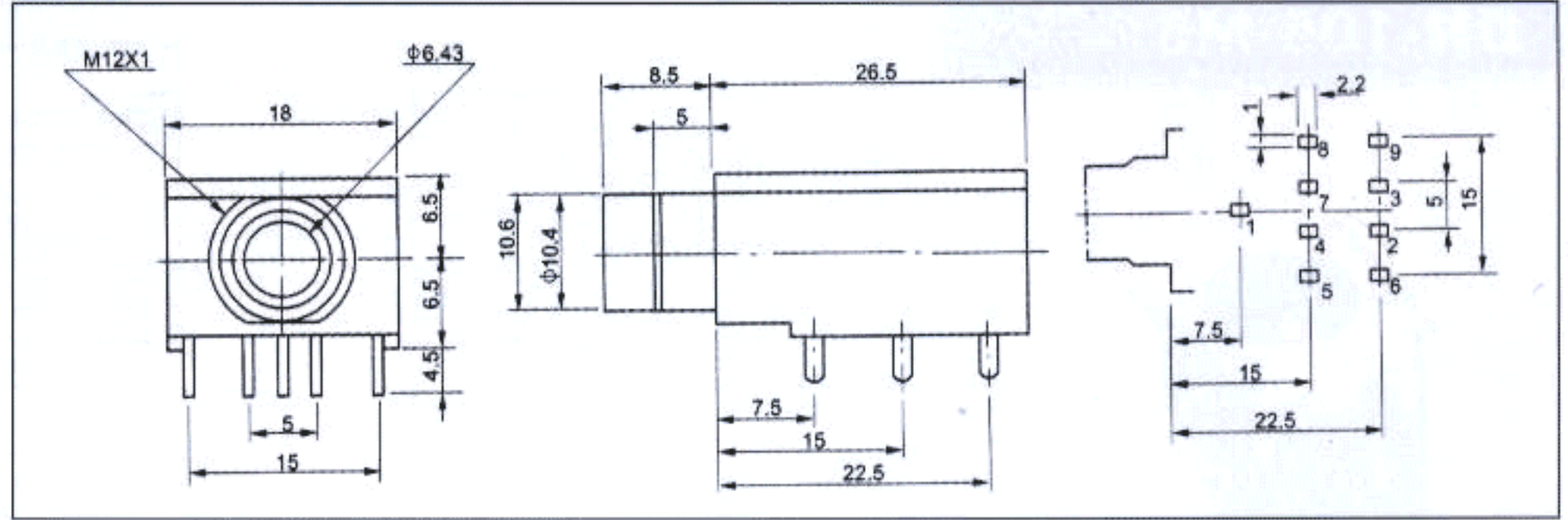
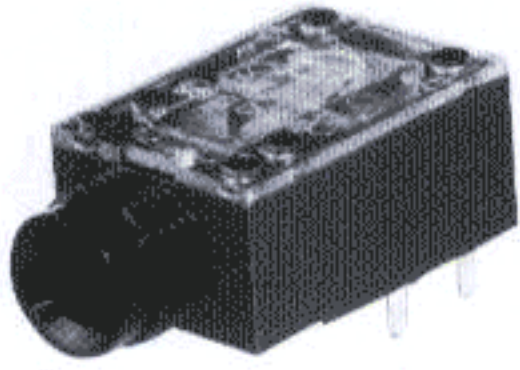
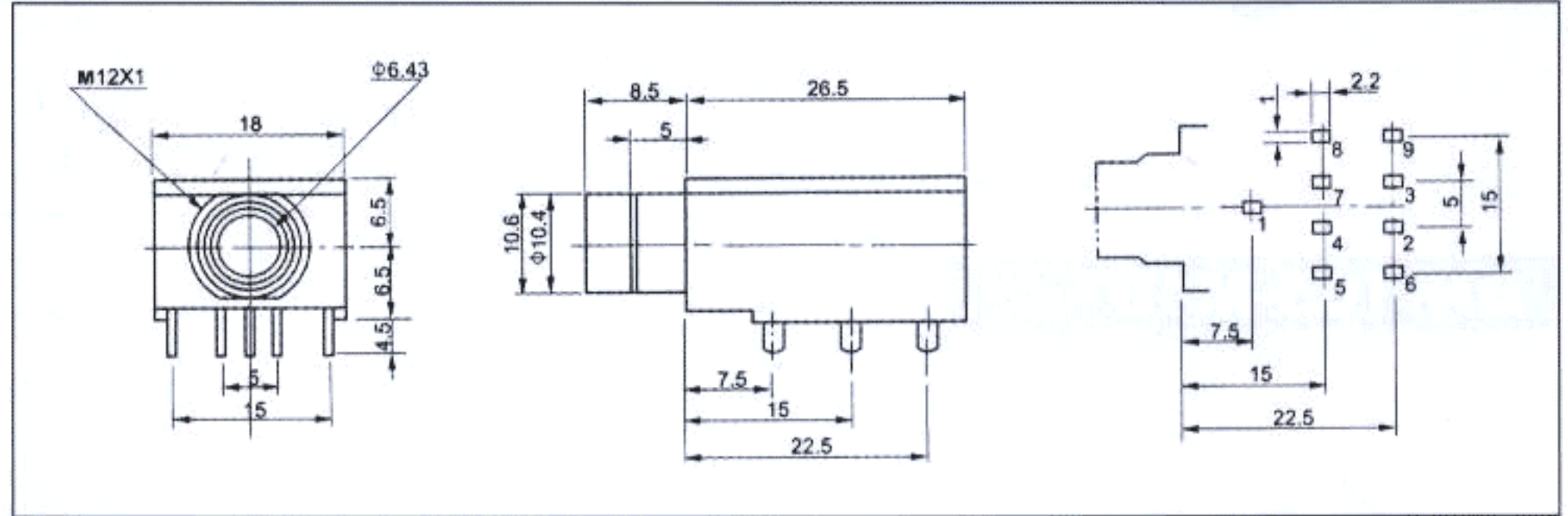
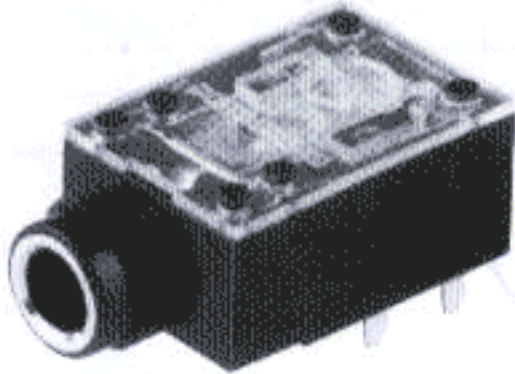


# 6.35mm PHONE JACKS

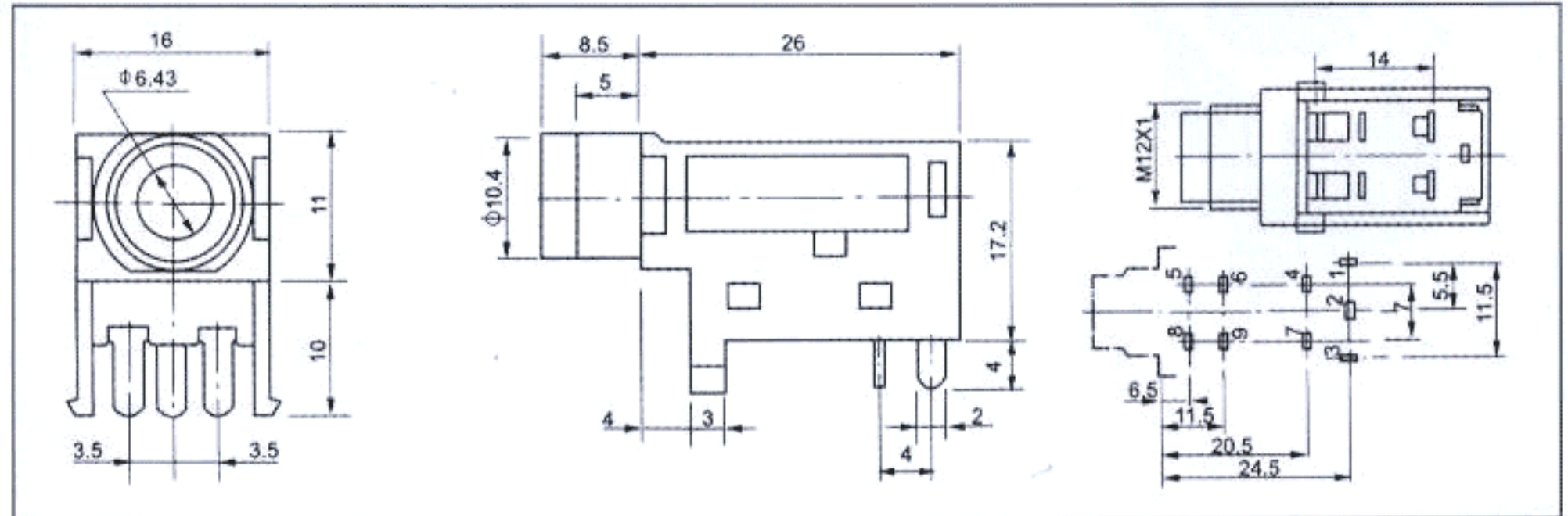
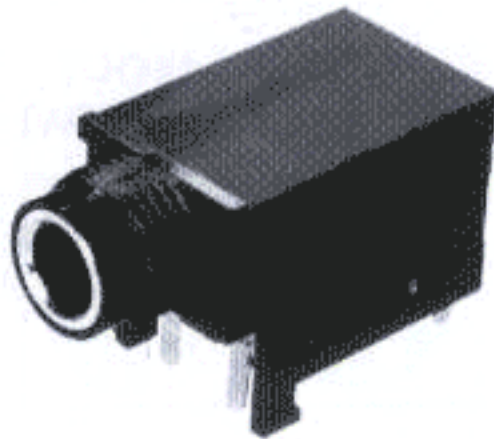
**ST-002M**



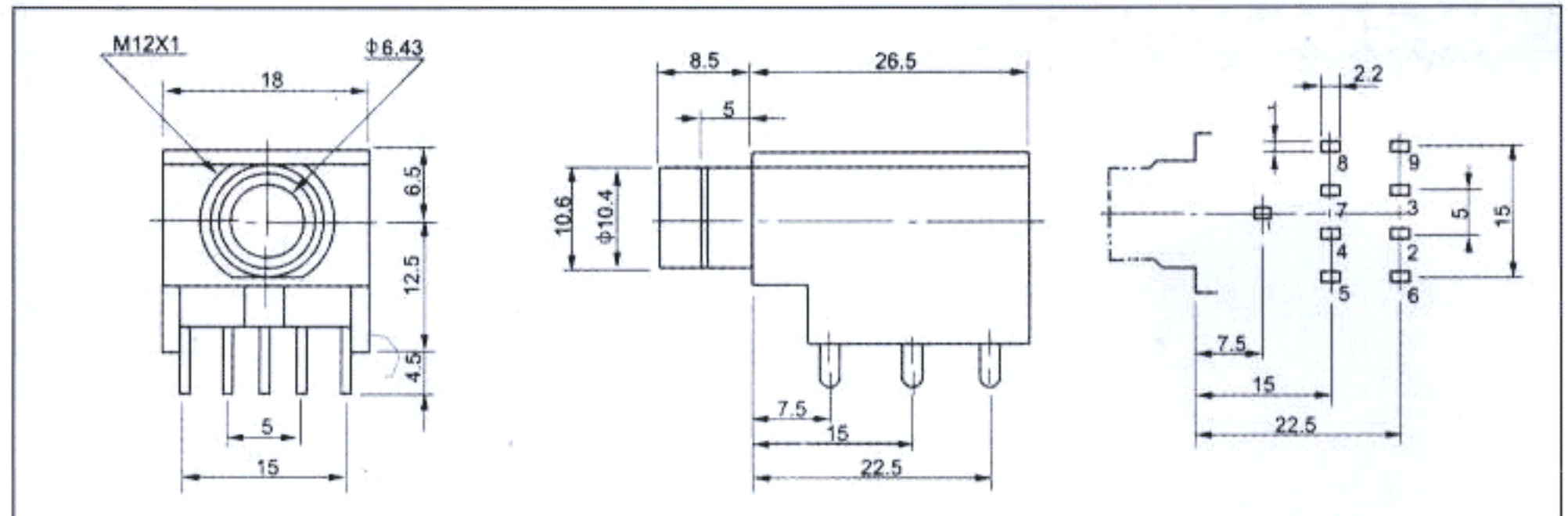
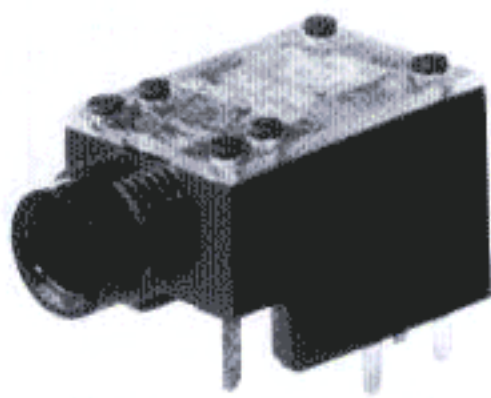
**ST-002S**



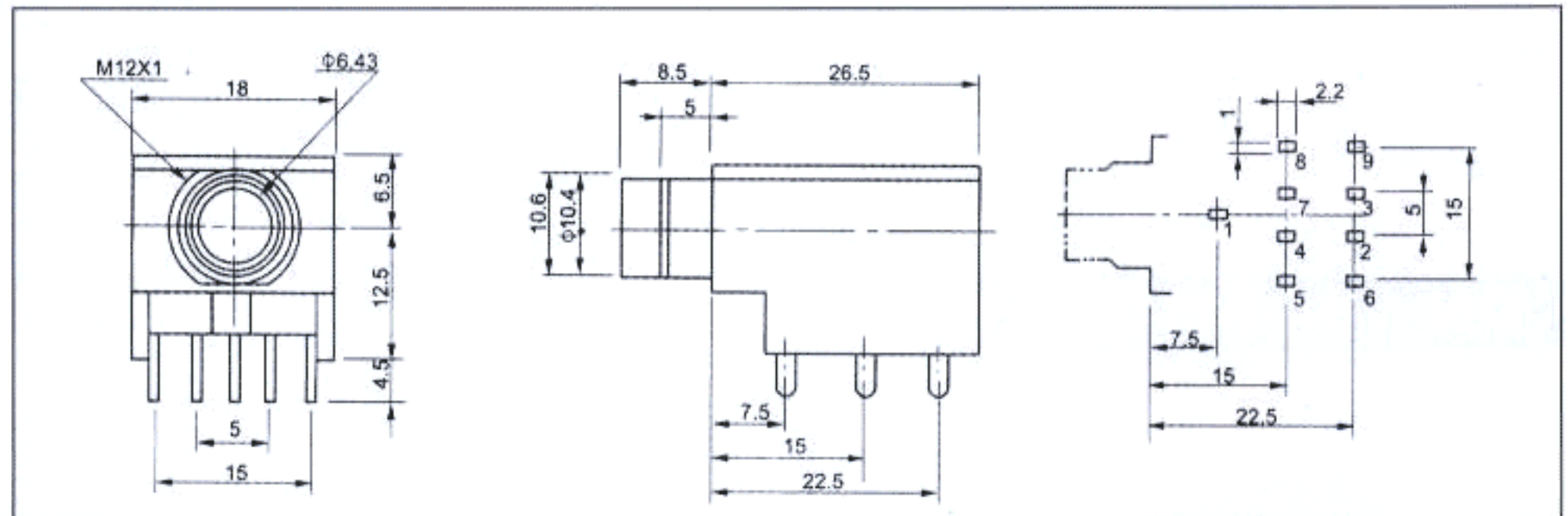
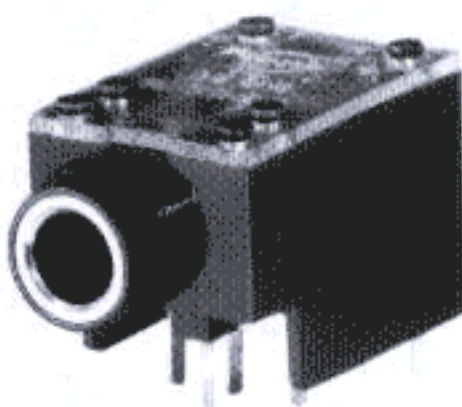
**ST-003S**



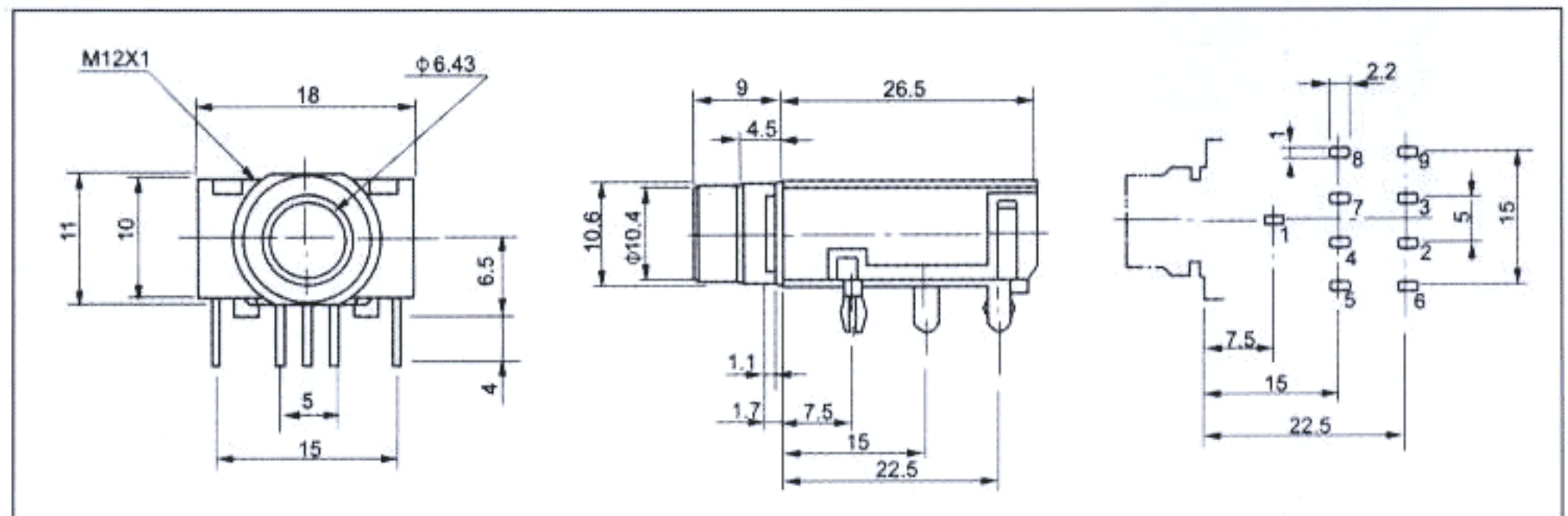
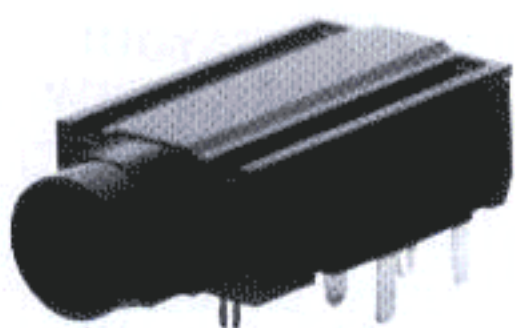
**ST-004M**



**ST-004S**



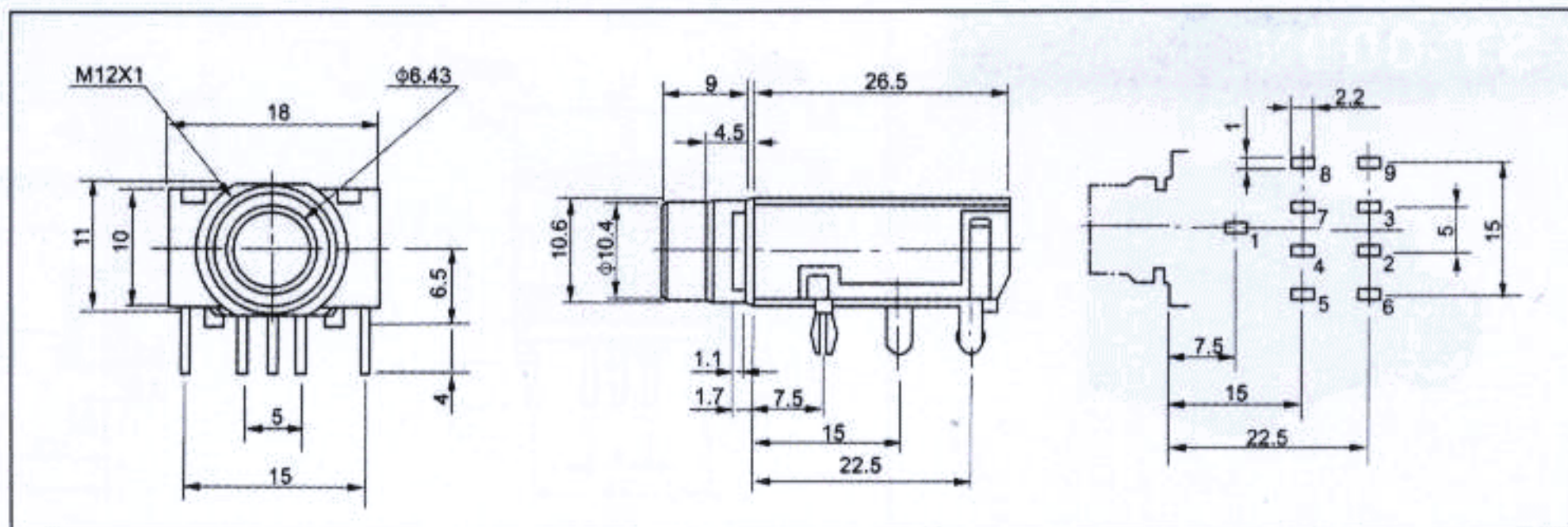
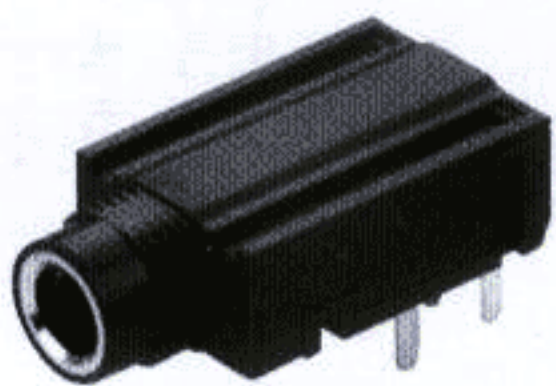
**ST-005M**



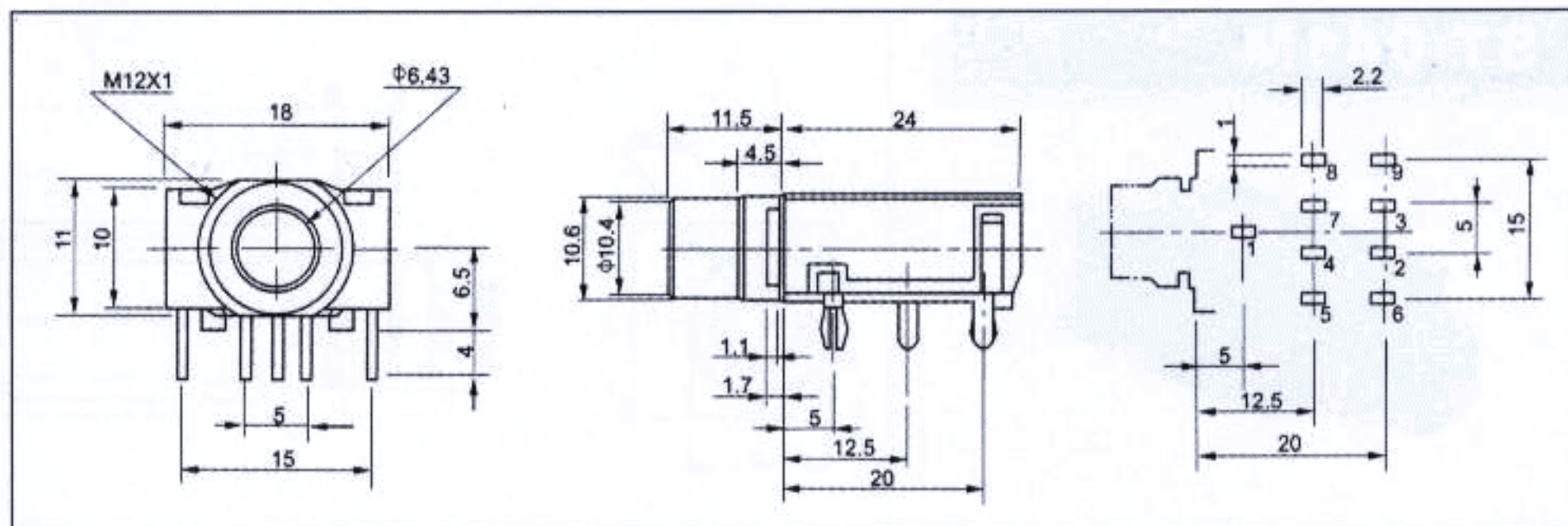
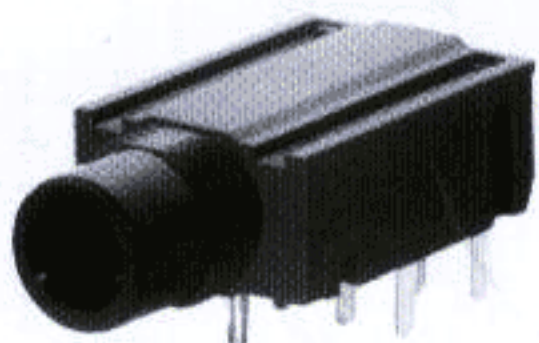


# 6.35mm PHONE JACKS

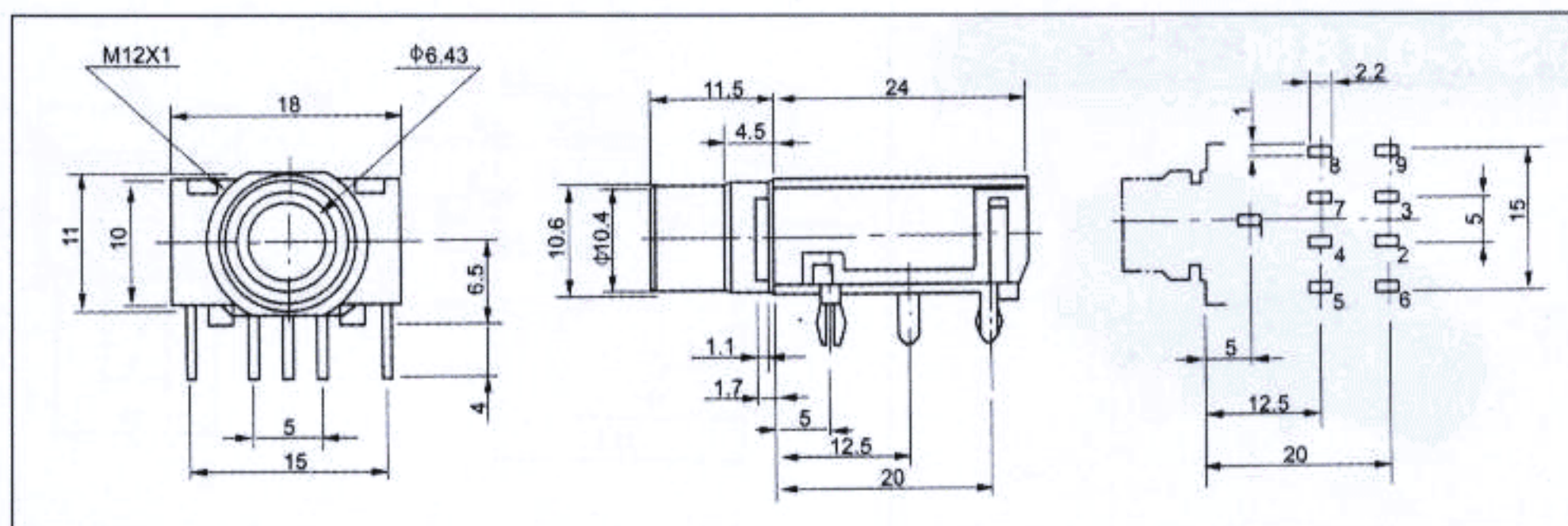
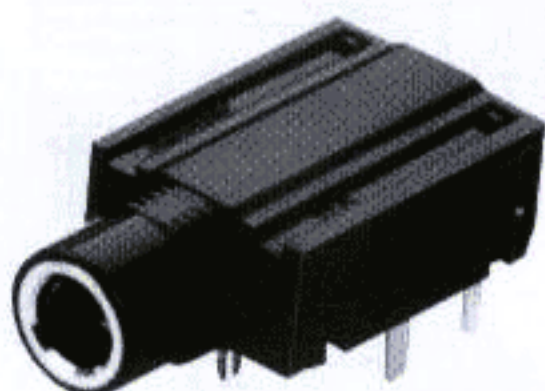
**ST-005S**



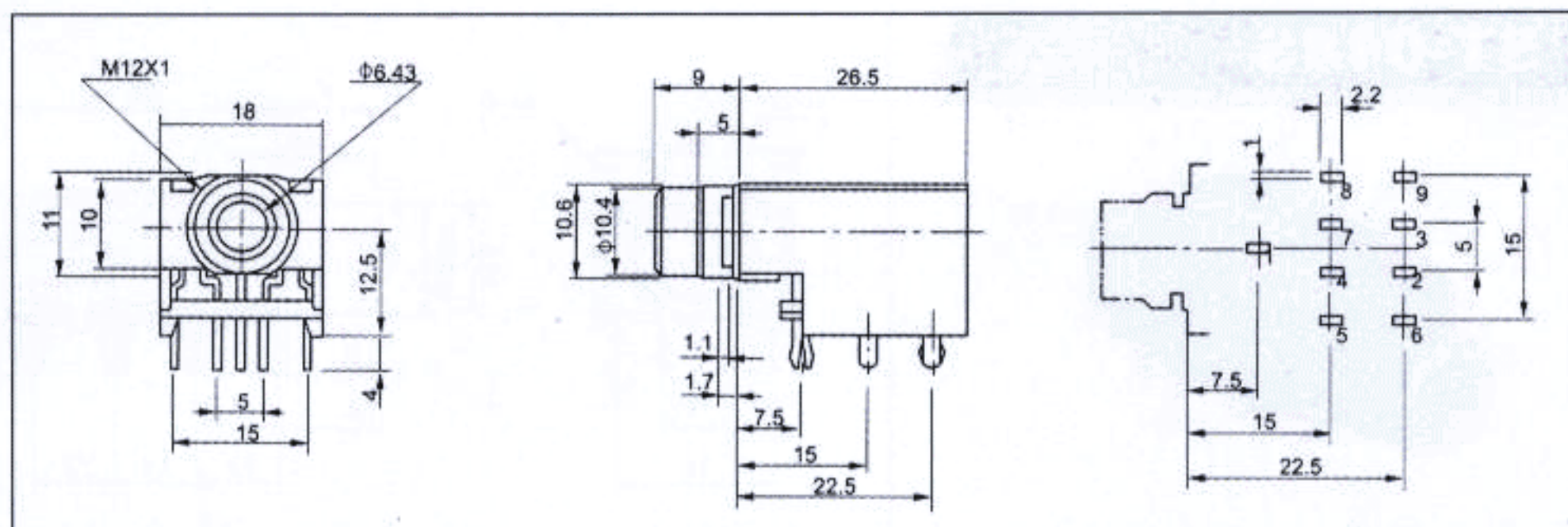
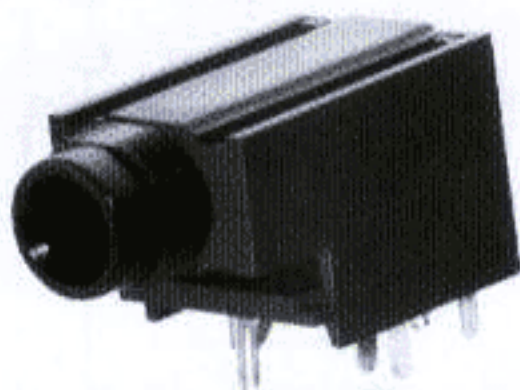
**ST-016M**



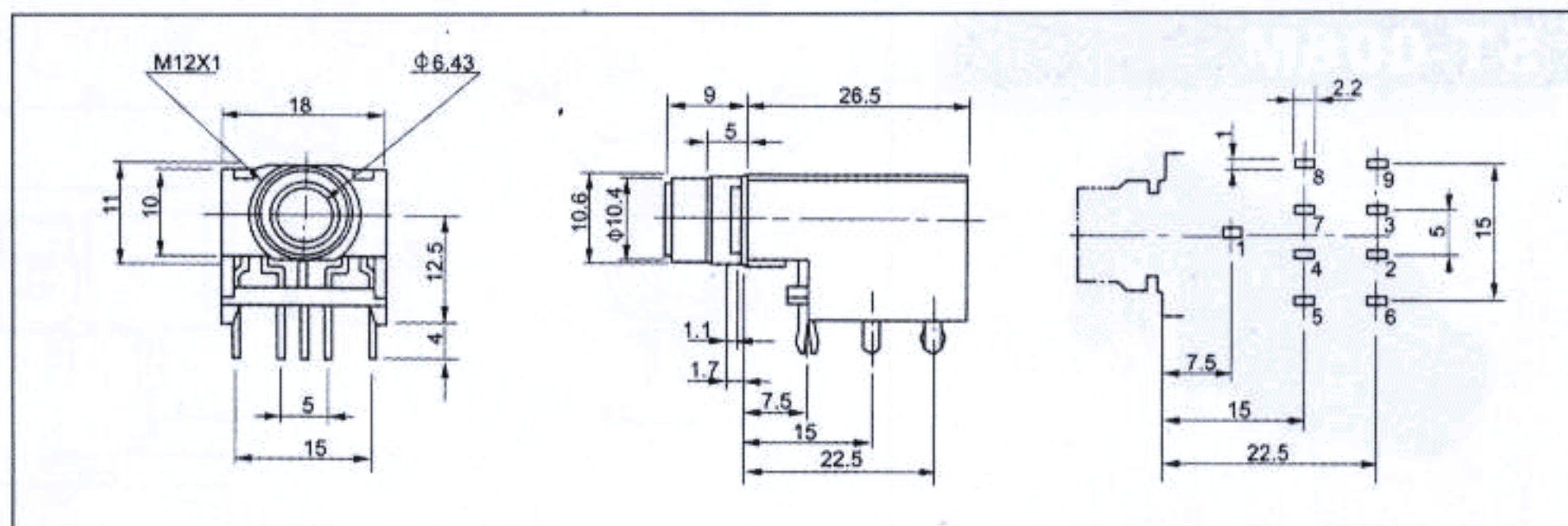
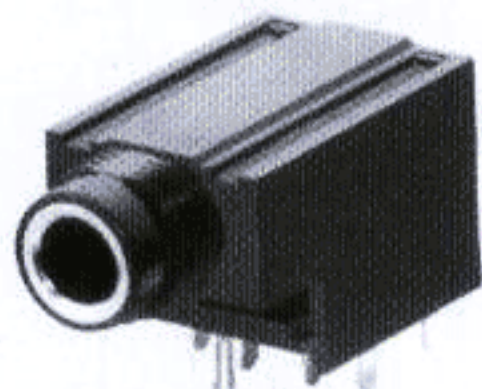
**ST-016S**



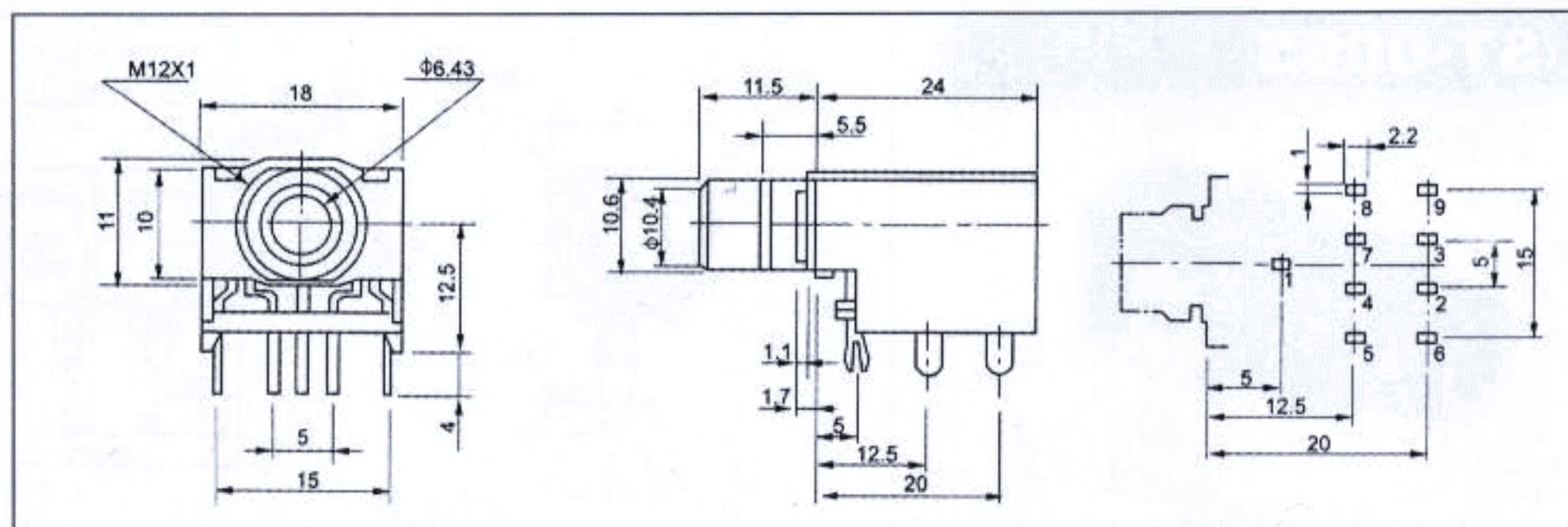
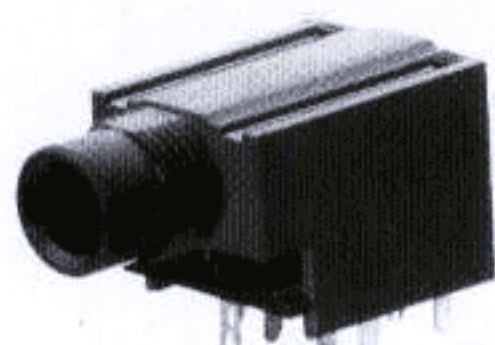
**ST-017M**



**ST-017S**



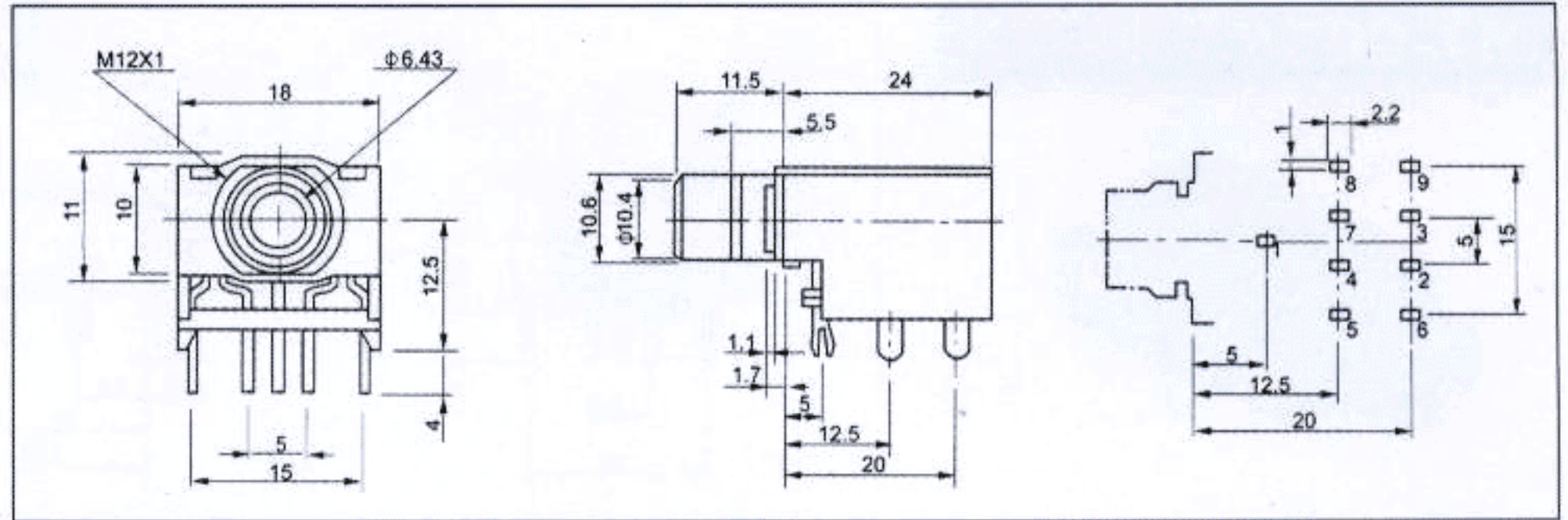
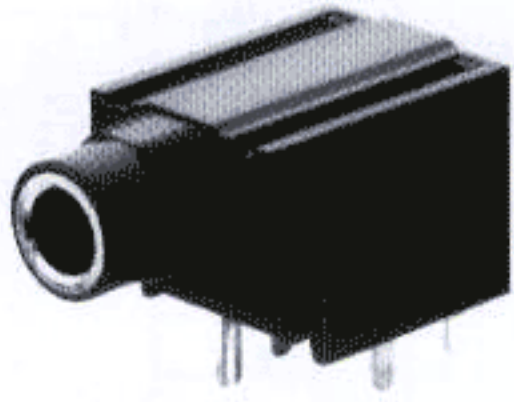
**ST-009M**



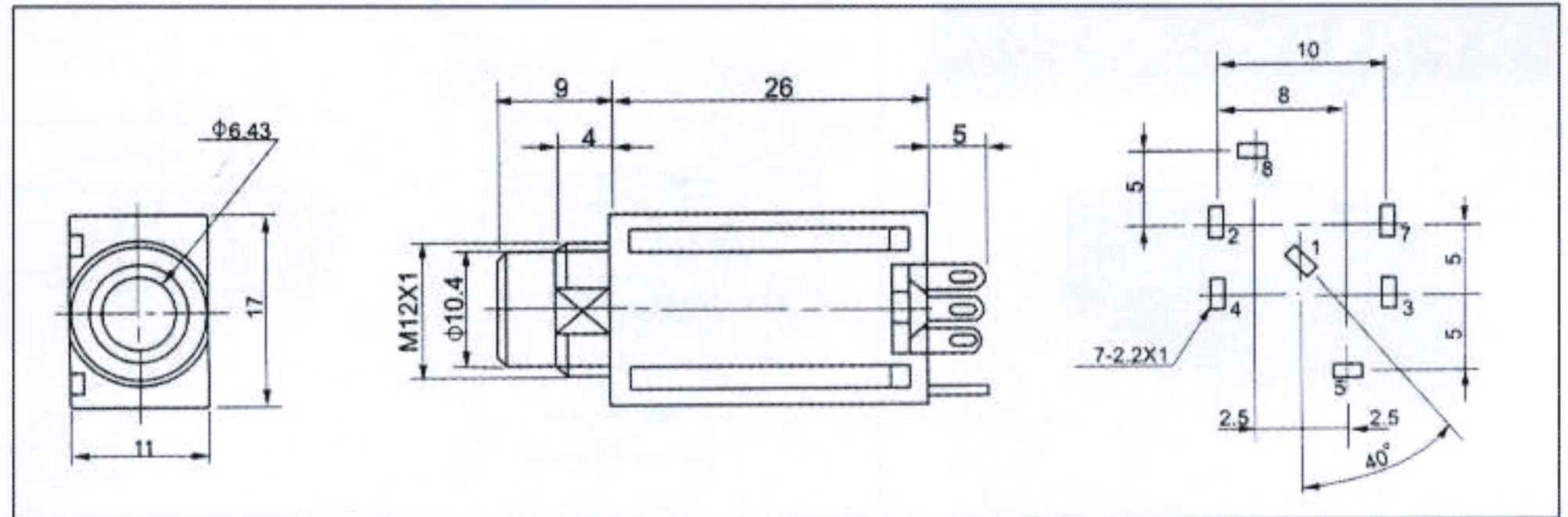
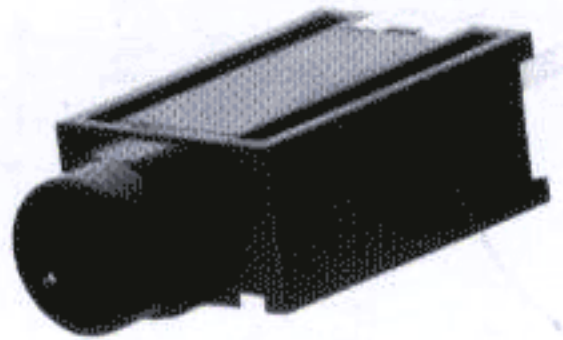


# 6.35mm PHONE JACKS

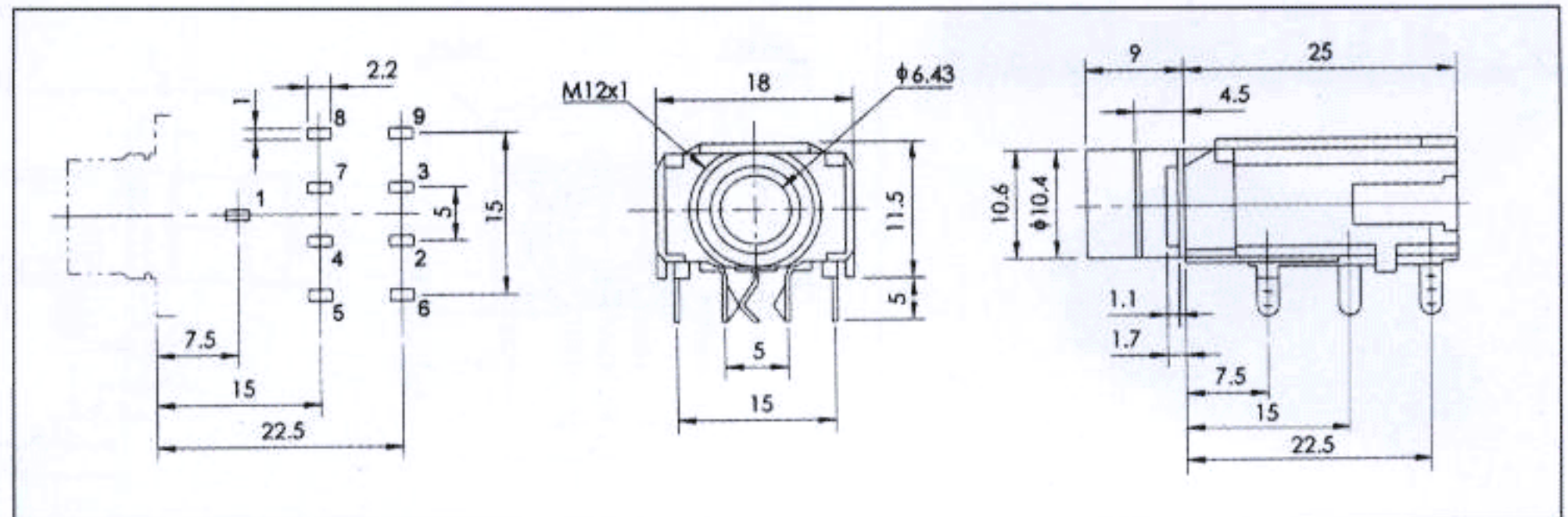
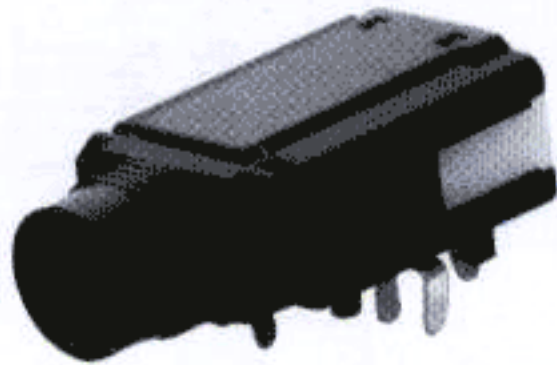
**ST-009S**



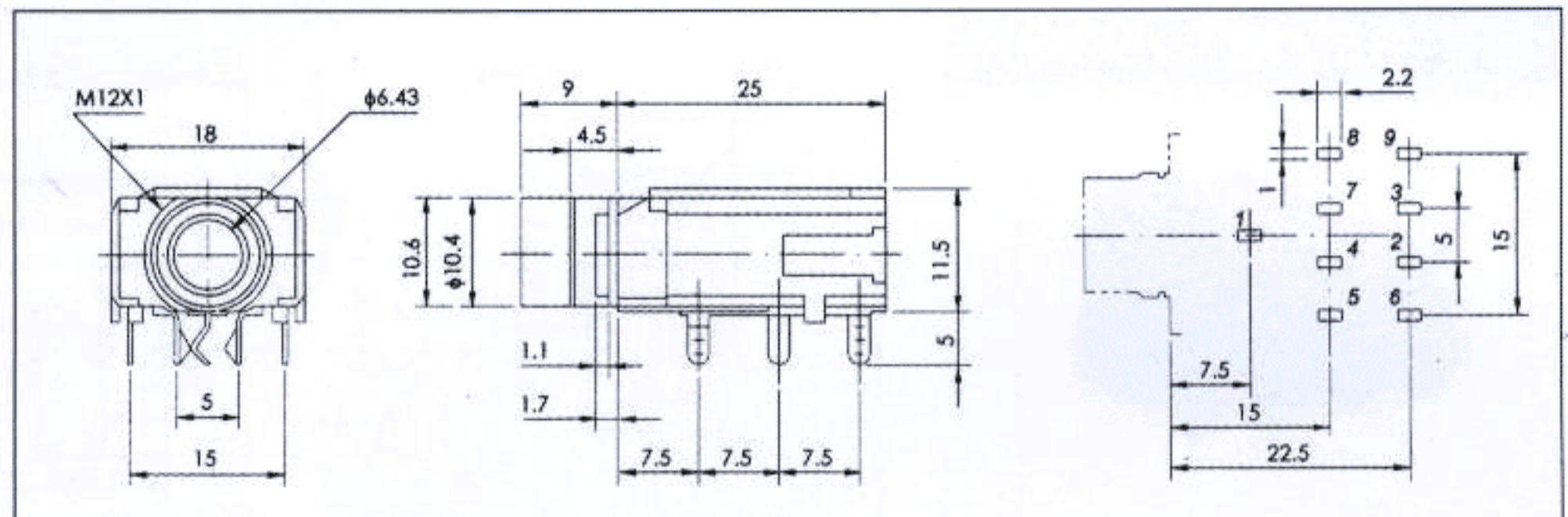
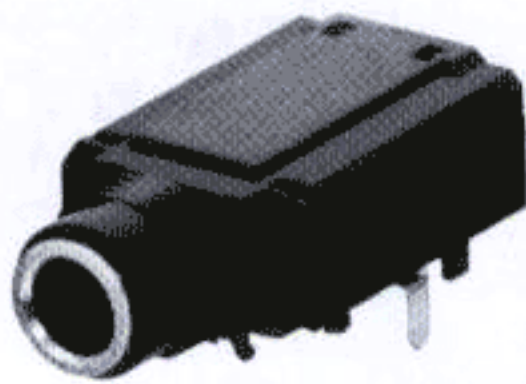
**ST-041M**



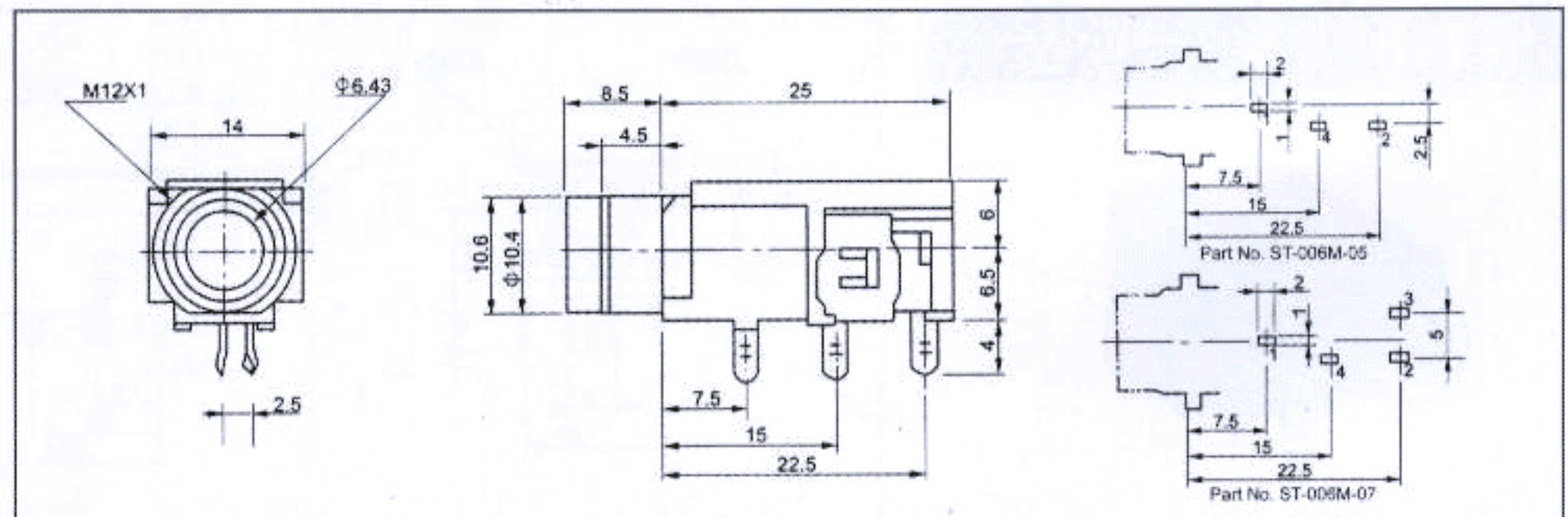
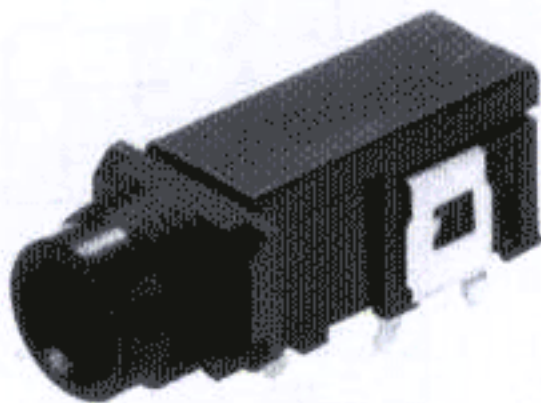
**ST-018M**



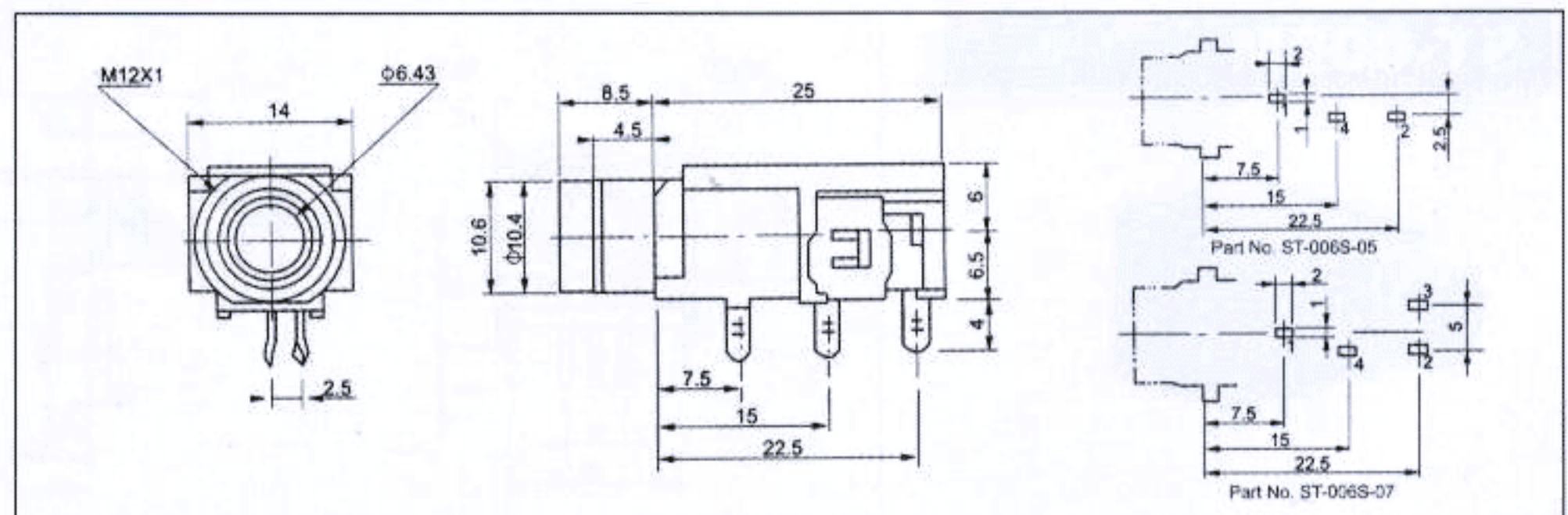
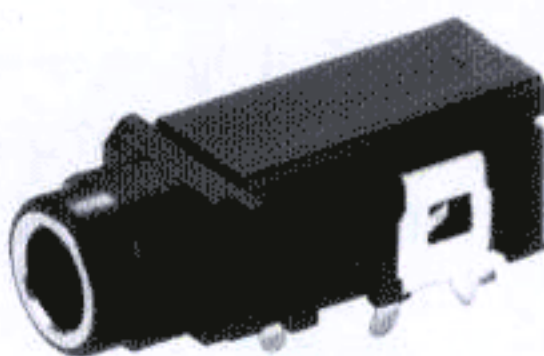
**ST-018S**



**ST-006M**



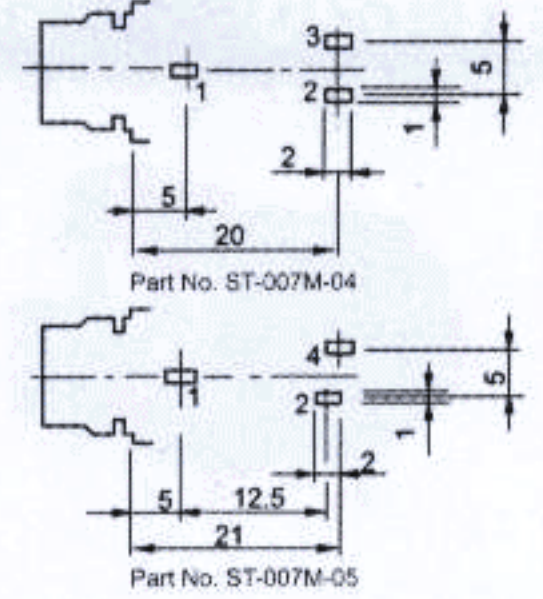
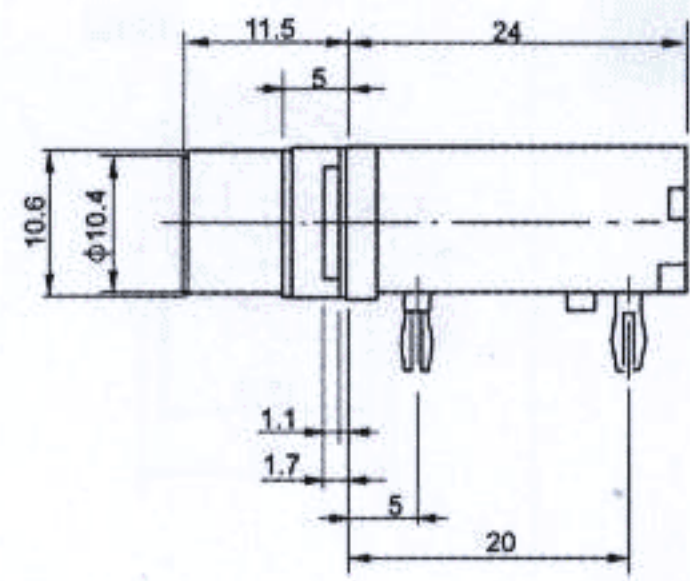
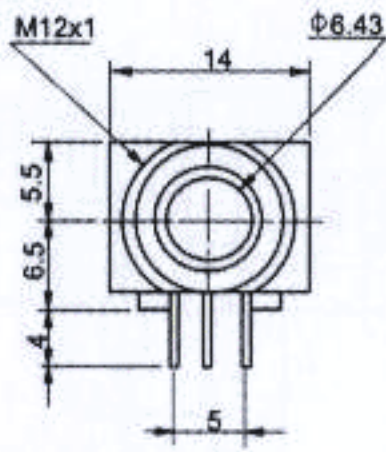
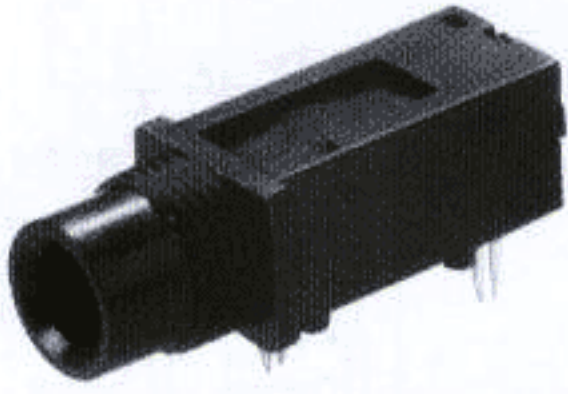
**ST-006S**



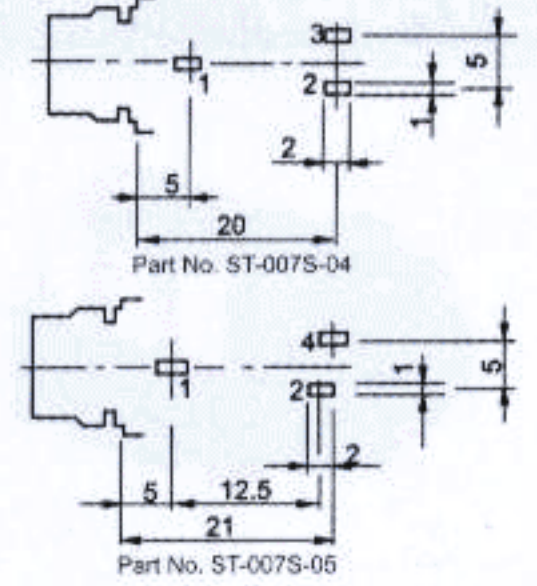
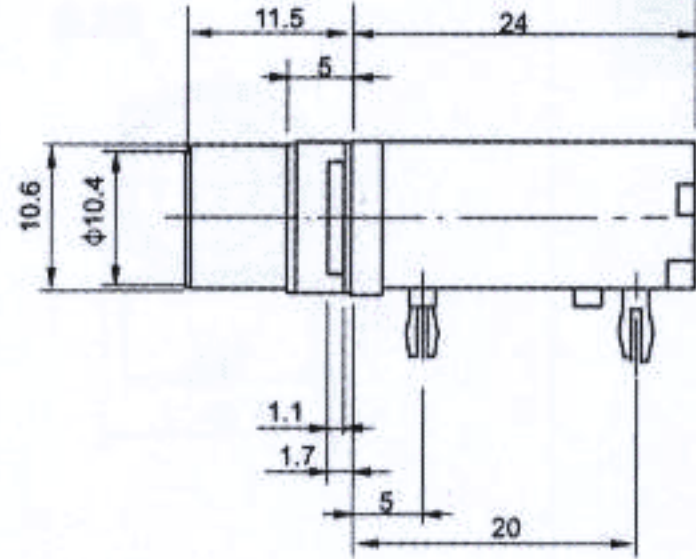
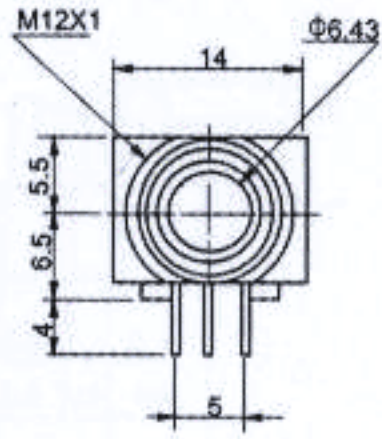
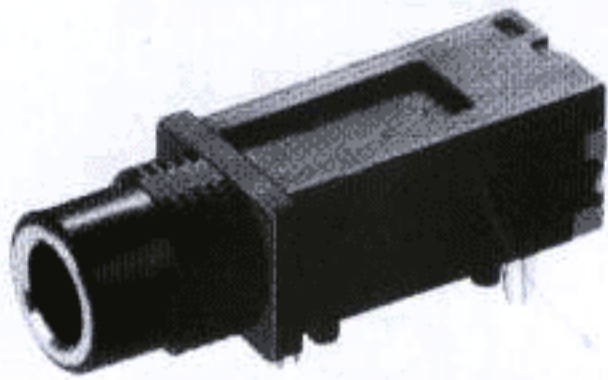


# 6.35mm PHONE JACKS

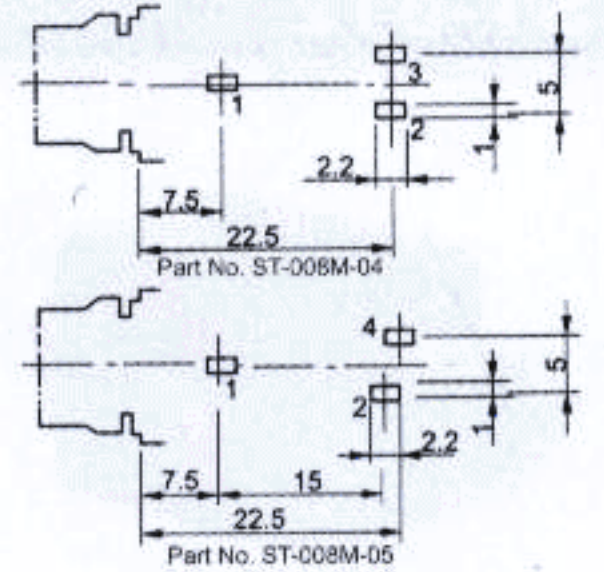
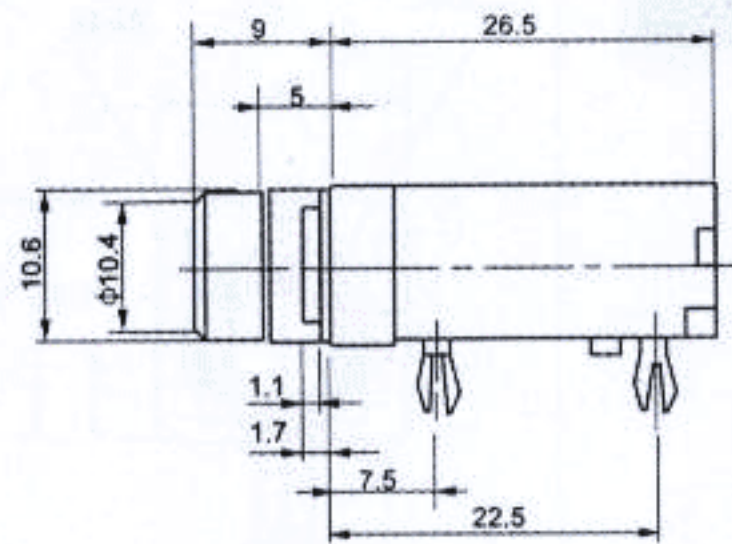
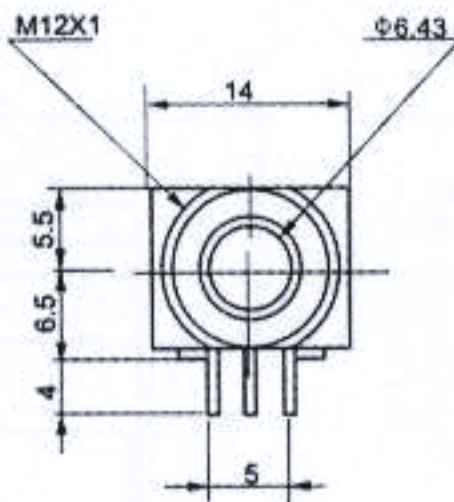
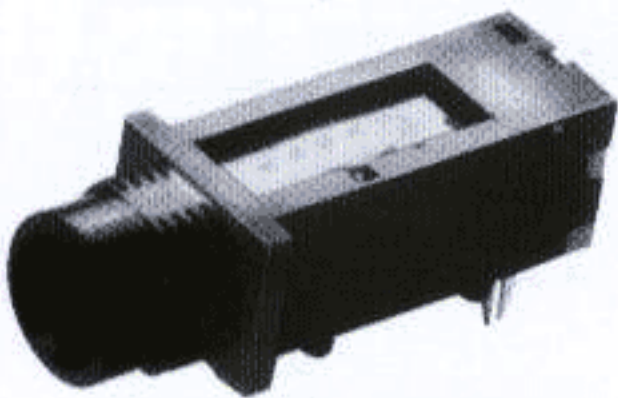
**ST-007M**



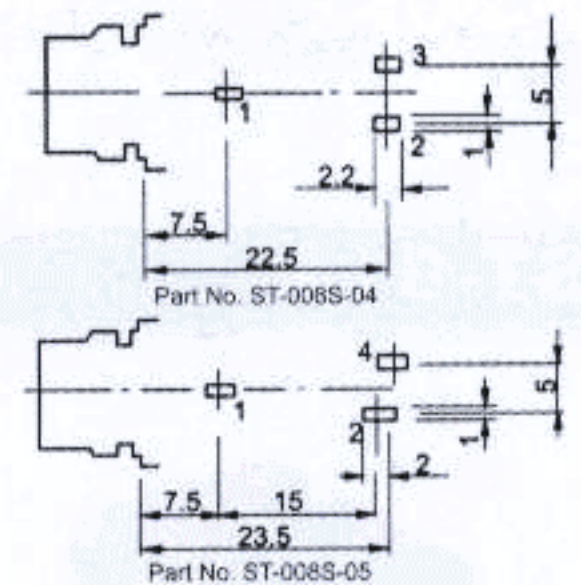
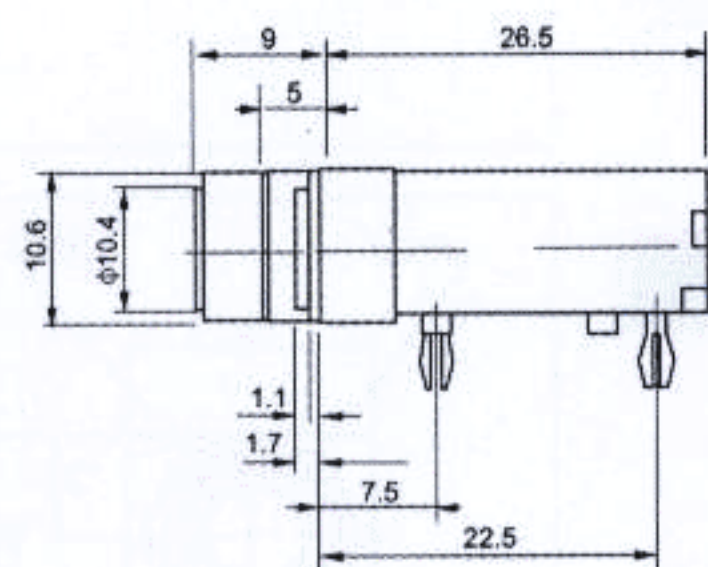
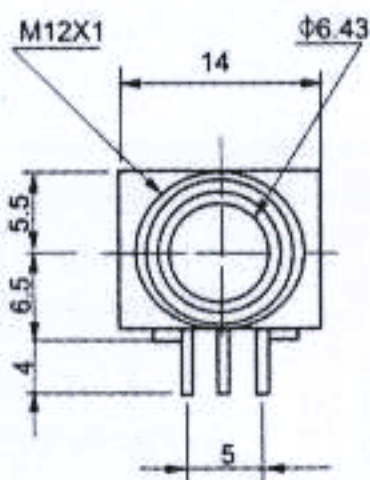
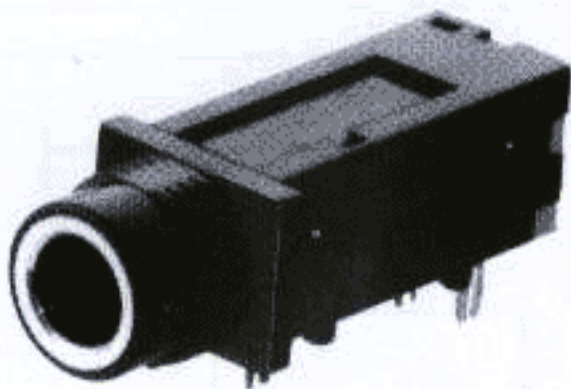
**ST-007S**



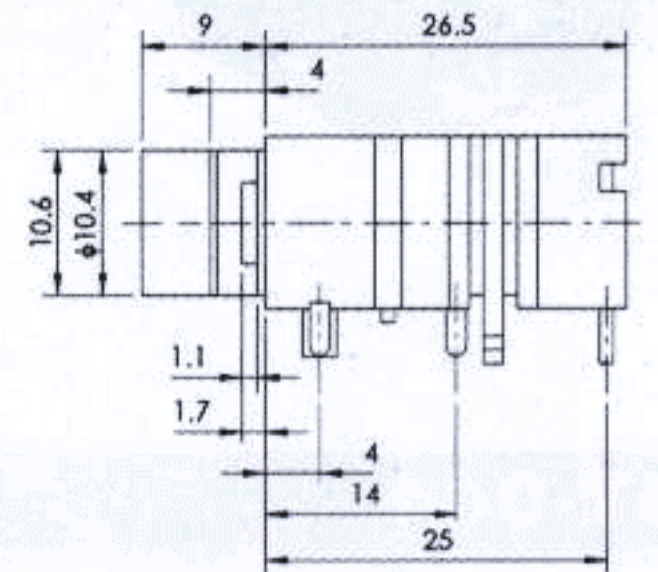
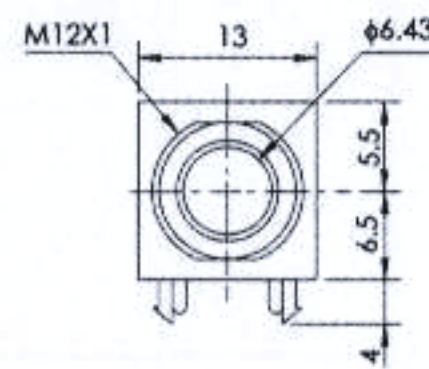
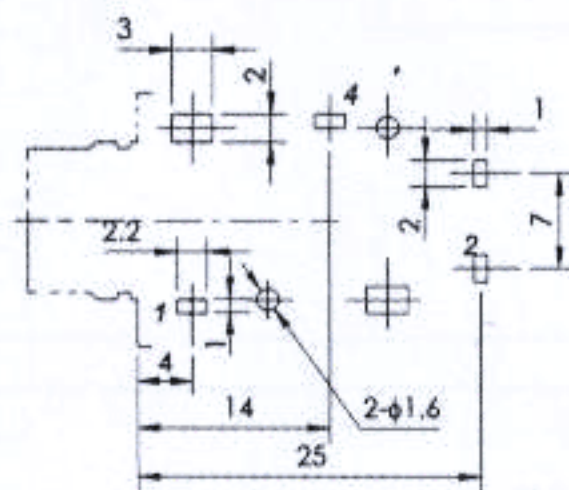
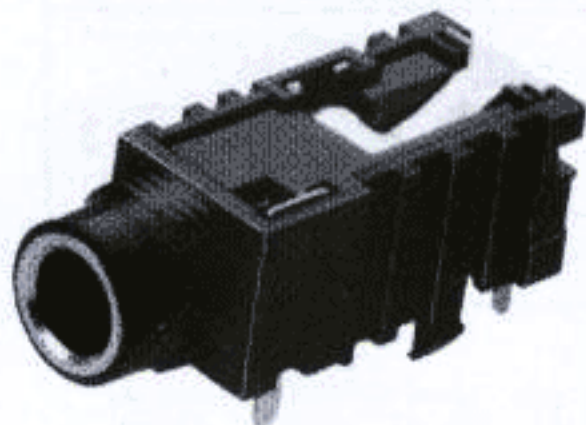
**ST-008M**



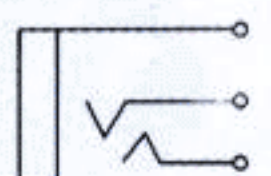
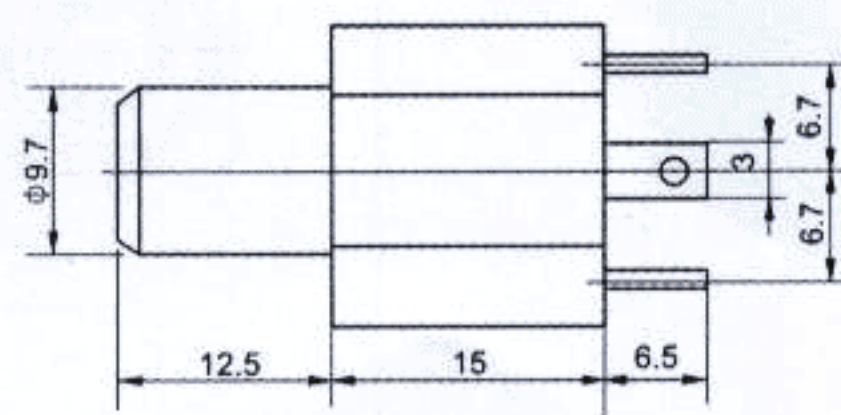
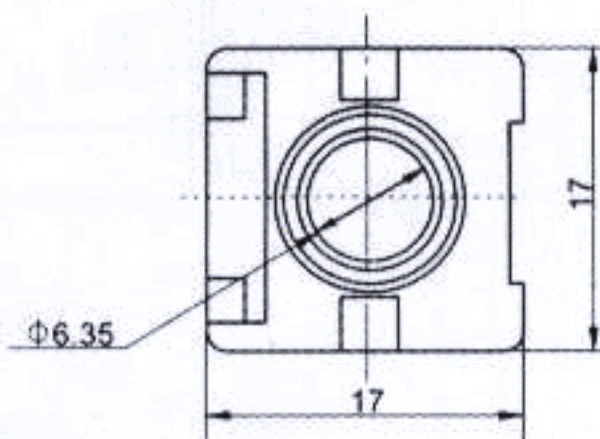
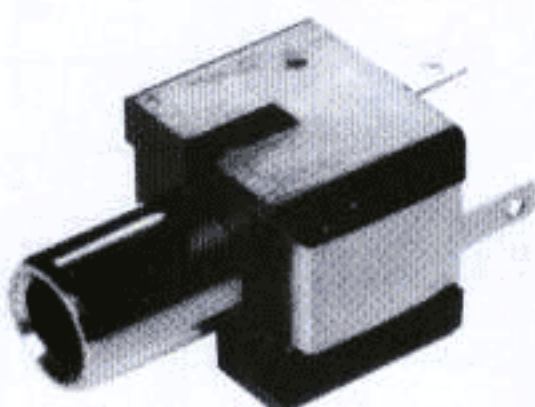
**ST-008S**



**ST-019S**



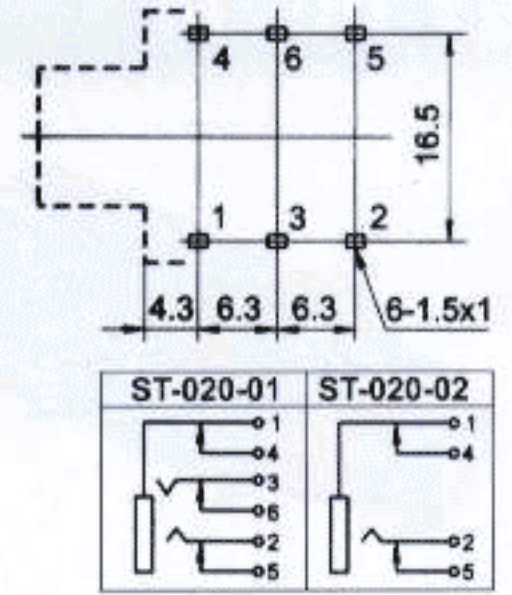
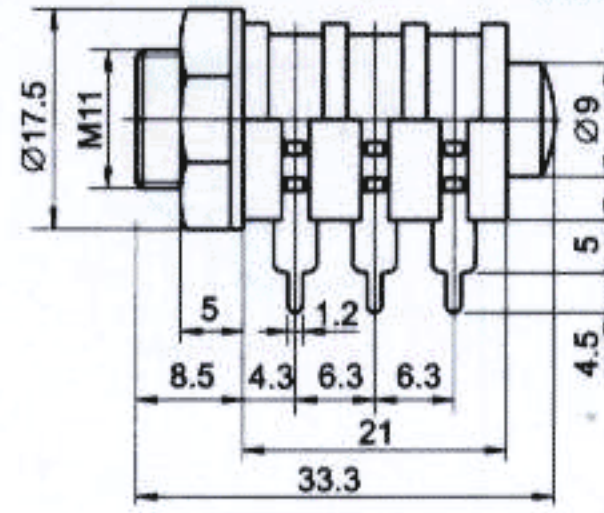
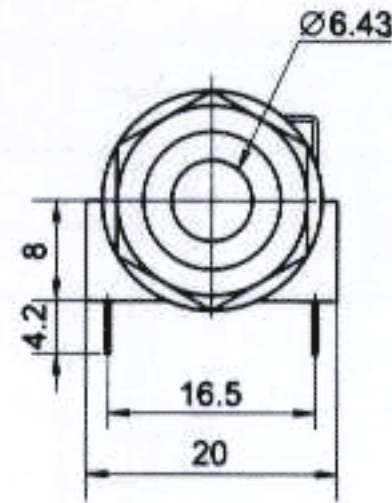
**ST-043**



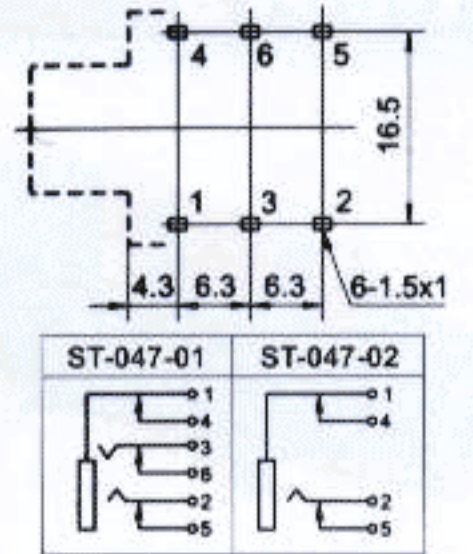
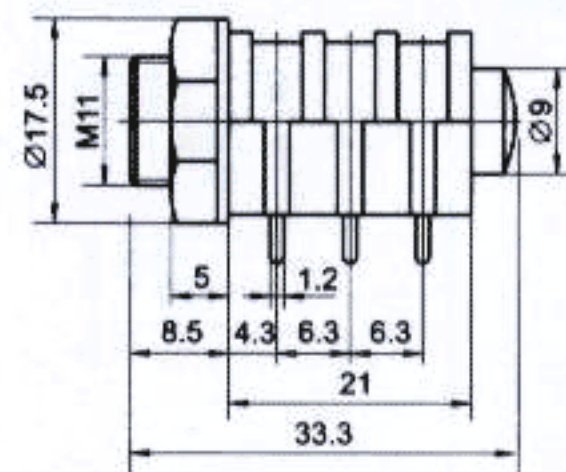
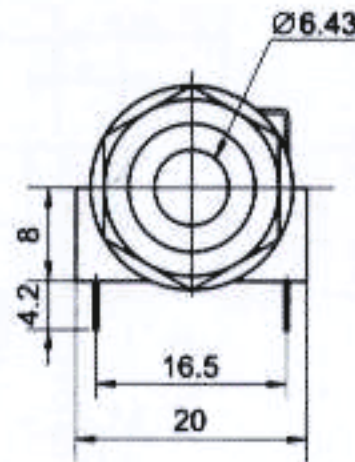
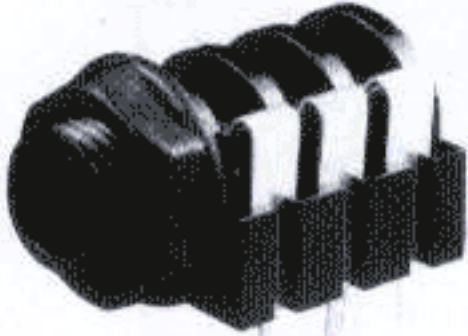


# 6.35mm PHONE JACKS

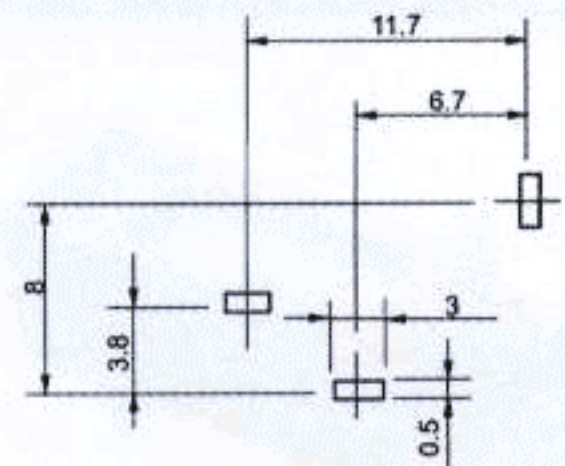
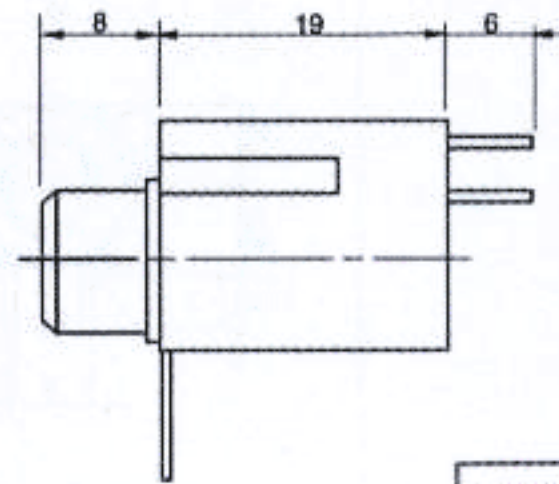
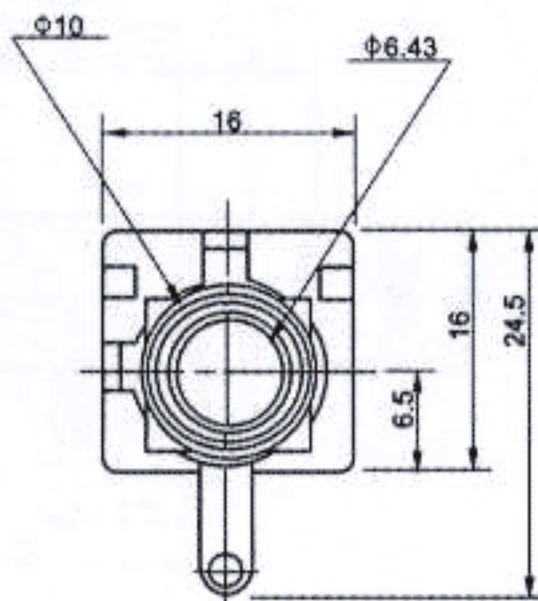
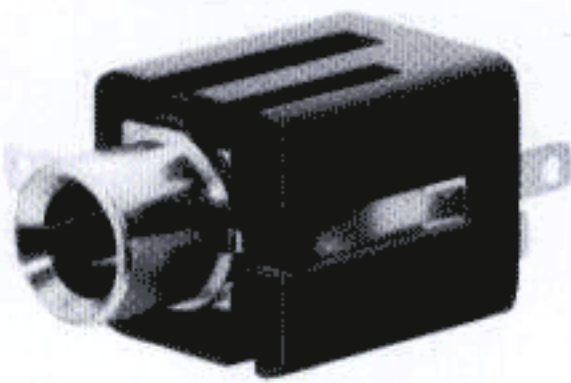
## ST-020



## ST-047

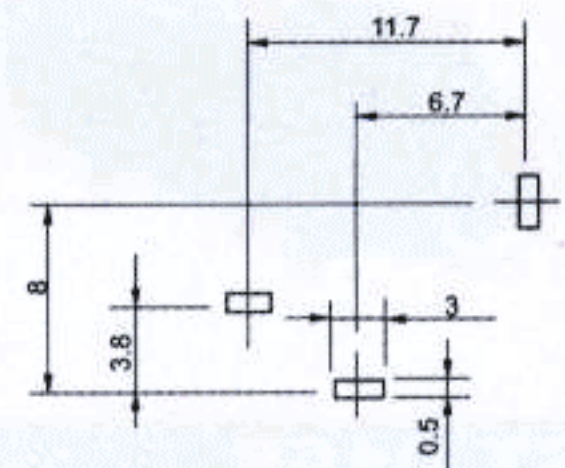
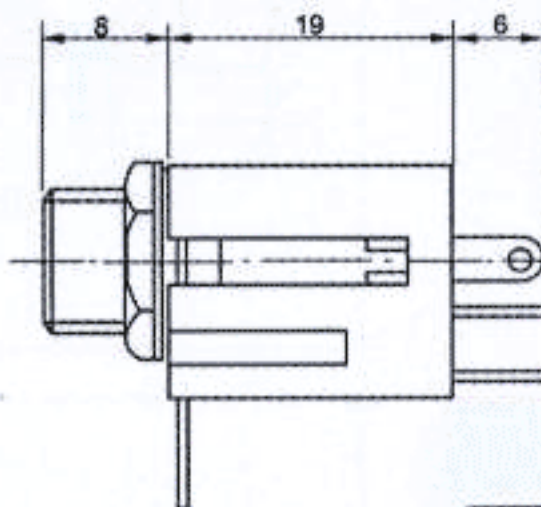
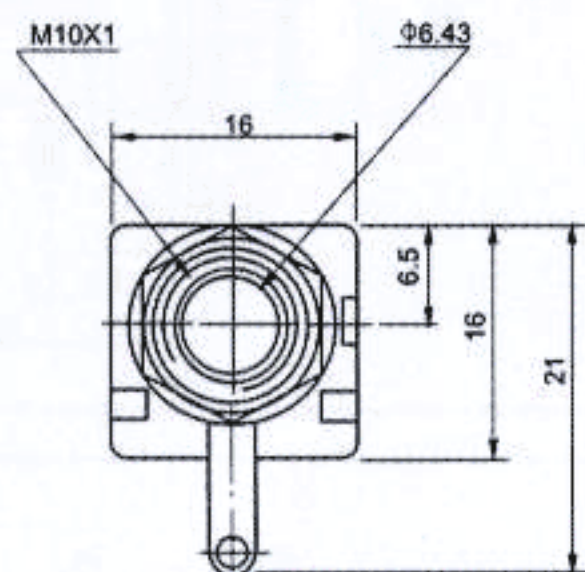
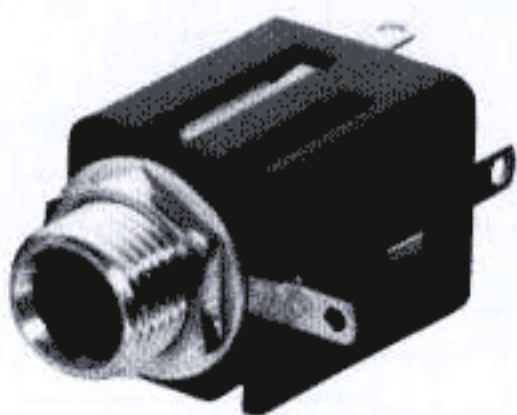


## ST-012



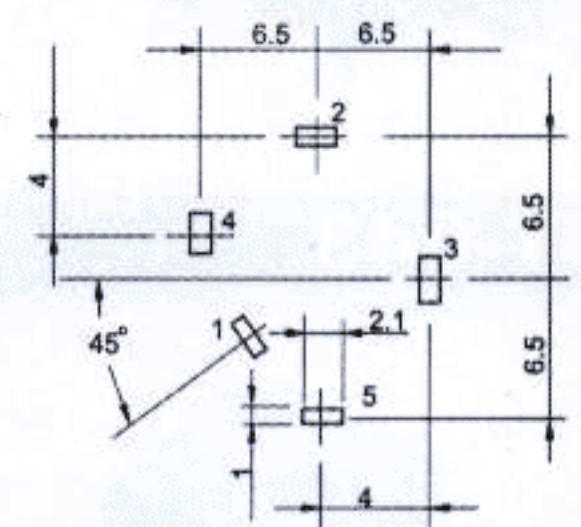
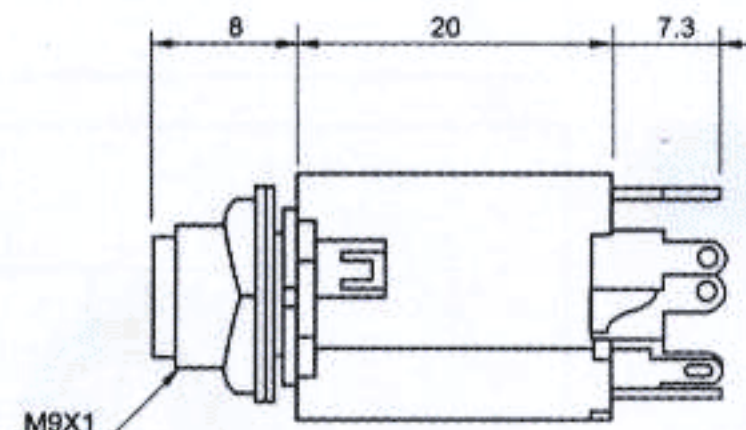
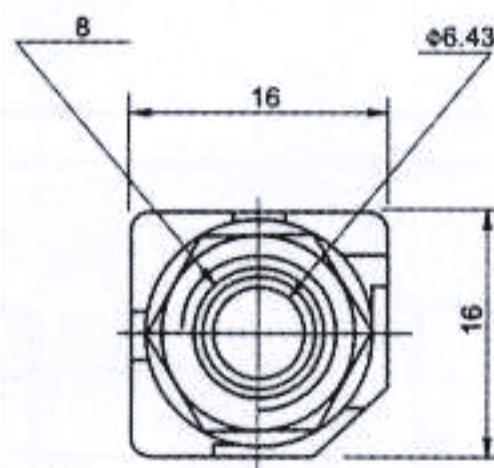
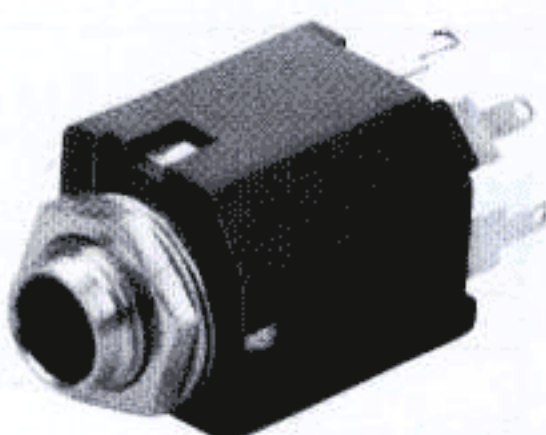
Model No.	ST-012-05	ST-012-07
Schematic		

## ST-013



Model No.	ST-013-05	ST-013-07
Schematic		

## ST-044



Model No.	ST-044-01	ST-044-02	ST-044-03	ST-044-04
Schematic				

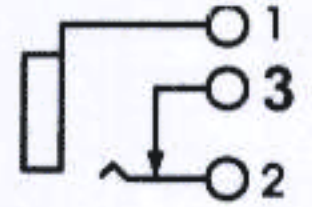
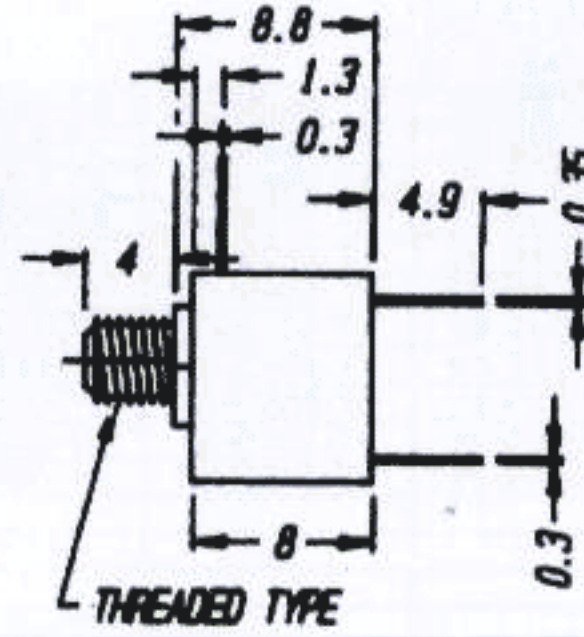
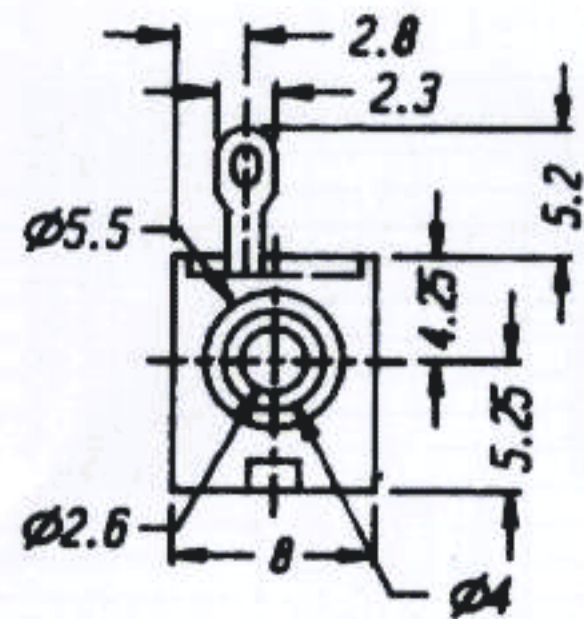
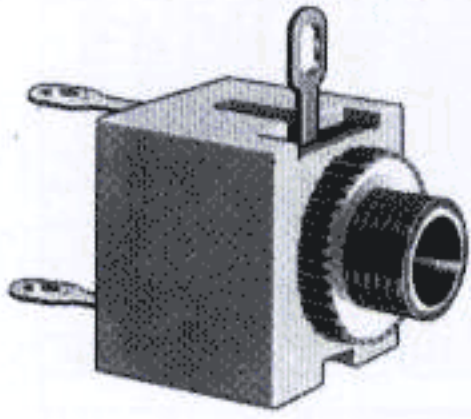




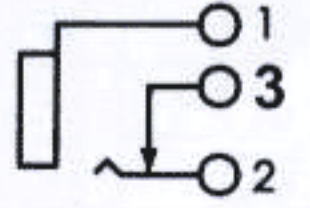
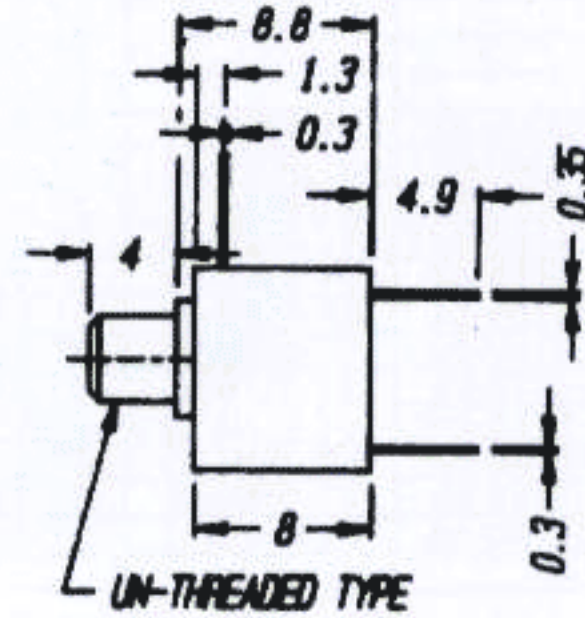
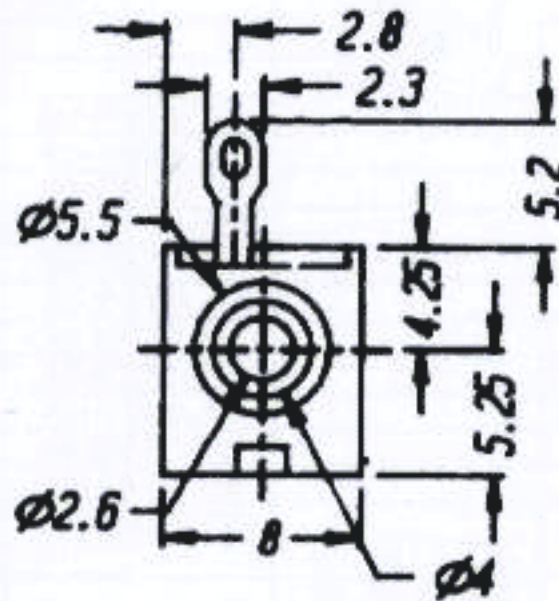
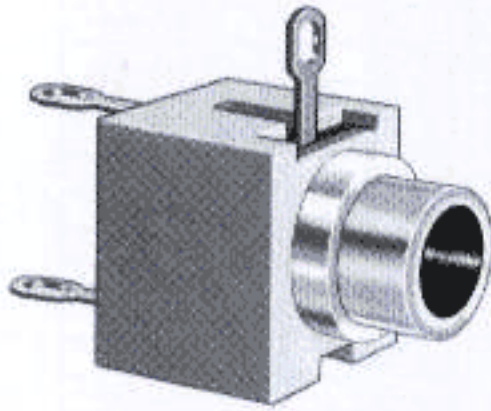


# MINIATURE PHONE JACKS

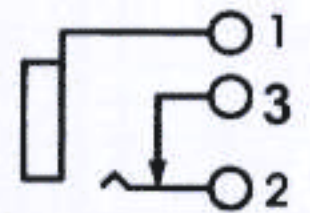
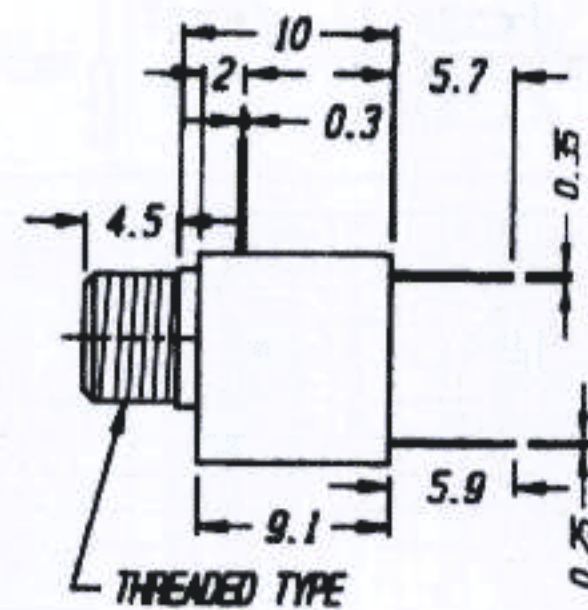
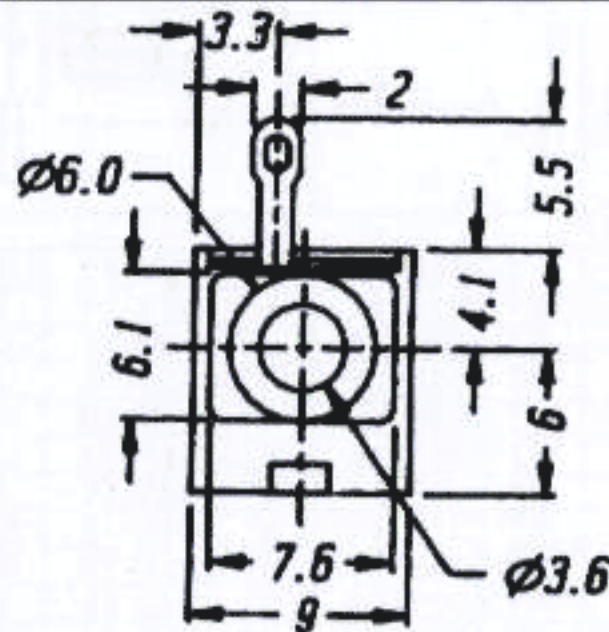
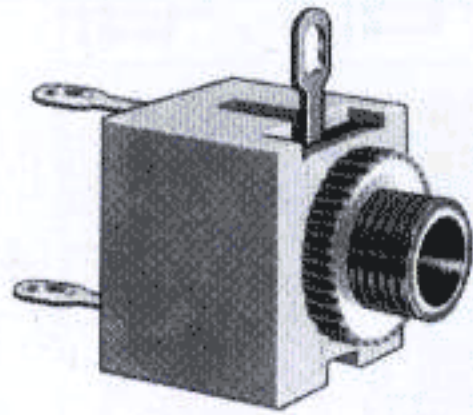
**EY-501C**



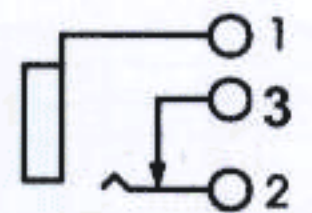
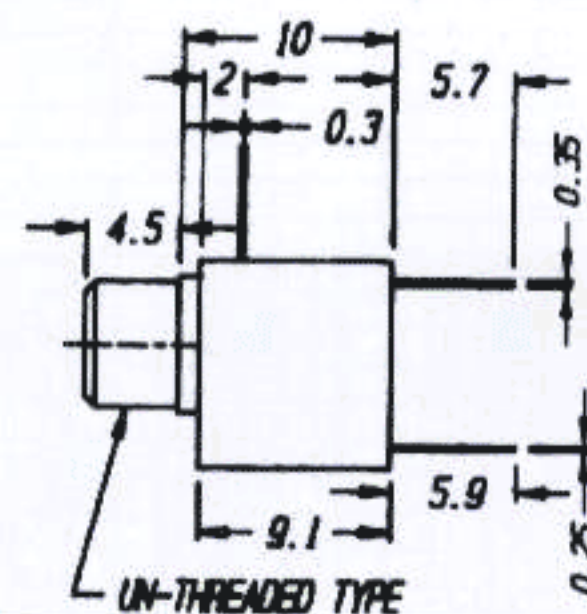
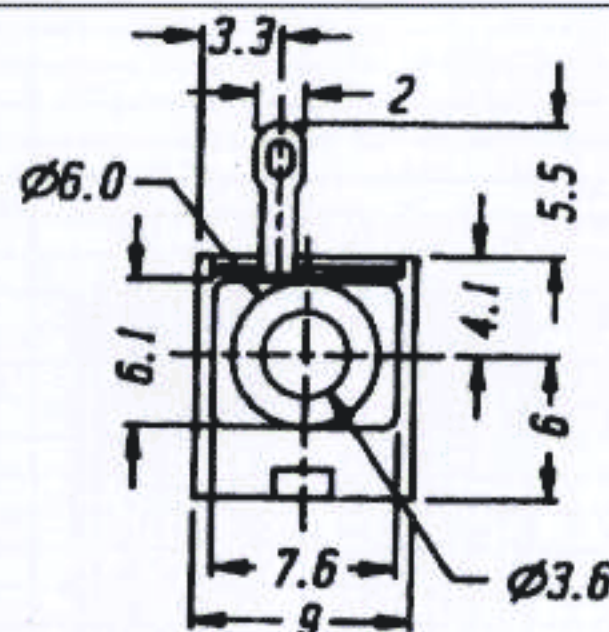
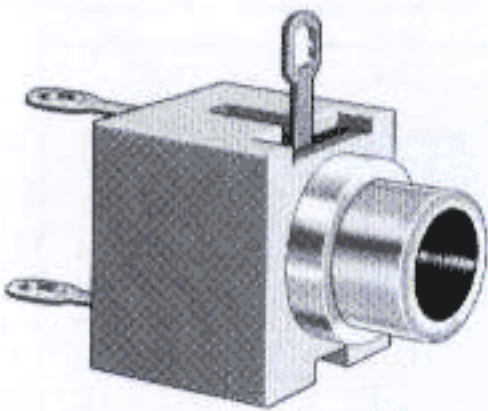
**EY-501N**



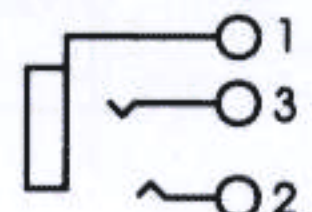
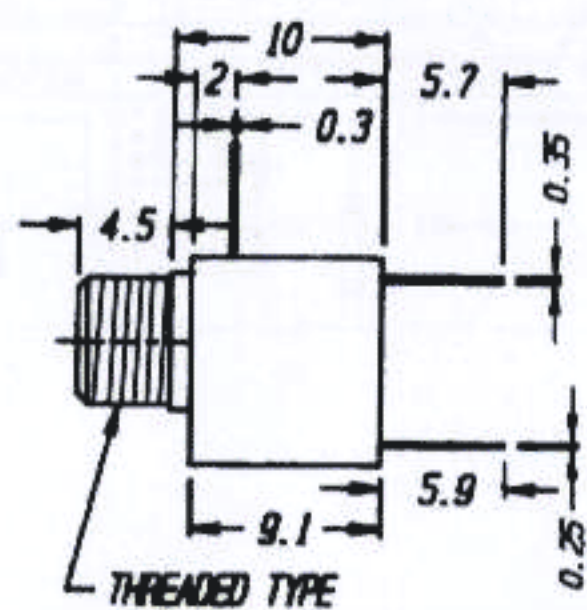
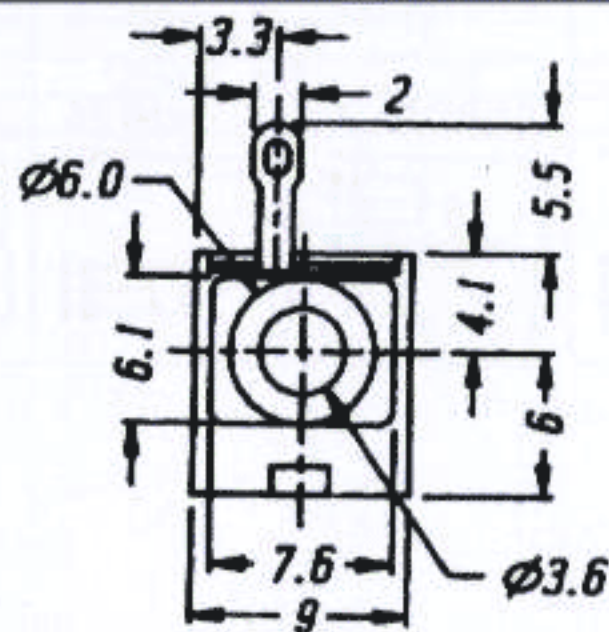
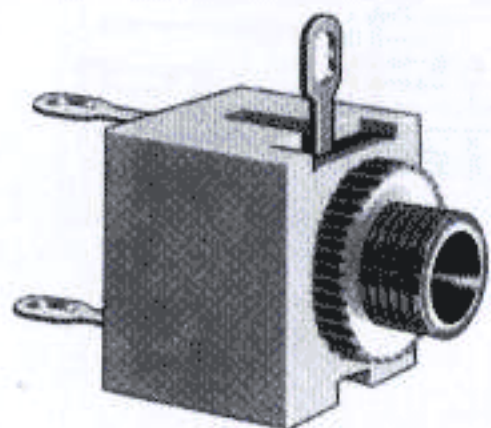
**EY-502C**



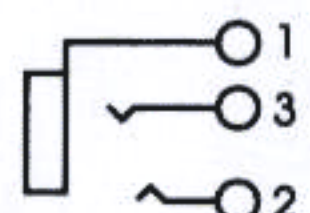
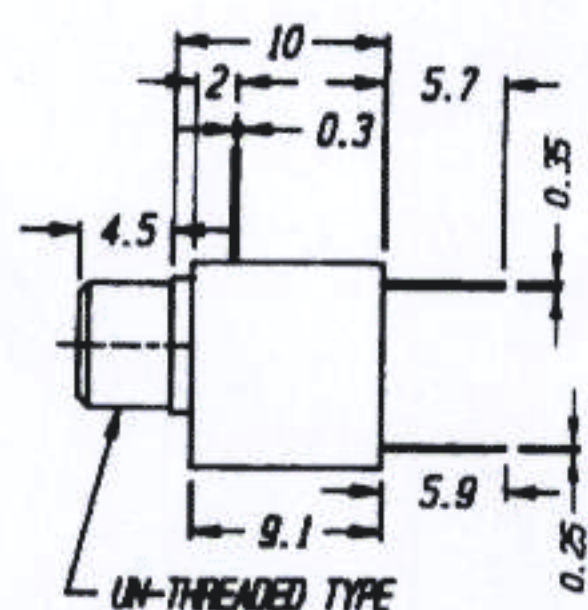
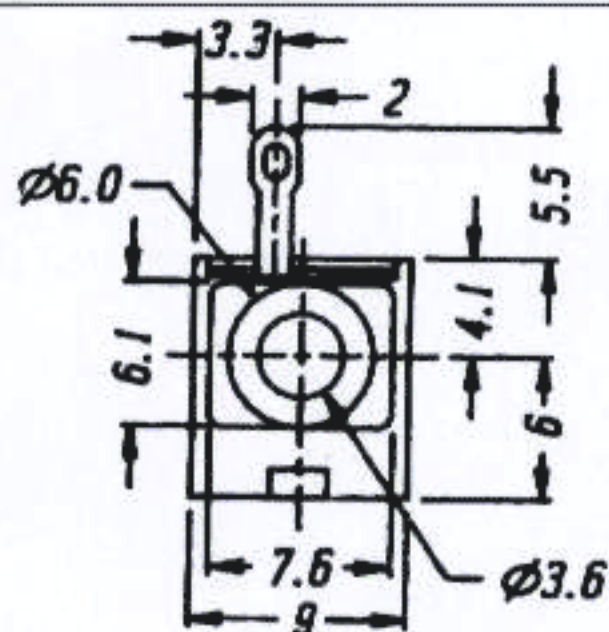
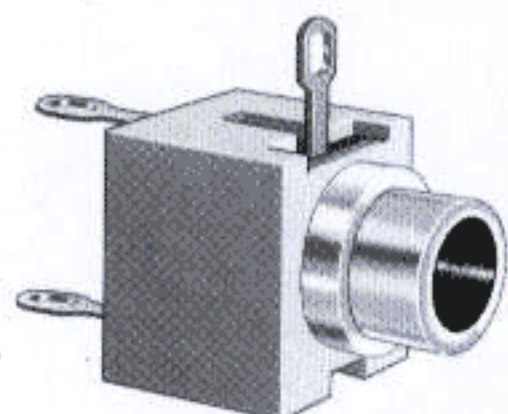
**EY-502N**



**EY-512C**



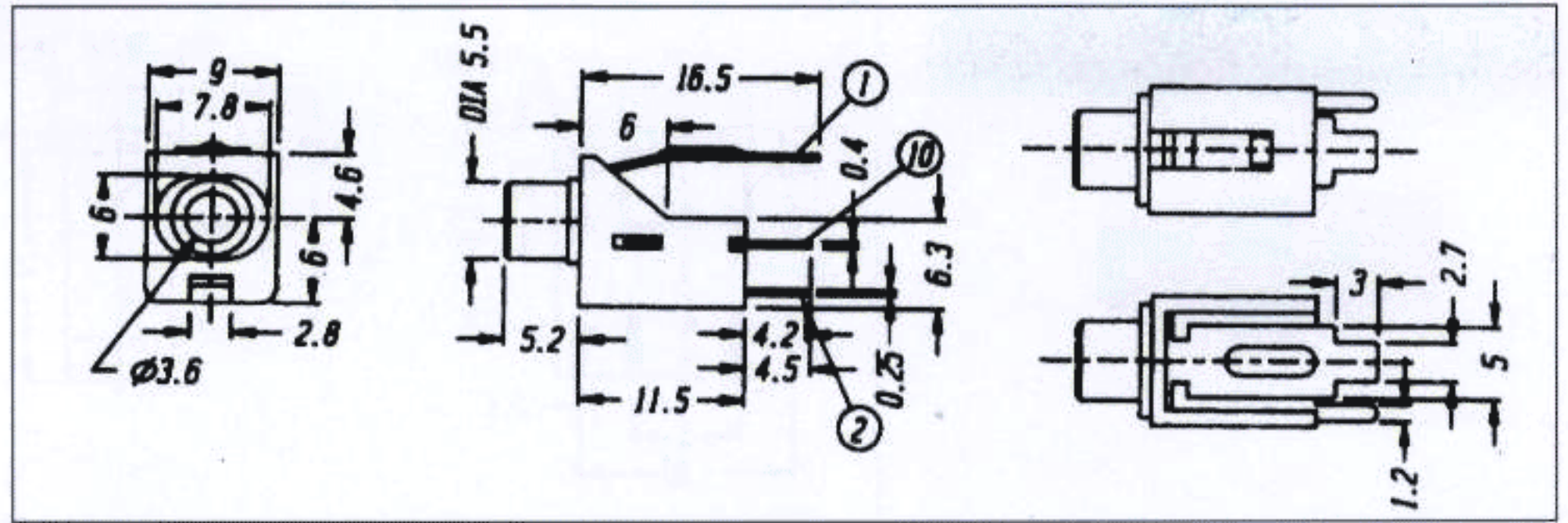
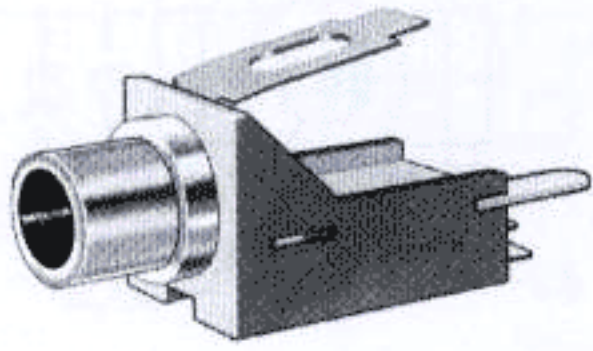
**EY-512N**



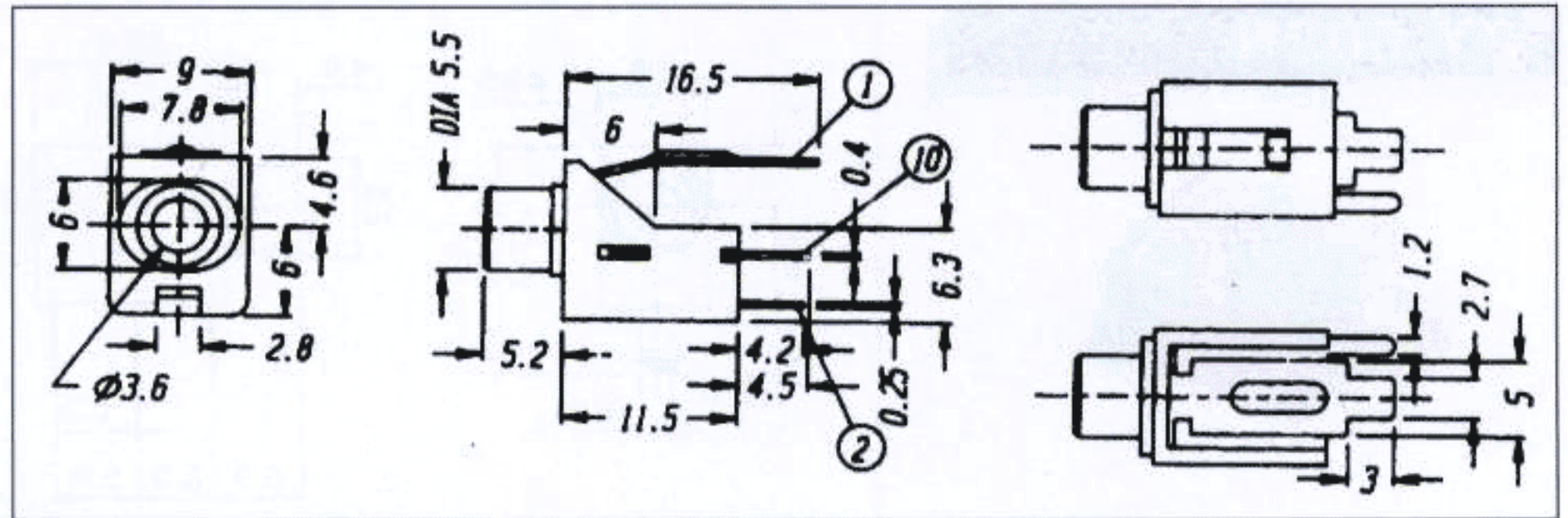
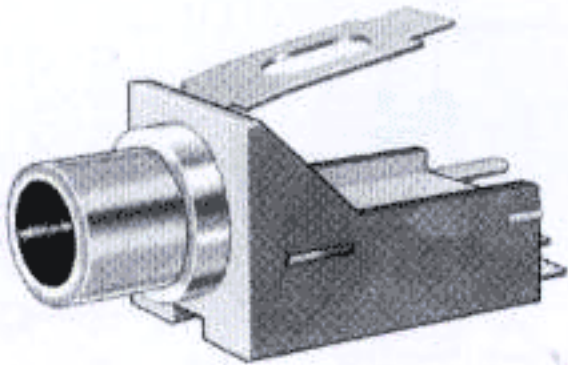


# MINIATURE PHONE JACKS

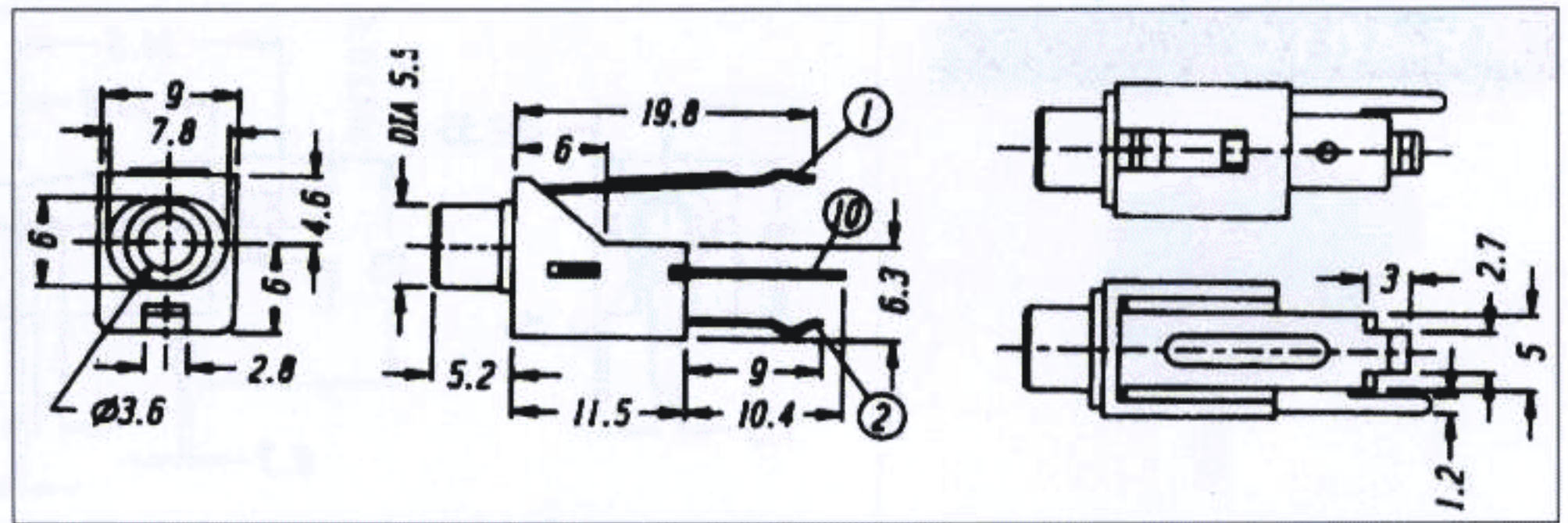
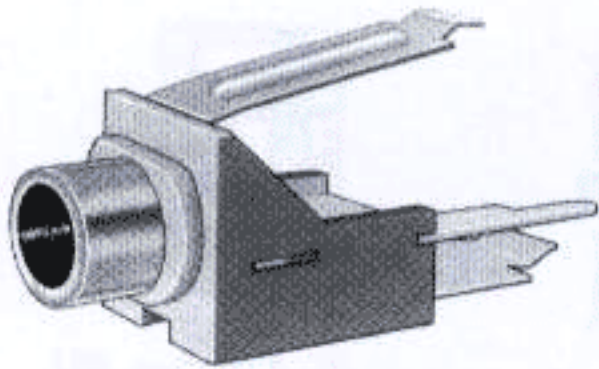
**EY-503NR**



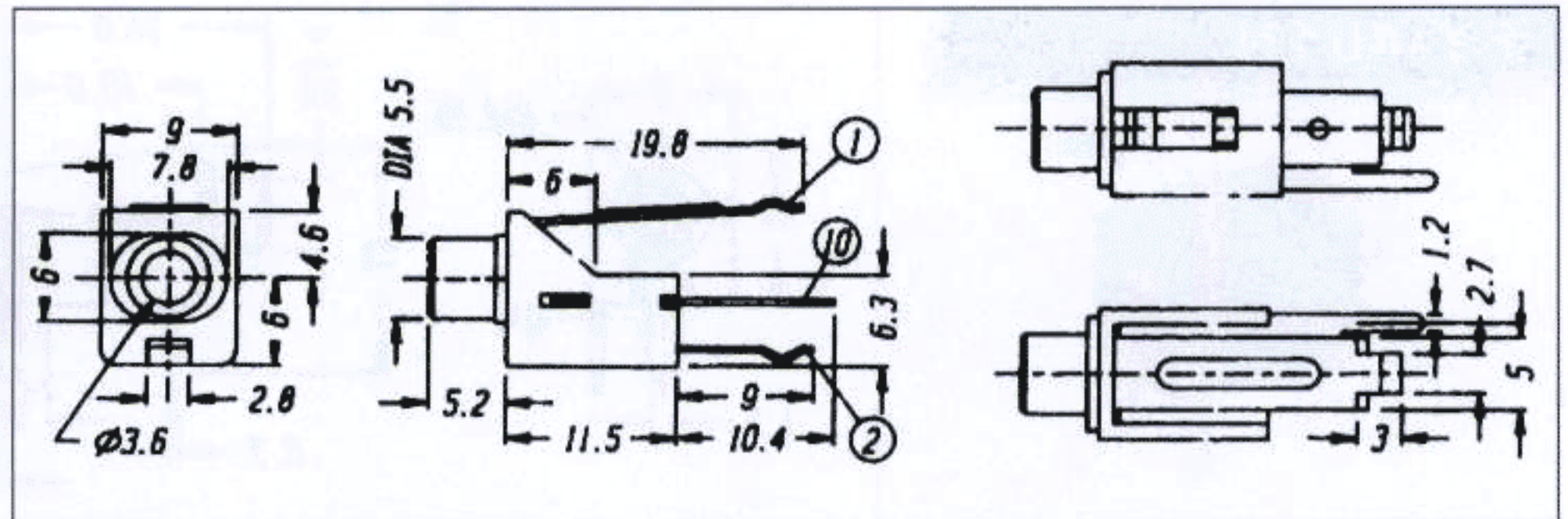
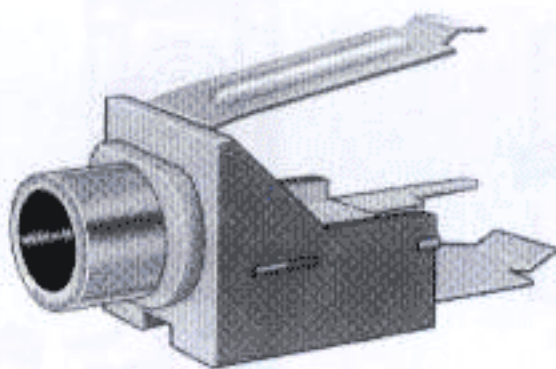
**EY-503NL**



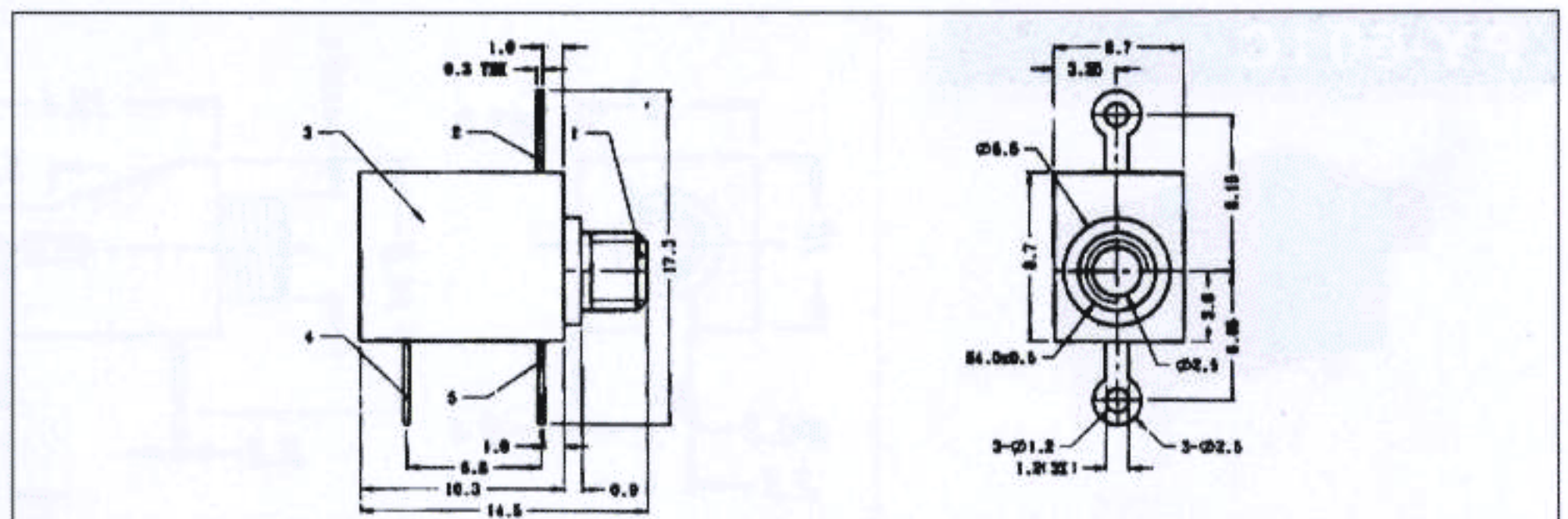
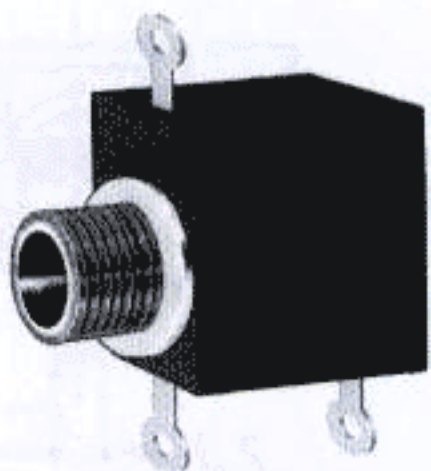
**EY-504NR**



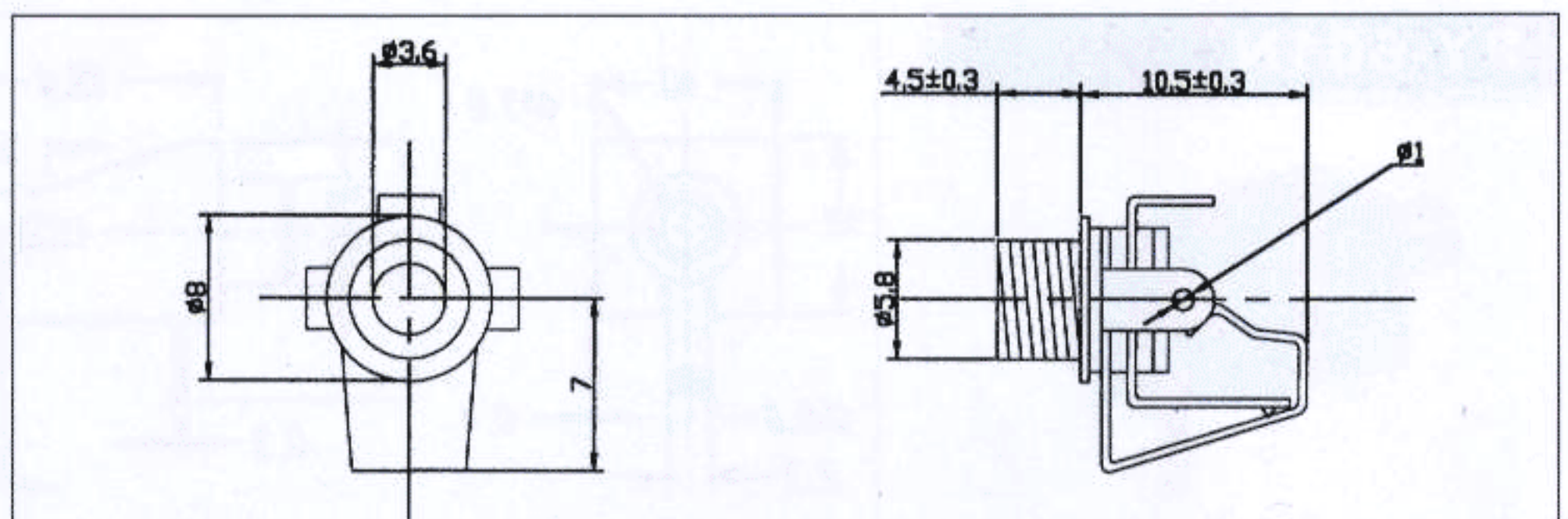
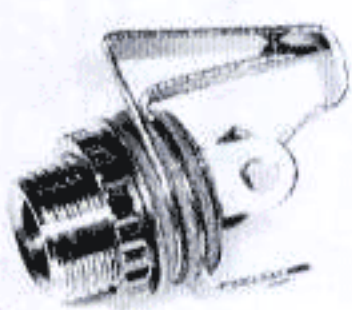
**EY-504NL**



**EY-506**



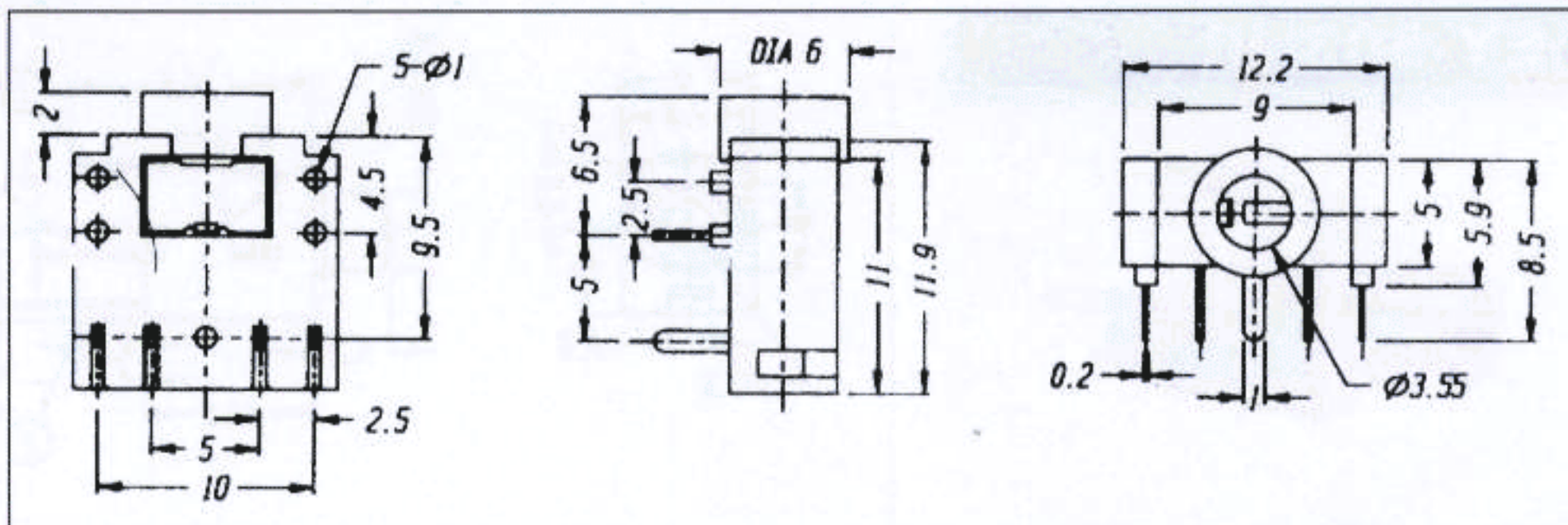
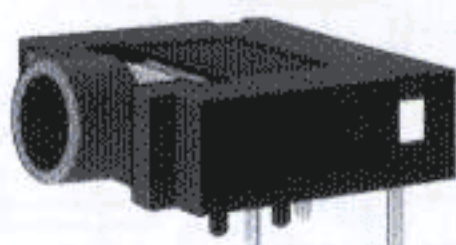
**PY-302**



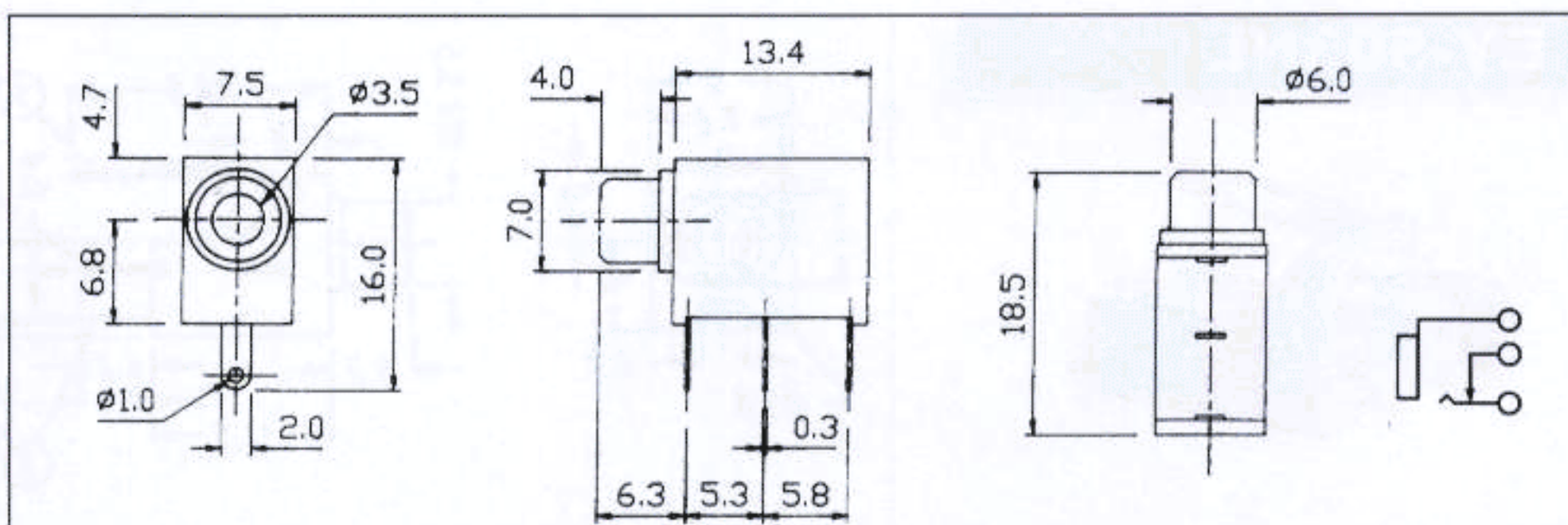
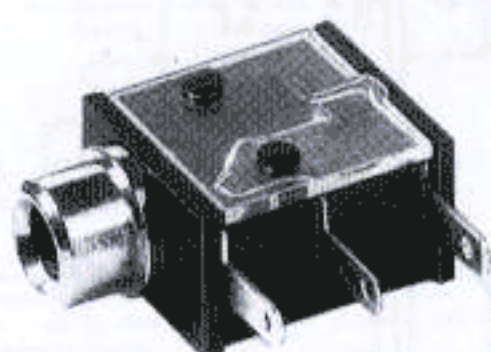


# MINIATURE PHONE JACKS

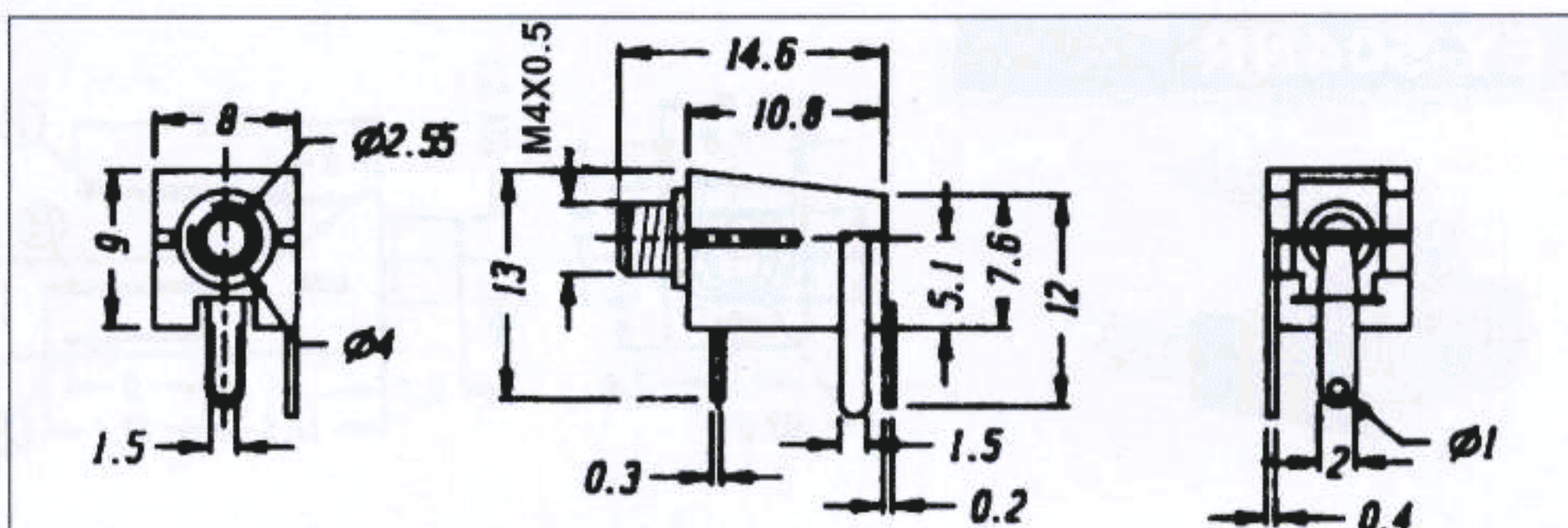
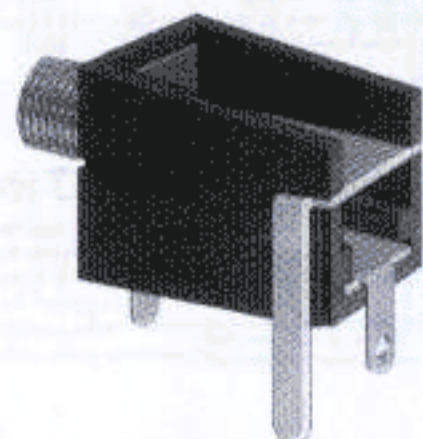
**ST-222**



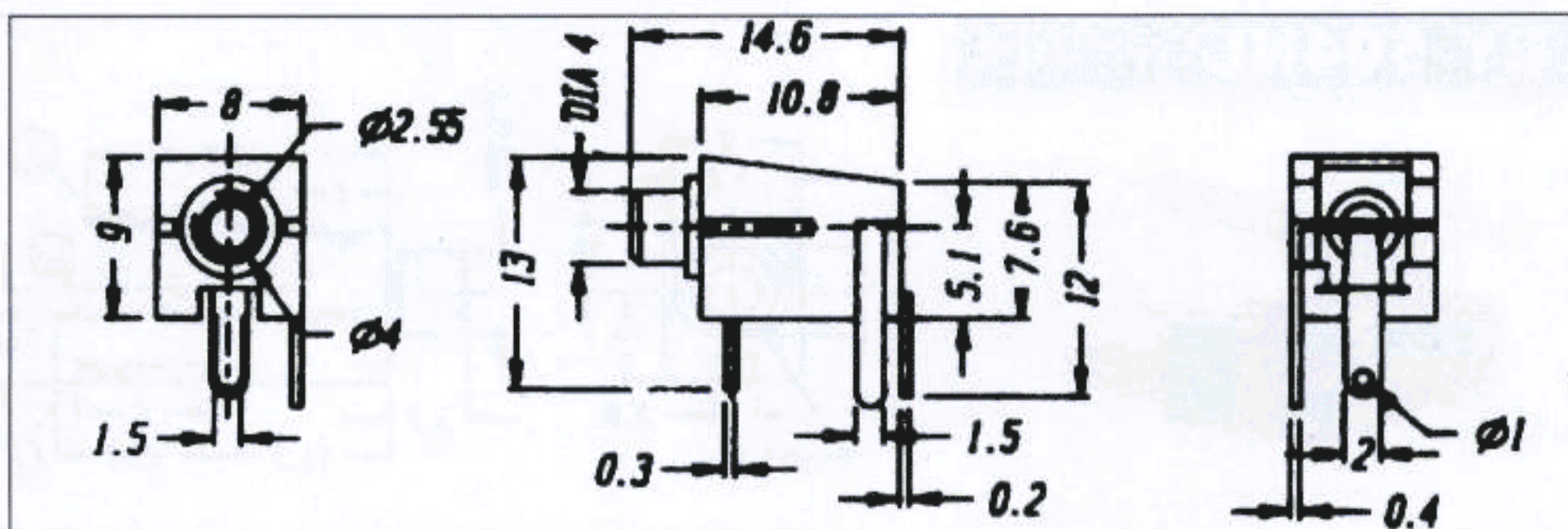
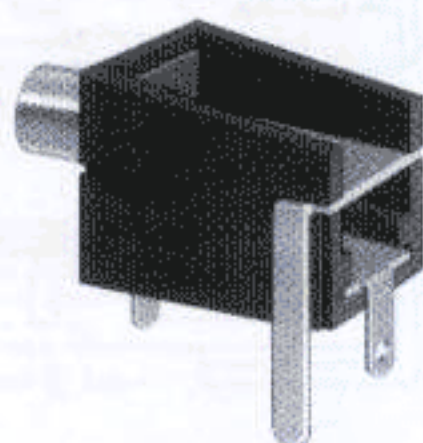
**PY-602N**



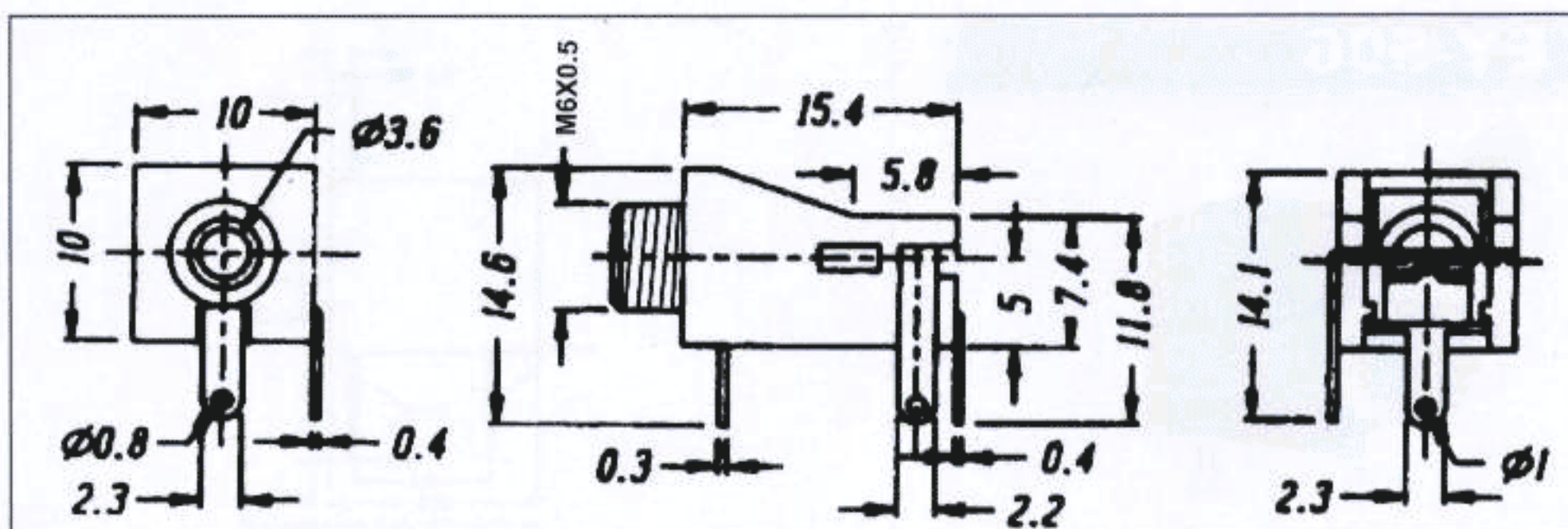
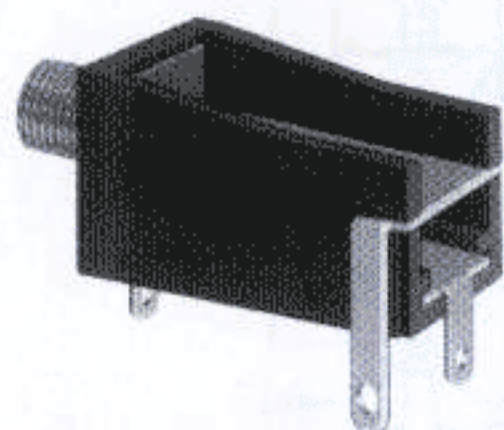
**PY-401C**



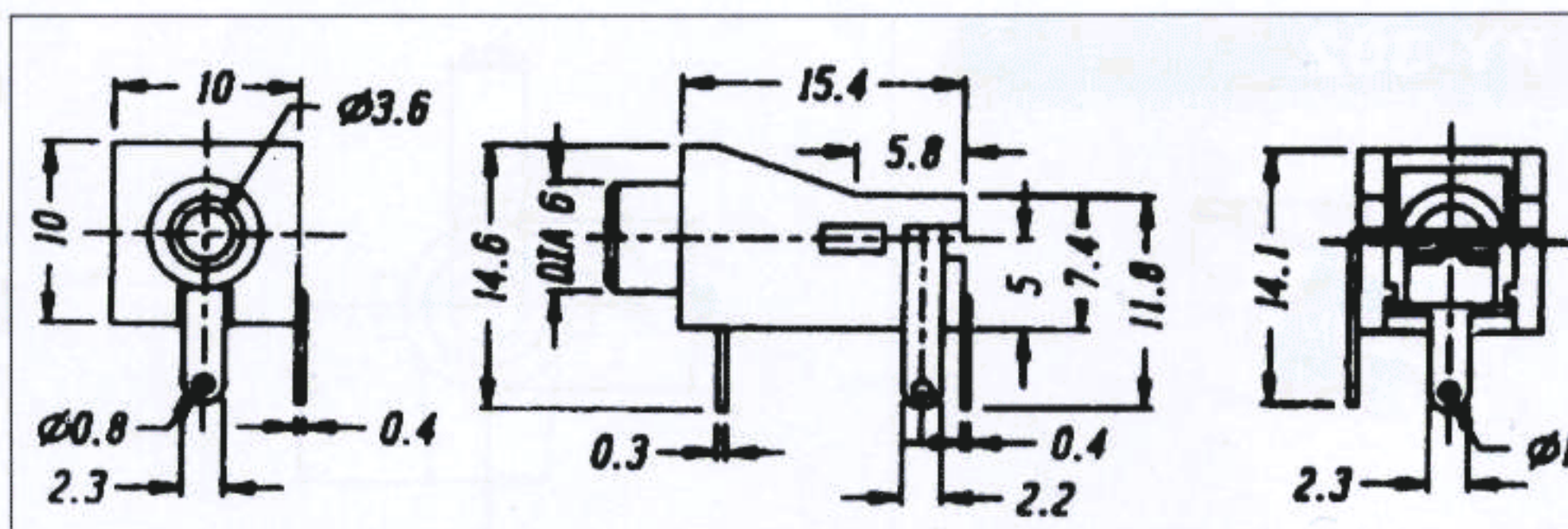
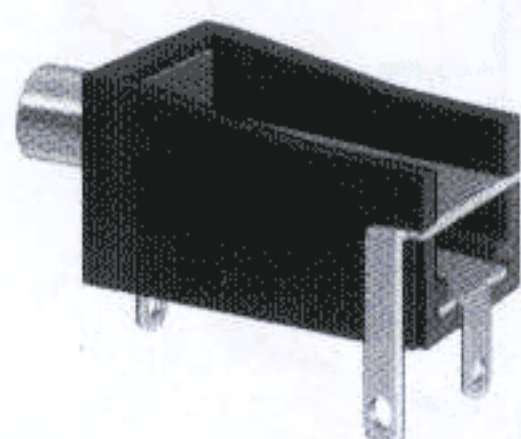
**PY-401N**



**PY-601C**



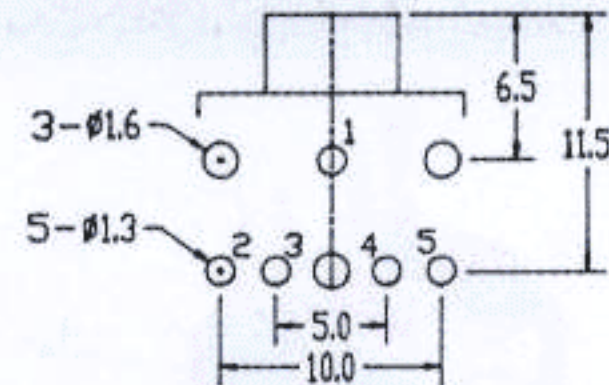
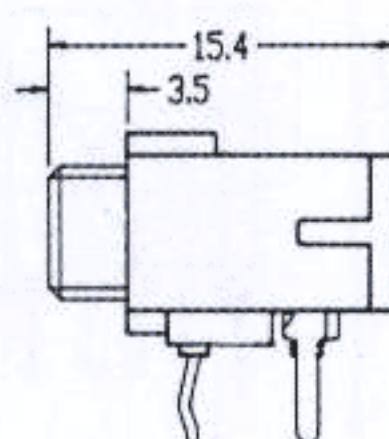
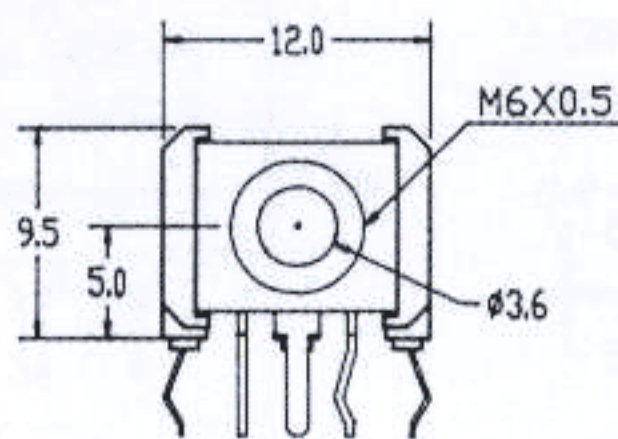
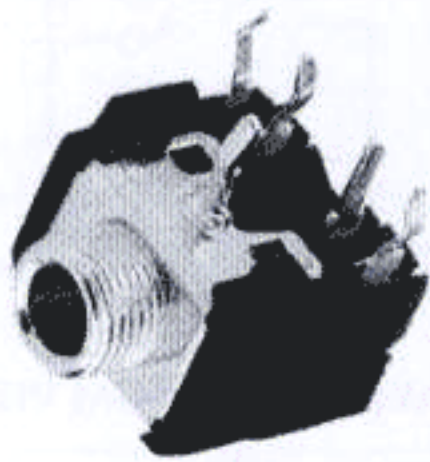
**PY-601N**





# MINIATURE PHONE JACKS

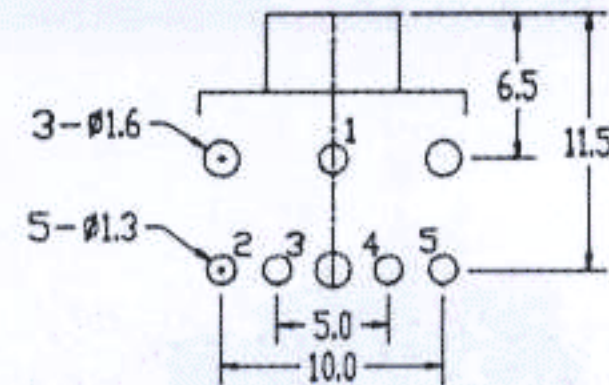
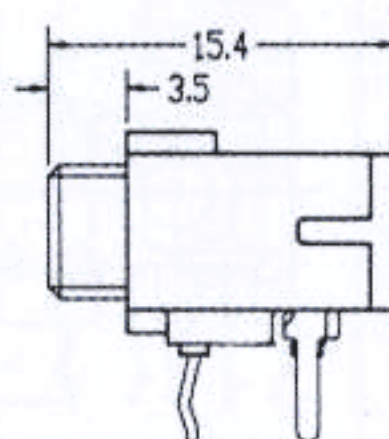
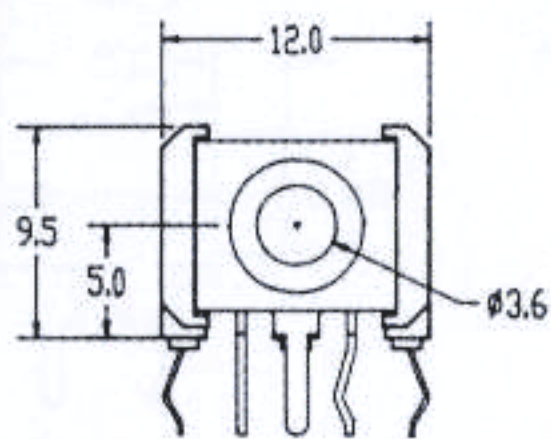
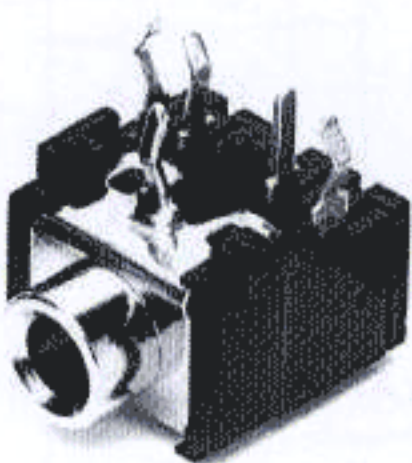
## ST-027C



P.C.B. LAYOUT  
(BOTTOM VIEW)

SCHEMATIC						
MODEL NO	ST-027C-01	ST-027C-02	ST-027C-03	ST-027C-04	ST-027C-05	ST-027C-06

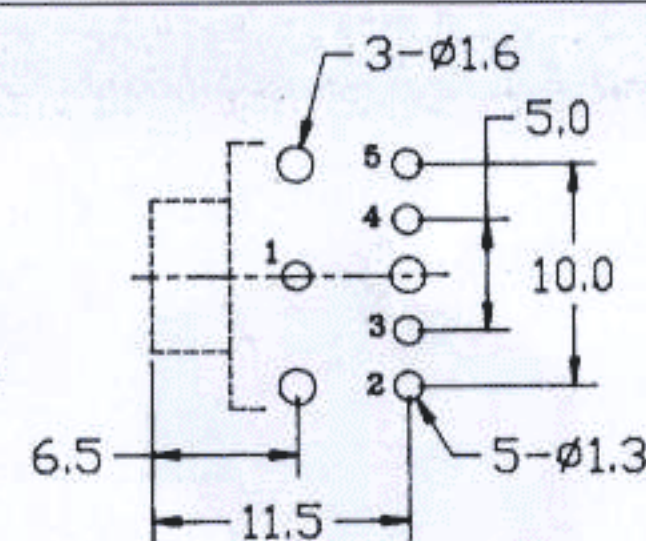
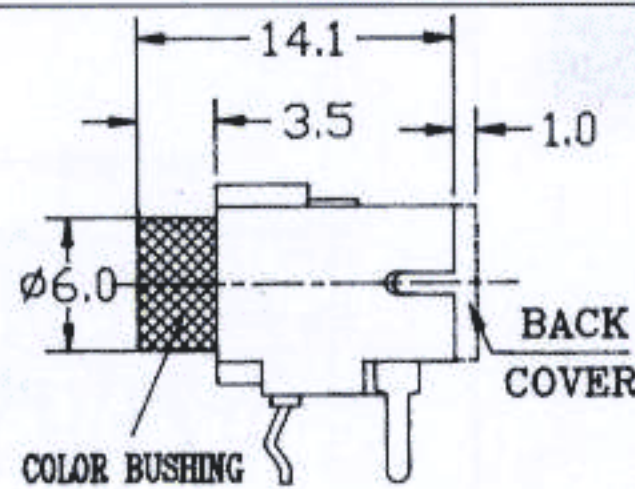
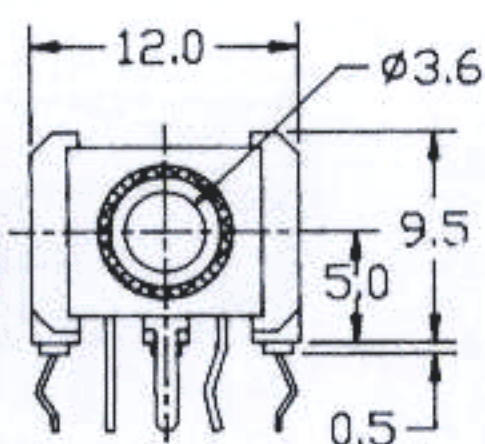
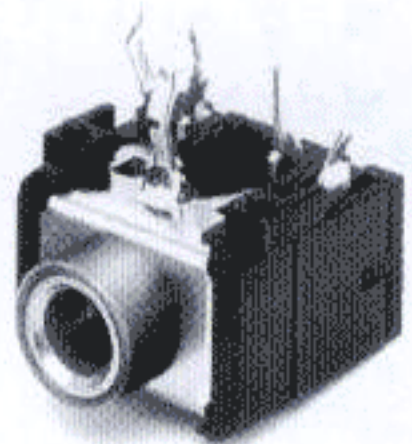
## ST-027N



P.C.B. LAYOUT  
(BOTTOM VIEW)

SCHEMATIC						
MODEL NO	ST-027N-01	ST-027N-02	ST-027N-03	ST-027N-04	ST-027N-05	ST-027N-06

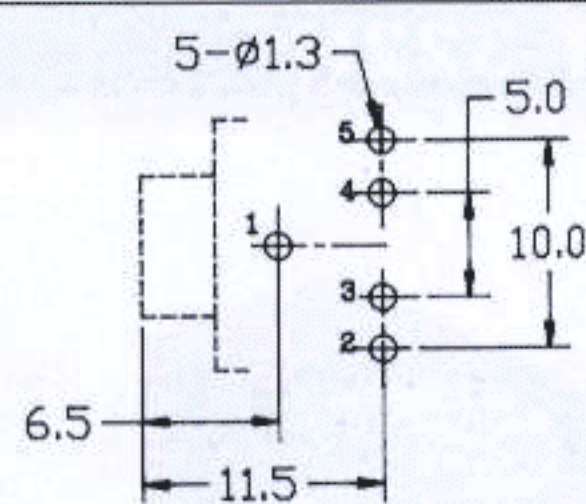
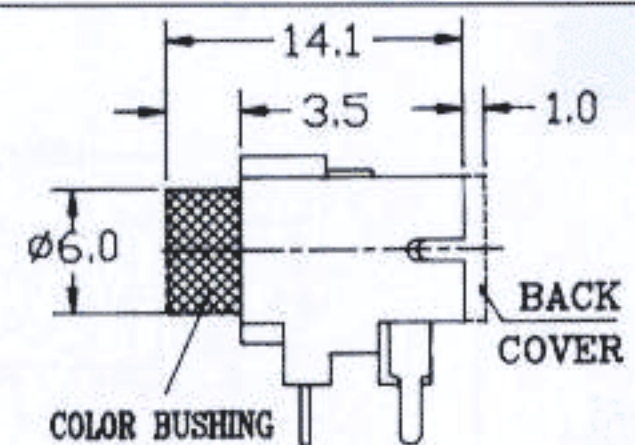
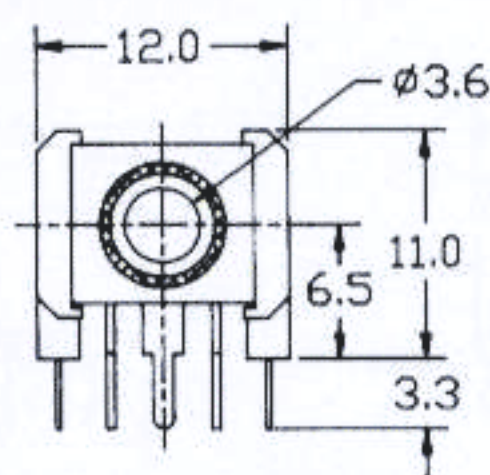
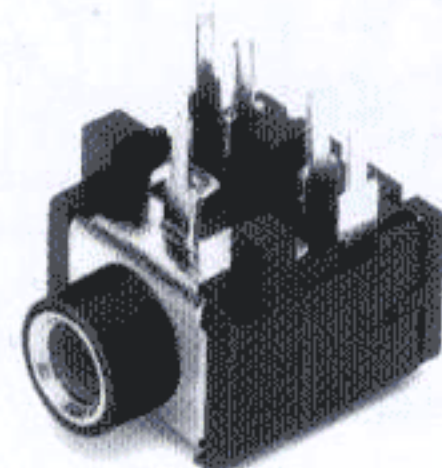
## ST-322AB



PCB LAYOUT (BOTTOM VIEW)

SCHEMATIC						
WITH COVER	ST-322AB-01	ST-322AB-02	ST-322AB-03	ST-322AB-04	ST-322AB-05	ST-322AB-06

## ST-329AB



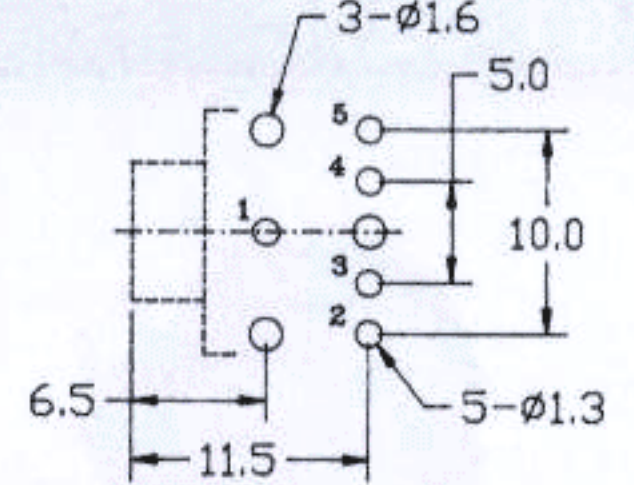
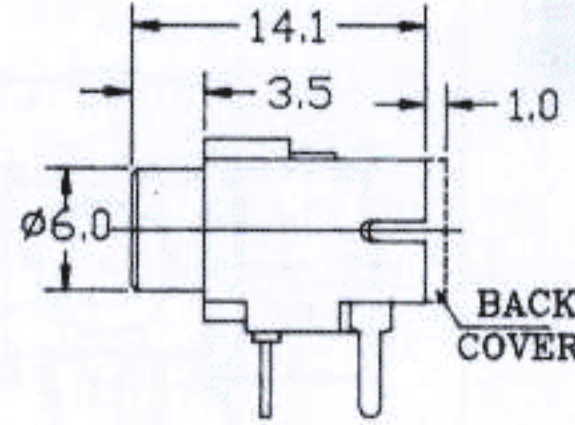
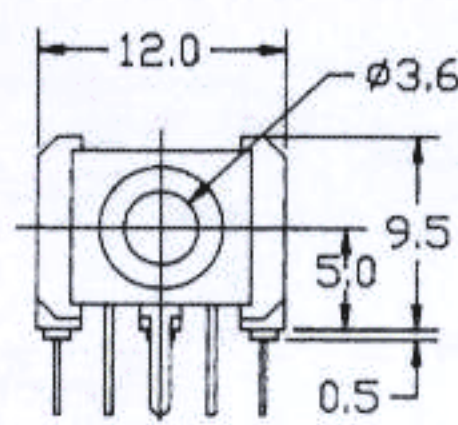
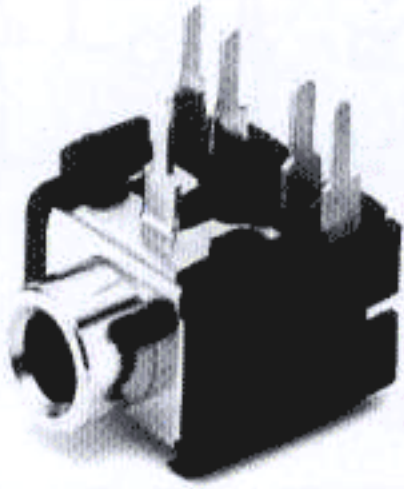
PCB LAYOUT (BOTTOM VIEW)

SCHEMATIC						
WITH COVER	ST-329AB-01	ST-329AB-02	ST-329AB-03	ST-329AB-04	ST-329AB-05	ST-329AB-06



# MINIATURE PHONE JACKS

## ST-322NRB

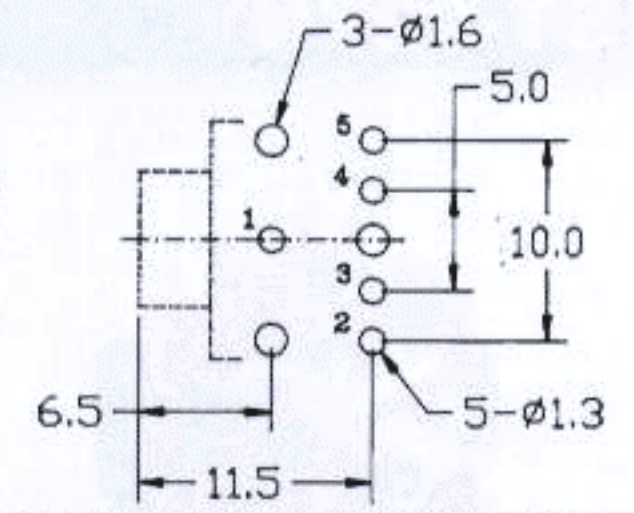
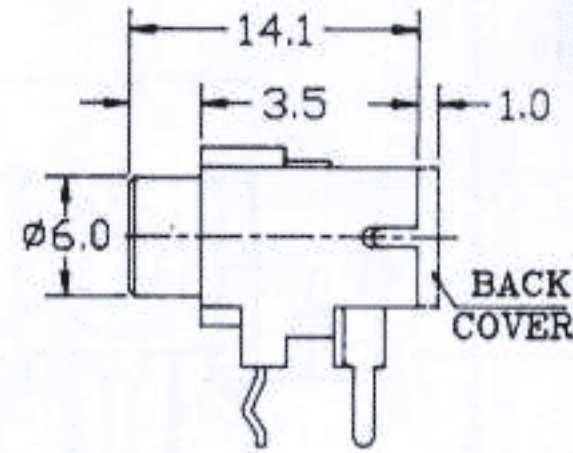
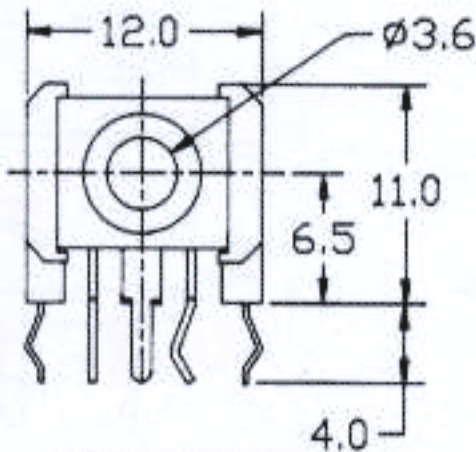
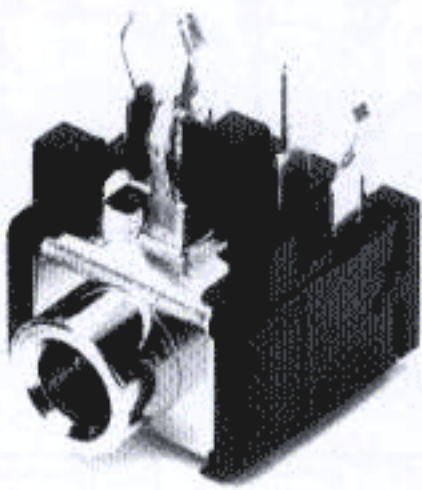


THREAD: M6.0-0.5

PCB LAYOUT (BOTTOM VIEW)

SCHEMATIC						
NON THREAD WITH COVER	ST-322NRB-01	ST-322NRB-02	ST-322NRB-03	ST-322NRB-04	ST-322NRB-05	ST-322NRB-06
THREAD WITH COVER	ST-322CRB-01	ST-322CRB-02	ST-322CRB-03	ST-322CRB-04	ST-322CRB-05	ST-322CRB-06

## ST-328NB

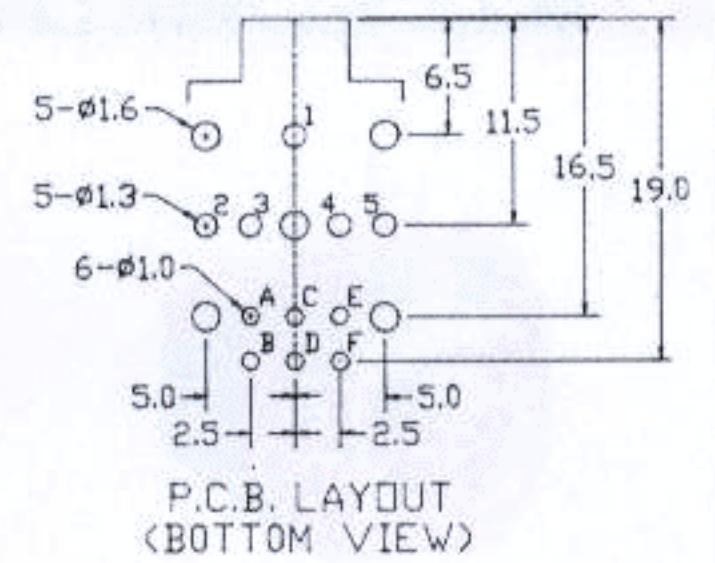
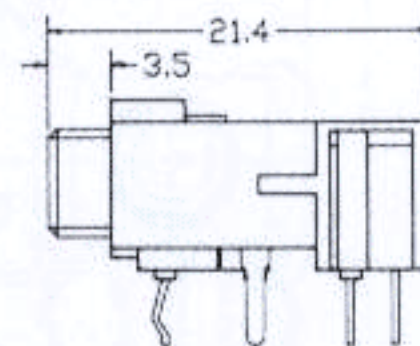
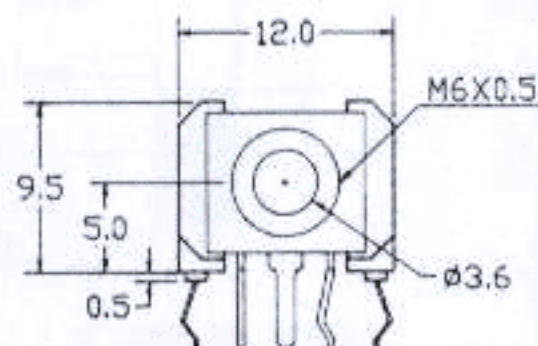
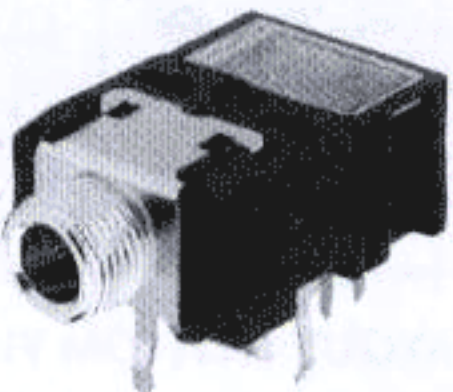


THREAD: M6.0-0.5

PCB LAYOUT (BOTTOM VIEW)

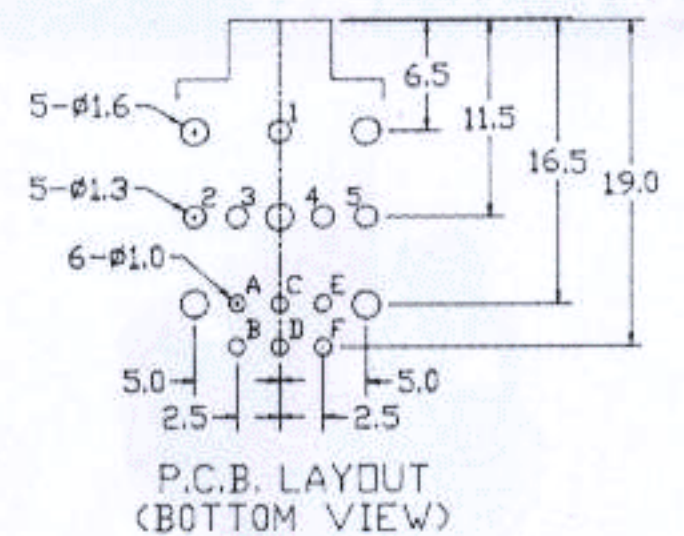
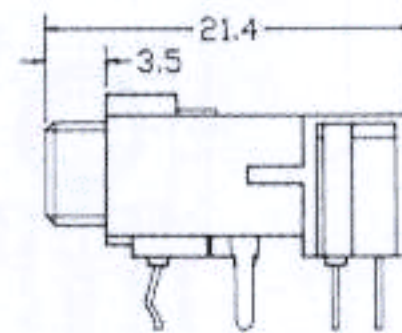
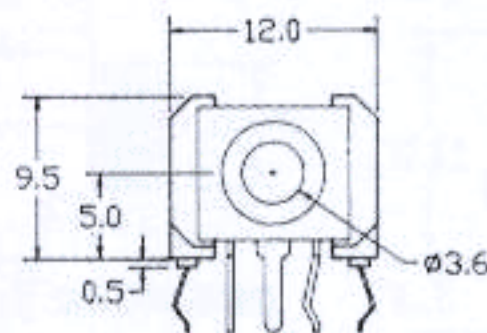
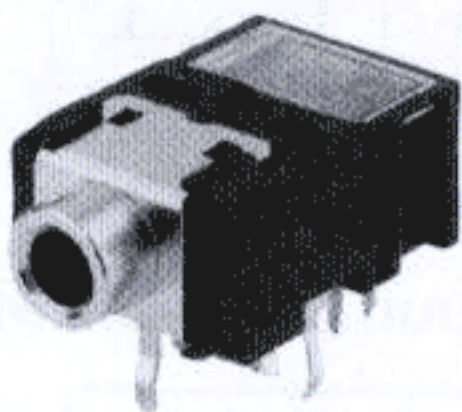
SCHEMATIC						
NON THREAD WITH COVER	ST-328NB-01	ST-328NB-02	ST-328NB-03	ST-328NB-04	ST-328NB-05	ST-328NB-06
THREAD WITH COVER	ST-328CB-01	ST-328CB-02	ST-328CB-03	ST-328CB-04	ST-328CB-05	ST-328CB-06

## ST-322C



SCHEMATIC						
MODEL NO	ST-322C-01	ST-322C-02	ST-322C-03	ST-322C-04	ST-322C-05	ST-322C-06

## ST-322N

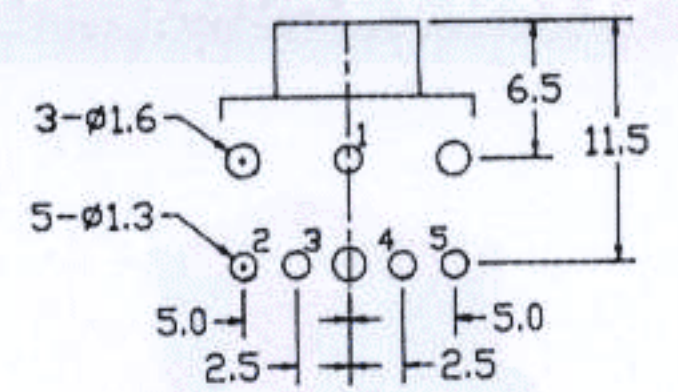
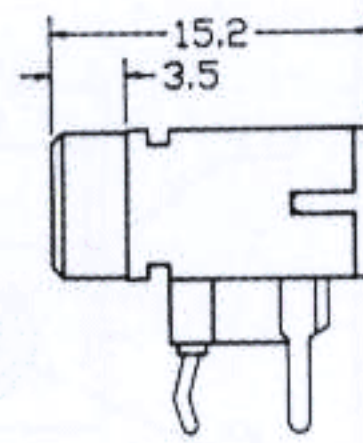
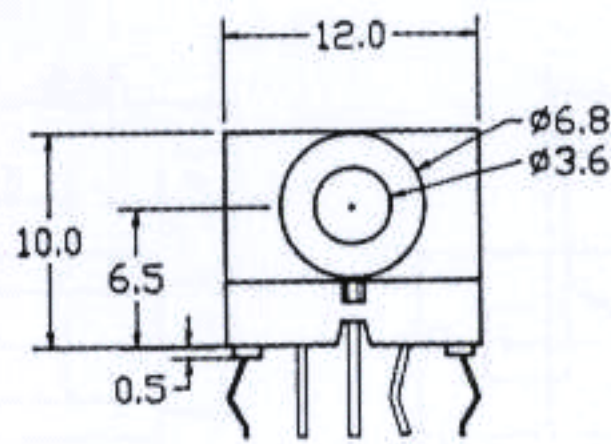
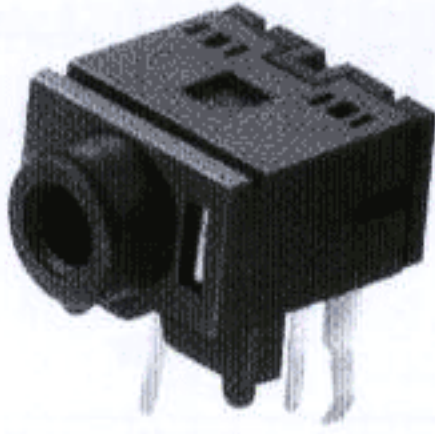


SCHEMATIC						
MODEL NO	ST-322N-01	ST-322N-02	ST-322N-03	ST-322N-04	ST-322N-05	ST-322N-06



# MINIATURE PHONE JACKS

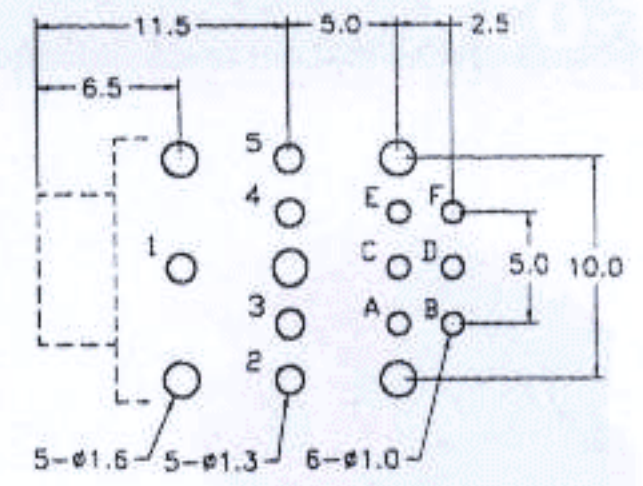
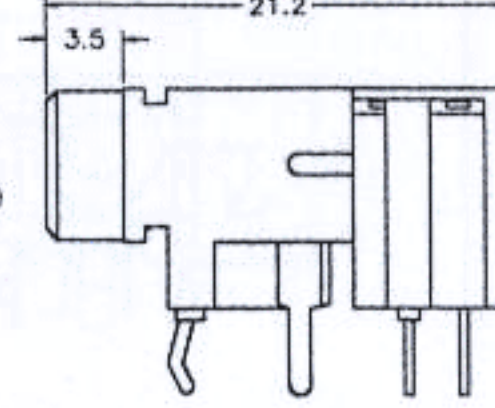
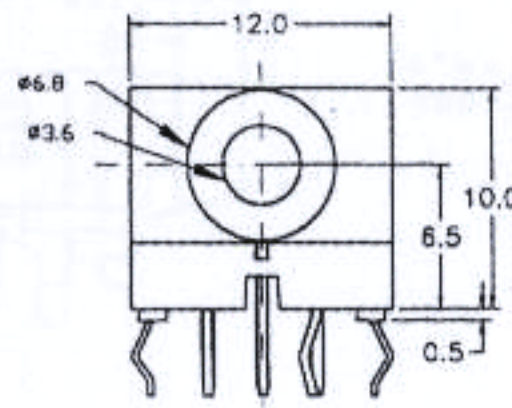
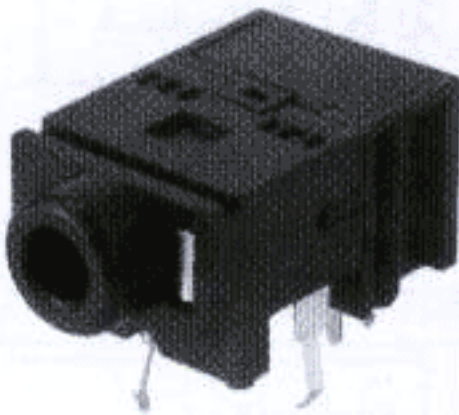
## ST-029



P.C.B. LAYOUT  
(BOTTOM VIEW)

SCHEMATIC						
MODEL NO	ST-029-01	ST-029-02	ST-029-03	ST-029-04	ST-029-05	ST-029-06

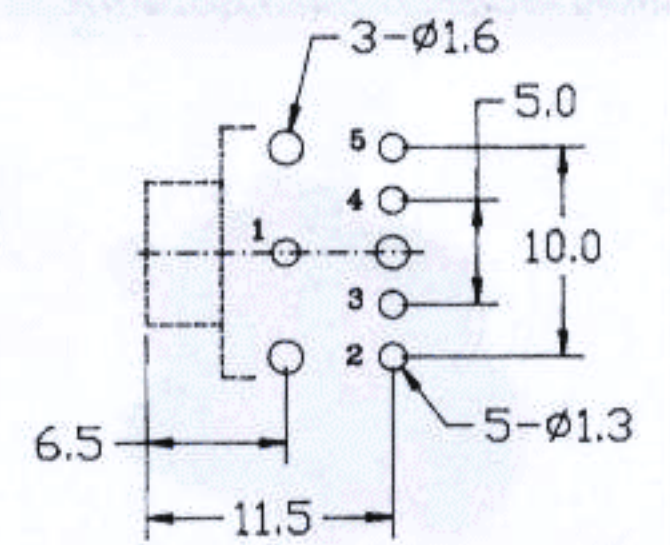
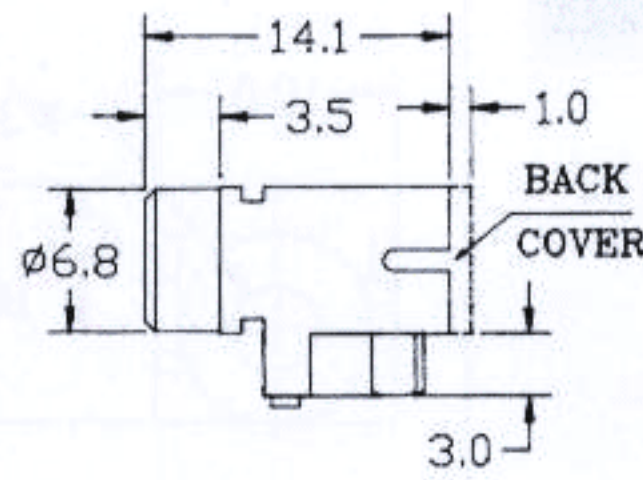
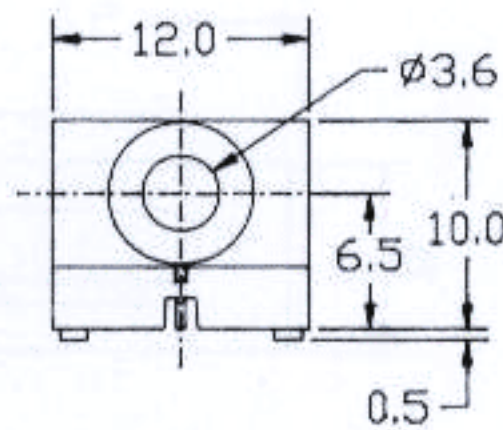
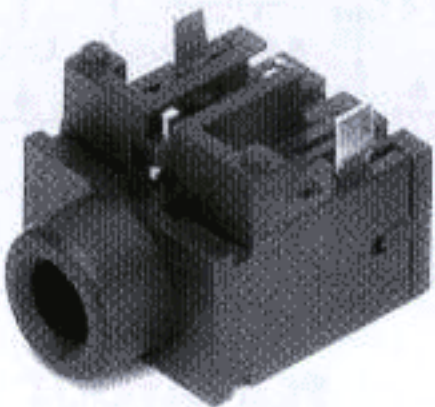
## ST-028



P.C.B. LAYOUT  
(BOTTOM VIEW)

SCHEMATIC						
MODEL NO	ST-028-01	ST-028-02	ST-028-03	ST-028-04	ST-028-05	ST-028-06

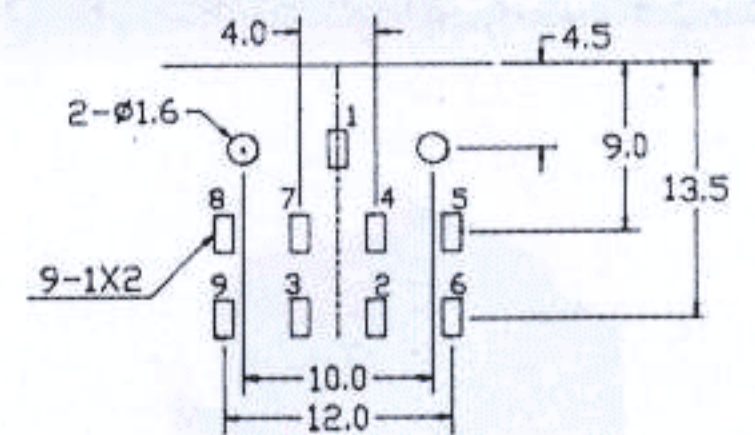
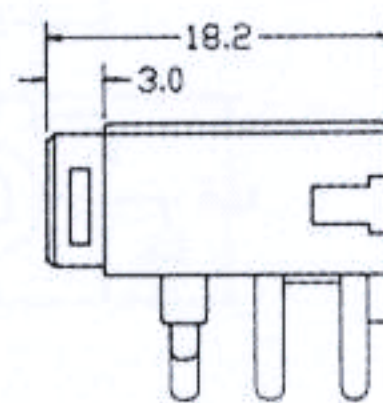
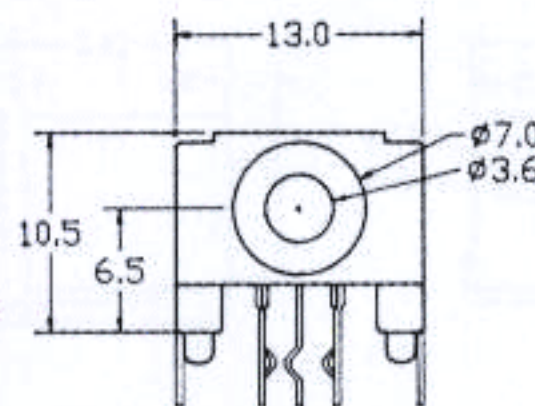
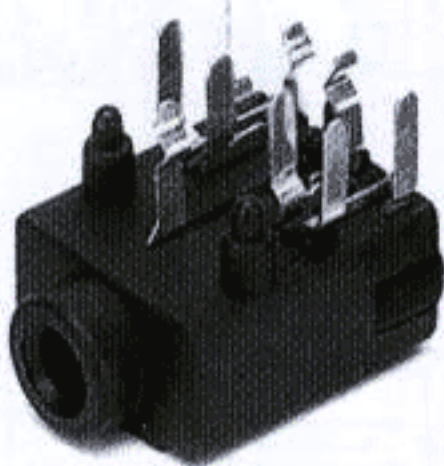
## ST-323TB



PCB LAYOUT (BOTTOM VIEW)

SCHEMATIC						
WITH COVER	ST-323TB-01	ST-323TB-02	ST-323TB-03	ST-323TB-04	ST-323TB-05	ST-323TB-06

## ST-030



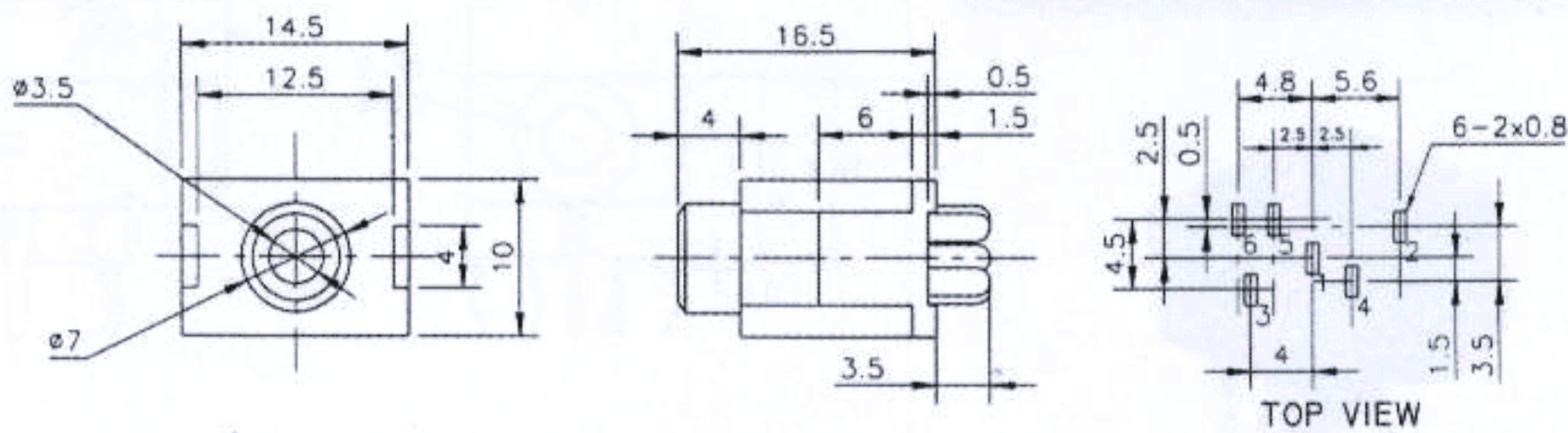
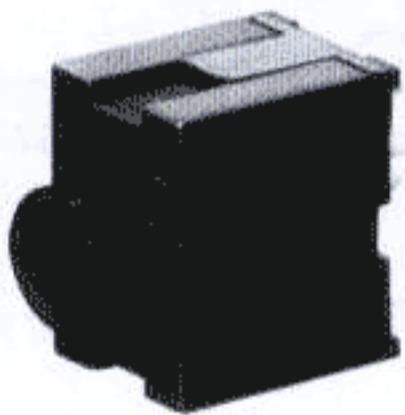
P.C.B. LAYOUT  
(BOTTOM VIEW)

SCHEMATIC								
MODEL NO	ST-030-01	ST-030-02	ST-030-03	ST-030-04	ST-030-05	ST-030-06	ST-030-07	ST-030-08



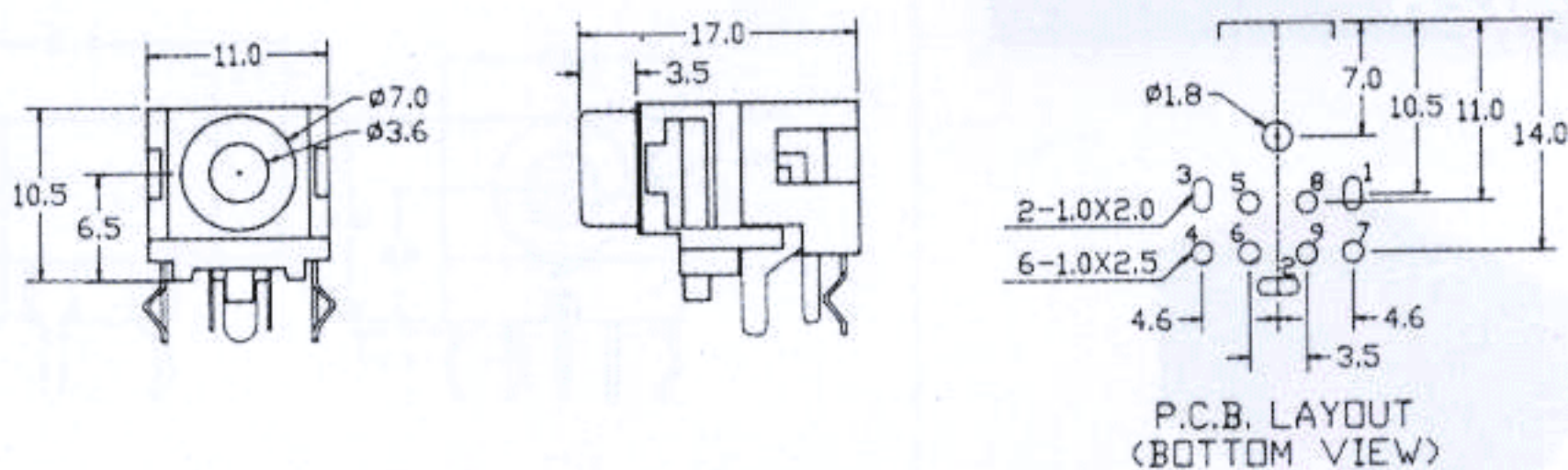
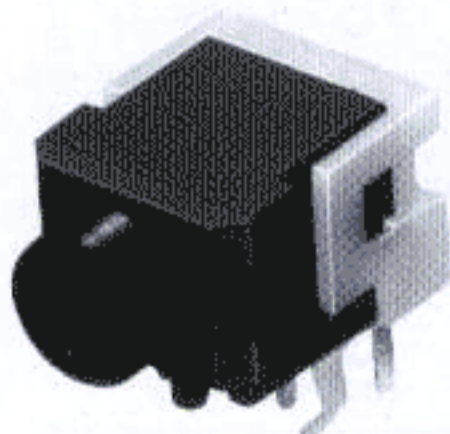
# MINIATURE PHONE JACKS

## ST-035



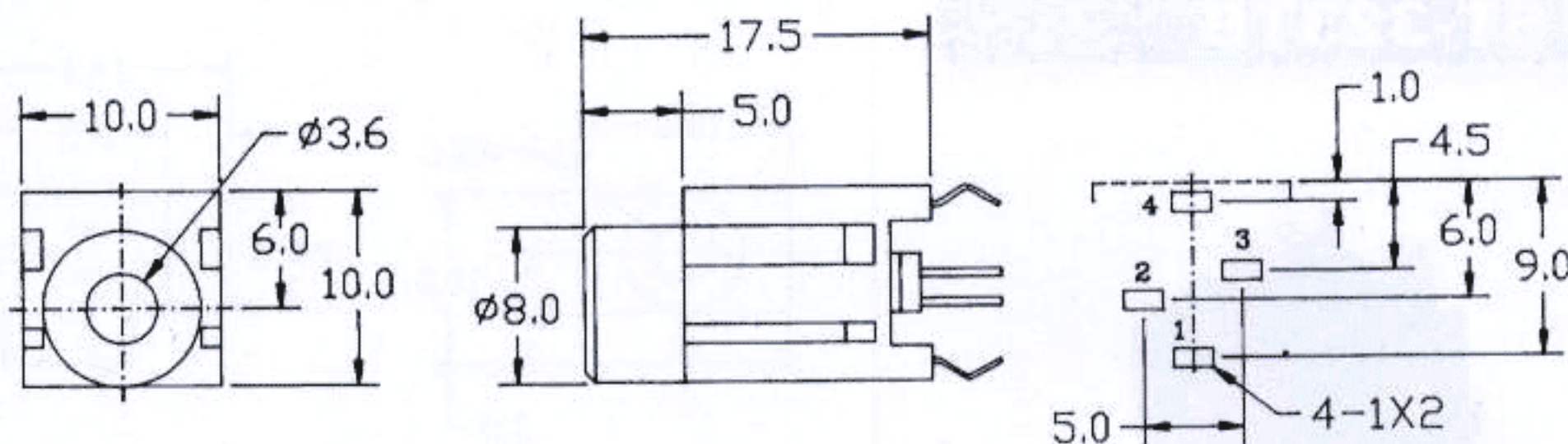
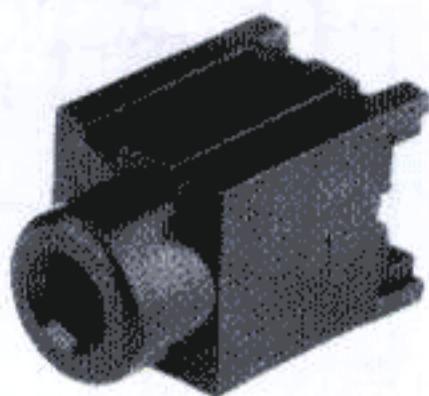
SCHEMATIC								
	MODEL NO	ST-035-01	ST-035-02	ST-035-03	ST-035-04	ST-035-05	ST-035-06	ST-035-07

## ST-037



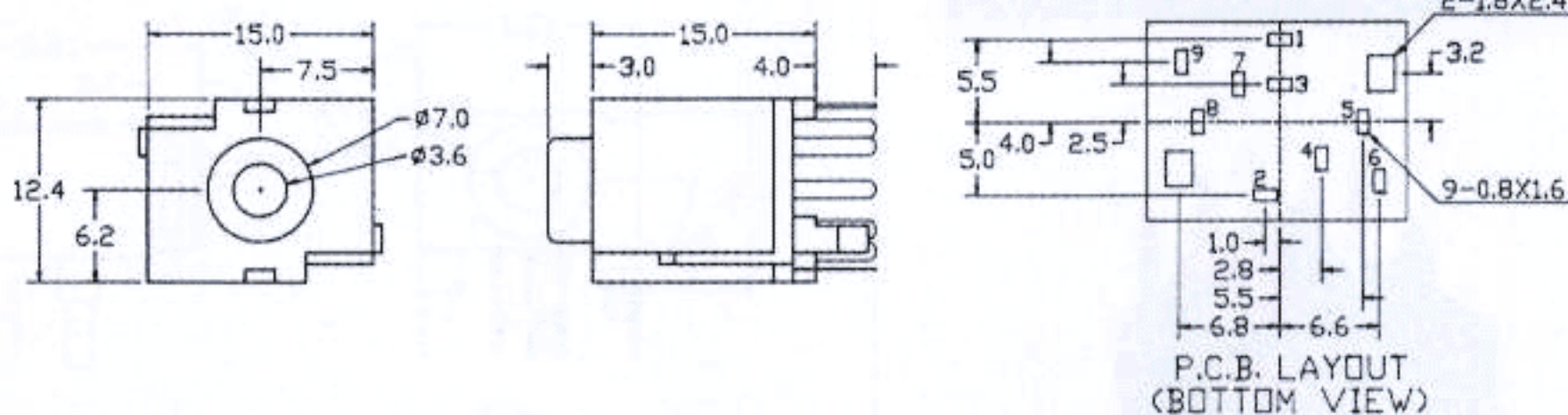
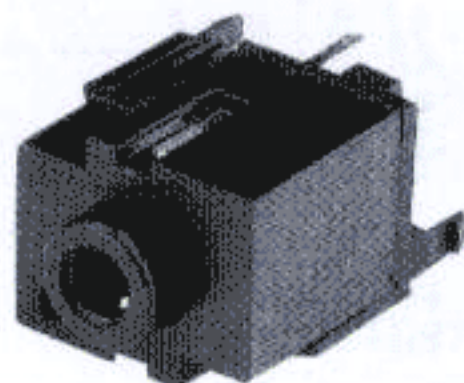
SCHEMATIC						
	MODEL NO	ST-037-01	ST-037-02	ST-037-03	ST-037-04	ST-037-05

## ST-302



SCHEMATIC				
	MODEL NO	ST-302-01	ST-302-02	ST-302-03

## ST-303

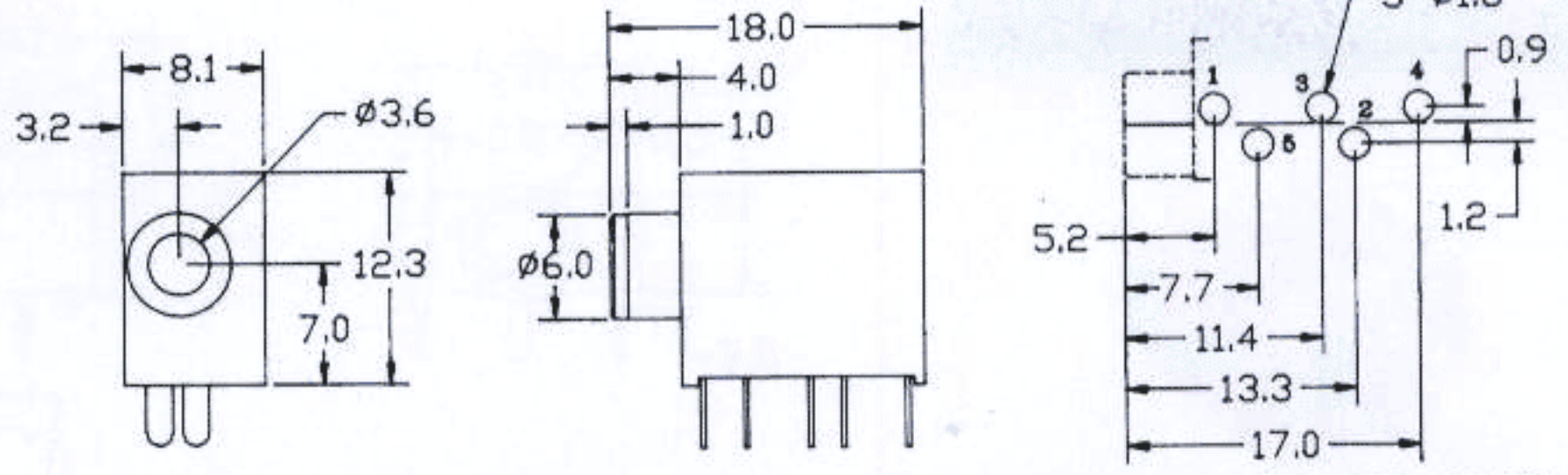
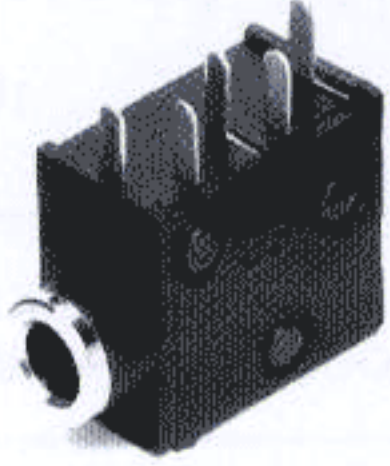


SCHEMATIC						
	MODEL NO	ST-303-01	ST-303-02	ST-303-03	ST-303-04	ST-303-05



# MINIATURE PHONE JACKS

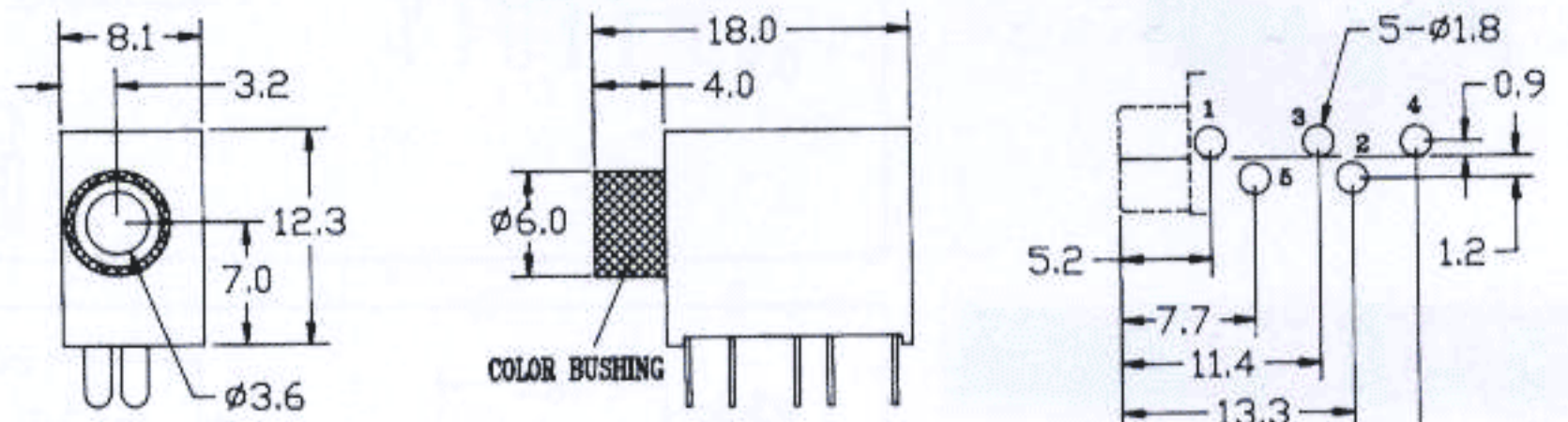
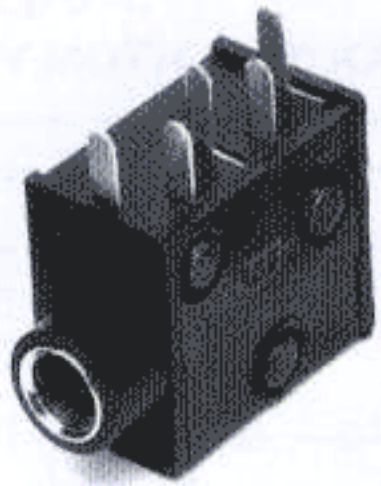
## ST-324



PCB LAYOUT (BOTTOM VIEW)

SCHEMATIC						
BLACK COVER	ST-324B-01	ST-324B-02	ST-324B-03	ST-324B-04	ST-324B-05	ST-324B-06
TRANSPARENT COVER	ST-324T-01	ST-324T-02	ST-324T-03	ST-324T-04	ST-324T-05	ST-324T-06

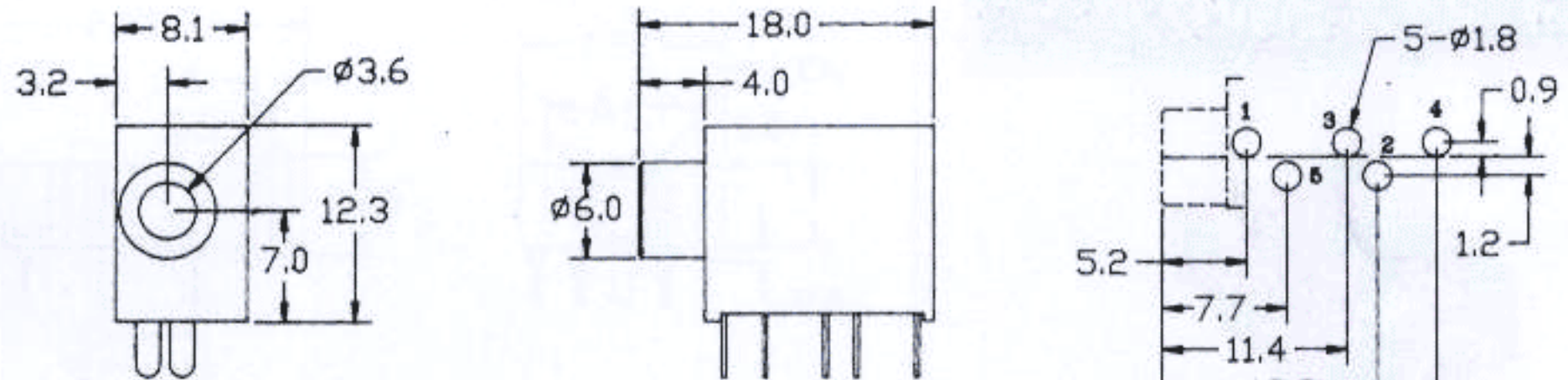
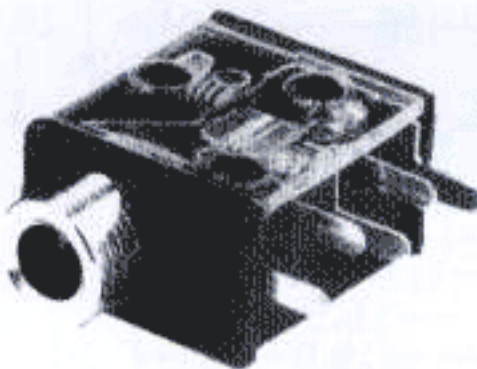
## ST-325



PCB LAYOUT (BOTTOM VIEW)

SCHEMATIC						
BLACK COVER	ST-325B-01	ST-325B-02	ST-325B-03	ST-325B-04	ST-325B-05	ST-325B-06
TRANSPARENT COVER	ST-325T-01	ST-325T-02	ST-325T-03	ST-325T-04	ST-325T-05	ST-325T-06

## ST-215

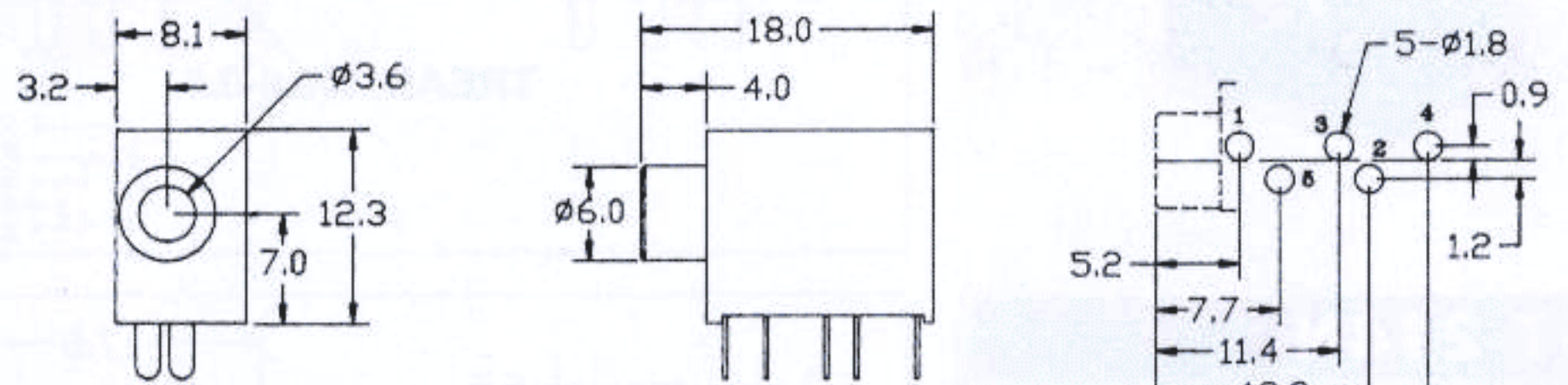
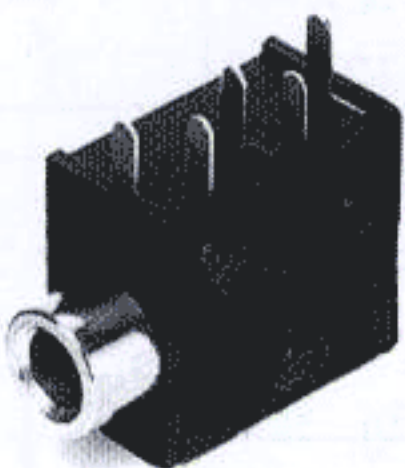


THREAD: M6.0-0.5

PCB LAYOUT (BOTTOM VIEW)

SCHEMATIC						
NON THREAD	ST-215N-01	ST-215N-02	ST-215N-03	ST-215N-04	ST-215N-05	ST-215N-06
THREAD	ST-215C-01	ST-215C-02	ST-215C-03	ST-215C-04	ST-215C-05	ST-215C-06

## ST-225



THREAD: M6.0-0.5

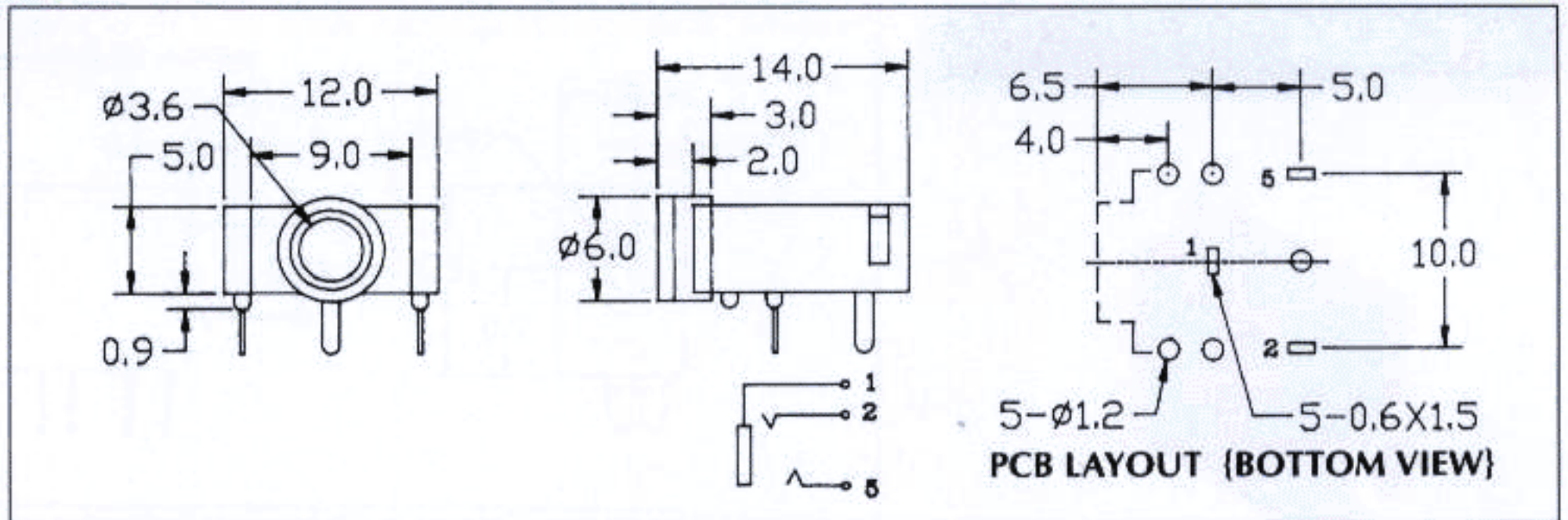
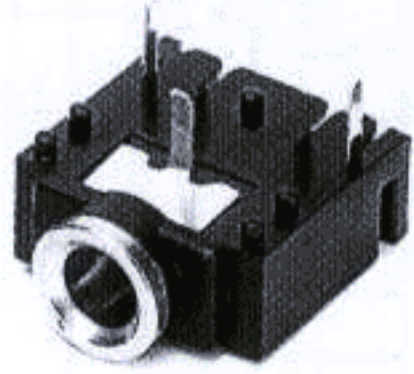
PCB LAYOUT (BOTTOM VIEW)

SCHEMATIC						
NON THREAD	ST-225N-01	ST-225N-02	ST-225N-03	ST-225N-04	ST-225N-05	ST-225N-06
THREAD	ST-225C-01	ST-225C-02	ST-225C-03	ST-225C-04	ST-225C-05	ST-225C-06

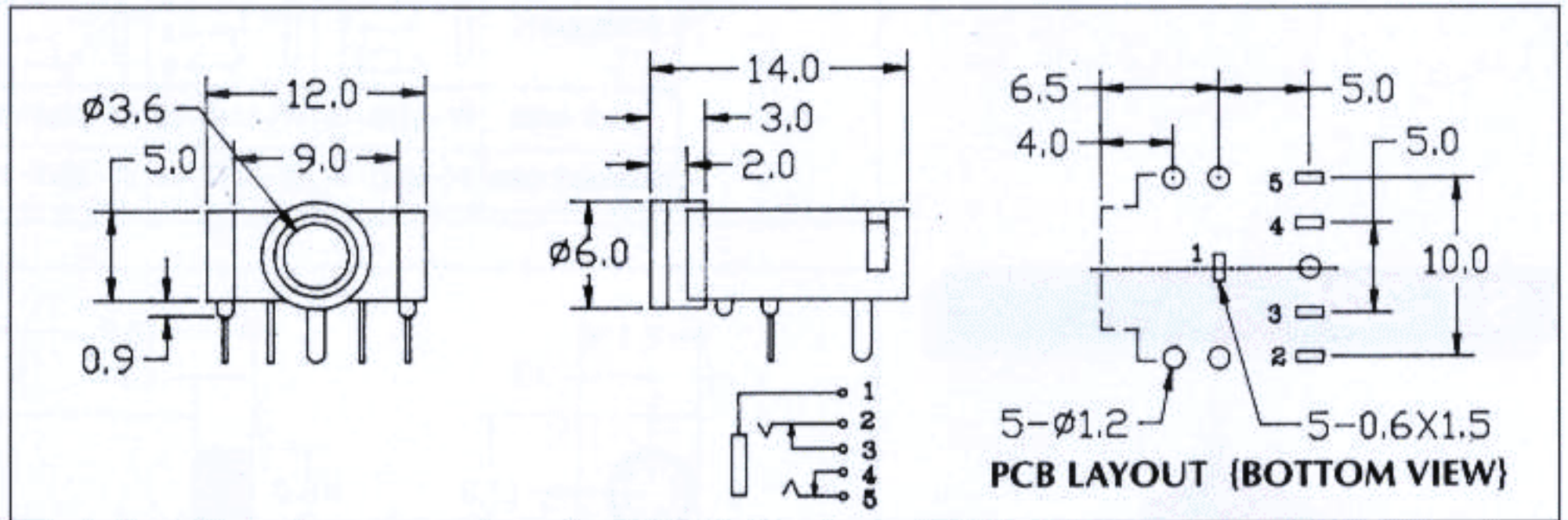
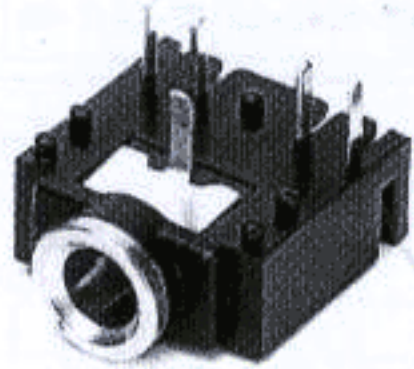


# MINIATURE PHONE JACKS

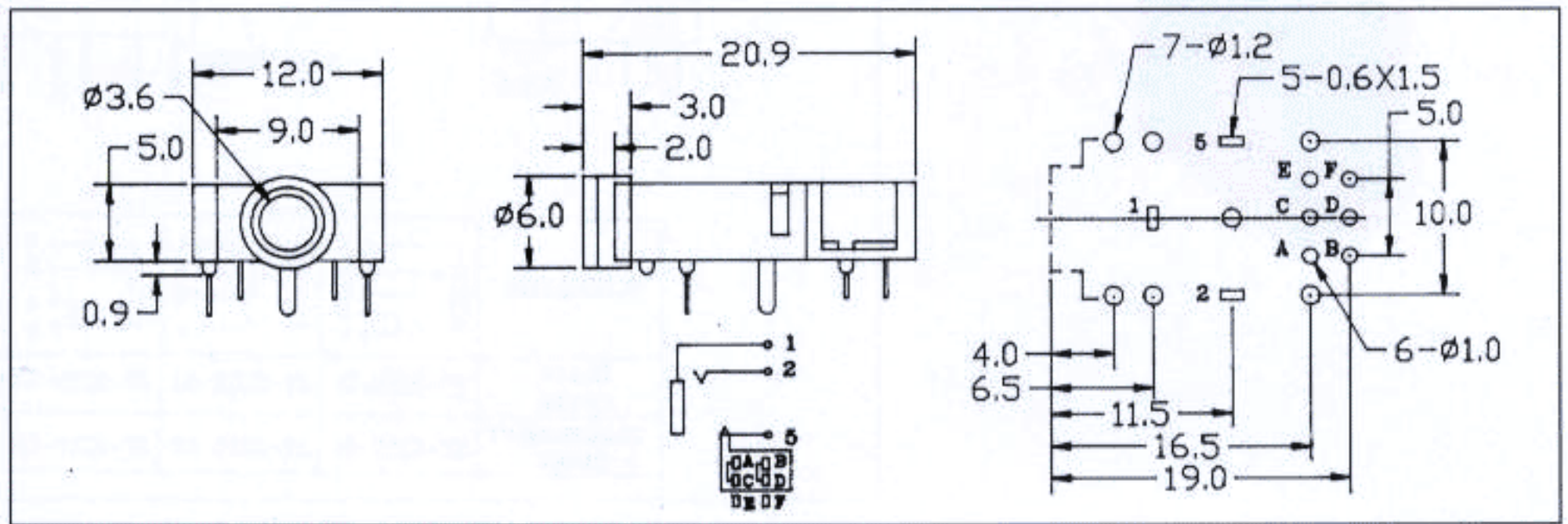
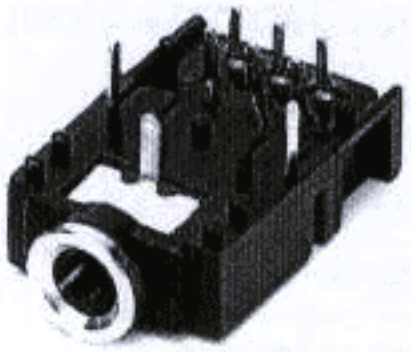
**ST-111**



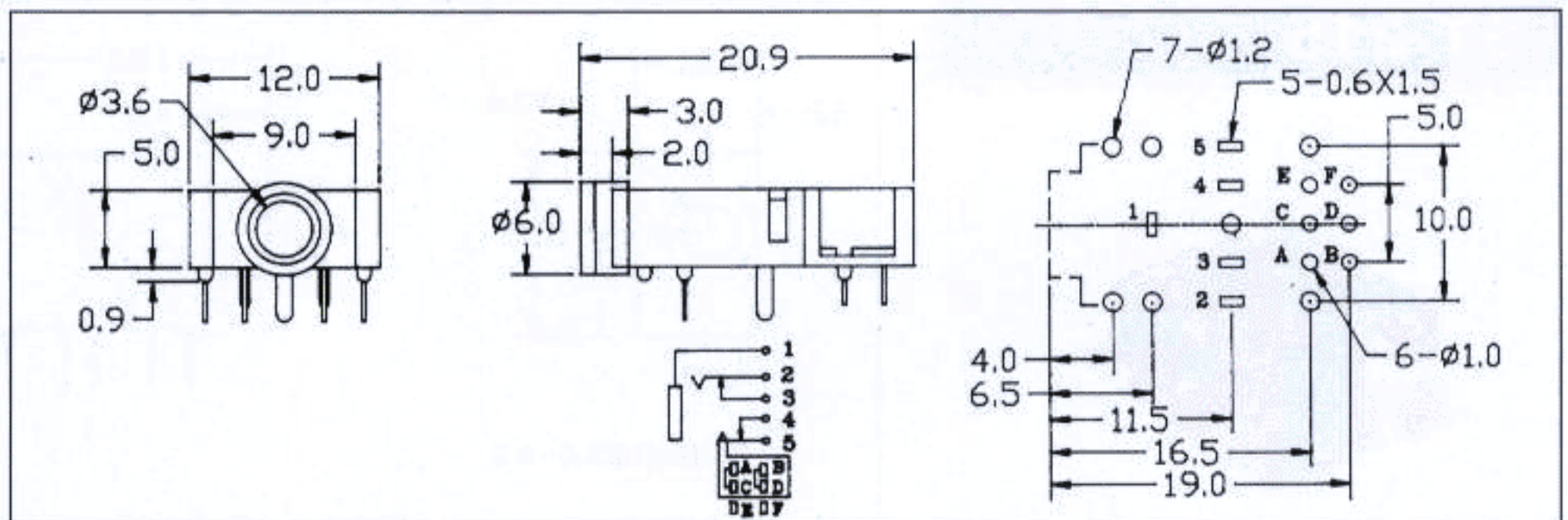
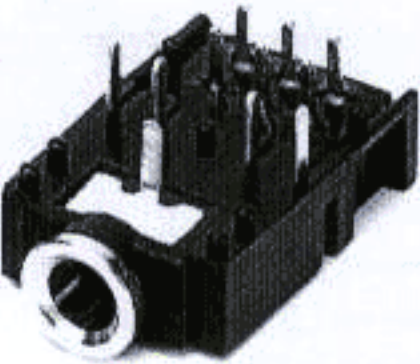
**ST-212**



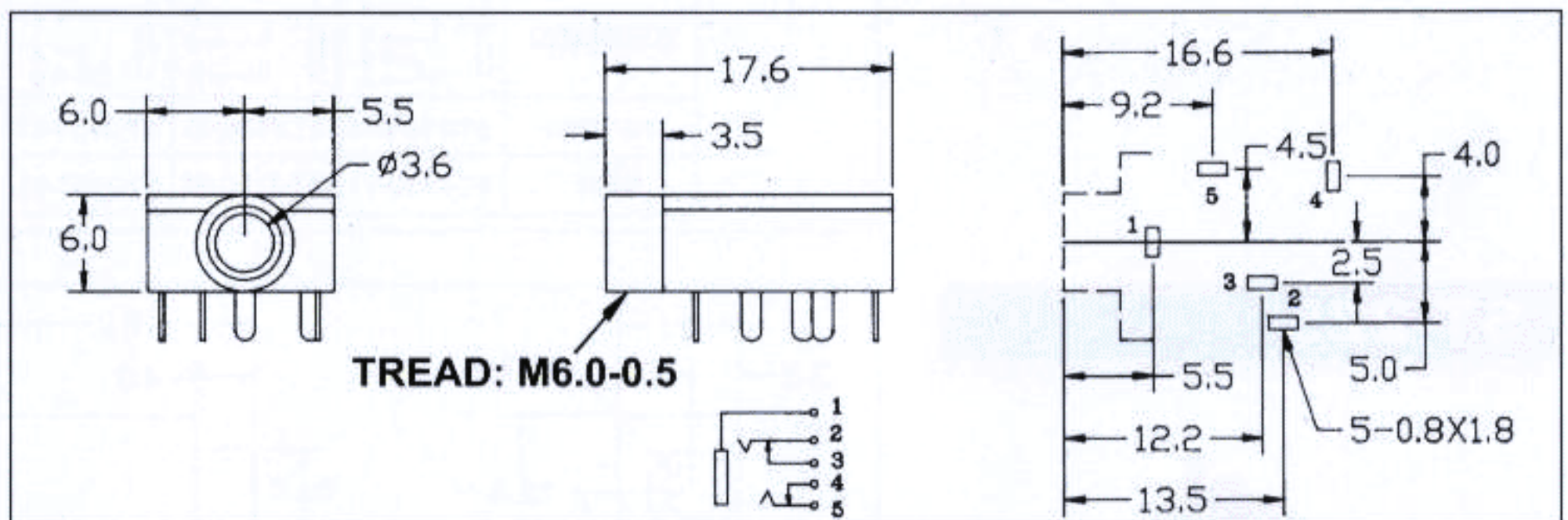
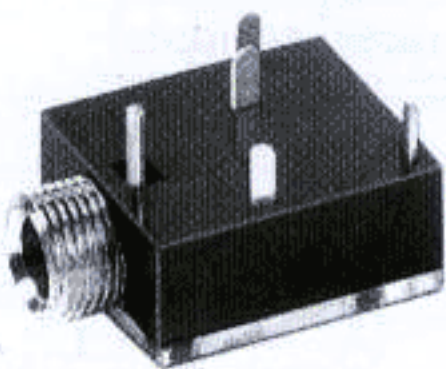
**ST-111-SWD**



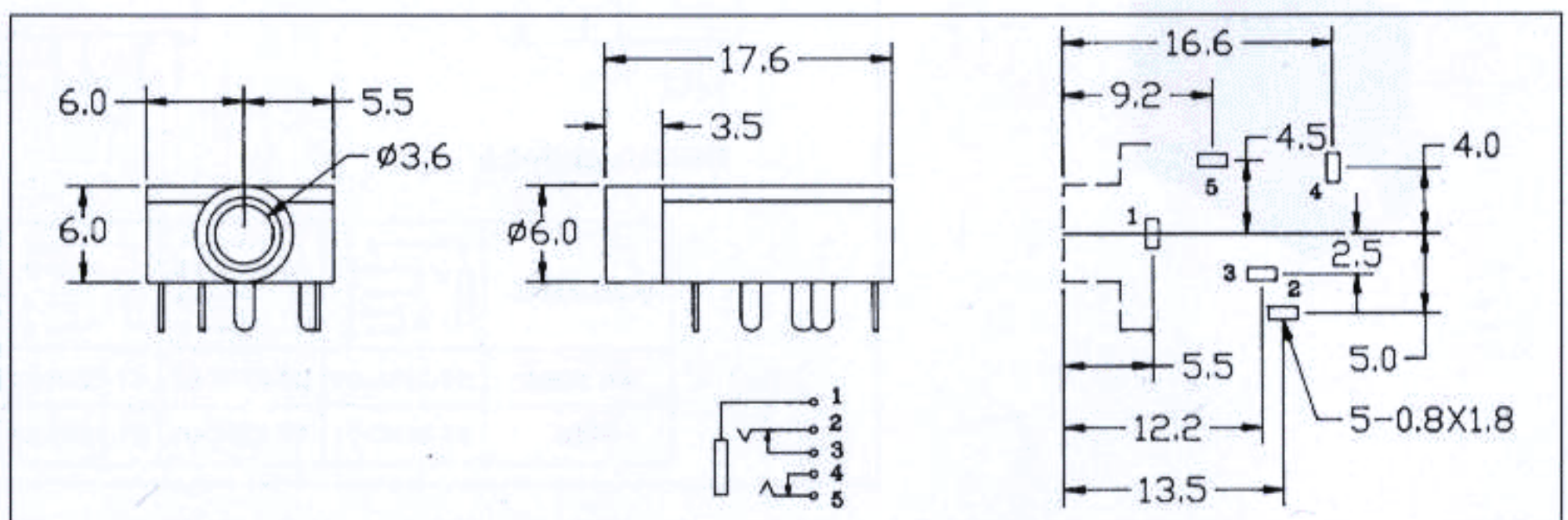
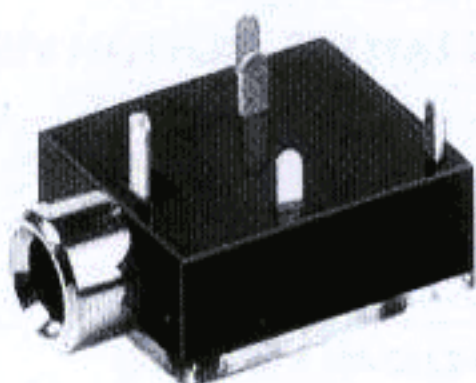
**ST-212-SWD**



**ST-214C**



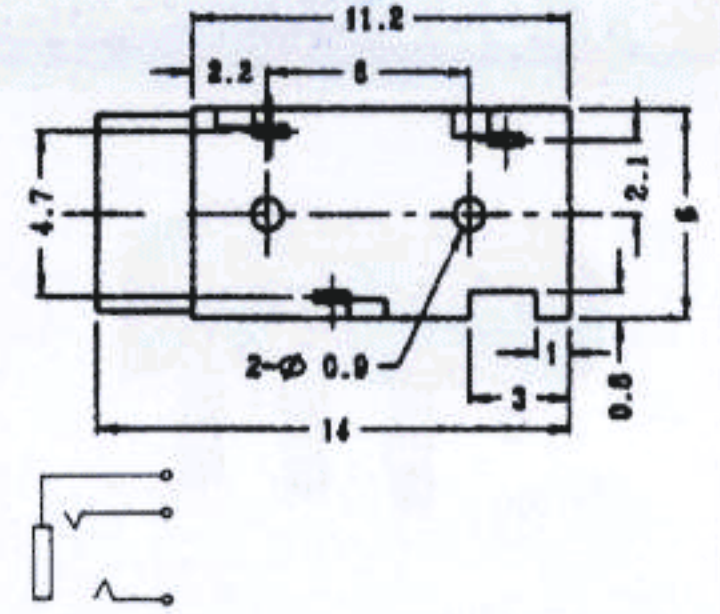
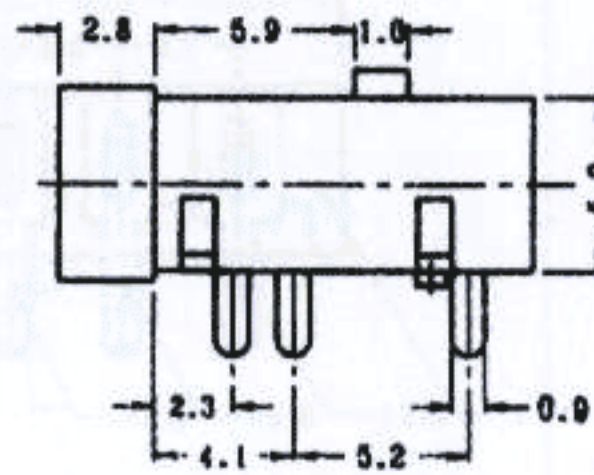
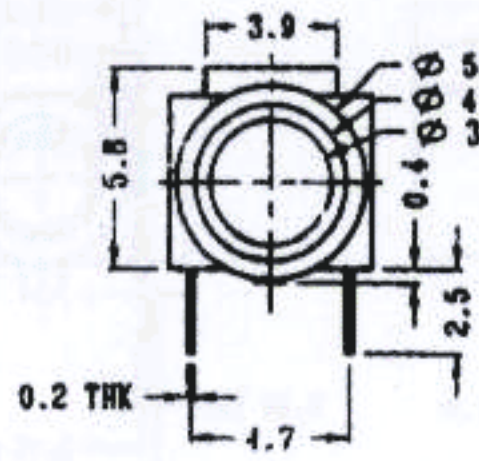
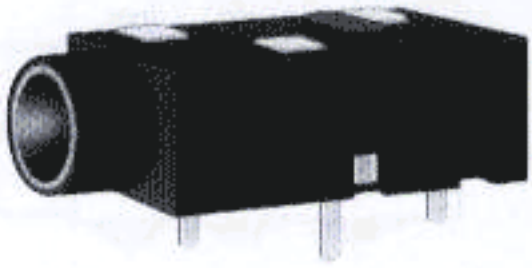
**ST-214N**



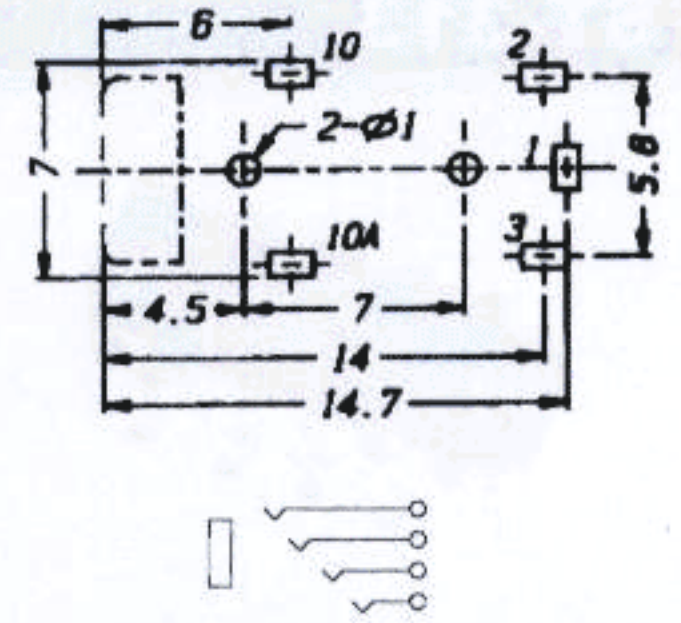
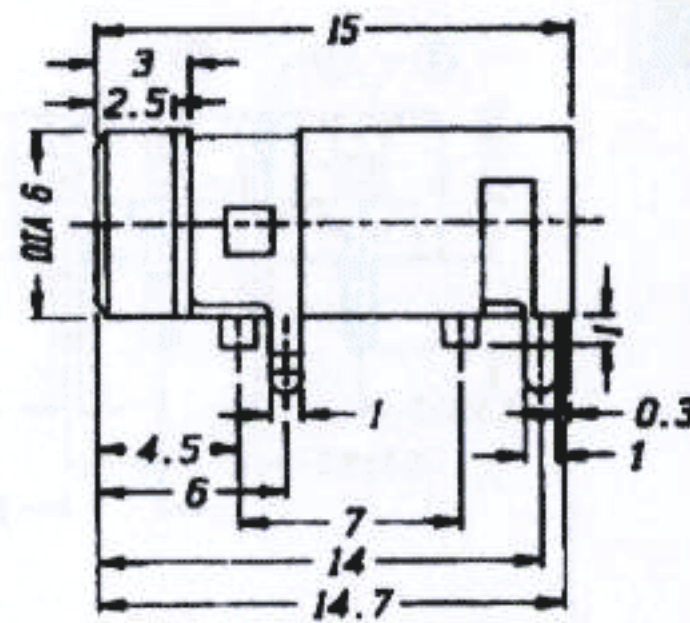
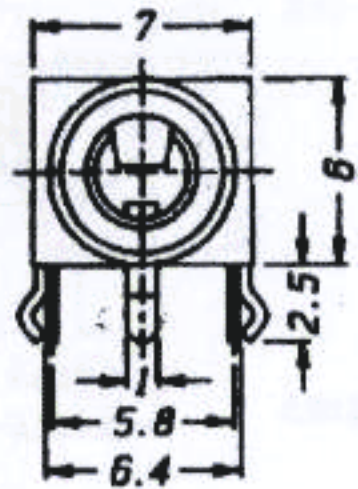
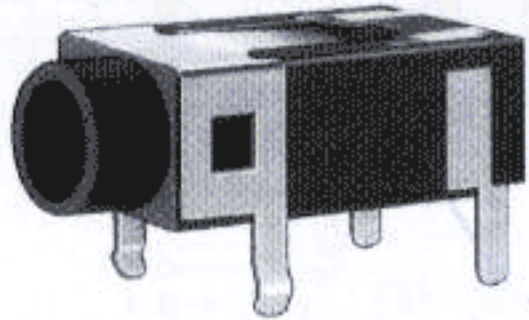


# MINIATURE PHONE JACKS

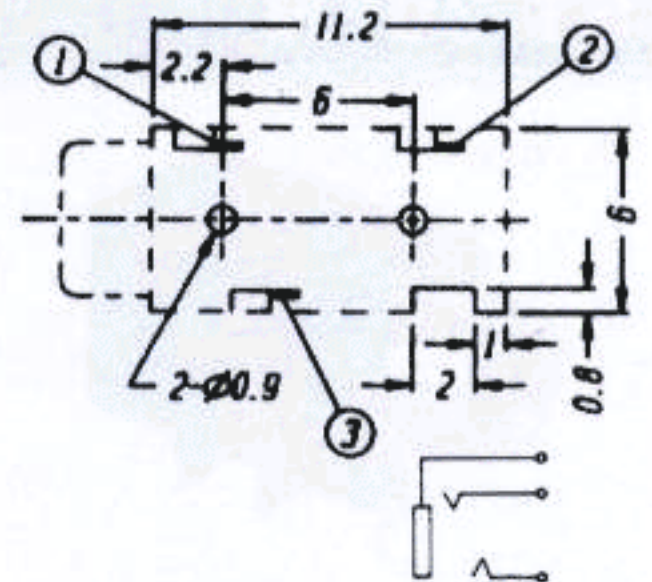
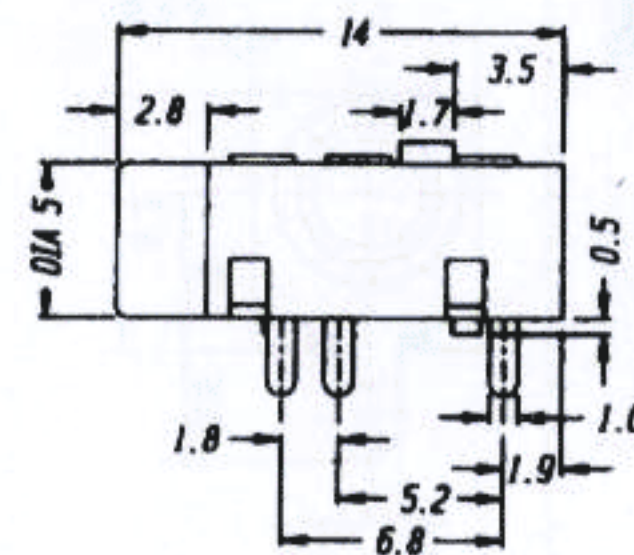
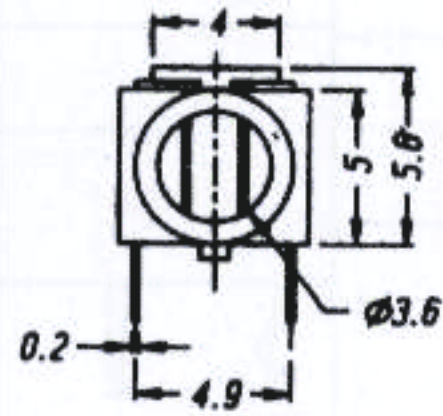
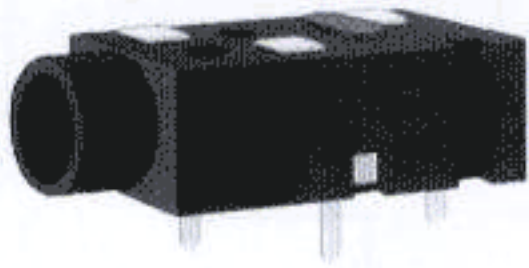
**ST-010**



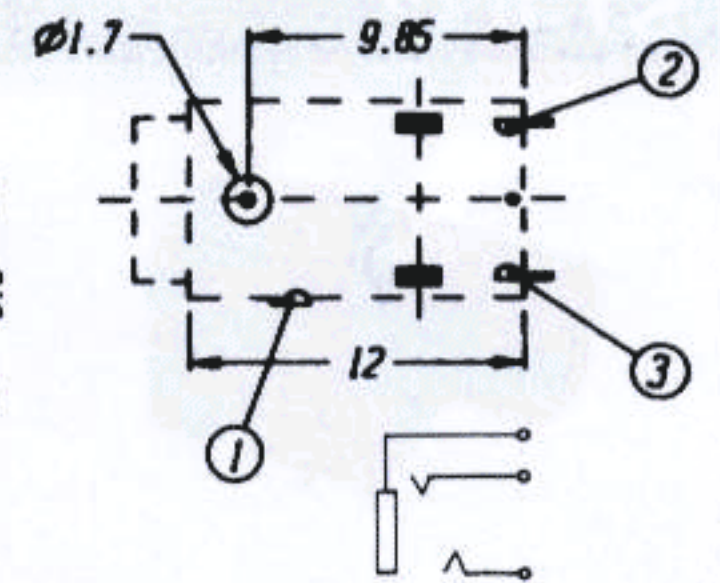
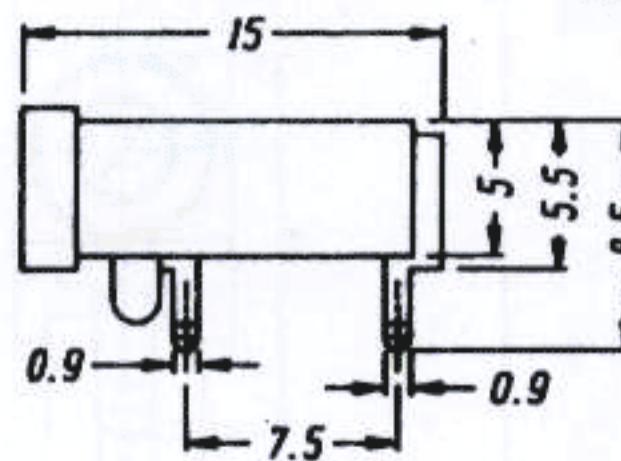
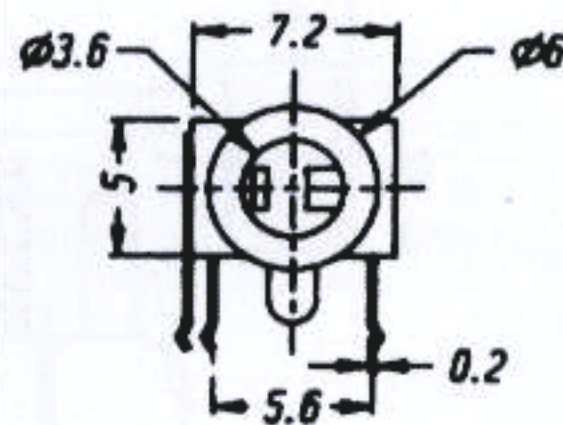
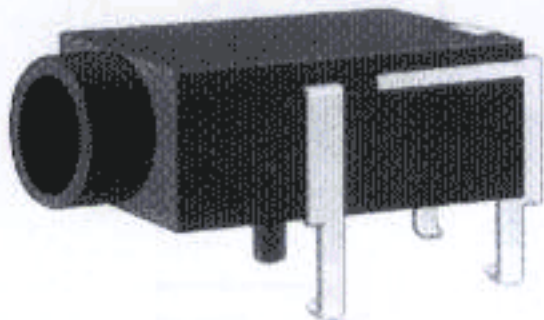
**ST-011**



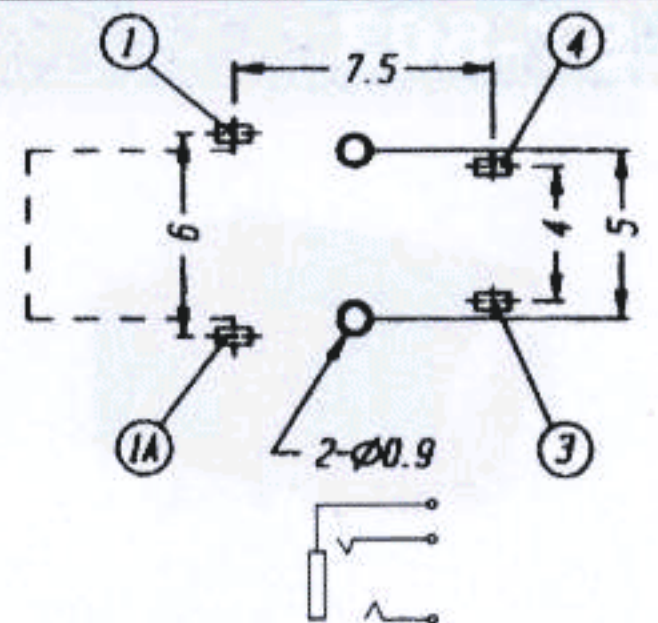
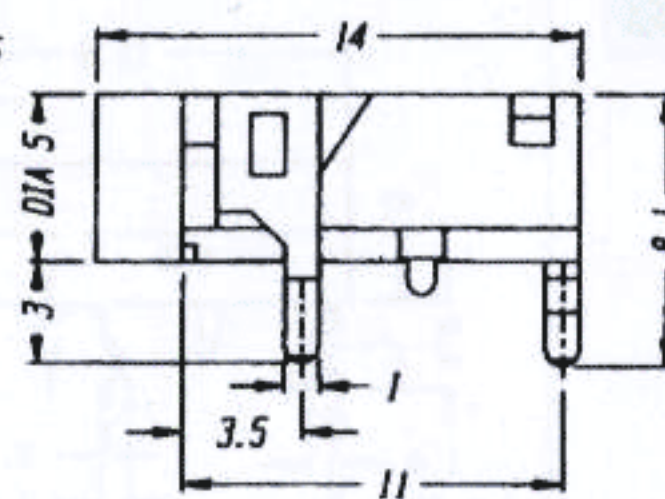
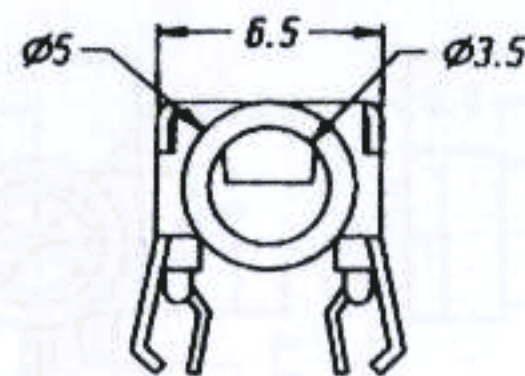
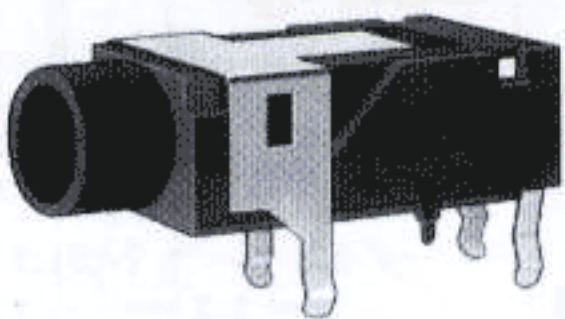
**ST-021**



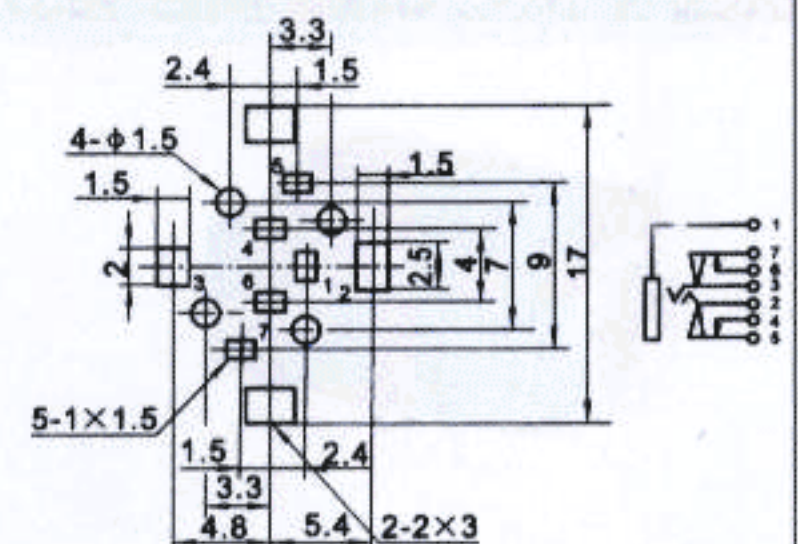
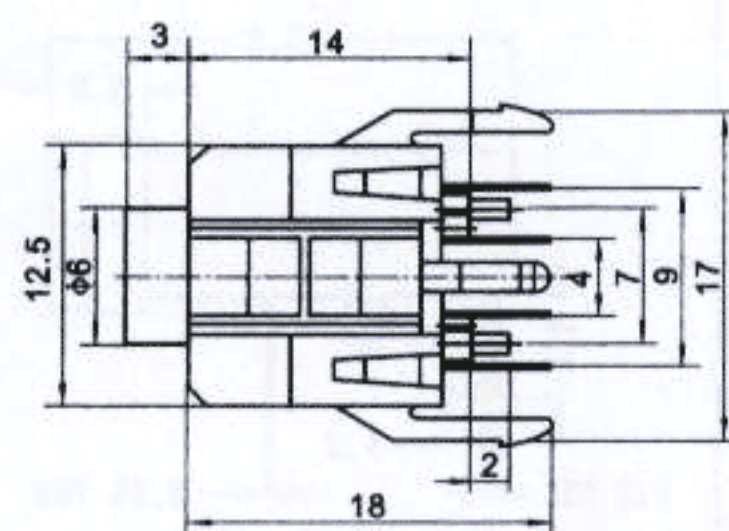
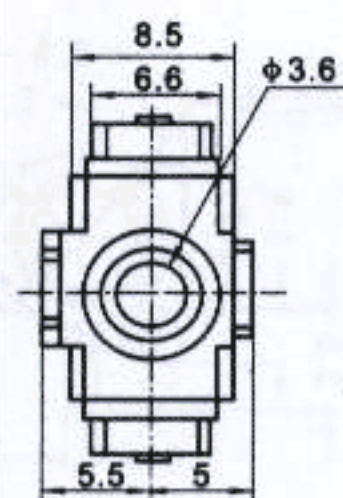
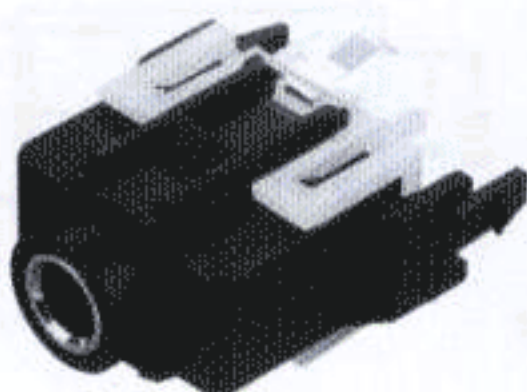
**ST-024**



**ST-025**



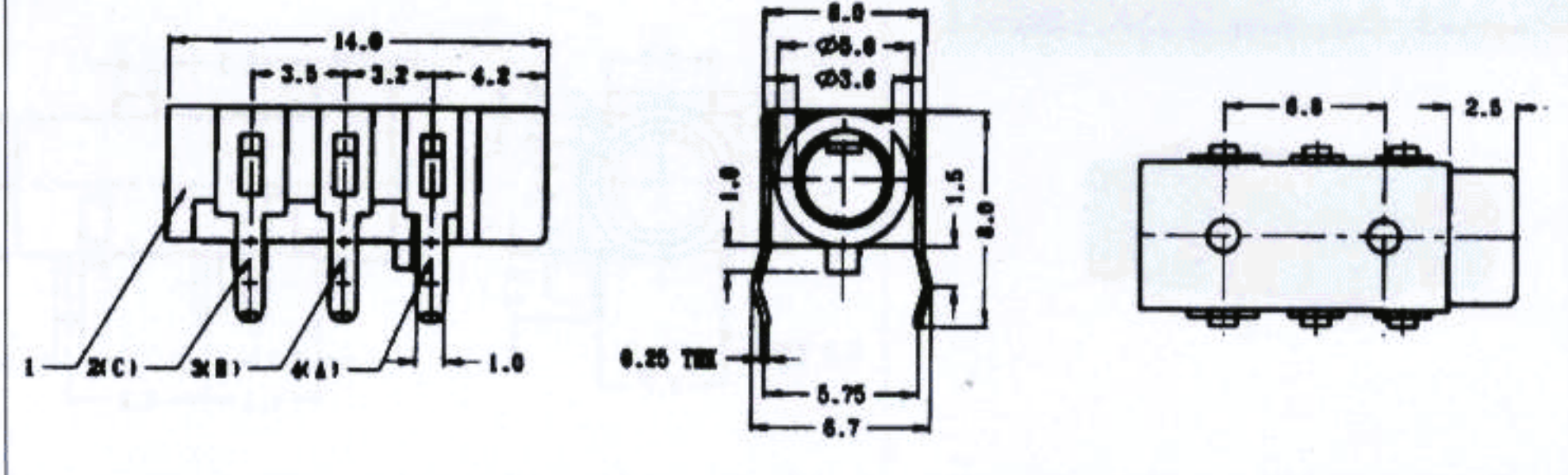
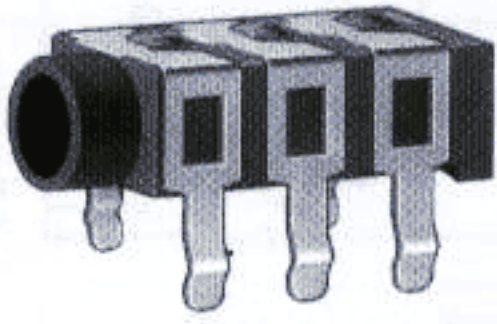
**ST-38-103**



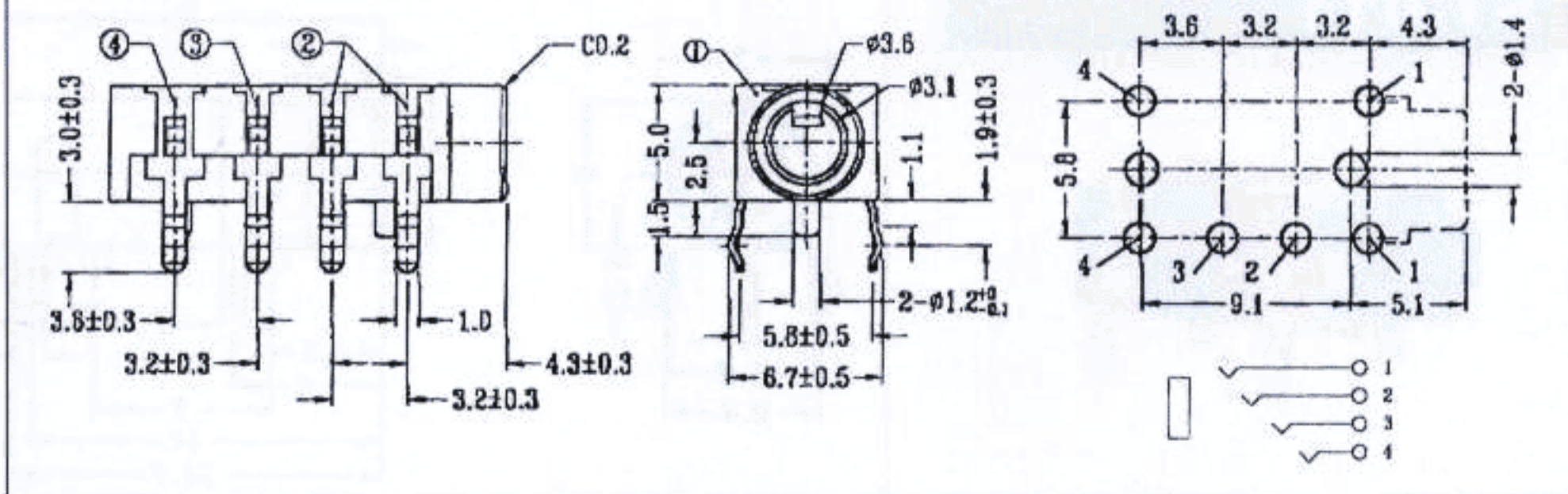
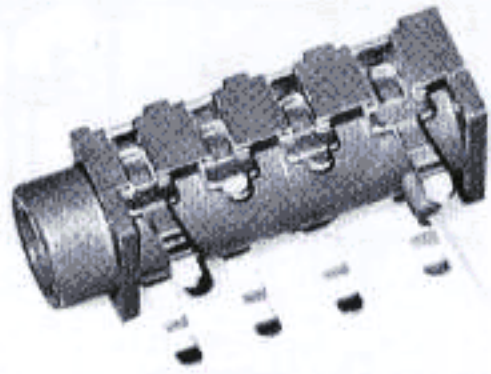


# MINIATURE PHONE JACKS

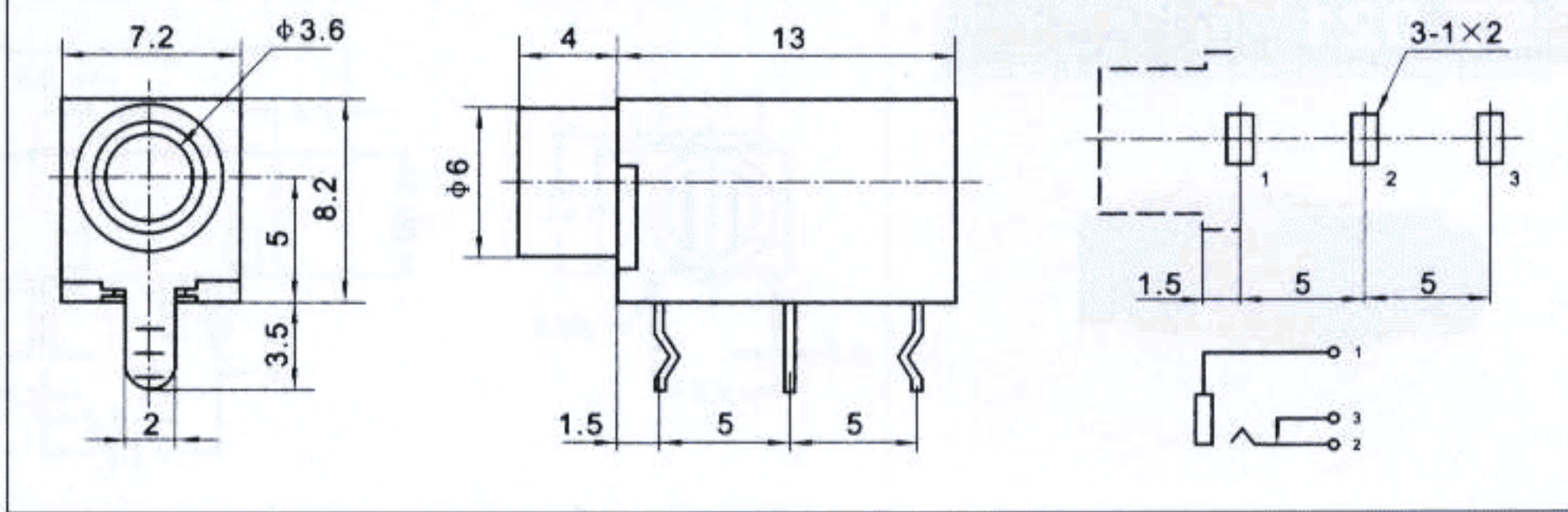
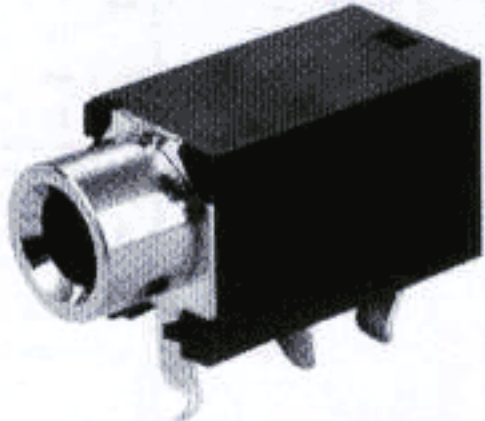
**ST-033**



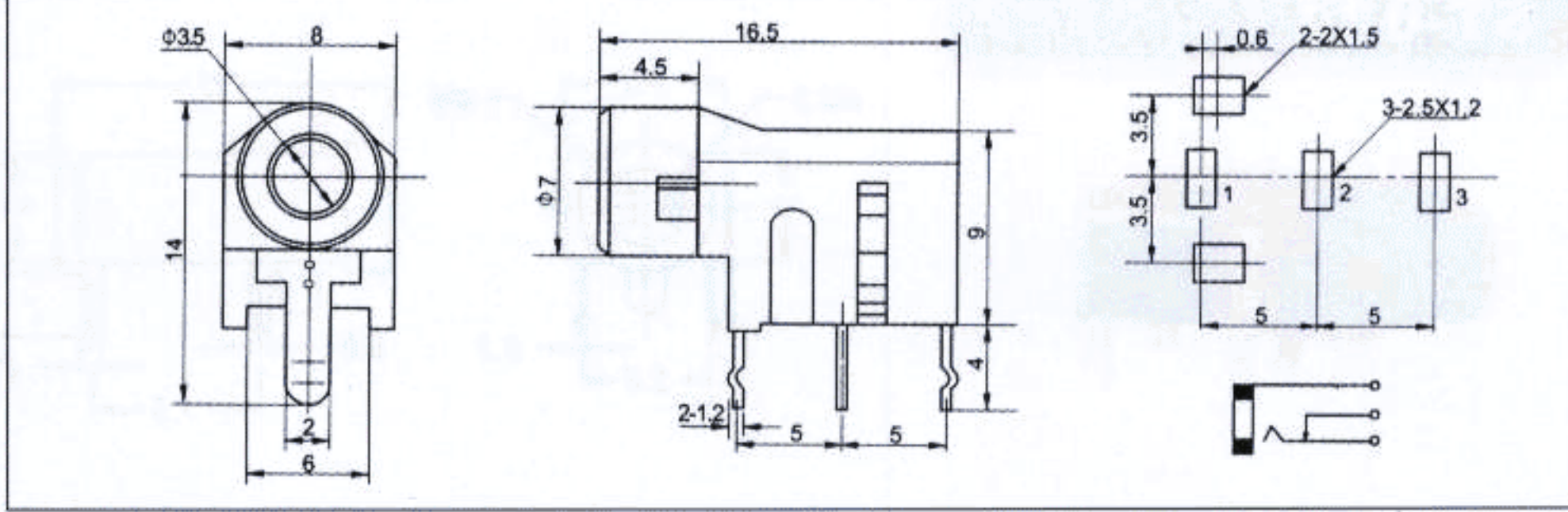
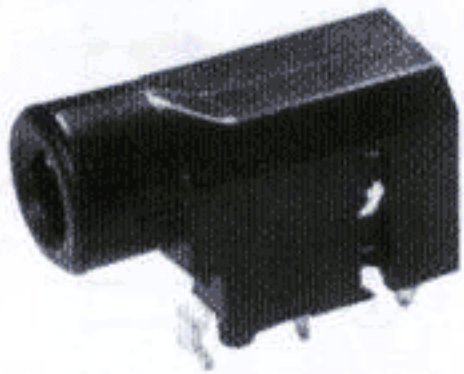
**ST-313**



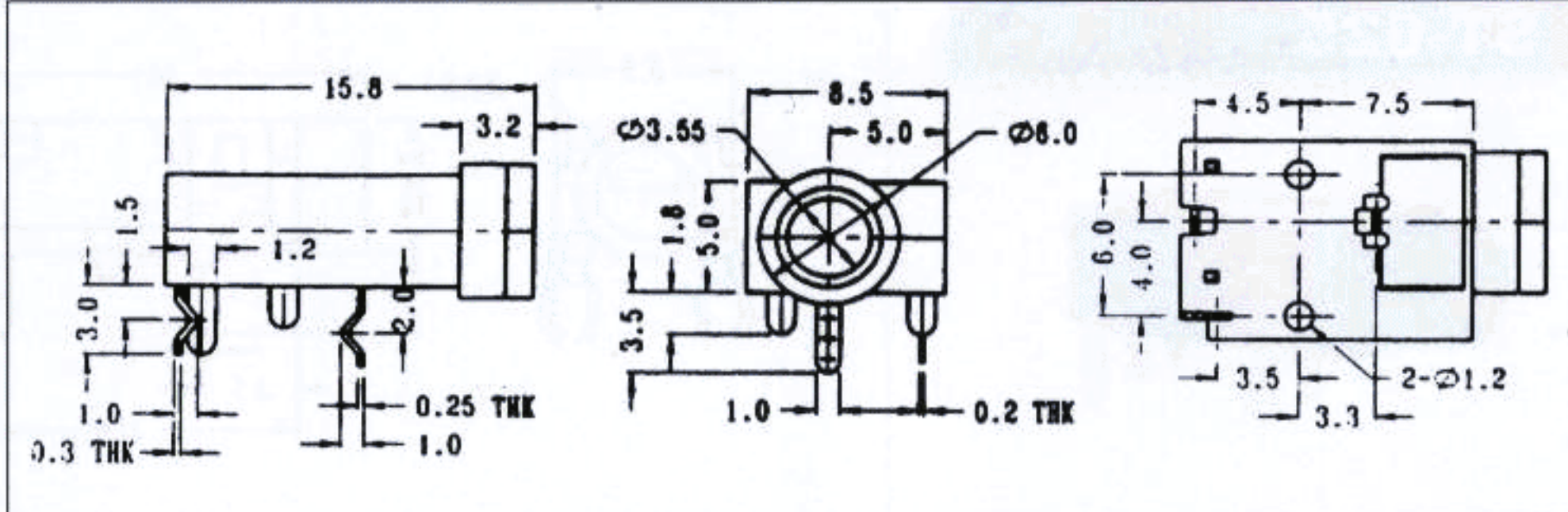
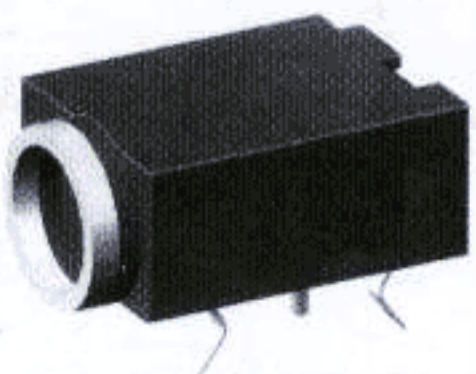
**ST-306N**



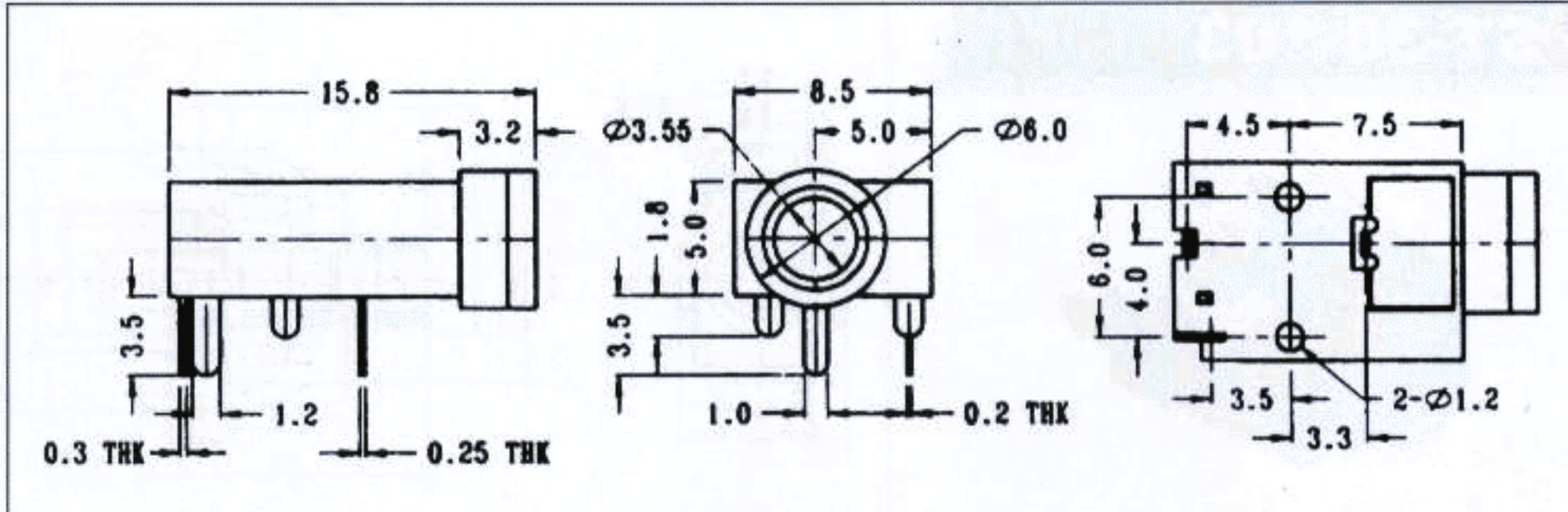
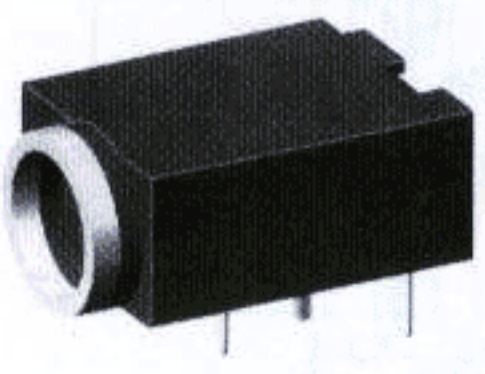
**ST-032**



**ST-603**



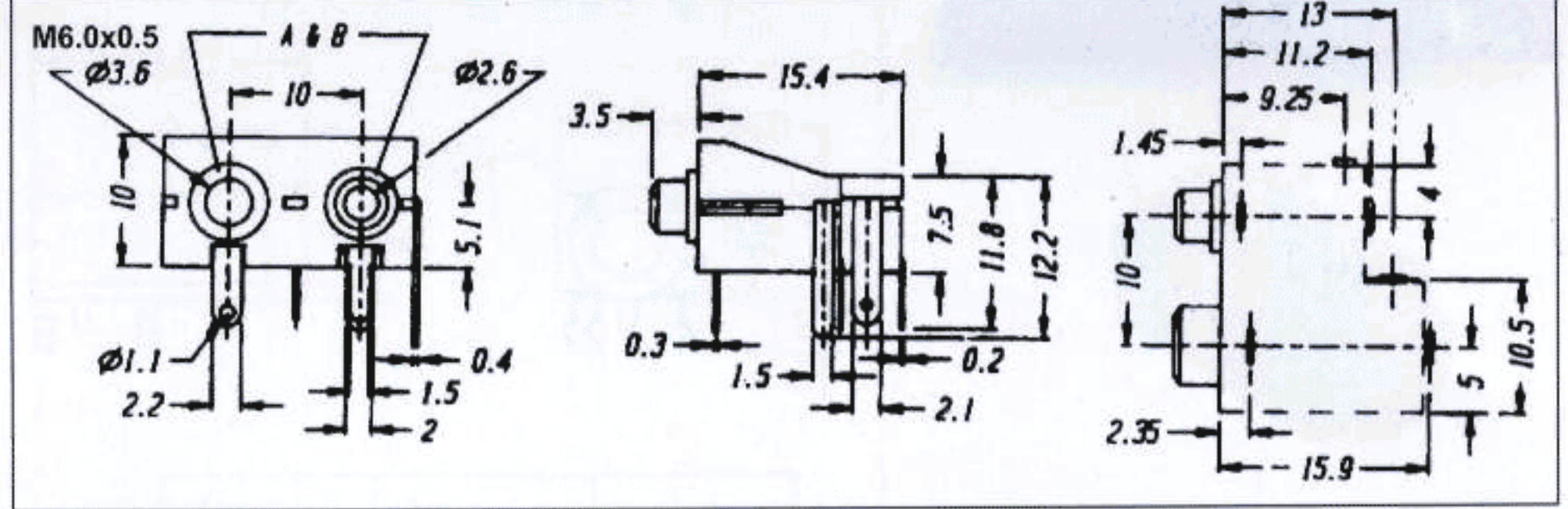
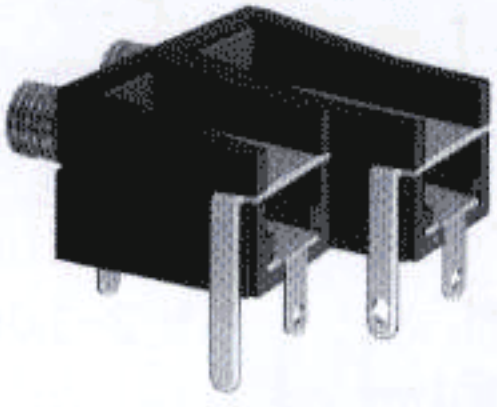
**ST-613**



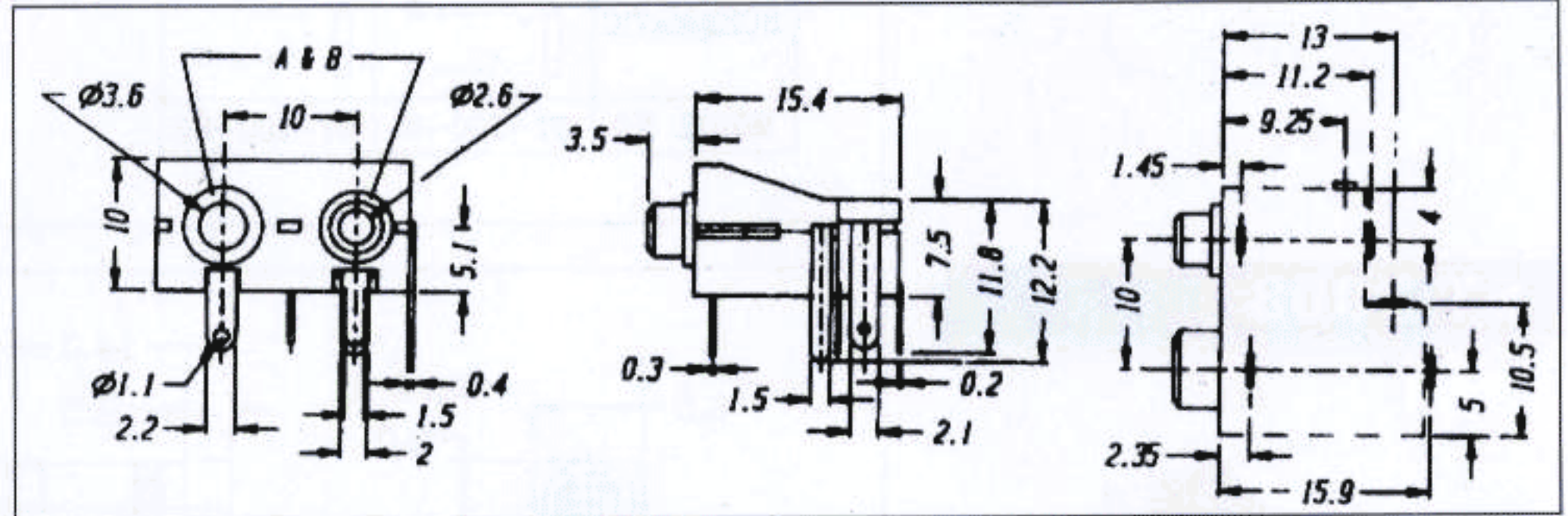
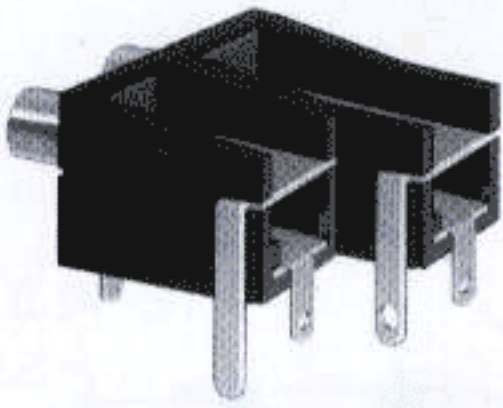


# MINIATURE PHONE JACKS

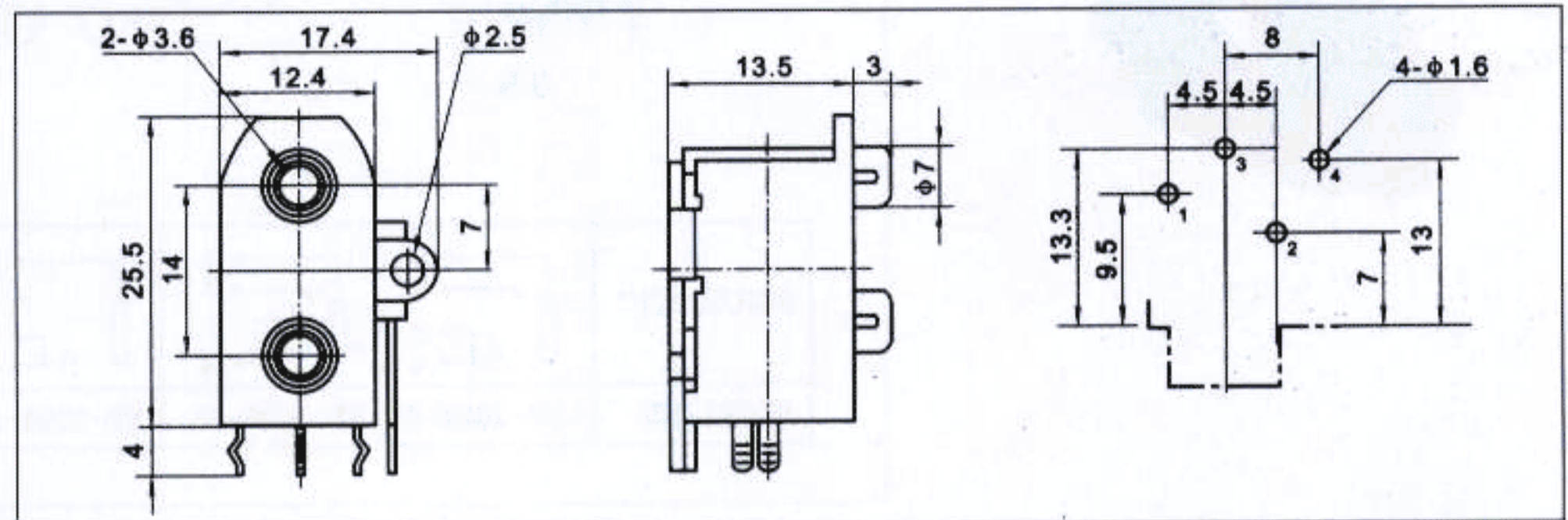
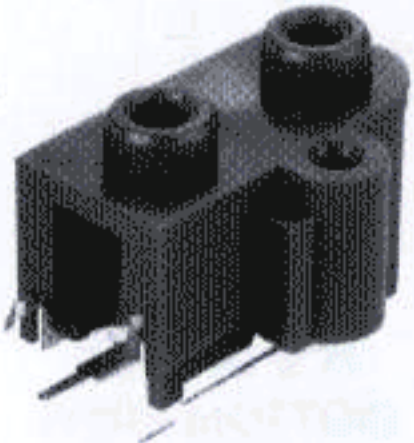
**PY-601-401C**



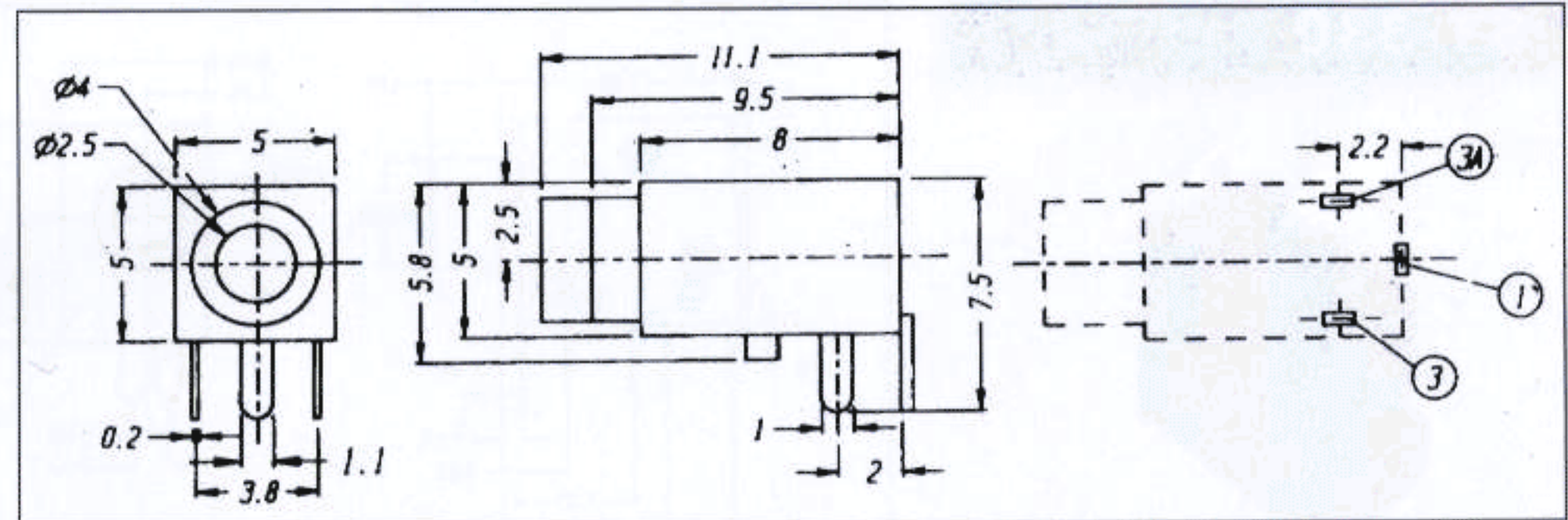
**PY-601-401N**



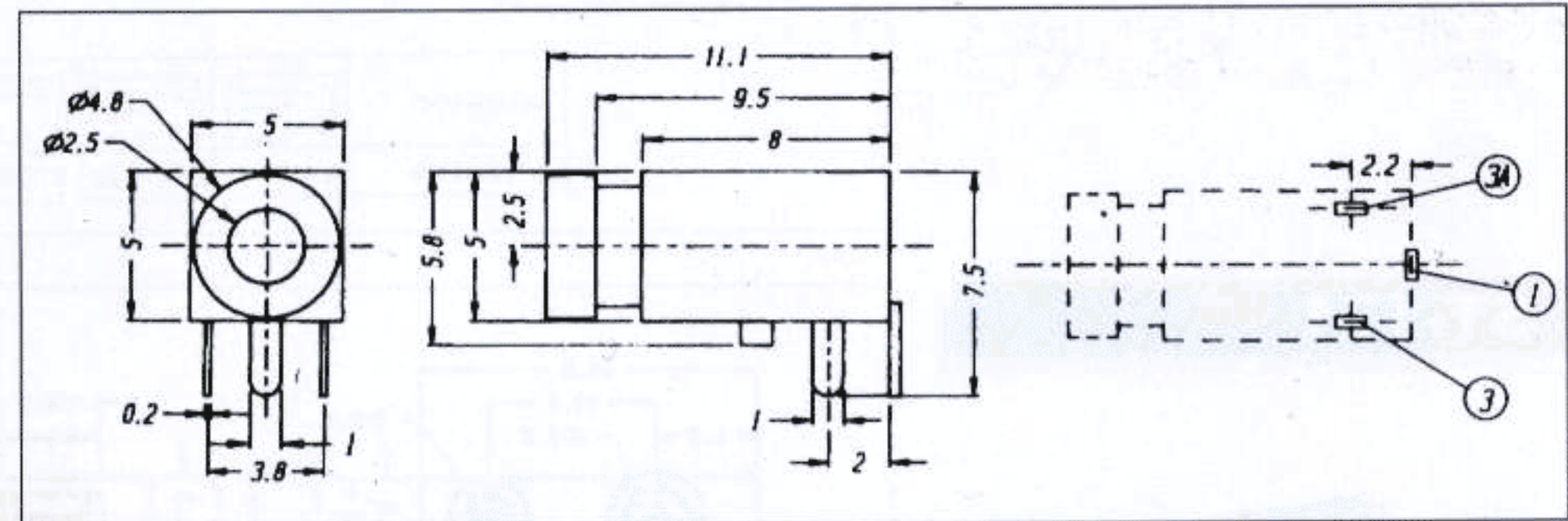
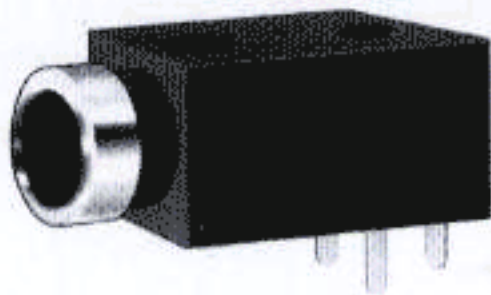
**ST-036**



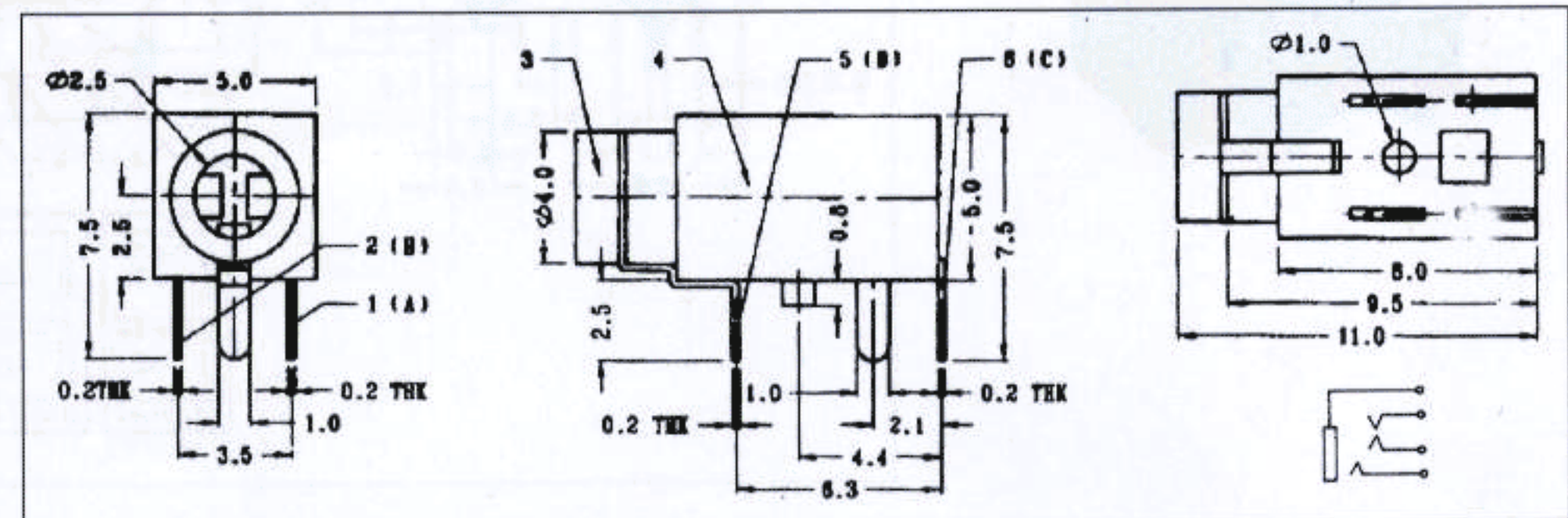
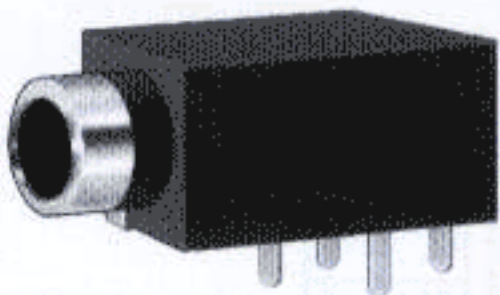
**MS-107**



**MS-108**



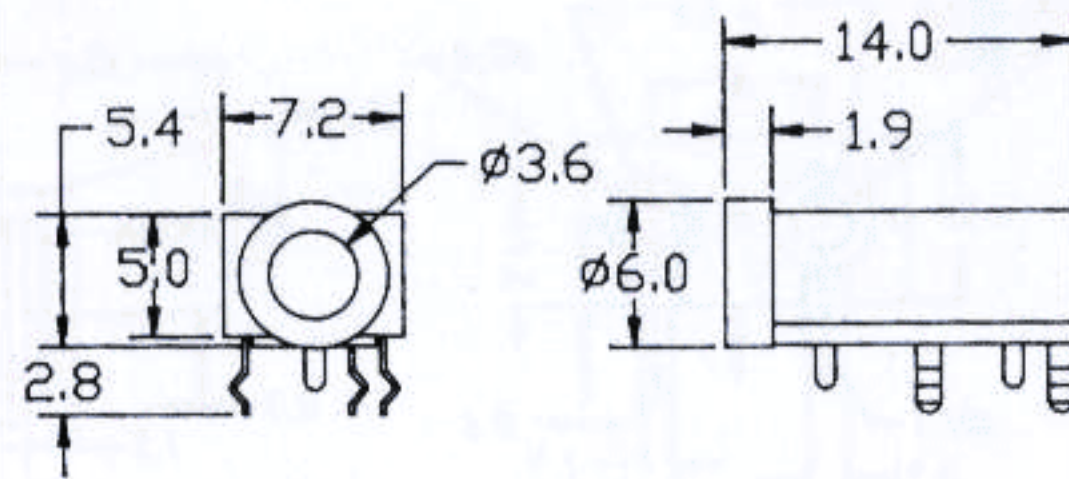
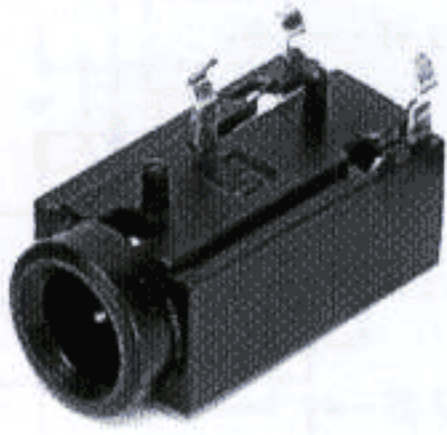
**ST-200**



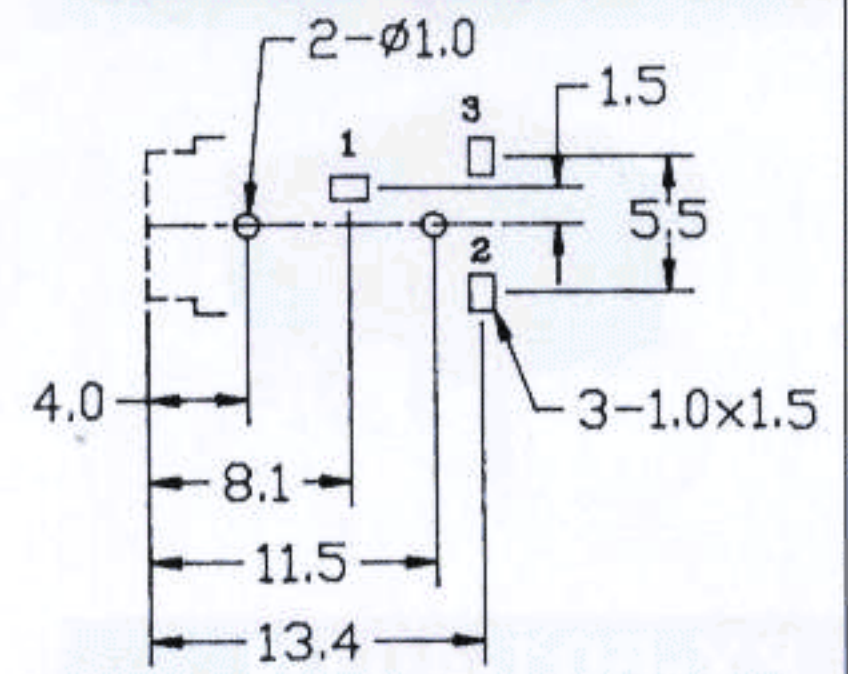


# MINIATURE PHONE JACKS

## ST-300

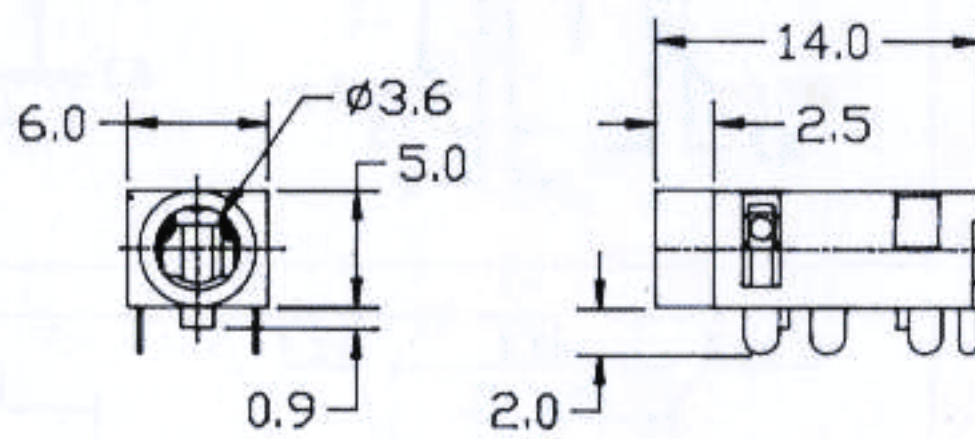
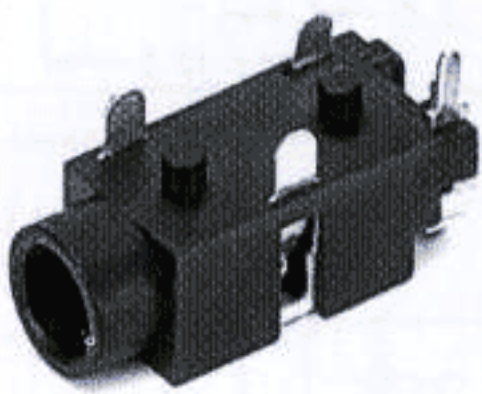


SCHEMATIC		
	MODEL NO	ST-300-01

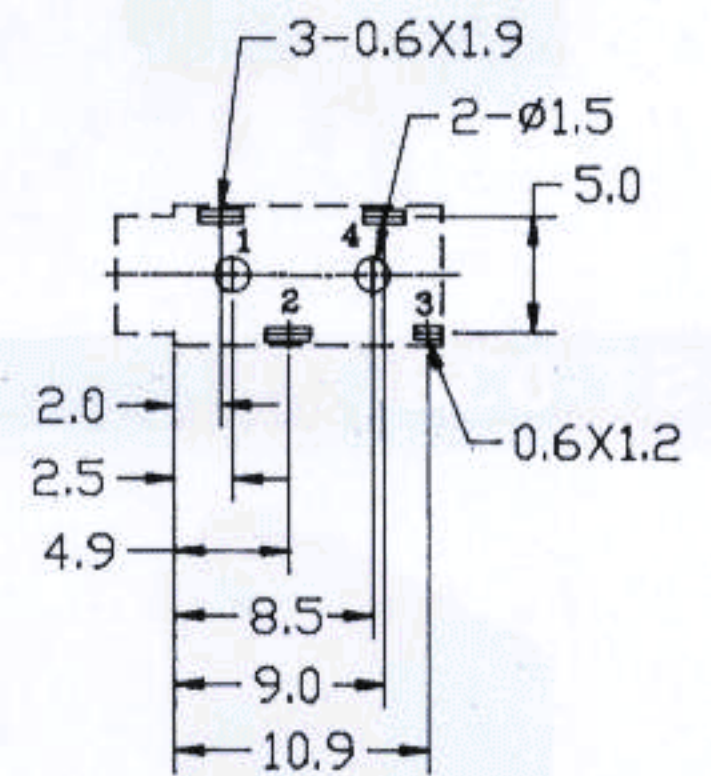


PCB LAYOUT (BOTTOM VIEW)

## ST-3008

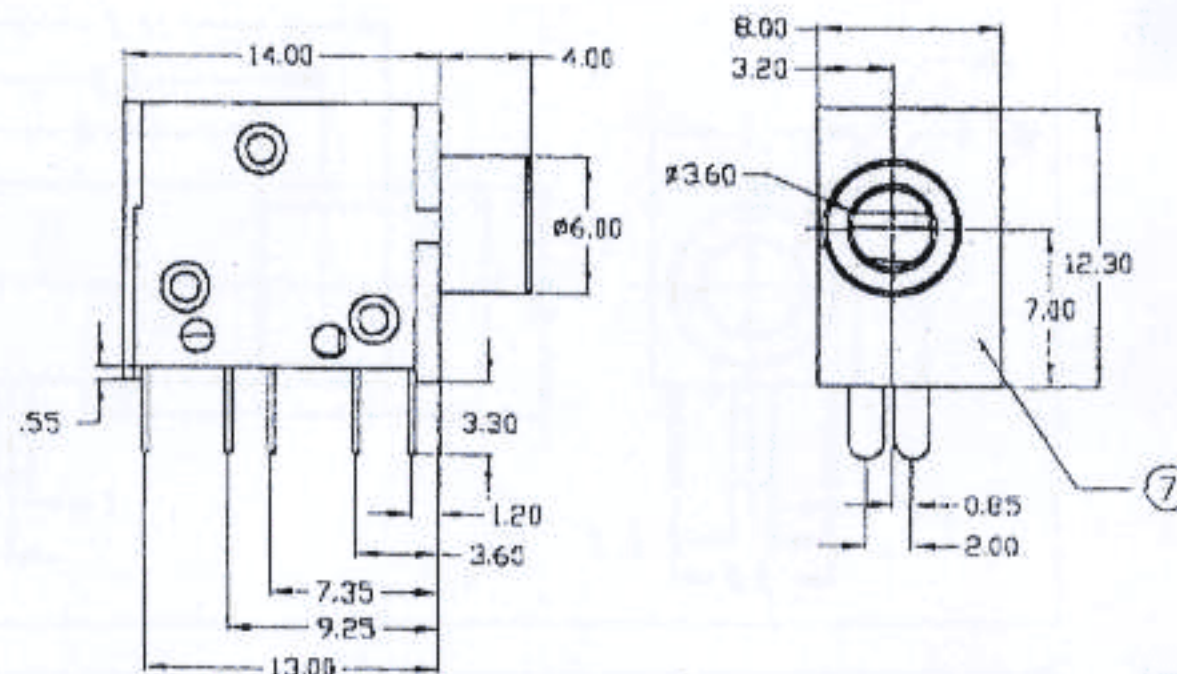
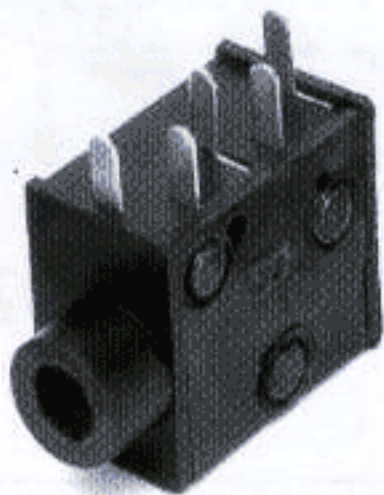


SCHEMATIC			
	MODEL NO	ST-3008-01	ST-3008-02

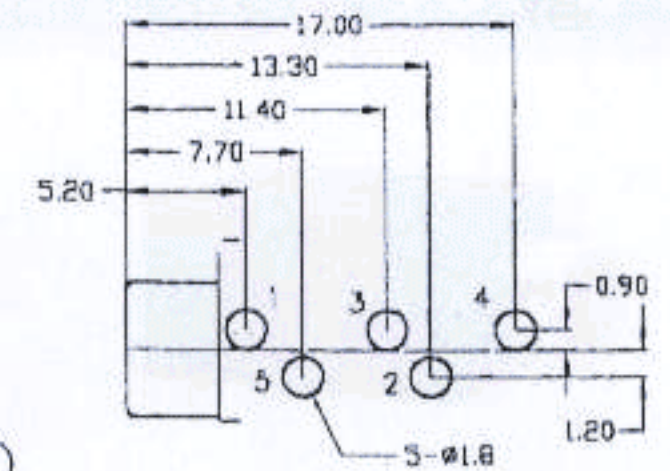


PCB LAYOUT (BOTTOM VIEW)

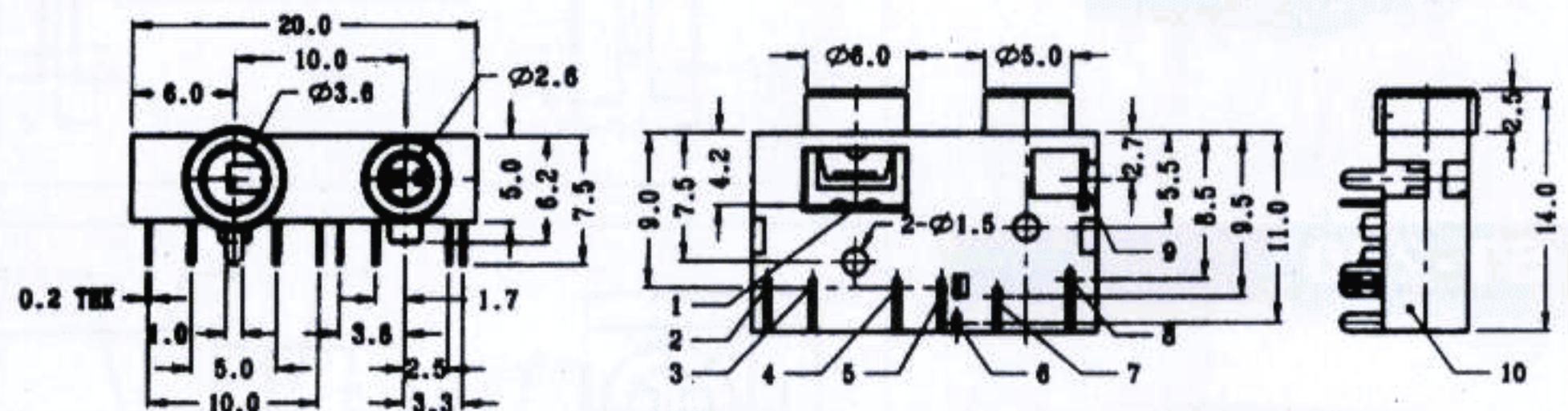
## ST-330



SCHEMATIC						
	PART NO.	ST-330-01	ST-330-02	ST-330-03	ST-330-04	ST-330-05



## ST-171

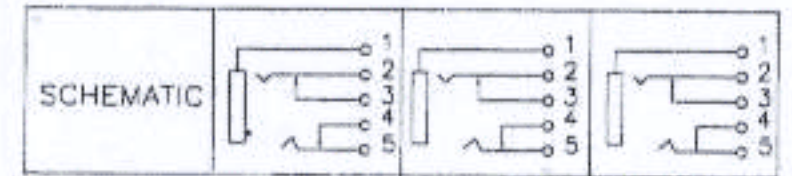
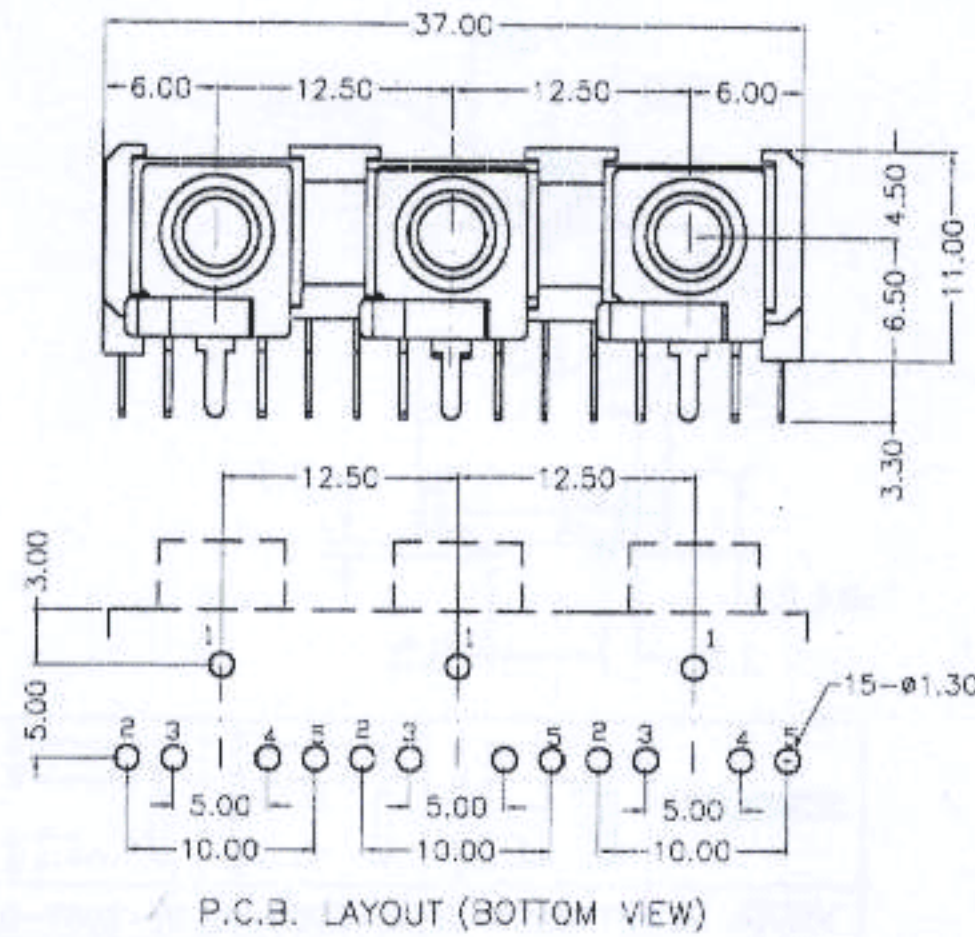
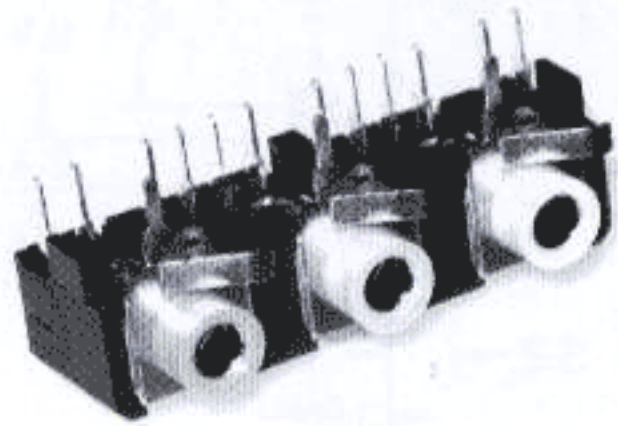


ST-171-01	ST-171-02	ST-171-03	ST-171-04

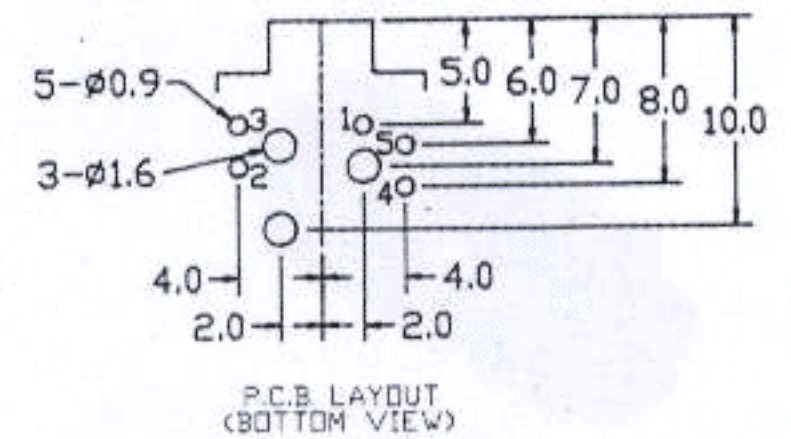
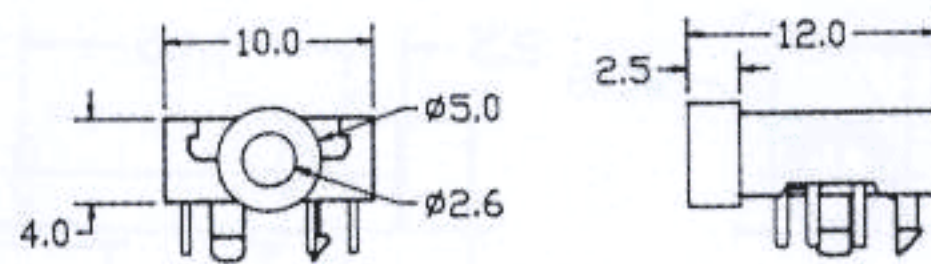
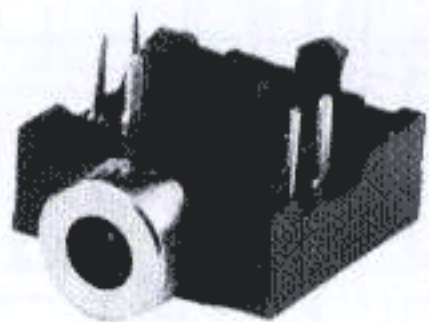


# MINIATURE PHONE JACKS

## ST-329G3-AE-B

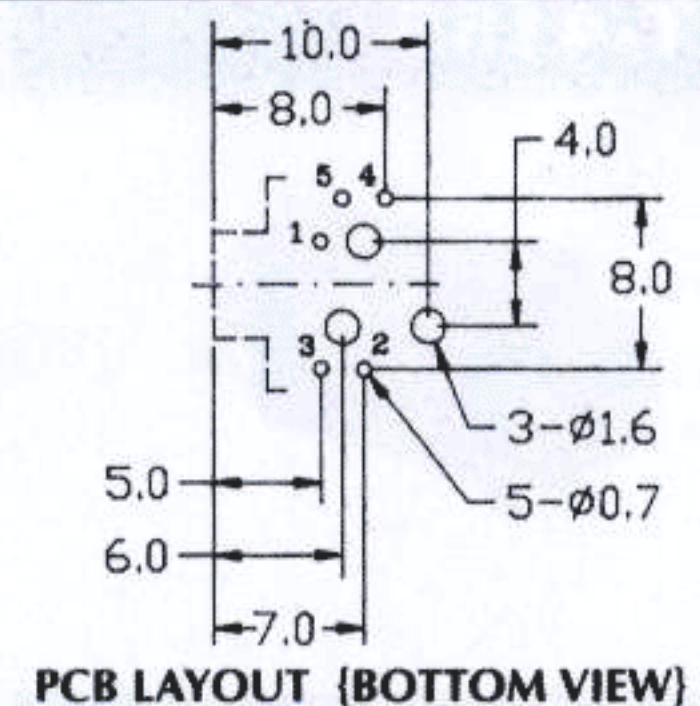
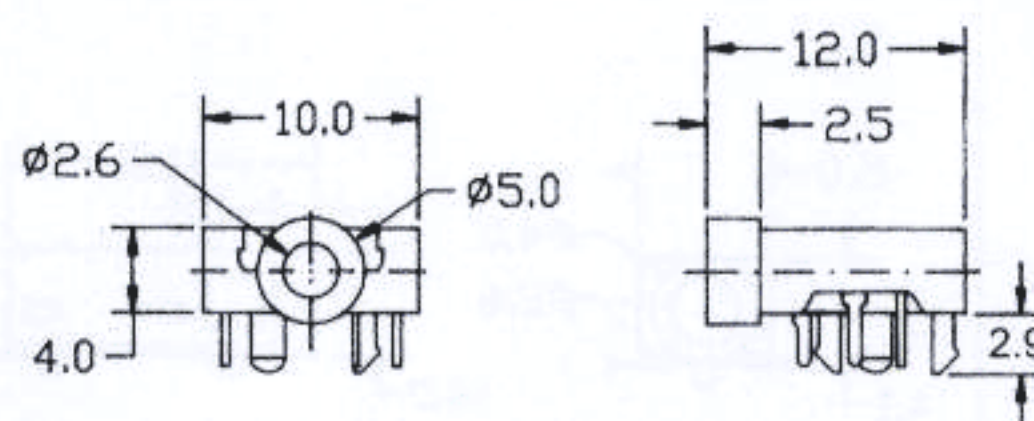
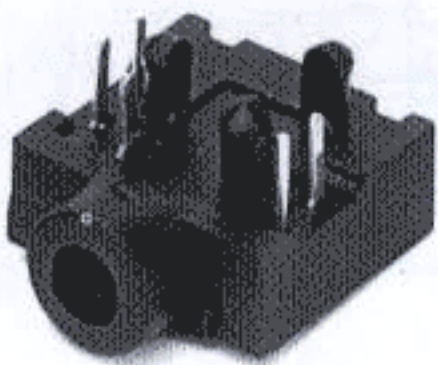


## ST-039



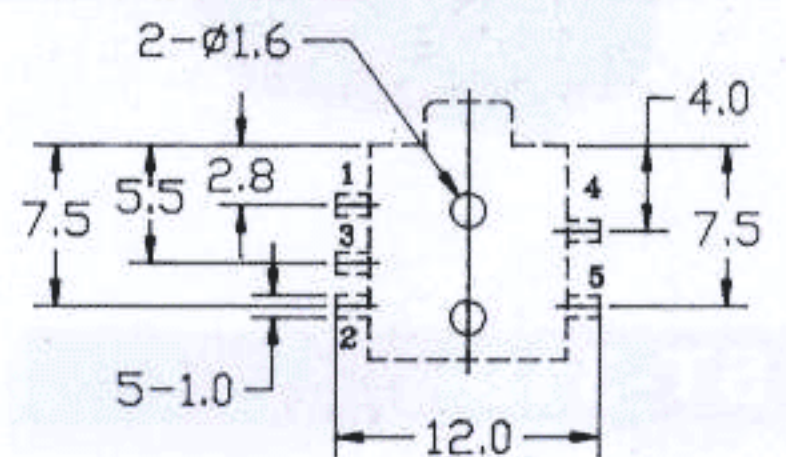
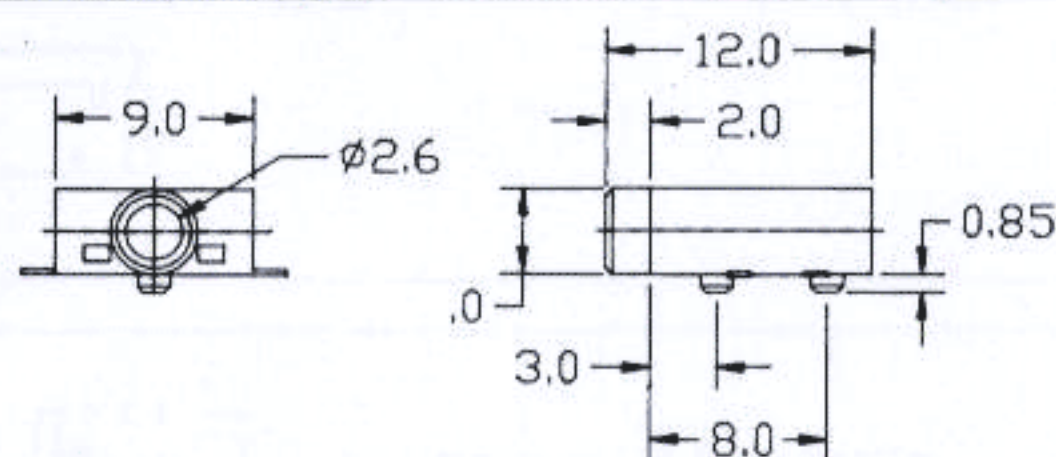
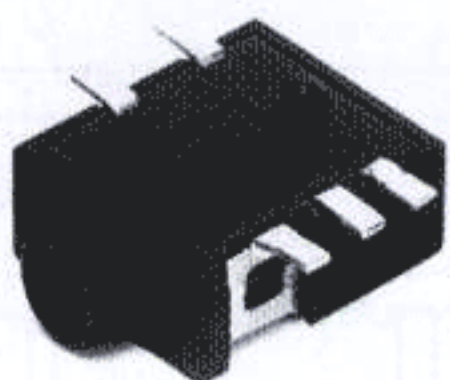
SCHEMATIC						
MODEL NO	ST-039-01	ST-039-02	ST-039-03	ST-039-04	ST-039-05	ST-039-06

## ST-039R



SCHEMATIC						
MODEL NO	ST-039R-01	ST-039R-02	ST-039R-03	ST-039R-04	ST-039R-05	ST-039R-06

## ST-3006

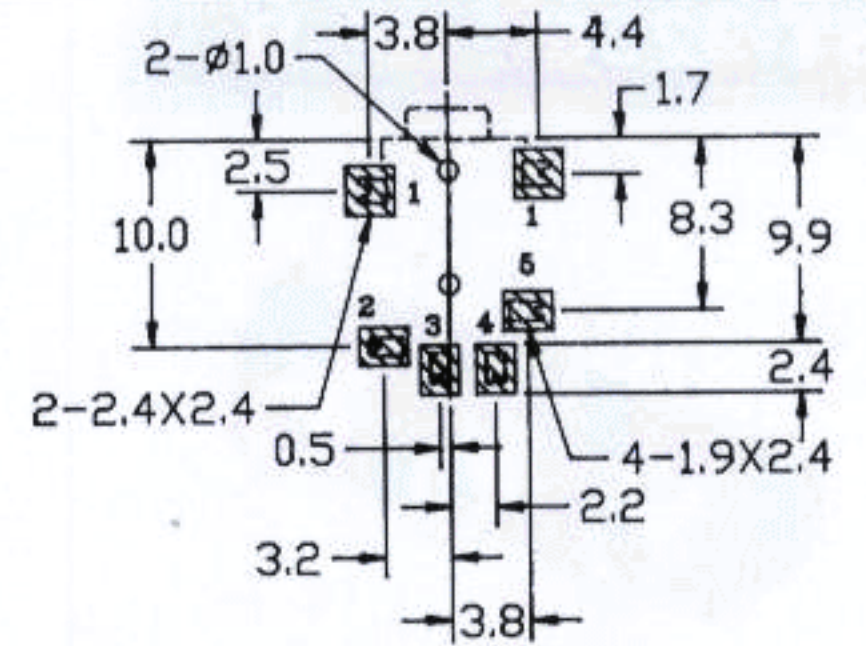
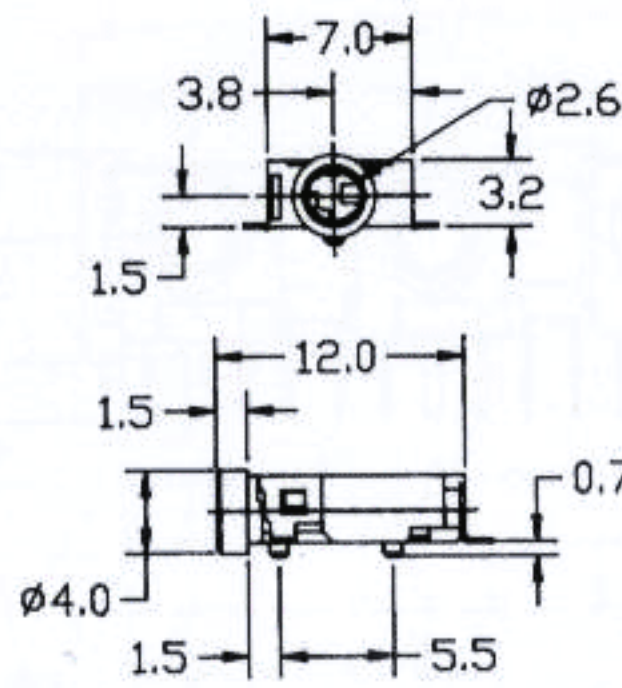
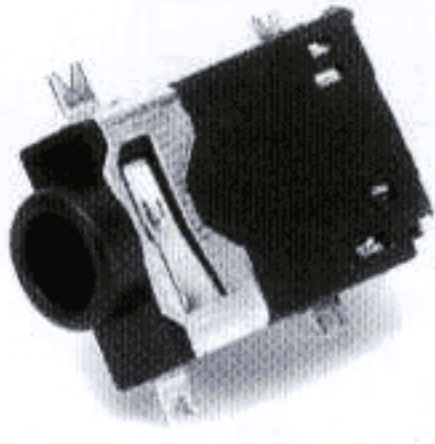


SCHEMATIC						
MODEL NO	ST-3006-01	ST-3006-02	ST-3006-03	ST-3006-04	ST-3006-05	ST-3006-06



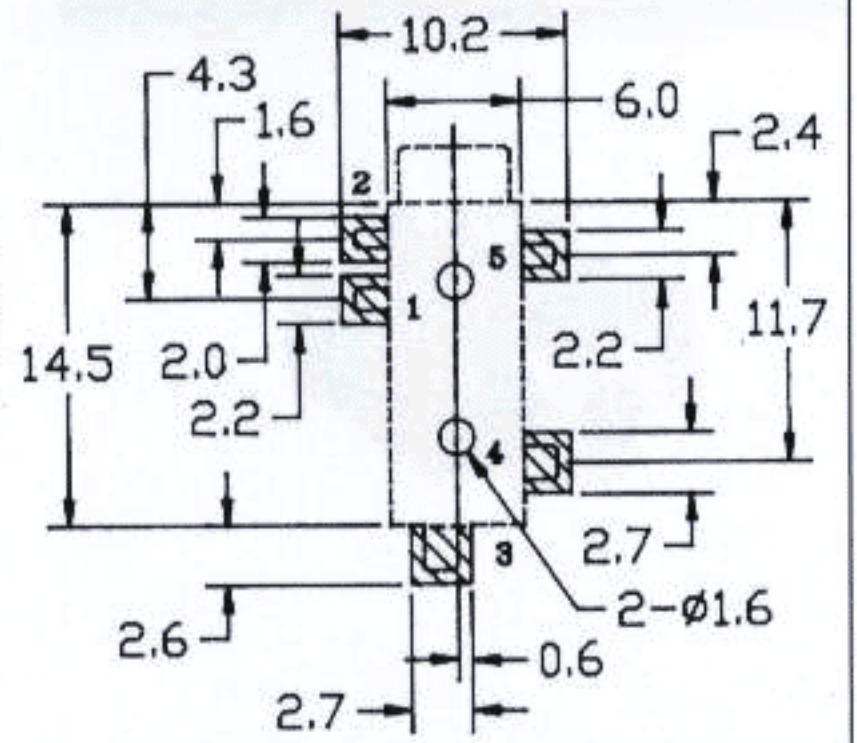
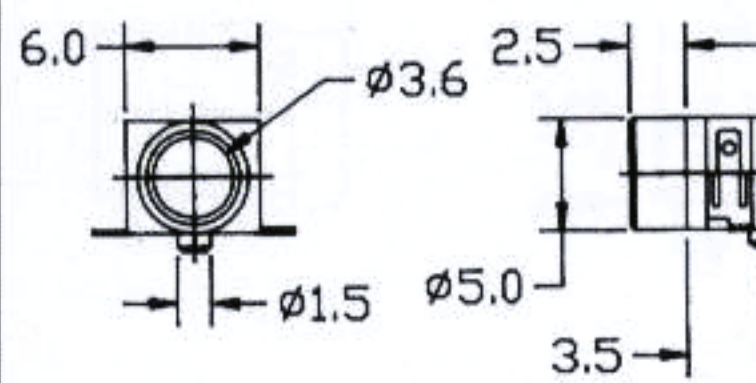
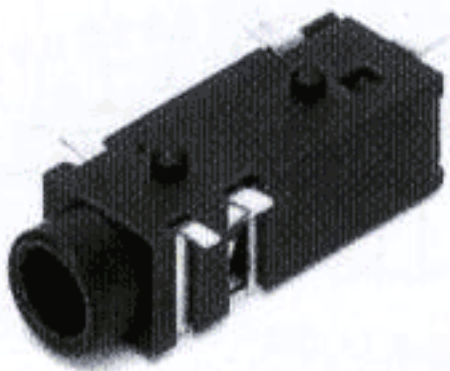
# MINIATURE PHONE JACKS

## ST-3007



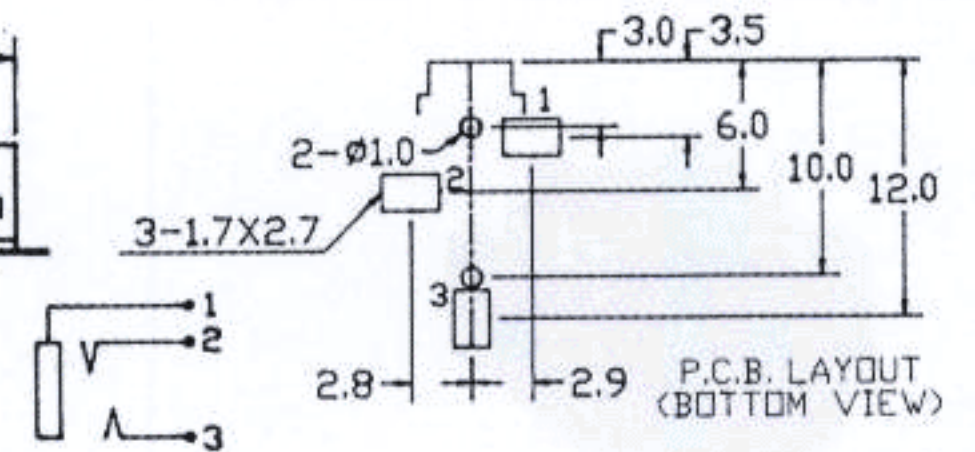
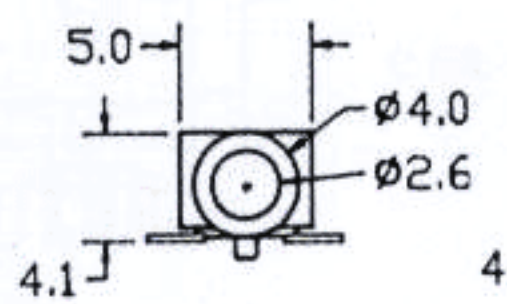
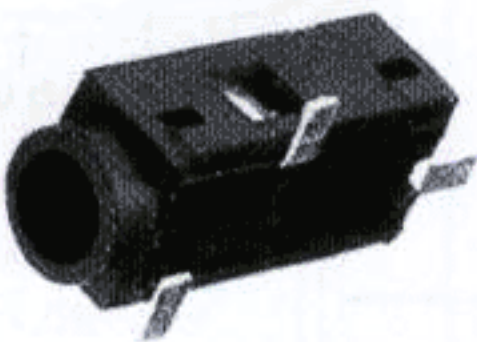
SCHEMATIC	1	2	3	4	5	6
MODEL NO	ST-3007-01	ST-3007-02	ST-3007-03	ST-3007-04	ST-3007-05	ST-3007-06

## ST-3009

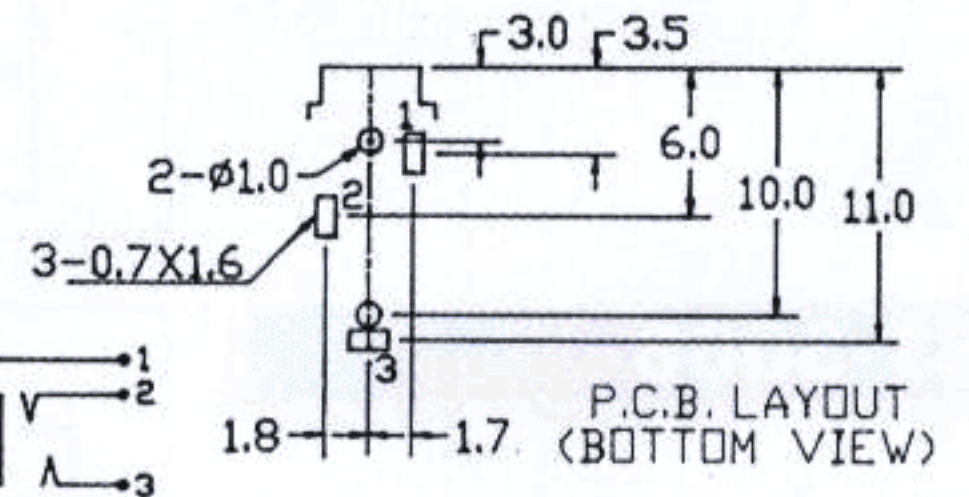
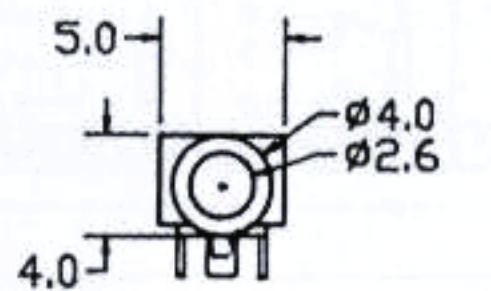


SCHEMATIC	6	1	2	3	4
MODEL NO	ST-3009-01	ST-3009-02	ST-3009-03		

## ST-415B



## ST-415N



## ST-319

