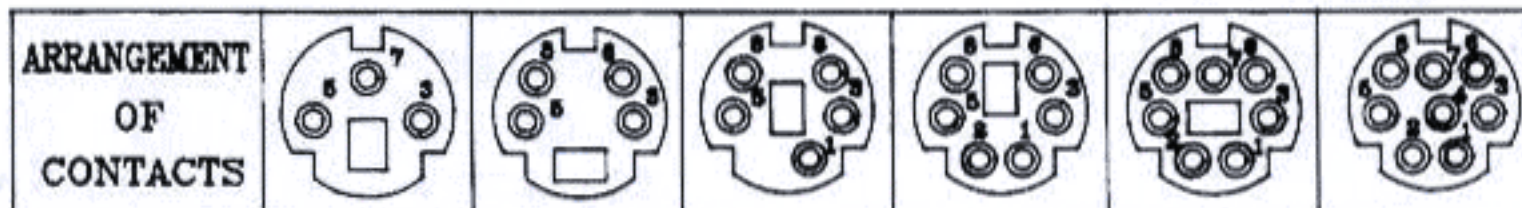
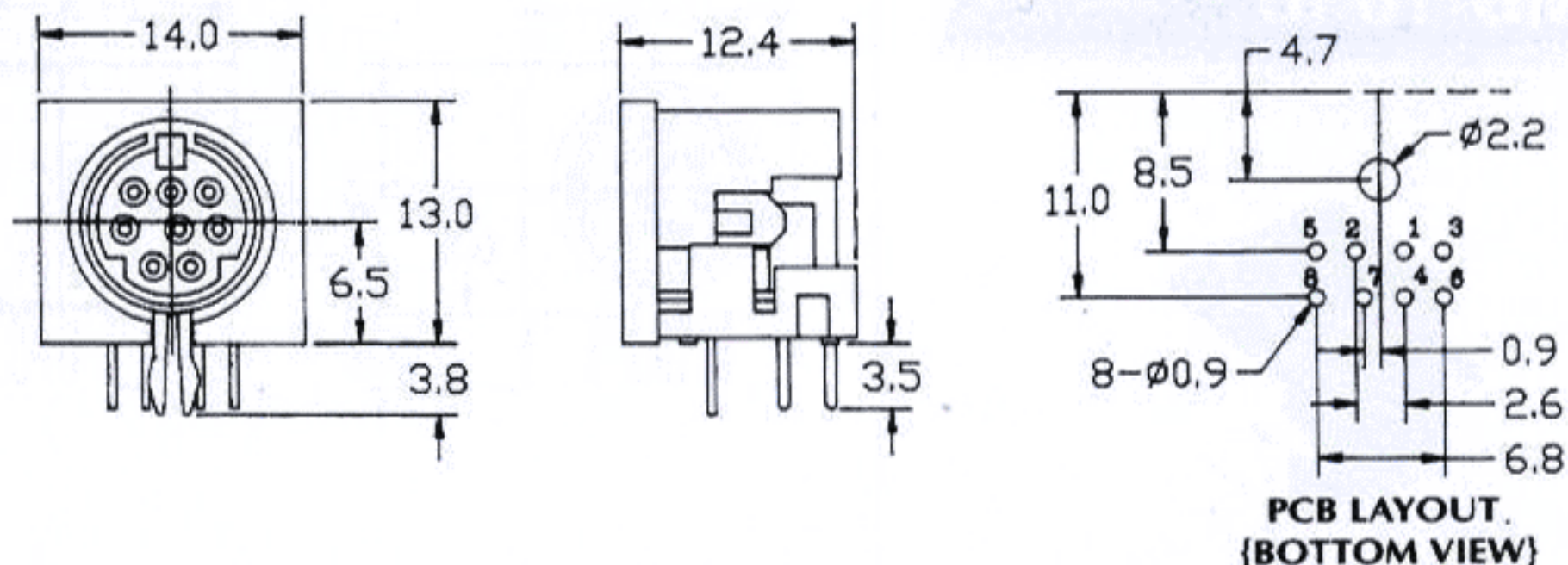
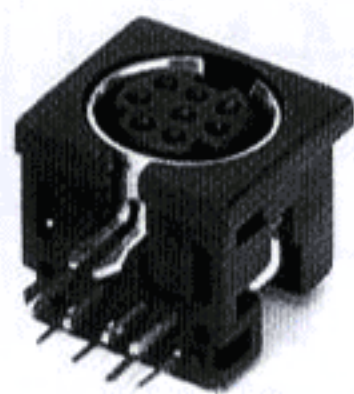
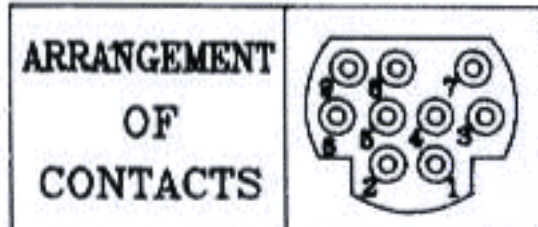
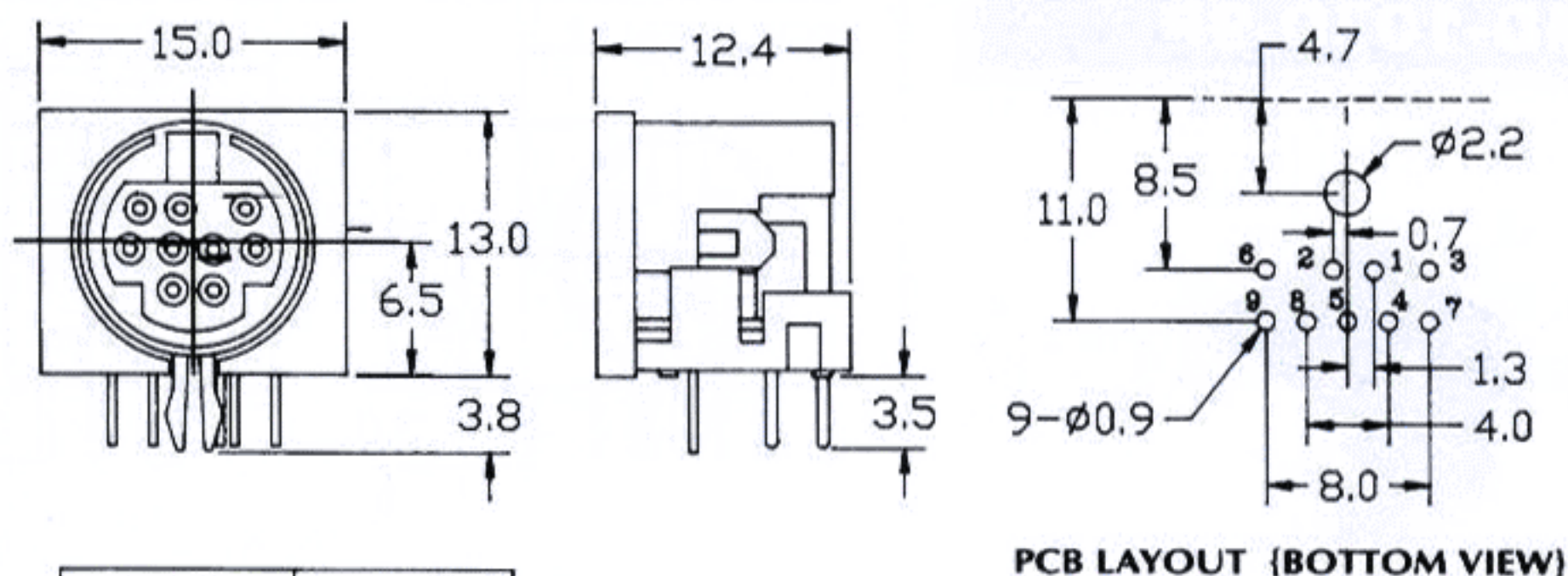
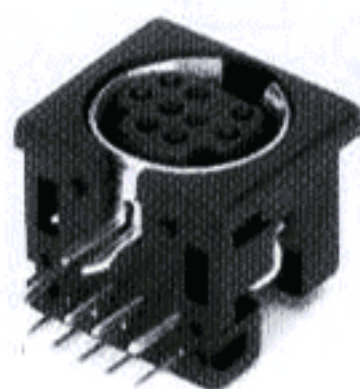


MINI DIN SOCKETS

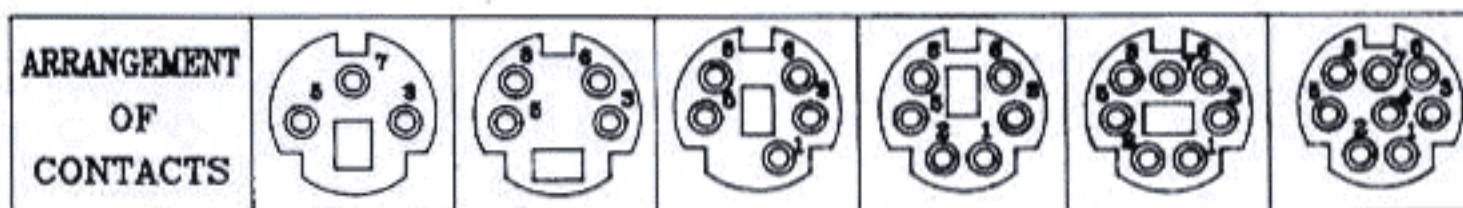
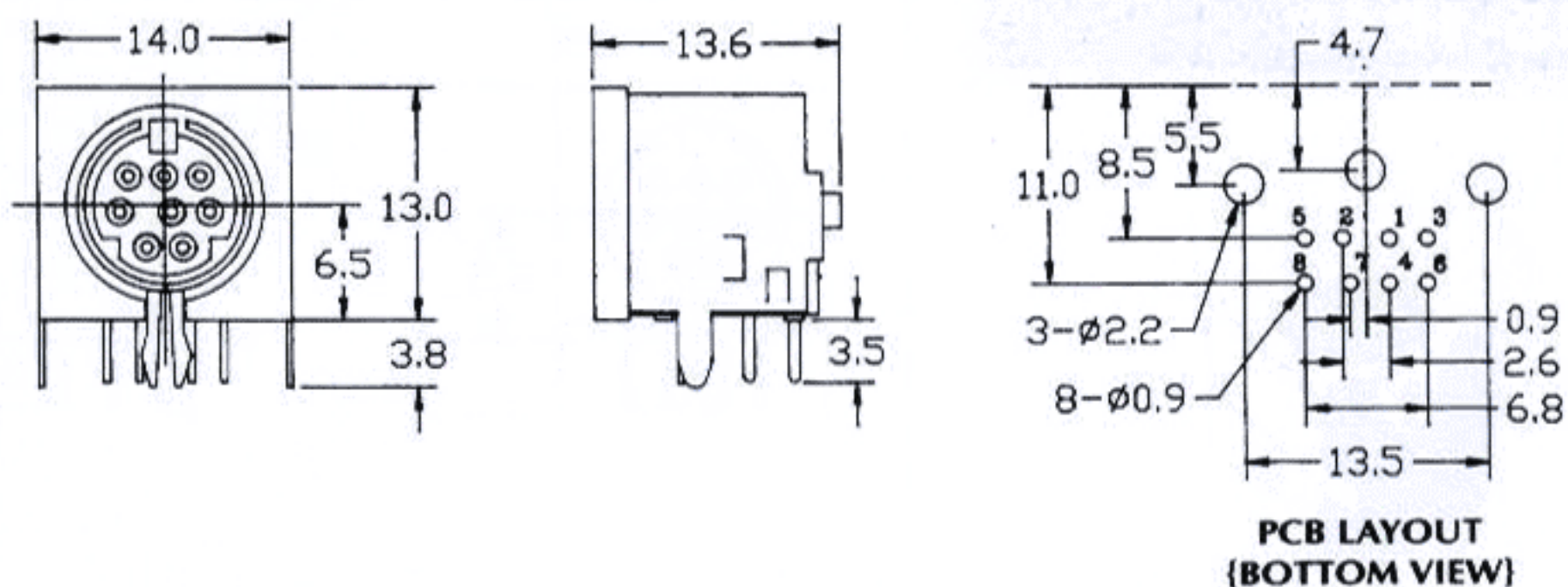
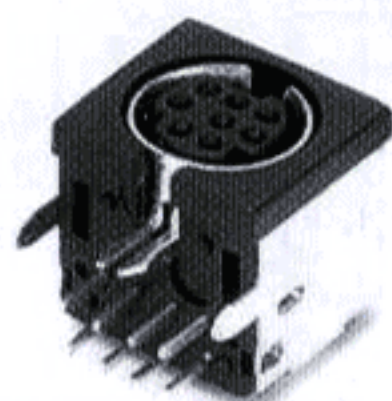
MD-101D



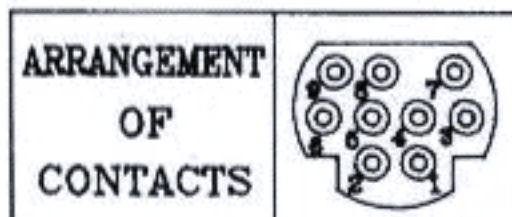
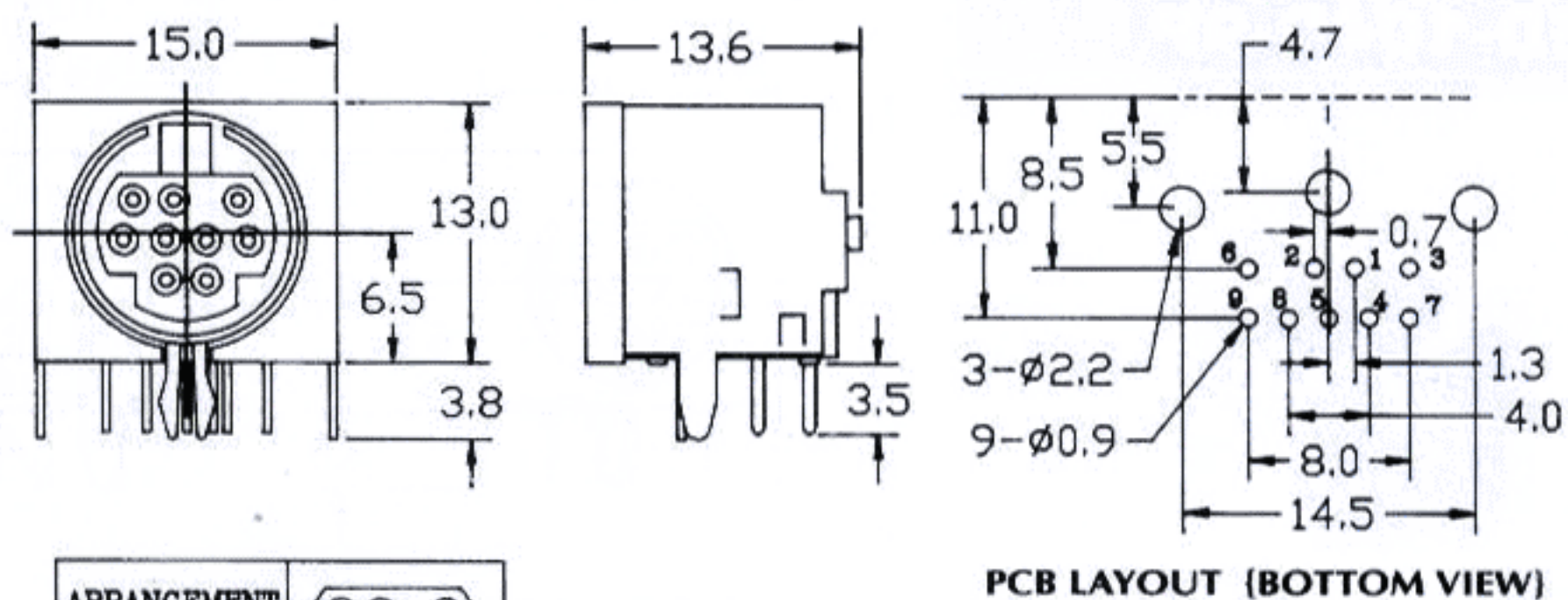
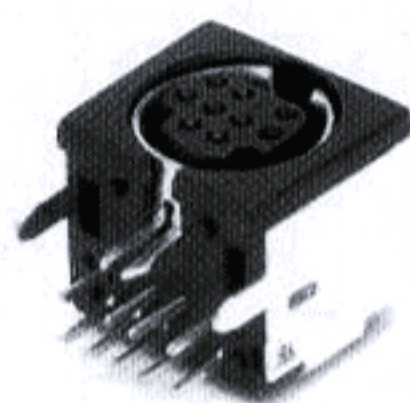
MD-101D-9P



MD-102D

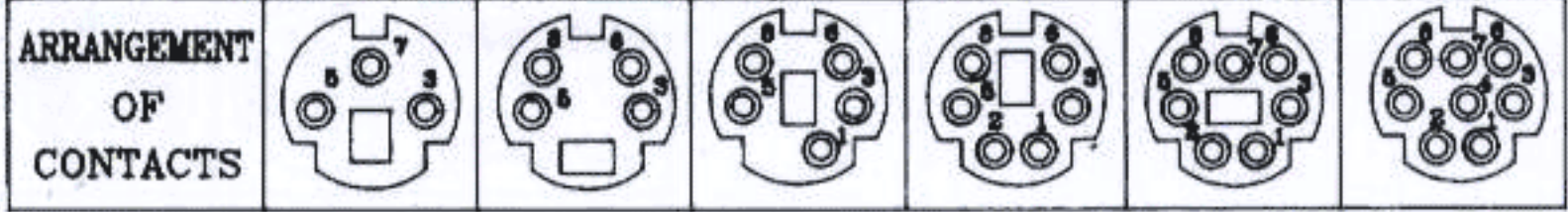
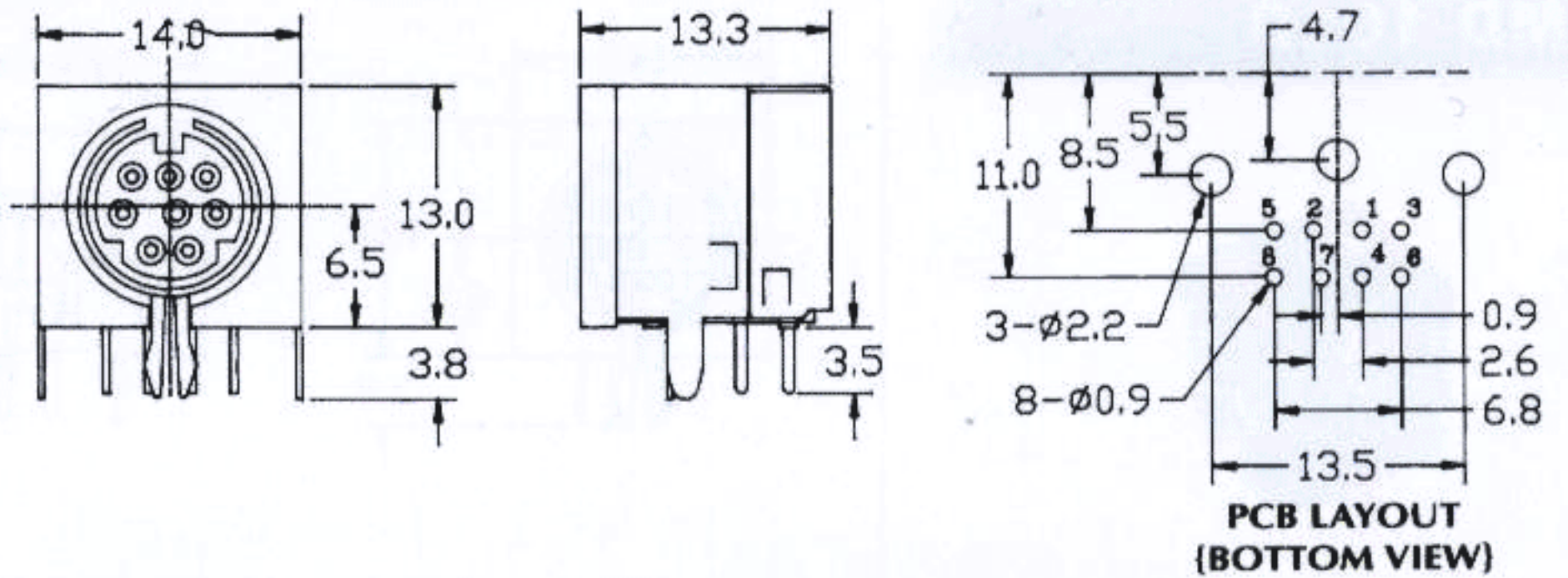


MD-102D-9P

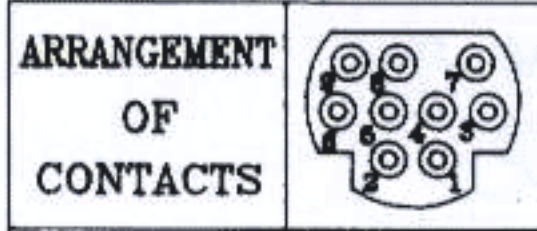
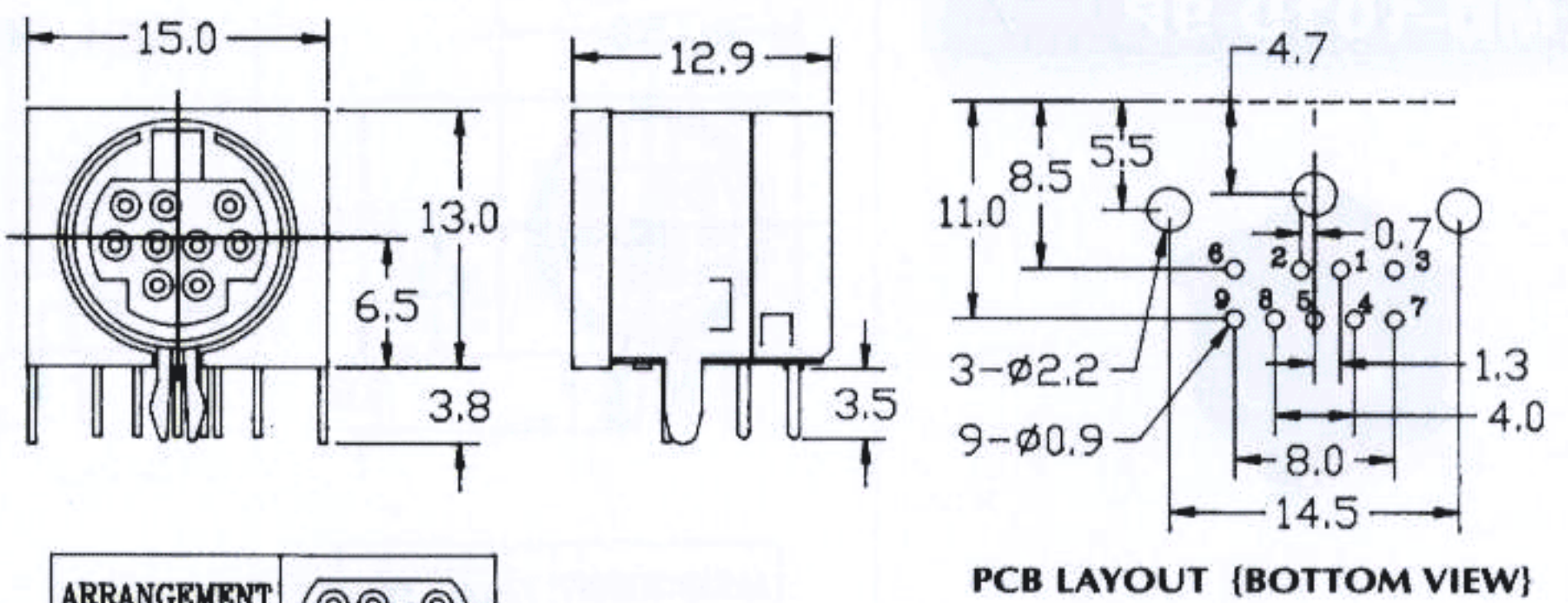
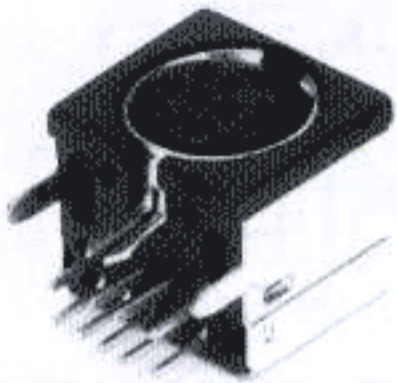


MINI DIN SOCKETS

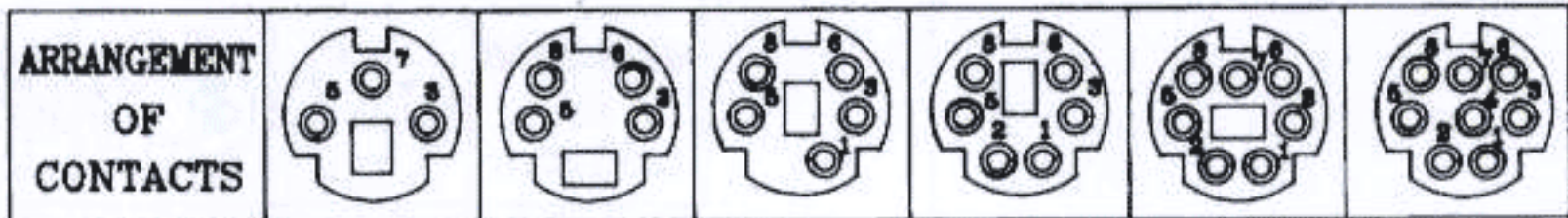
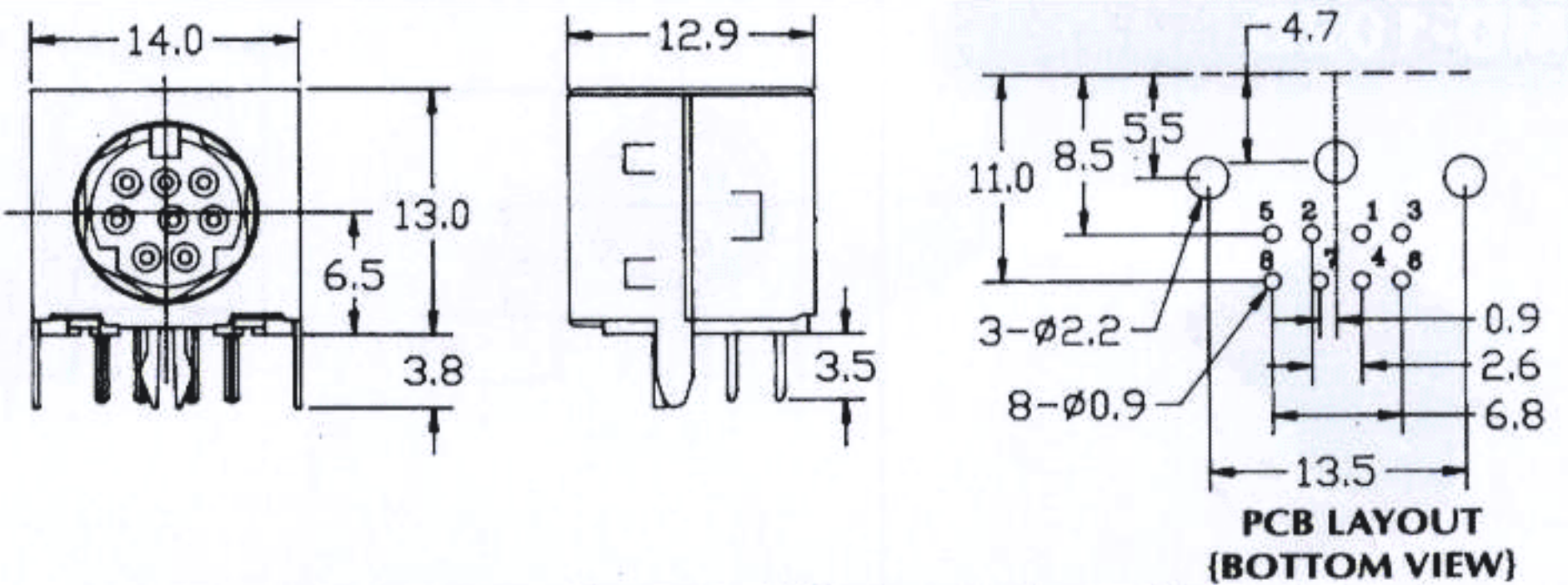
MD-103D



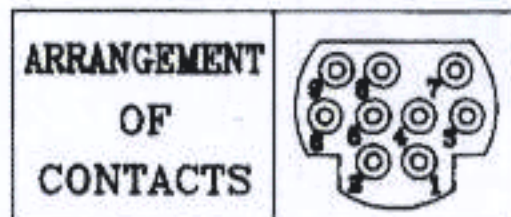
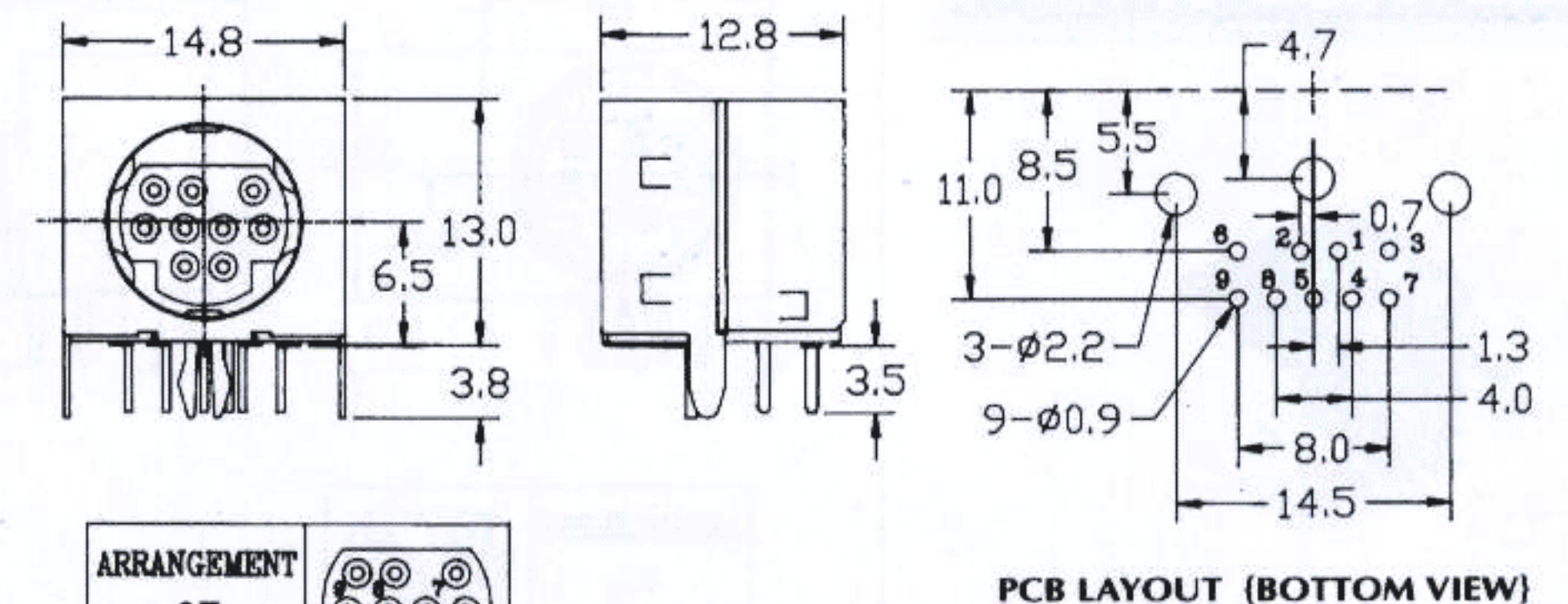
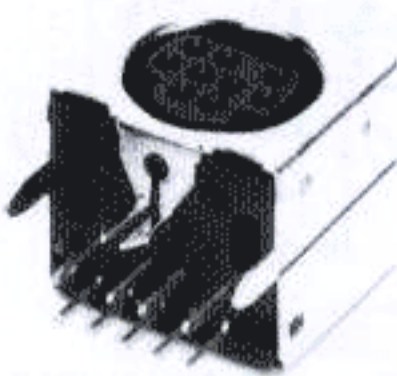
MD-103D-9P



MD-104D

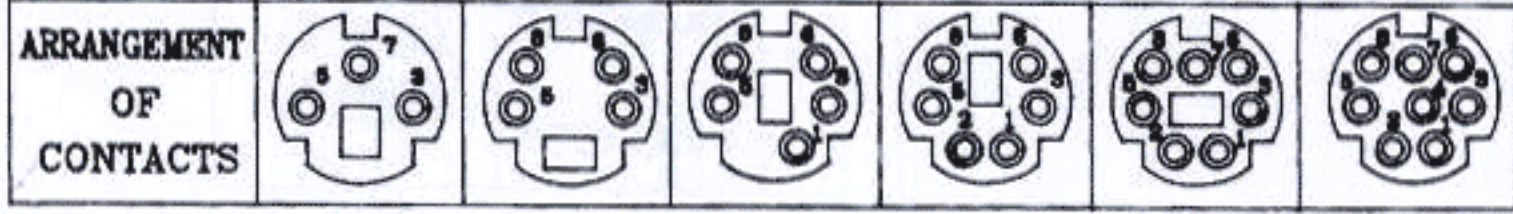
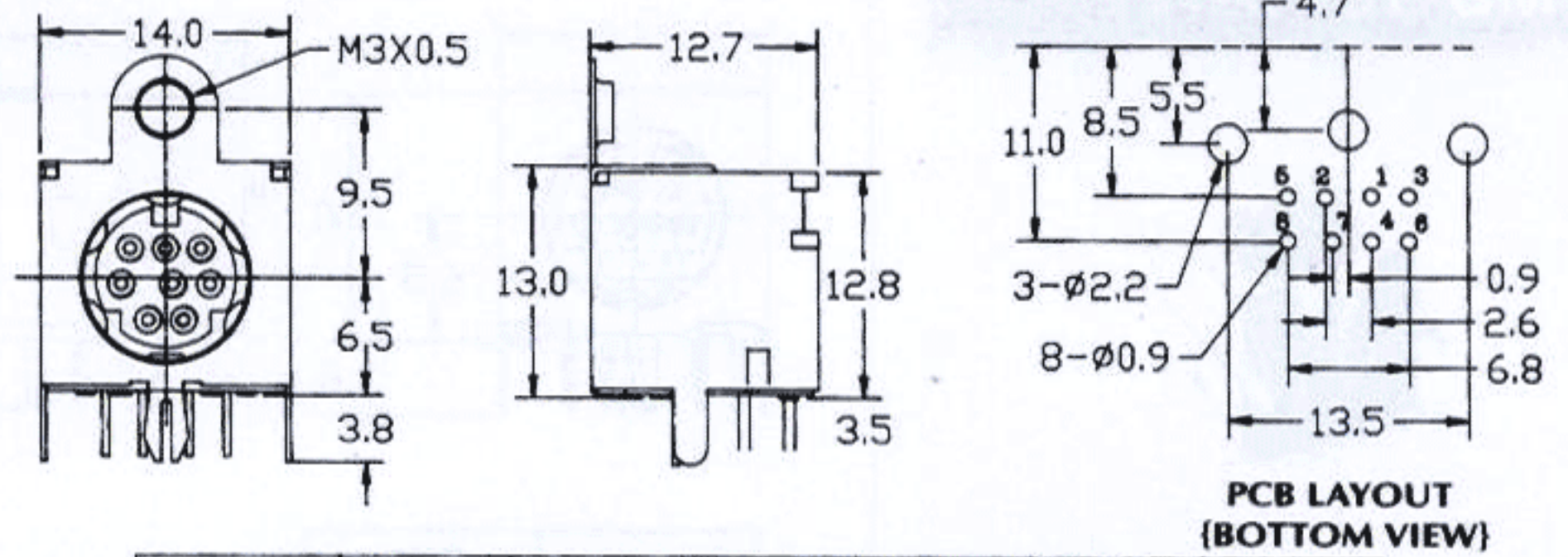


MD-104D-9P

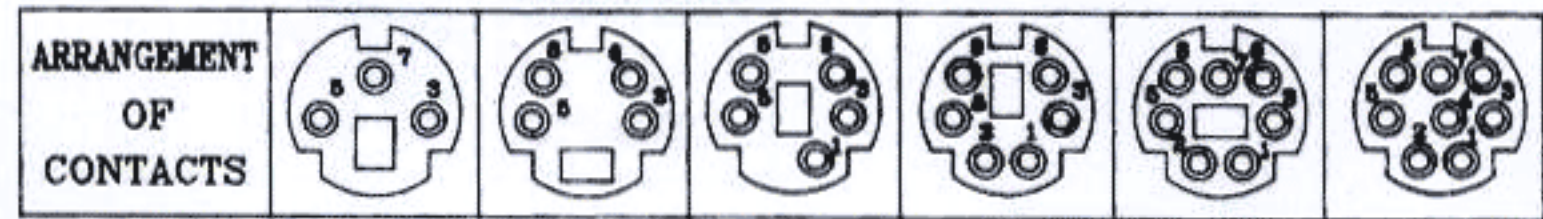
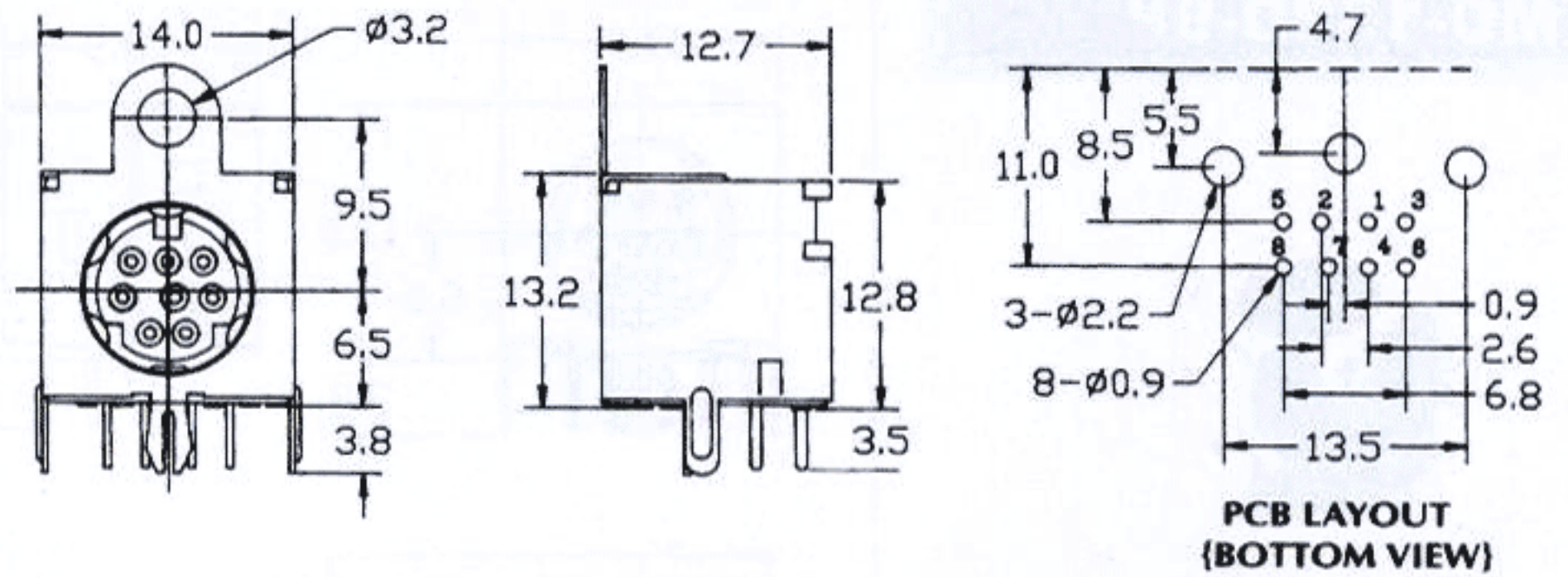


MINI DIN SOCKETS

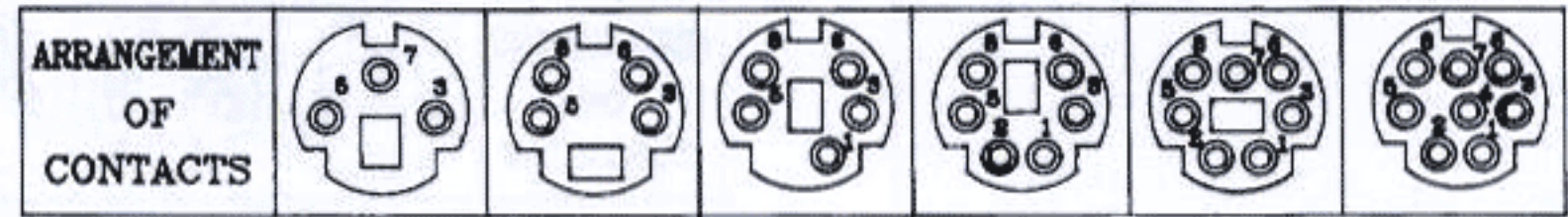
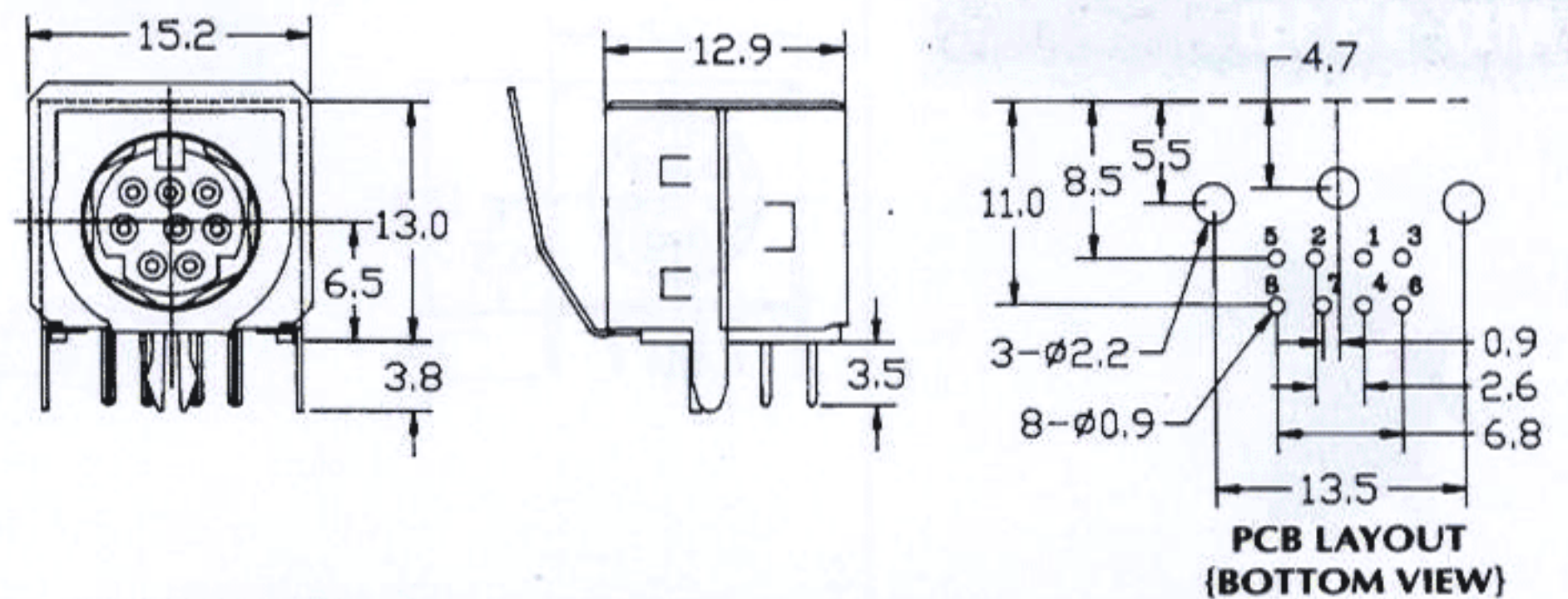
MD-105D



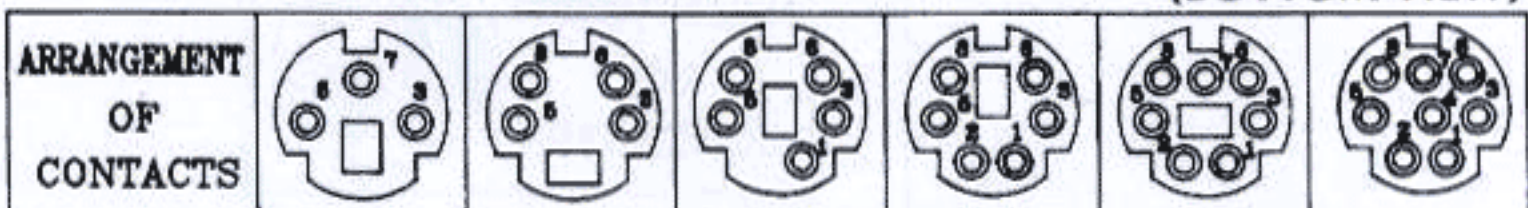
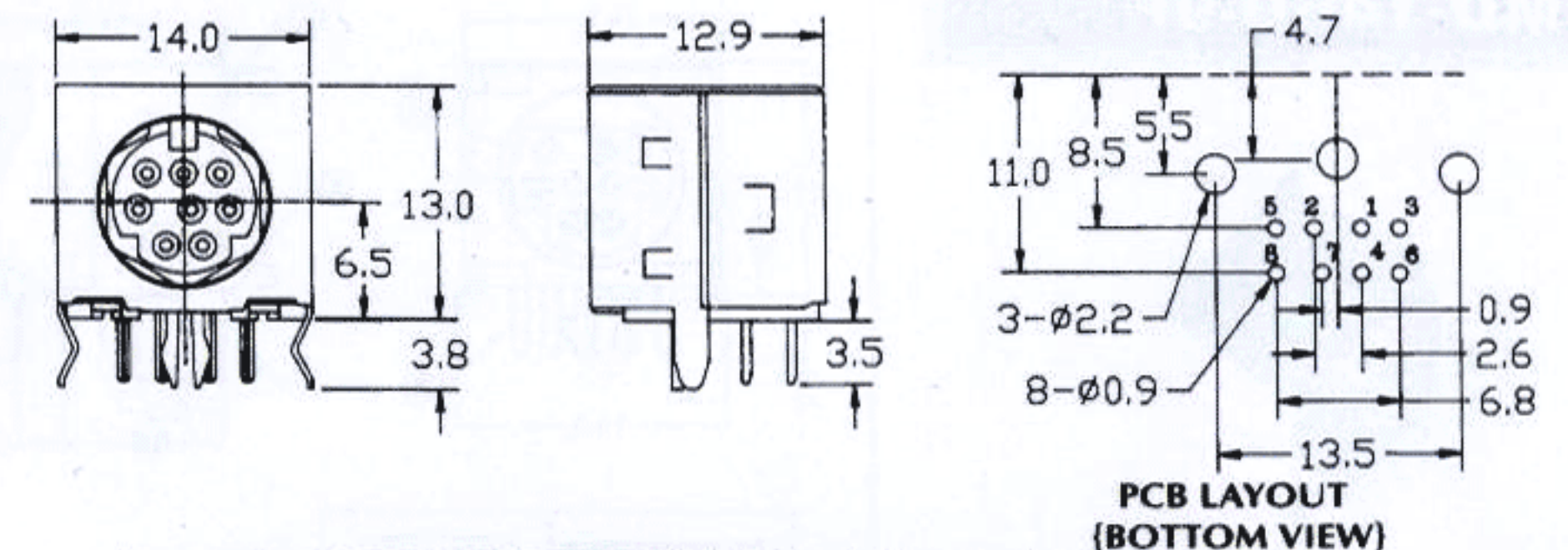
MD-105D2



MD-106D

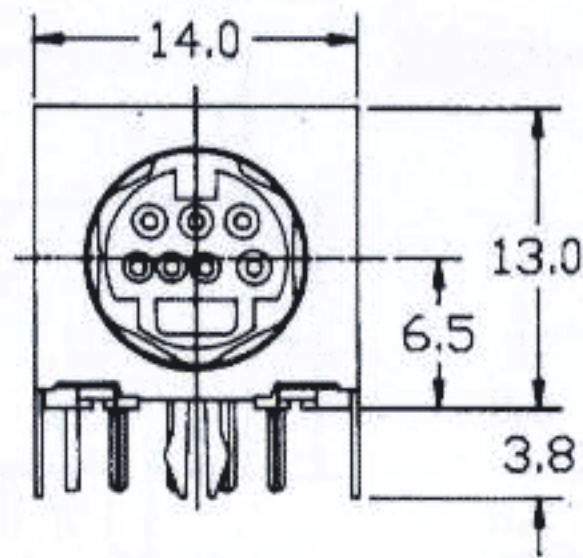


MD-106D2

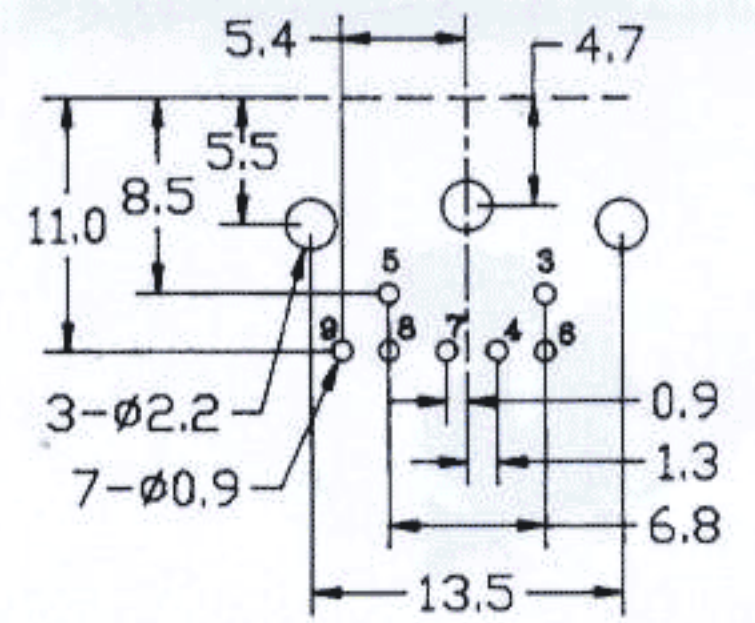
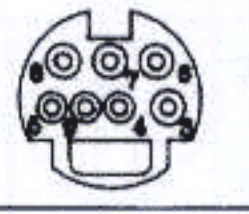


MINI DIN SOCKETS

MD-132D-7P

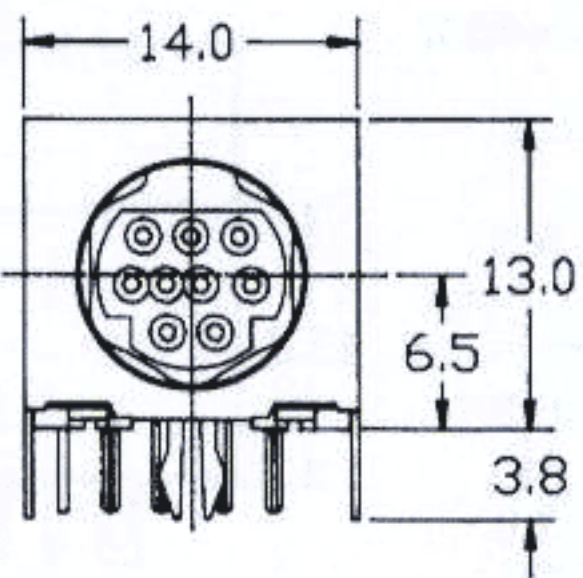


ARRANGEMENT
OF
CONTACTS

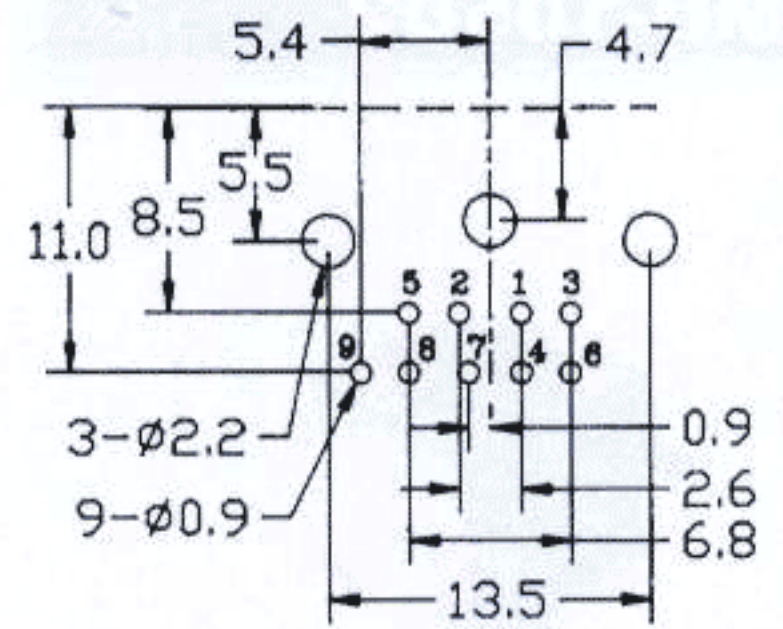
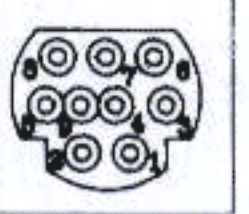


PCB LAYOUT (BOTTOM VIEW)

MD-132D-9P

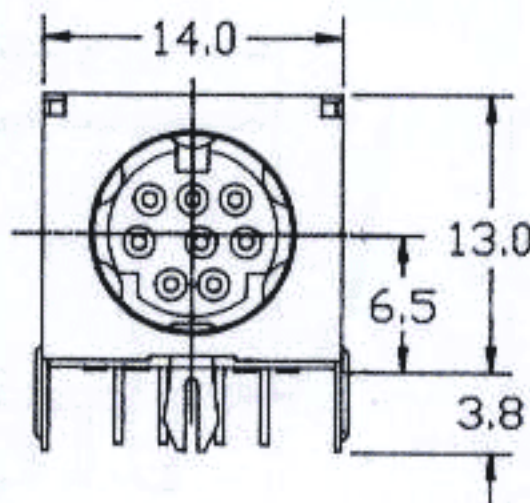
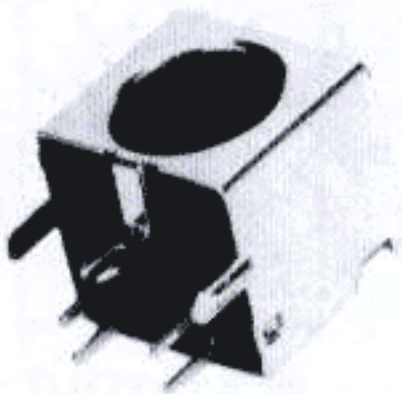


ARRANGEMENT
OF
CONTACTS

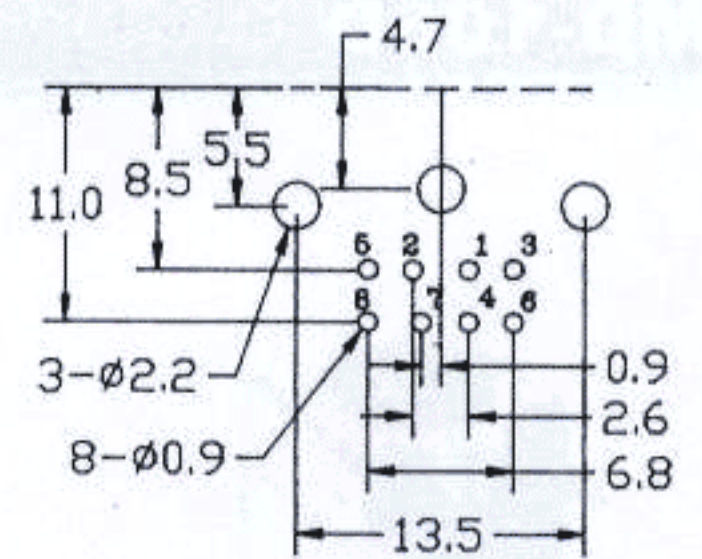
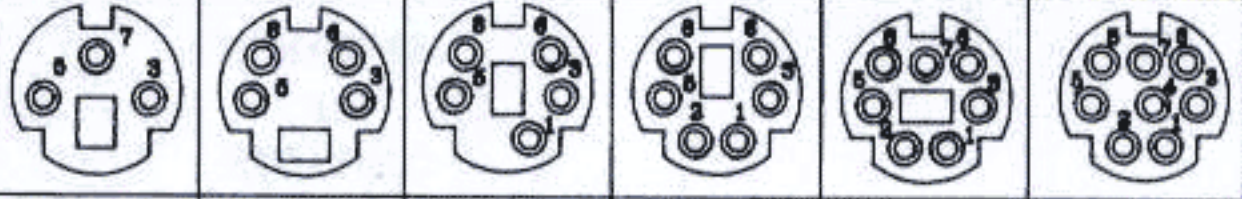


PCB LAYOUT (BOTTOM VIEW)

MD-131D

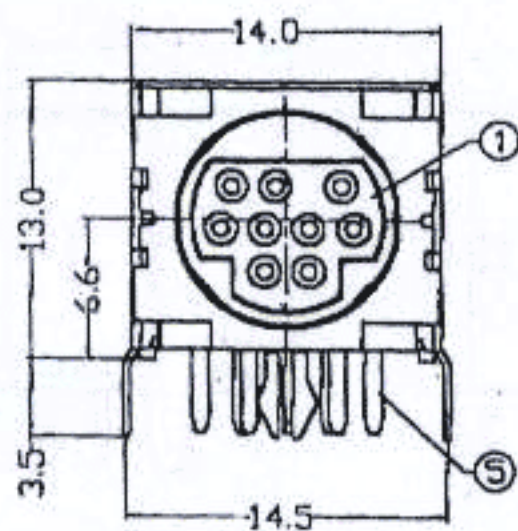
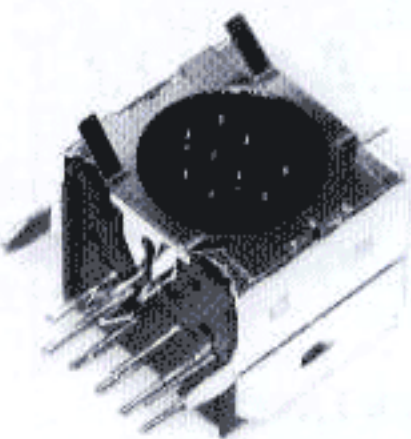


ARRANGEMENT
OF
CONTACTS

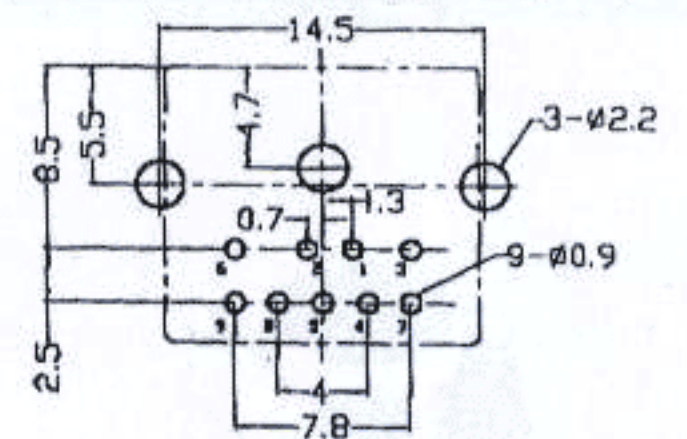
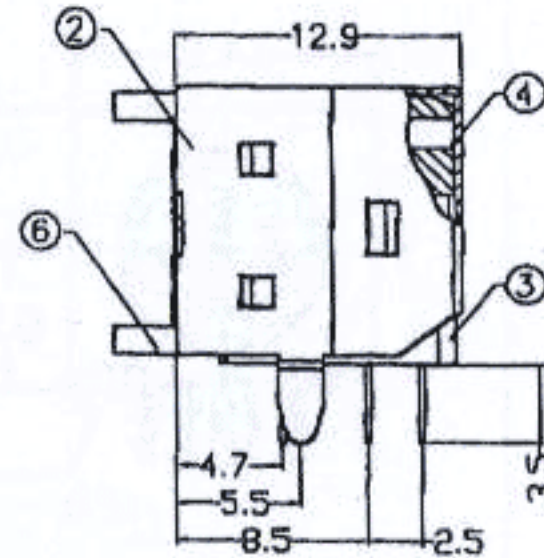
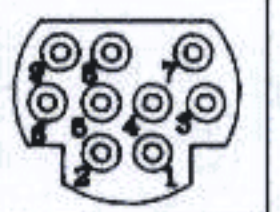


PCB LAYOUT
(BOTTOM VIEW)

MD-146D-9P



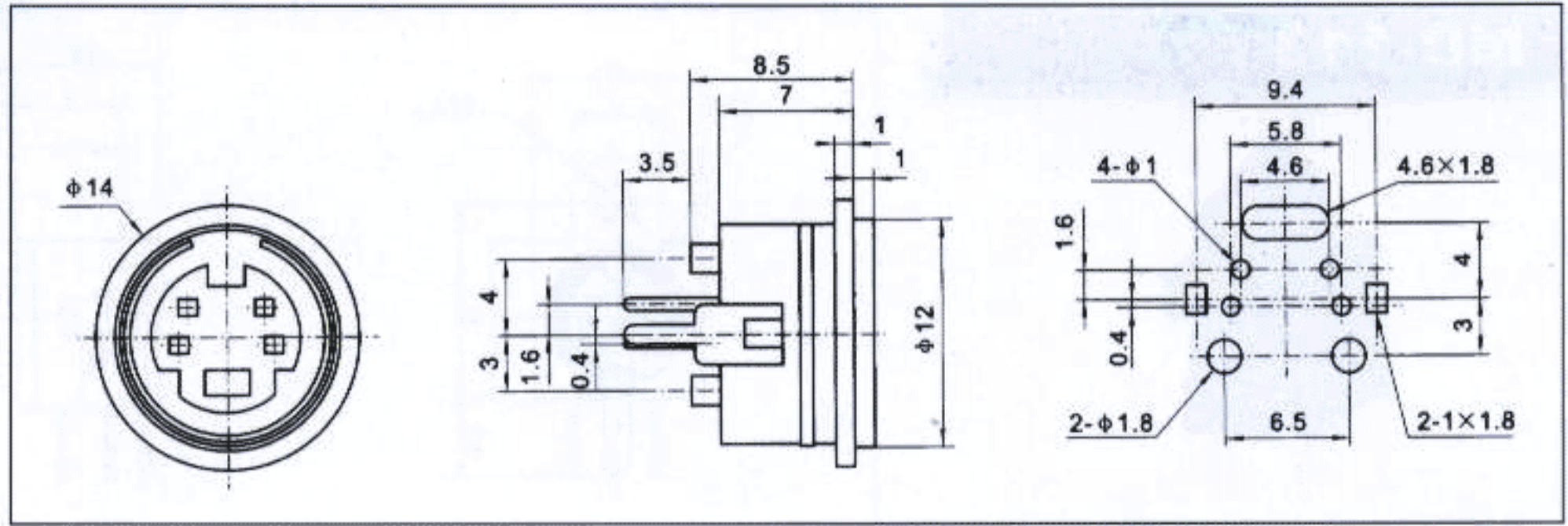
ARRANGEMENT
OF
CONTACTS



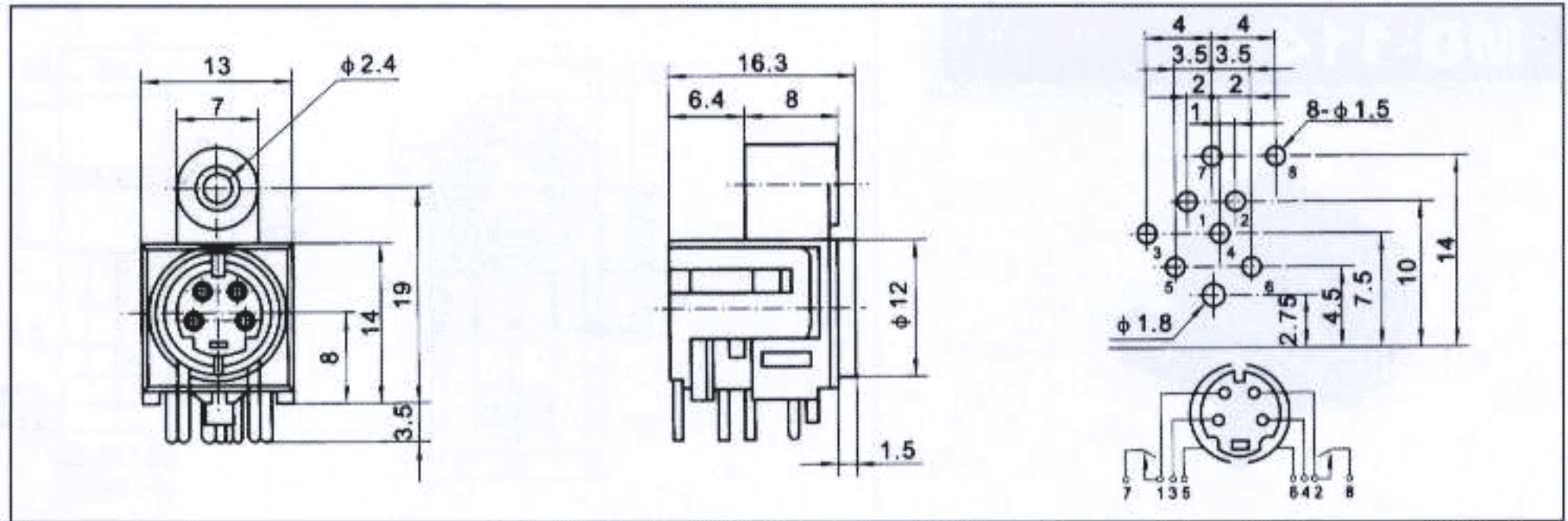
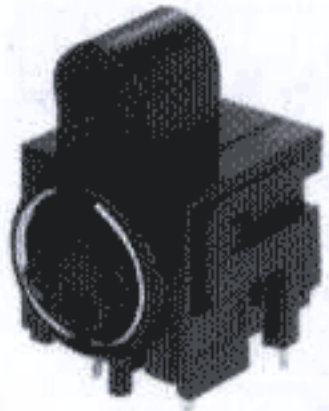
PCB LAYOUT
BOTTOM VIEW

MINI DIN SOCKETS

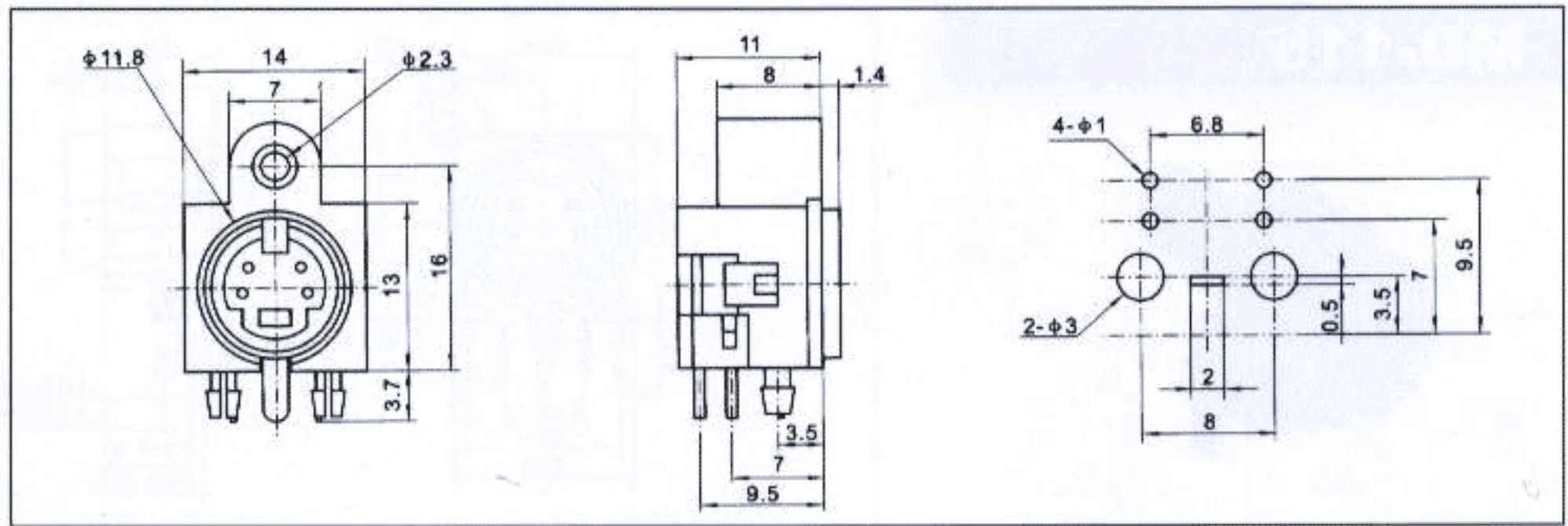
MD-107



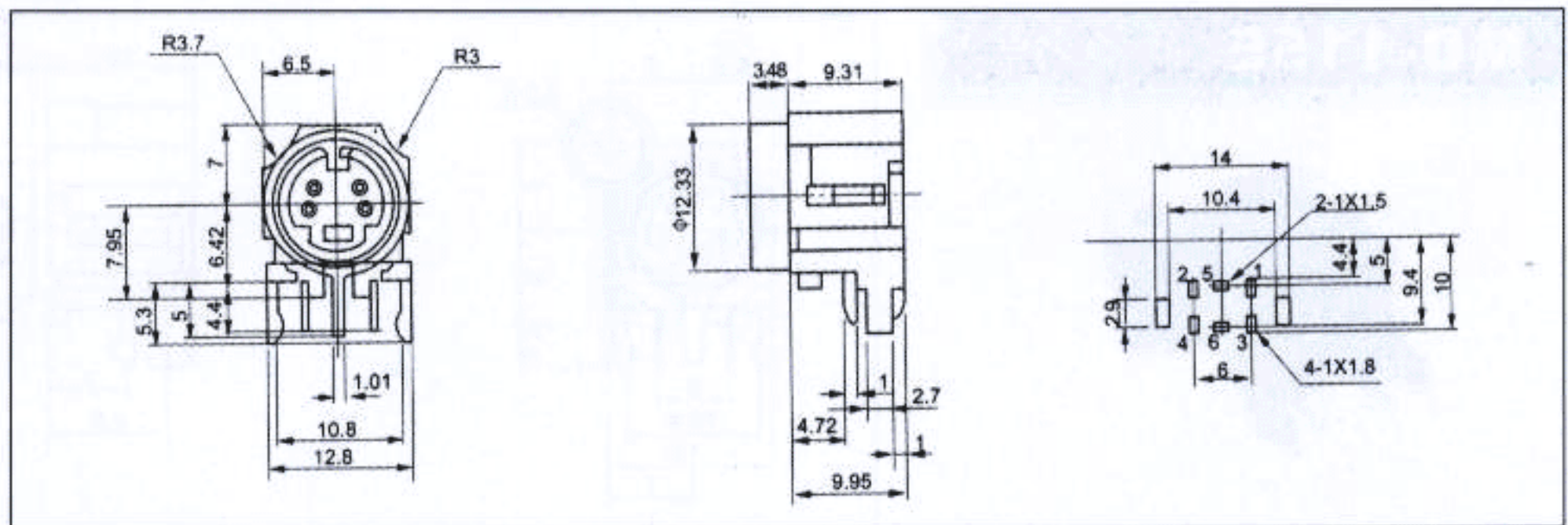
MD-108



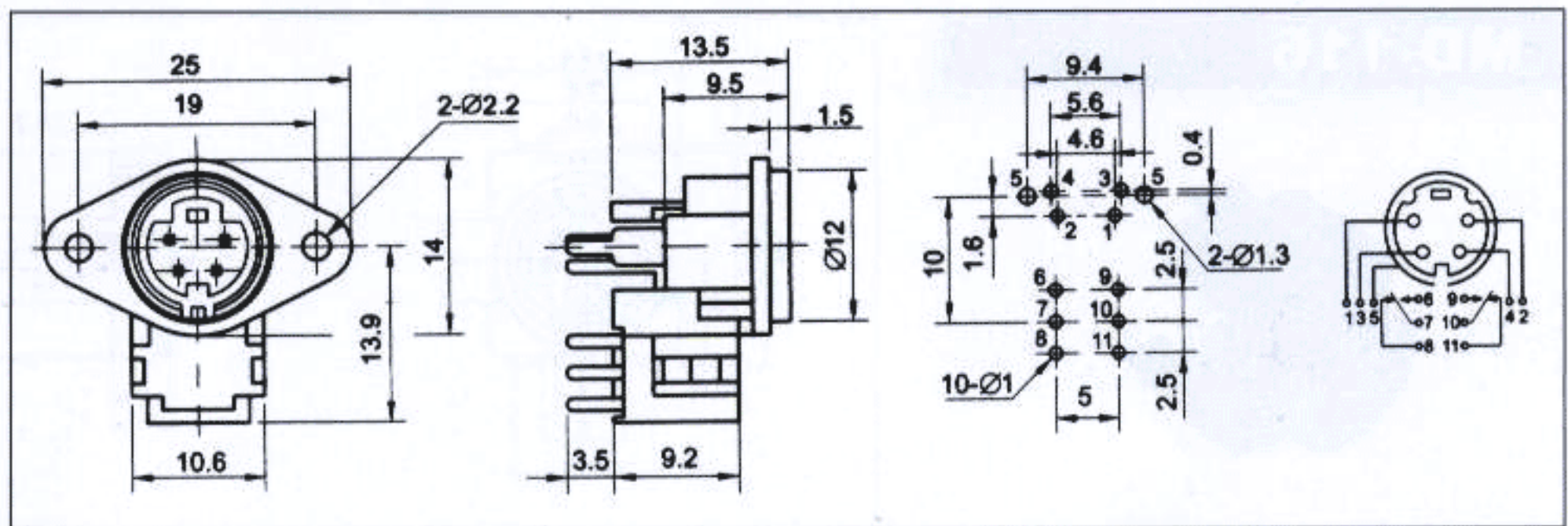
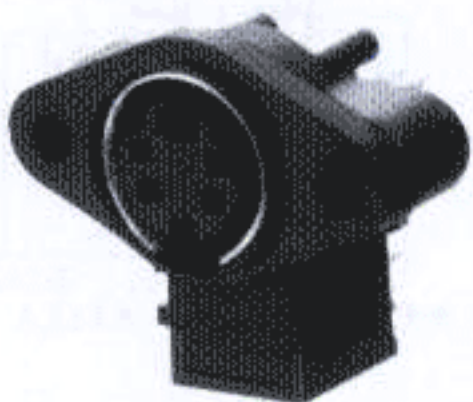
MD-109



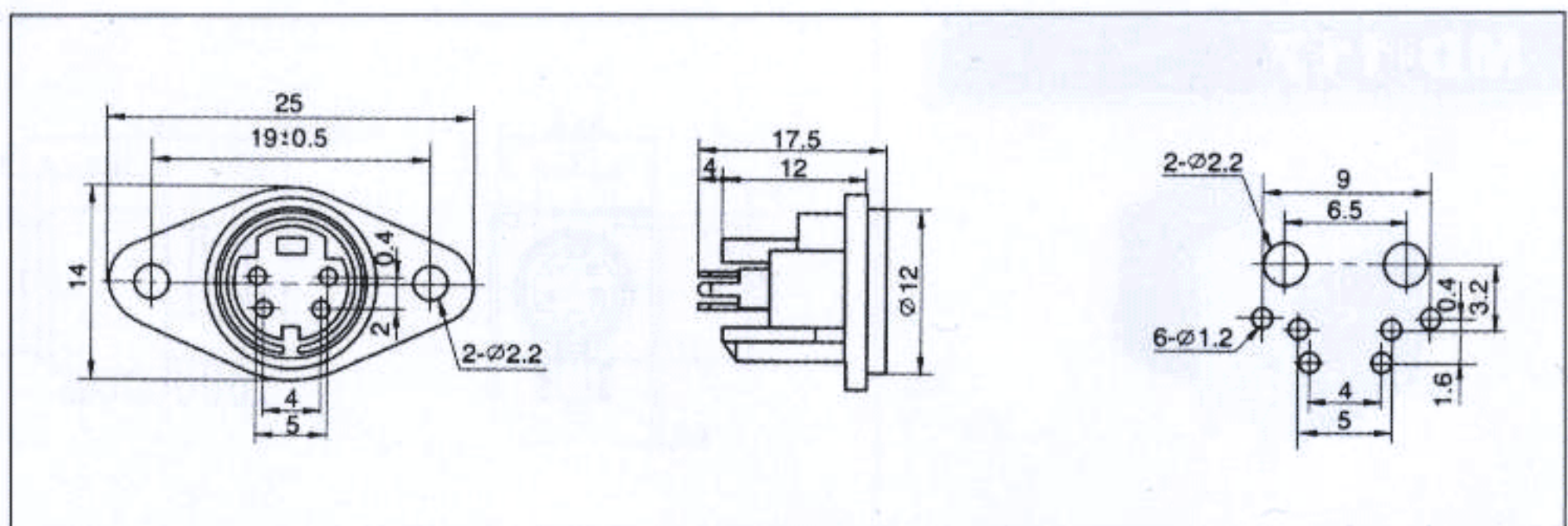
MD-110



MD-111

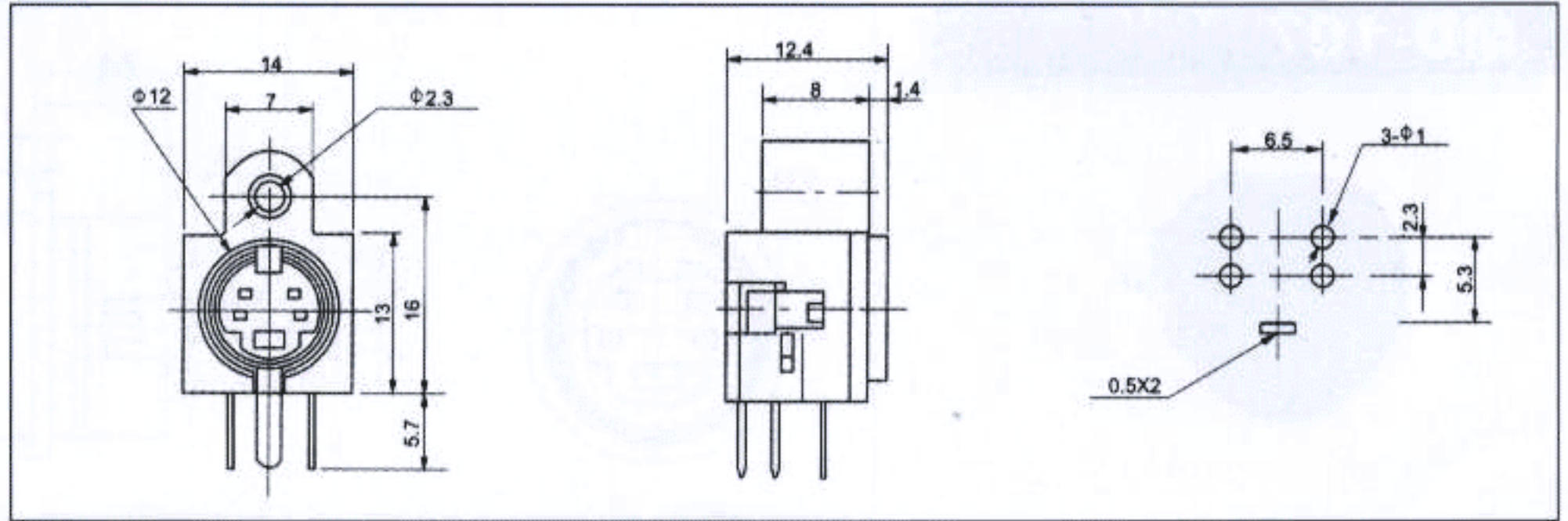


MD-112

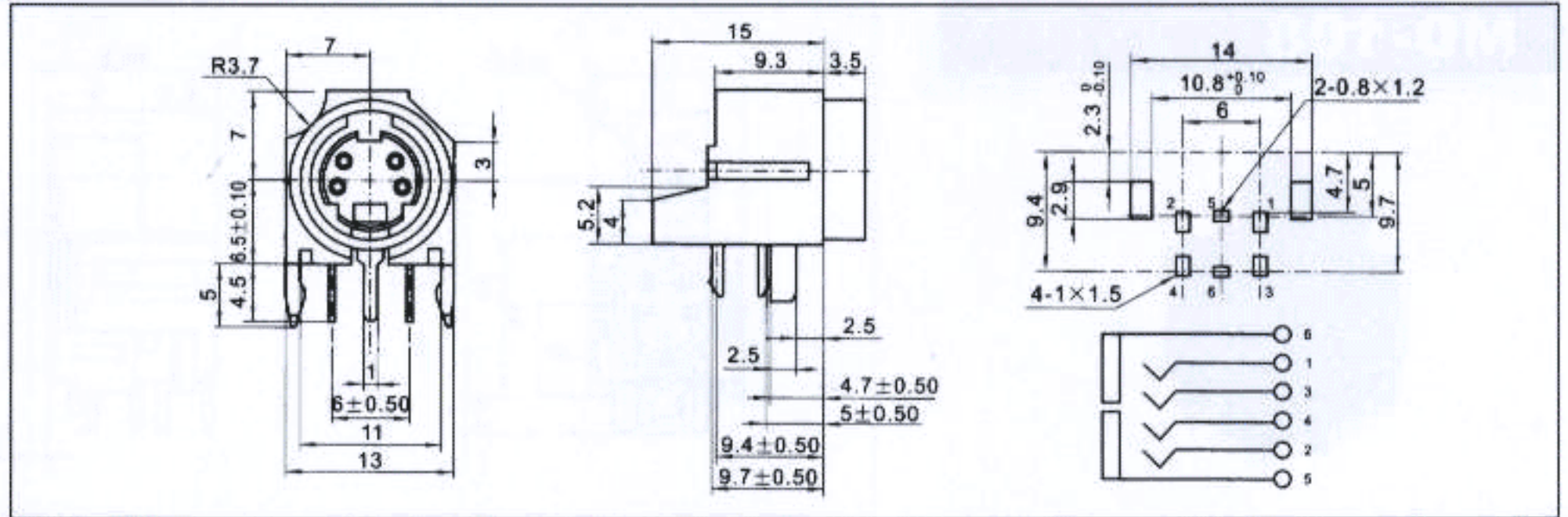


MINI DIN SOCKETS

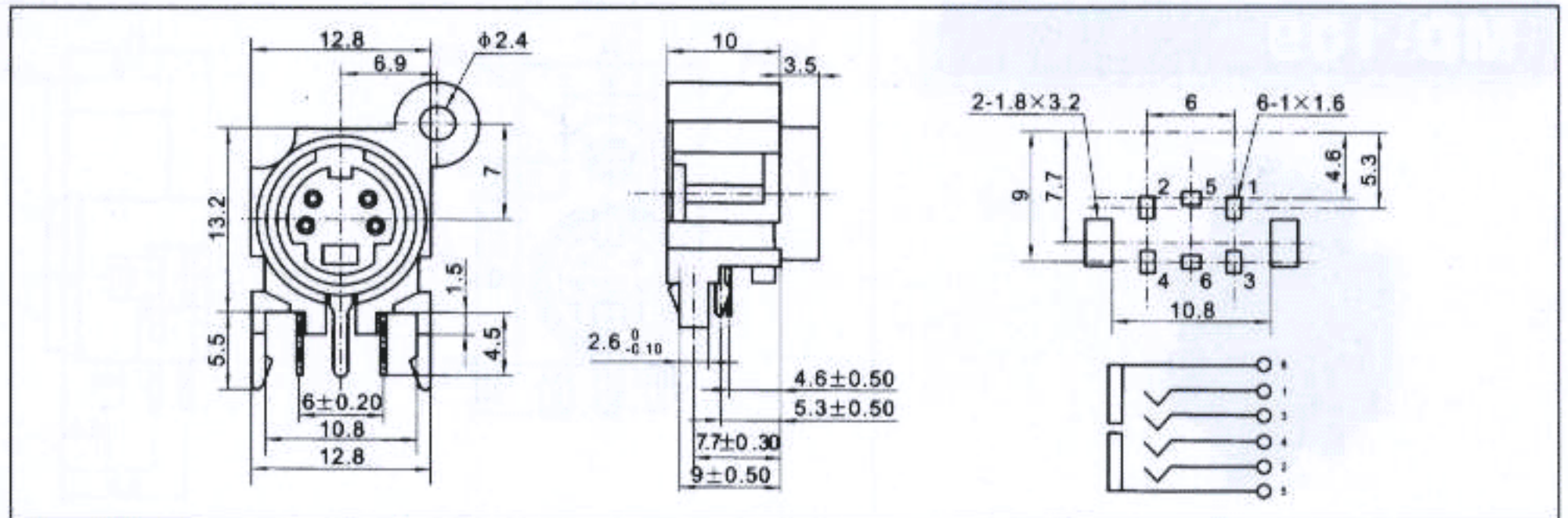
MD-113



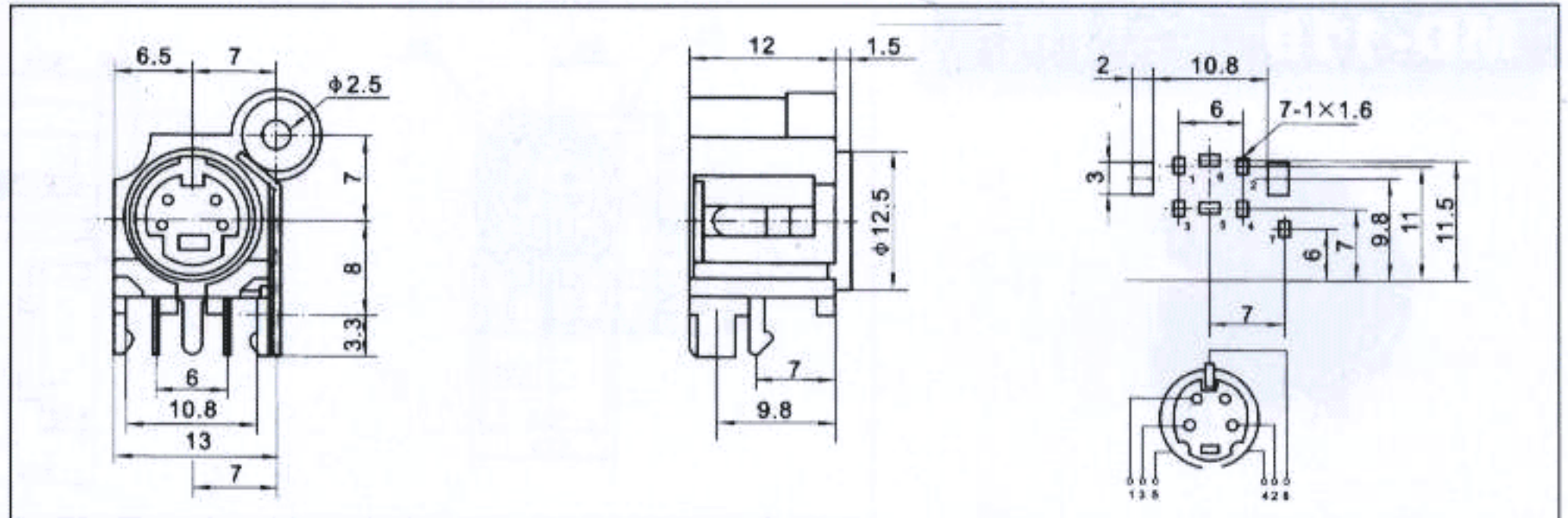
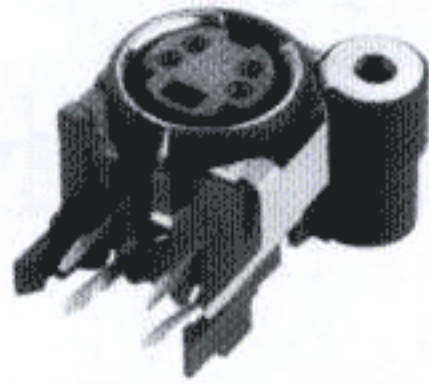
MD-114



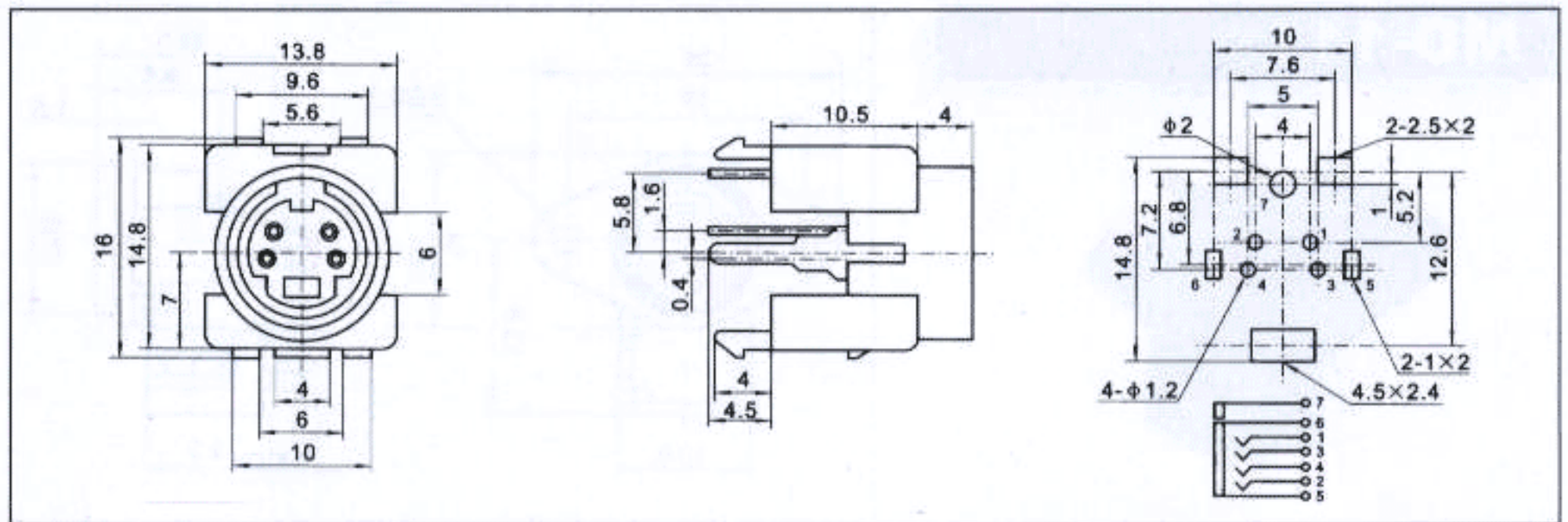
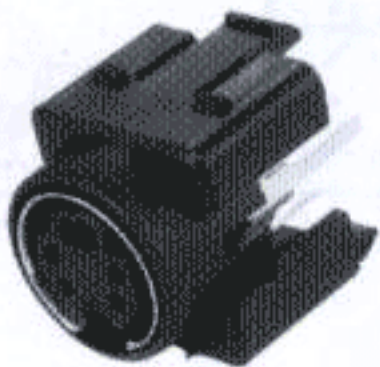
MD-115



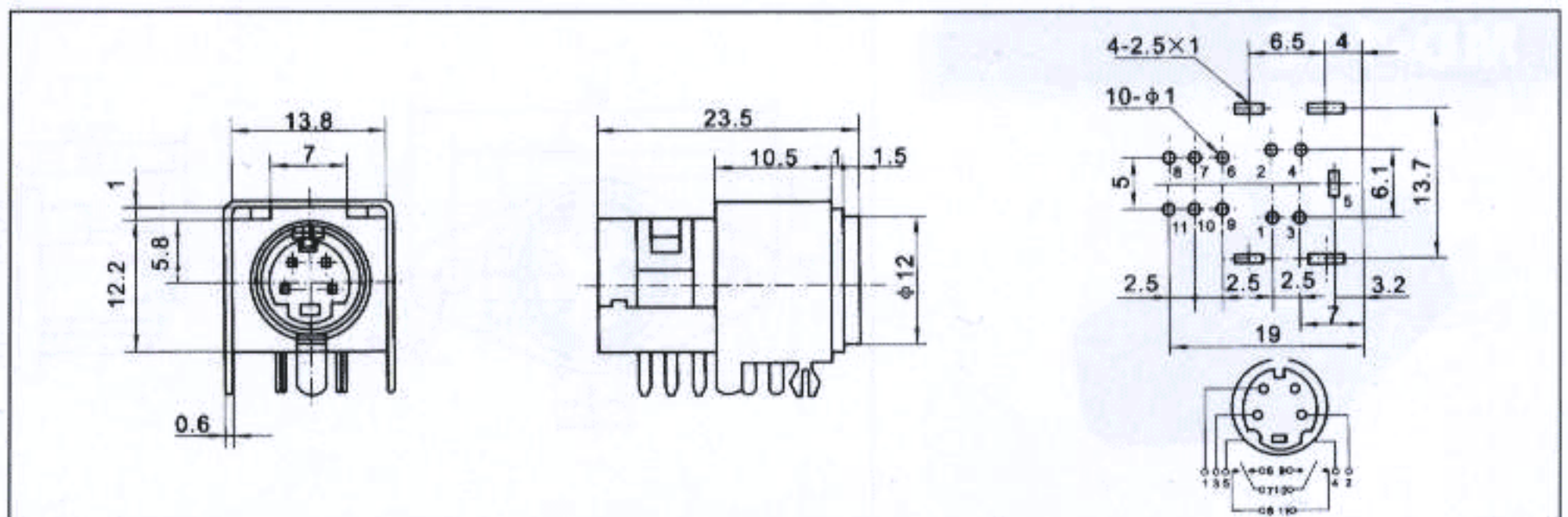
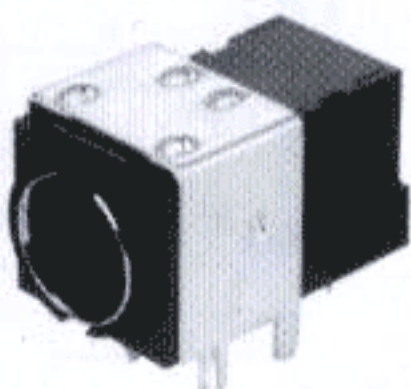
MD-115E



MD-116

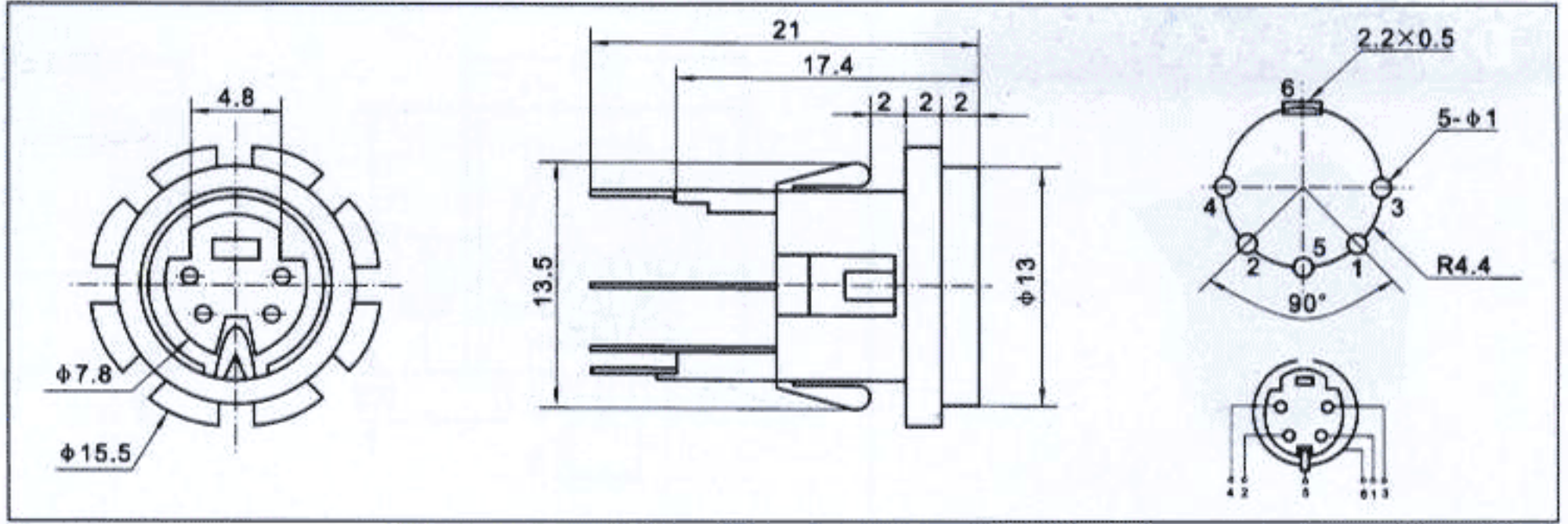


MD-117

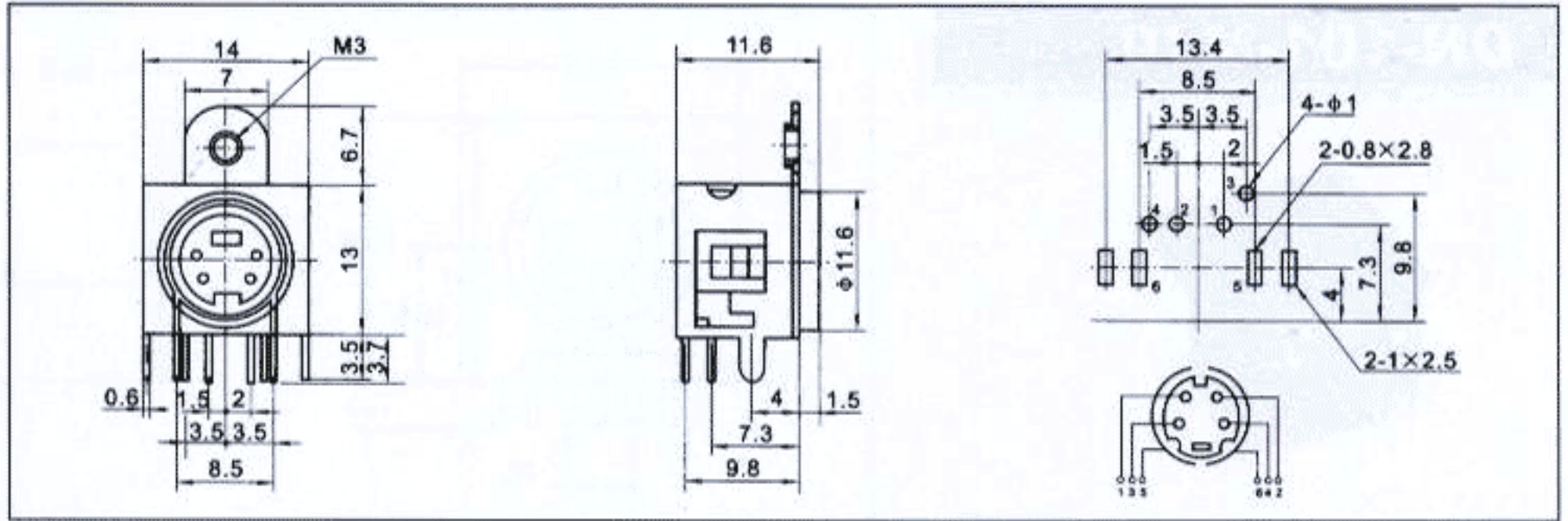
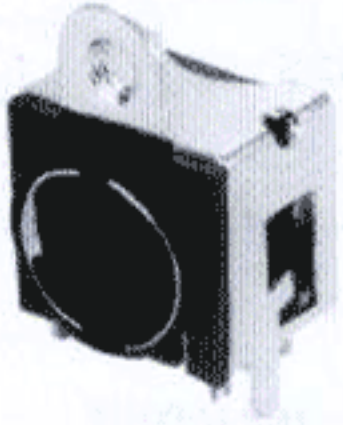


MINI DIN SOCKETS

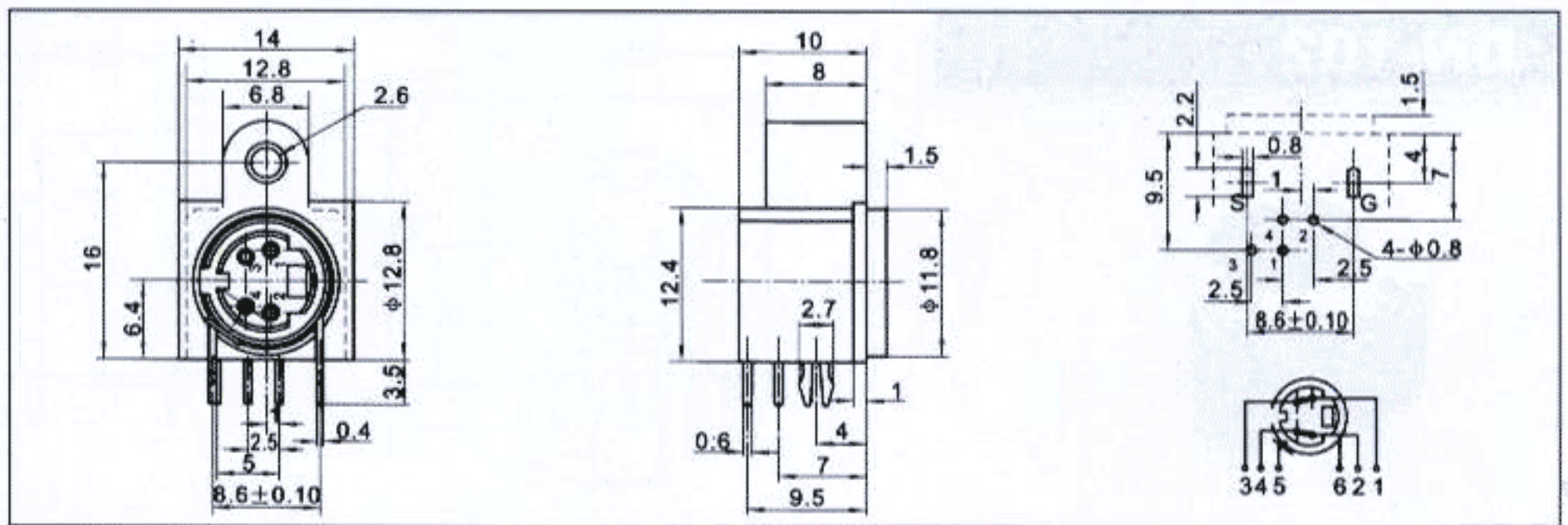
MD-118



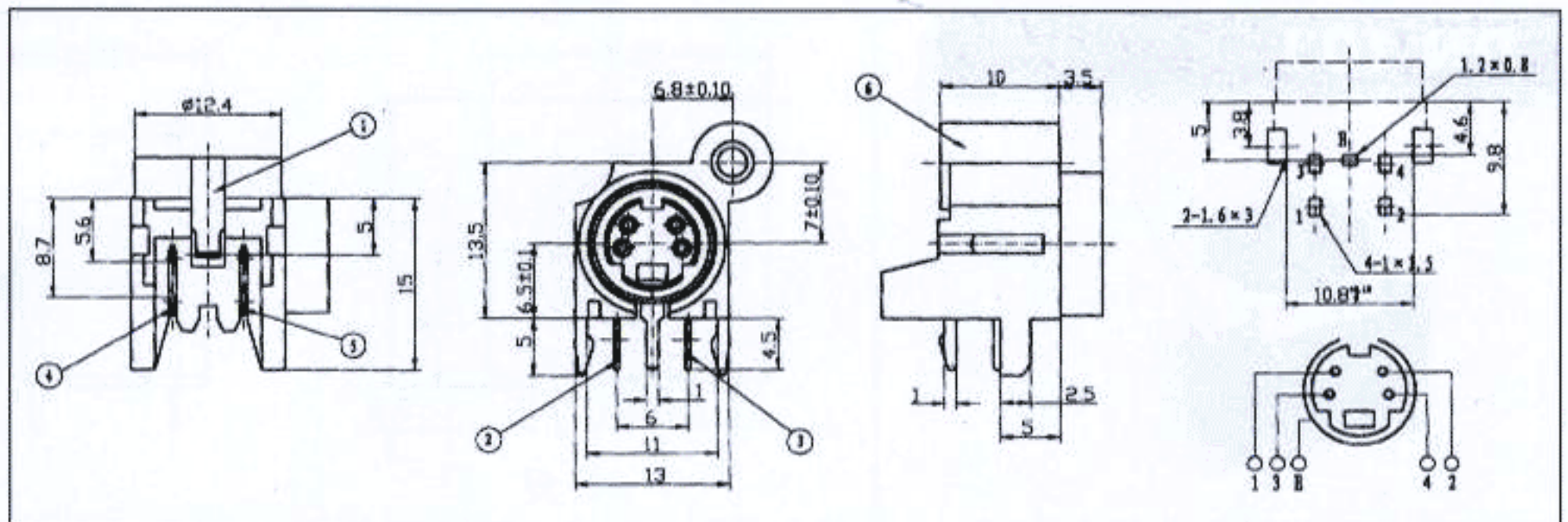
MD-119



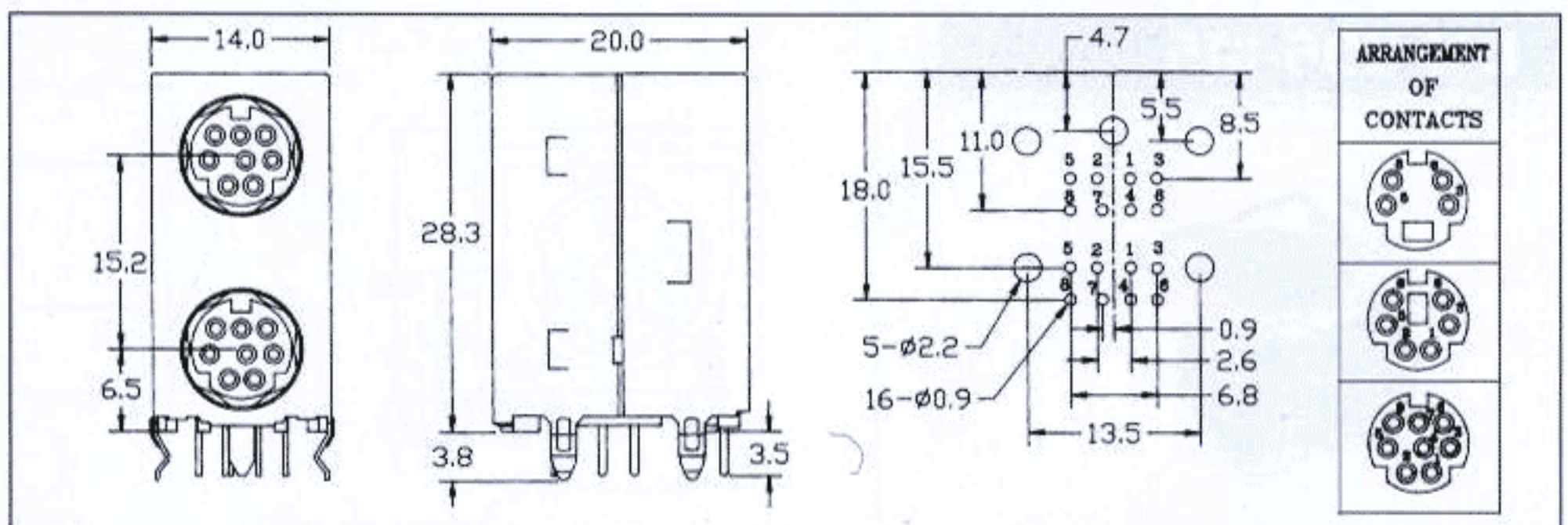
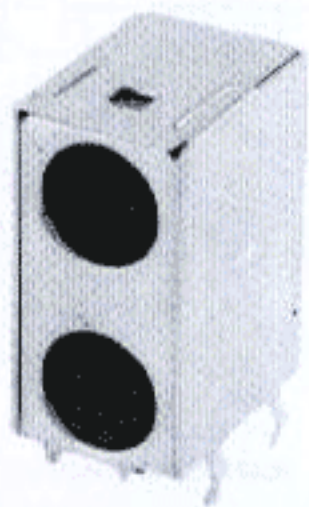
MD-120



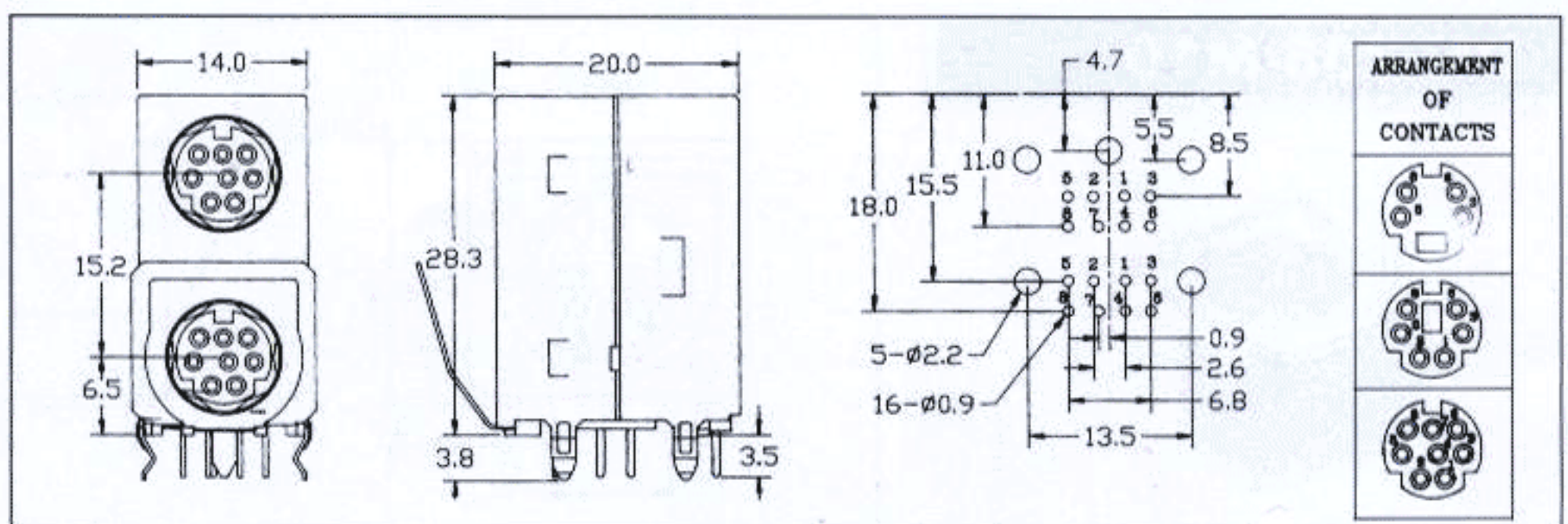
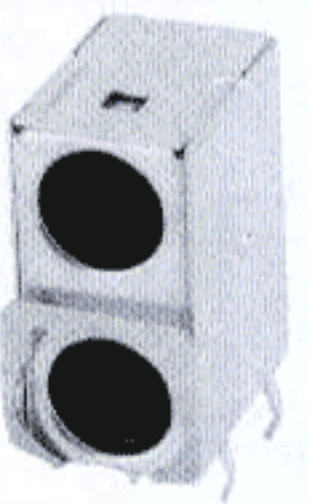
MD-121



MD-201D

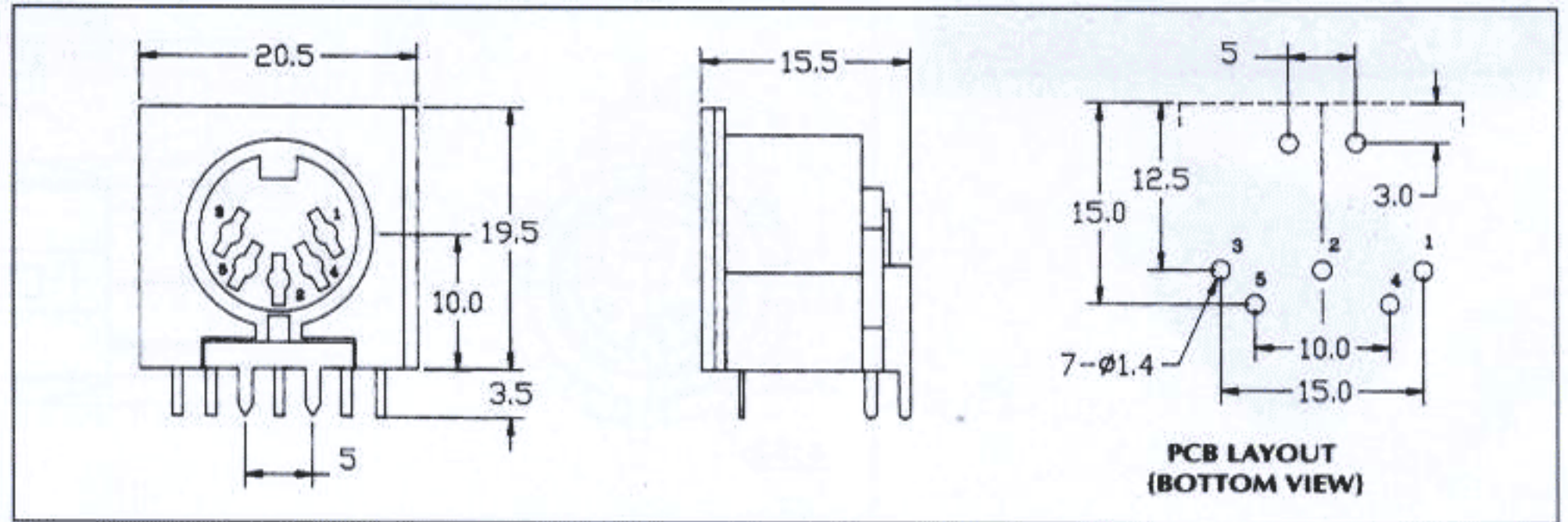
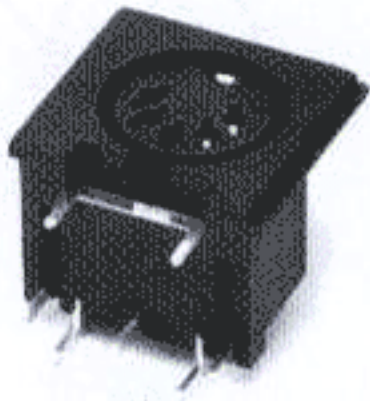


MD-202D

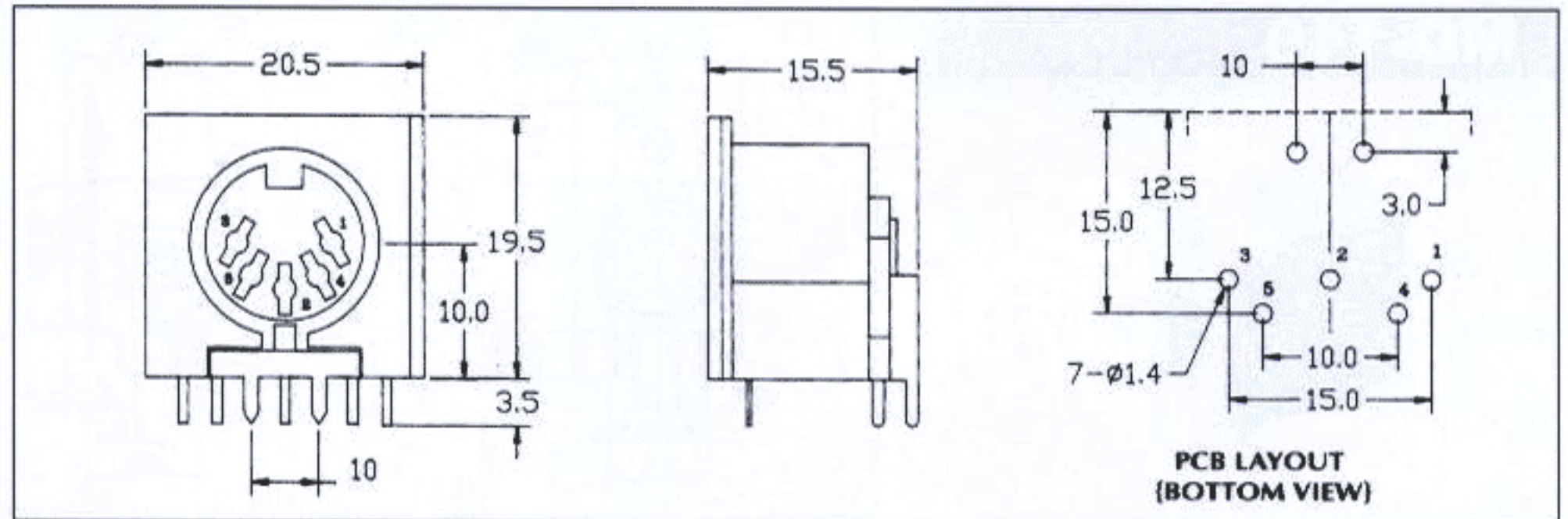
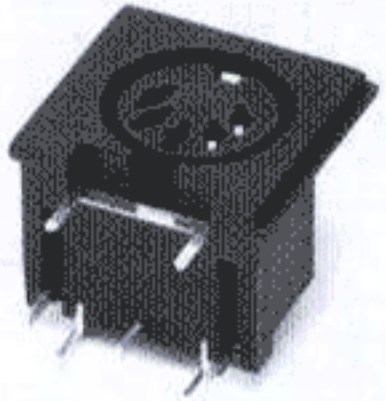


CIRCULAR DIN SOCKETS

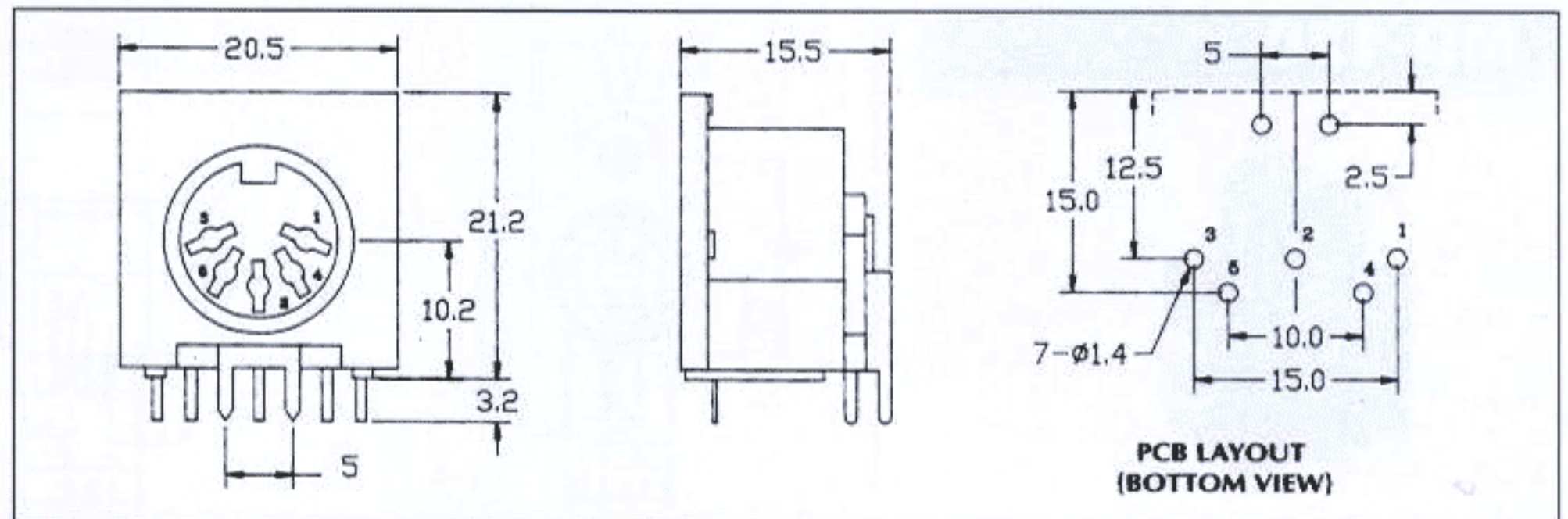
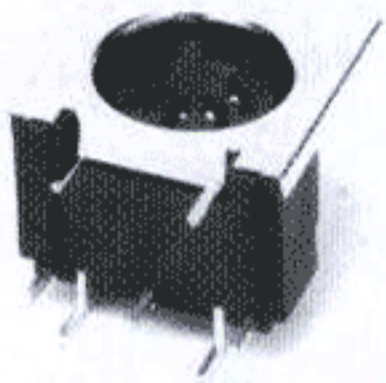
DN-101-M5



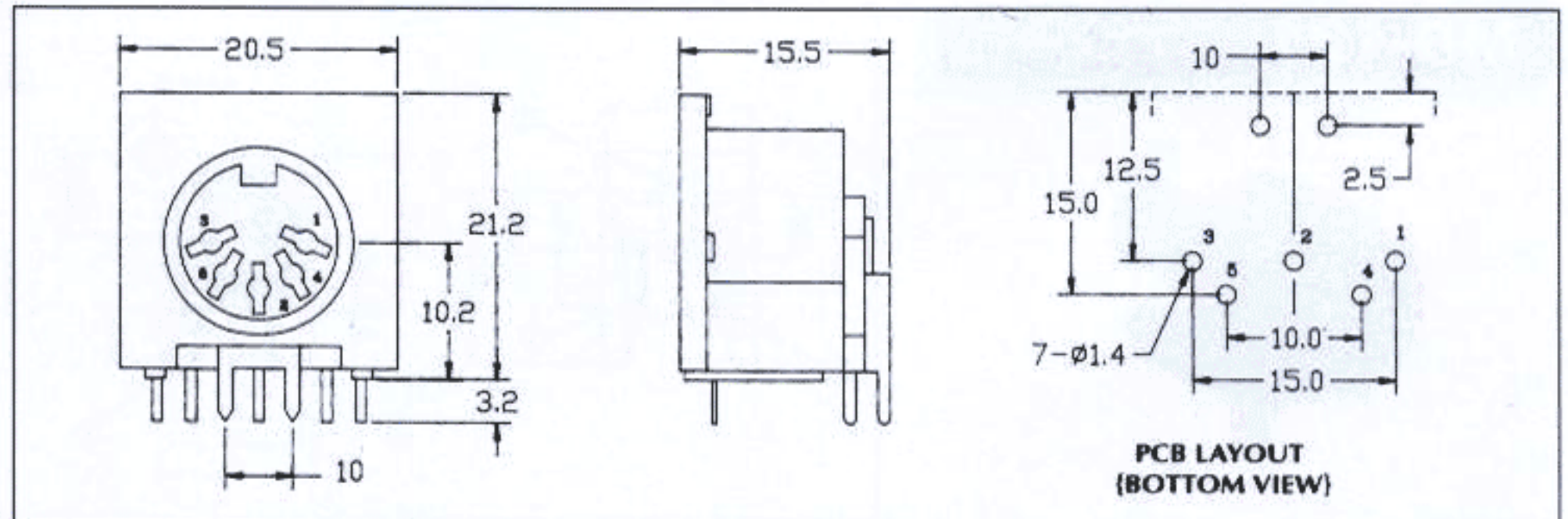
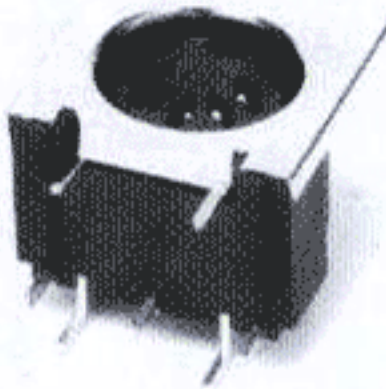
DN-101-M10



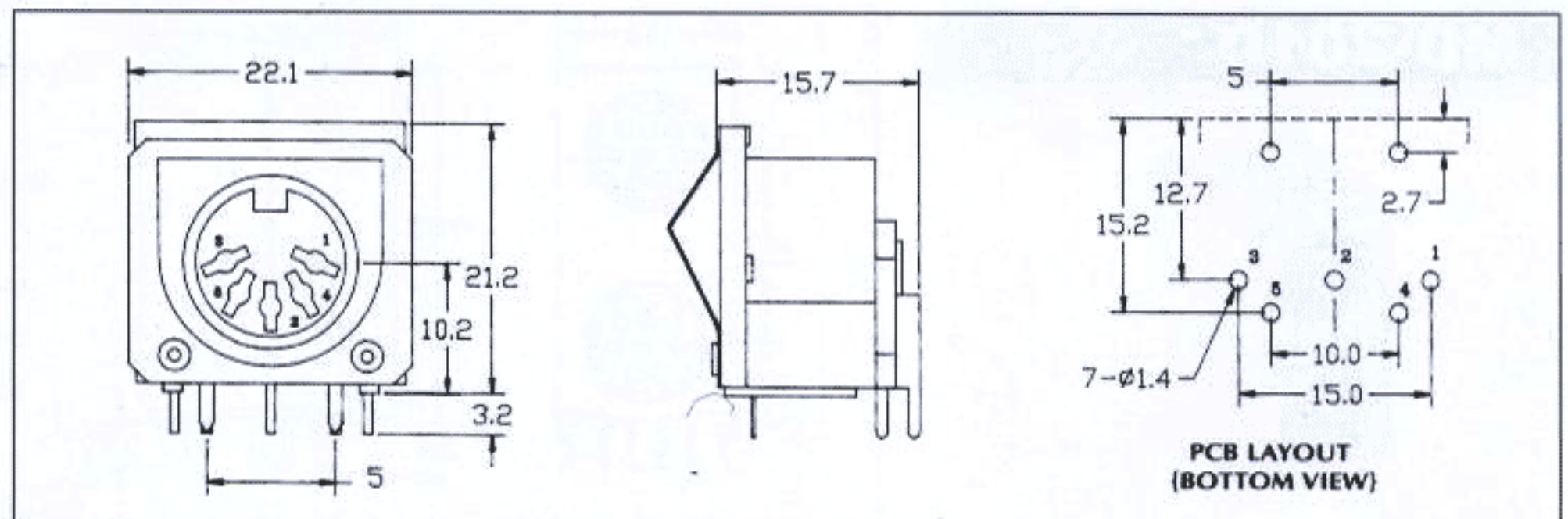
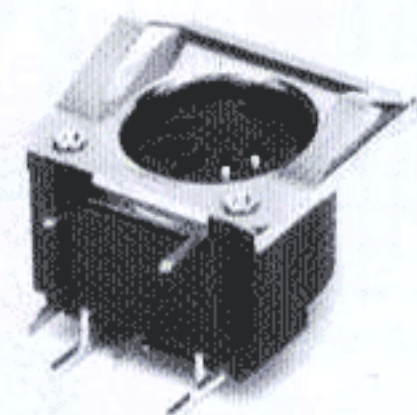
DN-102



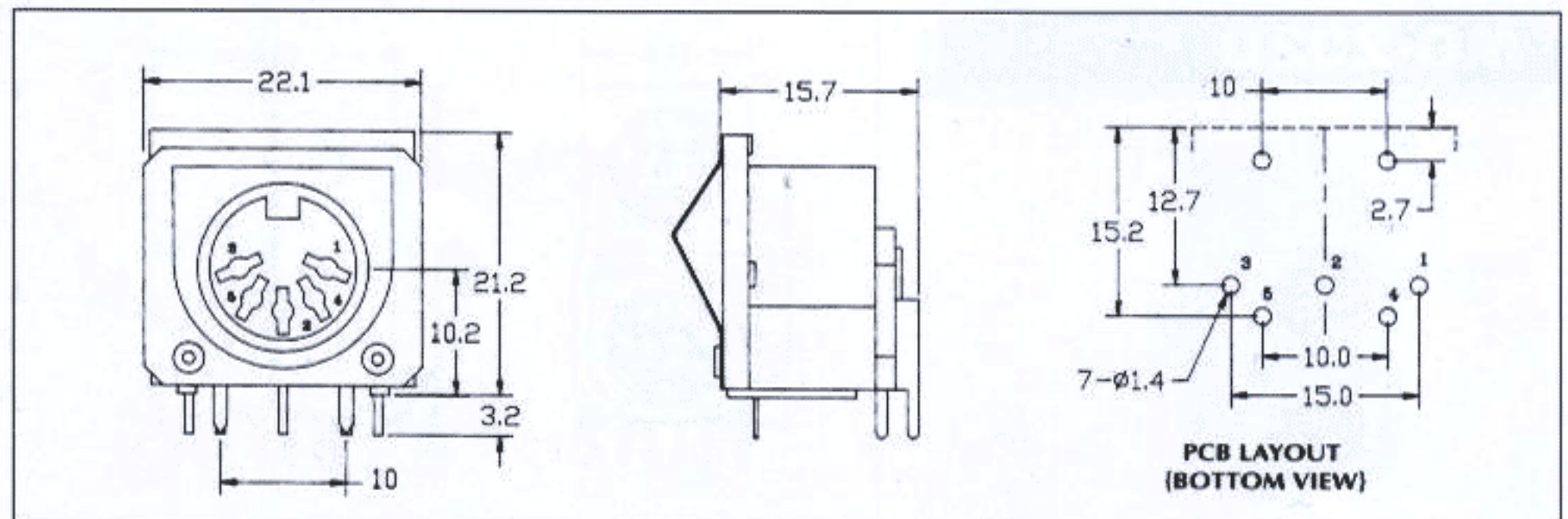
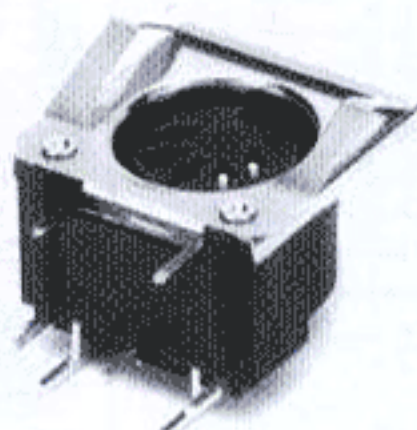
DN-103



DN-206-M5

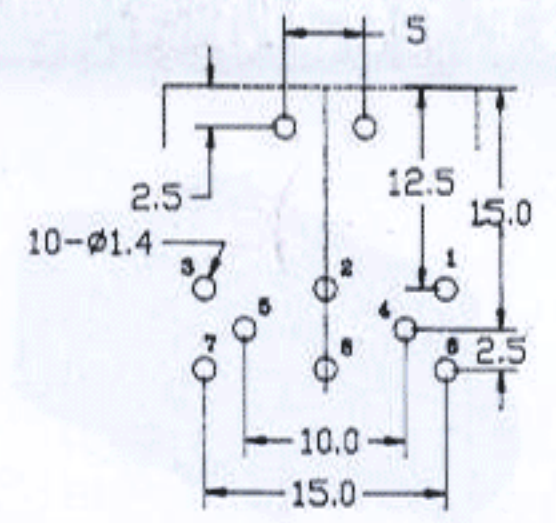
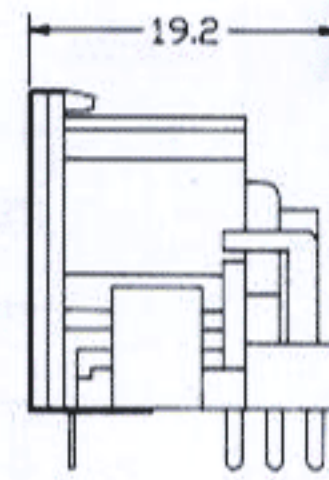
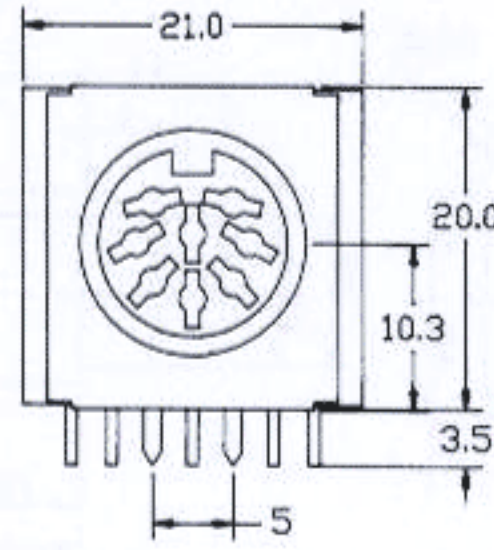
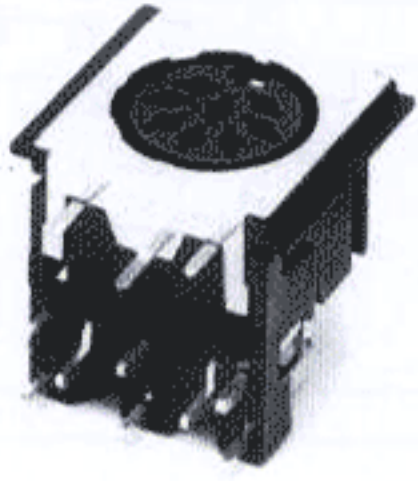


DN-206-M10

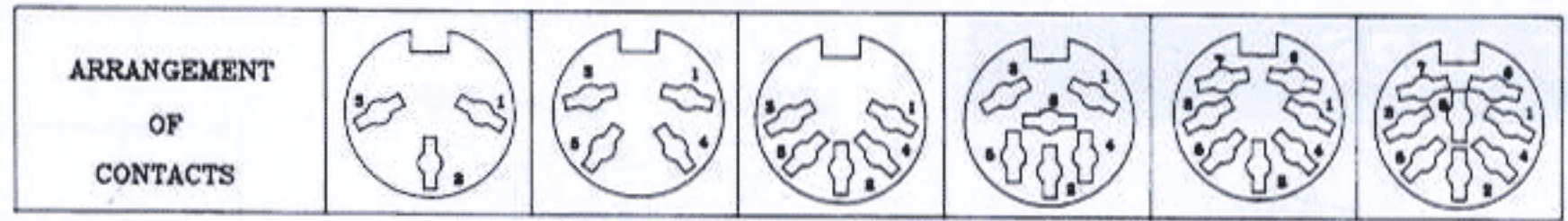


CIRCULAR DIN SOCKETS

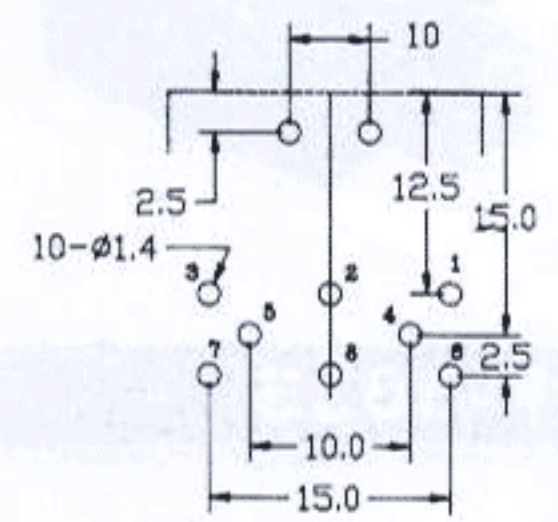
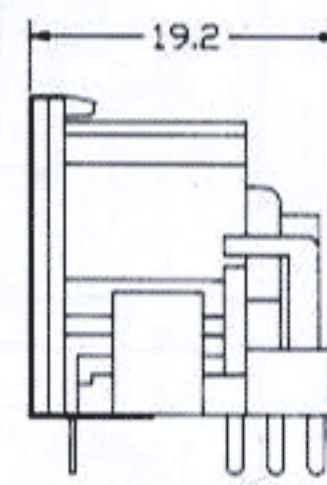
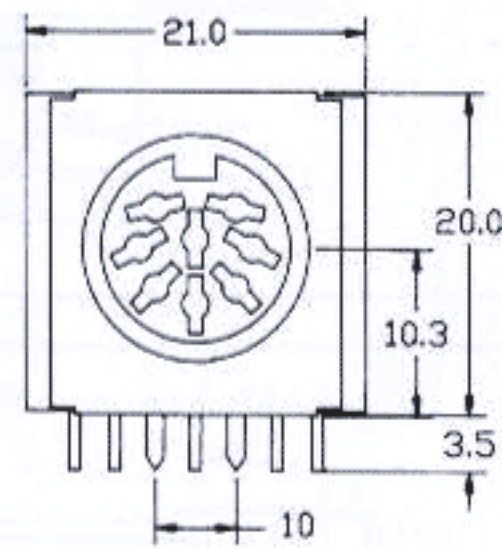
DN-105-M5



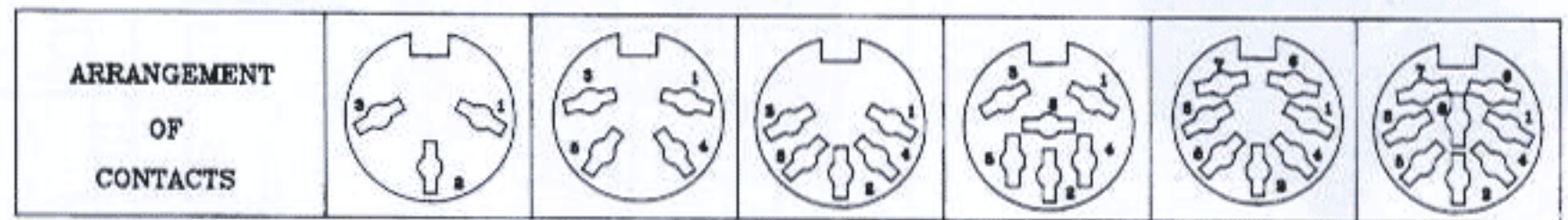
PCB LAYOUT
(BOTTOM VIEW)



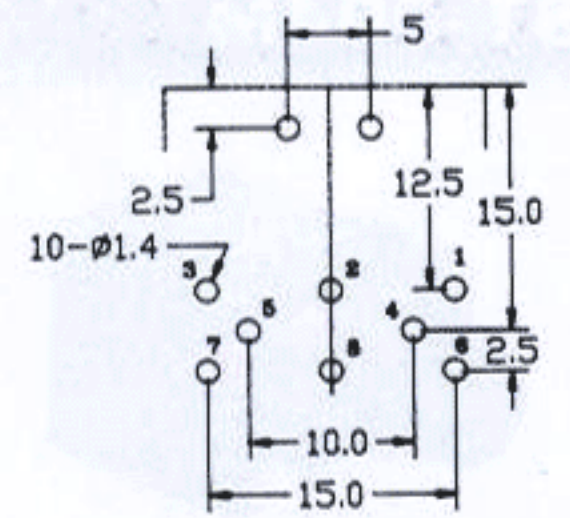
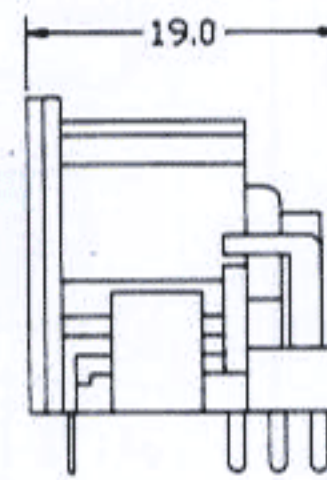
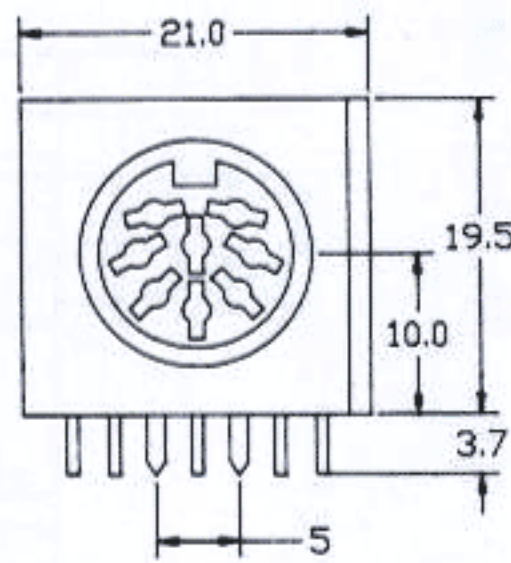
DN-105-M10



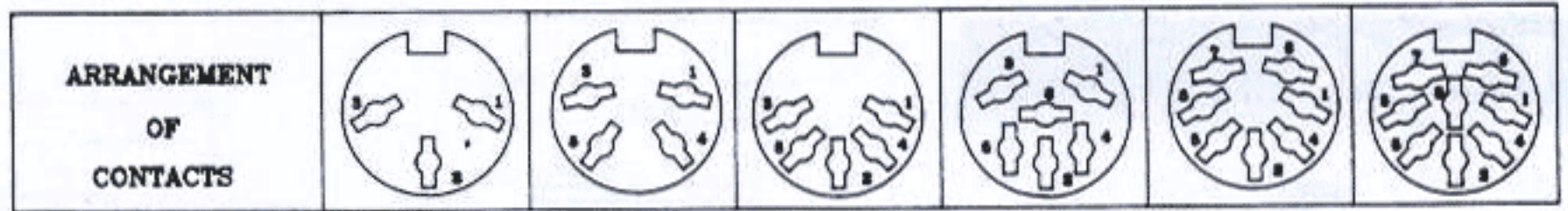
PCB LAYOUT
(BOTTOM VIEW)



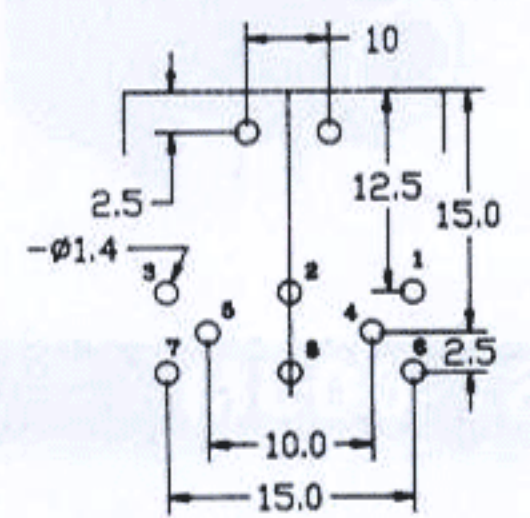
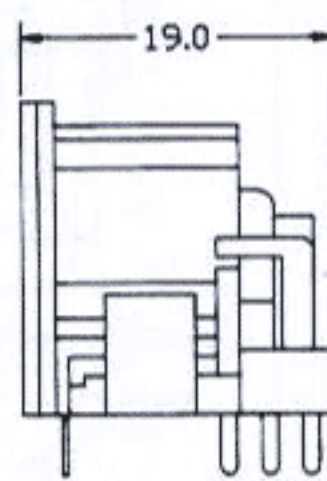
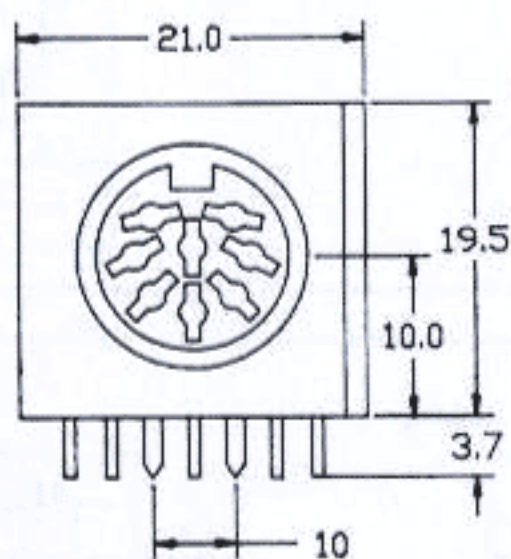
DN-104-M5



PCB LAYOUT
(BOTTOM VIEW)



DN-104-M10



PCB LAYOUT
(BOTTOM VIEW)

