

S314

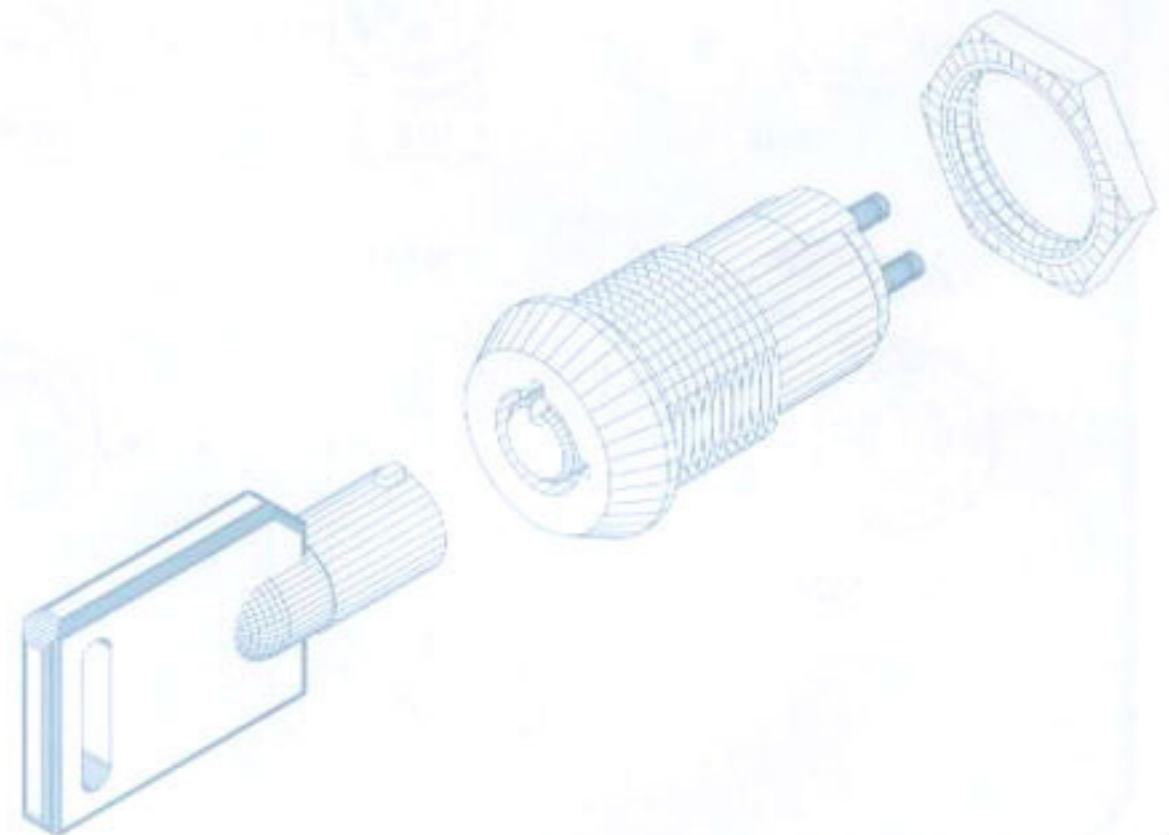
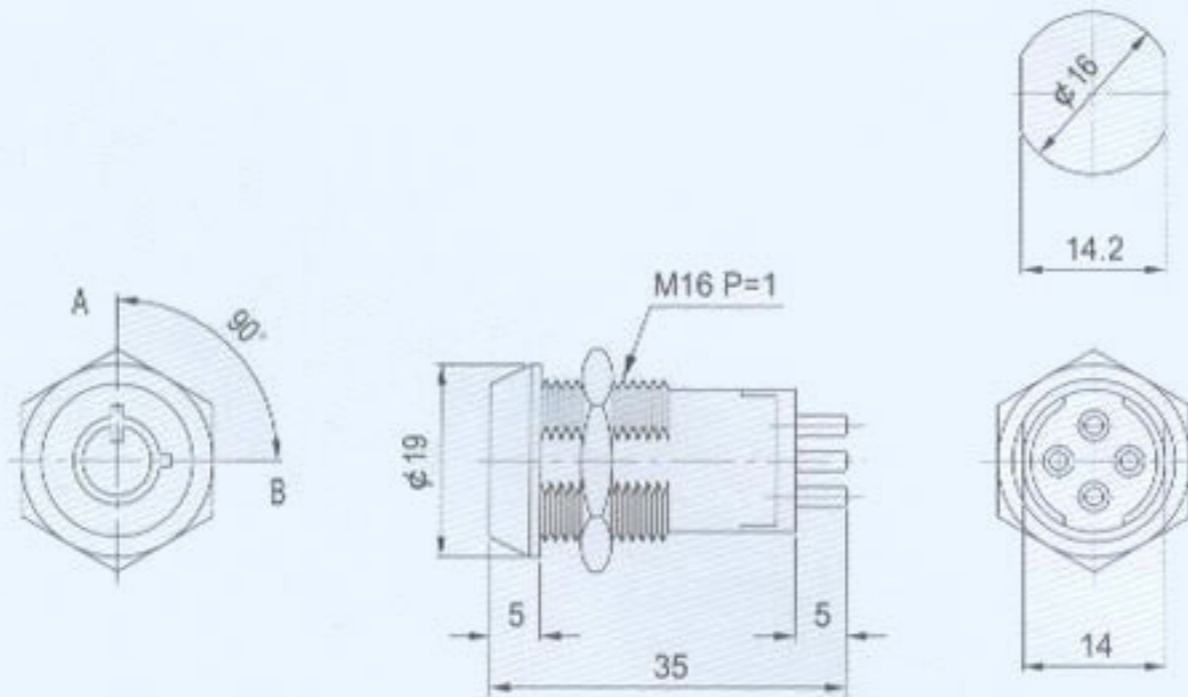


DESCRIPTION

- . Zinc alloy die cast housing and cylinder.
- . Bright chrome plated standard.
- . 7 pin tumbler mechanism.
- . Steel made tubular keys, chrome plated, with plastic cover.
- . Key may be withdrawn in one or both positions.
- . Silver plated contacts and terminals.
- . 2 position (on-on) 4 terminals.
- . Hex nut mounted.
- . All keyed alike or one combination per 100pcs standard.
- . 10000 combinations available.

Unit: mm

Recommended hole size



- -OFF POSITION
- -INDICATES KEY-PULL
- -INDICATES NO KEY-PULL



Fig.1



Fig.2

Fig No	Lock Number	Pole	Positions	Terminals	Key Pulls	Turn	↑	→	Type
1	S314-1	1	2	4	1	90°	On	On	SPDT
2	S314-2	1	2	4	2	90°	On	On	SPDT

S331 S332 S333

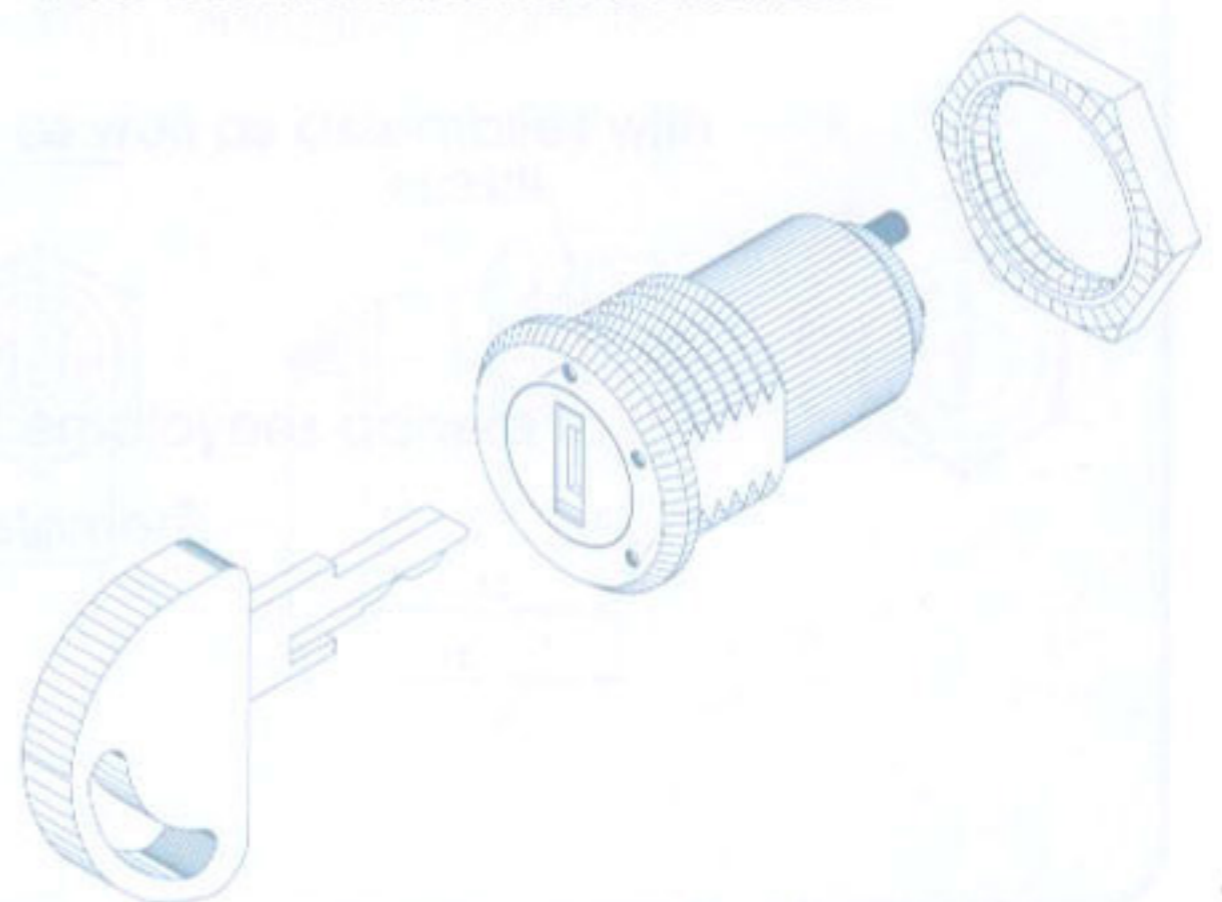
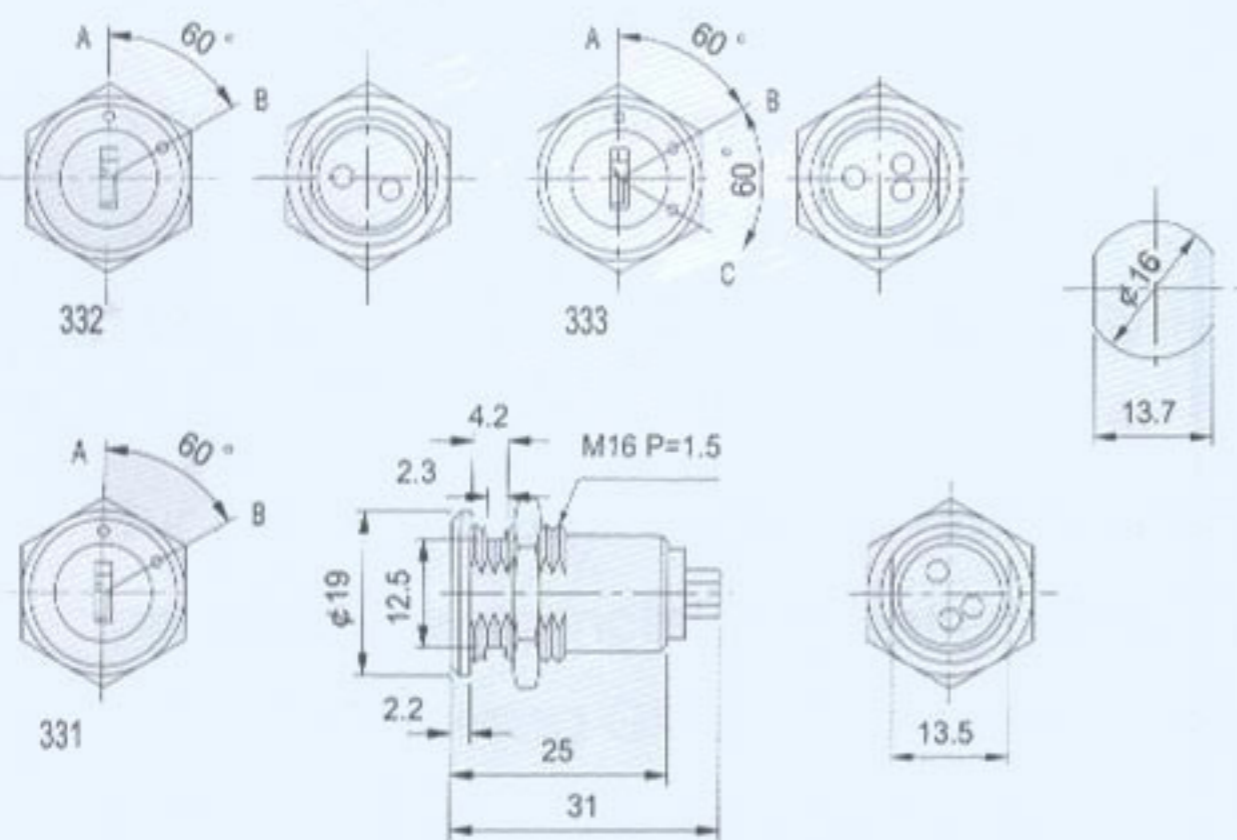


DESCRIPTION

- . Zinc alloy die cast housing and plastic cylinder.
- . Bright chrome plated standard.
- . 3 disc tumbler mechanism.
- . Brass keys, nickel plated, with plastic cover.
- . Key may be withdrawn in one or both or three positions.
- . Silver plated contacts and terminals.
- . S331 2 position (on-on) 60 index 3 terminals.
- . S332 2 position (off-on) 60 index 2 terminals.
- . S333 3 position (off-on-on) 60 index 3 terminals.
- . Hex nut or speed clip mounted.
- . All keyed alike or 16 combinations standard.
- . 16 combinations available.

Unit: mm

Recommended hole size



○ -OFF POSITION

■ -INDICATES KEY-PULL

● -INDICATES NO KEY-PULL



Fig.1



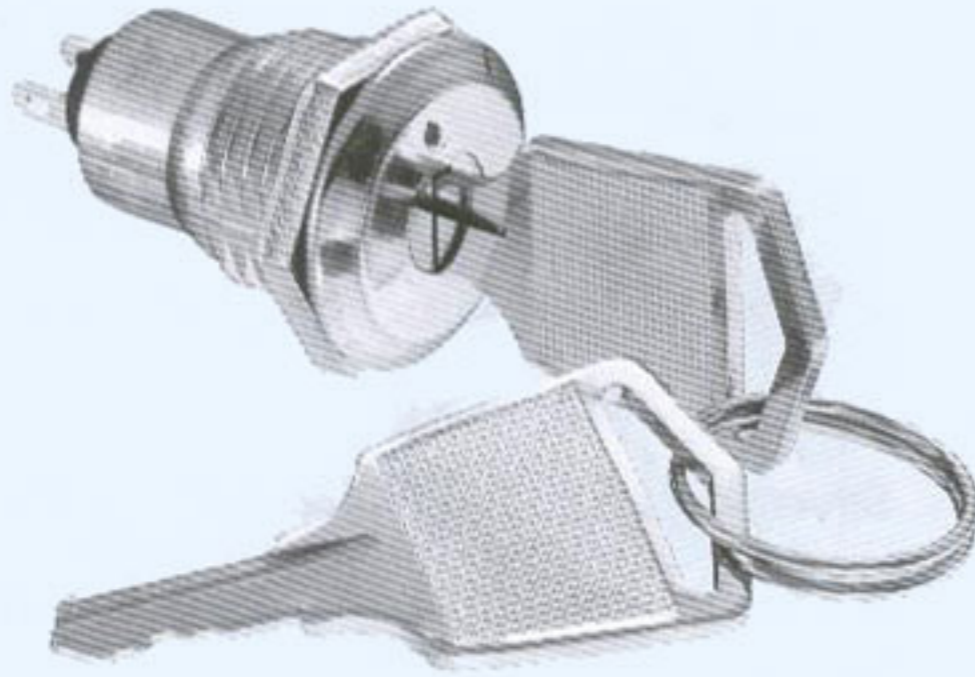
Fig.2



Fig.3

Fig No	Lock Number	Pole	Positions	Terminals	Key Pulls	Turn	↑ ↗ ↘	Type
1	S331	1	2	3	2	60°	On On	SPDT
2	S332	1	2	2	2	60°	Off On	SPST
3	S333	1	3	3	3	120°	Off On On	SPDT

S334B

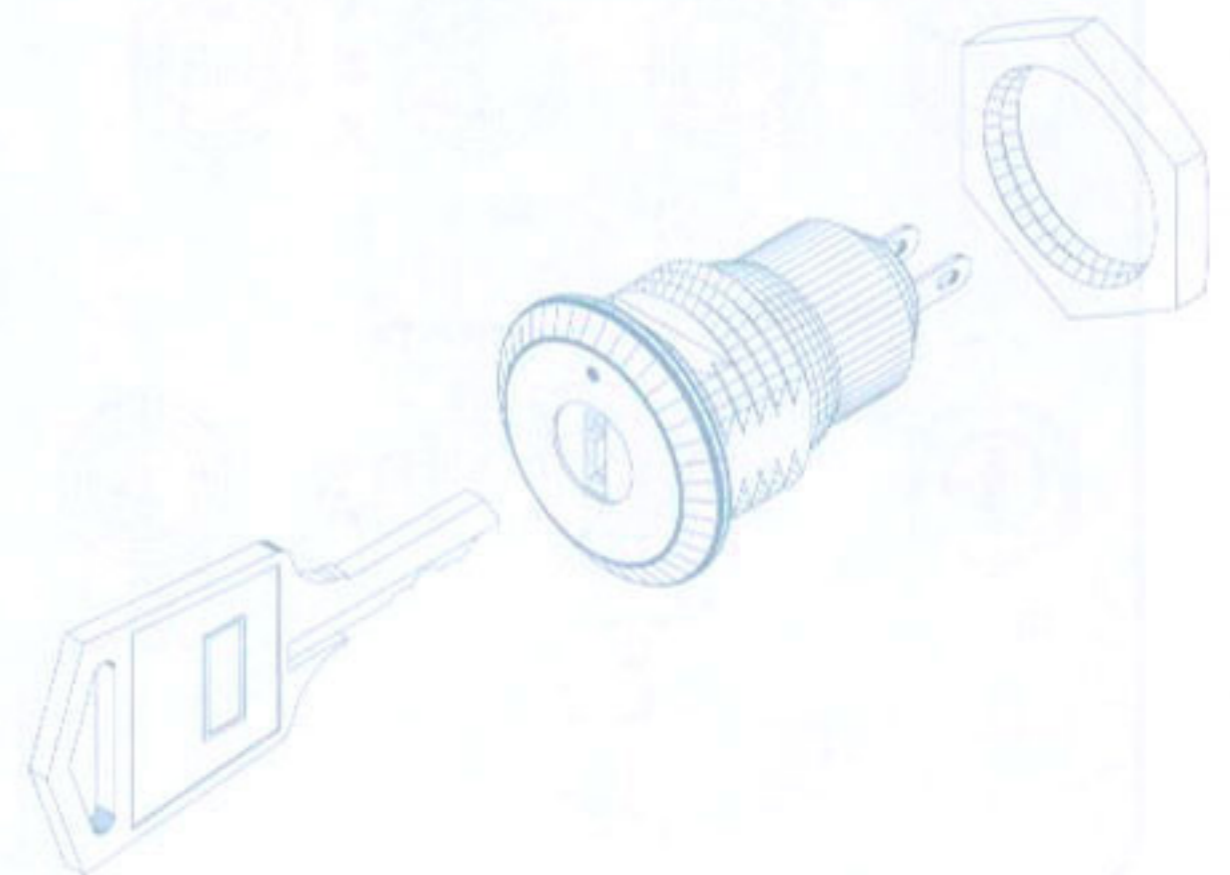
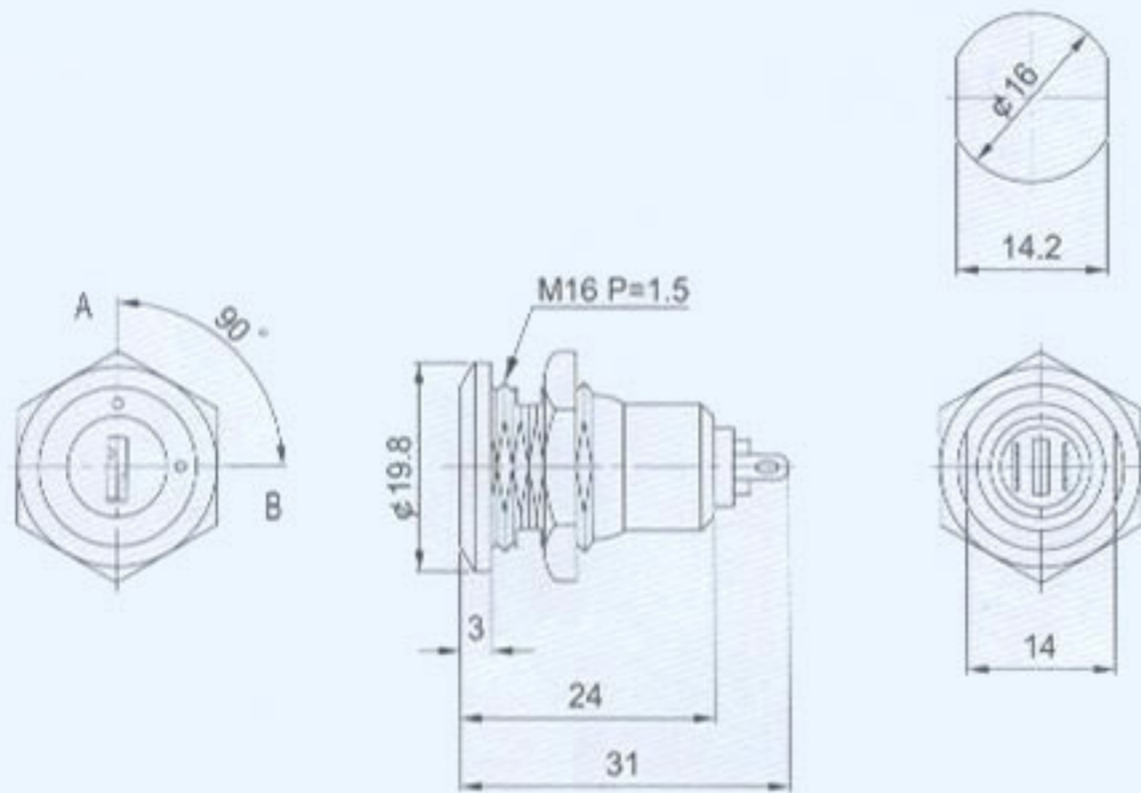


DESCRIPTION

- . Zinc alloy die cast housing and plastic cylinder.
- . Stainless steel capped bezel.
- . Zinc plated standard.
- . 4 disc tumbler mechanism.
- . Brass keys, nickel plated.
- . Key may be withdrawn in one or both positions.
- . Silver plated contacts and terminals.
- . 2 position (off-on) 2 terminals.
- . Hex nut or speed clip mounted.
- . All keyed alike or 20 combinations standard.
- . 20 combinations available.

Unit: mm

Recommended hole size



○ -OFF POSITION

■ -INDICATES KEY-PULL

● -INDICATES NO KEY-PULL

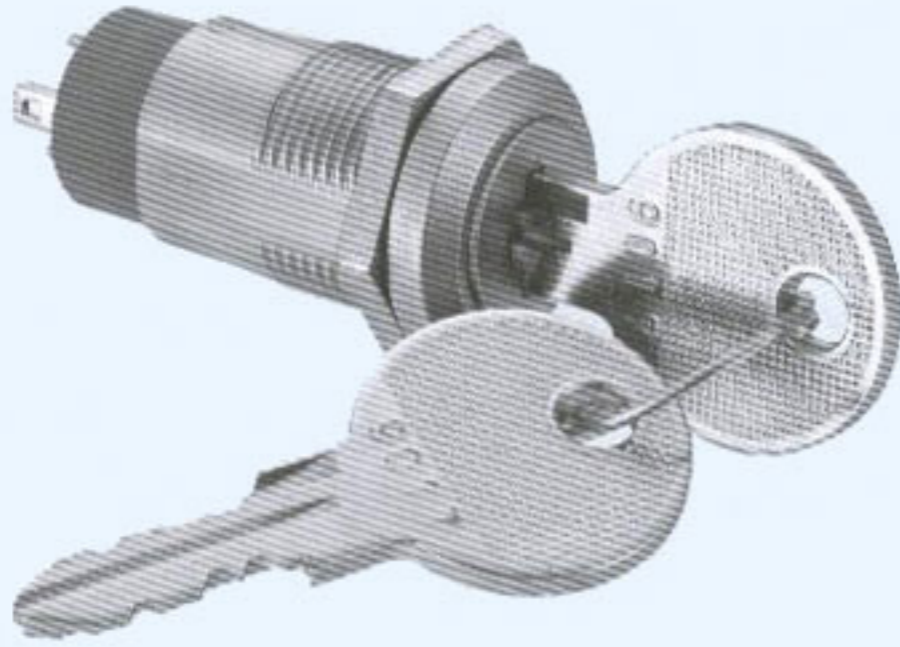


Fig.1

Fig.2

Fig No	Lock Number	Pole	Positions	Terminals	Key Pulls	Turn	↑	→	Type
1	S334B-1	1	2	2	1	90°	Off	On	SPST
2	S334B-2	1	2	2	2	90°	Off	On	SPST

S335

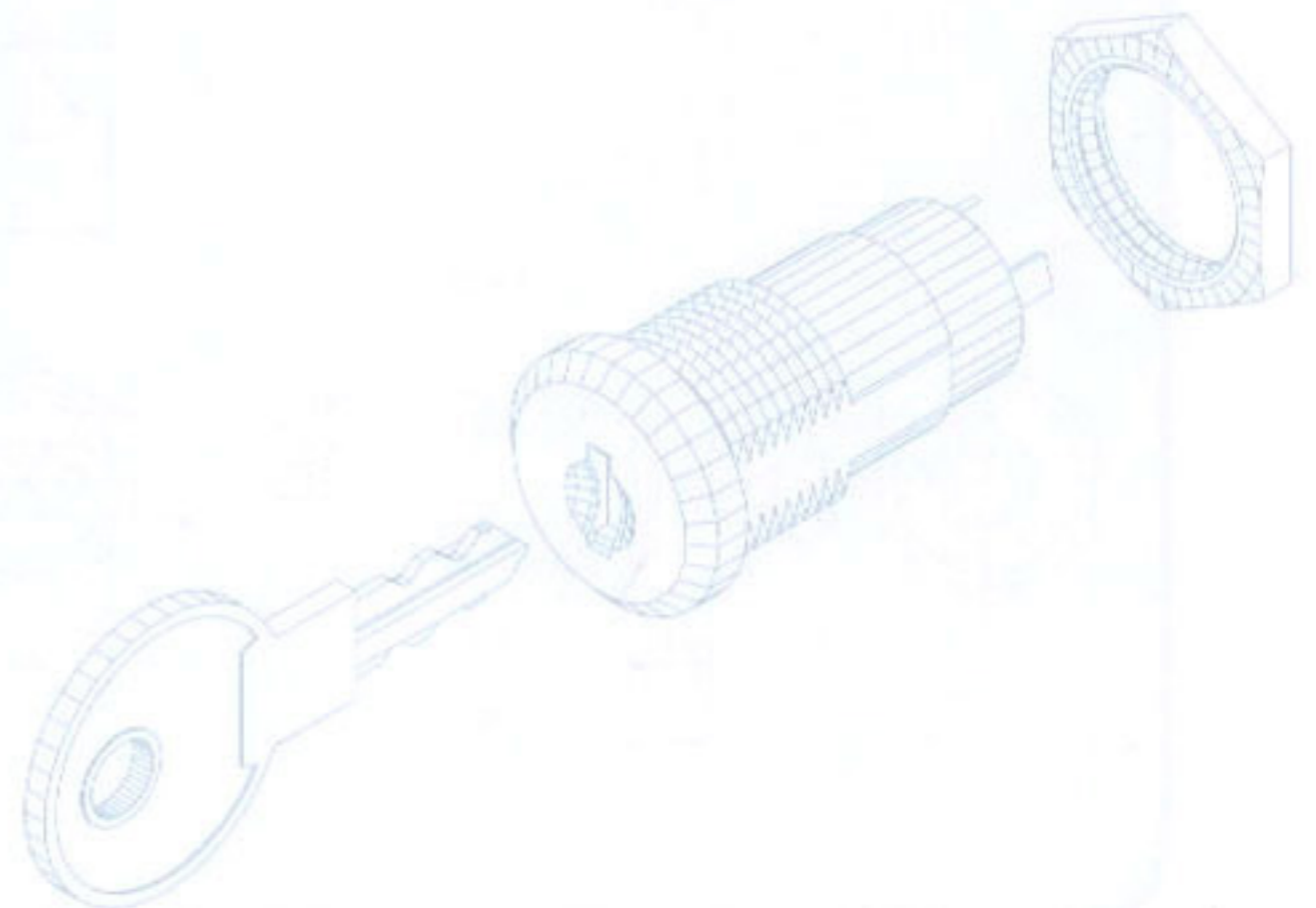
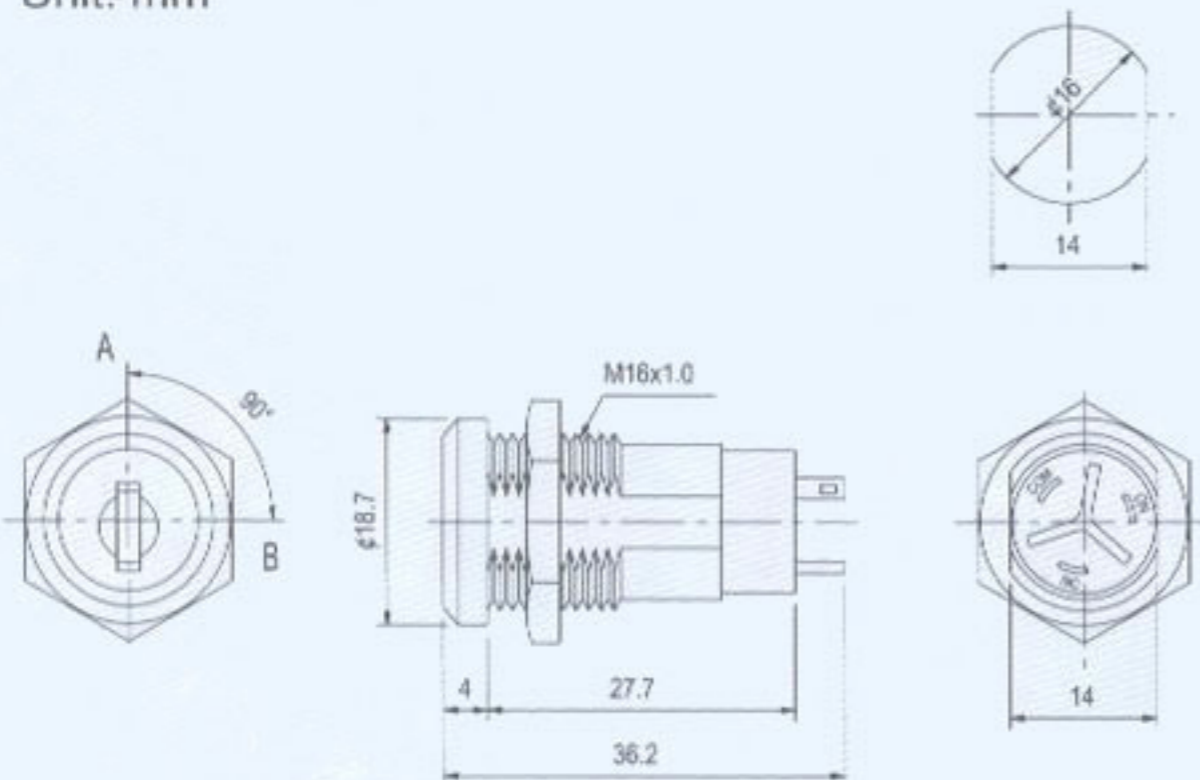


DESCRIPTION

- . Zinc alloy die cast housing and cylinder.
- . Satin nickel plated standard.
- . 5 disc tumbler mechanism.
- . Brass keys, nickel plated.
- . Key withdrawals in both positions only.
- . Golden plated contacts and terminals.
- . 2 position (on-on) 3 terminals.
- . Hex nut mounted.
- . All keyed alike or 25 combinations standard.
- . 100 combinations available.

Unit: mm

Recommended hole size



- -OFF POSITION
- -INDICATES KEY-PULL
- -INDICATES NO KEY-PULL



Fig.1

Fig No	Lock Number	Pole	Positions	Terminals	Key Pulls	Turn	↑	→	Type
1	S335-2	1	2	3	2	90°	On	On	SPDT