

NS102

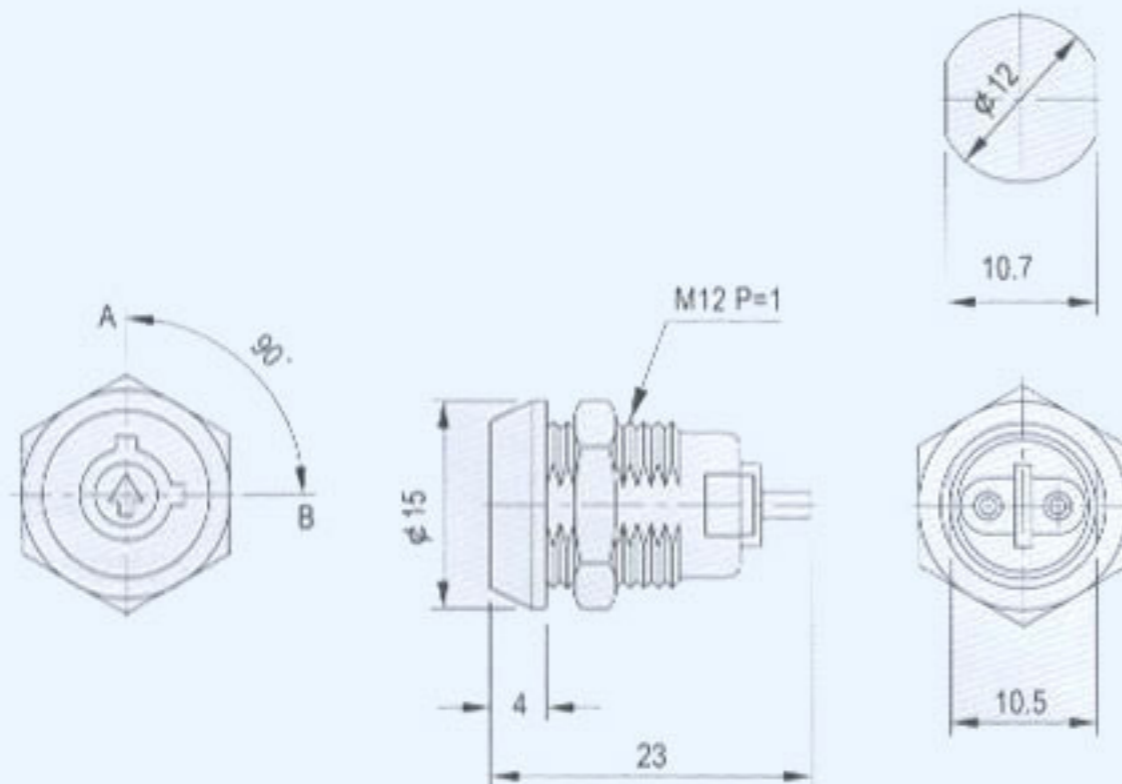


DESCRIPTION

- . Zinc alloy die cast housing and cylinder.
- . Bright chrome plated standard.
- . No pin tumbler mechanism.
- . Zinc alloy tubular keys, chrome plated.
- . Key withdrawals in both positions only.
- . Silver plated contacts and terminals.
- . 2 position (off-on) 2 terminals.
- . Hex nut or speed clip mounted.
- . 1 combination only.

Unit: mm

Recommended hole size



○ -OFF POSITION

■ -INDICATES KEY-PULL

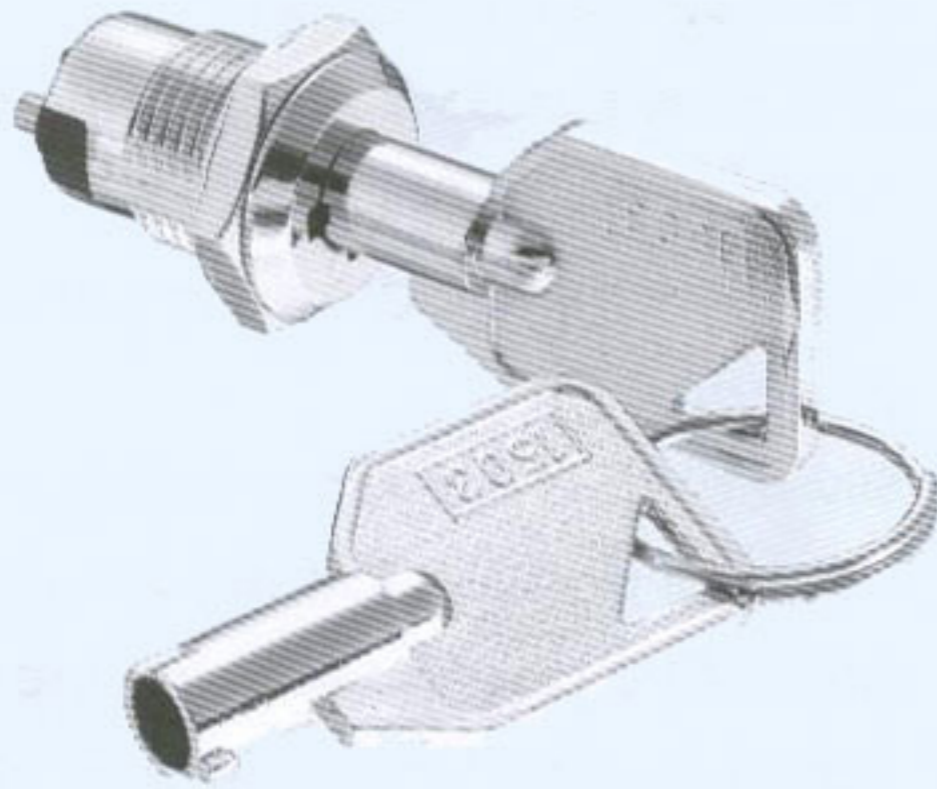
● -INDICATES NO KEY-PULL



Fig 1

Fig No	Lock Number	Pole	Positions	Terminals	Key Pulls	Turn	↑	→	Type
1	NS102-2	1	2	2	2	90°	Off	On	SPST

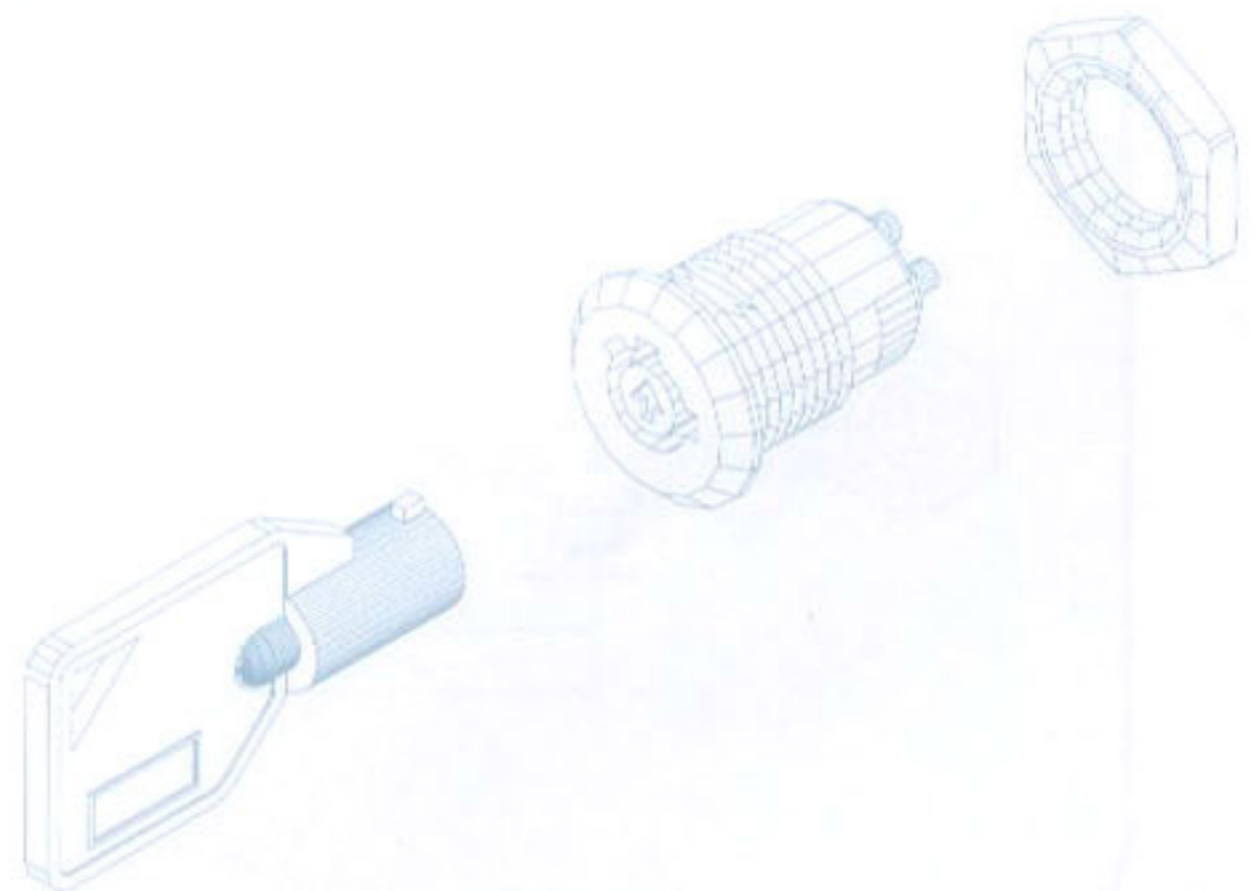
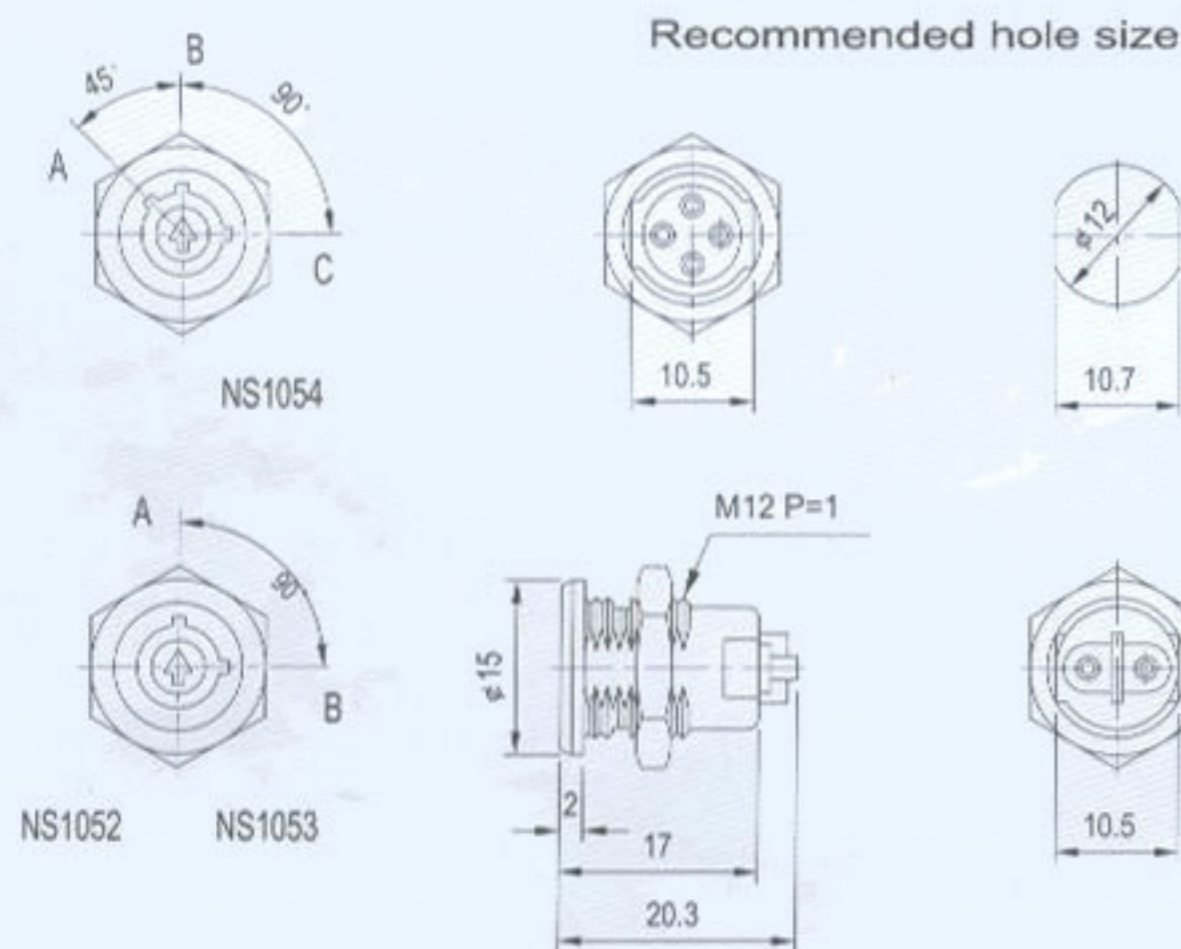
NS1052 NS1053 NS1054



DESCRIPTION

- . Zinc alloy die cast housing and cylinder.
- . Bright chrome plated standard.
- . No pin tumbler mechanism.
- . Zinc alloy tubular keys, chrome plated.
- . Key may be withdrawn in both or three positions.
- . Silver plated contacts and terminals.
- . NS1052 2 position (off-on) 2 terminals.
- . NS1053 2 position (on-on) 4 terminals.
- . NS1054 3 position (off-on-on) 4 terminals.
- . Hex nut or speed clip mounted.
- . All keyed alike or 6 combinations standard.
- . 6 combinations available.

Unit: mm



○ -OFF POSITION

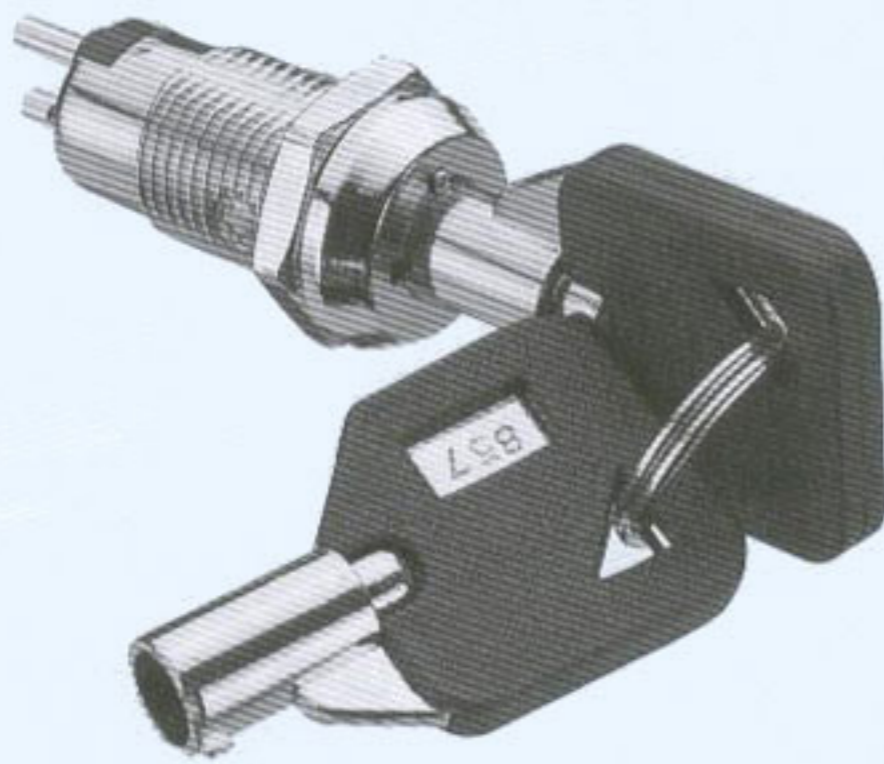
■ -INDICATES KEY-PULL

● -INDICATES NO KEY-PULL



FigNo	LockNumber	Pole	Positions	Terminals	KeyPulls	Turn	↶	↑	↷	Type
1	NS1052	1	2	2	2	90°		Off	On	SPST
2	NS1053	1	2	4	2	90°		On	On	SPDT
3	NS1054	1	3	4	3	45°-0°-90°	Off	On	On	SPDT

NS106 NS106M

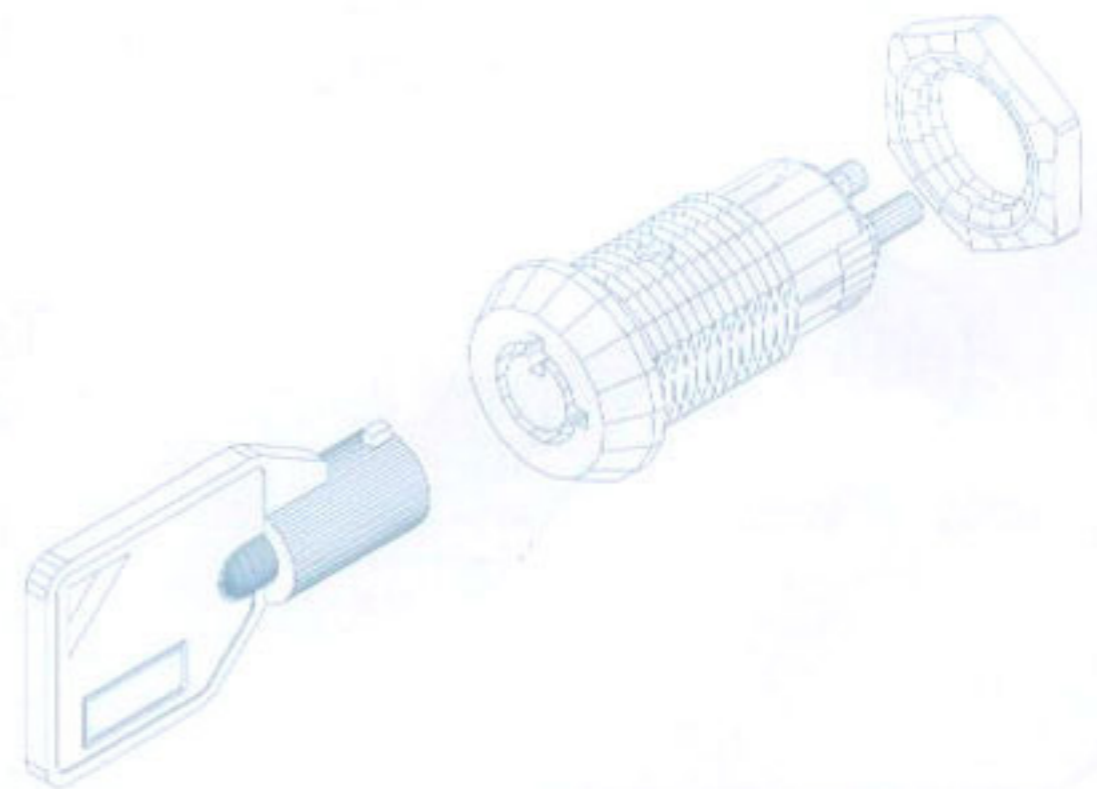
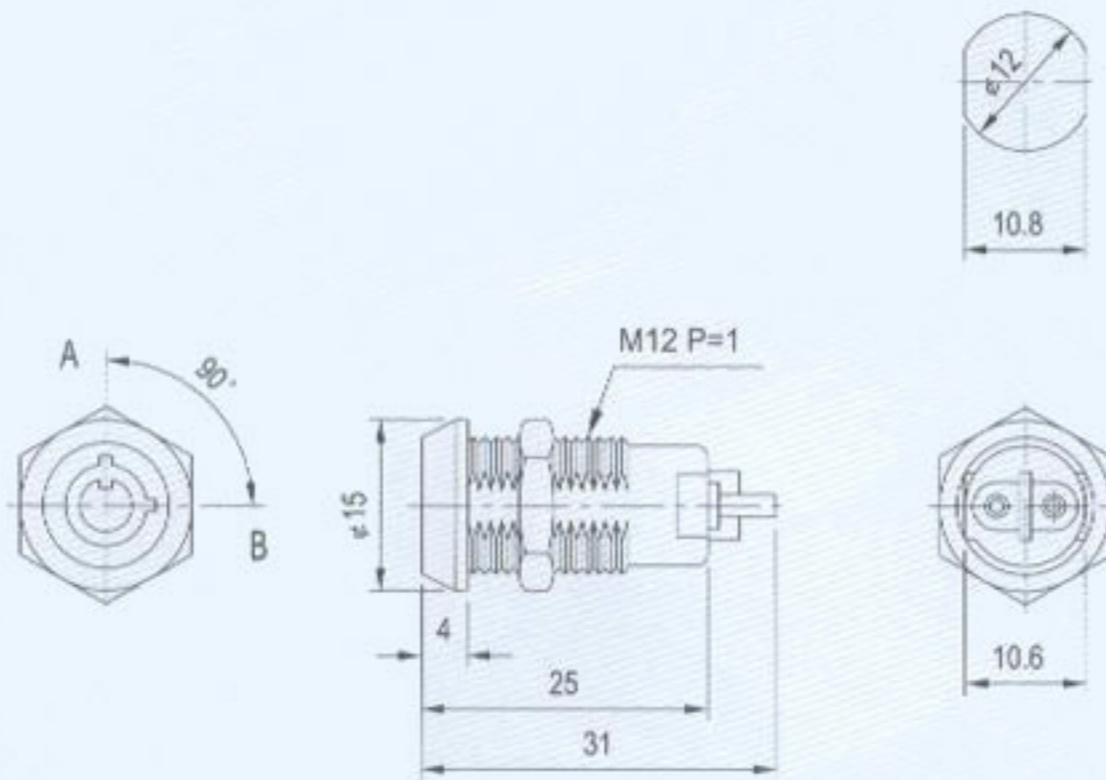


DESCRIPTION

- . Zinc alloy die cast housing and cylinder.
- . Bright chrome plated standard.
- . 4 pin tumbler mechanism.
- . Zinc alloy tubular keys, chrome plated, with plastic cover.
- . Key may be withdrawn in one or both positions.
- . Silver plated contacts and terminals.
- . NS106 2 position (off-on) 2 terminals.
- . NS106M 2 position (off-on) 2 terminals spring loaded for momentary contact.
- . Hex nut mounted.
- . All keyed alike or 200 combinations standard.
- . 200 combinations available.

Unit: mm

Recommended hole size



- -OFF POSITION
- -INDICATES KEY-PULL
- -INDICATES NO KEY-PULL

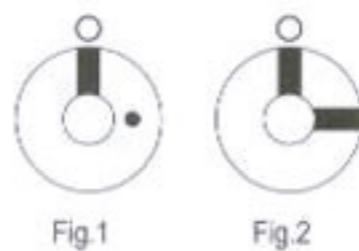


Fig No	Lock Number	Pole	Positions	Terminals	Key Pulls	Turn	↑	→	Type
1	NS106-1	1	2	2	1	90°	Off	On	SPST
2	NS106-2	1	2	2	2	90°	Off	On	SPST
1	NS106M	1	2	2	1	90°	Off	(On)	SPST

():Momentary Contact

NS112

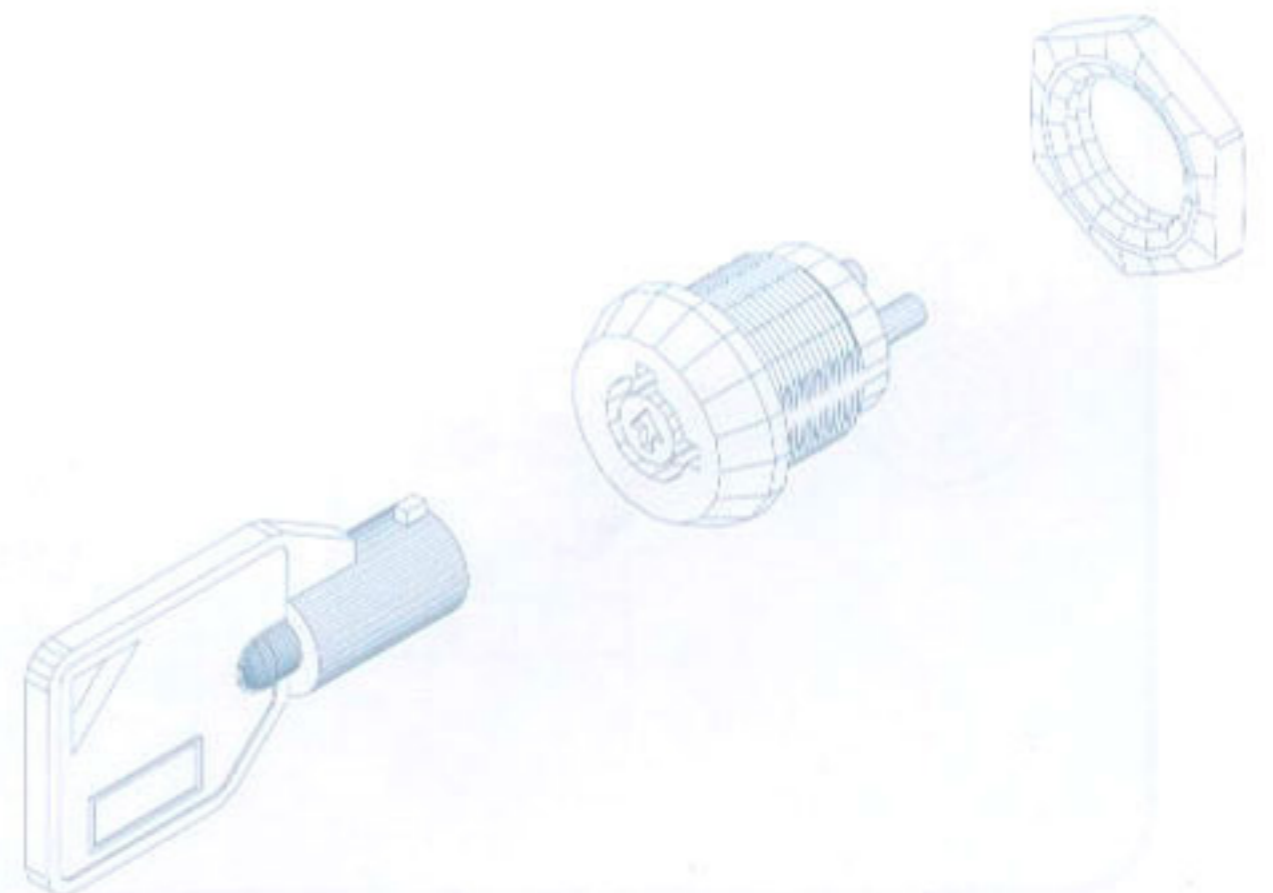
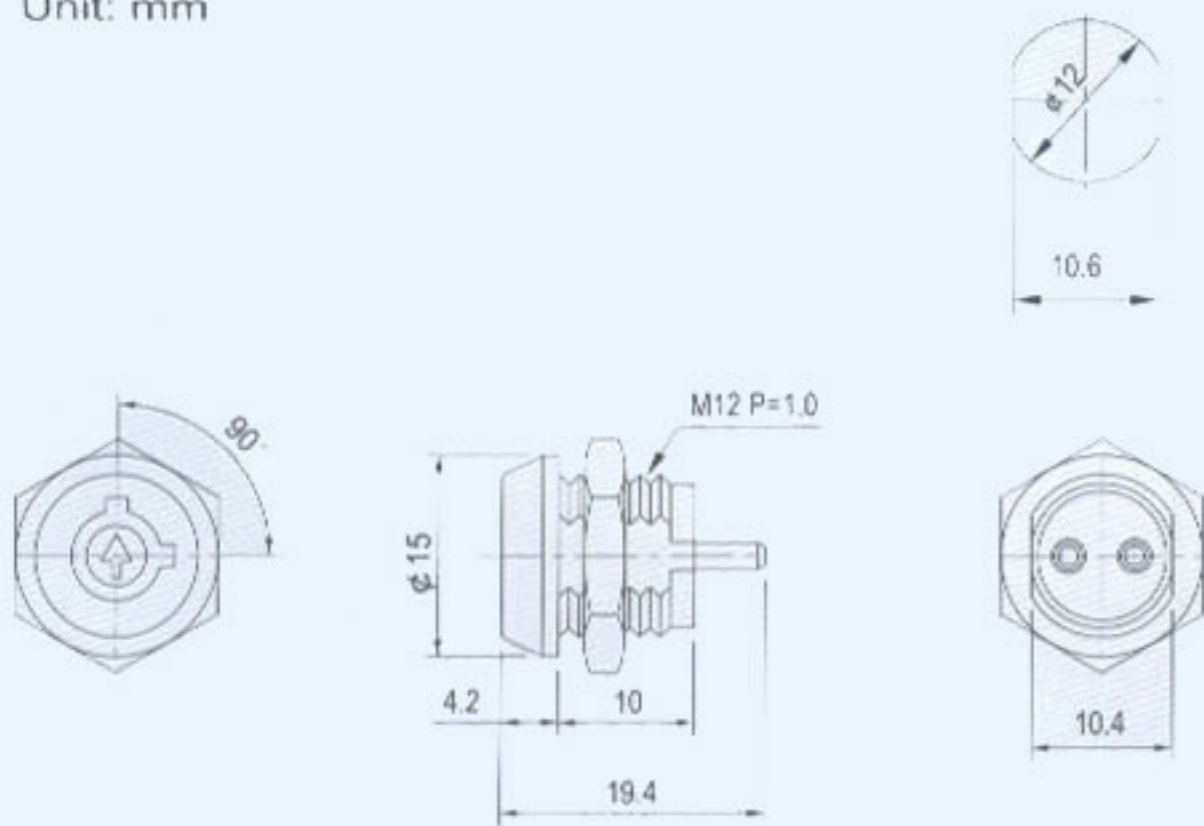


DESCRIPTION

- . Zinc alloy die cast housing and cylinder.
- . Bright chrome plated standard.
- . No pin tumbler mechanism.
- . Zinc alloy tubular keys, chrome plated.
- . Key withdrawals in both positions only.
- . Silver plated contacts and terminals.
- . 2 position (off-on) 2 terminals.
- . Hex nut mounted.
- . 1 combination only.

Unit: mm

Recommended hole size



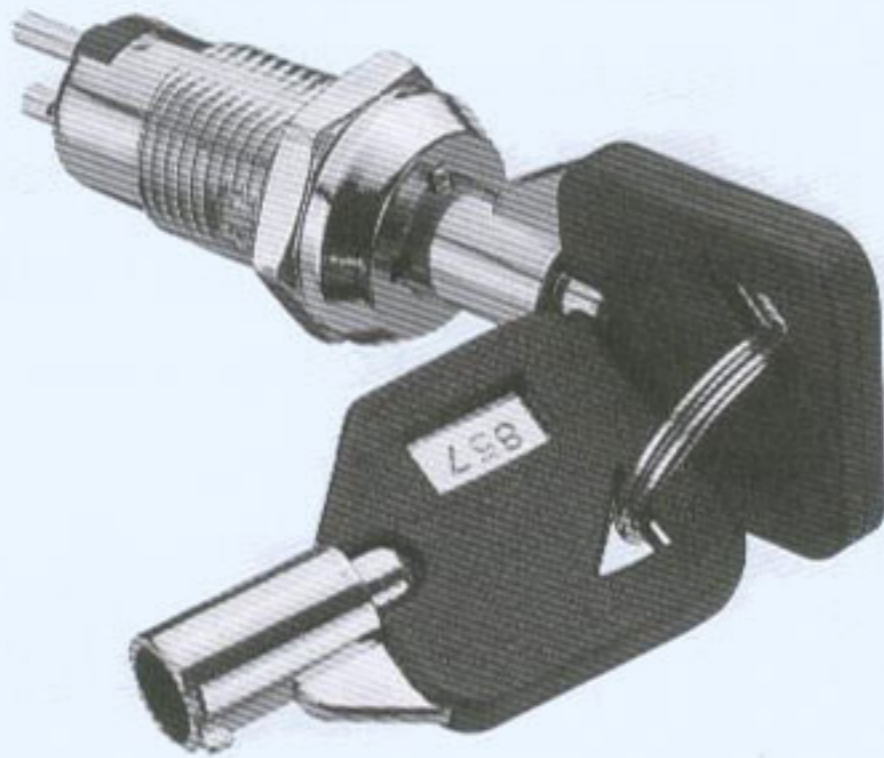
- -OFF POSITION
- -INDICATES KEY-PULL
- -INDICATES NO KEY-PULL



Fig.1

Fig No	Lock Number	Pole	Positions	Terminals	Key Pulls	Turn	↑	→	Type
1	NS112-2	1	2	2	2	90°	Off	On	SPST

NS117

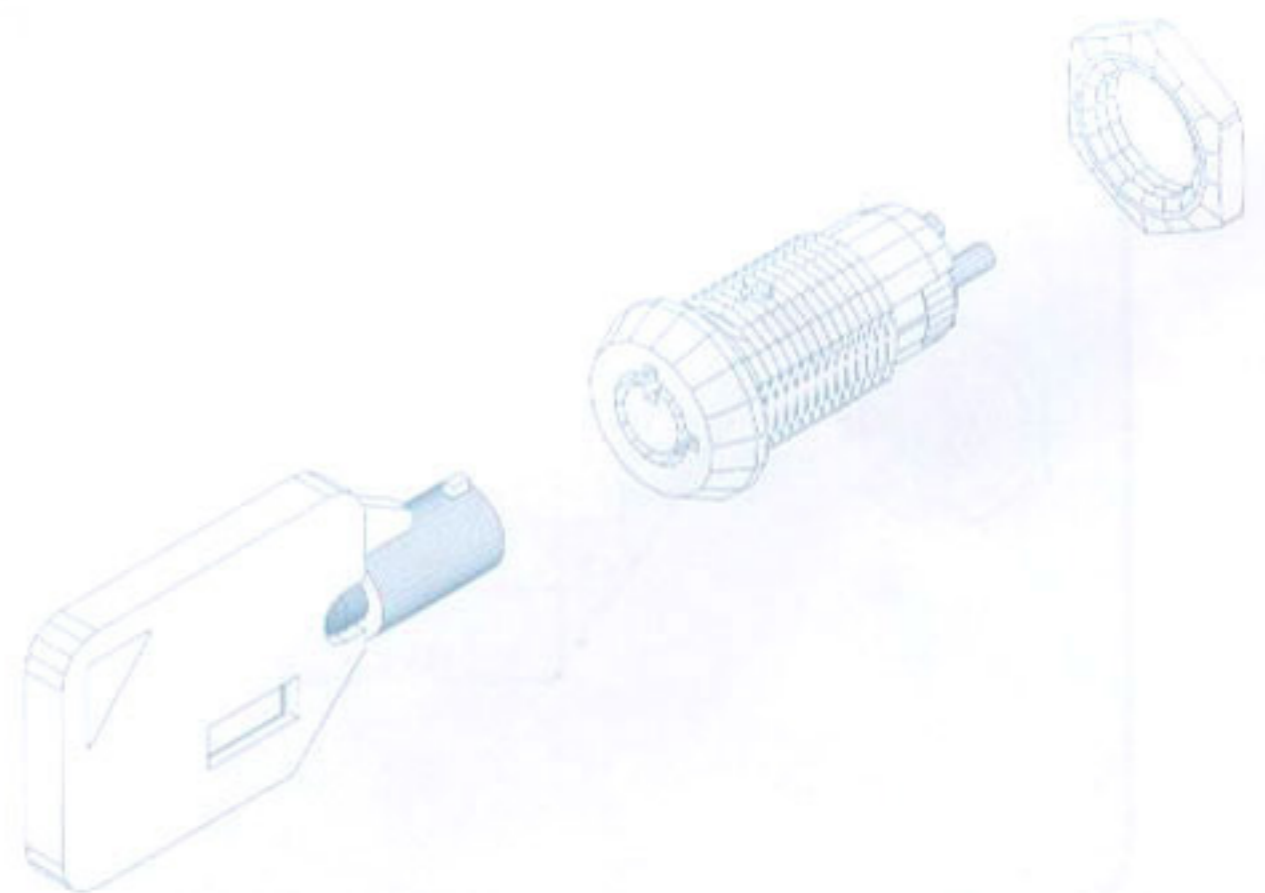
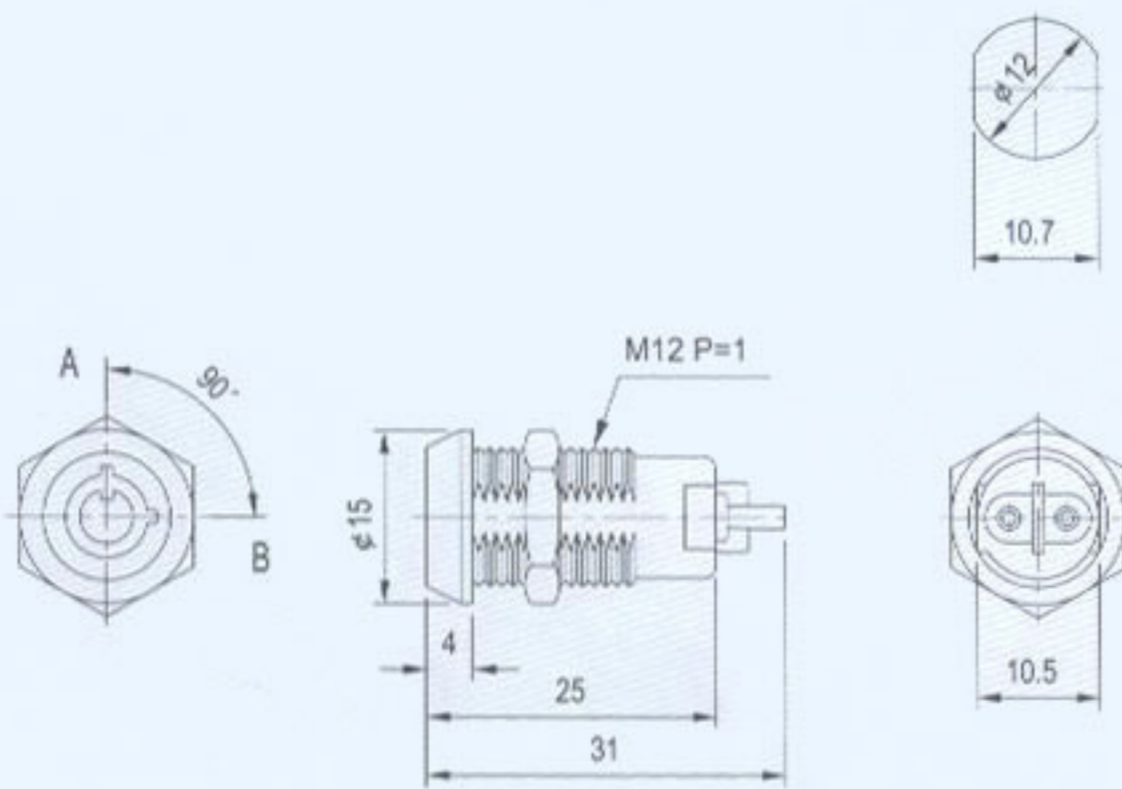


DESCRIPTION

- . Zinc alloy die cast housing and cylinder.
- . Bright chrome plated standard.
- . 7 pin tumbler mechanism.
- . Zinc alloy tubular keys, chrome plated, with plastic cover.
- . Key may be withdrawn in one or both positions.
- . Silver plated contacts and terminals.
- . 2 position (off-on) 2 terminals.
- . Hex nut mounted.
- . All keyed alike or one combination per 100pcs standard.
- . 5000 combinations available.

Unit: mm

Recommended hole size



- -OFF POSITION
- -INDICATES KEY-PULL
- -INDICATES NO KEY-PULL

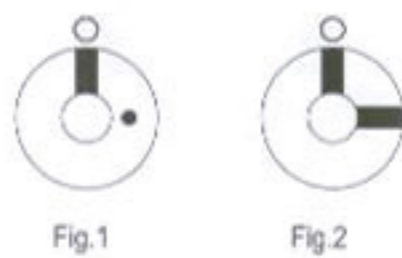


Fig No	Lock Number	Pole	Positions	Terminals	Key Pulls	Turn	↑	→	Type
1	NS117-1	1	2	2	1	90°	Off	On	SPST
2	NS117-2	1	2	2	2	90°	Off	On	SPST

S106 S116 S106M

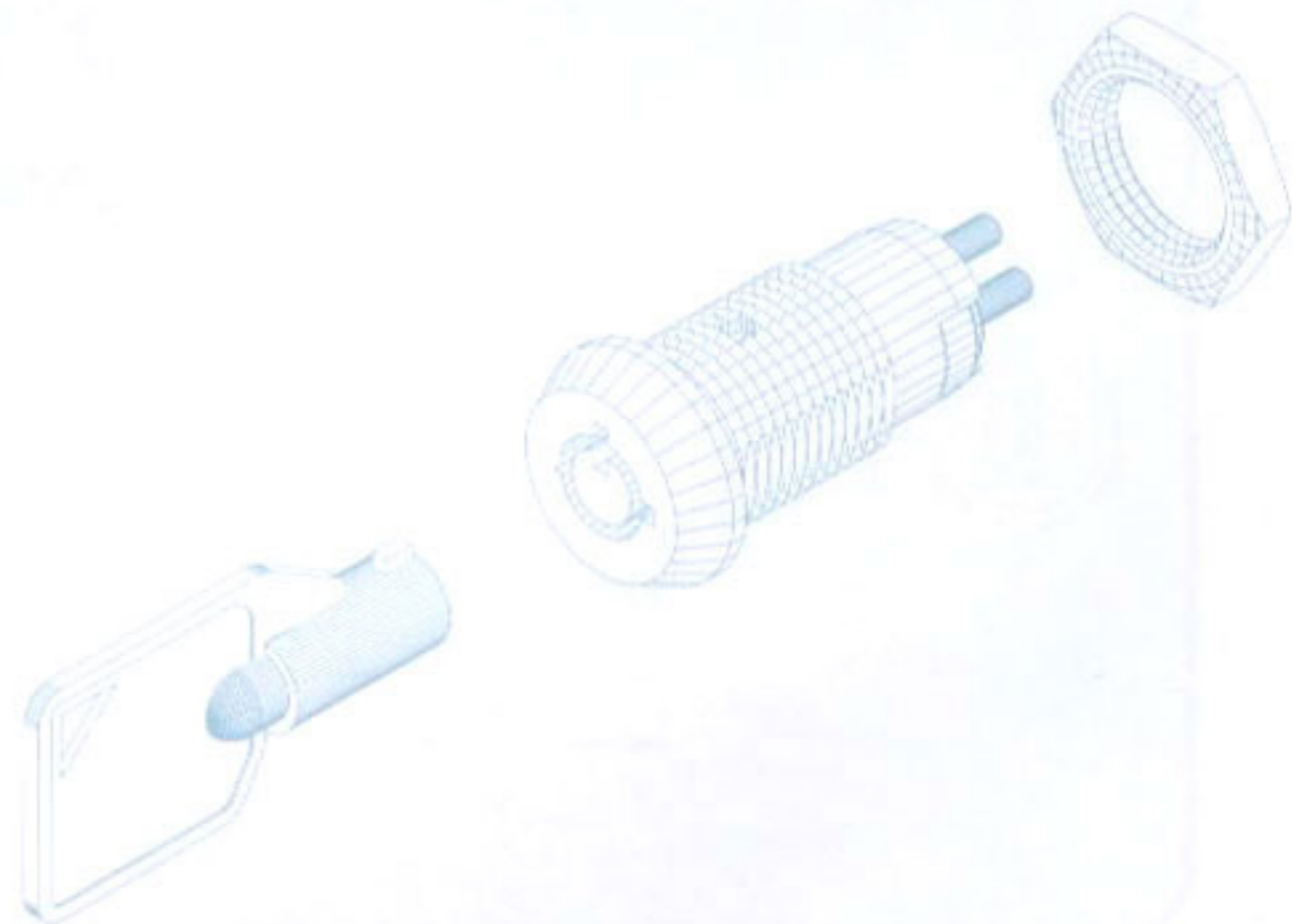
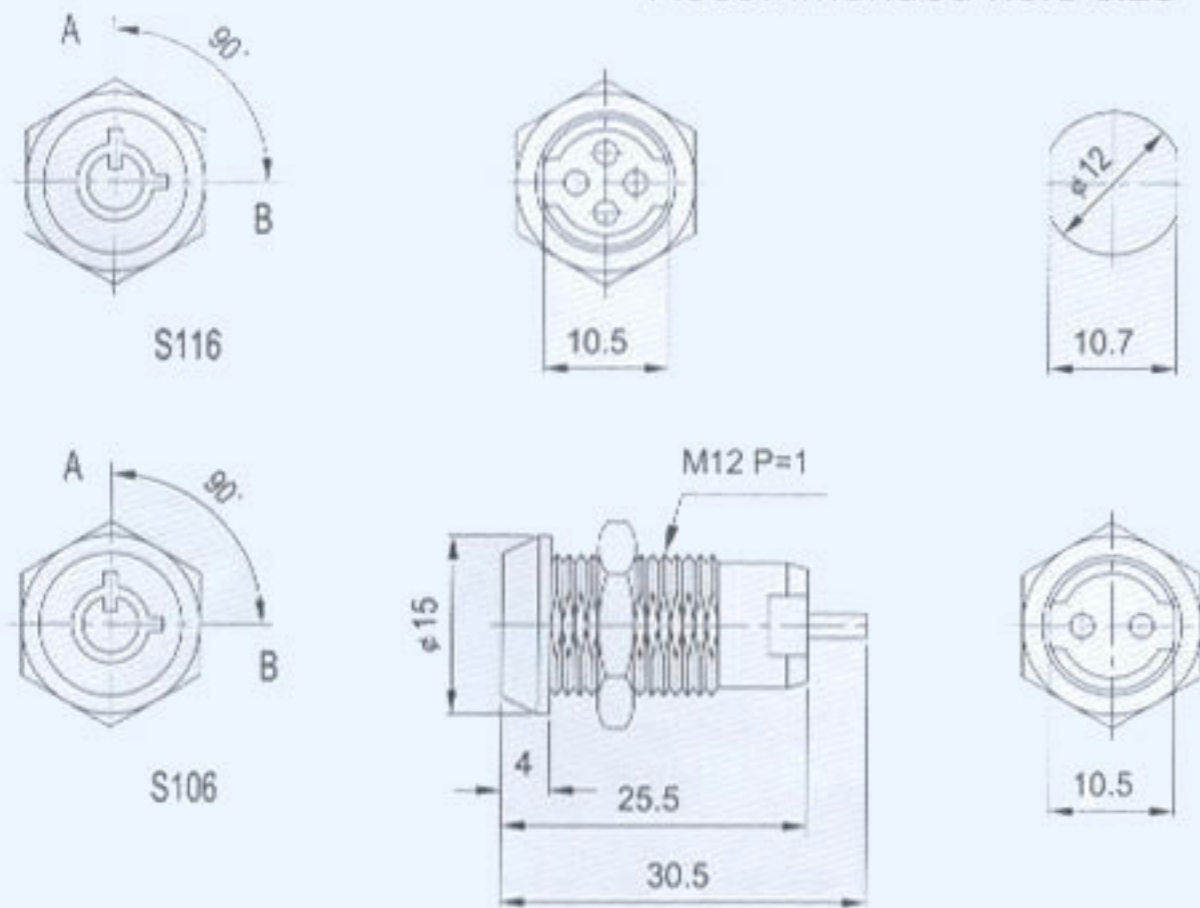


DESCRIPTION

- . Zinc alloy die cast housing and cylinder.
- . Bright chrome plated standard.
- . 4 pin tumbler mechanism.
- . Zinc alloy tubular keys, chrome plated.
- . Key may be withdrawn in one or both positions.
- . Silver plated contacts and terminals.
- . S106 2 position (off-on) 2 terminals.
- . S116 2 position (on-on) 4 terminals.
- . S106M 2 position (off-on) 2 terminals, spring loaded for momentary contact.
- . Hex nut mounted.
- . All keyed alike or one combination per 100pcs standard.
- . 200 combinations available.

Unit: mm

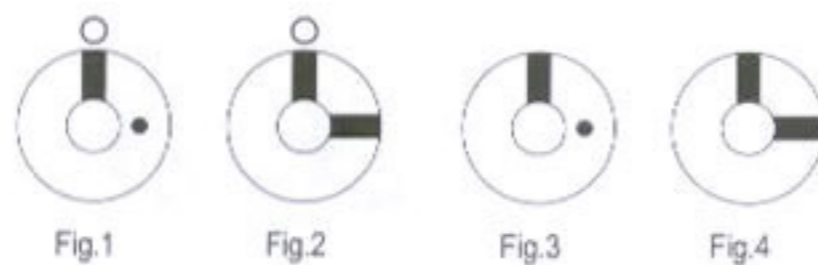
Recommended hole size



○ -OFF POSITION

■ -INDICATES KEY-PULL

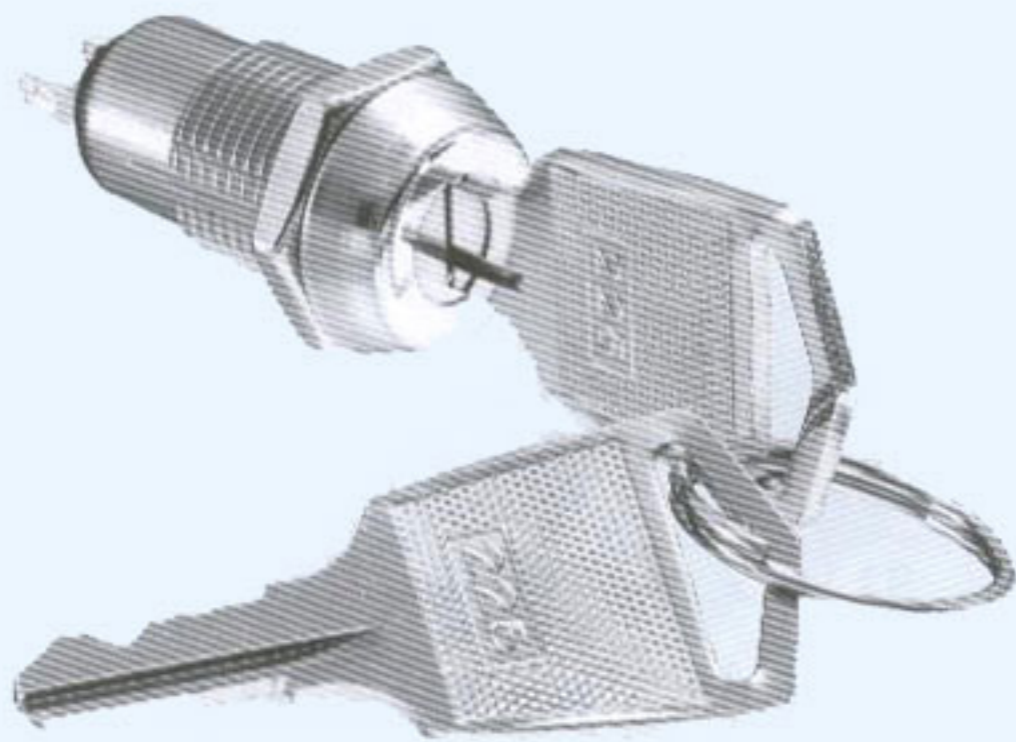
● -INDICATES NO KEY-PULL



FigNo	LockNumber	Pole	Positions	Terminals	KeyPulls	Turn	↑	→	Type
1	S106-1	1	2	2	1	90°	Off	On	SPST
2	S106-2	1	2	2	2	90°	Off	On	SPST
3	S116-1	1	2	4	1	90°	On	On	SPDT
4	S116-2	1	2	4	2	90°	On	On	SPDT
1	S106M	1	2	2	1	90°	Off	(On)	SPST

():Momentary Contact

S109B

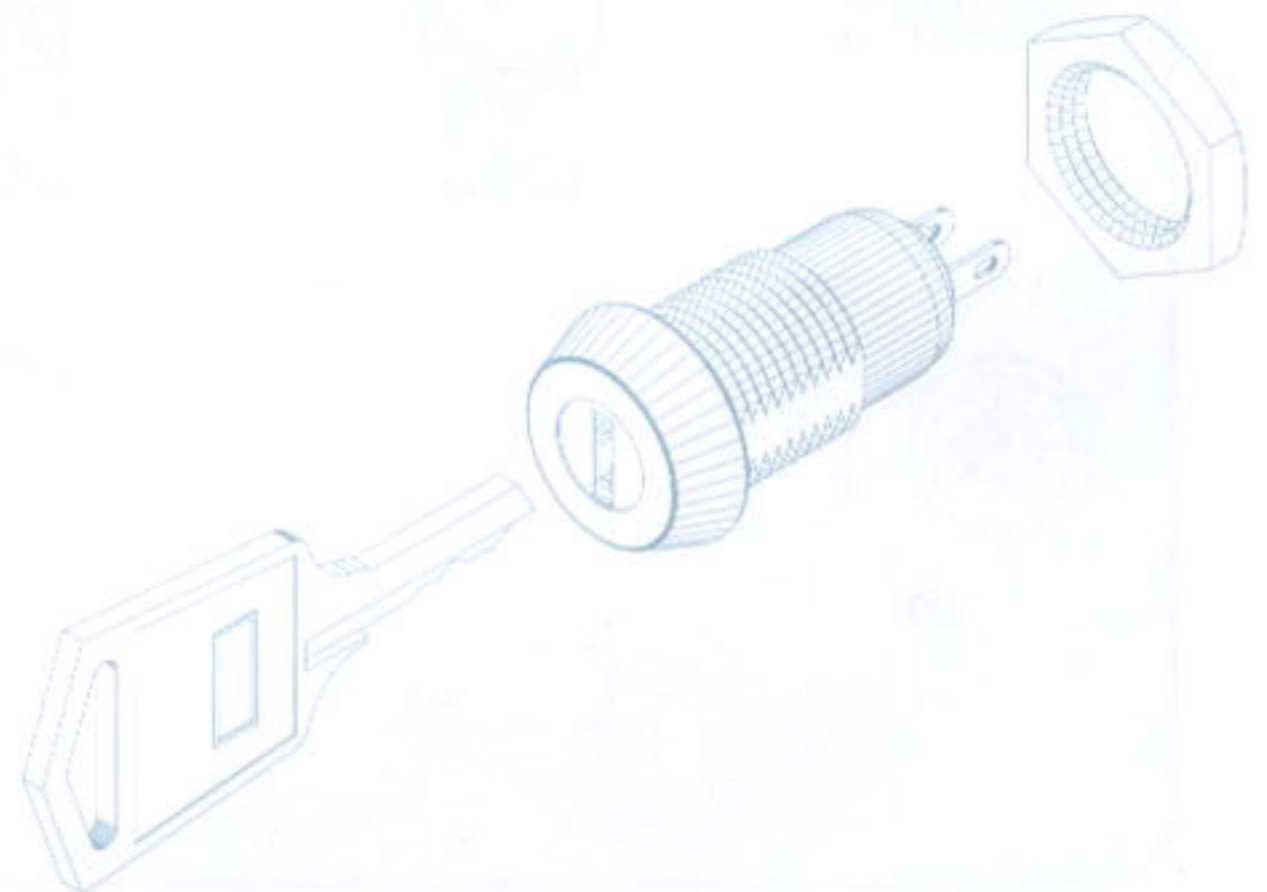
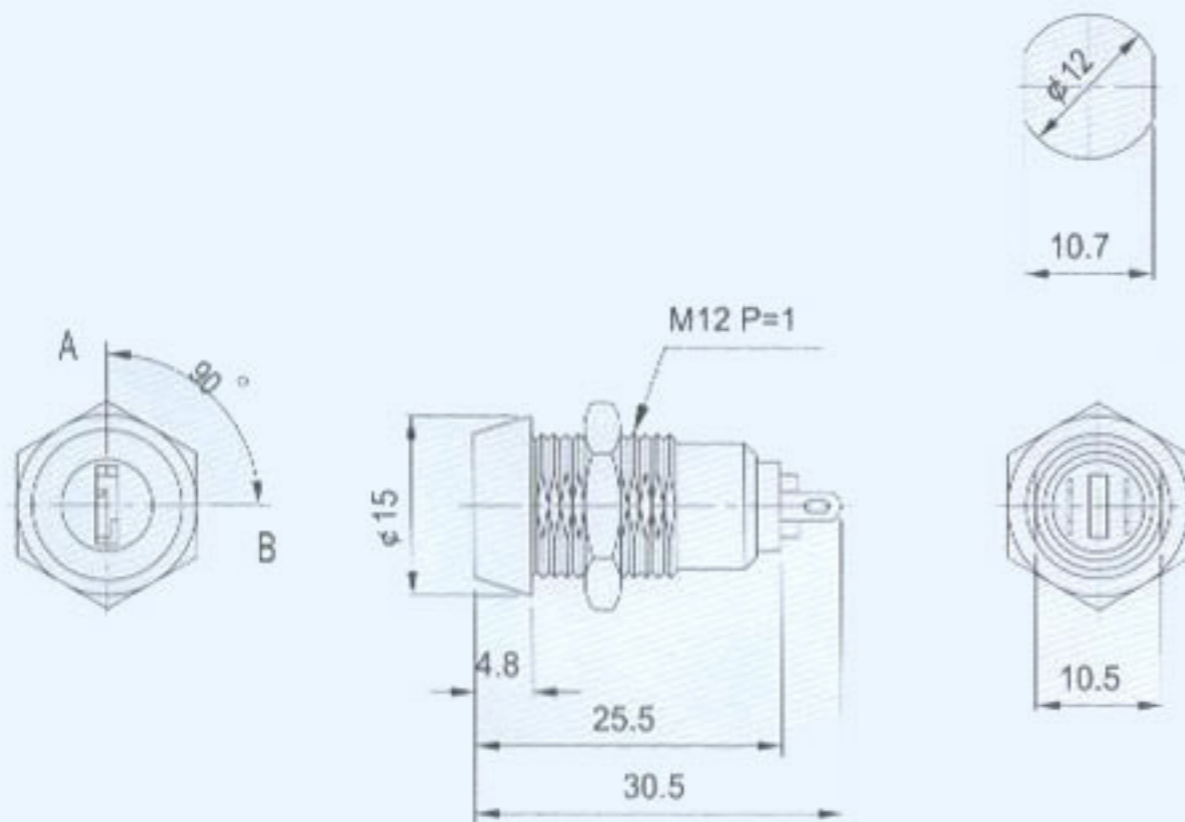


DESCRIPTION

- . Zinc alloy die cast housing and plastic cylinder.
- . Stainless steel capped bezel.
- . Bright chrome plated standard.
- . 4 disc tumbler mechanism.
- . Brass keys, nickel plated.
- . Key withdrawals in both positions only.
- . Silver plated contacts and terminals.
- . S109BA key with plastic cover.
- . 2 position (off-on) 2 terminals.
- . Hex nut mounted.
- . All keyed alike or 20 key combinations standard.
- . 20 combinations available.

Unit: mm

Recommended hole size



○ -OFF POSITION

■ -INDICATES KEY-PULL

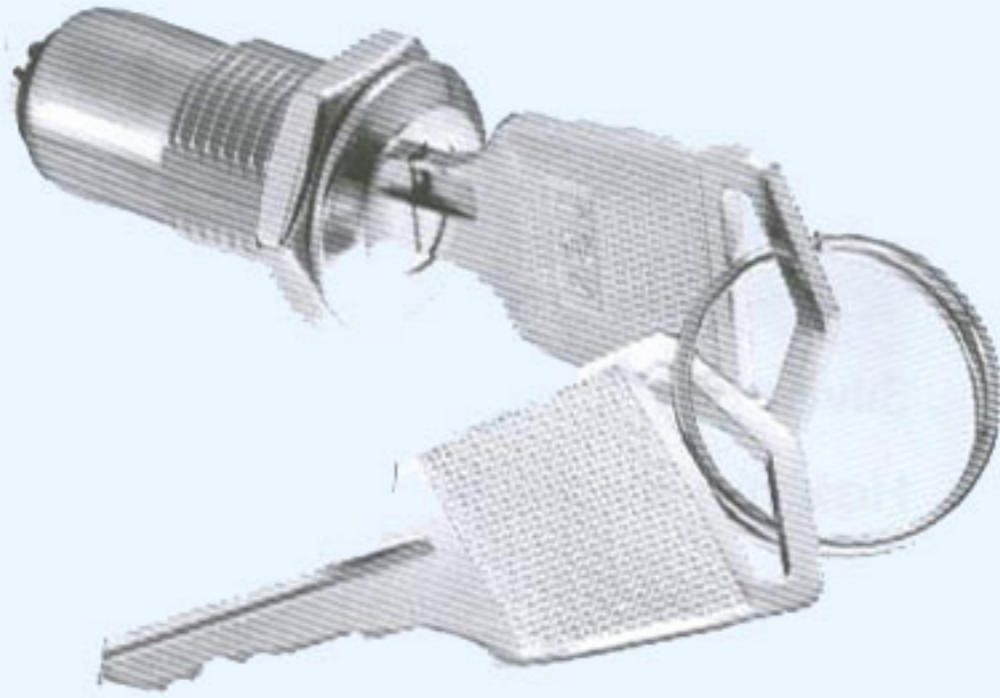
● -INDICATES NO KEY-PULL



Fig.1

Fig No	Lock Number	Pole	Positions	Terminals	Key Pulls	Turn	↑	→	Type
1	S109B-2	1	2	2	2	90°	Off	On	SPST

S1091B

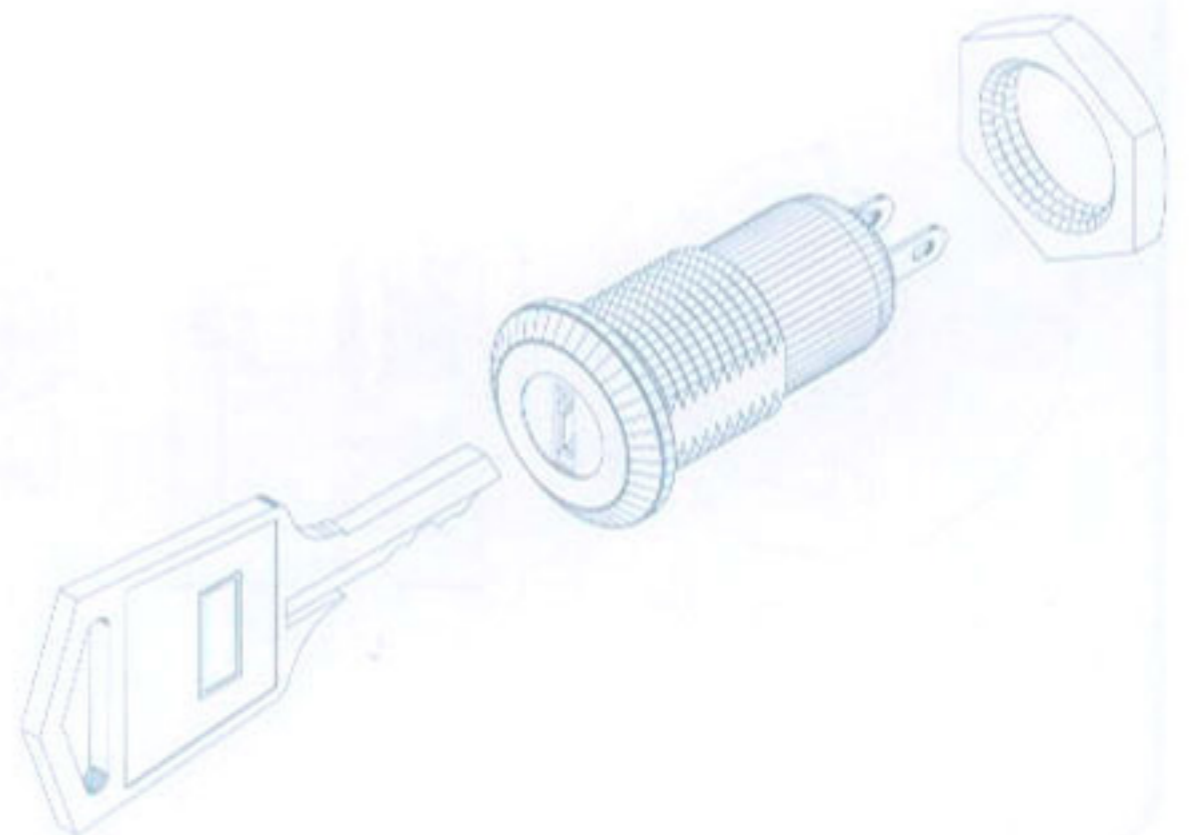
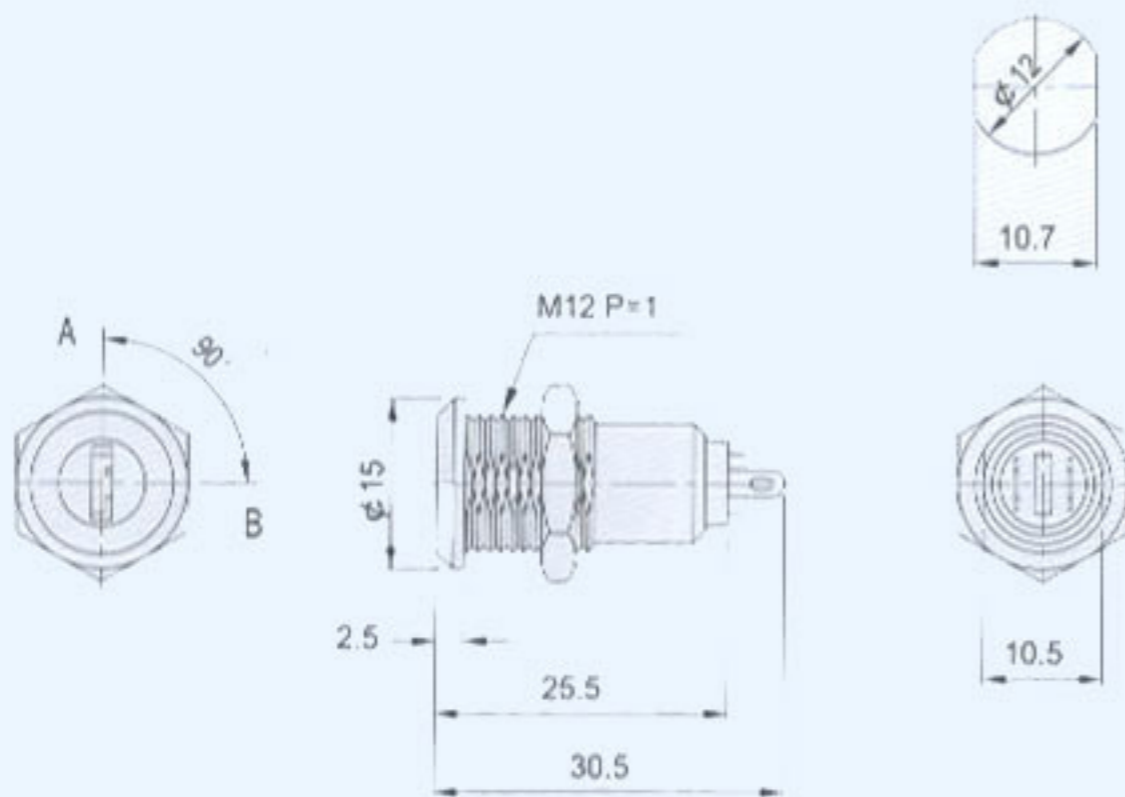


DESCRIPTION

- . Zinc alloy die cast housing and plastic cylinder.
- . Stainless steel capped bezel.
- . Bright chrome plated standard.
- . 4 disc tumbler mechanism.
- . Brass keys, nickel plated.
- . Key may be withdrawn in one or both positions.
- . Silver plated contacts and terminals.
- . S1091BA key with plastic cover.
- . 2 position (off-on) 2 terminals.
- . Hex nut mounted.
- . All keyed alike or 20 combinations standard.
- . 20 combinations available.

Unit: mm

Recommended hole size



- -OFF POSITION
- -INDICATES KEY-PULL
- -INDICATES NO KEY-PULL

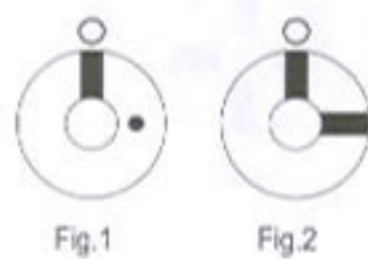
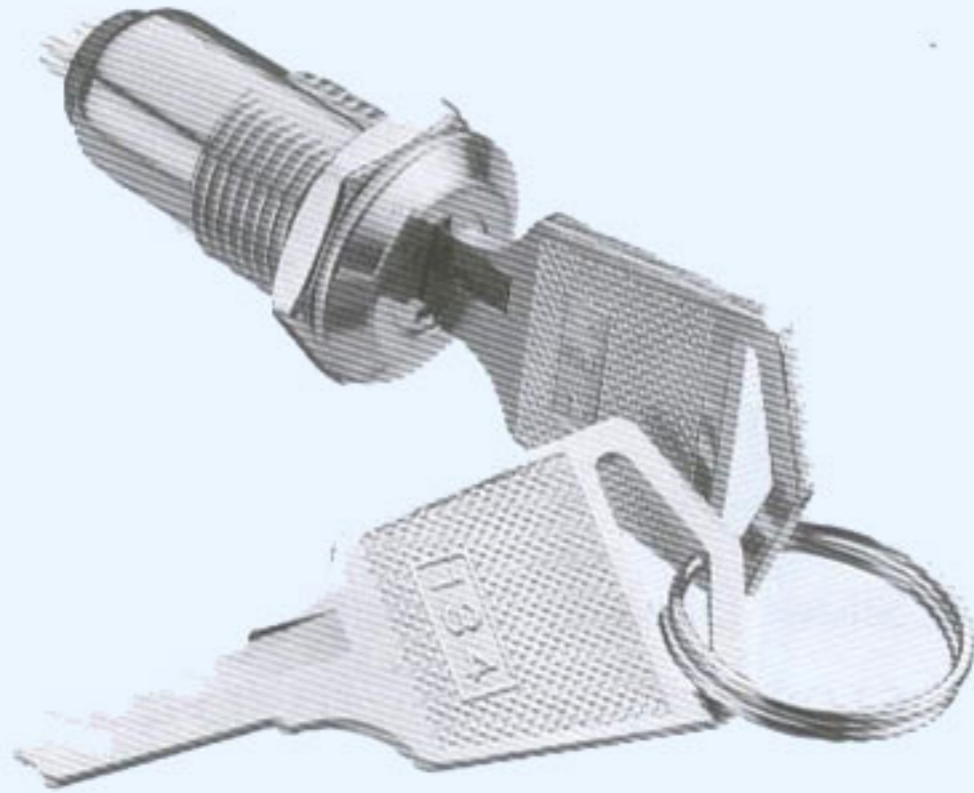


Fig No	Lock Number	Pole	Positions	Terminals	Key Pulls	Turn	↑	→	Type
1	S1091B-1	1	2	2	1	90°	Off	On	SPST
2	S1091B-2	1	2	2	2	90°	Off	On	SPST

S1231 series

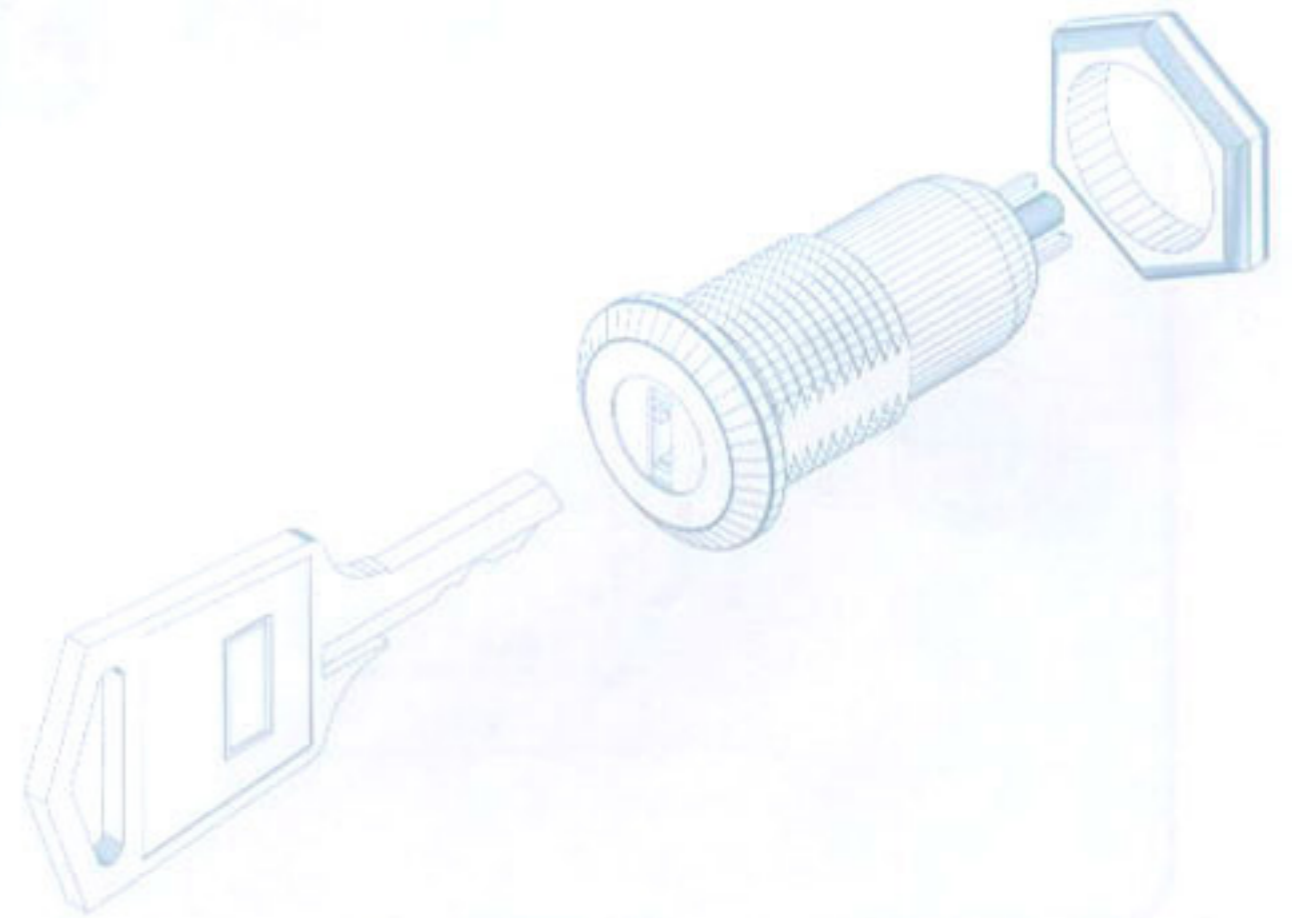
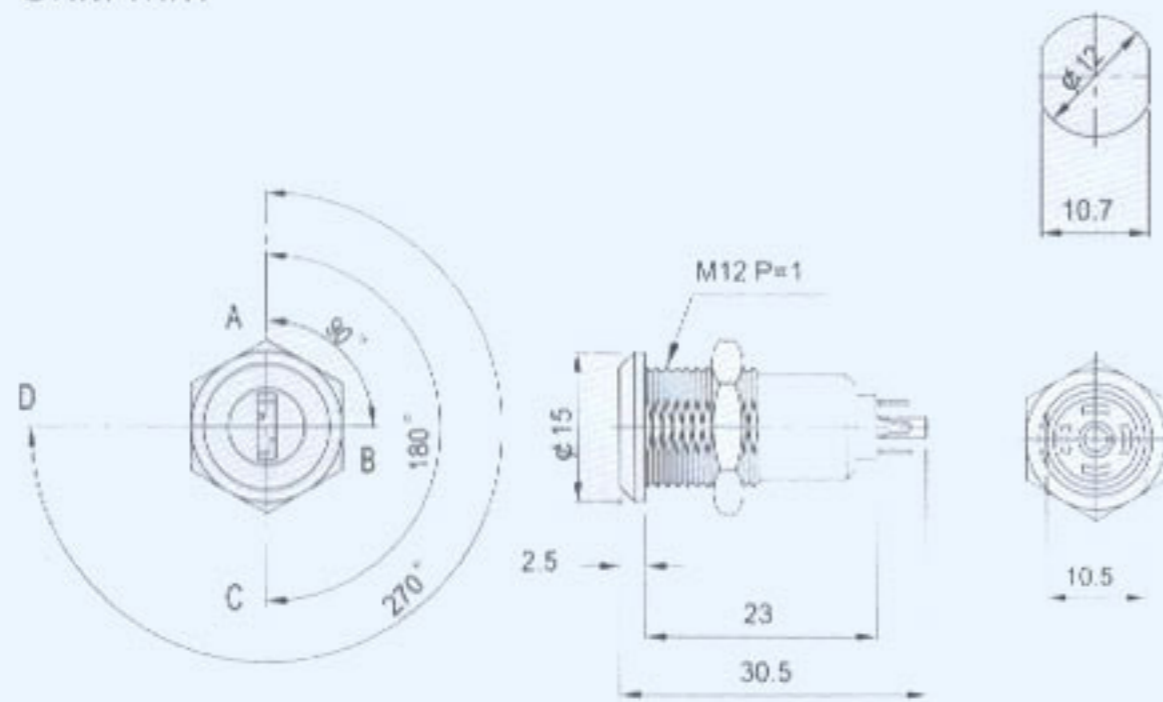


DESCRIPTION

- . Zinc alloy die cast housing and plastic cylinder.
- . Stainless steel capped bezel.
- . Bright chrome plated standard.
- . 4 disc tumbler mechanism.
- . Brass keys, nickel plated.
- . Various key withdrawals available.
- . Silver plated contacts and terminals.
- . Hex nut mounted.
- . All keyed alike or 20 combinations standard.
- . 20 combinations available.

Unit: mm

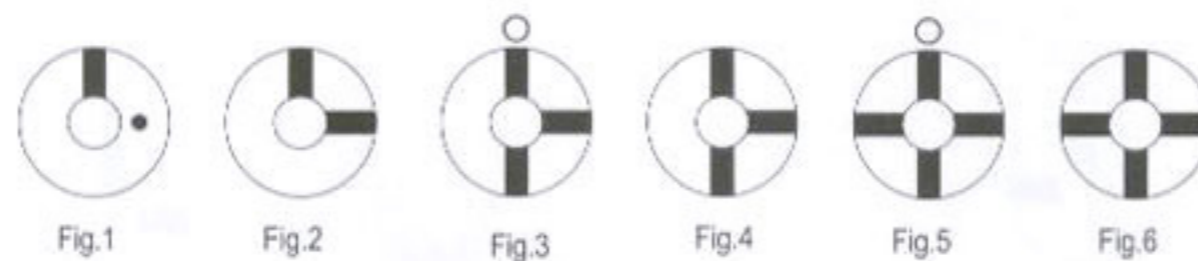
Recommended hole size



○ -OFF POSITION

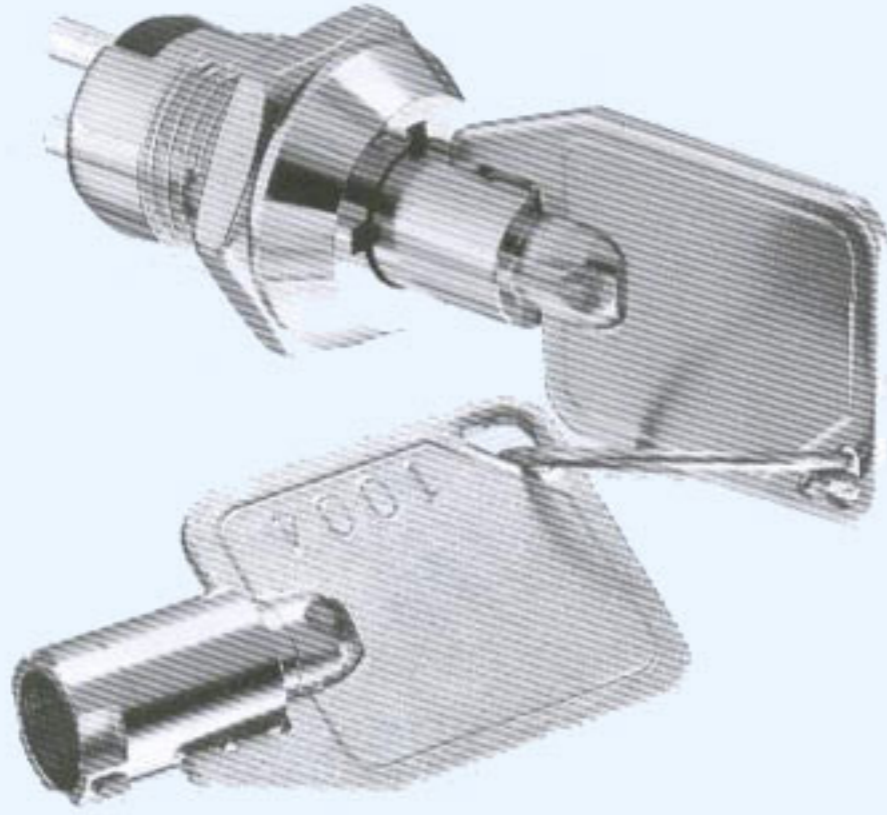
■ -INDICATES KEY-PULL

● -INDICATES NO KEY-PULL



FigNo	LockNumber	Pole	Positions	Terminals	KeyPulls	Turn	↑	→	↓	←	Type
1	S1231	1	2	3	1	90°	On	On			SPDT
2	S1232	1	2	3	2	90°	On	On			SPDT
3	S1333	1	3	3	3	180°	Off	On	On		SPDT
4	S1343	1	3	4	3	180°	On	On	On		SP3T
5	S1444	1	4	4	4	270°	Off	On	On	On	SP3T
6	S1454	1	4	5	4	270°	On	On	On	On	SP4T

S126 S146

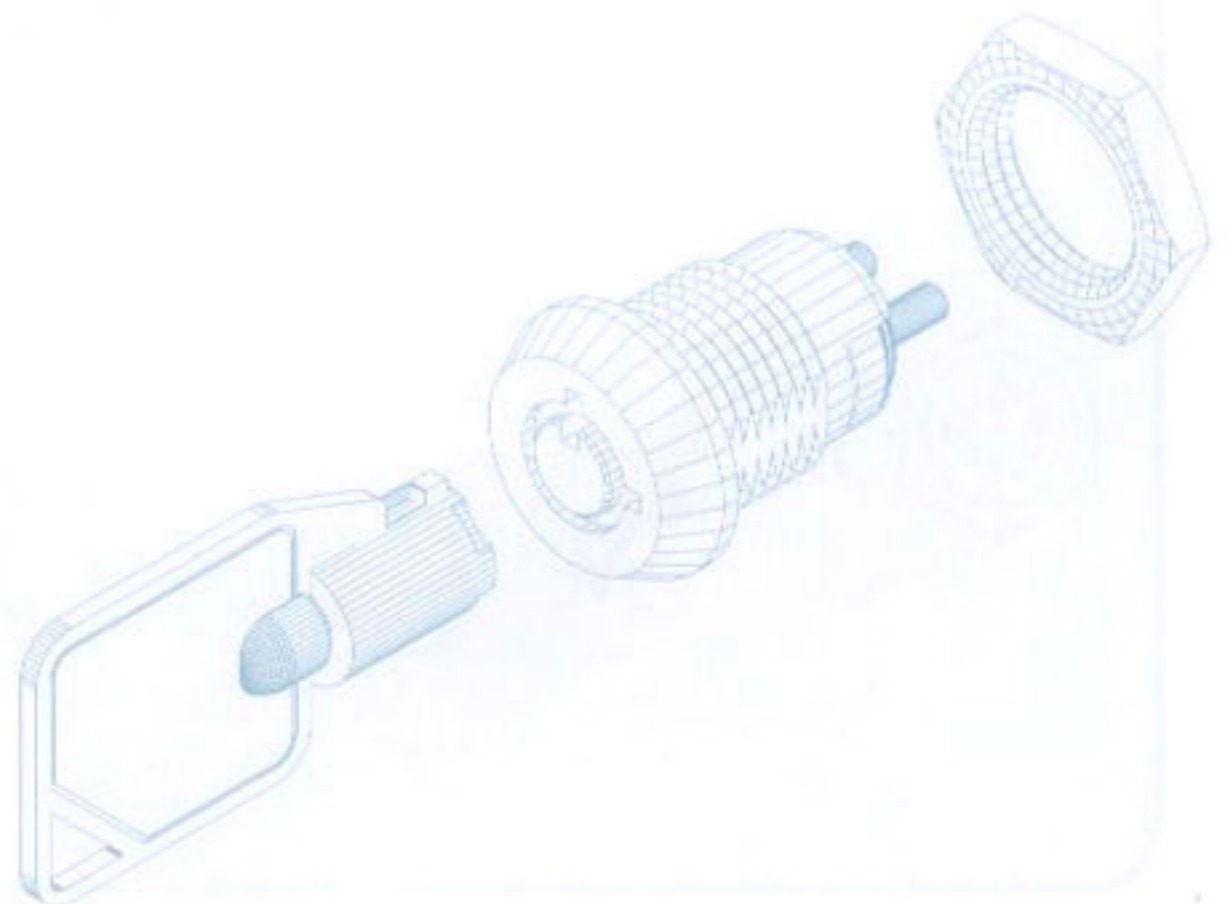
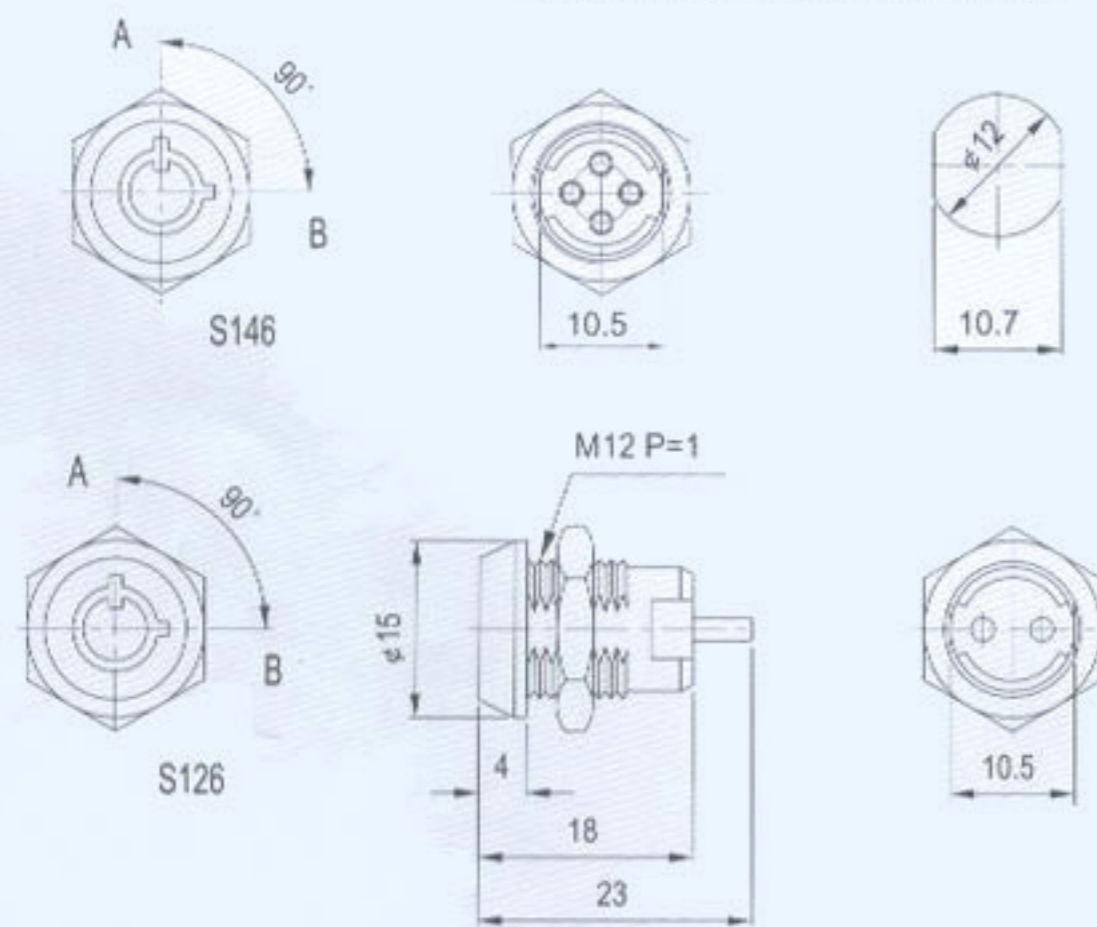


DESCRIPTION

- . Zinc alloy die cast housing and cylinder.
- . Bright chrome plated standard.
- . 4 pin tumbler mechanism.
- . Steel made tubular keys, nickel plated.
- . Key may be withdrawn in one or both positions.
- . Silver plated contacts and terminals.
- . S126 2 position (off-on) 2 terminals.
- . S146 2 position (on-on) 4 terminals.
- . Hex nut mounted.
- . All keyed alike or one combination per 100pcs standard.
- . 200 combinations available.

Unit: mm

Recommended hole size



○ -OFF POSITION

■ -INDICATES KEY-PULL

● -INDICATES NO KEY-PULL

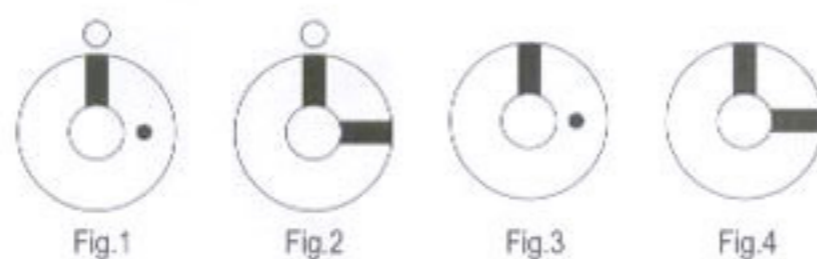


Fig No	Lock Number	Pole	Positions	Terminals	Key Pulls	Turn	↑	→	Type
1	S126-1	1	2	2	1	90°	Off	On	SPST
2	S126-2	1	2	2	2	90°	Off	On	SPST
3	S146-1	1	2	4	1	90°	On	On	SPDT
4	S146-2	1	2	4	2	90°	On	On	SPDT