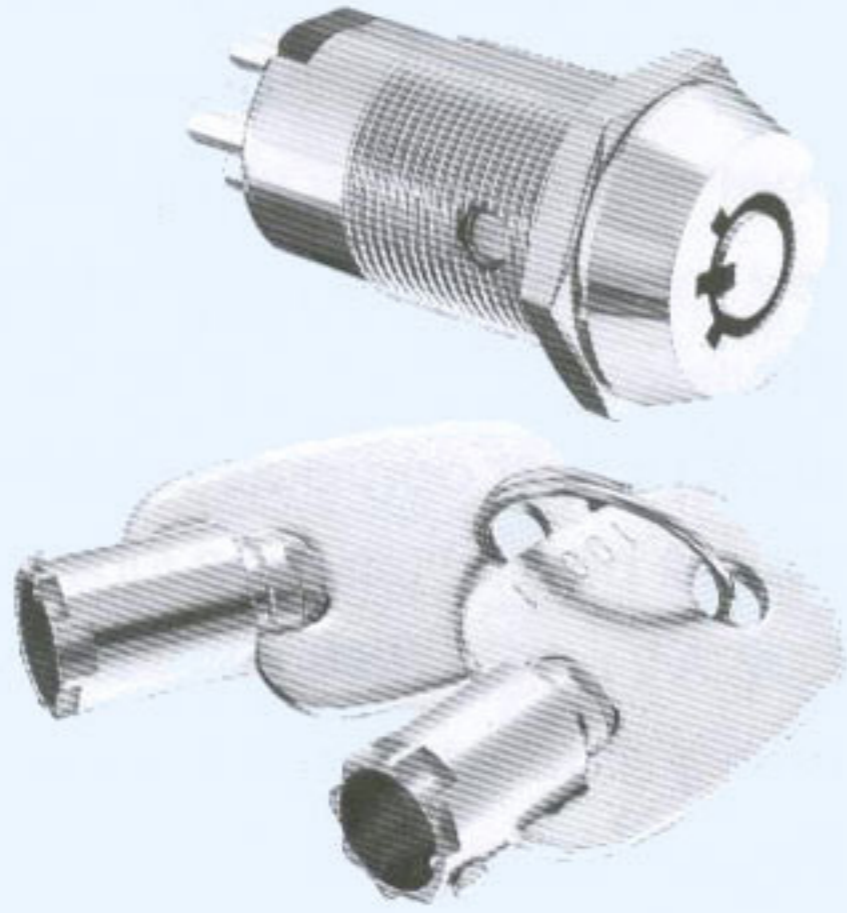


FULL SIZE LARGE TUBULAR SWITCH LOCK

S202ZB
S202ZC

S202ZD
S202ZDA

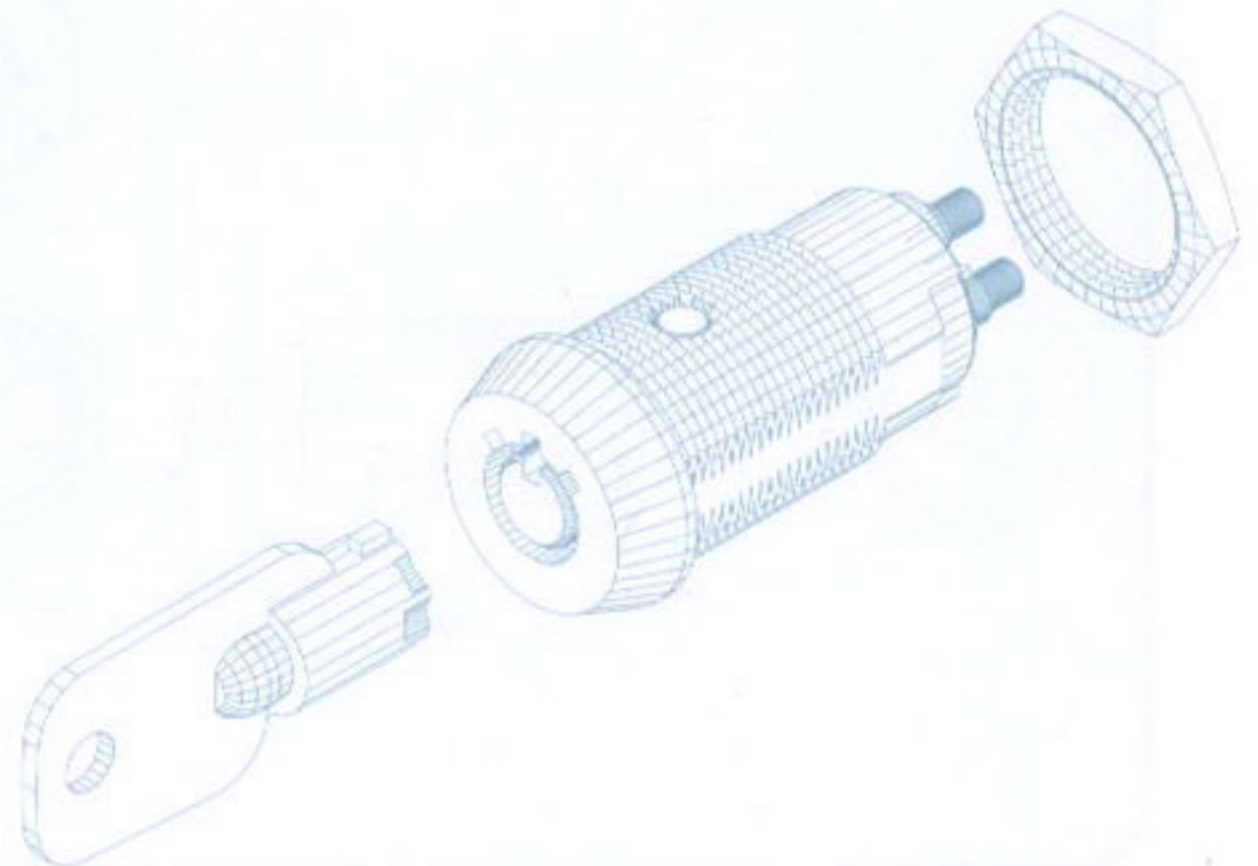
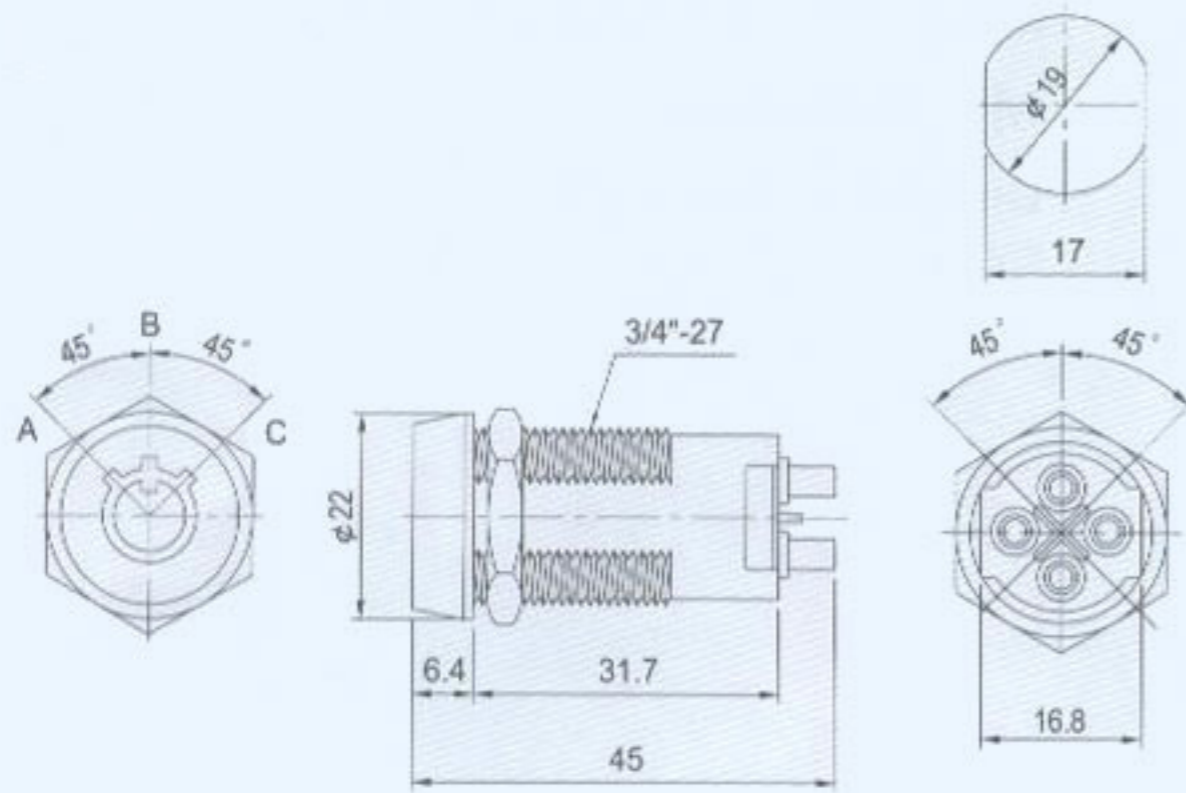


DESCRIPTION

- . Zinc alloy die cast housing and cylinder
- . Bright chrome plated standard.
- . 7 pin tumbler mechanism.
- . Steel made tubular keys, nickel plated.
- . Key may be withdrawn in one or both or three positions.
- . Silver plated contacts and terminals.
- . S202ZB 3 position (on-off-on) 4 terminals.
- . S202ZC 3 position (off-on-on) 4 terminals.
- . S202ZD 2 position (on-on) 4 terminals.
- . S202ZDA 2 position (on-on) 4 terminals, spring loaded for momentary contact.
- . Hex nut mounted.
- . All keyed alike or one combination per 100pcs standard.
- . 10000 combinations available.

Unit: mm

Recommended hole size



○ -OFF POSITION

■ -INDICATES KEY-PULL

● -INDICATES NO KEY-PULL



Fig.1



Fig.2



Fig.3

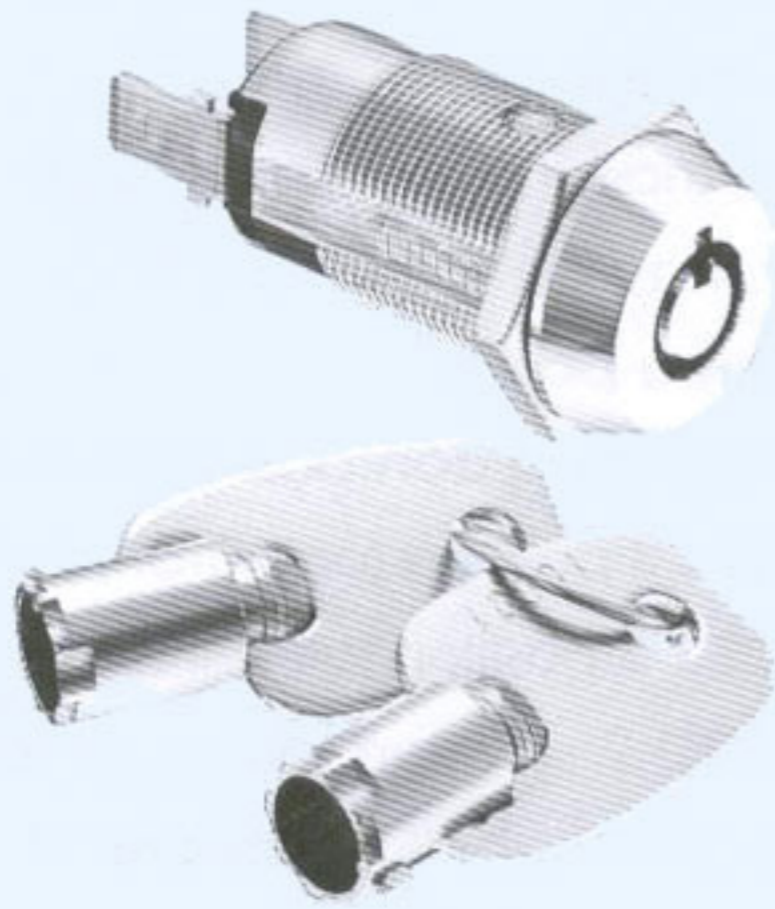


Fig.4

FigNo	LockNumber	Pole	Positions	Terminals	KeyPulls	Turn	↺	↑	↗	→	Type
1	S202ZB	1	3	4	3	45°-0°-45°	On	Off	On		SPDT
2	S202ZC	1	3	4	3	45°-0°-90°	Off	On		On	SPDT
3	S202ZD	1	2	4	2	90°		On		On	SPDT
4	S202ZDA	1	2	4	1	90°		On		(On)	SPDT

() : Momentary Contact

S212 S212ZA



DESCRIPTION

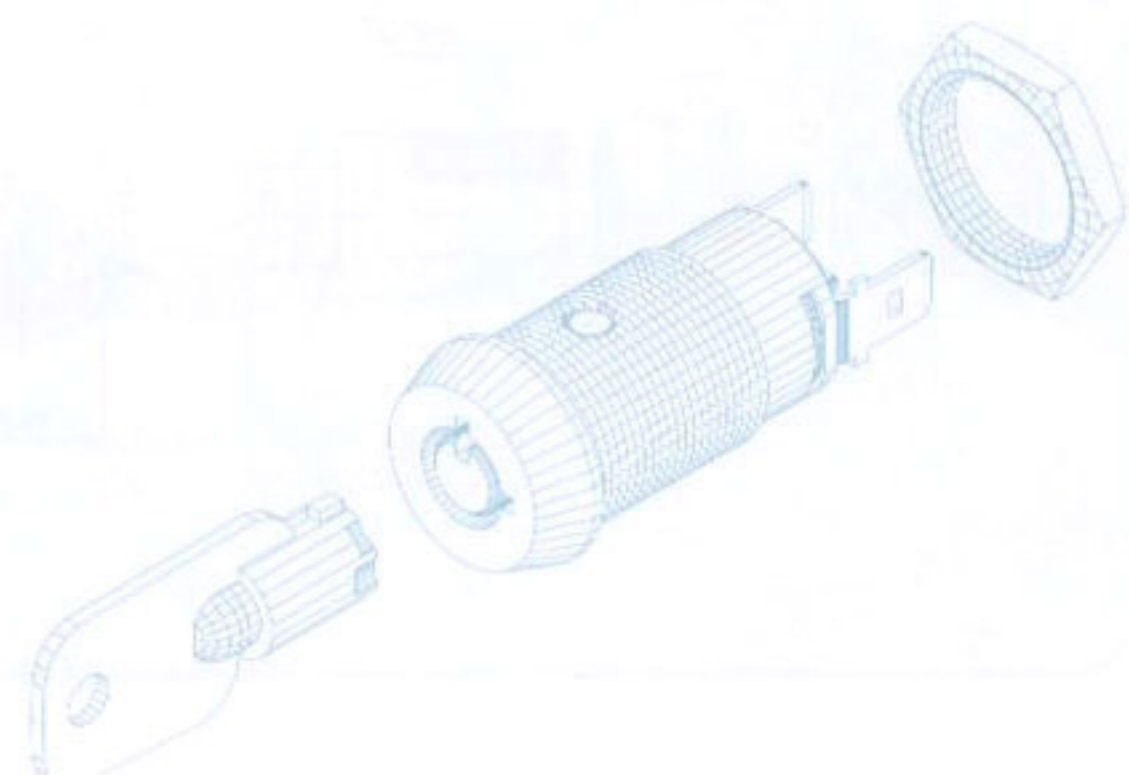
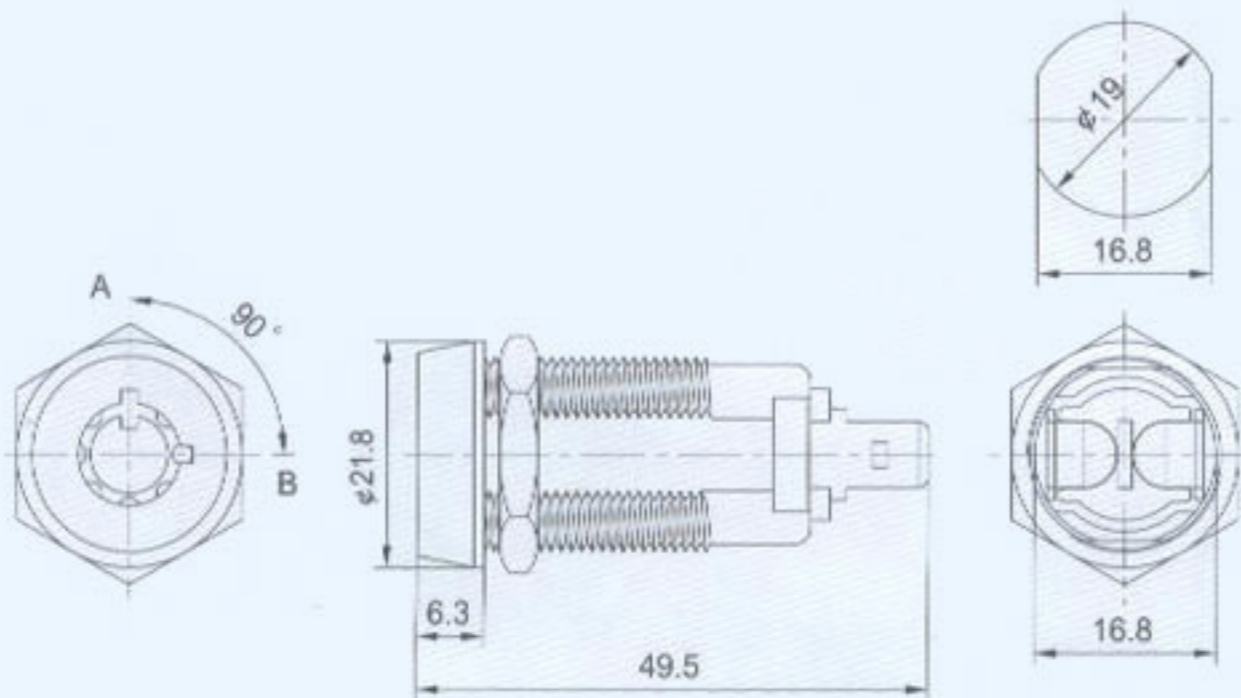
- . Zinc alloy die cast housing and cylinder.
- . Bright chrome plated standard.
- . 7 pin tumbler mechanism.
- . Steel made tubular keys, nickel plated.
- . Key may be withdrawn in one or both positions.
- . Silver plated contacts and terminals.
- . S202Z 2 position (off-on) 2 tubular terminals.
- . S202ZA 2 position (off-on) 2 tubular terminals, spring loaded for momentary contact.
- . Hex nut mounted.
- . All keyed alike or one combination per 100pcs standard.
- . 10000 combinations available.

SPECIFICATION

- . Contact Rating: 4A 125VAC, 2A 250VAC.
- . Contact resistance: 10 Milli - Ohms Max.
- . Insulation Resistance: 500 Meg - Ohms Min.(500VDC)
- . Dielectric Strength: 1500VAC - 1 Minute.

Unit: mm

Recommended hole size



○ -OFF POSITION

■ -INDICATES KEY-PULL

● -INDICATES NO KEY-PULL



Fig.1

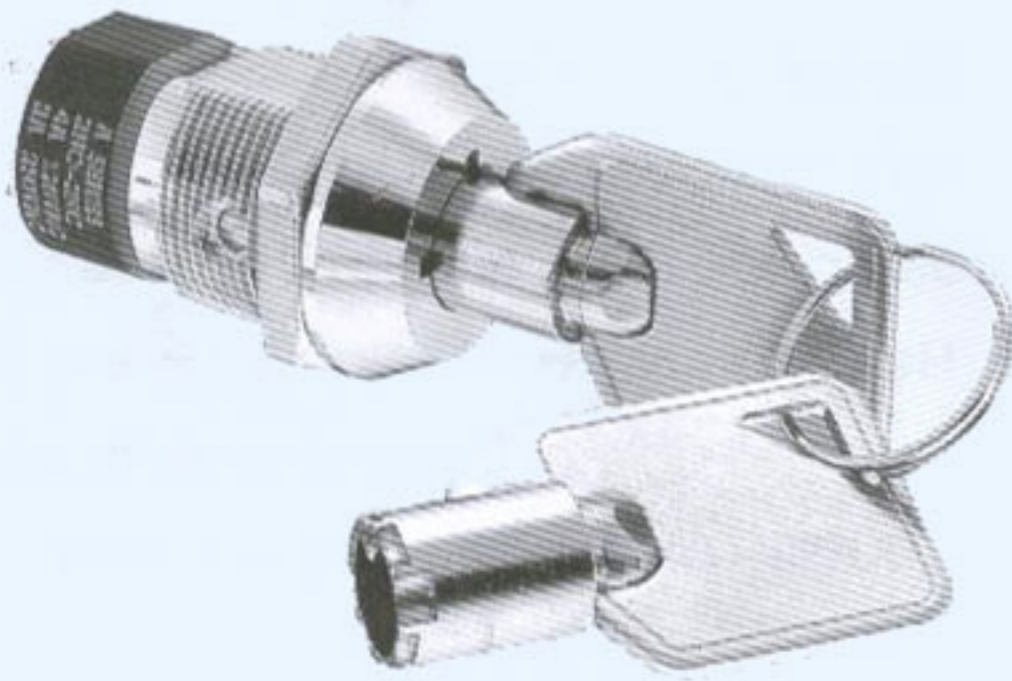


Fig.2

FigNo	LockNumber	Pole	Positions	Terminal	KeyPulls	Turn	↑	→	Type
1	S212Z-1	1	2	2	1	90°	Off	On	SPST
2	S212Z-2	1	2	2	2	90°	Off	On	SPST
1	S212ZA	1	2	2	1	90°	Off	(On)	SPST

():Momentary Contact

S206A

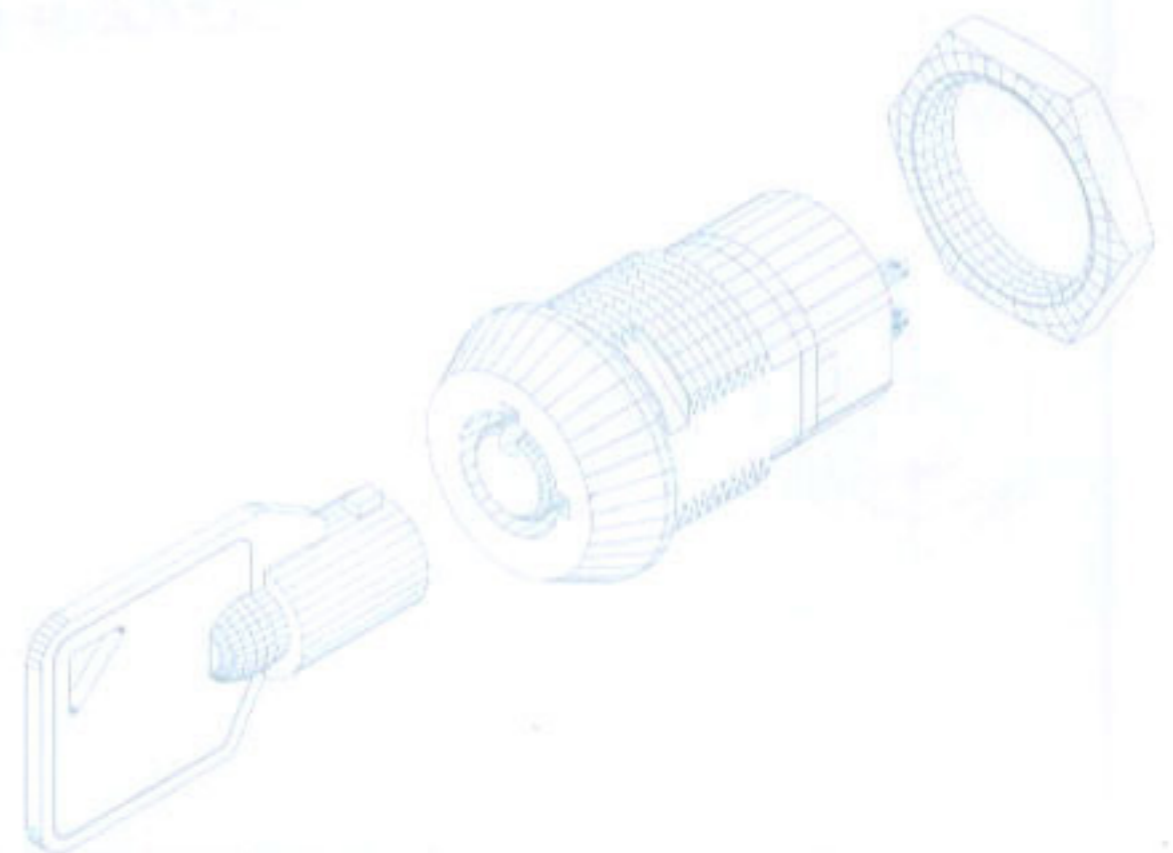
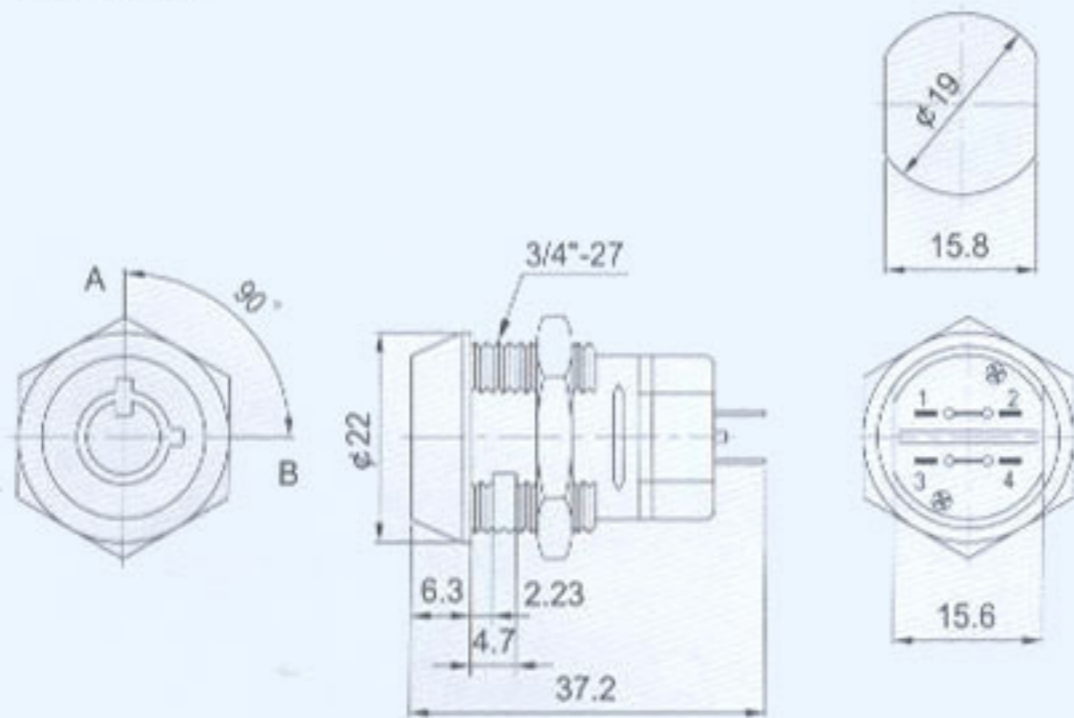


DESCRIPTION

- . Zinc alloy die cast housing and cylinder.
- . Bright chrome plated standard.
- . 7 pin tumbler mechanism.
- . Steel made tubular keys, nickel plated.
- . Key may be withdrawn in one or both positions.
- . Silver plated contacts and terminals.
- . 2 position (off-on) 4 terminals. (2NO 2NC)
- . Hex nut or speed clip mounted.
- . All keyed alike or one combination per 100pcs standard.
- . 10000 combinations available.

Unit: mm

Recommended hole size



○ -OFF POSITION

■ -INDICATES KEY-PULL

● -INDICATES NO KEY-PULL



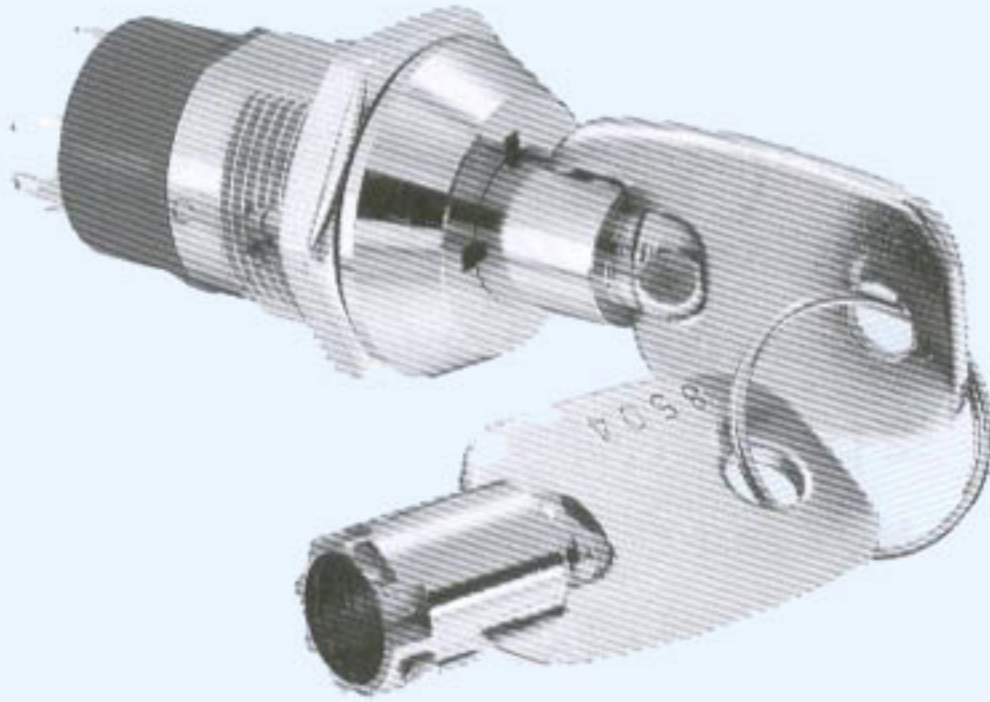
Fig.1



Fig.2

Fig No	Lock Number	Pole	Positions	Terminals	Key Pulls	Turn	↑	→	Type
1	S206A-1	2	2	4	1	90°	Off	On	DPST
2	S206A-2	2	2	4	2	90°	Off	On	DPST

S218 series



DESCRIPTION

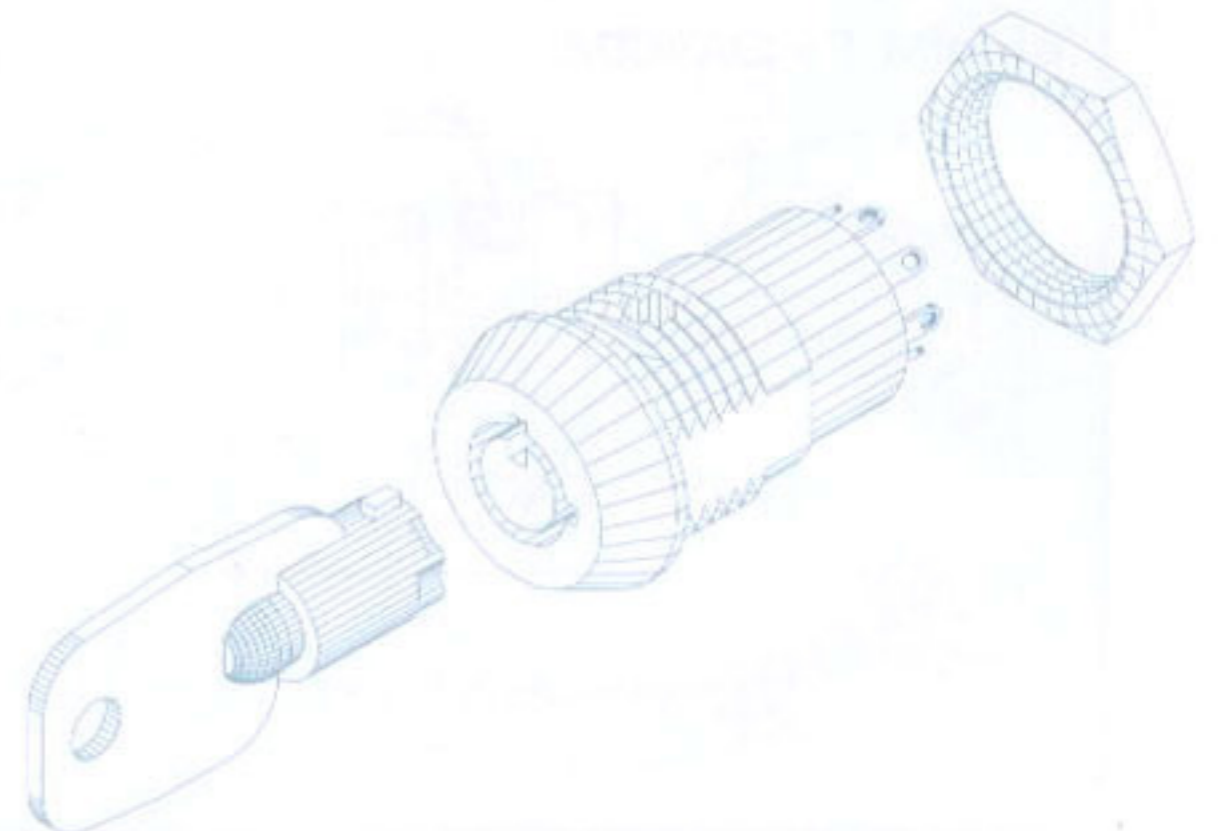
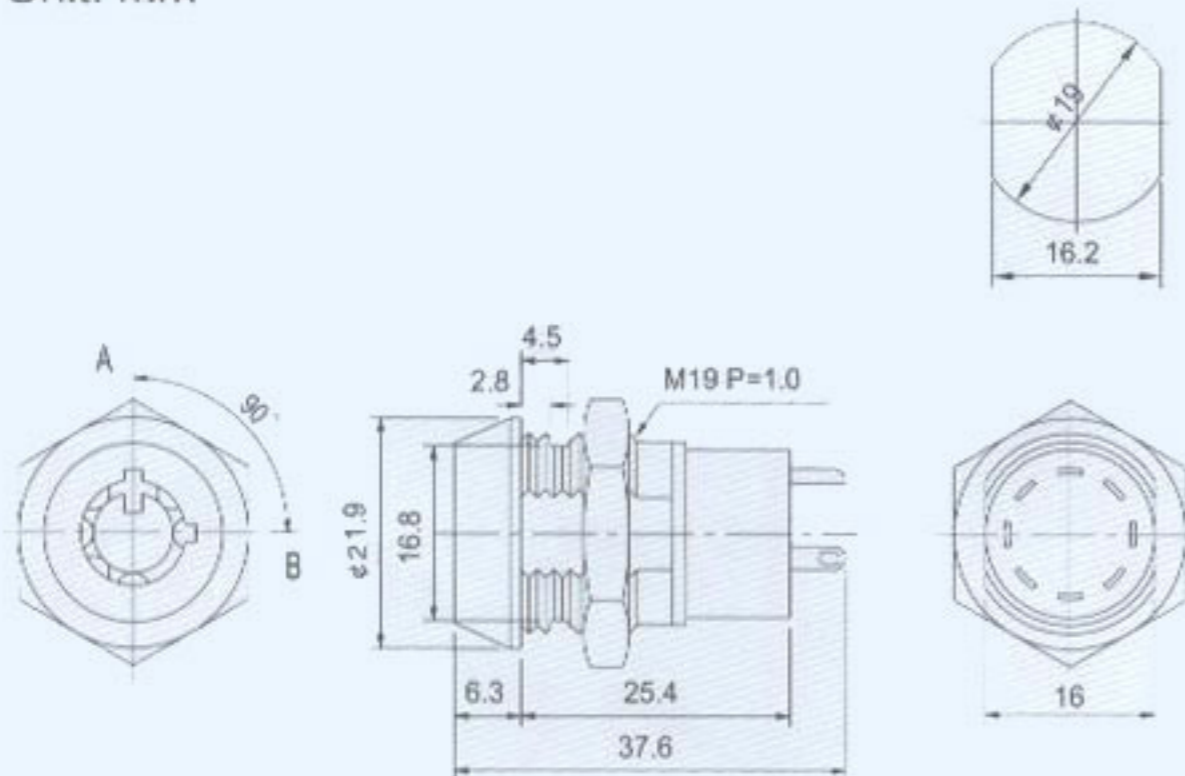
- . Zinc alloy die cast housing and cylinder.
- . Bright chrome plated standard.
- . 7 pin tumbler mechanism.
- . Steel made tubular keys, nickel plated.
- . Golden plated contacts and terminals.
- . See page 27 for model / switch & function.
- . Hex nut or speed clip mounted.
- . All keyed alike or 25 combinations standard.
- . 10000 combinations available.

SPECIFICATION

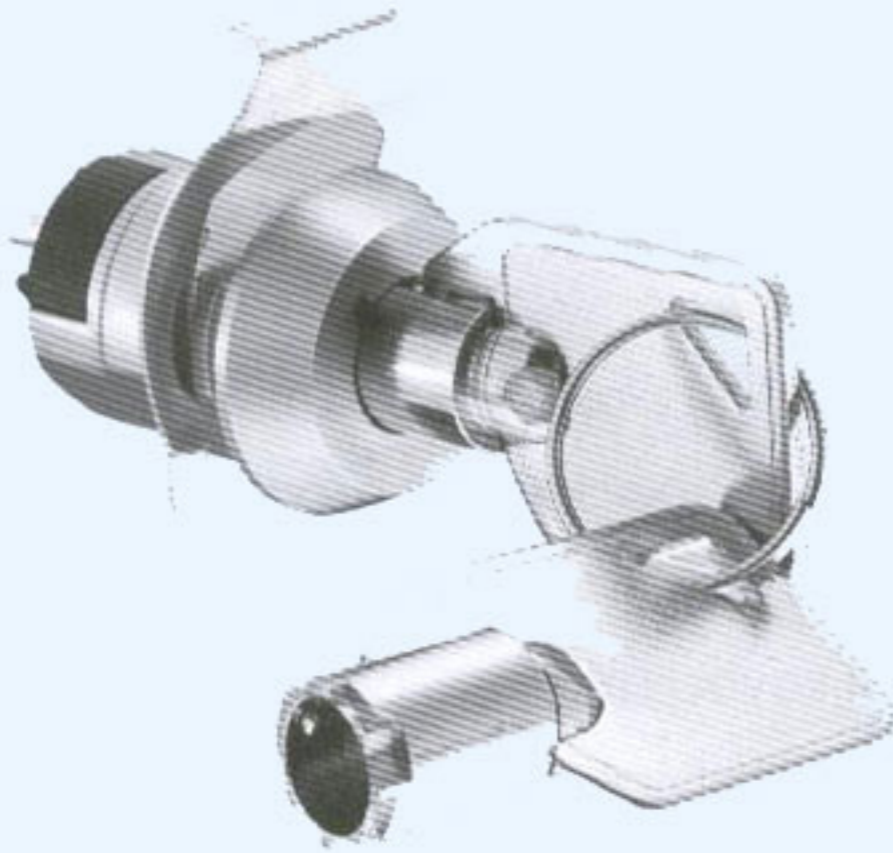
- . Contact Rating: 4A 125VAC, 2A 250VAC.
- . Contact Resistance: 10 Milli - Ohms Max.
- . Insulation Resistance: 200Meg - Ohms Min. (500VDC)
- . Dielectric Strength: 1000 VAC - 1 Minute.

Unit: mm

Recommended hole size



S502 S503 S504



DESCRIPTION

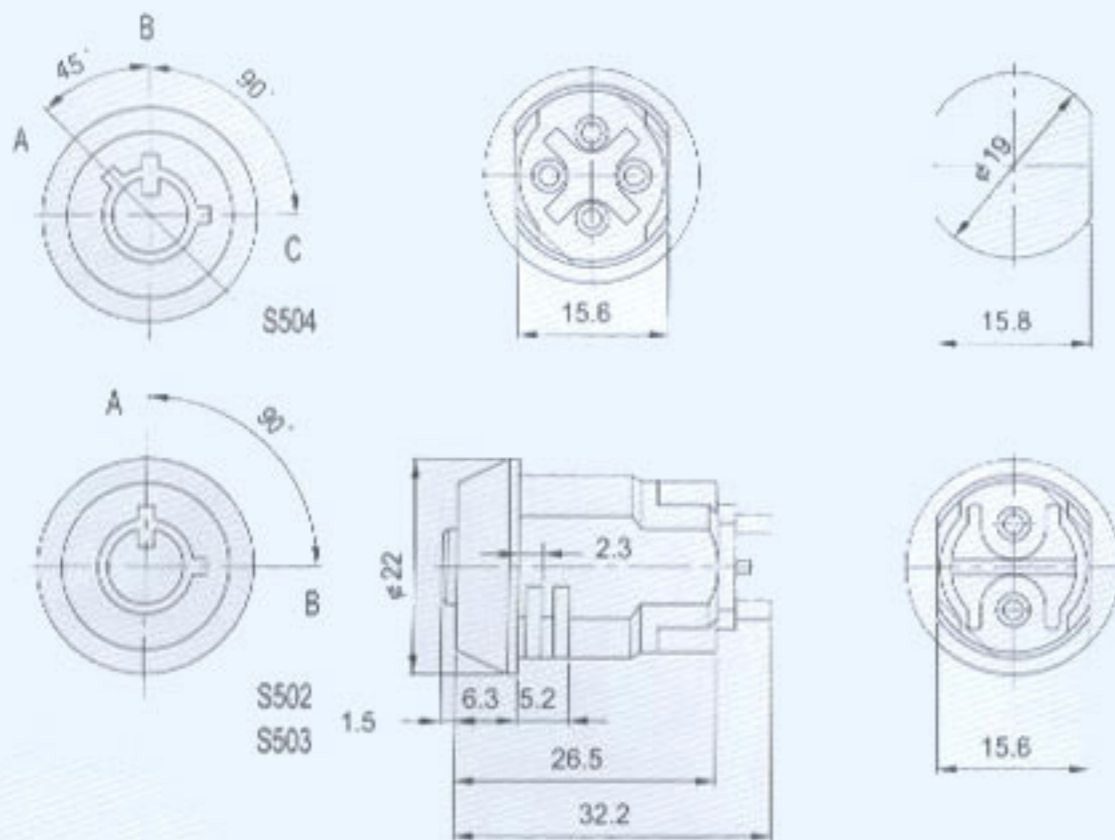
- . Zinc alloy die cast housing and cylinder.
- . Satin chrome plated standard.
- . 7 pin tumbler mechanism.
- . Steel made tubular keys, nickel plated.
- . Key may be withdrawn in both or three positions.
- . Silver plated contacts and terminals.
- . S502 2 position (off-on) 2 terminals.
- . S503 2 position (on-on) 4 terminals.
- . S504 3 position (off-on-on) 4 terminals.
- . Speed clip mounted.
- . All keyed alike or one combination per 100pcs standard.
- . 10000 combinations available.

SPECIFICATION

- . Contact Rating: 2A 125VAC, 1A 250VAC.
- . Contact resistance: 10 Milli - Ohms Max.
- . Insulation Resistance: 200 Meg - Ohms Min. (500VDC)
- . Dielectric Strength: 1000VAC - 1 Minute.

Unit: mm

Recommended hole size



○ -OFF POSITION

■ -INDICATES KEY-PULL

● -INDICATES NO KEY-PULL



Fig.1



Fig.2



Fig.3

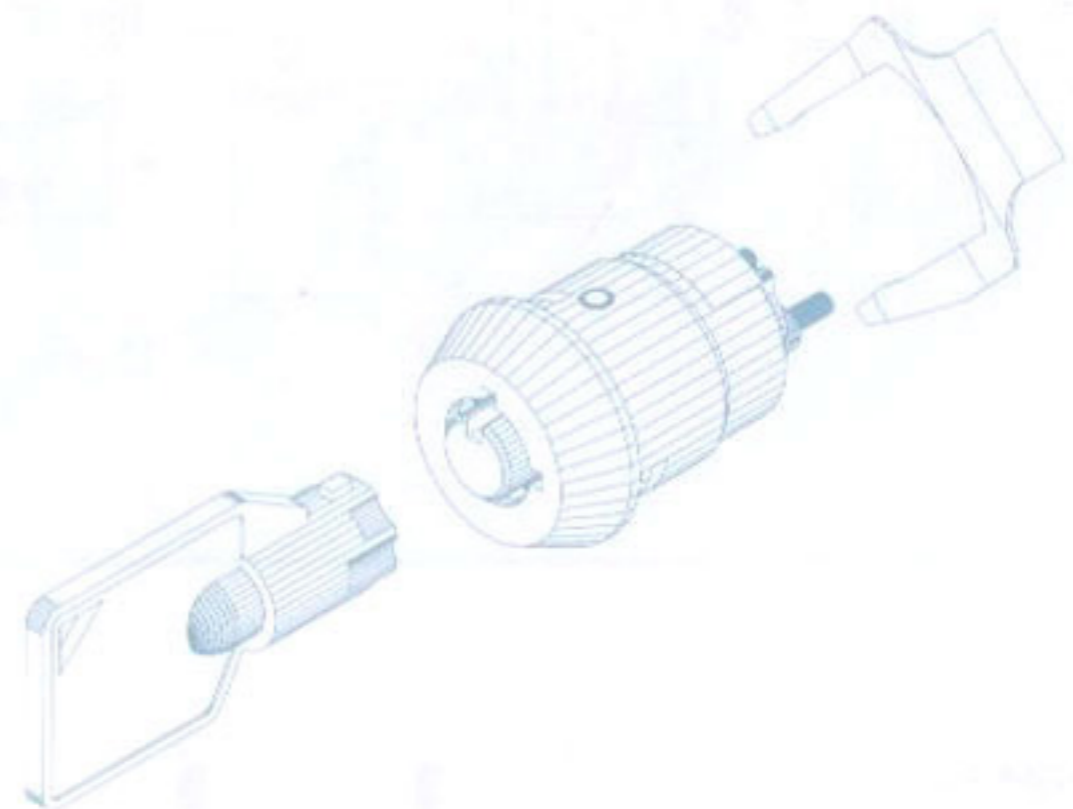


Fig No	Lock Number	Pole	Positions	Terminals	Key Pulls	Turn	↶	↑	↷	Type
1	S502	1	2	2	2	90°		Off	On	SPST
2	S503	1	2	4	2	90°		On	On	SPDT
3	S504	1	3	4	3	45°-0°-90°	Off	On	On	SPDT