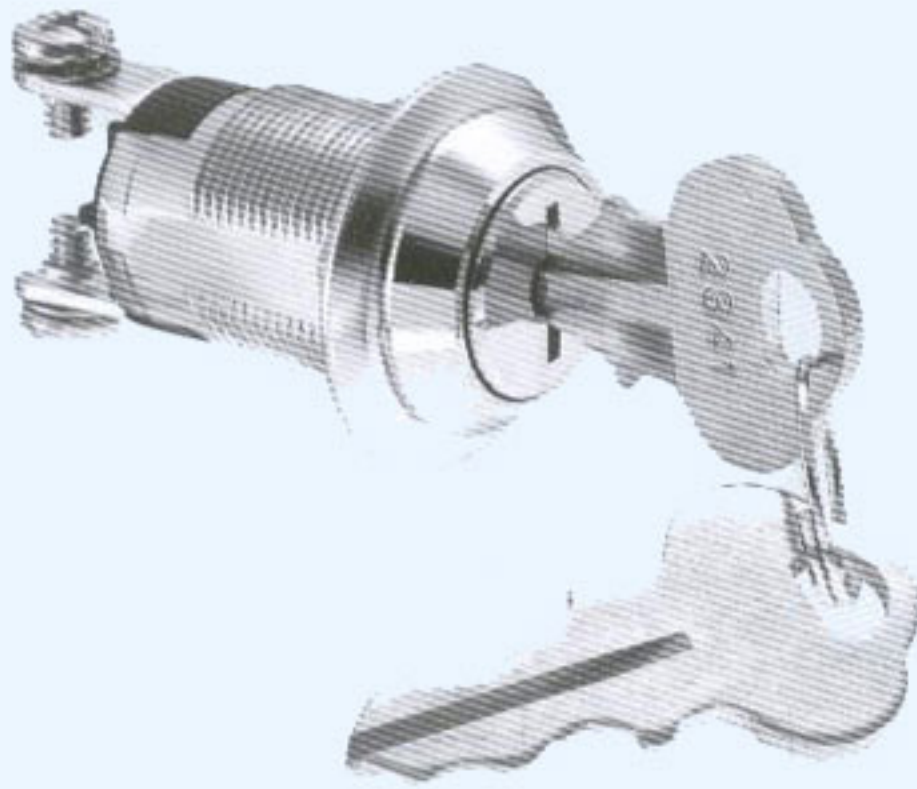


S203 S203M



DESCRIPTION

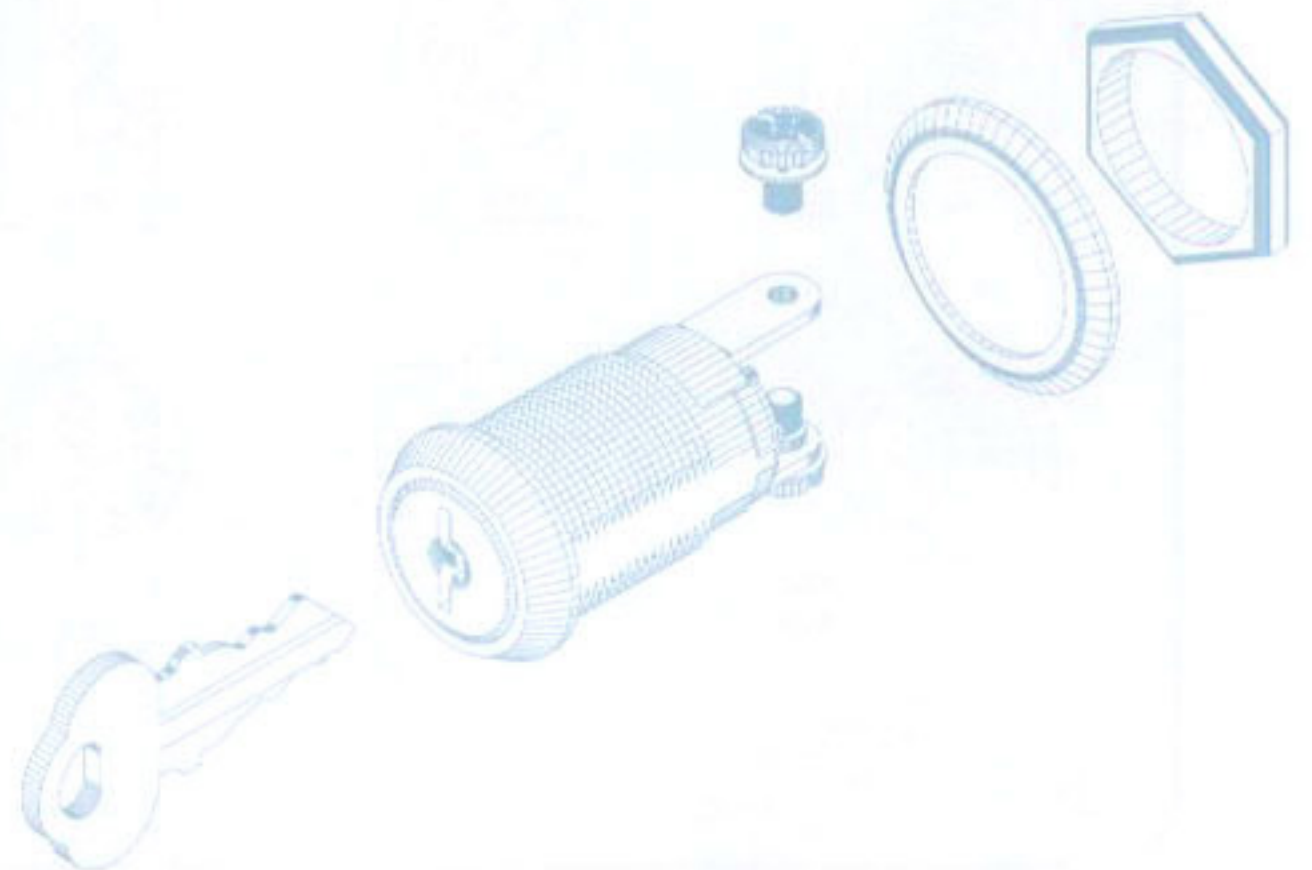
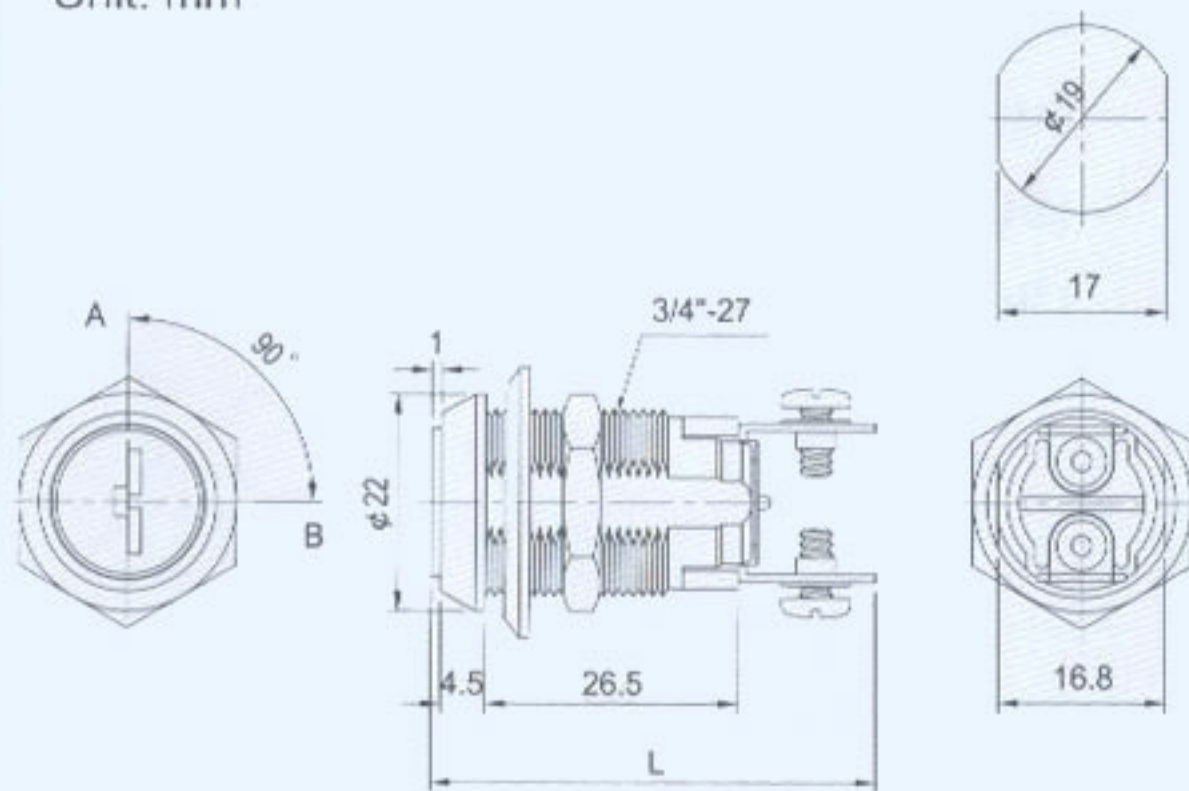
- . Zinc alloy die cast housing and cylinder.
- . Bright chrome plated standard.
- . 11 disc tumbler mechanism.
- . Reversible double-bitted brass keys
- . Key may be withdrawn in one or both positions.
- . S203 2 position (off-on) 2 screw terminals.
- . S203M 2 position (off-on) 2 screw terminals, spring loaded for momentary contact.
- . Hex nut mounted.
- . All keyed alike or 5 combinations standard.
- . 5 combinations available.

SPECIFICATION

- . Contact Rating: 4A 125VAC, 2A 250VAC.
- . Contact Resistance: 10 Milli-Ohms Max.
- . Insulation Resistance: 500 Meg-Ohms Min. (500VDC)
- . Dielectric Strength: 1500 VAC -1 Minute.

Unit: mm

Recommended hole size



○ -OFF POSITION

■ -INDICATES KEY-PULL

● -INDICATES NO KEY-PULL



Fig.1



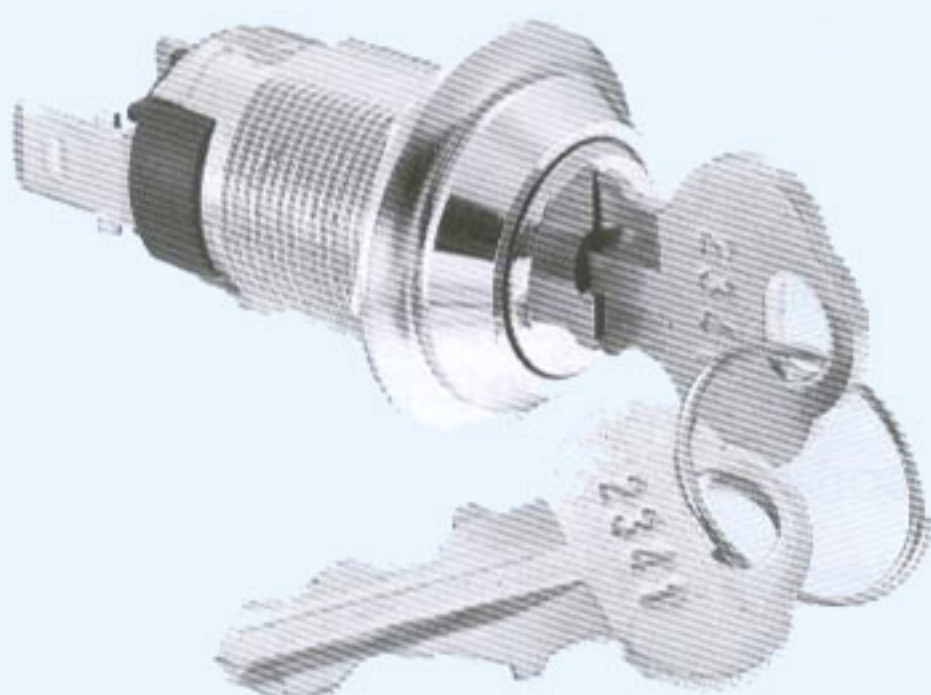
Fig.2

Fig No	Lock Number	Pole	Positions	Terminals	Key Pulls	Turn	⬆	➡	Type
1	S203-1	1	2	2	1	90°	Off	On	SPST
2	S203-2	1	2	2	2	90°	Off	On	SPST
1	S203M	1	2	2	1	90°	Off	(On)	SPST

Lock Number	L
S203	44.5
S203M	53.5

():Momentary Contact

S203A S203AM



DESCRIPTION

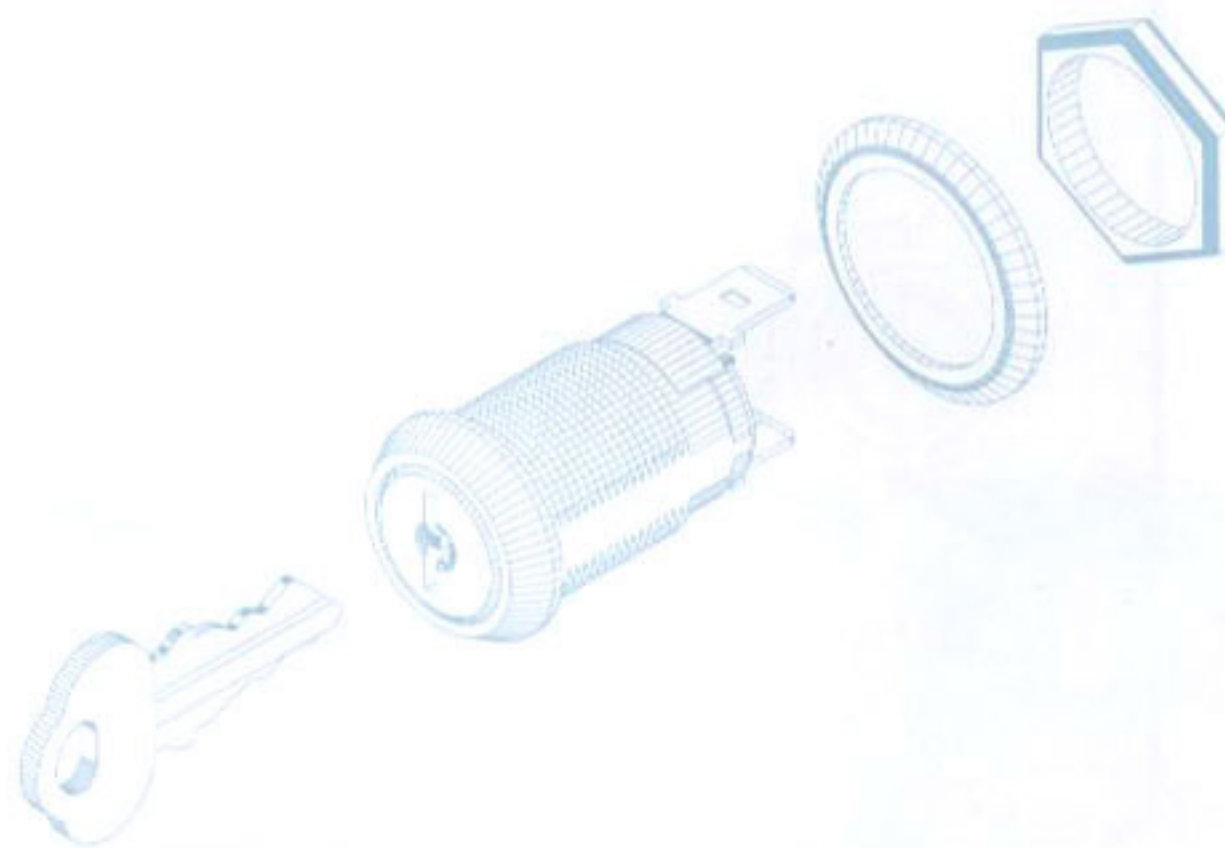
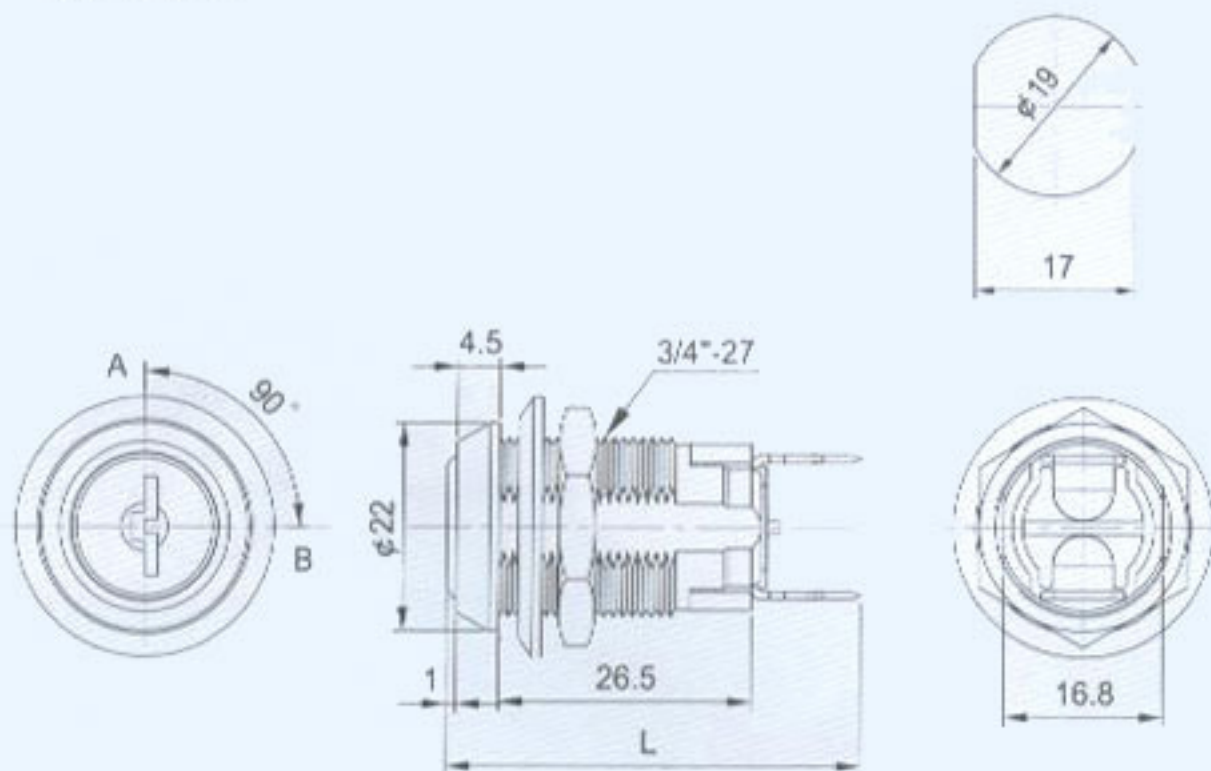
- . Zinc alloy die cast housing and cylinder.
- . Bright chrome plated standard.
- . 11 disc tumbler mechanism.
- . Reversible double-bitted brass keys
- . Key may be withdrawn in one or both positions.
- . S203A 2 position (off-on) 2 spade terminals.
- . S203AM 2 position (off-on) 2 spade terminals, spring loaded for momentary contact.
- . Hex nut mounted.
- . All keyed alike or 5 combinations standard.
- . 5 combinations available.

SPECIFICATION

- . Contact Rating: 4A 125VAC, 2A 250VAC.
- . Contact Resistance: 10 Milli-Ohms Max.
- . Insulation Resistance: 500 Meg-Ohms Min. (500VDC)
- . Dielectric Strength: 1500 VAC -1 Minute.

Unit: mm

Recommended hole size



○ -OFF POSITION

■ -INDICATES KEY-PULL

● -INDICATES NO KEY-PULL



Fig.1



Fig.2

Fig No	Lock Number	Pole	Positions	Terminals	Key Pulls	Turn	↑	→	Type
1	S203A-1	1	2	2	1	90°	Off	On	SPST
2	S203A-2	1	2	2	2	90°	Off	On	SPST
1	S203AM	1	2	2	1	90°	Off	(On)	SPST

Lock Number	L
S203A	43.4
S203AM	51.3

():Momentary Contact

S203B S203BM



DESCRIPTION

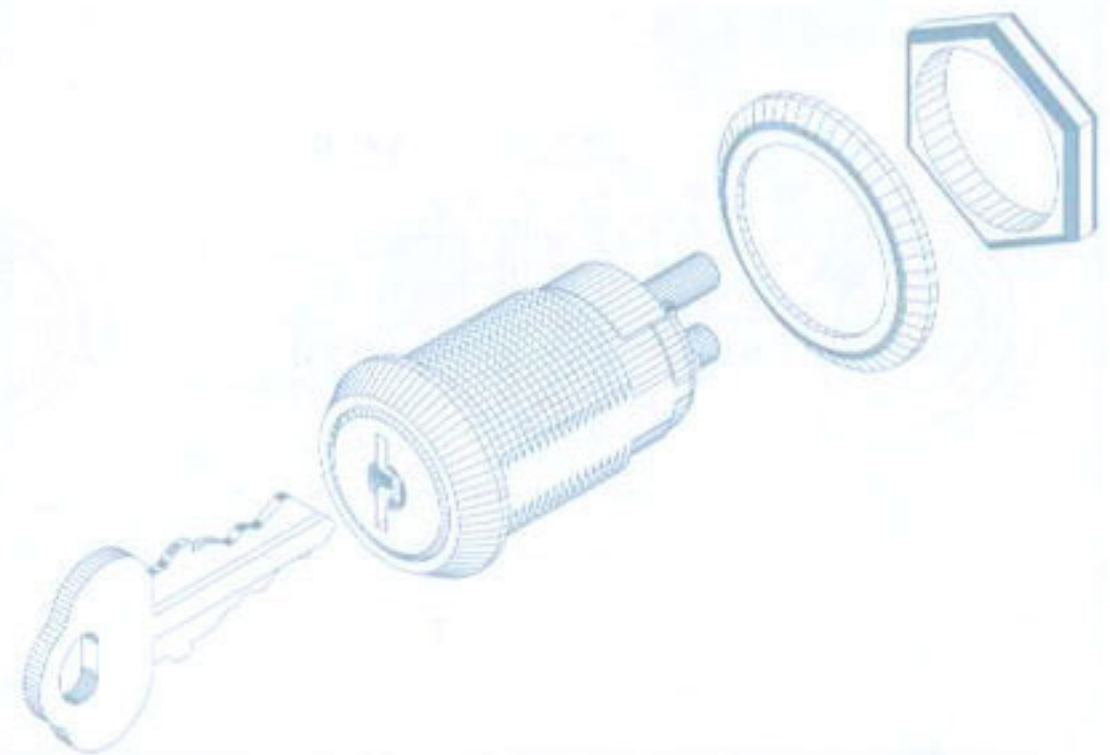
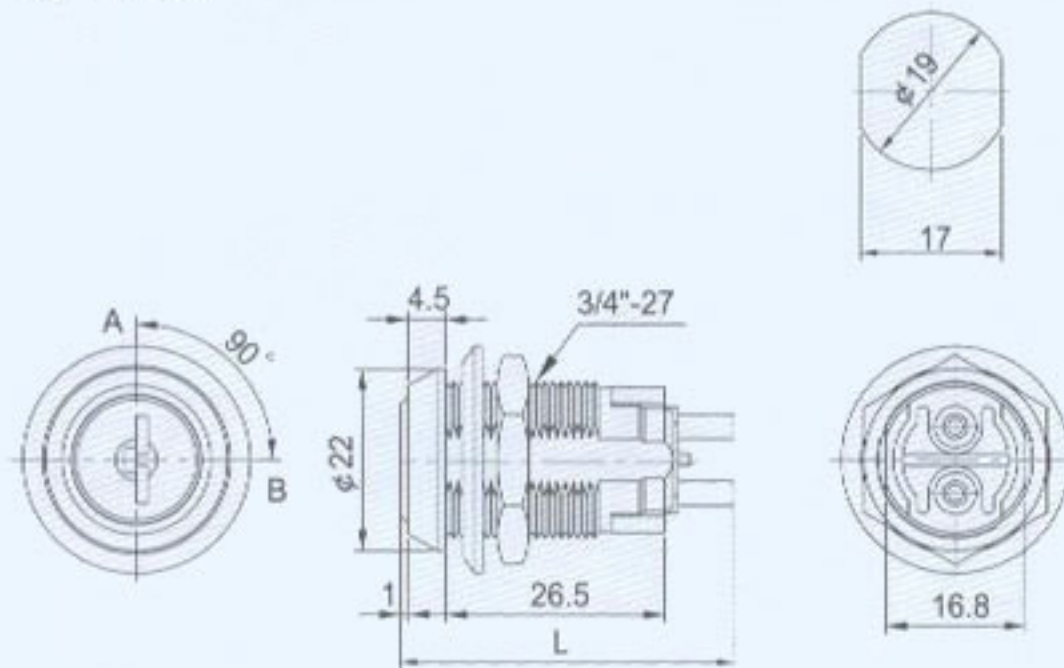
- . Zinc alloy die cast housing and cylinder.
- . Bright chrome plated standard.
- . 11 disc tumbler mechanism.
- . Reversible double-bitted brass keys
- . Key may be withdrawn in one or both positions.
- . S203B 2 position (off-on) 2 tubular terminals.
- . S203BM 2 position (off-on) 2 tubular terminals, spring loaded for momentary contact.
- . Hex nut mounted.
- . All keyed alike or 5 combinations standard.
- . 5 combinations available.

SPECIFICATION

- . Contact Rating: 4A 125VAC, 2A 250VAC.
- . Contact Resistance: 10 Milli-Ohms Max.
- . Insulation Resistance: 500 Meg-Ohms Min. (500VDC)
- . Dielectric Strength: 1500 VAC -1 Minute.

Unit: mm

Recommended hole size



○ -OFF POSITION

■ -INDICATES KEY-PULL

● -INDICATES NO KEY-PULL

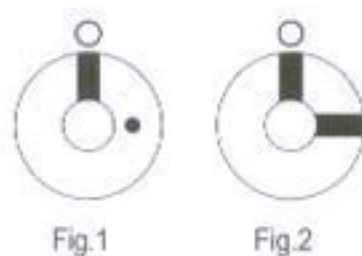
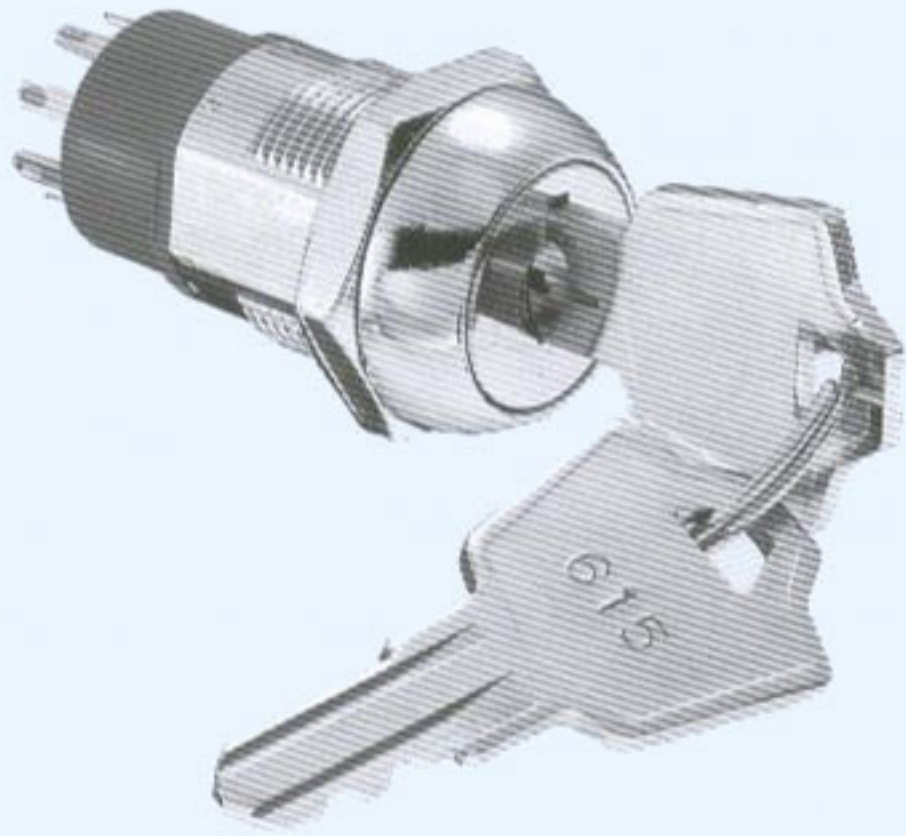


Fig No	Lock Number	Pole	Positions	Terminals	Key Pulls	Turn	↑	→	Type
1	S203B-1	1	2	2	1	90°	Off	On	SPST
2	S203B-2	1	2	2	2	90°	Off	On	SPST
1	S203BM	1	2	2	1	90°	Off	(On)	SPST

Lock Number	L
S203B	40.5
S203BM	49

():Momentary Contact

S215 series



DESCRIPTION

- . Zinc alloy die cast housing and cylinder.
- . Bright nickel plated standard.
- . 4 disc tumbler mechanism.
- . Brass keys, nickel plated.
- . Key may be withdrawn in one or both or three positions.
- . Golden plated contacts and terminals
- . Hex nut or speed clip mounted.
- . All keyed alike or 25 combinations standard.
- . 25 combinations available.

SPECIFICATION

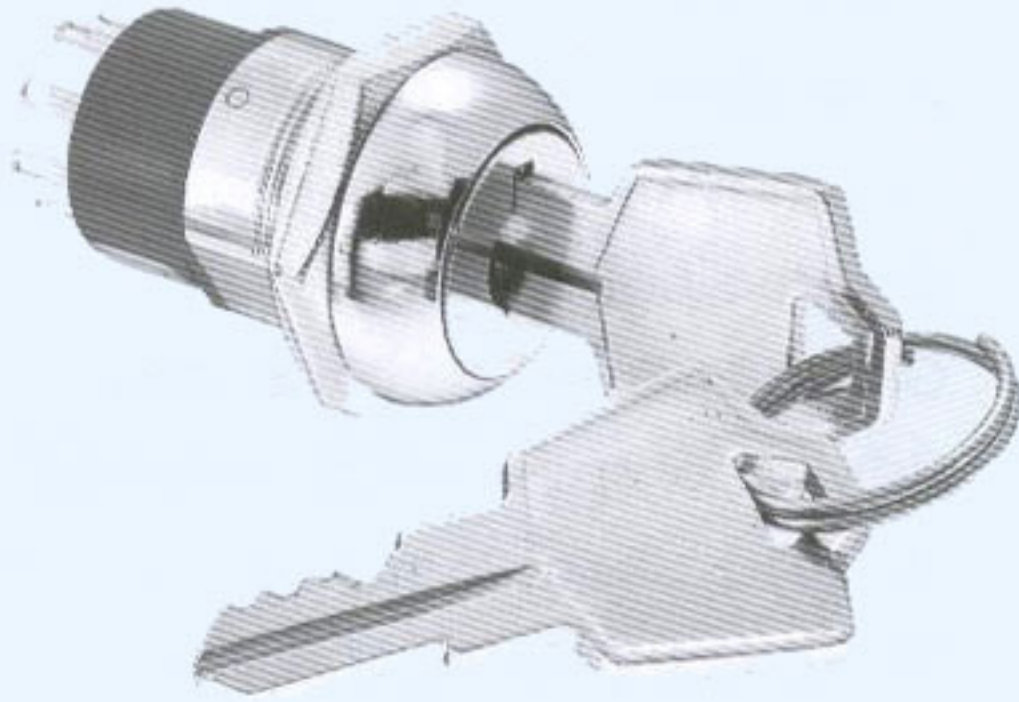
- . Contact Rating: 4A 125VAC, 2A 250VAC.
- . Contact Resistance: 10 Milli-Ohms Max.
- . Insulation Resistance: 500 Meg-Ohms Min. (500VDC)
- . Dielectric Strength: 1500 VAC -1 Minute.

- ▼ -Momentary position(45°)
- -Detent positions (45° or 90°)
- ⊙ -Key pull possible in these positions
- ↑ or ↓ or ⊙ --Stop positions

MODEL / SWITCH AND FUNCTION FOR S215

LOCK CONFIGURATION CAS VIEWED FROM KEY END	MODEL NO. NO. POLES	CONNECTED TERMINALS					KEY PULL POSSIBLE THESE POS.
		POS.1	POS.2	POS.3	POS.4	POS.5	
 45° INDEXING MOMENTARY	S215-A SP	8-1	1-2				POS.1
	S215-B DP	8-1 4-5	1-2 5-6				
 45° INDEXING MOMENTARY	S215-C SP	8-1	7-8				POS.1
	S215-D DP	8-1 4-5	7-8 3-4				
 45° INDEXING MOMENTARY	S215-E SP	8-1	1-2	7-8			POS.1
	S215-F DP	8-1 4-5	1-2 5-6	7-8 3-4			
 45° /90° INDEXING MOMENTARY	S215-G SP	7-1	1-2	6-7			POS.1 POS.3
	S215-H SP	8-1	7-8	1-3			POS.1 POS.3
 45° INDEXING MOMENTARY	S215-I SP	8-1	1-2	7-8			POS.1
	S215-J DP	8-1 4-5	1-2 5-6	7-8 3-4			
 45° INDEXING MOMENTARY	S215-K SP	8-1	7-8	1-2			POS.1
	S215-L DP	8-1 4-5	7-8 3-4	1-2 5-6			

S216 series



DESCRIPTION

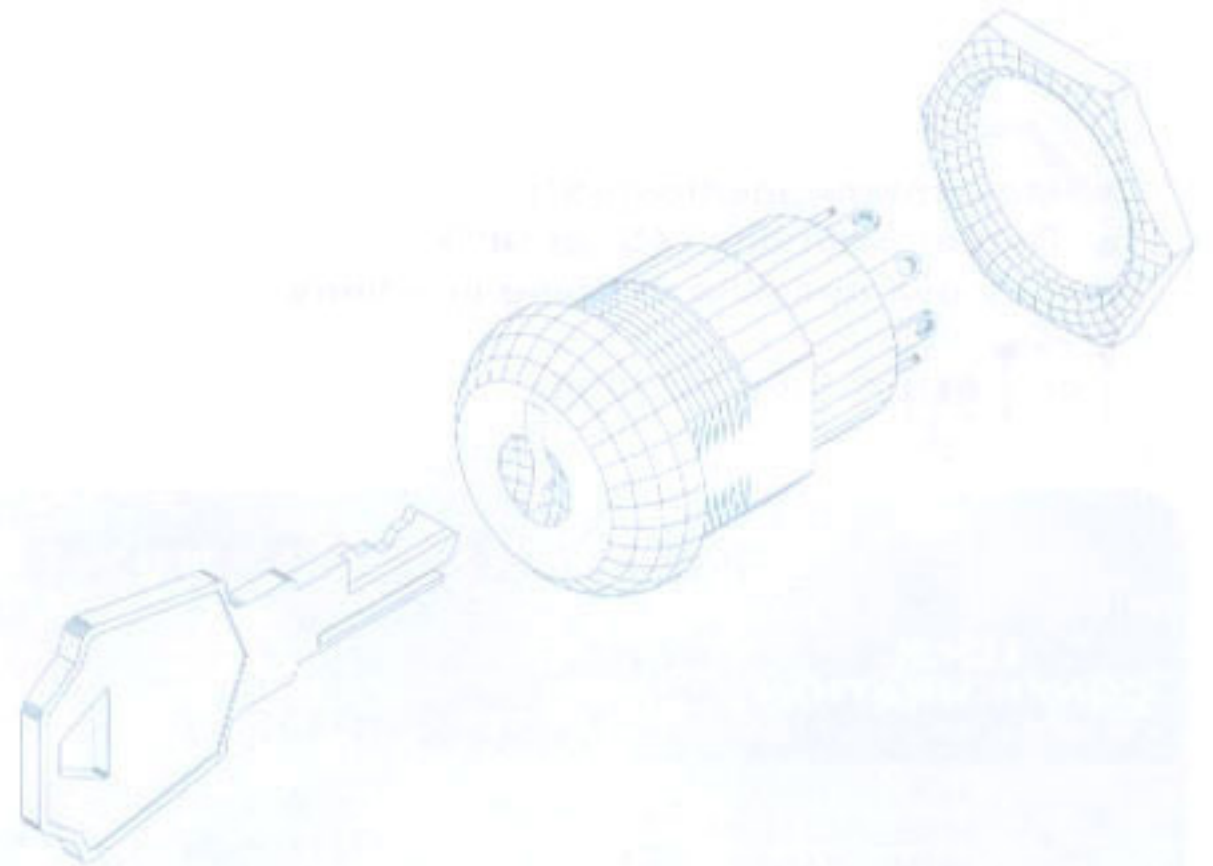
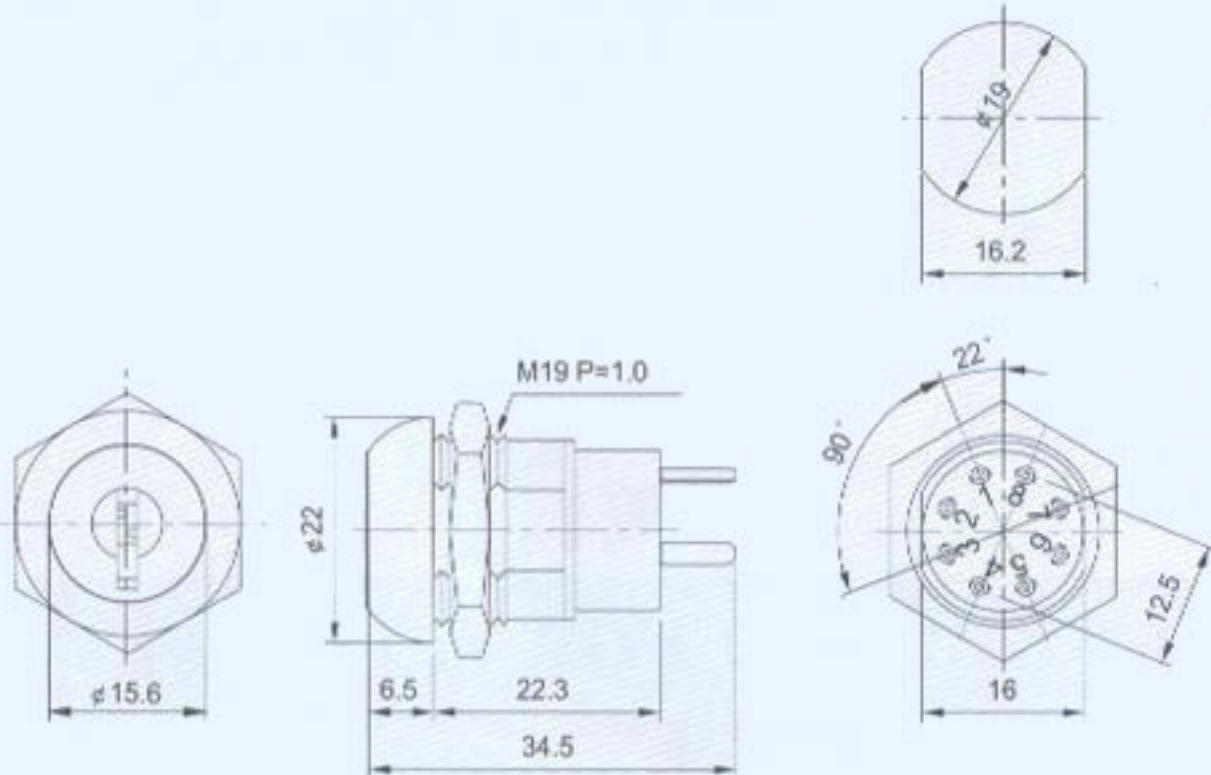
- . Zinc alloy die cast housing and cylinder.
- . Bright nickel plated standard.
- . 4 disc tumbler mechanism.
- . Brass keys, nickel plated.
- . Various key withdrawals available.
- . Golden plated contacts and terminals.
- . See page 27 for model / switch function.
- . Hex nut or speed clip mounted.
- . All keyed alike or 25 combinations standard.
- . 25 combinations available.

SPECIFICATION

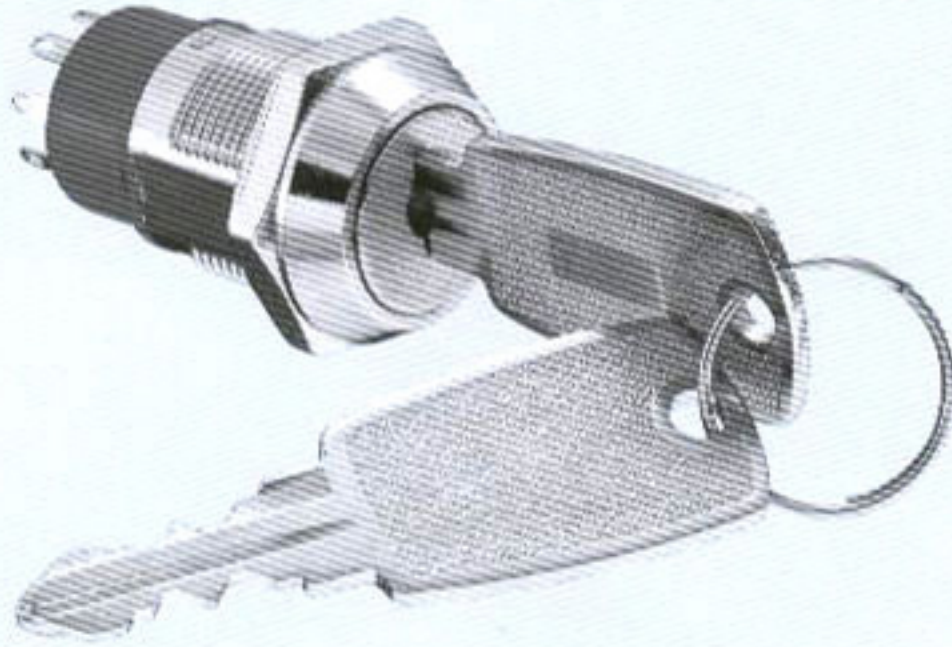
- . Contact Rating: 4A 125VAC, 2A 250VAC.
- . Contact Resistance: 10 Milli-Ohms Max.
- . Insulation Resistance: 500 Meg-Ohms Min. (500VDC)
- . Dielectric Strength: 1500 VAC -1 Minute.

Unit: mm

Recommended hole size



S217 series



DESCRIPTION

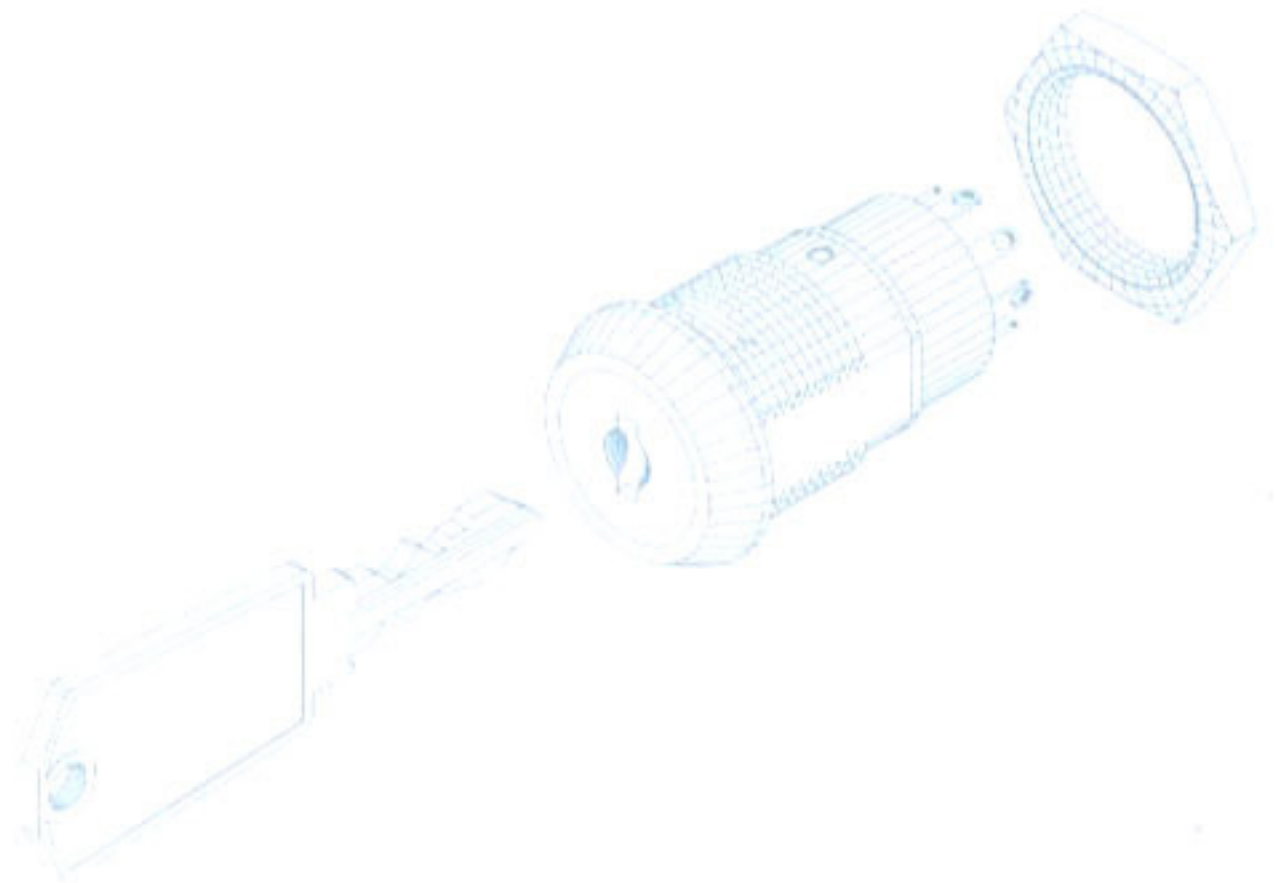
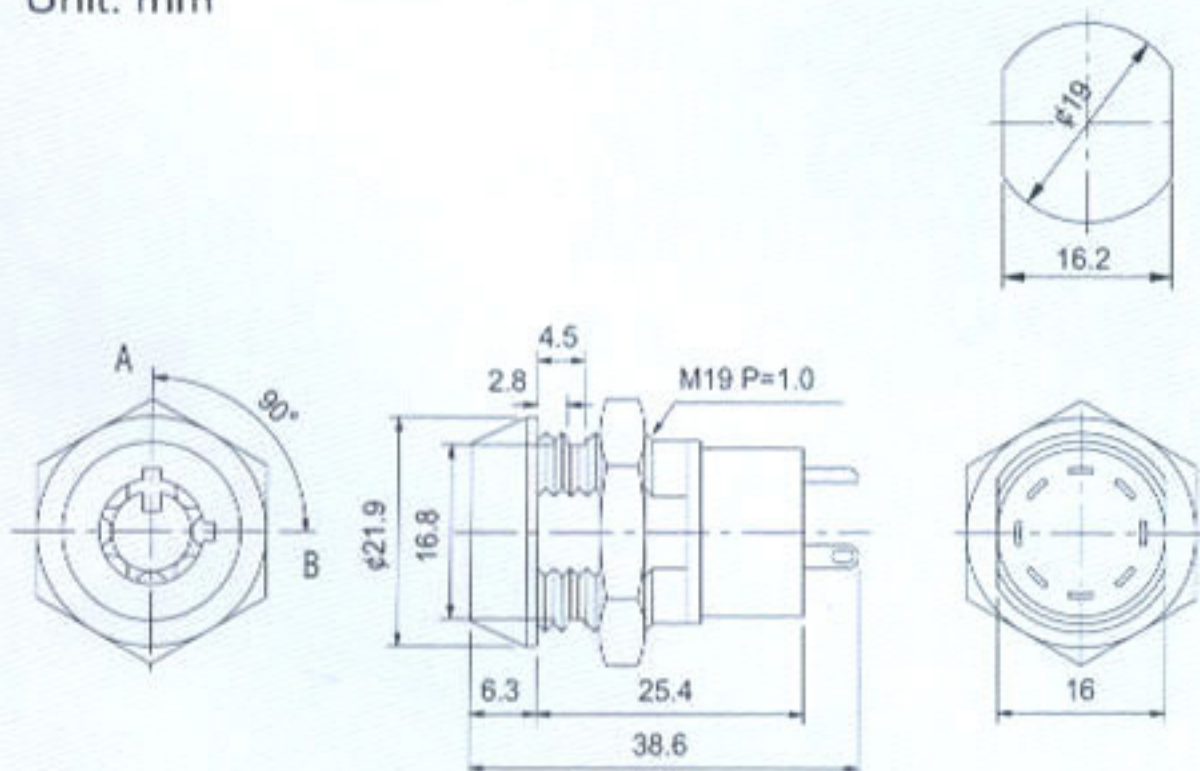
- . Zinc alloy die cast housing and cylinder.
- . Bright nickel plated standard.
- . 5 disc tumbler mechanism.
- . Reversible double-bitted brass keys, nickel plated.
- . Various key withdrawals available.
- . Golden plated contacts and terminals.
- . See page 27 for model / switch function.
- . Hex nut or speed clip mounted.
- . All keyed alike or 25 combinations standard.
- . 25 combinations available.

SPECIFICATION











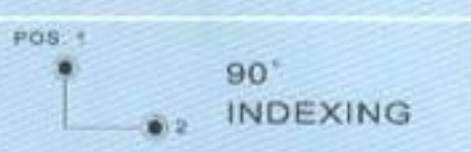



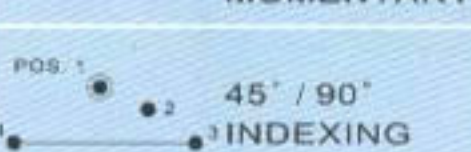



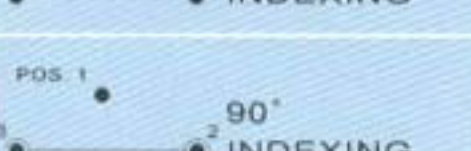

- . Contact Rating: 4A 125VAC, 2A 250VAC.
- . Contact Resistance: 10 Milli-Ohms Max.
- . Insulation Resistance: 500 Meg-Ohms Min. (500VDC)
- . Dielectric Strength: 1500 VAC -1 Minute.

Unit: mm

Recommended hole size



MODEL / SWITCH AND FUNCTION FOR S216 S217 S218

LOCK CONFIGURATION CAS VIEWED FROM KEY END	MODEL NO. NO. POLES	CONNECTED TERMINALS					KEY PULL POSSIBLE THESE POS.
		POS.1	POS.2	POS.3	POS.4	POS.5	
 45° INDEXING	A SP B DP	8-1 8-1 4-5	1-2 1-2 5-6	2-3 2-3 6-7			POS.1
 45° INDEXING	C SP D DP	8-1 8-1 4-5	1-2 1-2 5-6	2-3 2-3 6-7			POS.3
 45° INDEXING	E SP F DP	8-1 8-1 4-5	1-2 1-2 5-6	2-3 2-3 6-7			POS.1 POS.3
 45° INDEXING	G SP H SP	8-1 8-1 4-5	1-2 1-2 5-6	7-8 7-8 3-4			POS.1
 45° INDEXING	I SP J DP	8-1 8-1 4-5	1-2 1-2 5-6	7-8 7-8 3-4			POS.1 POS.2 POS.3
 45° INDEXING	K SP	8-1	1-2	2-3	7-8	6-7	POS.1
 45° INDEXING	L SP	8-1	1-2	2-3	7-8	6-7	POS.3 POS.5
 45° INDEXING	M SP	8-1	1-2	2-3	7-8	6-7	POS.1 POS.3 POS.5
 90° INDEXING	N SP O DP	8-1 8-1 4-5	1-3 1-3 5-7				POS.1
 90° INDEXING	P SP Q DP	8-1 8-1 4-5	1-3 1-3 5-7				POS.2
 90° INDEXING	R SP S DP	8-1 8-1 4-5	1-3 1-3 5-7				POS.1 POS.2
 45° / 90° INDEXING	T SP	8-1	1-3	7-8	6-7		POS.1
 45° / 90° INDEXING	U SP	8-1	1-3	7-8	6-7		POS.2 POS.4
 45° / 90° INDEXING MOMENTARY	V SP	8-1	1-3	7-8	6-7		POS.1 POS.2 POS.4
 45° / 90° INDEXING	Y SP	7-1	1-2	2-3	6-7		POS.1
 45° / 90° INDEXING	Z SP	7-1	1-2	2-3	6-7		POS.3 POS.4
 45° / 90° INDEXING	AI SP	7-1	1-2	2-3	6-7		POS.1 POS.3 POS.4
 90° INDEXING	BI SP	7-1	1-3	6-7			POS.1
 90° INDEXING	CI SP	7-1	1-3	6-7			POS.2 POS.3
 90° INDEXING	DI SP	7-1	1-3	6-7			POS.1 POS.2 POS.3

S236



DESCRIPTION

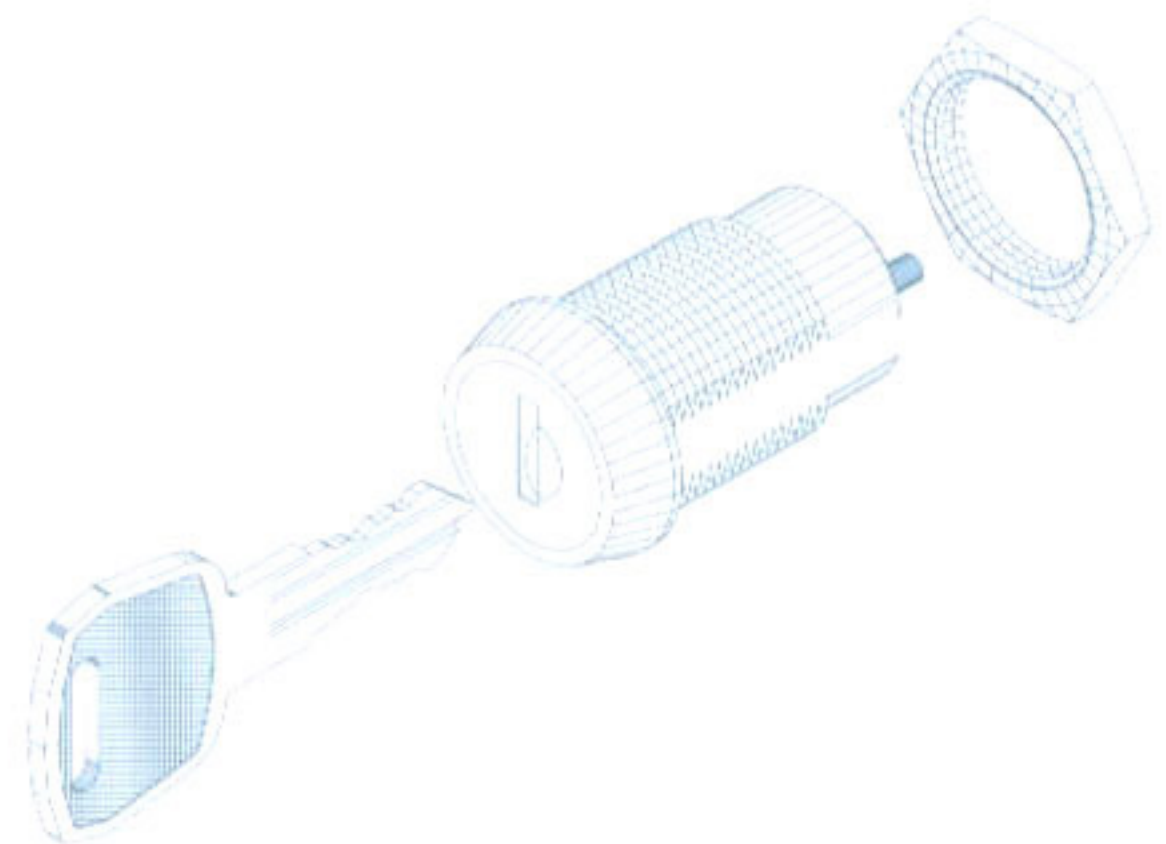
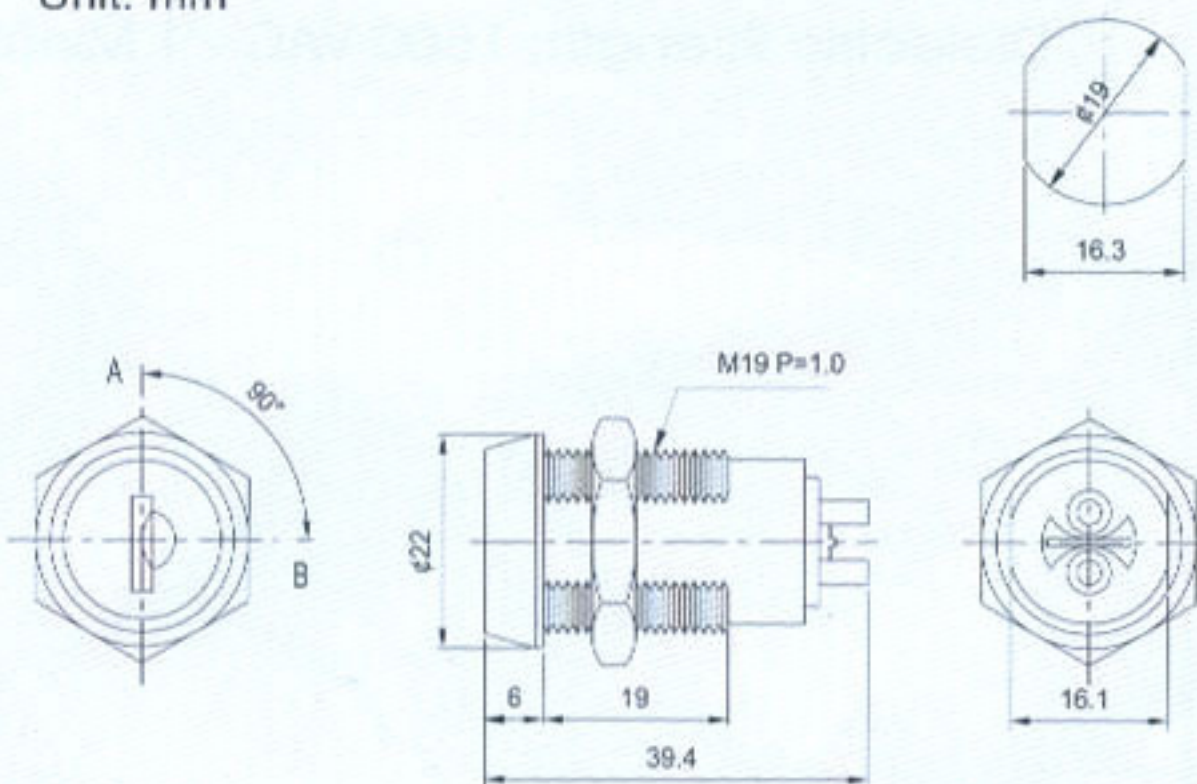
- . Zinc alloy die cast housing and cylinder.
- . Bright chrome plated standard.
- . Dust shutter mechanism.
- . 5 disc tumbler mechanism.
- . Reversible double-bitted brass keys, nickel plated.
- . Key withdrawals in both positions only.
- . Silver plated contacts and terminals.
- . 2 position (off-on) 2 terminals.
- . Hex nut mounted.
- . All keyed alike or 25 combinations standard.
- . 100 combinations available.

SPECIFICATION

- . Contact Rating: 4A 125VAC, 2A 250VAC
- . Contact Resistance: 10 Milli-Ohms Max.
- . Insulation Resistance: 500 Meg-Ohms Min. (500VDC)
- . Dielectric Strength: 1500 VAC - 1 Minute.

Unit: mm

Recommended hole size



○ -OFF POSITION

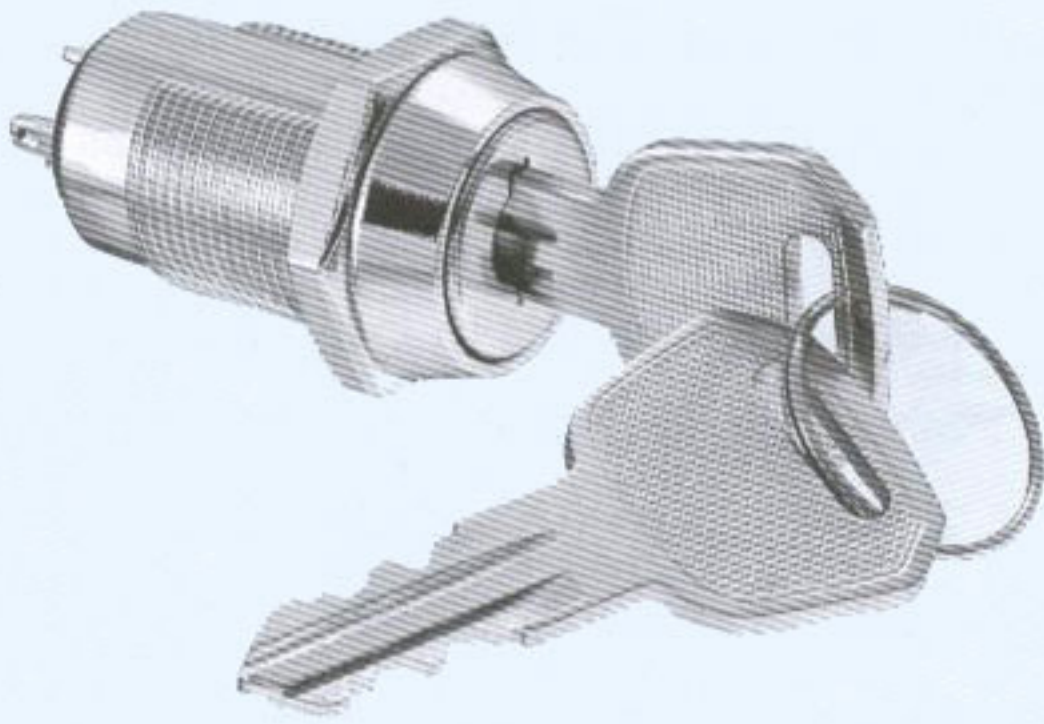
■ -INDICATES KEY-PULL

● -INDICATES NO KEY-PULL



Fig No	Lock Number	Pole	Positions	Terminals	Key Pulls	Turn	↑	→	Type
1	S236-2	1	2	2	2	90°	Off	On	SPST

S236-3C



DESCRIPTION

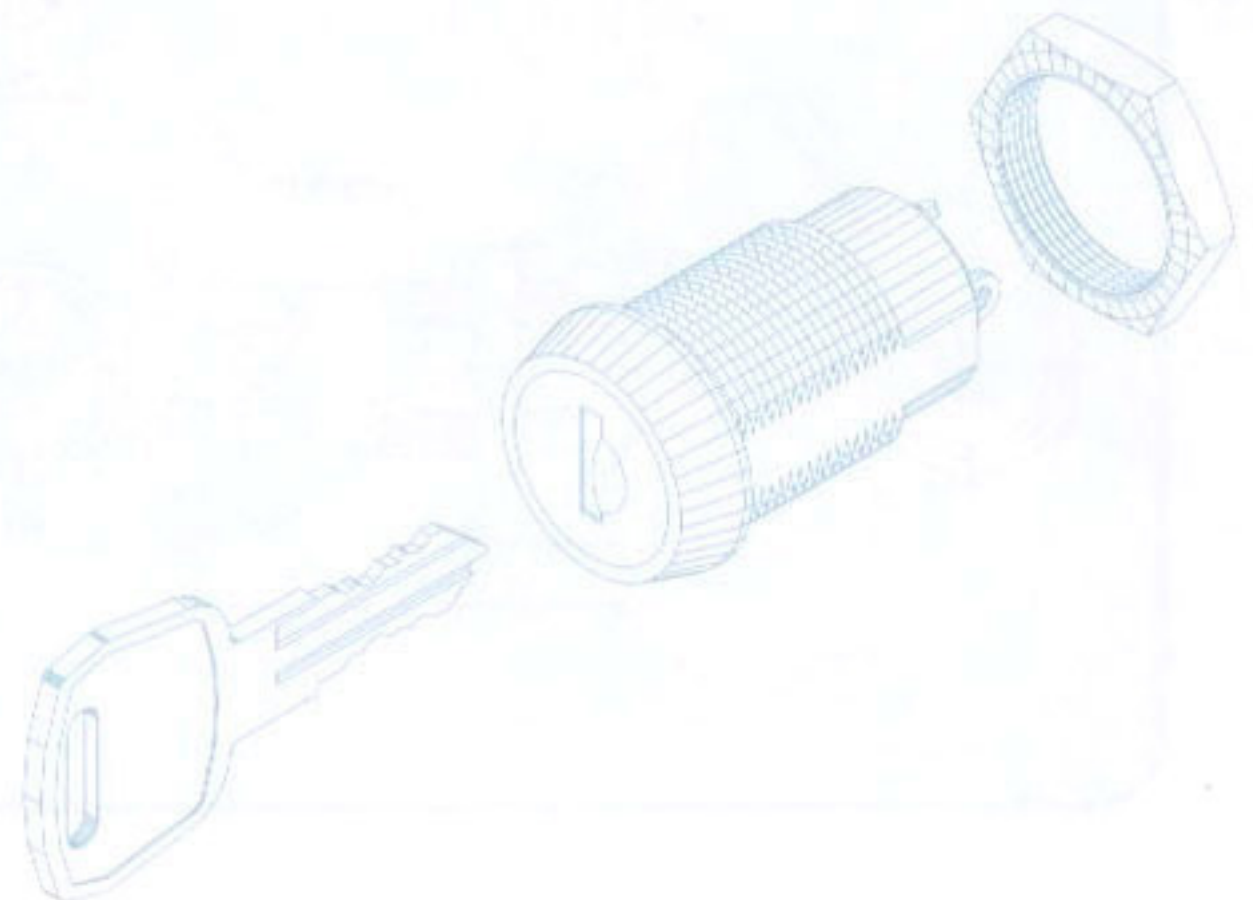
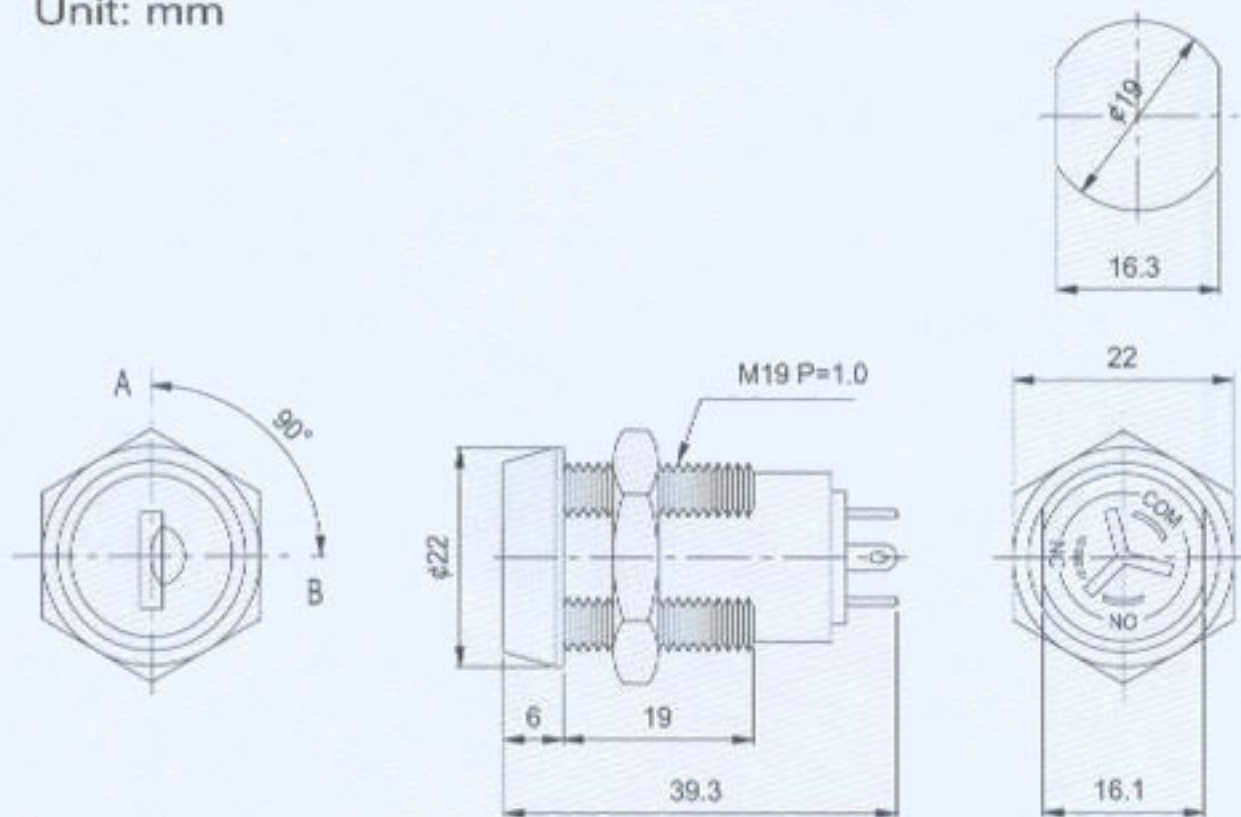
- . Zinc alloy die cast housing and cylinder.
- . Bright chrome plated standard.
- . Dust shutter mechanism.
- . 5 disc tumbler mechanism.
- . Reversible double-bitted brass keys, nickel plated.
- . Key withdrawals in both positions only.
- . Silver plated contacts and terminals.
- . 2 position (off-on) 3 terminals.
- . Hex nut mounted.
- . All keyed alike or 25 combinations standard.
- . 100 combinations available.

SPECIFICATION

- . Contact Rating: 4A 125VAC, 2A 250VAC
- . Contact Resistance: 10 Milli-Ohms Max.
- . Insulation Resistance: 500 Meg-Ohms Min. (500VDC)
- . Dielectric Strength: 1500 VAC - 1 Minute.

Unit: mm

Recommended hole size



○ -OFF POSITION

■ -INDICATES KEY-PULL

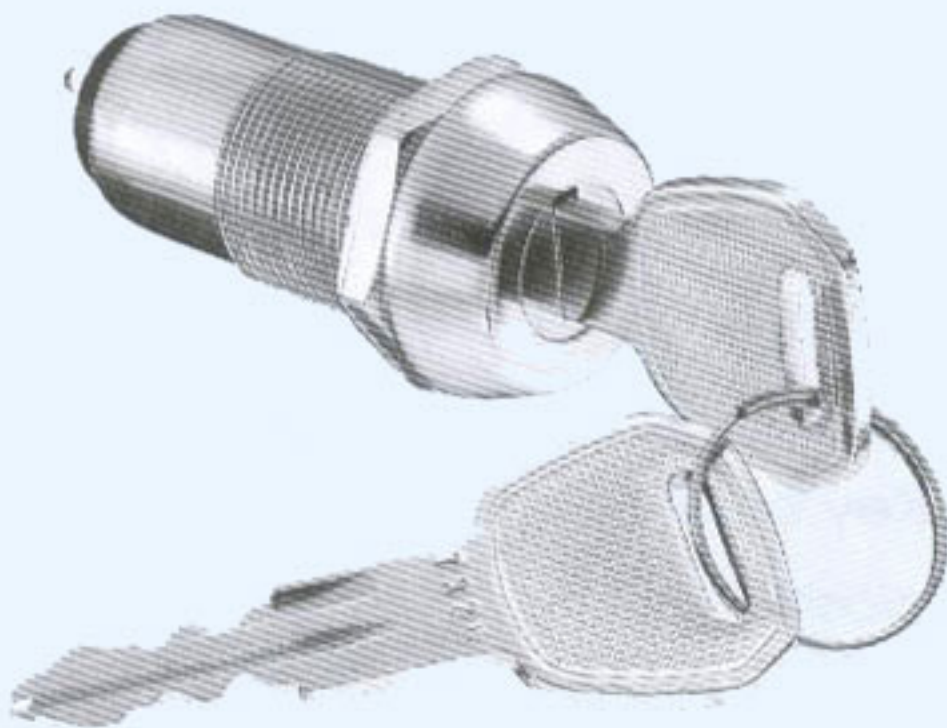
● -INDICATES NO KEY-PULL



Fig.1

Fig No	Lock Number	Pole	Positions	Terminals	Key Pulls	Turn	↑	→	Type
1	S236-3C-2	1	2	3	2	90°	On	On	SPDT

S246 S246M

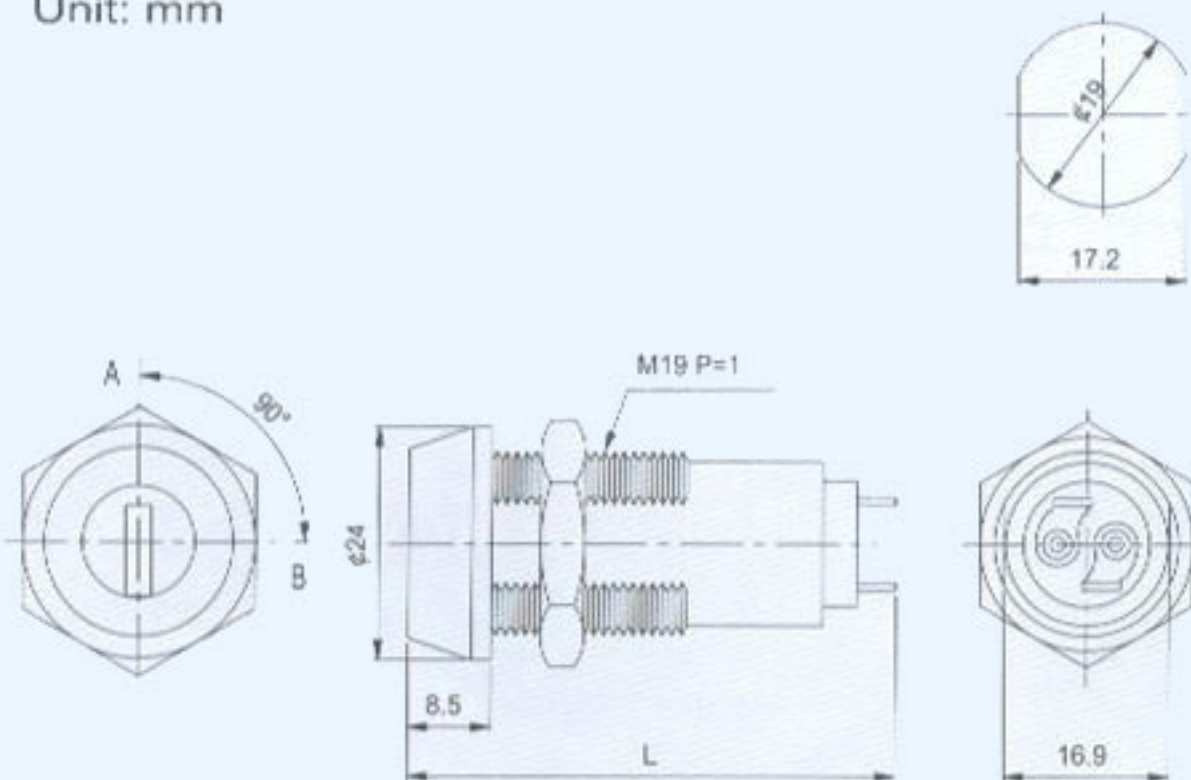


DESCRIPTION

- . Zinc alloy die cast housing and cylinder.
- . Yellow chromate plated standard.
- . Stainless steel capped bezel with dust shutter mechanism.
- . 5 disc tumbler mechanism.
- . Reversible double-bitted brass keys, nickel plated.
- . Key may be withdrawn in one or both positions.
- . Silver plated contacts and terminals.
- . S246 2 position (off-on) 2 terminals.
- . S246M 2 position (off-on) 2 terminals, spring loaded for momentary contact.
- . Hex nut mounted.
- . All keyed alike or 25 combinations standard.
- . 100 combinations available.

Unit: mm

Recommended hole size



SPECIFICATION

- . Contact Rating: 4A 125VAC, 2A 250VAC
- . Contact Resistance: 10 Milli-Ohms Max.
- . Insulation Resistance: 500 Meg-Ohms Min. (500VDC)
- . Dielectric Strength: 1500 VAC - 1 Minute.

- -OFF POSITION
- -INDICATES KEY-PULL
- -INDICATES NO KEY-PULL

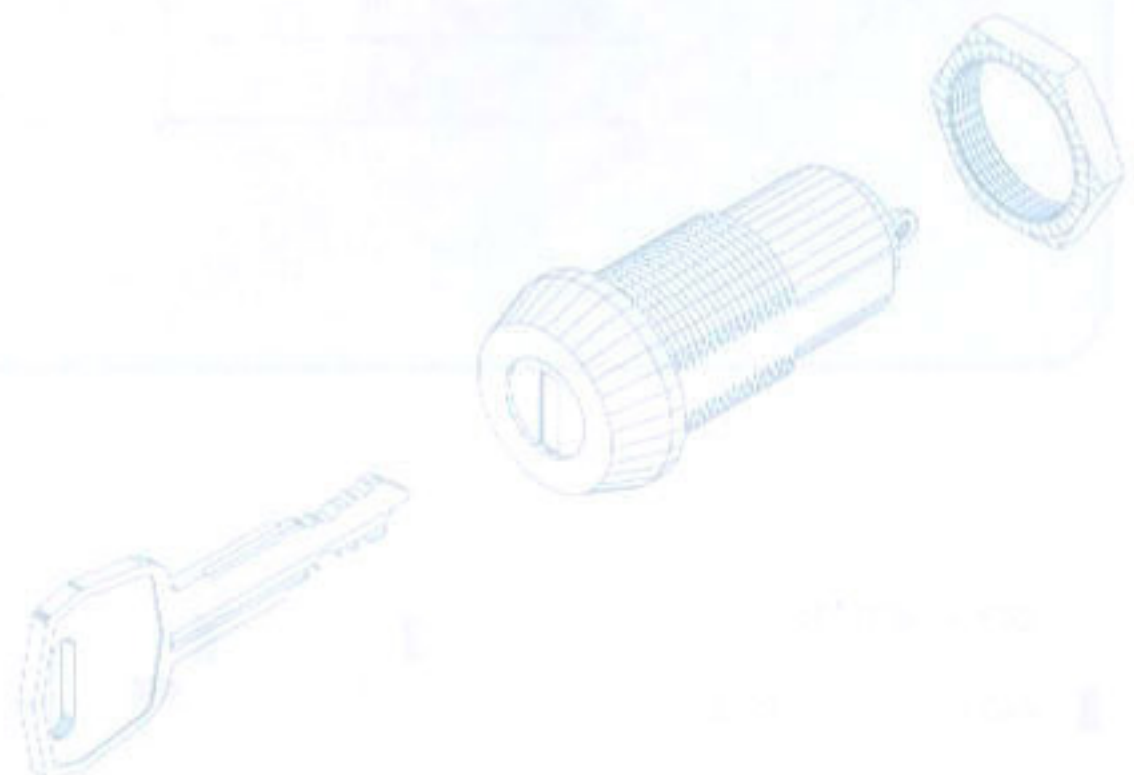
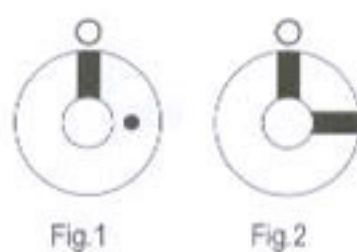


Fig No	Lock Number	Pole	Positions	Terminals	Key Pulls	Turn	⬆	⬆	Type
1	S246-1	1	2	2	1	90°	Off	On	SPST
2	S246-2	1	2	2	2	90°	Off	On	SPST
1	S246M	1	2	2	1	90°	Off	(On)	SPST

Lock Number	L
S246	50.3
S246M	39.6

S246-3C



DESCRIPTION

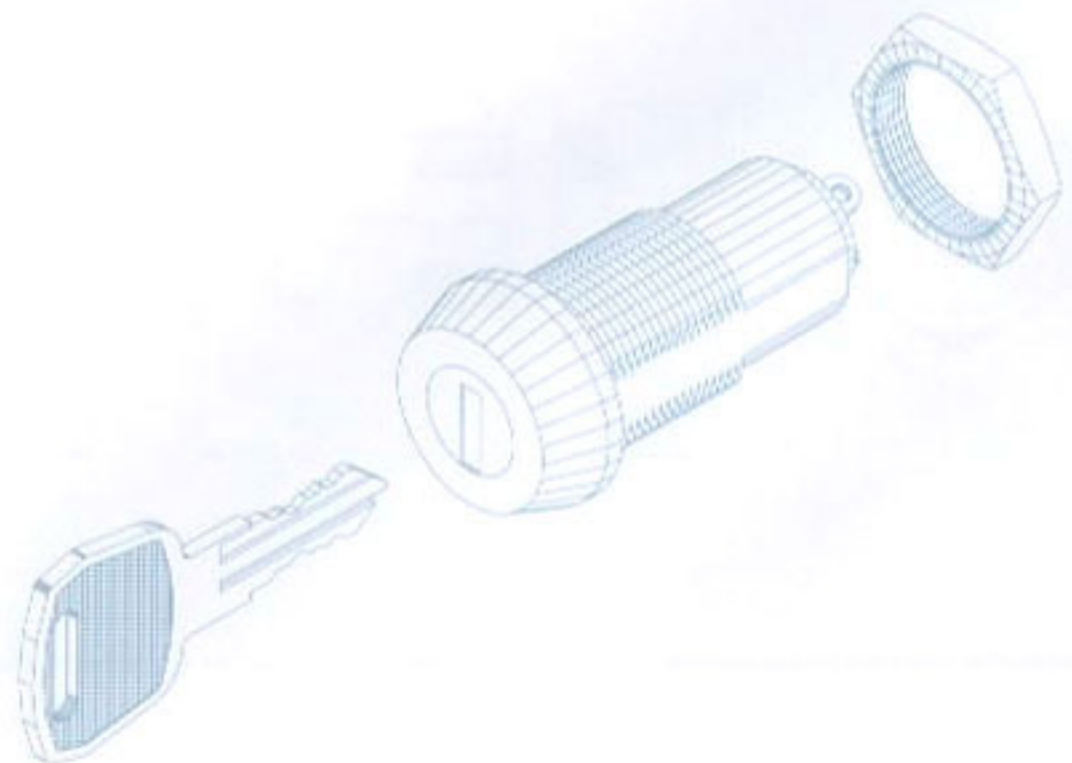
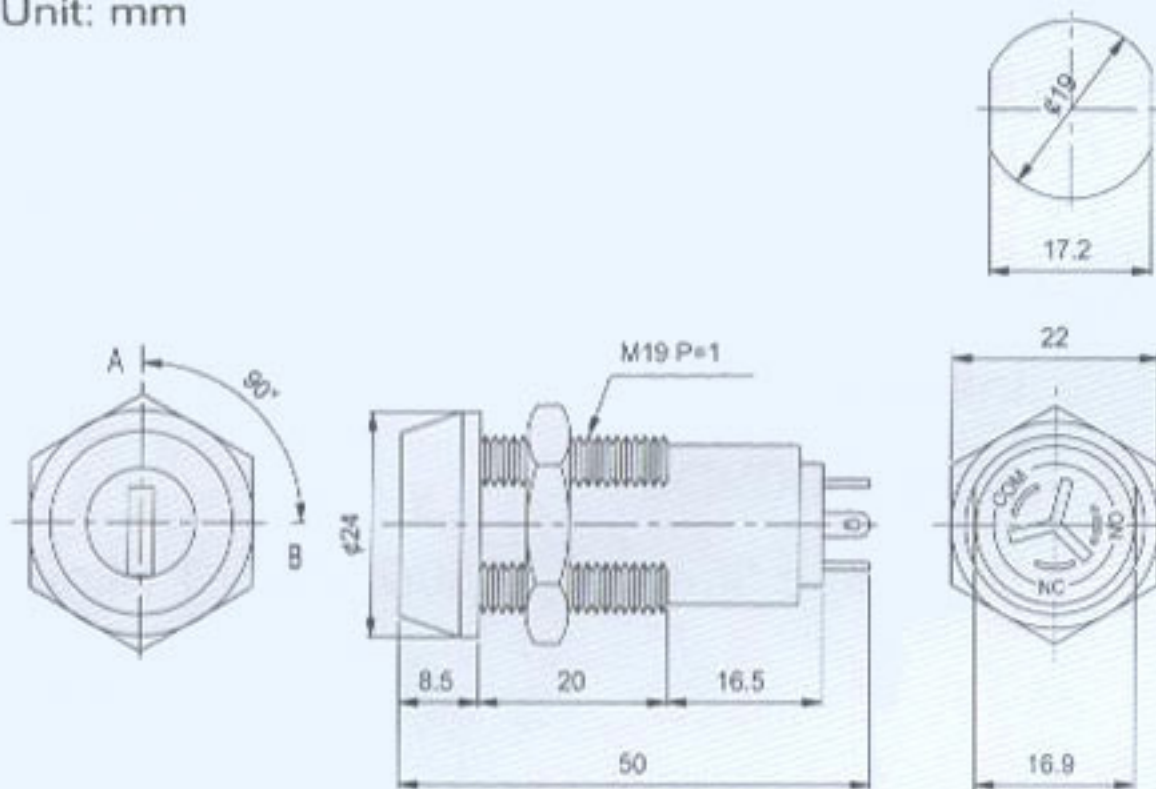
- . Zinc alloy die cast housing and cylinder.
- . Yellow chromate plated standard.
- . Stainless steel capped bezel, dust shutter mechanism.
- . 5 disc tumbler mechanism.
- . Reversible double-bitted brass keys, nickel plated.
- . Key may be withdrawn in one or both positions.
- . Silver plated contacts and terminals.
- . 2 position (off-on) 3 terminals.
- . Hex nut mounted.
- . All keyed alike or 25 combinations standard.
- . 100 combinations available.

SPECIFICATION

- . Contact Rating: 4A 125VAC, 2A 250VAC
- . Contact Resistance: 10 Milli-Ohms Max.
- . Insulation Resistance: 500 Meg-Ohms Min. (500VDC)
- . Dielectric Strength: 1500 VAC - 1 Minute.

Unit: mm

Recommended hole size



- -OFF POSITION
- -INDICATES KEY-PULL
- -INDICATES NO KEY-PULL



Fig.1

Fig.2

Fig No	Lock Number	Pole	Positions	Terminals	Key Pulls	Turn	↑	→	Type
1	S246-3C-1	1	2	3	1	90°	On	On	SPDT
2	S246-3C-2	1	2	3	2	90°	On	On	SPDT

S276



DESCRIPTION

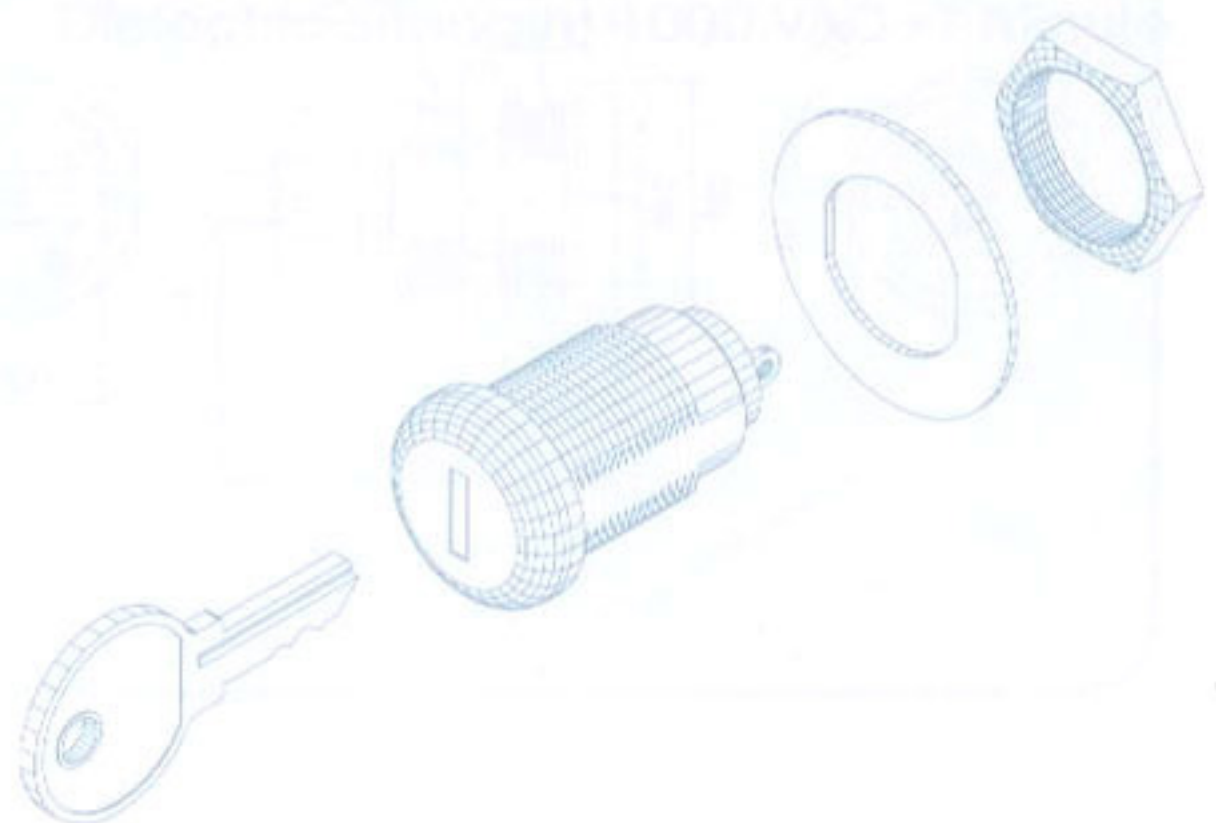
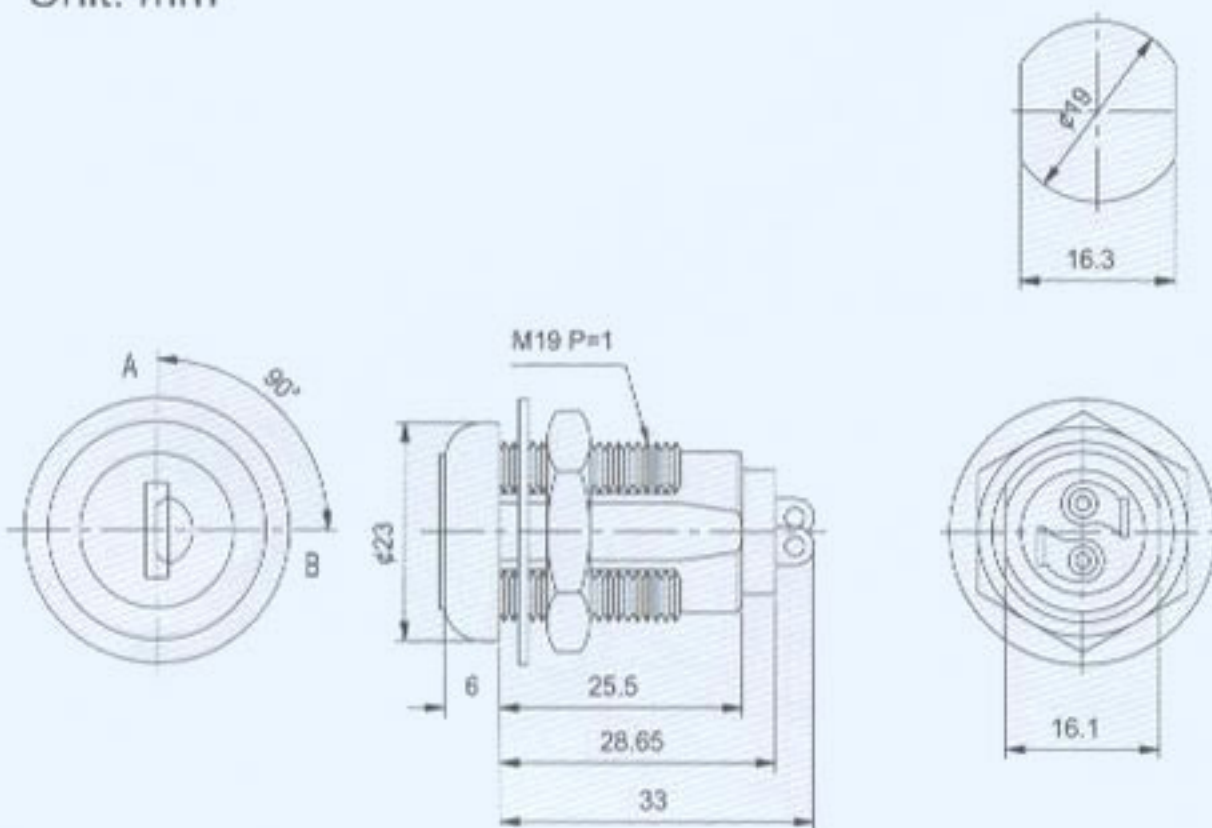
- . Zinc alloy die cast housing and cylinder.
- . Bright chrome plated standard.
- . Stainless steel capped bezel, dust shutter mechanism.
- . 5 disc tumbler mechanism.
- . Brass keys.
- . Key may be withdrawn in both positions only.
- . Silver plated contacts and terminals.
- . S276 2 position (off-on) 2 terminals.
- . Hex nut mounted.
- . All keyed alike or 25 combinations standard.
- . 100 combinations available.

SPECIFICATION

- . Contact Rating: 4A 125VAC, 2A 250VAC
- . Contact Resistance: 10 Milli-Ohms Max.
- . Insulation Resistance: 500 Meg-Ohms Min.(500VDC)
- . Dielectric Strength: 1500 VAC - 1 Minute.

Unit: mm

Recommended hole size

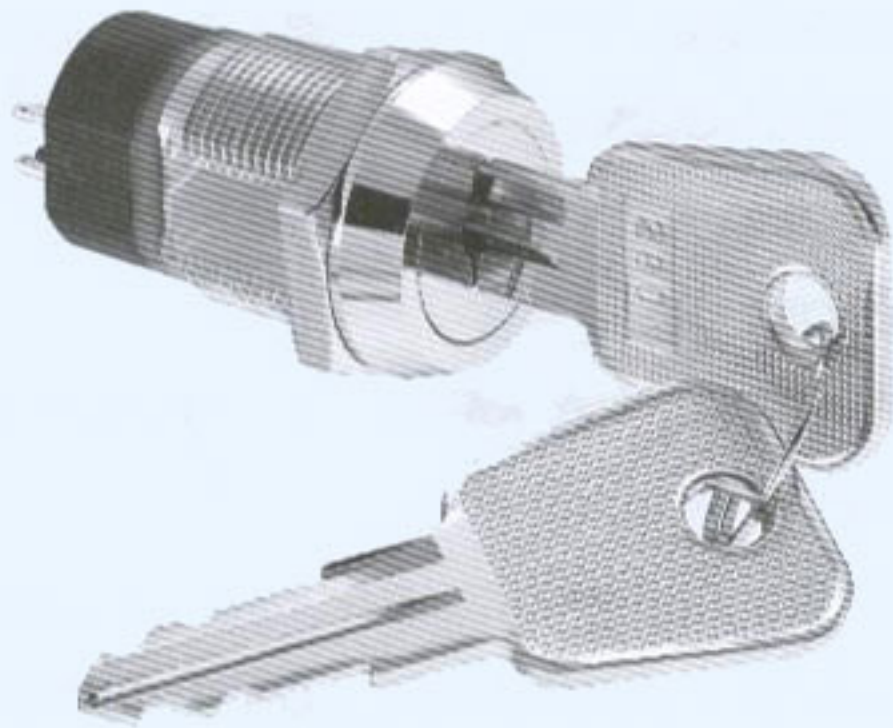


- -OFF POSITION
- -INDICATES KEY-PULL
- -INDICATES NO KEY-PULL



Fig No	Lock Number	Pole	Positions	Terminals	Key Pulls	Turn	↑	→	Type
1	S276-2	1	2	2	2	90°	Off	On	SPST

S286A

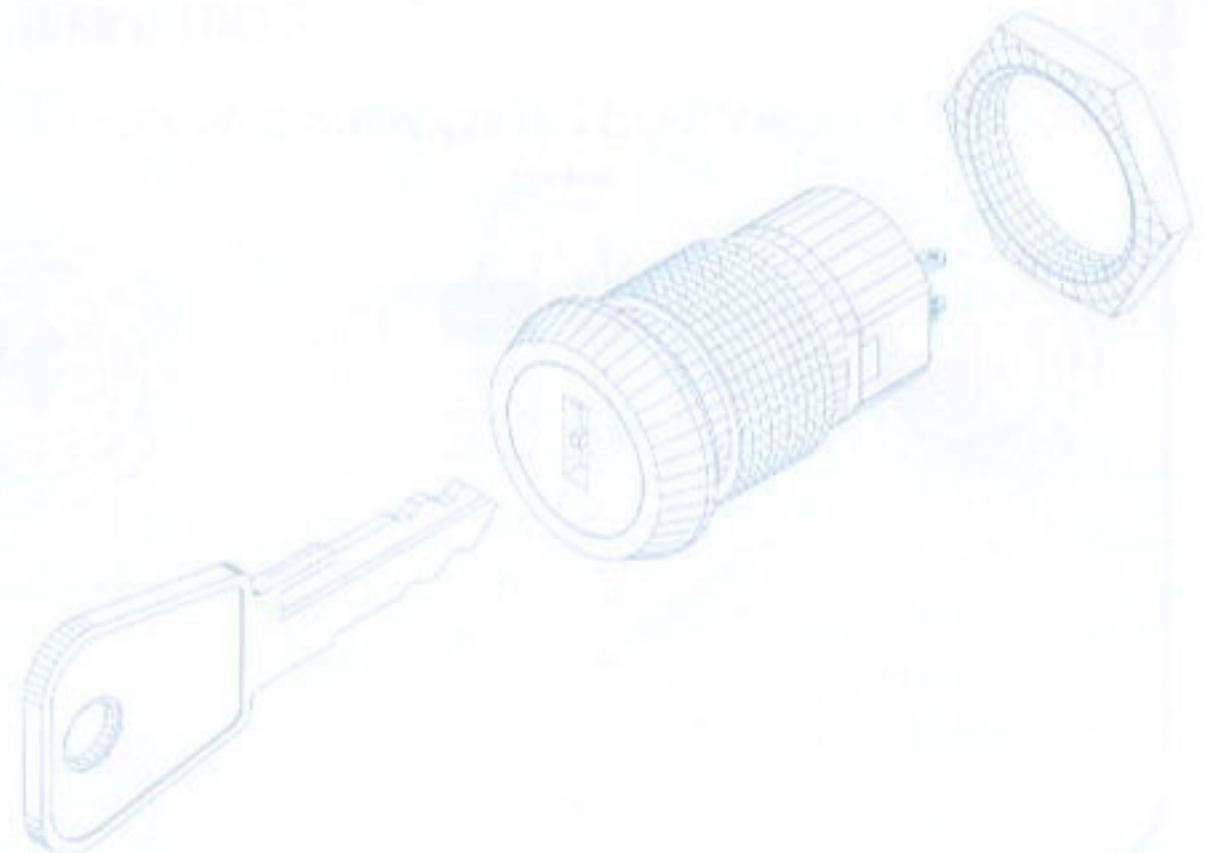
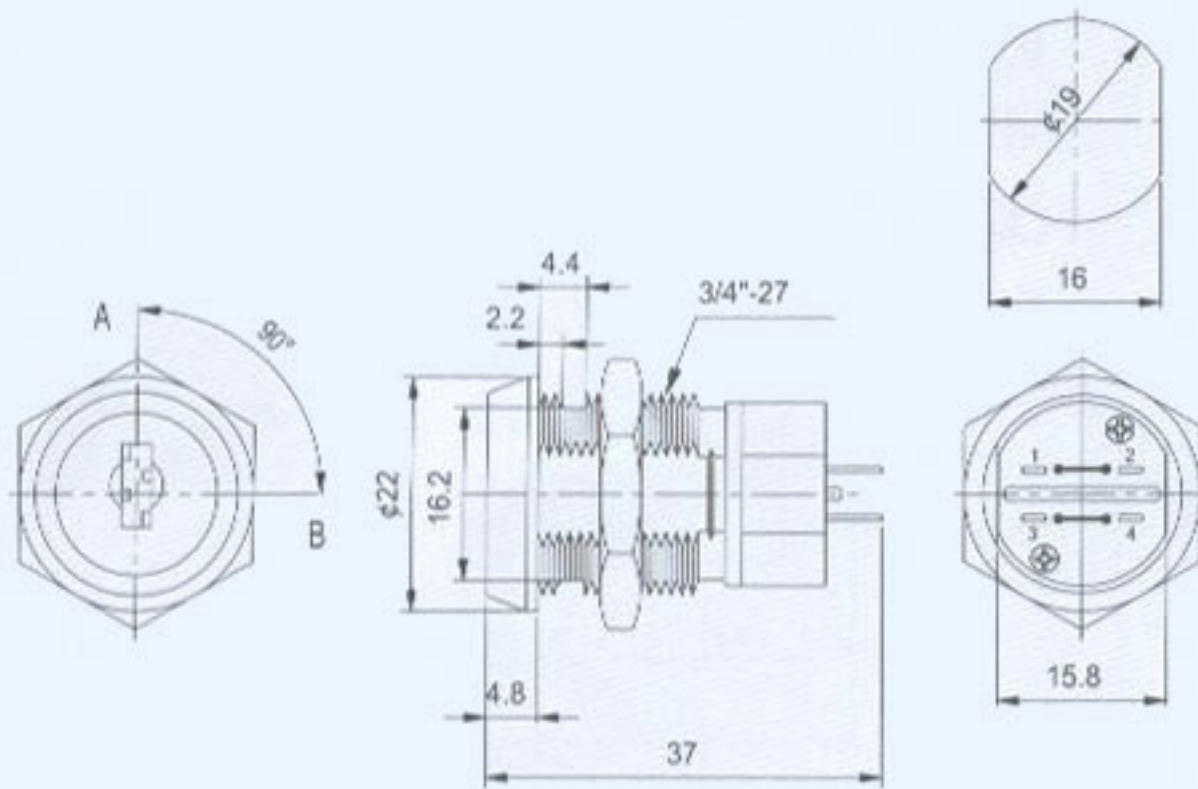


DESCRIPTION

- . Zinc alloy die cast housing and cylinder.
- . Bright chrome plated standard.
- . 5 disc tumbler mechanism.
- . Reversible double-bitted brass keys, nickel plated.
- . Silver plated contacts and terminals.
- . 2 position (off-on) 4 terminals. (2NO 2NC)
- . Hex nut or speed clip mounted.
- . All keyed alike or 25 combinations standard.
- . 150 combinations available.

Unit: mm

Recommended hole size



○ -OFF POSITION

■ -INDICATES KEY-PULL

● -INDICATES NO KEY-PULL



Fig.1



Fig.2

Fig No	Lock Number	Pole	Positions	Terminals	Key Pulls	Turn	↑	→	Type
1	S286A-1	2	2	4	1	90°	Off	On	DPST
2	S286A-2	2	2	4	2	90°	Off	On	DPST

S296 series

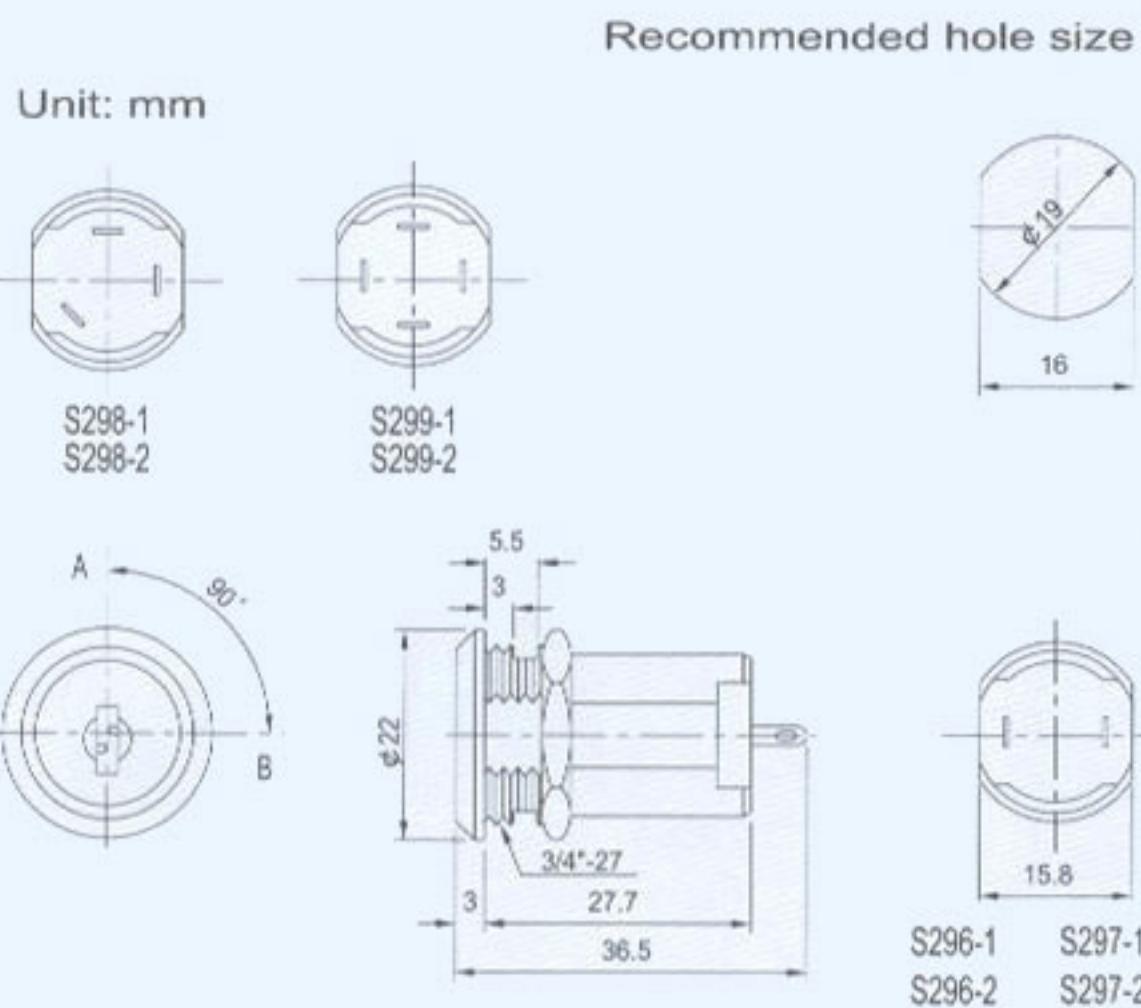


DESCRIPTION

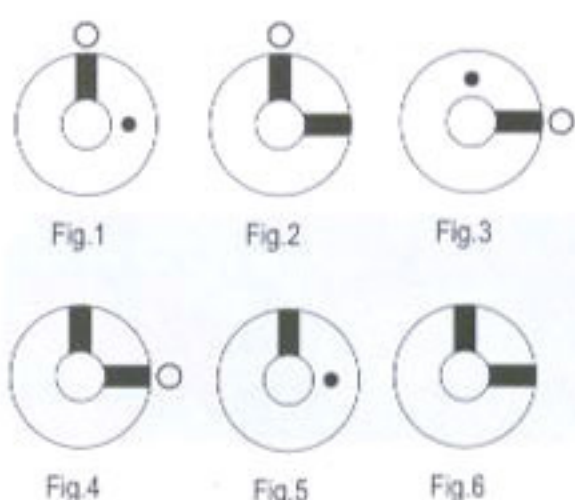
- . Zinc alloy die cast housing and cylinder.
- . Bright nickel plated standard.
- . 4 disc tumbler mechanism.
- . Reversible double-bitted brass keys, nickel plated.
- . Key may be withdrawn in one or both positions.
- . Silver plated contacts and brass terminals.
- . S296 2 position (off-on) 2 terminals.
- . S297 2 position (on-off) 2 terminals.
- . S298 2 position (on-on) 3 terminals.
- . S299 2 position (on-on) 4 terminals.
- . Hex nut or speed clip mounted.
- . All keyed alike or 25 combinations standard.
- . 25 combinations available.

SPECIFICATION

- . Contact Rating: 4A 125VAC, 2A 250VAC.
- . Contact Resistance: 10 Milli-Ohms Max.
- . Insulation Resistance: 200 Meg-Ohms Min. (500VDC)
- . Dielectric Strength: 1000 VAC -1 Minute.



- -OFF POSITION
- -INDICATES KEY-PULL
- -INDICATES NO KEY-PULL



FigNo	LockNumber	Pole	Positions	Terminal	KeyPulls	Turn	↑	→	Type
1	S296-1	1	2	2	1	90°	Off	On	SPST
2	S296-2	1	2	2	2	90°	Off	On	SPST
3	S297-1	1	2	2	1	90°	On	Off	SPST
4	S297-2	1	2	2	2	90°	On	Off	SPST
5	S298-1	1	2	3	1	90°	On	On	SPDT
6	S298-2	1	2	3	2	90°	On	On	SPDT
5	S299-1	1	2	4	1	90°	On	On	SPDT
6	S299-2	1	2	4	2	90°	On	On	SPDT

