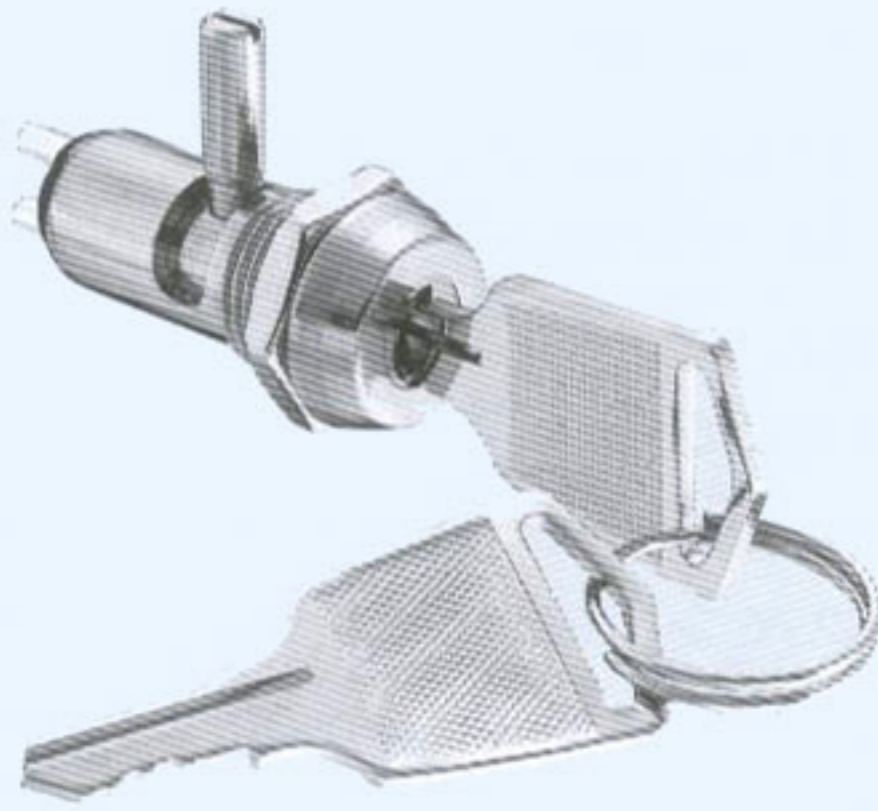


S1096

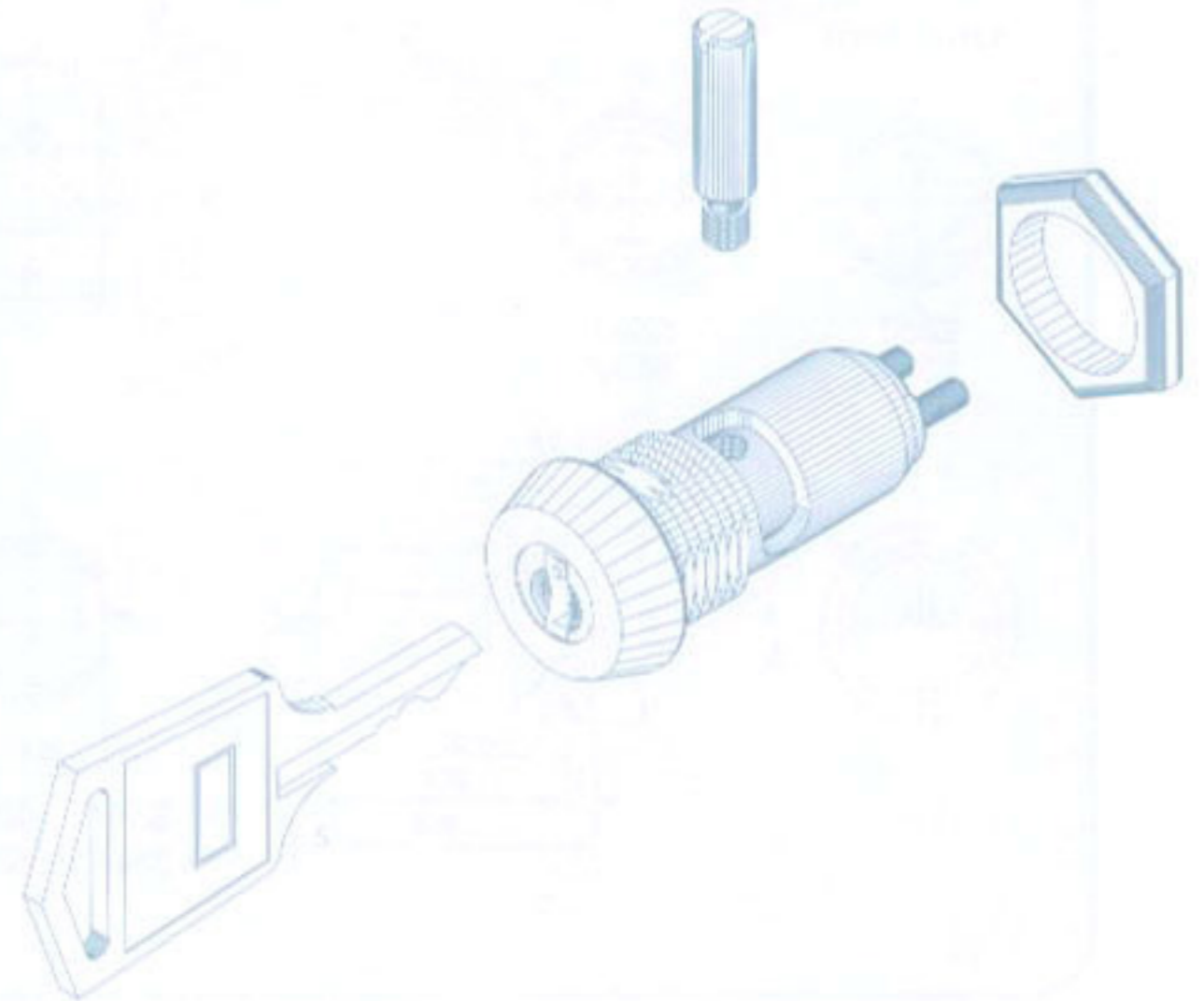
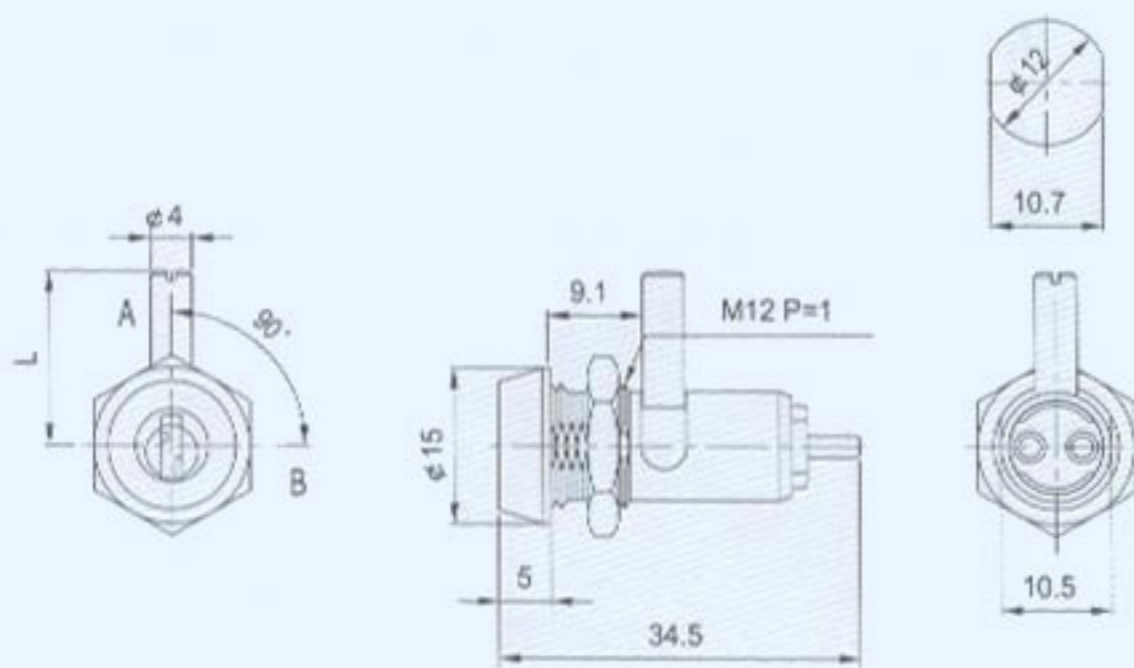


DESCRIPTION

- . Zinc alloy die cast housing and cylinder.
- . Stainless steel capped bezel.
- . Bright chrome plated standard.
- . 4 disc tumbler mechanism.
- . Brass keys, nickel plated.
- . "L" dimension 13mm standard; other dimensions available upon request.
- . Dual-functioned Key Lock Switch.
- . Key may be withdrawn in one or both positions.
- . Silver plated contacts and terminals.
- . 2 position (off-on) 2 terminals.
- . Hex nut or speed clip mounted.
- . All keyed alike or 20 combinations standard.
- . 20 combinations available.

Unit: mm

Recommended hole size



- - OFF POSITION
- - INDICATES KEY-PULL
- - INDICATES NO KEY-PULL



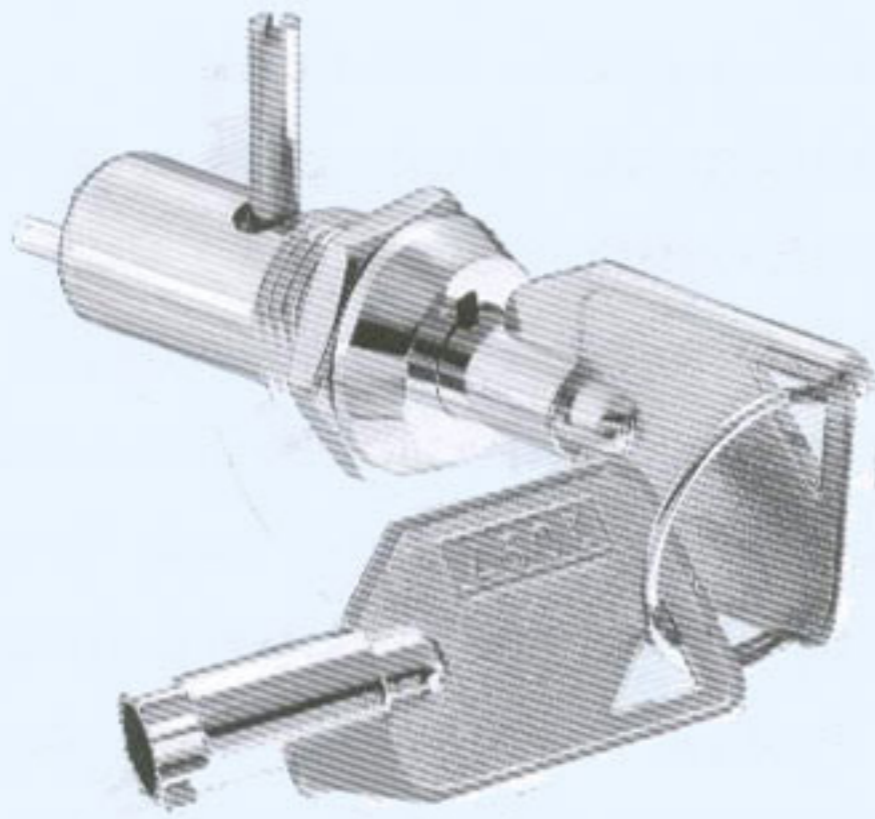
Fig.1



Fig.2

Fig No	Lock Number	Pole	Positions	Terminals	Key Pulls	Turn	↑	→	Type
1	S1096-1	1	2	2	1	90°	Off	On	SPST
2	S1096-2	1	2	2	2	90°	Off	On	SPST

S1097

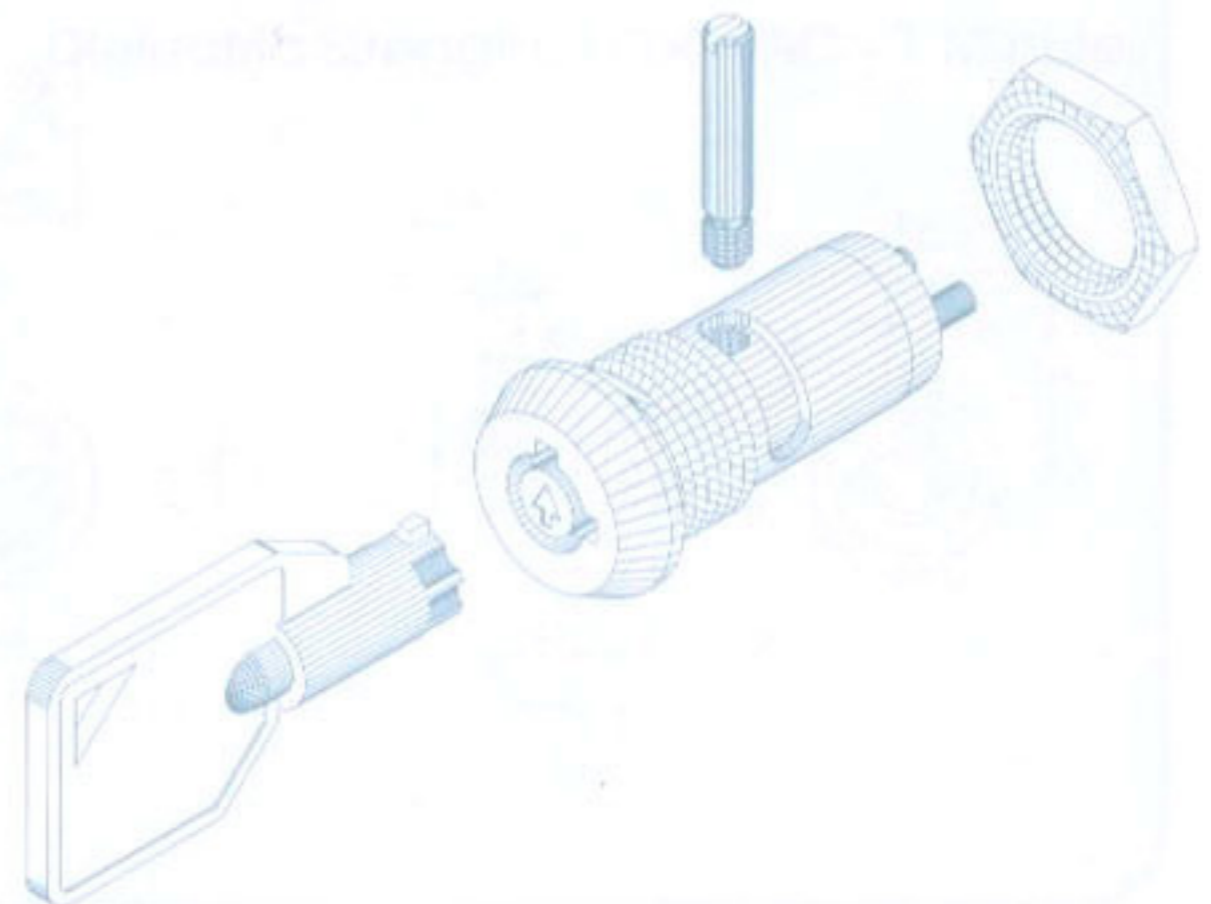
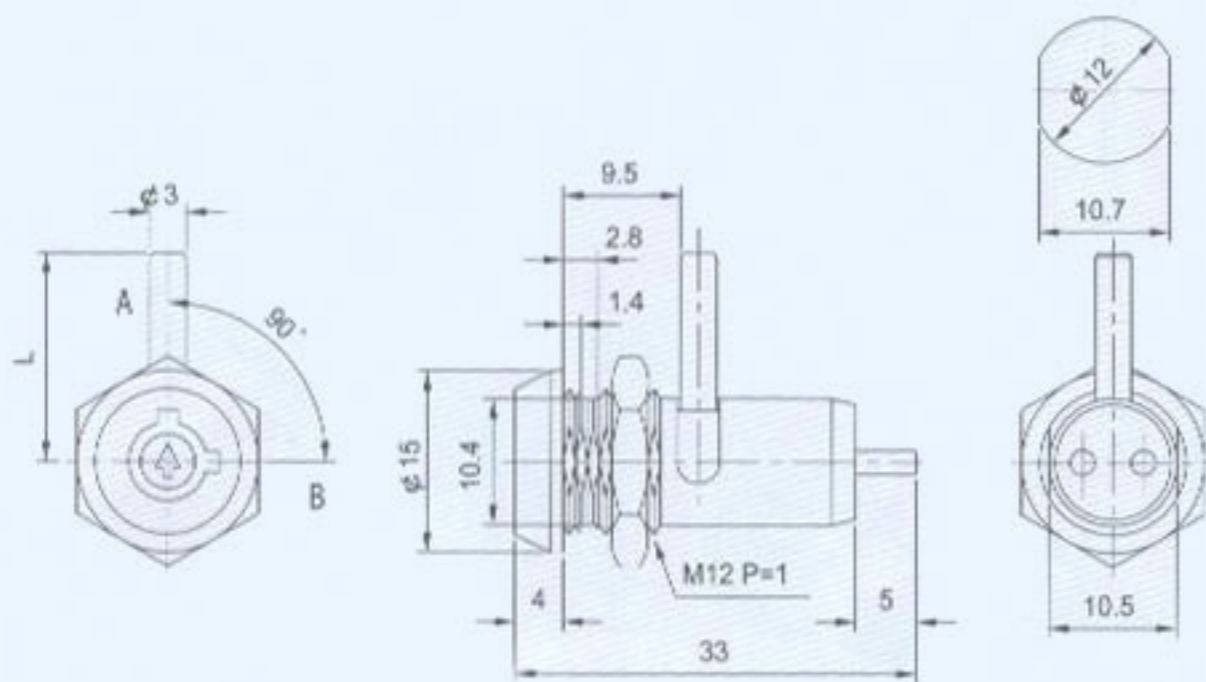


DESCRIPTION

- . Zinc alloy die cast housing and cylinder.
- . Bright chrome plated standard.
- . No pin tumbler mechanism.
- . Zinc alloy tubular keys, chrome plated.
- . "L" dimension 13mm standard; other dimensions available upon request.
- . Dual-functioned Key Lock Switch.
- . Key withdrawals in both positions only.
- . Silver plated contacts and terminals.
- . 2 position (off-on) 2 terminals.
- . Hex nut or speed clip mounted.
- . All keyed alike or 6 combinations standard.
- . 6 combinations available.

Unit: mm

Recommended hole size



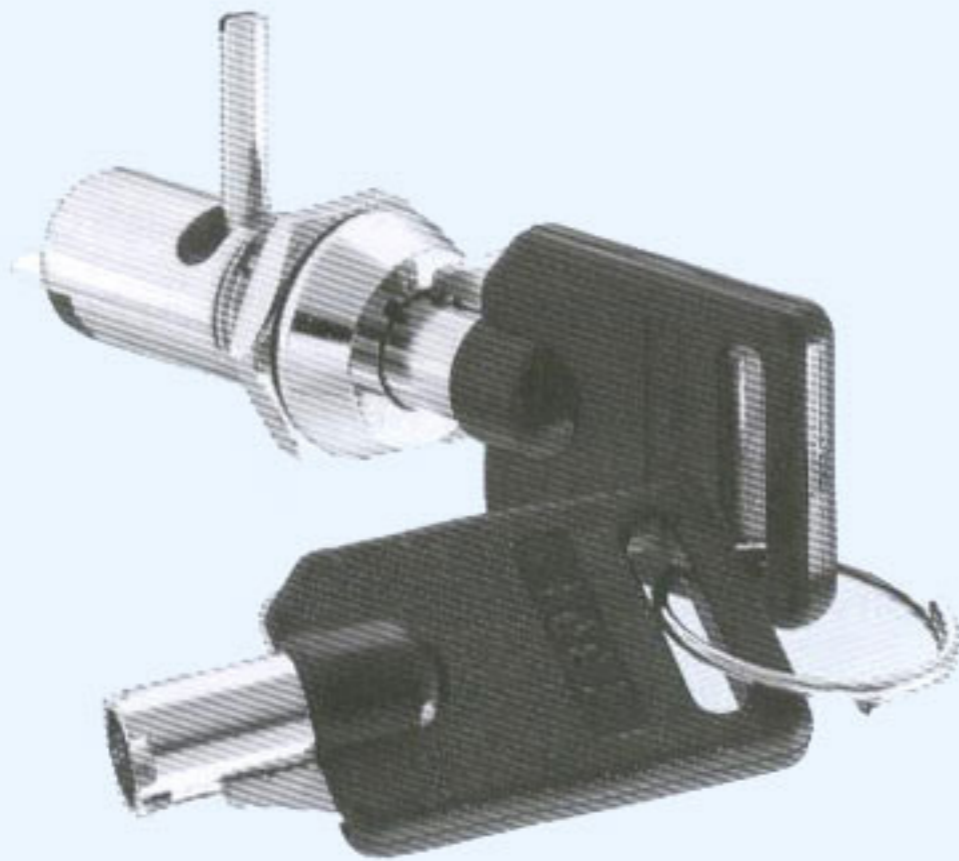
- -OFF POSITION
- -INDICATES KEY-PULL
- -INDICATES NO KEY-PULL



Fig.1

Fig No	Lock Number	Pole	Positions	Terminals	Key Pulls	Turn	↑	→	Type
1	S1097-2	1	2	2	2	90°	Off	On	SPST

S1098

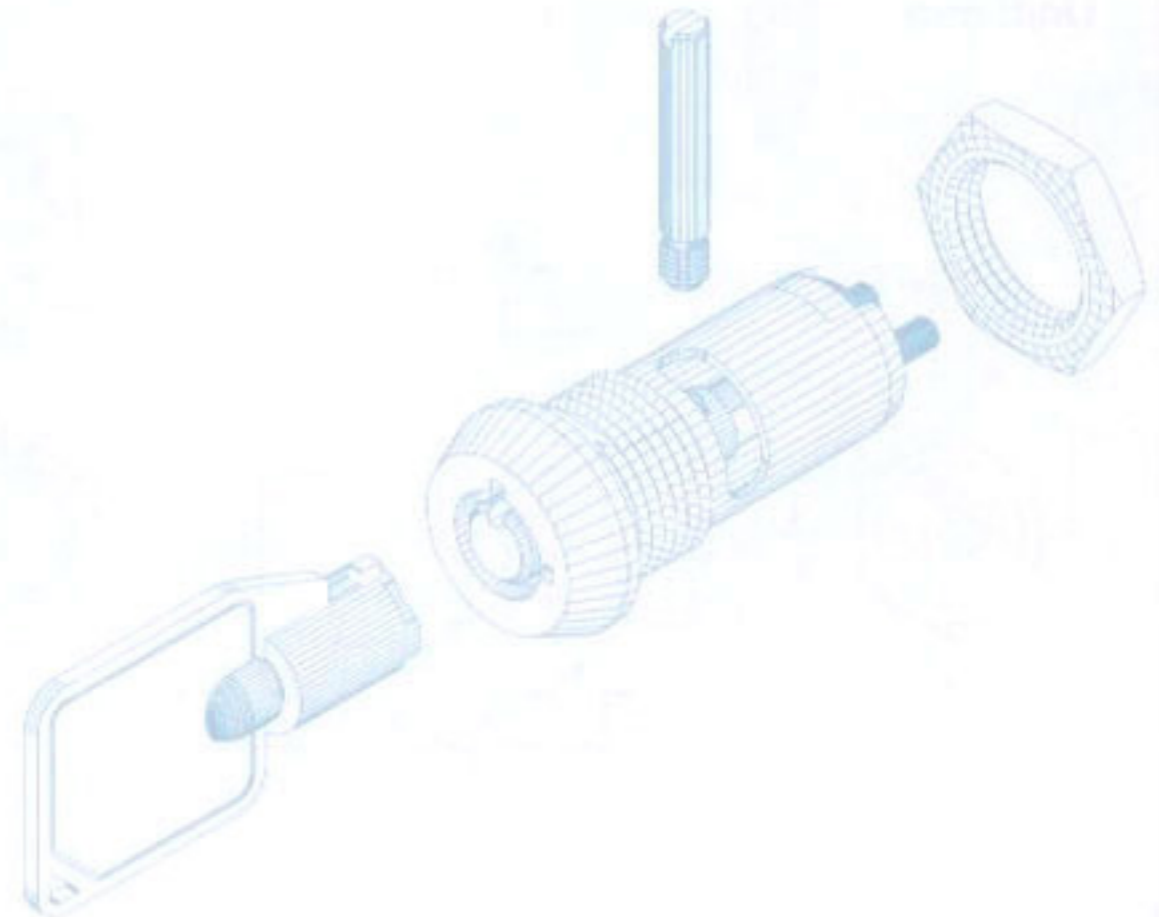
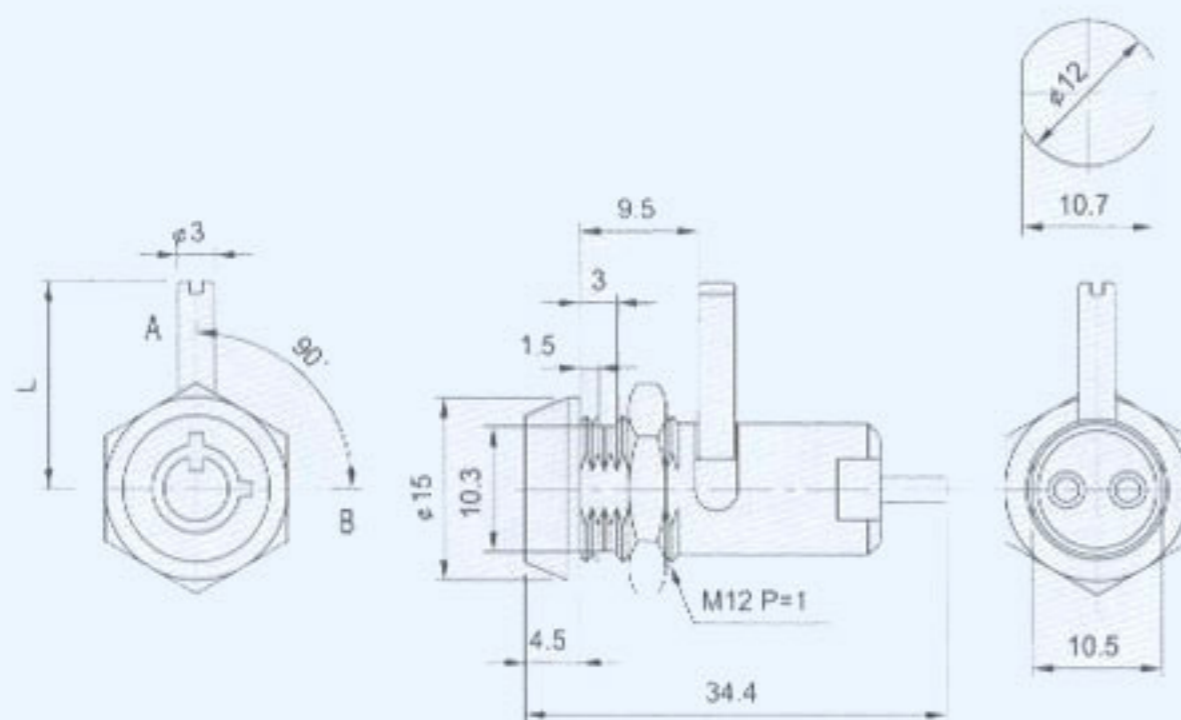


DESCRIPTION

- . Zinc alloy die cast housing and brass cylinder.
- . Bright chrome plated standard.
- . 4 pin tumbler mechanism.
- . Steel made tubular keys, nickel plated, with plastic cover.
- . "L" dimension 13mm standard; other dimensions available upon request.
- . Dual-functioned Key Lock Switch.
- . Key withdrawals in both positions only.
- . Silver plated contacts and terminals.
- . 2 position (off-on) 2 terminals.
- . Hex nut or speed clip mounted.
- . All keyed alike or one combination per 100pcs standard.
- . 200 combinations available.

Unit: mm

Recommended hole size



- -OFF POSITION
- -INDICATES KEY-PULL
- -INDICATES NO KEY-PULL



Fig.1

Fig No	Lock Number	Pole	Positions	Terminals	Key Pulls	Turn	↑	→	Type
1	S1098-2	1	2	2	2	90°	Off	On	SPST

DUAL-FUNCTIONED KEY LOCK SWITCH

S2096 series



DESCRIPTION

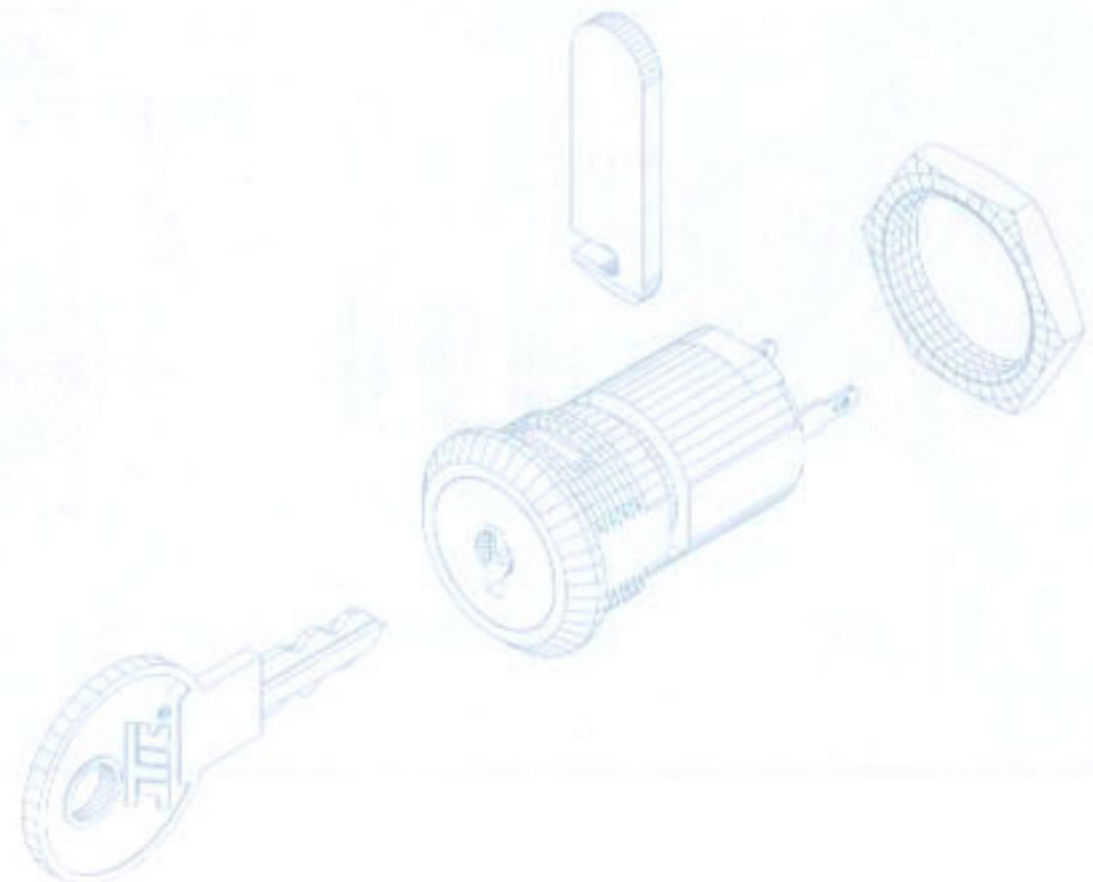
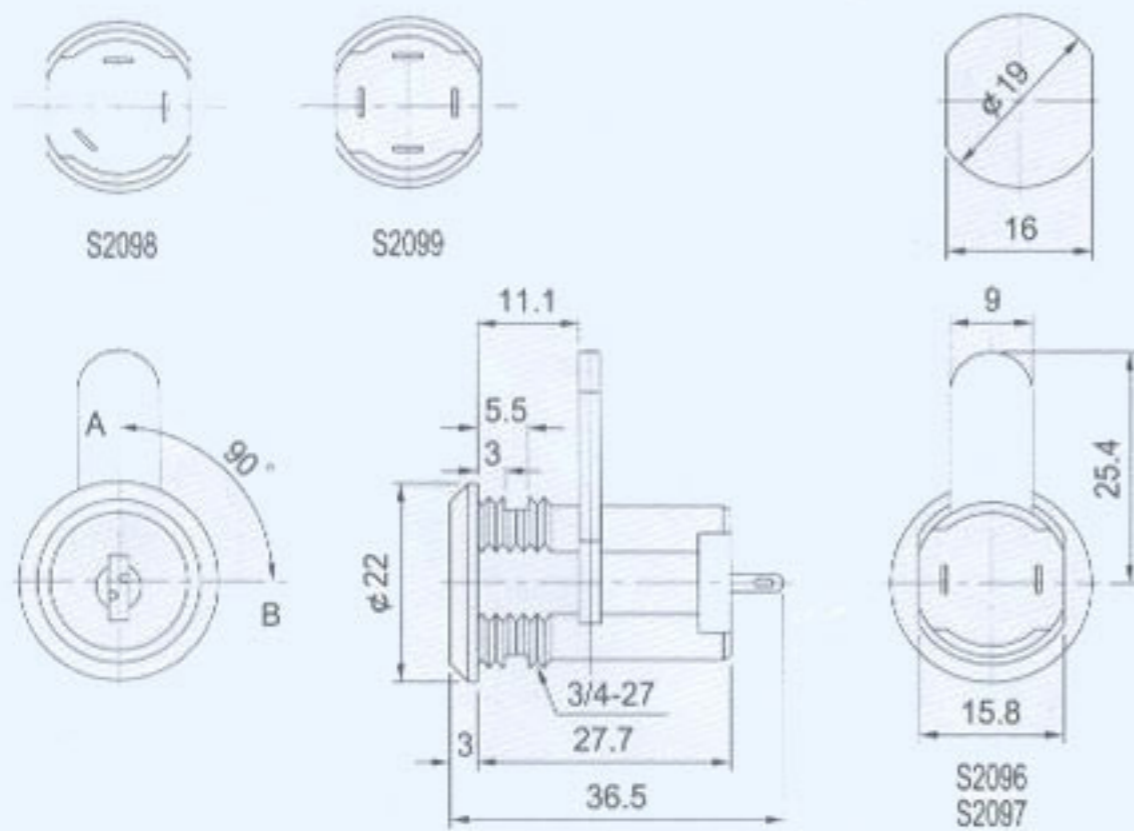
- . Zinc alloy die cast housing and cylinder.
- . Bright nickel plated standard.
- . 4 disc tumbler mechanism.
- . Reversible double-bitted brass keys, nickel plated.
- . Dual-functioned Key Lock Switch.
- . Key may be withdrawn in one or both positions.
- . Silver plated contacts and brass terminals.
- . S2096 2 position (off-on) 2 terminals.
- . S2097 2 position (on-off) 2 terminals.
- . S2098 2 position (on-on) 3 terminals.
- . S2099 2 position (on-on) 4 terminals.
- . Hex nut or speed clip mounted.
- . All keyed alike or 25 combinations standard.
- . 25 combinations available.

SPECIFICATION

- . Contact Rating: 4A 125VAC, 2A 250VAC.
- . Contact Resistance: 10 Milli - Ohms Max.
- . Insulation Resistance: 200 Meg - Ohms Min. (500VDC)
- . Dielectric Strength: 1000 VAC - 1 Minute.

Recommended hole size

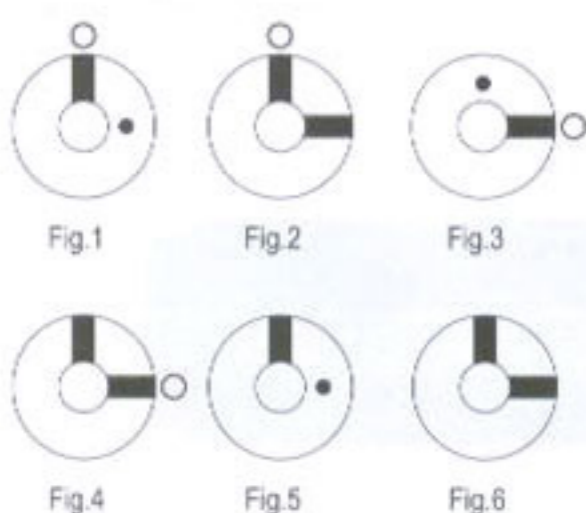
Unit: mm



○ -OFF POSITION

■ -INDICATES KEY-PULL

● -INDICATES NO KEY-PULL



FigNo	LockNumber	Pole	Positions	Terminal	KeyPulls	Turn	↑	→	Type
1	S2096-1	1	2	2	1	90°	Off	On	SPST
2	S2096-2	1	2	2	2	90°	Off	On	SPST
3	S2097-1	1	2	2	1	90°	On	Off	SPST
4	S2097-2	1	2	2	2	90°	On	Off	SPST
5	S2098-1	1	2	3	1	90°	On	On	SPDT
6	S2098-2	1	2	3	2	90°	On	On	SPDT
5	S2099-1	1	2	4	1	90°	On	On	SPDT
6	S2099-2	1	2	4	2	90°	On	On	SPDT