

Omnidirectional Electret Condenser Microphone Cartridge

YCM6022-W/6027-W

Appearance

YCM6022-W



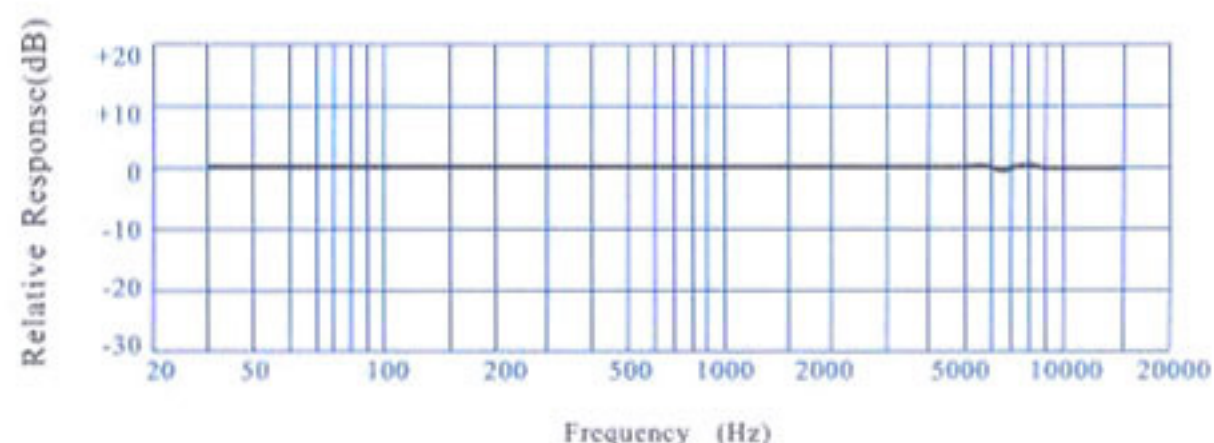
YCM6027-W



Sensitivity

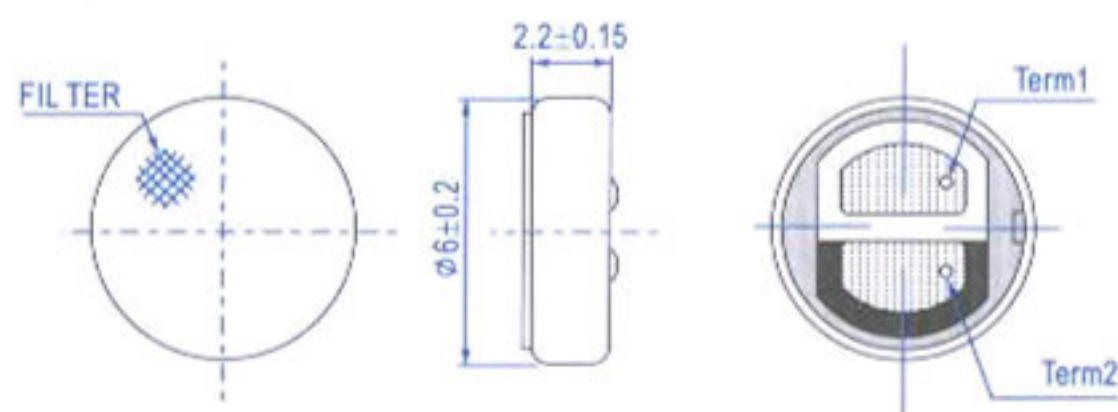
	-46±3dB
-45±4dB	-44±3dB
	-42±3dB

Typical Frequency Response Curve

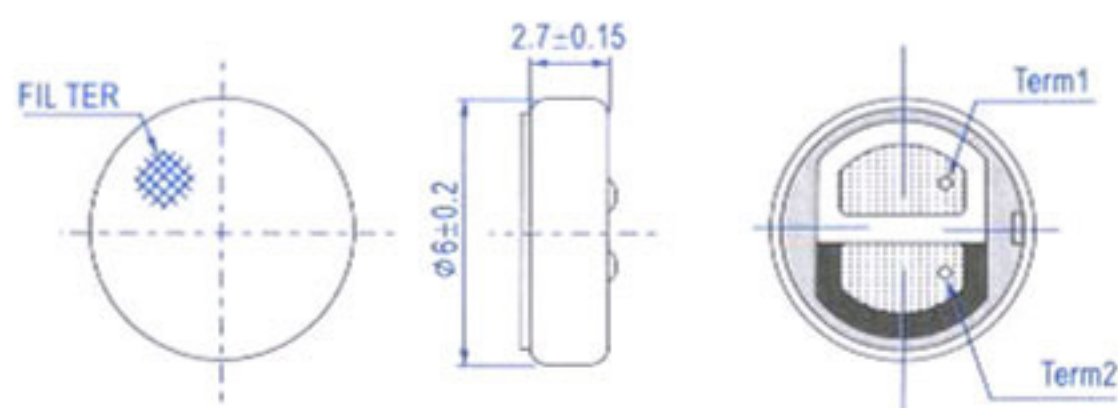


Dimensional Drawing

YCM6022-W



YCM6027-W

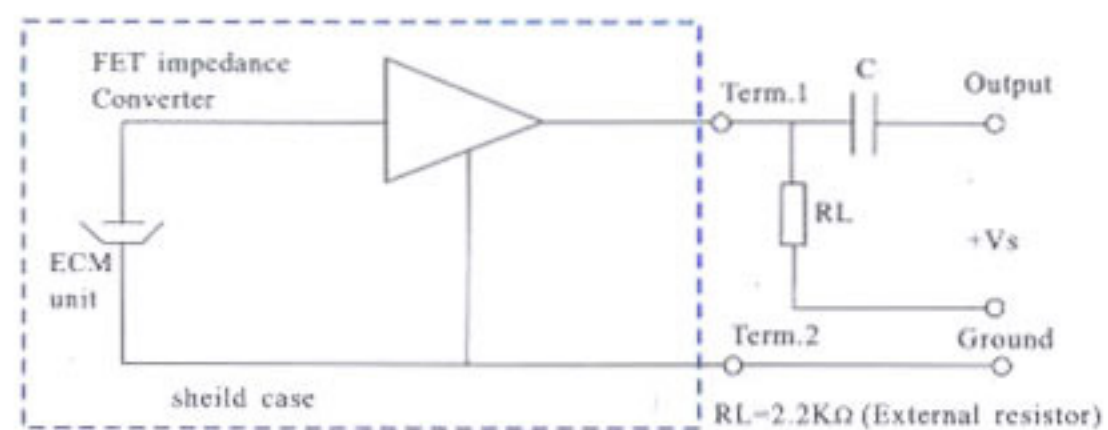


Std. Operating Conditions

$V_s=2.0V$
 $R_L=2.2k\Omega$

Schematic Diagram

YCM6022-W/6027-W



Specifications

Sensitivity:	-45±4dB (0dB=1V/Pa, 1KHz)
Impedance:	Less than 2.2kΩ
Directivity:	Omnidirectional
Frequency:	20-16,000Hz
Max.operation voltage:	10V
Standard operation voltage:	2V
Current consumption:	Max.0.5mA
Sensitivity reduction:	Within - 3dB at 1.5V
S/N ratio:	More than 58dB

Omnidirectional Electret Condenser Microphone Cartridge

YCM6022-P28

■ Appearance

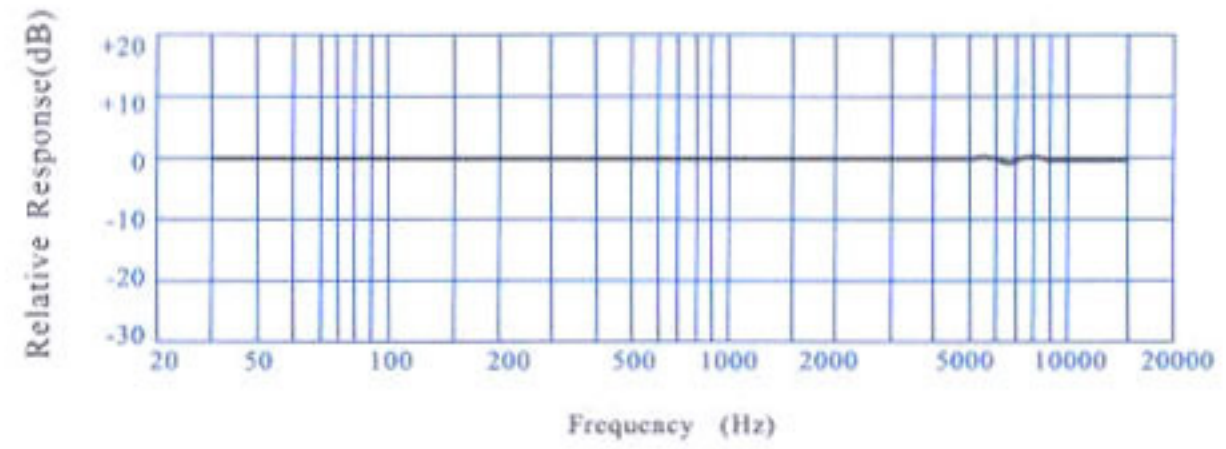
YCM6022-P28



■ Sensitivity

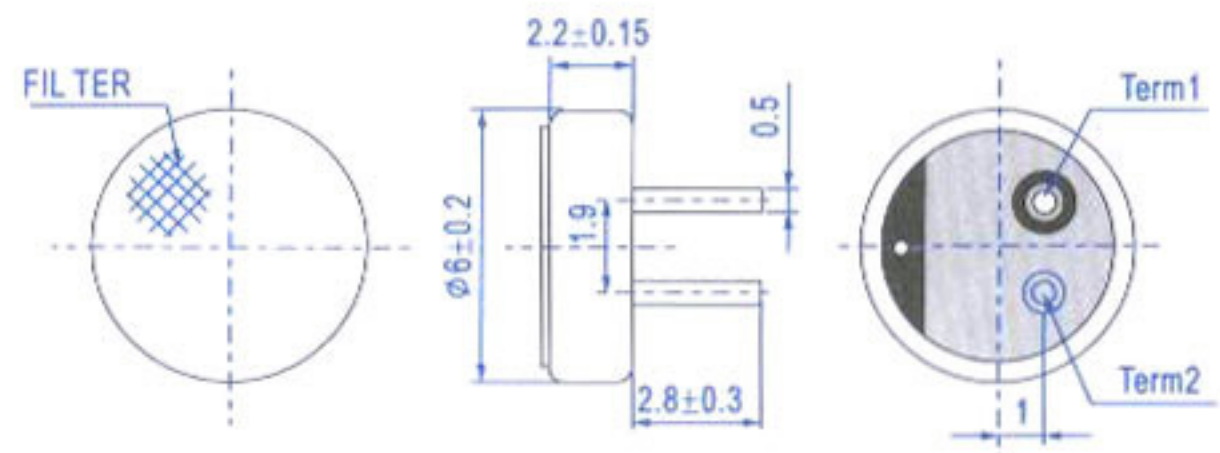
-46±3dB
 -45±4dB
 -44±3dB
 -42±3dB

■ Typical Frequency Response Curve



■ Dimensional Drawing

YCM6022-P28

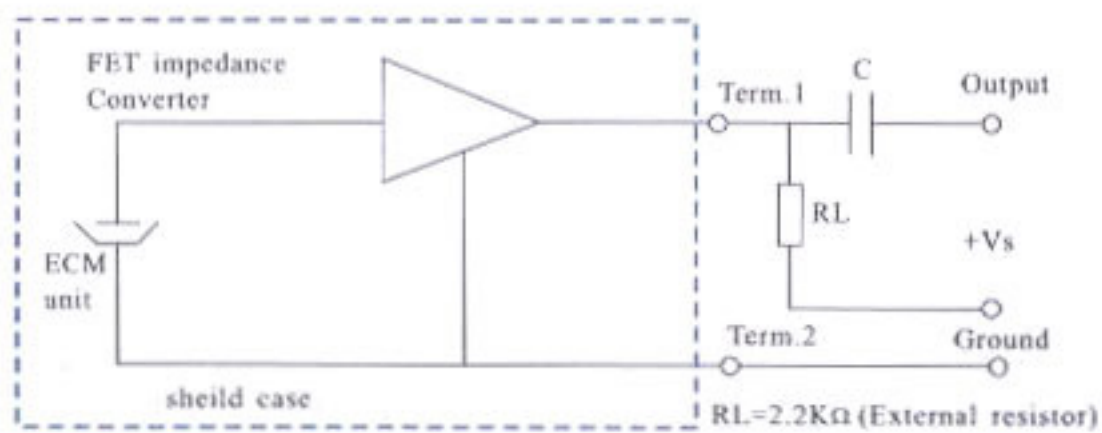


■ Std.Operating Conditions

Vs=2.0V
 RL=2.2kΩ

■ Schematic Diagram

YCM6022-P28



■ Specifications

Sensitivity: -45±4dB
 (0dB=1V/Pa, 1KHz)

Impedance: Less than 2.2kΩ

Directivity: Omnidirectional

Frequency: 20-16,000Hz

Max.operation voltage: 10V

Standard operation voltage: 2V

Current consumption: Max.0.5mA

Sensitivity reduction: Within - 3dB at 1.5V

S/N ratio: More than 58dB

Omnidirectional Electret Condenser Microphone Cartridge

YCM6027-P15/P28

■ Appearance

YCM6027-P15



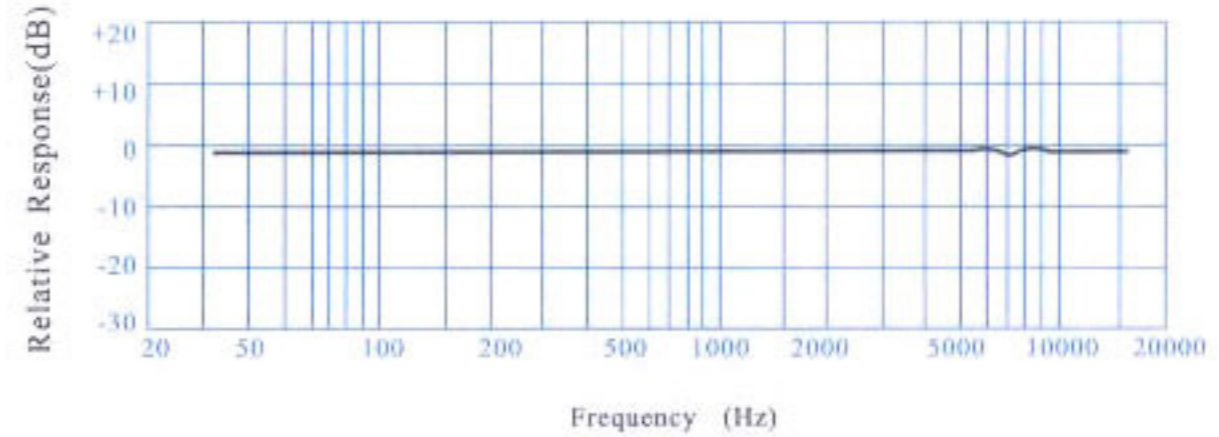
YCM6027-P28



■ Sensitivity

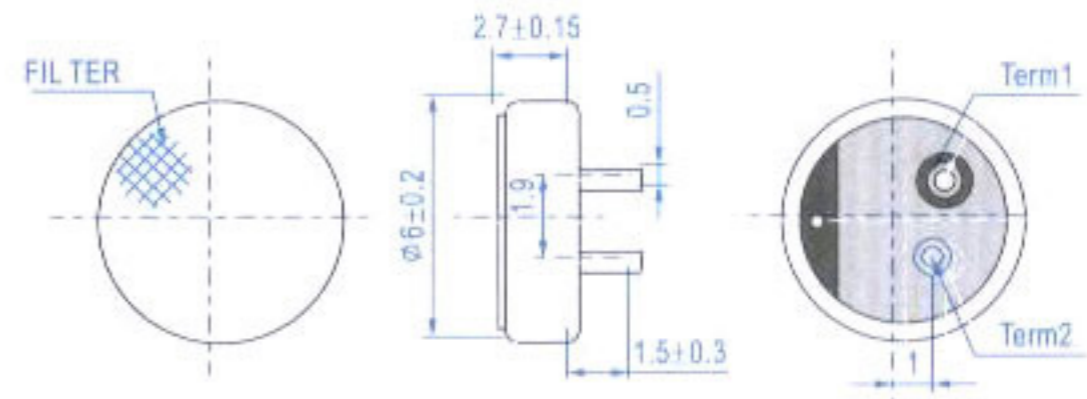
	-46±3dB
-45±4dB	-44±3dB
	-42±3dB

■ Typical Frequency Response Curve

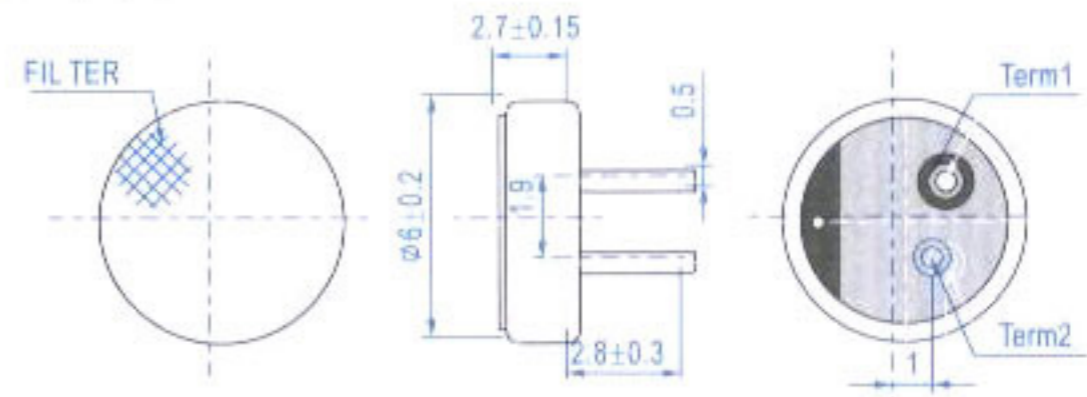


■ Dimensional Drawing

YCM6027-P15



YCM6027-P28

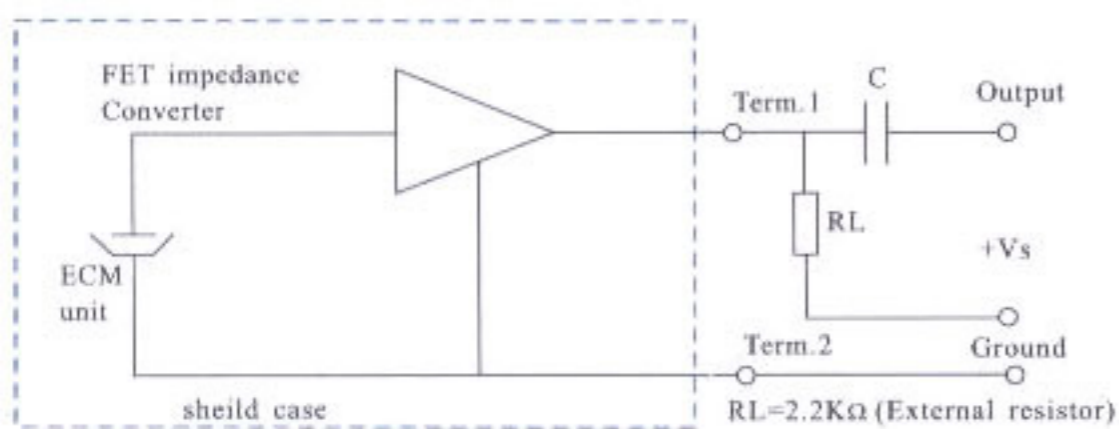


■ Std. Operating Conditions

Vs=2.0V
RL=2.2kΩ

■ Schematic Diagram

YCM6027-P15/P28



■ Specifications

Sensitivity:	-45±4dB (0dB=1V/Pa, 1KHz)
Impedance:	Less than 2.2kΩ
Directivity:	Omnidirectional
Frequency:	20-16,000Hz
Max.operation voltage:	10V
Standard operation voltage:	2V
Current consumption:	Max.0.5mA
Sensitivity reduction:	Within - 3dB at 1.5V
S/N ratio:	More than 58dB

Omnidirectional Electret Condenser Microphone Cartridge

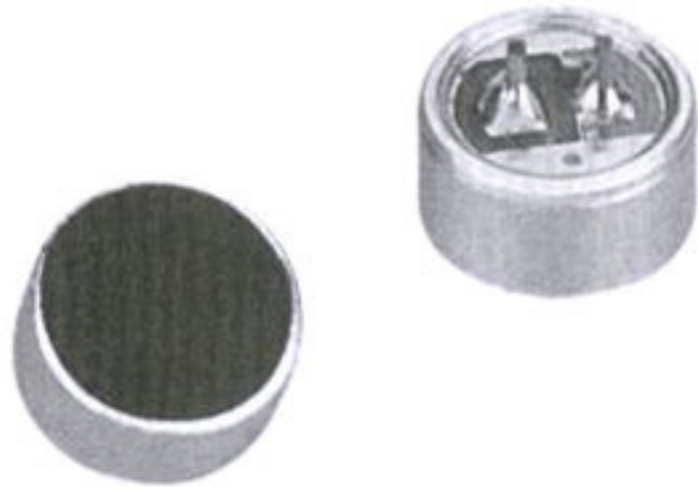
YCM6034-W/P15

■ Appearance

YCM6034-W



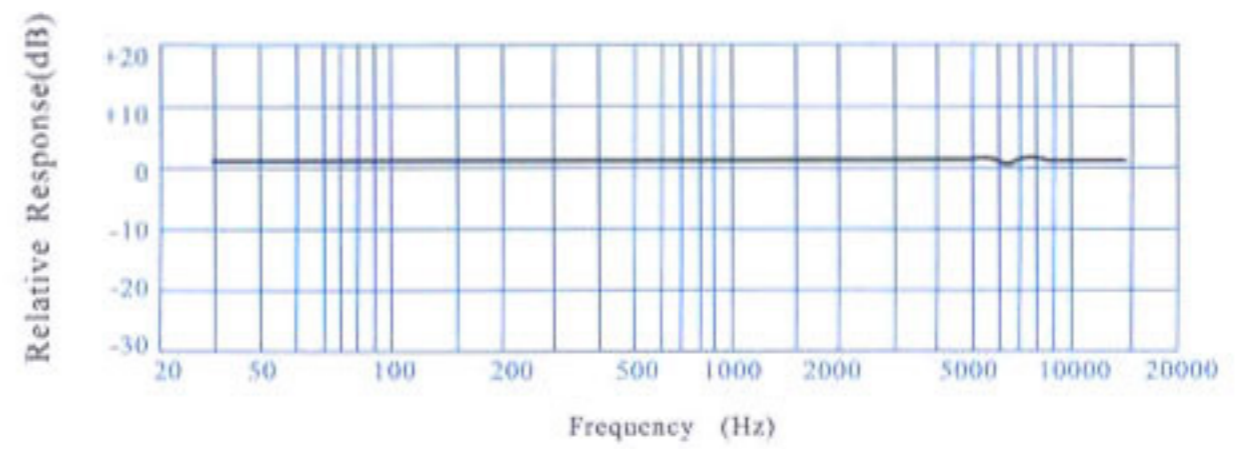
YCM6034-P15



■ Sensitivity

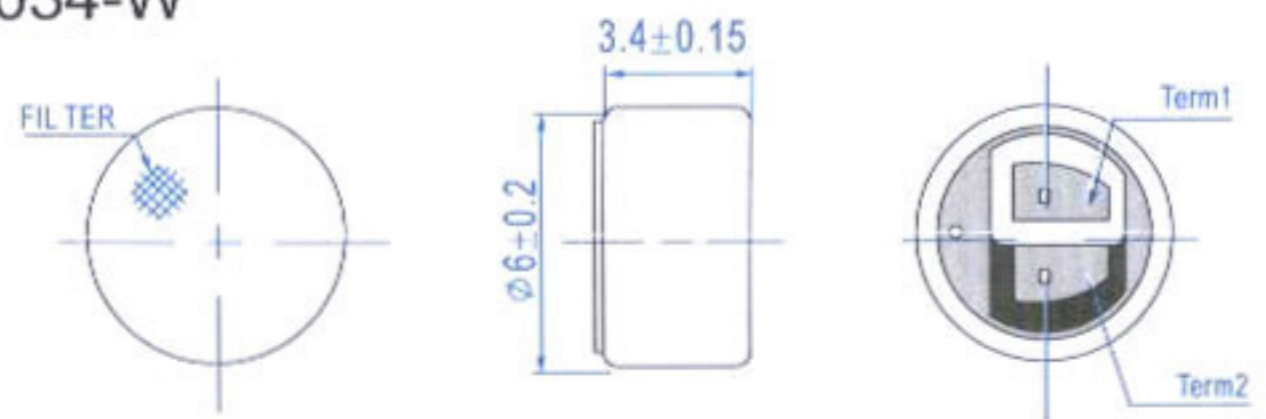
$-35 \pm 4\text{dB}$

■ Typical Frequency Response Curve

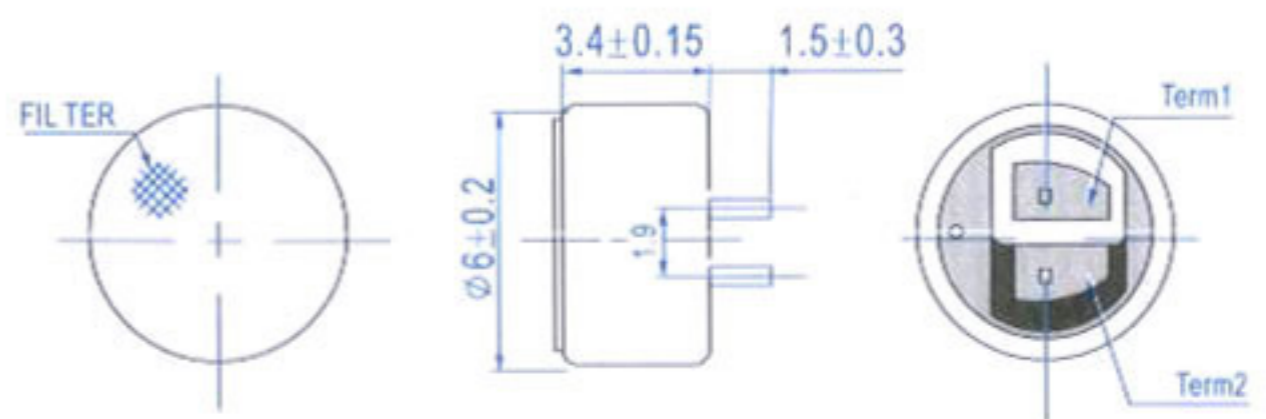


■ Dimensional Drawing

YCM6034-W



YCM6034-P15

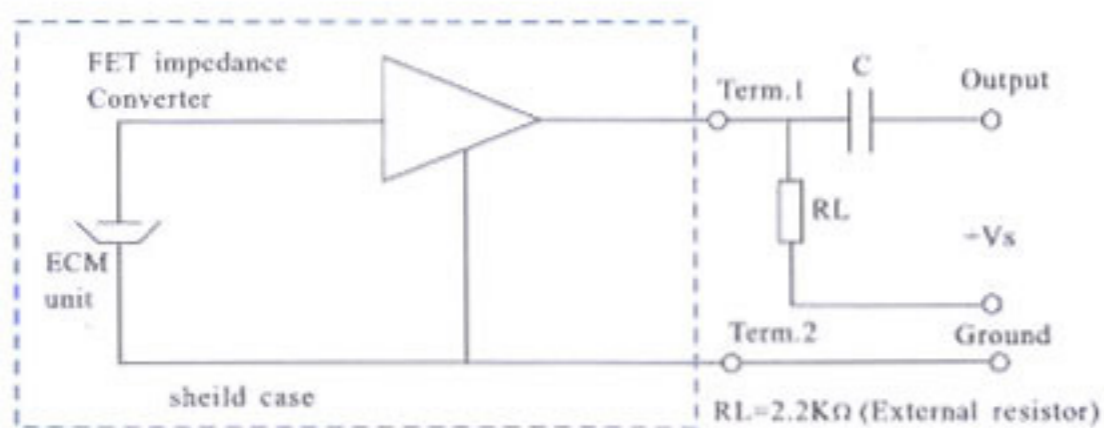


■ Std. Operating Conditions

$V_s=2.0\text{V}$
 $R_L=2.2\text{k}\Omega$

■ Schematic Diagram

YCM6034-W/P15



■ Specifications

Sensitivity:	$-35 \pm 4\text{dB}$ (0dB=1V/Pa, 1KHz)
Impedance:	Less than $2.2\text{k}\Omega$
Directivity:	Omnidirectional
Frequency:	20-20,000Hz
Max.operation voltage:	10V
Standard operation voltage:	2V
Current consumption:	Max.0.5mA
Sensitivity reduction:	Within - 3dB at 1.5V
S/N ratio:	More than 62dB

Omnidirectional Electret Condenser Microphone Cartridge

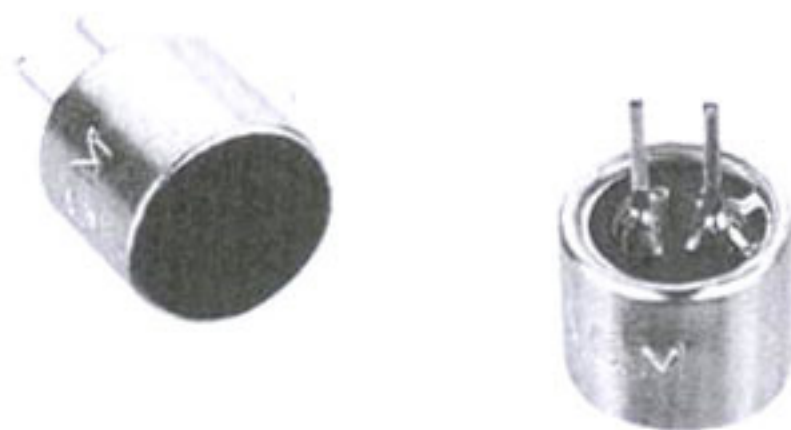
YCM6050-W/P45

■ Appearance

YCM6050-W



YCM6050-P45



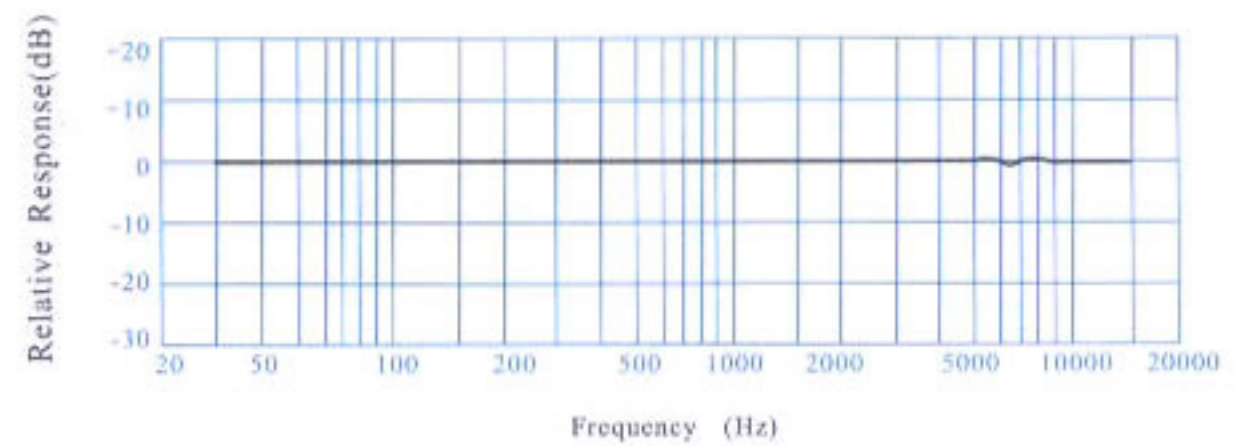
■ Sensitivity

$-46 \pm 3\text{dB}$

$-44 \pm 3\text{dB}$

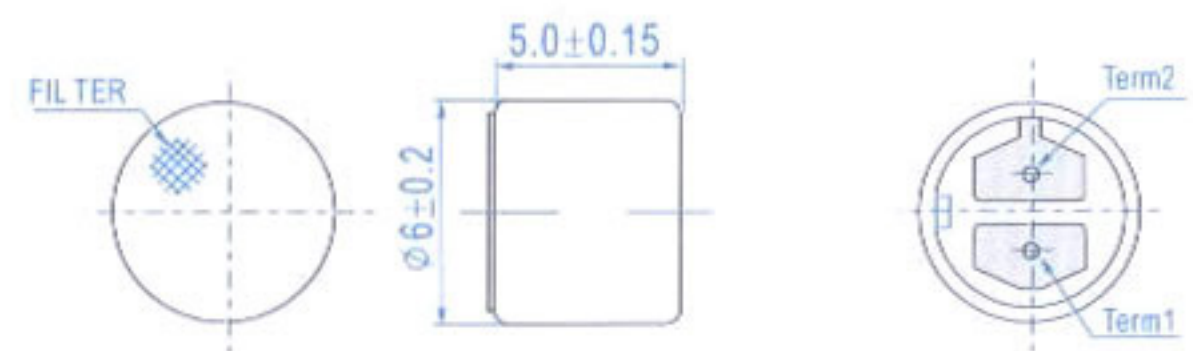
$-42 \pm 3\text{dB}$

■ Typical Frequency Response Curve

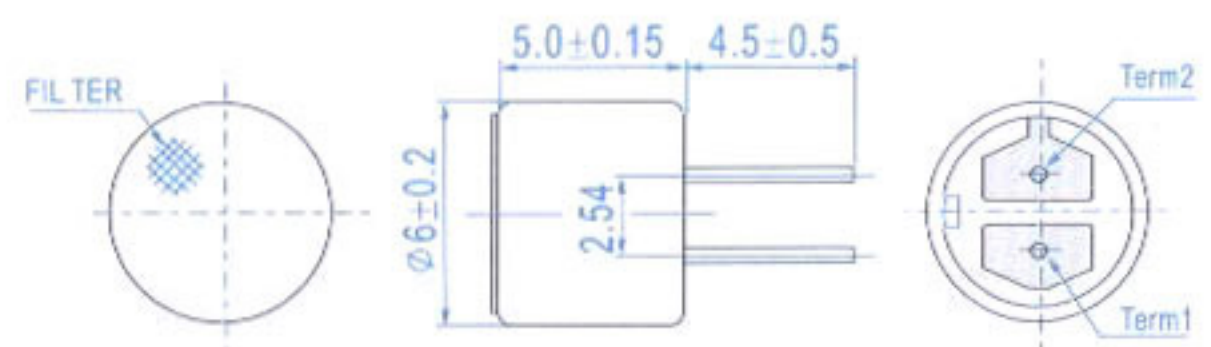


■ Dimensional Drawing

YCM6050-W



YCM6050-P45



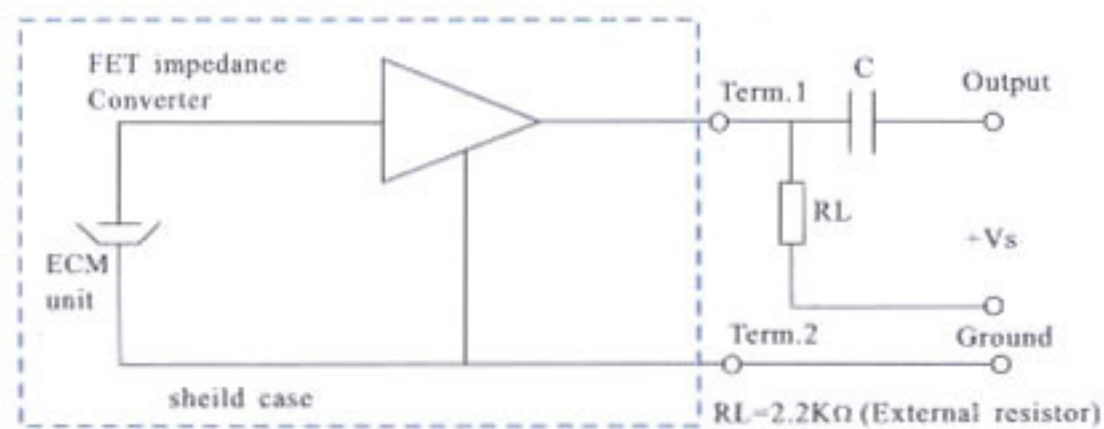
■ Std. Operating Conditions

$V_s = 2.0\text{V}$

$R_L = 2.2\text{k}\Omega$

■ Schematic Diagram

YCM6050-W/P45



■ Specifications

Sensitivity:

$-44 \pm 5\text{dB}$

(0dB=1V/Pa, 1KHz)

Impedance:

Less than $2.2\text{k}\Omega$

Directivity:

Omnidirectional

Frequency:

20-20,000Hz

Max.operation voltage:

10V

Standard operation voltage:

2V

Current consumption:

Max.0.5mA

Sensitivity reduction:

Within - 3dB at 1.5V

S/N ratio:

More than 58dB

Omnidirectional Electret Condenser Microphone Cartridge

YCM9745-W/P45

■ Appearance

YCM9745-W



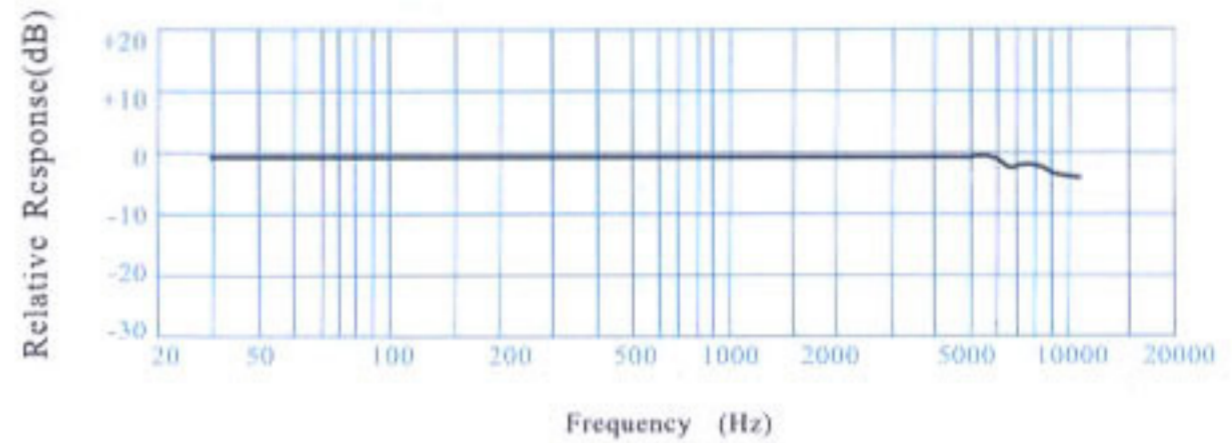
YCM9745-P45



■ Sensitivity

- 46±3dB
- 44±3dB -44±2dB
- 42±3dB -42±2dB
- 40±3dB

■ Typical Frequency Response Curve

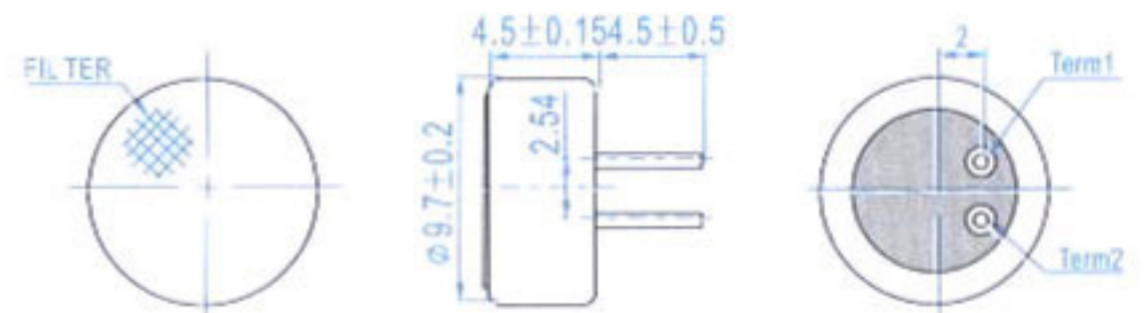


■ Dimensional Drawing

YCM9745-W



YCM9745-P45

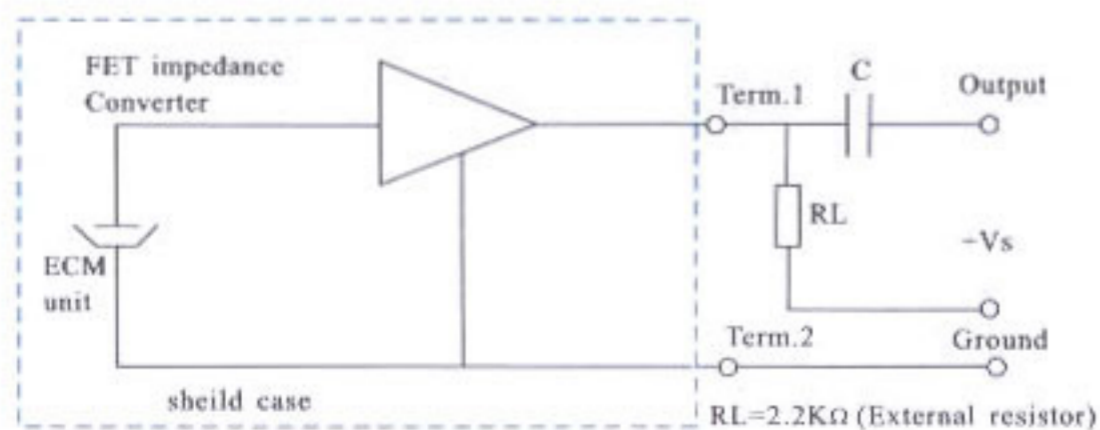


■ Std.Operating Conditions

Vs=2.5V
RL=2.2kΩ

■ Schematic Diagram

YCM9745-W/P45



■ Specifications

Sensitivity:	See above (0dB=1V/Pa, 1KHz)
Impedance:	Less than 2.2kΩ
Directivity:	Omnidirectional
Frequency:	20-20,000Hz
Max.operation voltage:	10V
Standard operation voltage:	2.5V
Current consumption:	Max.0.5mA
Sensitivity reduction:	Within - 3dB at 1.5V
S/N ratio:	More than 58dB

Omnidirectional Electret Condenser Microphone Cartridge

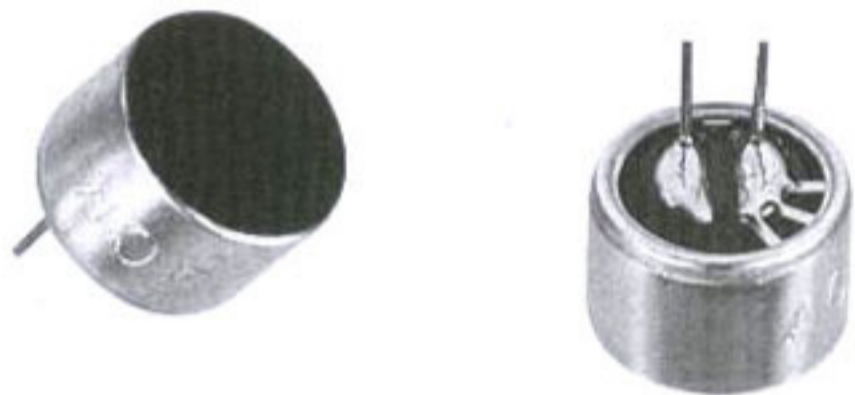
YCM9465-W/P45

Appearance

YCM9465-W

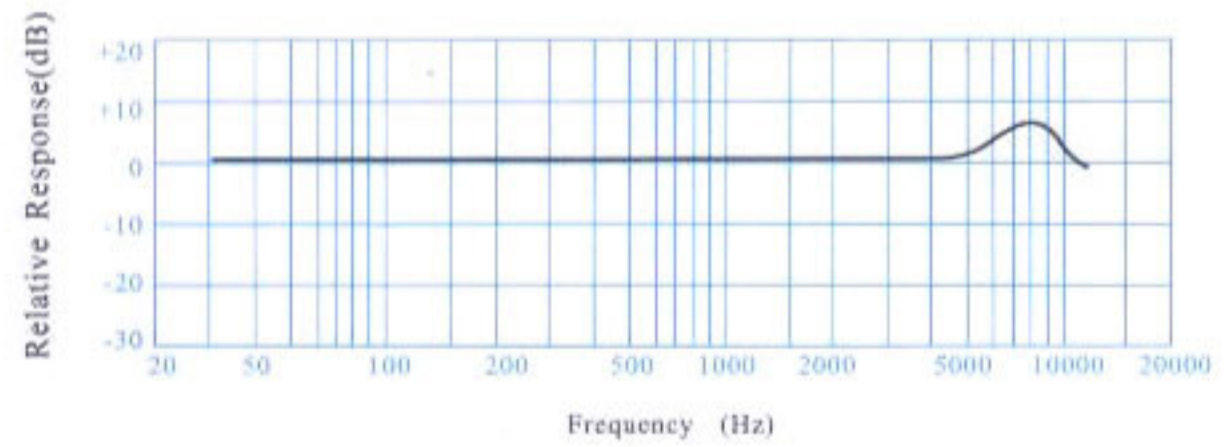


YCM9465-P45



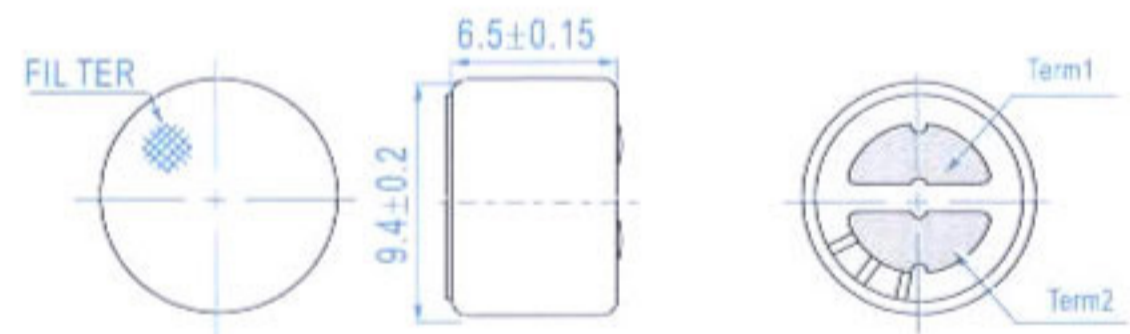
- Sensitivity $-48 \pm 2\text{dB}$
- $-46 \pm 2\text{dB}$
- $-44 \pm 2\text{dB}$
- $-42 \pm 2\text{dB}$

Typical Frequency Response Curve

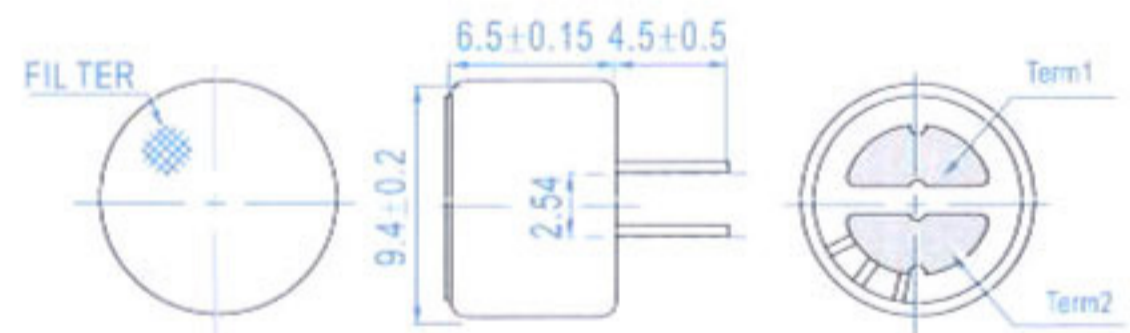


Dimensional Drawing

YCM9465-W



YCM9465-P45

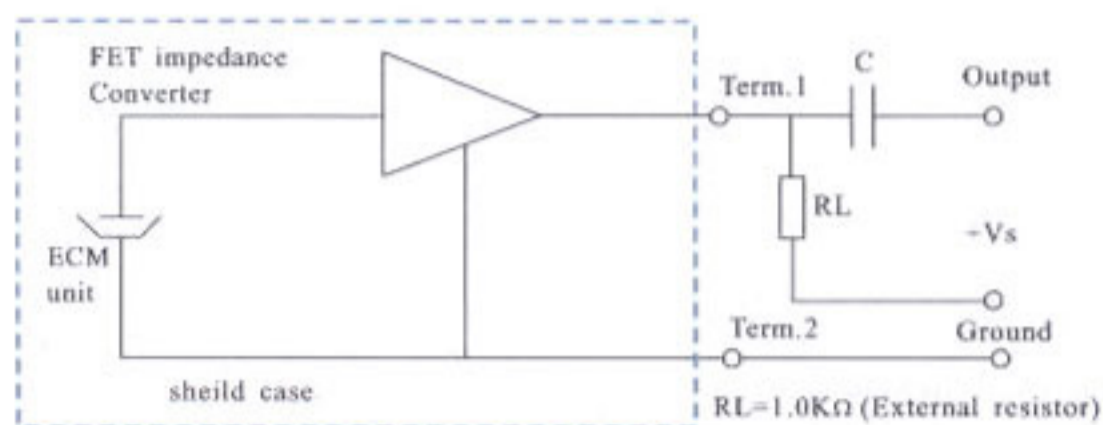


Std. Operating Conditions

$V_s = 4.5\text{V}$
 $R_L = 1.0\text{k}\Omega$

Schematic Diagram

YCM9465-W/P45



Specifications

Sensitivity:	See above (0dB=1V/Pa, 1KHz)
Impedance:	Less than 1.0kΩ
Directivity:	Omnidirectional
Frequency:	20-16,000Hz
Max.operation voltage:	10V
Standard operation voltage:	4.5V
Current consumption:	Max.0.5mA
Sensitivity reduction:	Within - 3dB at 1.5V
S/N ratio:	More than 60dB

Omnidirectional Electret Condenser Microphone Cartridge

YCM9765-W/P45

■ Appearance

YCM9765-W



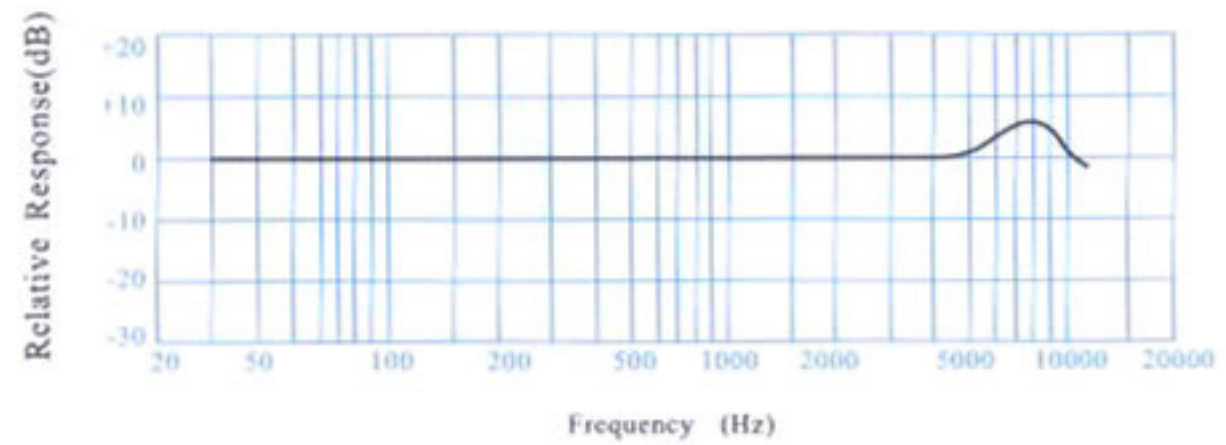
YCM9765-P45



■ Sensitivity

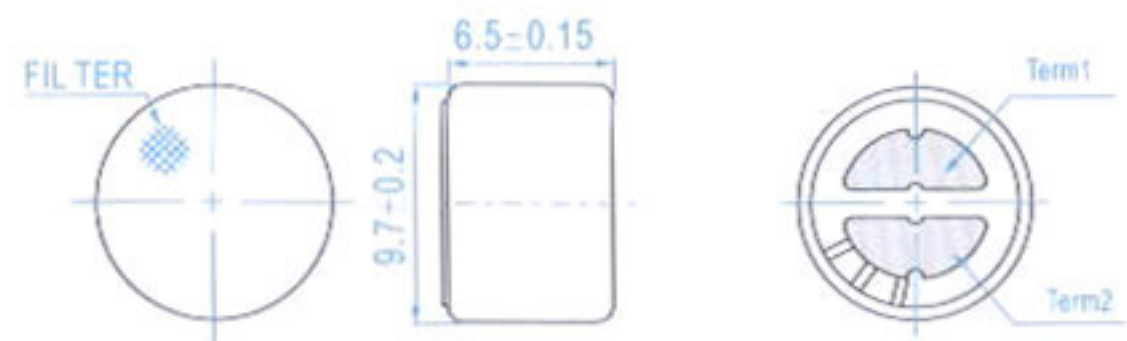
-44±2dB	-38±2dB
-42±2dB	-36±2dB
-40±2dB	

■ Typical Frequency Response Curve

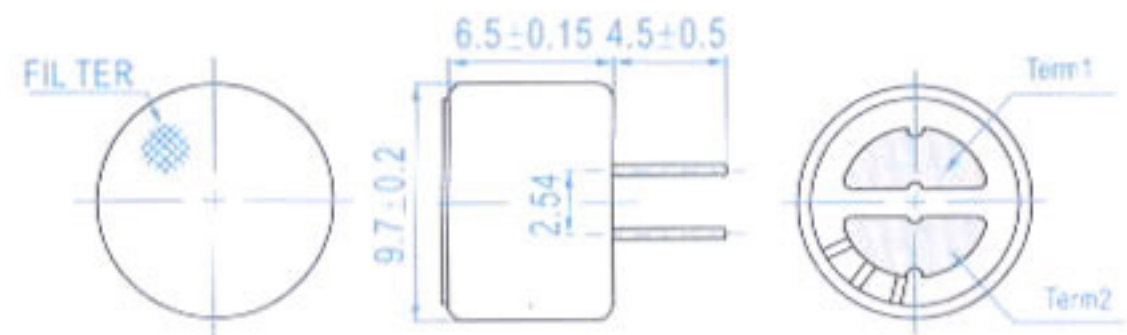


■ Dimensional Drawing

YCM9765-W



YCM9765-P45

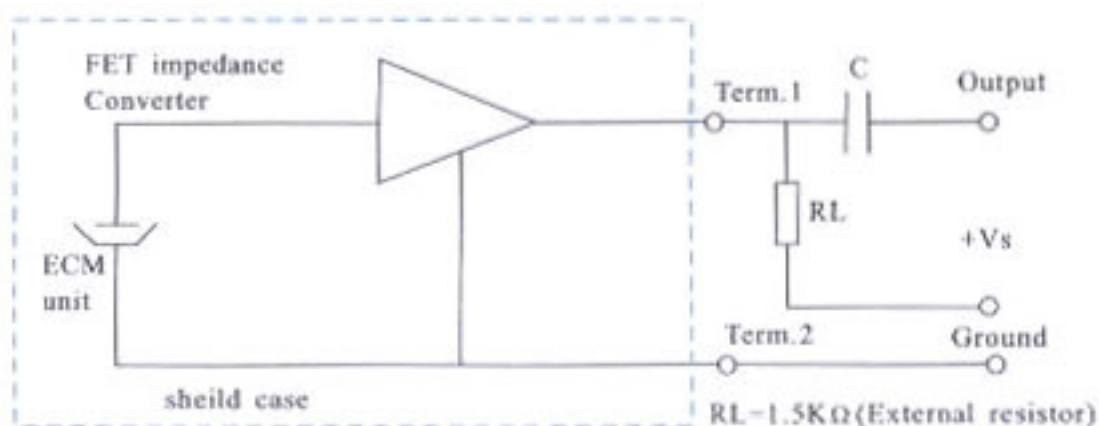


■ Std.Operating Conditions

Vs=1.5V
RL=1.5kΩ

■ Schematic Diagram

YCM9765-W/P45



■ Specifications

Sensitivity:	See above (0dB=1V/Pa, 1KHz)
Impedance:	Less than 1.5kΩ
Directivity:	Omnidirectional
Frequency:	20-16,000Hz
Max.operation voltage:	10V
Standard operation voltage:	1.5V
Current consumption:	Max.0.5mA
Sensitivity reduction:	Within - 3dB at 1.5V
S/N ratio:	More than 60dB

Unidirectional Electret Condenser Microphone Cartridge

YCM9750U-W

■ Appearance

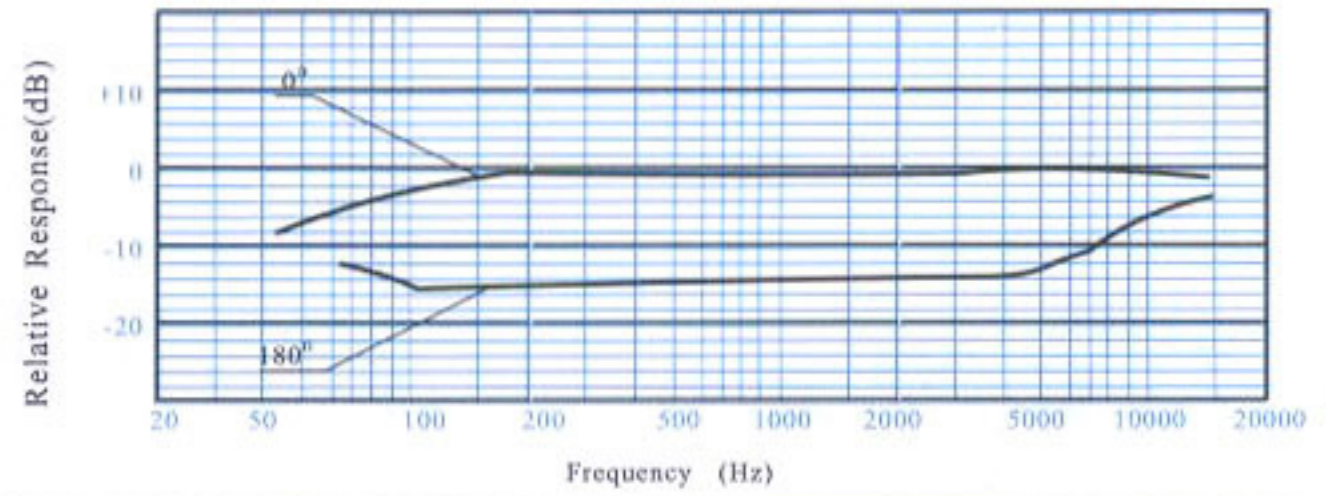
YCM9750U-W



■ Sensitivity

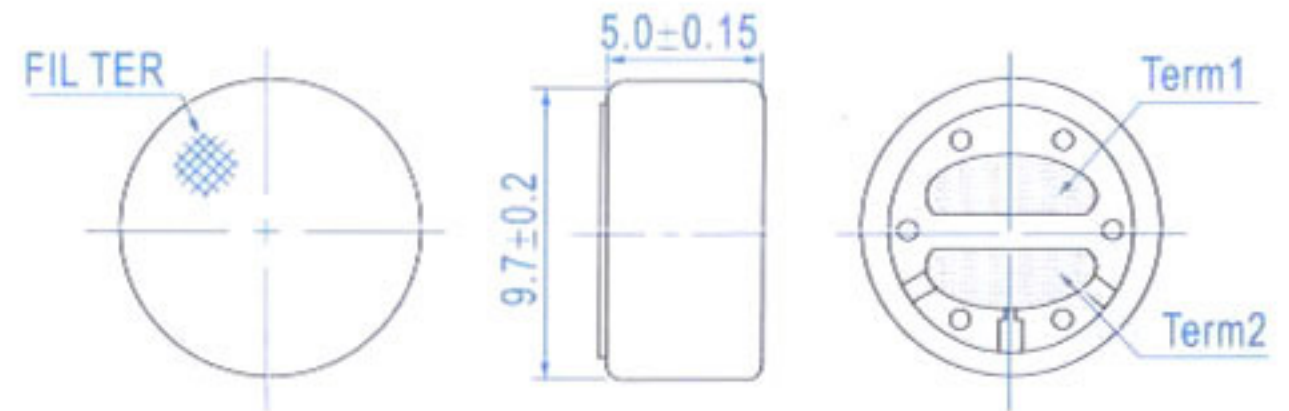
$-47 \pm 4\text{dB}$

■ Typical Frequency Response Curve



■ Dimensional Drawing

YCM9750U-W

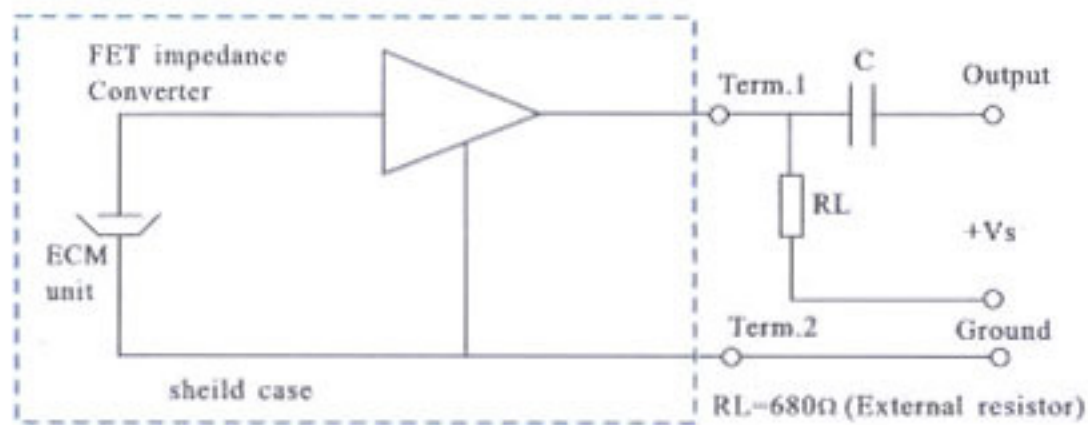


■ Std. Operating Conditions

$V_s = 1.5\text{V}$
 $R_L = 680\Omega$

■ Schematic Diagram

YCM9750U-W



■ Specifications

Sensitivity:	$-47 \pm 4\text{dB}$ (0dB=1V/Pa, 1KHz)
Impedance:	Less than 680Ω
Directivity:	Unidirectional
Frequency:	100-16,000Hz
Max.operation voltage:	10V
Standard operation voltage:	1.5V
Current consumption:	Max.0.5mA
Sensitivity reduction:	Within - 3dB at 1.5V
S/N ratio:	More than 60dB