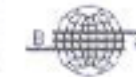
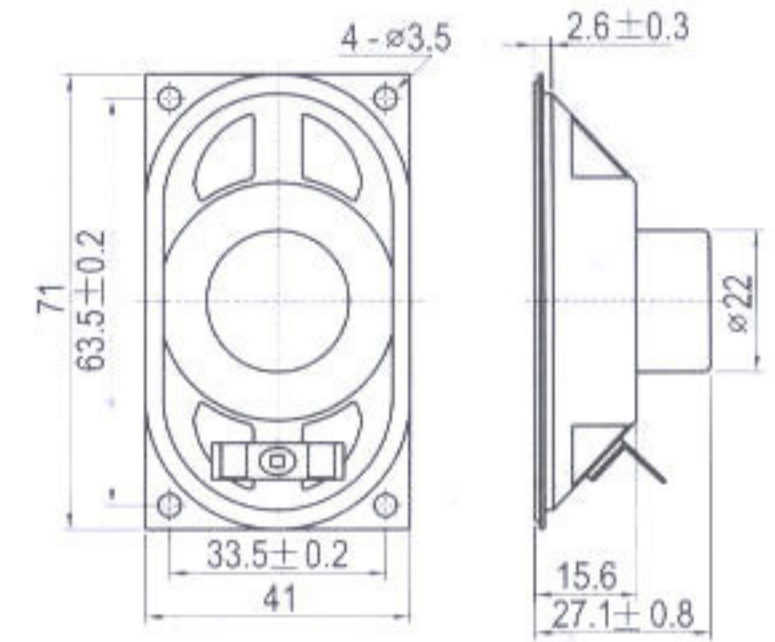
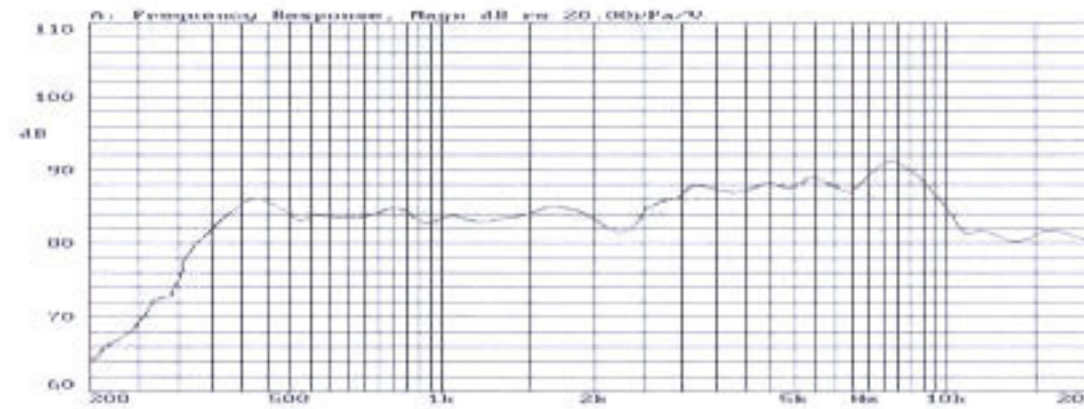


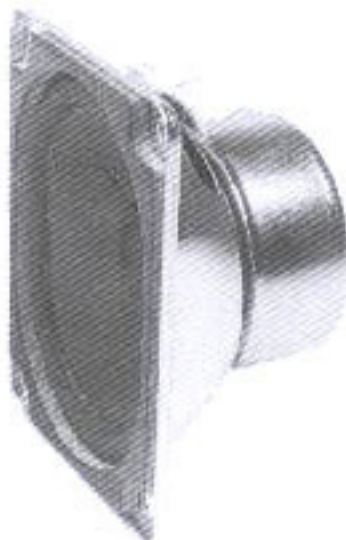
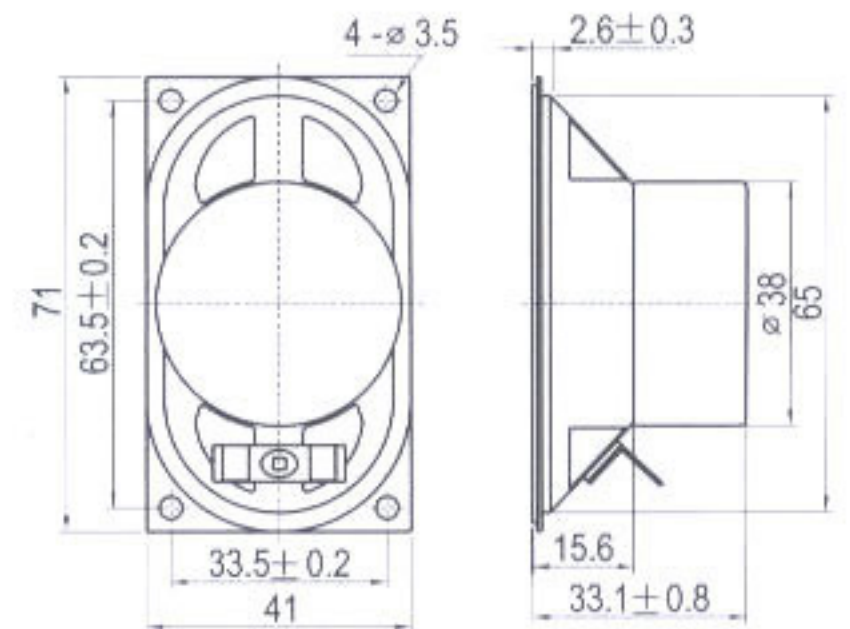
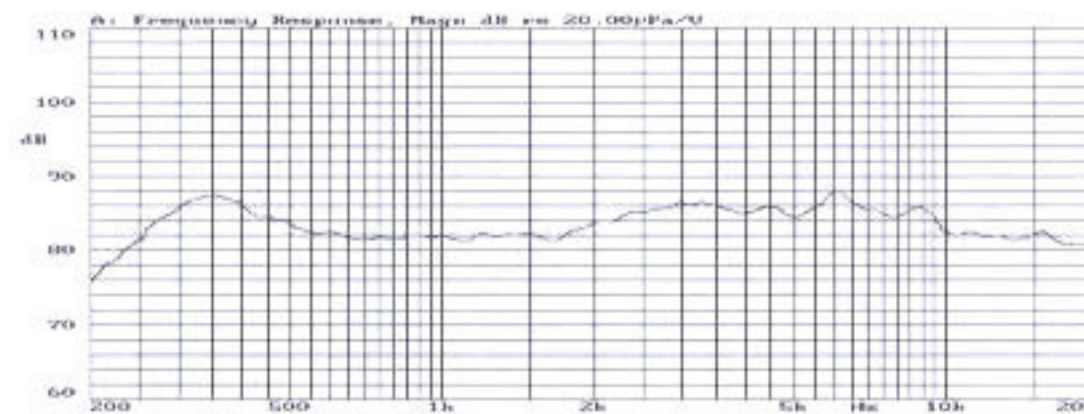
YDP4070-11

Rated Impedance (Ω)	$8 \pm 15\%$
Rated (Max) Power (W)	2 (5)
Resonance Frequency (Hz)	$300 \pm 20\%$
Rated Freq. Range (Hz)	$f_s \sim 20000$
Sound Pressure Level (dB/1m, 1w)	83 ± 3
Weight (g)	40
Operating Temperature ($^{\circ}\text{C}$)	$-10 \sim +40$



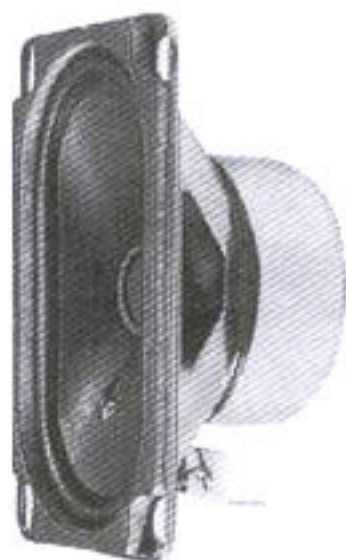
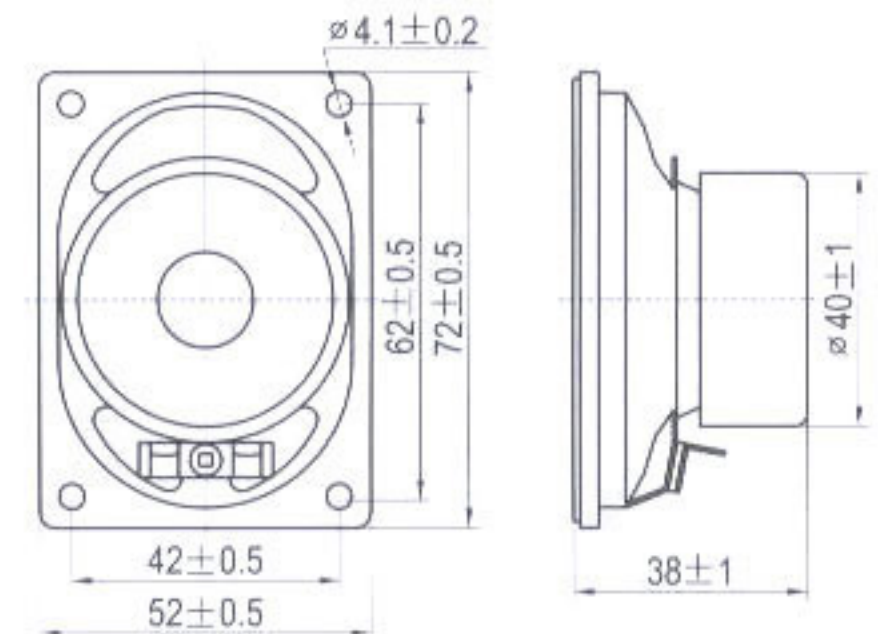
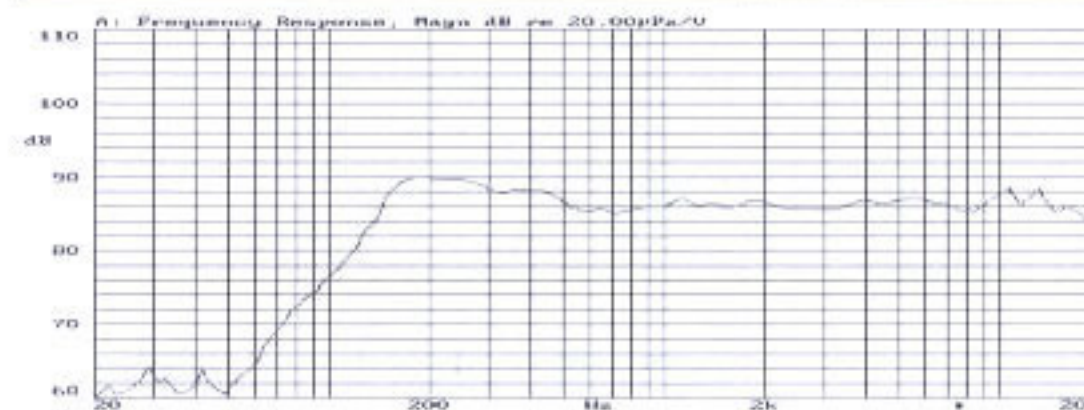
YDP4070-12

Rated Impedance (Ω)	$8 \pm 15\%$
Rated (Max) Power (W)	2 (5)
Resonance Frequency (Hz)	$300 \pm 20\%$
Rated Freq. Range (Hz)	$f_s \sim 20000$
Sound Pressure Level (dB/1m, 1w)	85 ± 2
Weight (g)	105
Operating Temperature ($^{\circ}\text{C}$)	$-10 \sim +40$



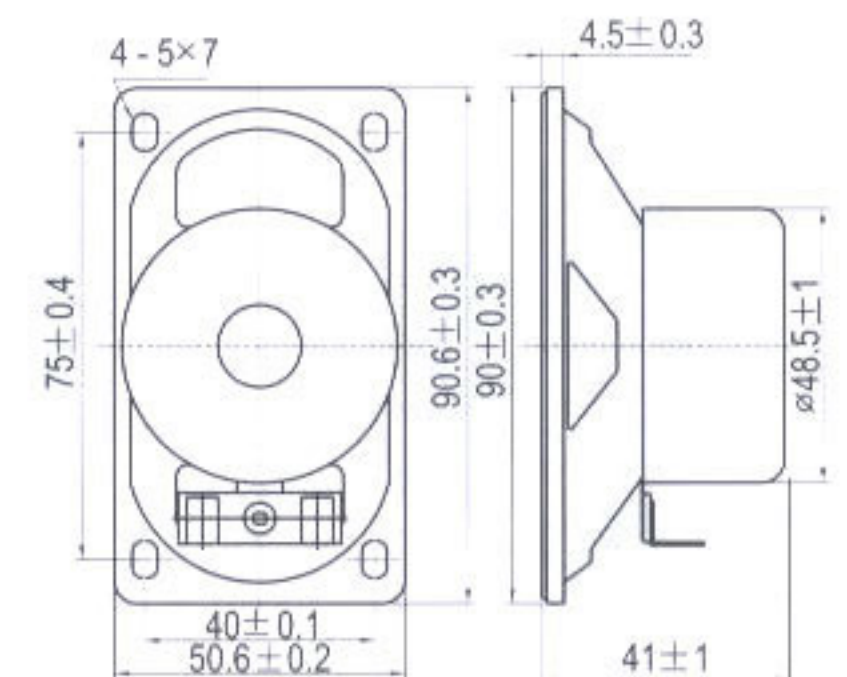
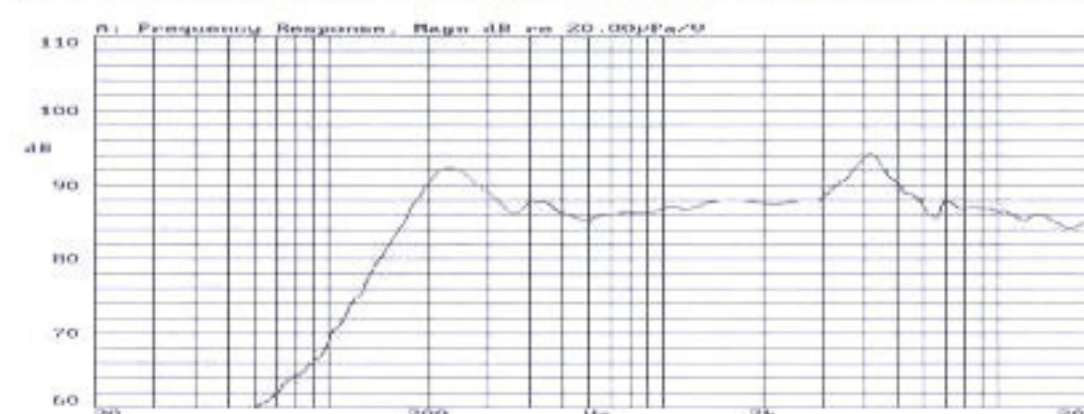
YDP5070-11

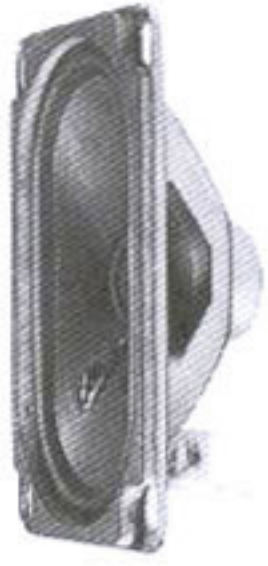
Rated Impedance (Ω)	$8 \pm 15\%$
Rated (Max) Power (W)	3 (5)
Resonance Frequency (Hz)	$170 \pm 20\%$
Rated Freq. Range (Hz)	$f_s \sim 20000$
Sound Pressure Level (dB/1m, 1w)	84 ± 2
Weight (g)	128
Operating Temperature ($^{\circ}\text{C}$)	$-10 \sim +40$



YDP5090-11

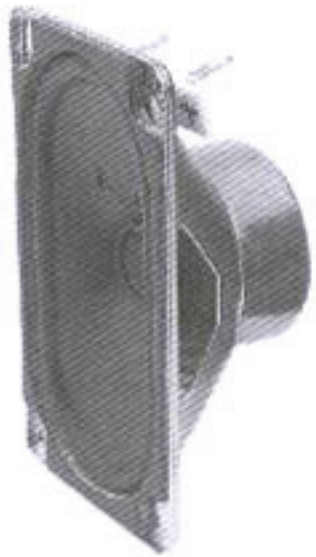
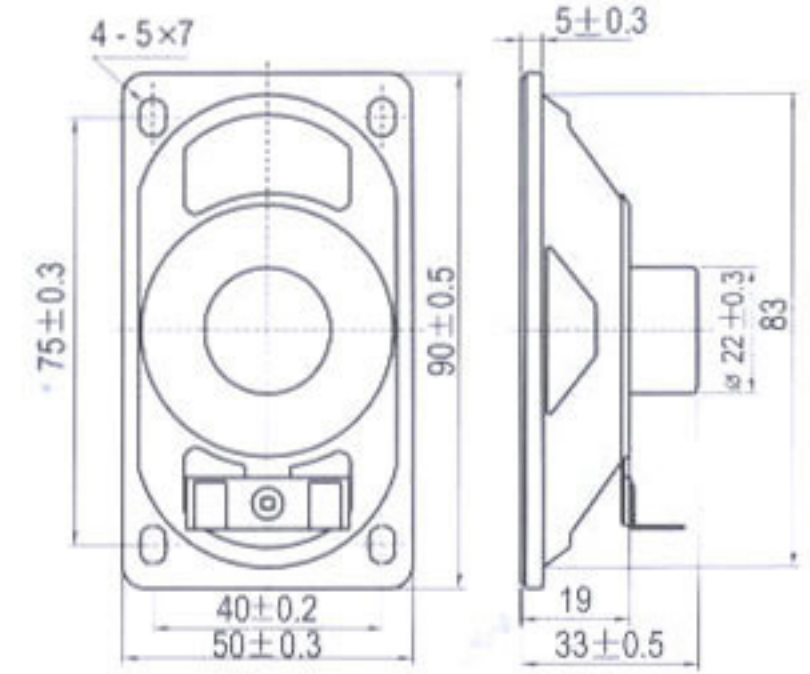
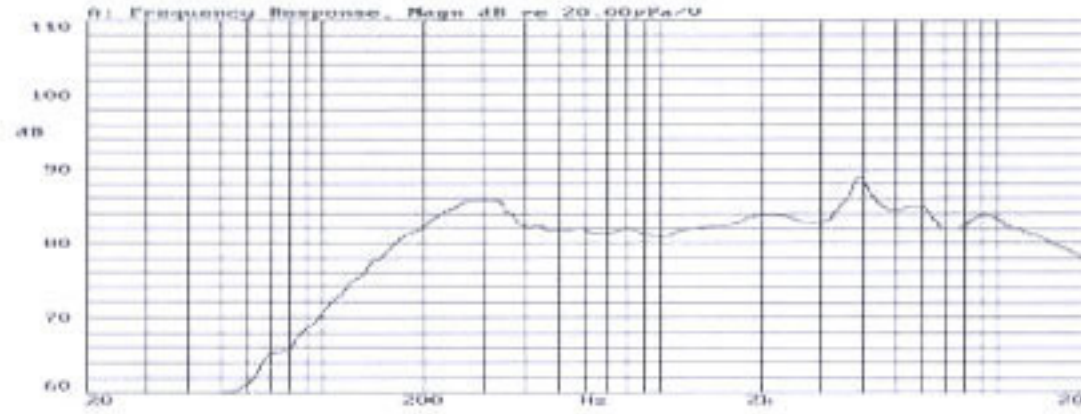
Rated Impedance (Ω)	$8 \pm 15\%$
Rated (Max) Power (W)	3 (5)
Resonance Frequency (Hz)	$200 \pm 20\%$
Rated Freq. Range (Hz)	$f_s \sim 18000$
Sound Pressure Level (dB/1m, 1w)	86 ± 3
Weight (g)	186
Operating Temperature ($^{\circ}\text{C}$)	$-10 \sim +40$





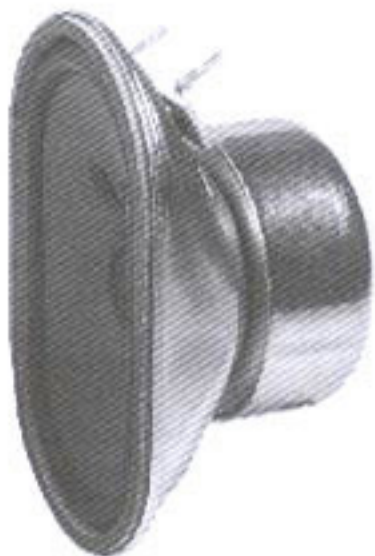
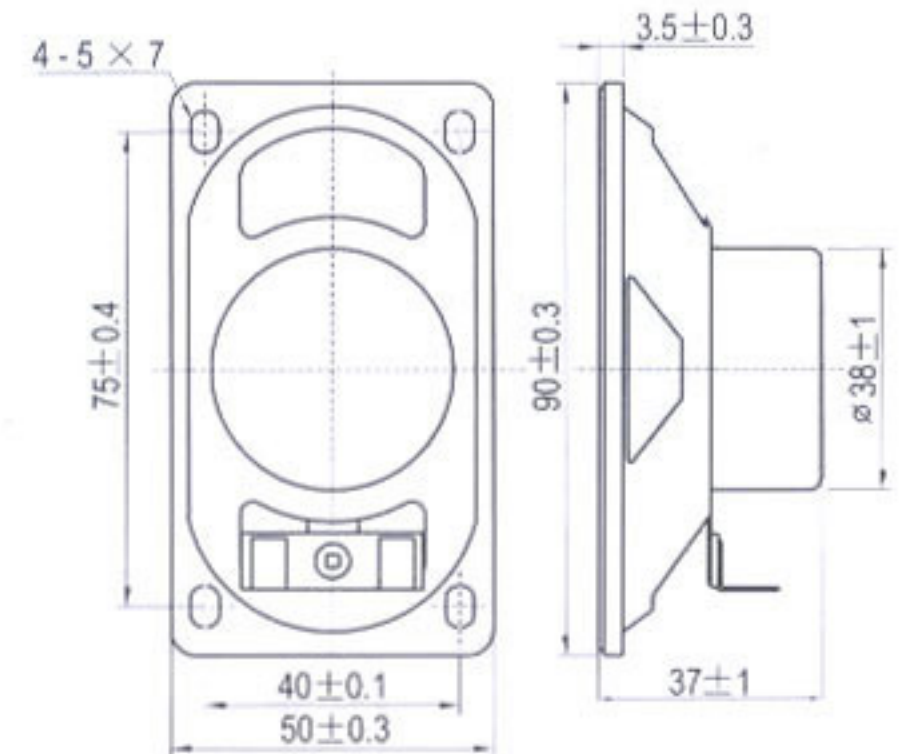
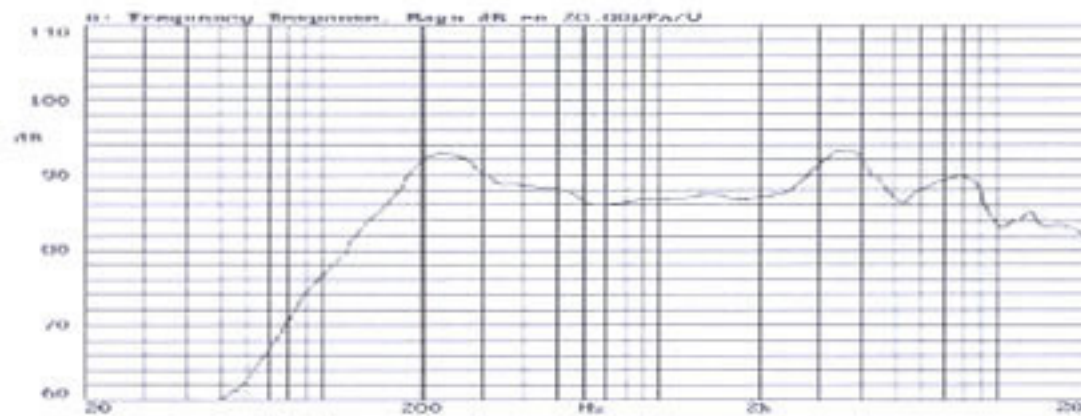
YDP5090-12

Rated Impedance (Ω)	8 \pm 15%
Rated (Max) Power (W)	2 (3)
Resonance Frequency (Hz)	200 \pm 20%
Rated Freq. Range (Hz)	f. \sim 20000
Sound Pressure Level (dB/1m, 1w)	82 \pm 3
Weight (g)	49
Operating Temperature ($^{\circ}$ C)	-10 \sim +40



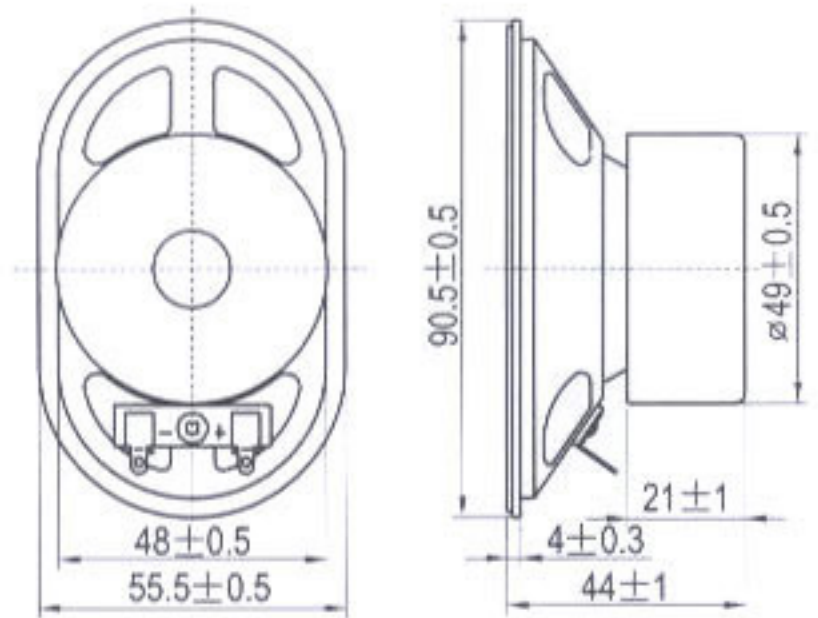
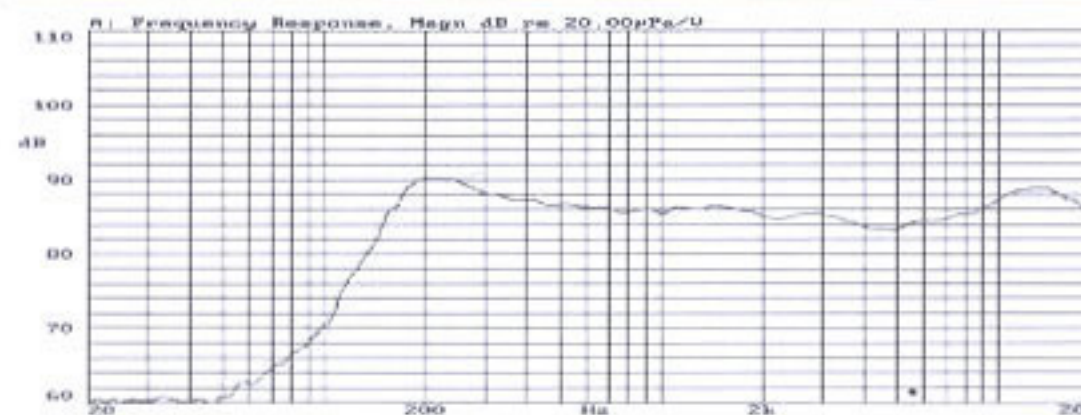
YDP5090-13

Rated Impedance (Ω)	8 \pm 15%
Rated (Max) Power (W)	3 (6)
Resonance Frequency (Hz)	200 \pm 20%
Rated Freq. Range (Hz)	f. \sim 20000
Sound Pressure Level (dB/1m, 1w)	85 \pm 3
Weight (g)	110
Operating Temperature ($^{\circ}$ C)	-10 \sim +40



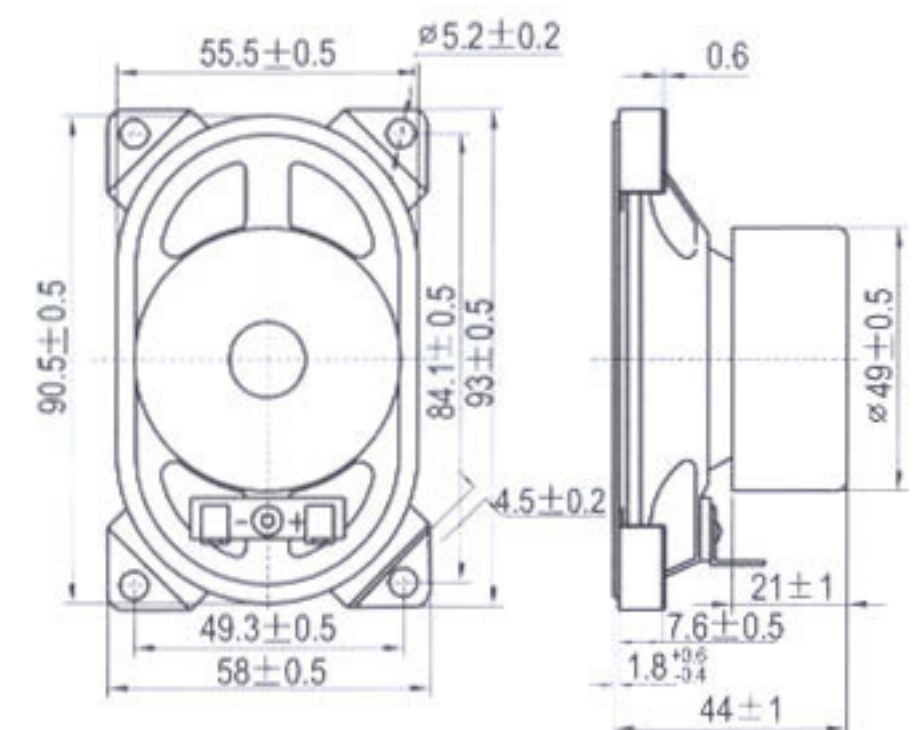
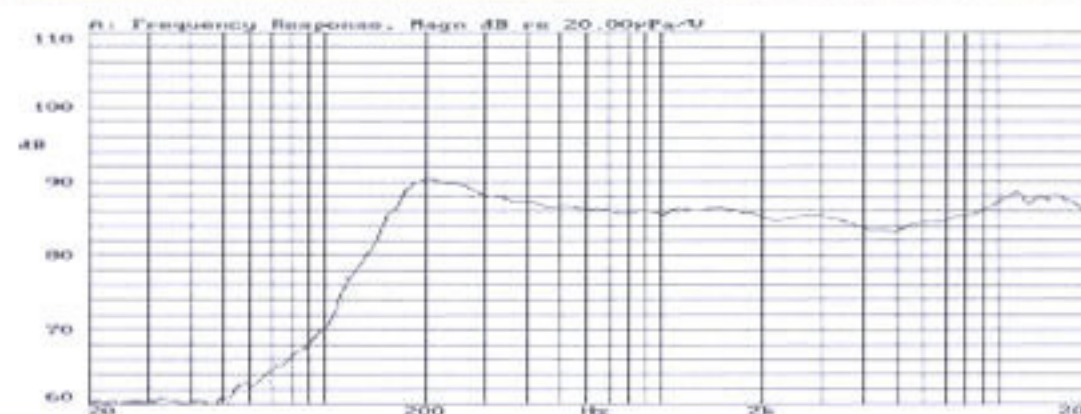
YDP6090-11

Rated Impedance (Ω)	8 \pm 15%
Rated (Max) Power (W)	3 (5)
Resonance Frequency (Hz)	170 \pm 20%
Rated Freq. Range (Hz)	f. \sim 15000
Sound Pressure Level (dB/1m, 1w)	85 \pm 2
Weight (g)	210
Operating Temperature ($^{\circ}$ C)	-10 \sim +40



YDP6090-12

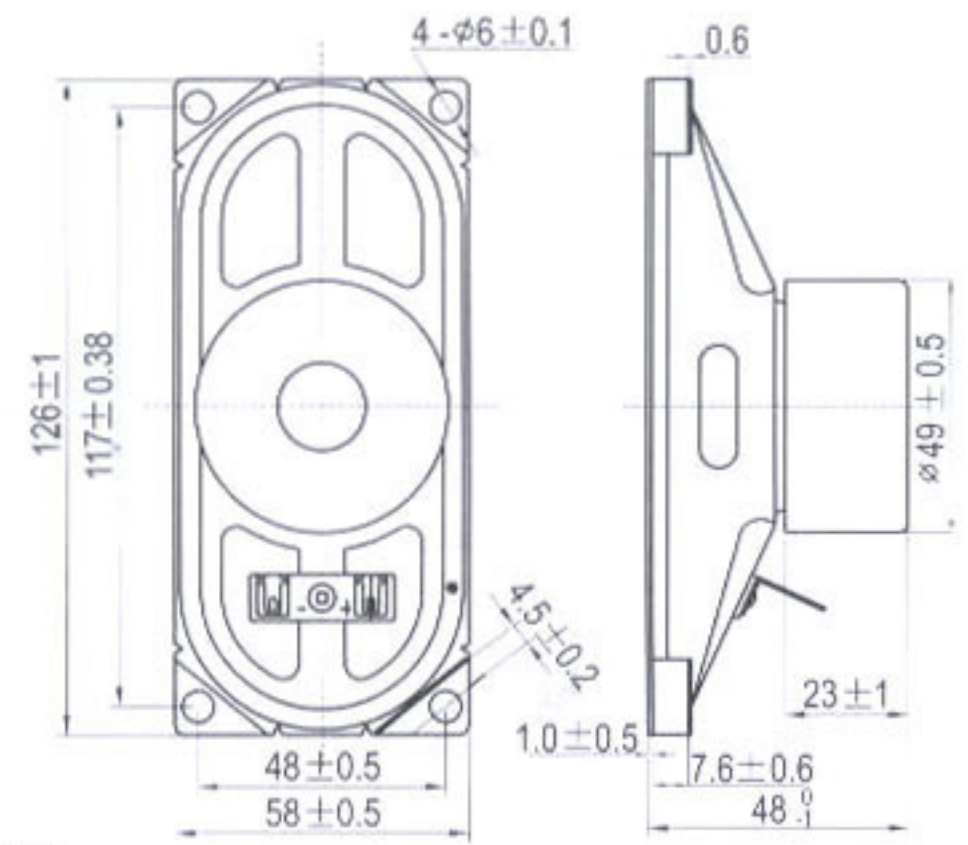
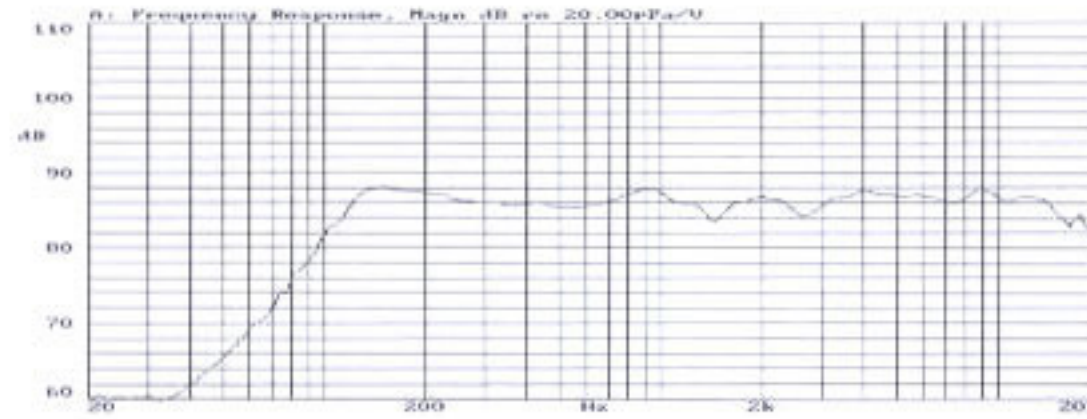
Rated Impedance (Ω)	8 \pm 15%
Rated (Max) Power (W)	3 (5)
Resonance Frequency (Hz)	170 \pm 20%
Rated Freq. Range (Hz)	f. \sim 15000
Sound Pressure Level (dB/1m, 1w)	85 \pm 2
Weight (g)	220
Operating Temperature ($^{\circ}$ C)	-10 \sim +40





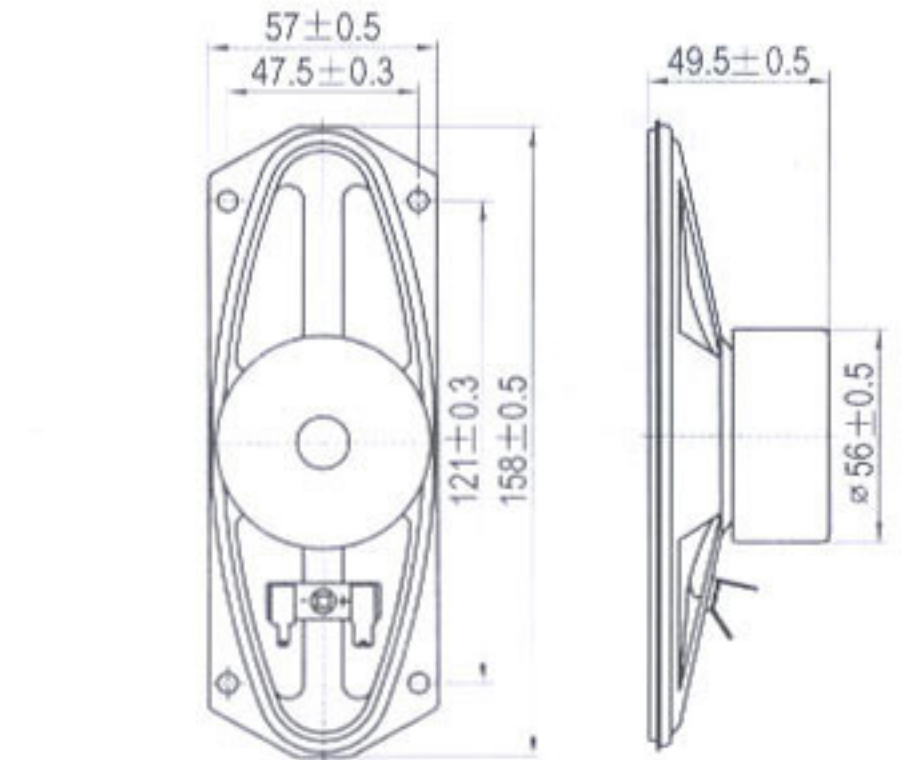
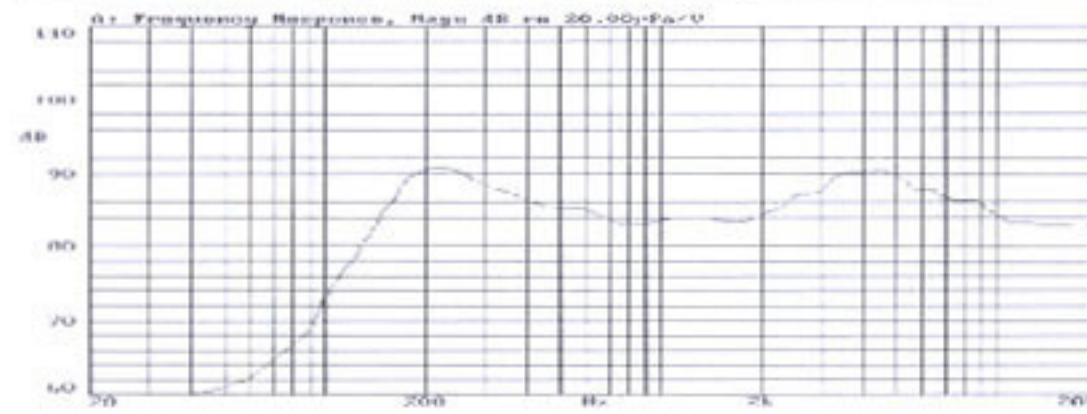
YDP6013-11

Rated Impedance (Ω)	8 \pm 15%
Rated (Max) Power (W)	5 (7)
Resonance Frequency (Hz)	120 \pm 20%
Rated Freq. Range (Hz)	f _s ~15000
Sound Pressure Level (dB/1m, 1w)	86 \pm 2
Weight (g)	230
Operating Temperature ($^{\circ}$ C)	-10~+40



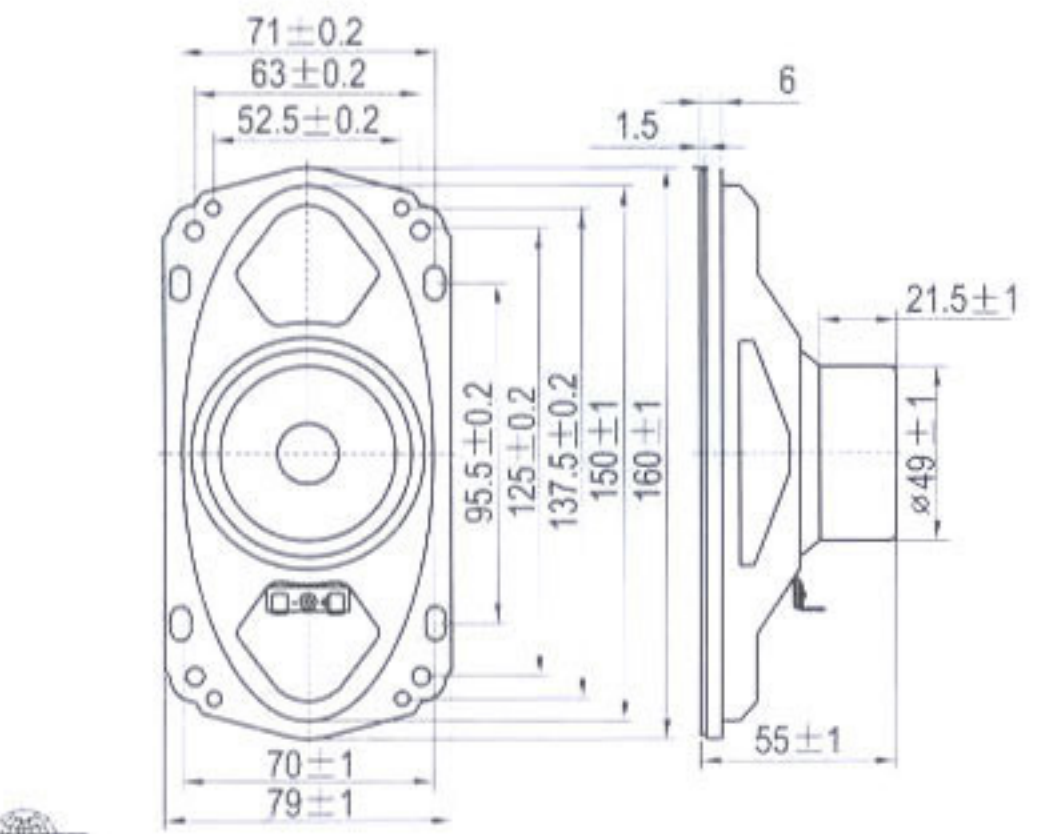
YDT5816-11

Rated Impedance (Ω)	8 \pm 15%
Rated (Max) Power (W)	15 (20)
Resonance Frequency (Hz)	130 \pm 20%
Rated Freq. Range (Hz)	f _s ~15000
Sound Pressure Level (dB/1m, 1w)	85 \pm 3
Weight (g)	330
Operating Temperature ($^{\circ}$ C)	-10~+40



YDT816-11

Rated Impedance (Ω)	8 \pm 15%
Rated (Max) Power (W)	10 (15)
Resonance Frequency (Hz)	110 \pm 20%
Rated Freq. Range (Hz)	f _s ~15000
Sound Pressure Level (dB/1m, 1w)	86 \pm 2
Weight (g)	245
Operating Temperature ($^{\circ}$ C)	-10~+40



YDT717-11

Rated Impedance (Ω)	8 \pm 15%
Rated (Max) Power (W)	15 (20)
Resonance Frequency (Hz)	130 \pm 20%
Rated Freq. Range (Hz)	f _s ~20000
Sound Pressure Level (dB/1m, 1w)	87 \pm 3
Weight (g)	315
Operating Temperature ($^{\circ}$ C)	-10~+40

