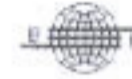
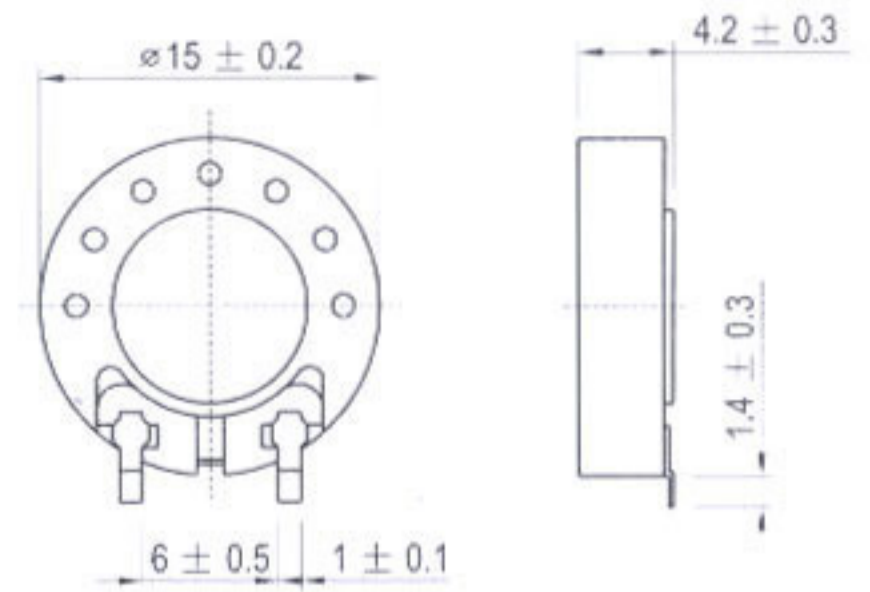
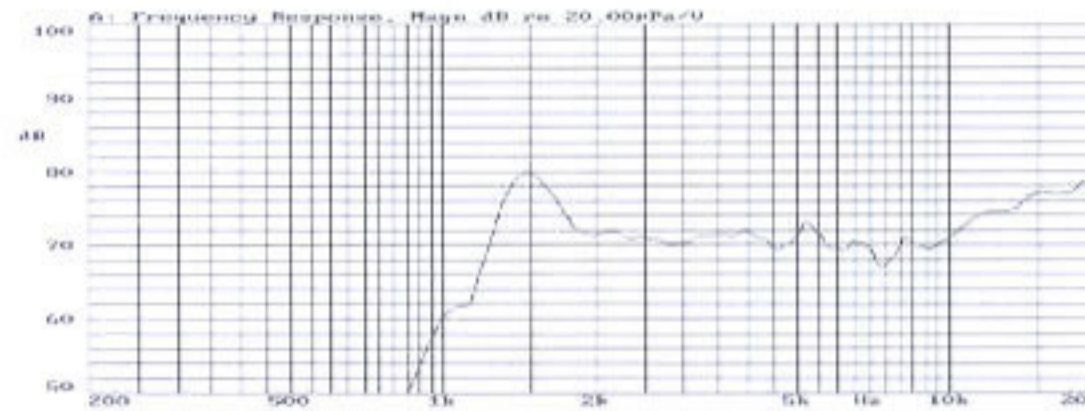


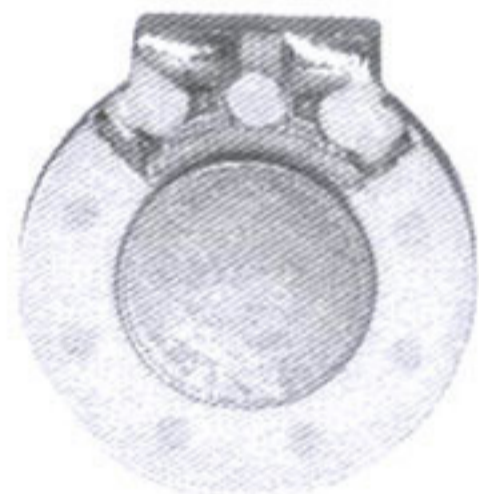
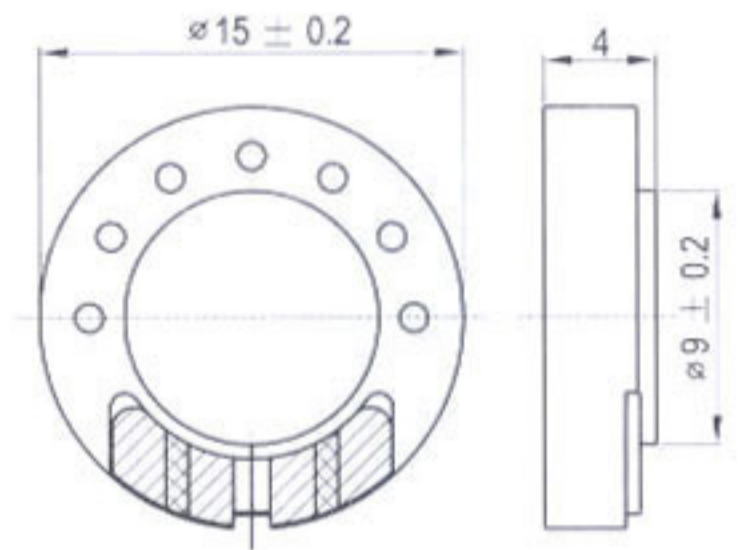
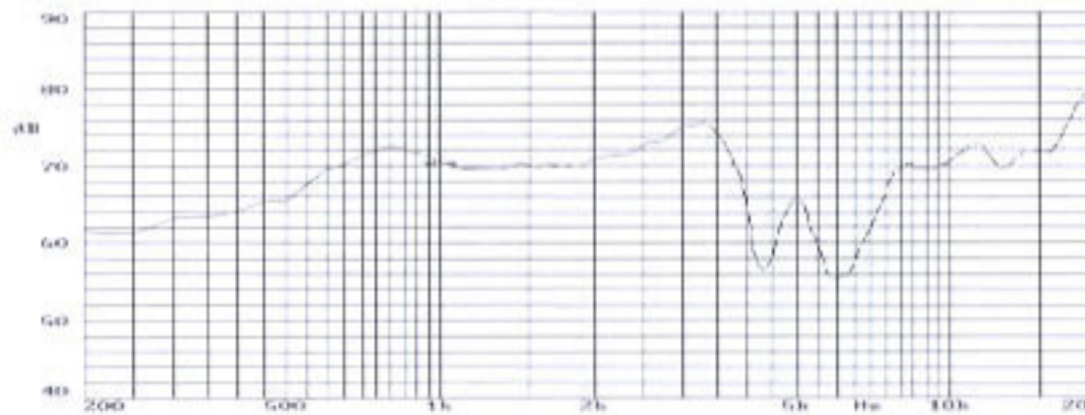
### YDB15-11

Rated Impedance ( $\Omega$ )	$8 \pm 15\%$
Rated (Max) Power (W)	0.1 (0.1)
Resonance Frequency (Hz)	$1700 \pm 20\%$
Rated Freq. Range (Hz)	f.-5000
Sound Pressure Level (dB/10m, 0.25w)	$75 \pm 3$
Weight (g)	1
Operating Temperature ( $^{\circ}\text{C}$ )	-10~+40



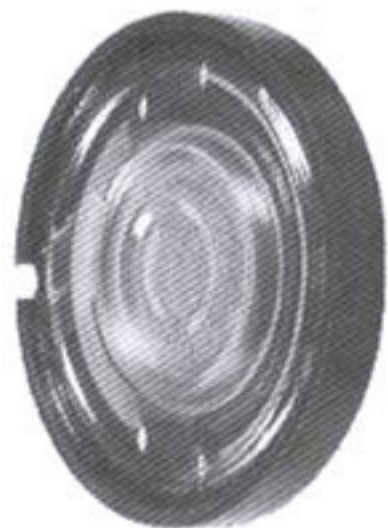
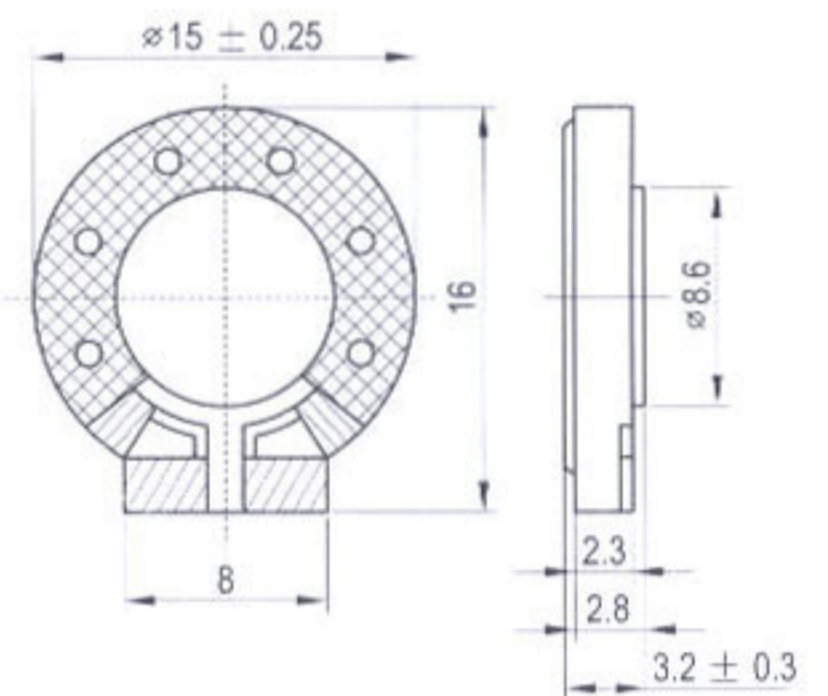
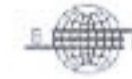
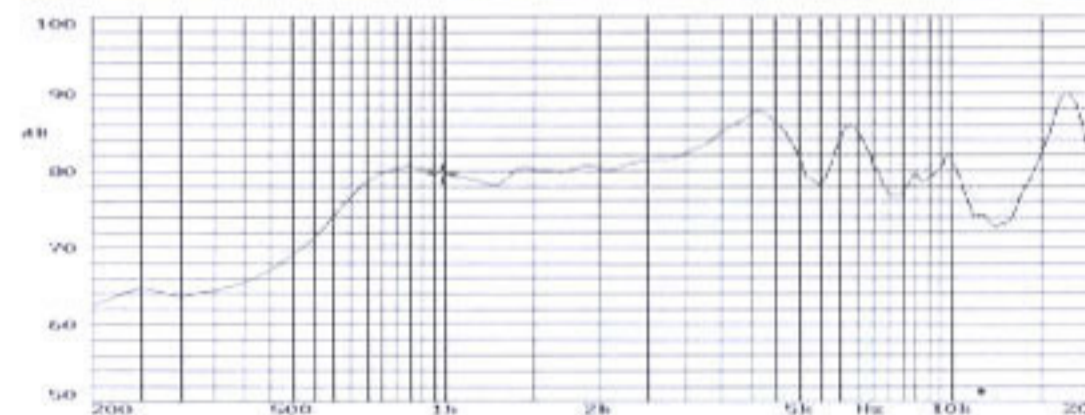
### YDB15-12

Rated Impedance ( $\Omega$ )	$8 \pm 15\%$
Rated (Max) Power (W)	0.2 (0.4)
Resonance Frequency (Hz)	$700 \pm 20\%$
Rated Freq. Range (Hz)	f.-4000
Sound Pressure Level (dB/0.1m, 0.1w)	$83 \pm 3$
Weight (g)	1
Operating Temperature ( $^{\circ}\text{C}$ )	-30~+70



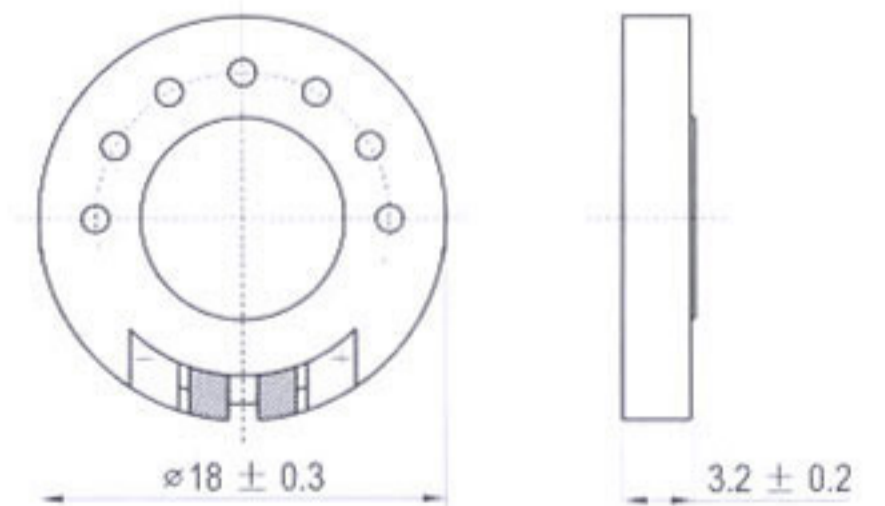
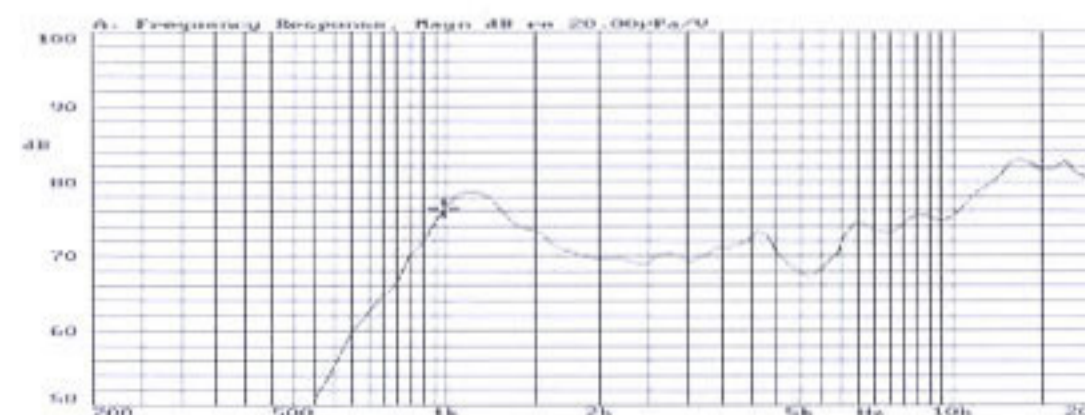
### YDB15-13

Rated Impedance ( $\Omega$ )	$8 \pm 15\%$
Rated (Max) Power (W)	0.3 (0.5)
Resonance Frequency (Hz)	$780 \pm 20\%$
Rated Freq. Range (Hz)	f.-5000
Sound Pressure Level (dB/0.1m, 0.1w)	$83 \pm 3$
Weight (g)	1.5
Operating Temperature ( $^{\circ}\text{C}$ )	-40~+85



### YDB18-11

Rated Impedance ( $\Omega$ )	$8 \pm 15\%$
Rated (Max) Power (W)	0.1 (0.1)
Resonance Frequency (Hz)	$800 \pm 25\%$
Rated Freq. Range (Hz)	f.-3500
Sound Pressure Level (dB/1m, 1w)	$70 \pm 3$
Weight (g)	1.2
Operating Temperature ( $^{\circ}\text{C}$ )	-10~+40

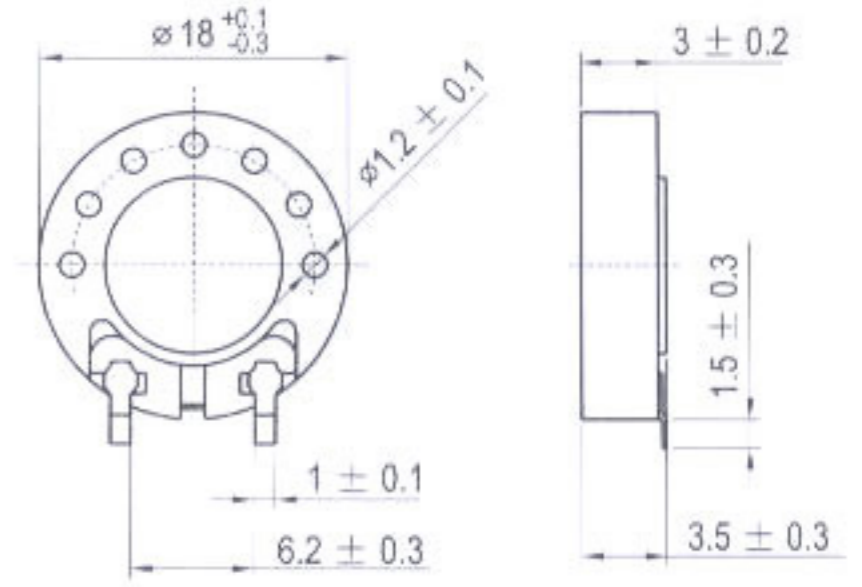
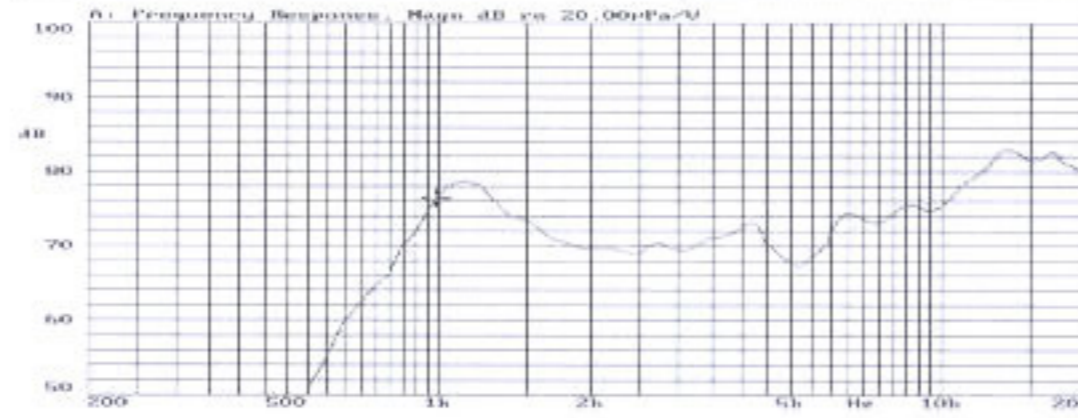






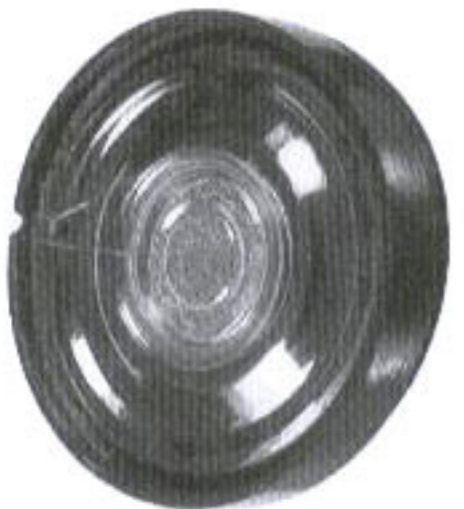
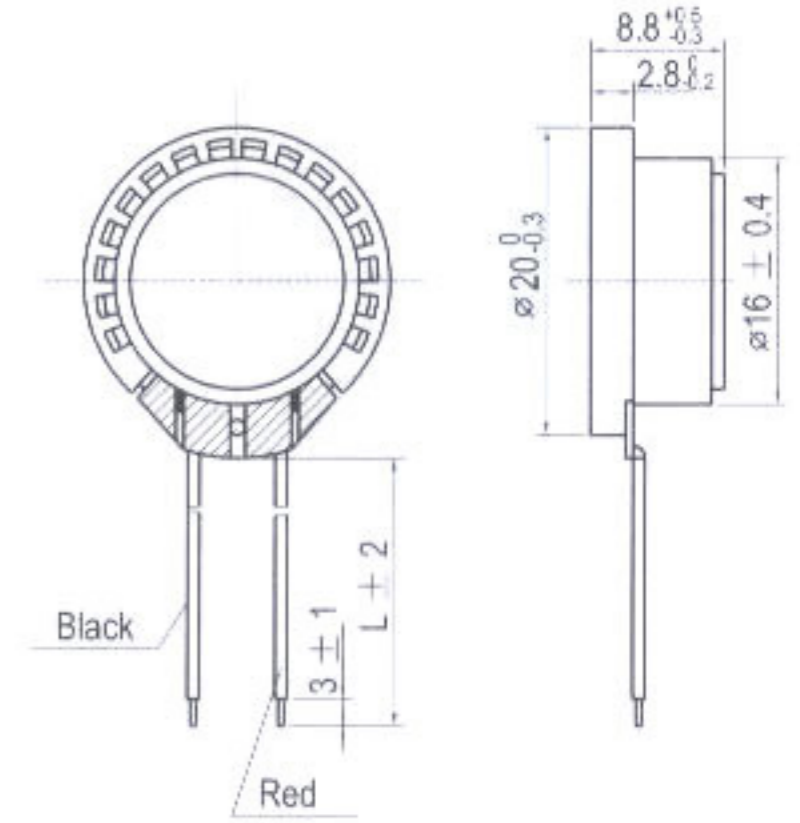
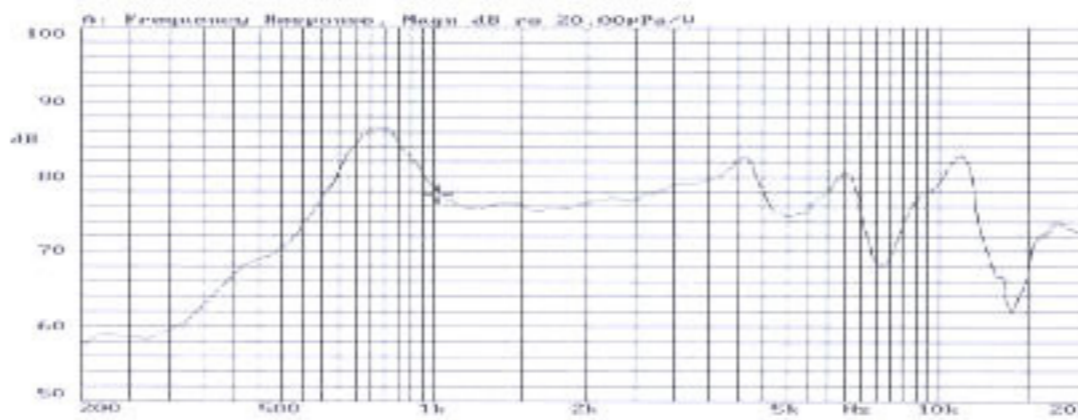
### YDB18-11A

Rated Impedance ( $\Omega$ )	$8 \pm 15\%$
Rated (Max) Power (W)	0.1 (0.1)
Resonance Frequency (Hz)	$800 \pm 25\%$
Rated Freq. Range (Hz)	$f_c \sim 3500$
Sound Pressure Level (dB/1m, 1w)	$70 \pm 3$
Weight (g)	1.2
Operating Temperature ( $^{\circ}\text{C}$ )	$-10 \sim +40$



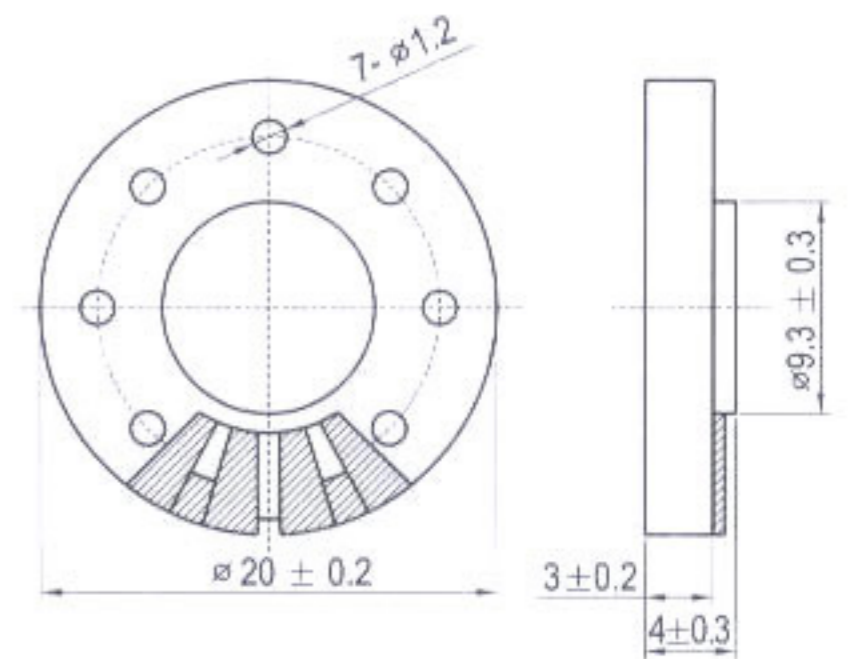
### YDB20-1W

Rated Impedance ( $\Omega$ )	$8 \pm 15\%$
Rated (Max) Power (W)	0.1 (0.2)
Resonance Frequency (Hz)	$700 \pm 20\%$
Rated Freq. Range (Hz)	$f_c \sim 4500$
Sound Pressure Level (dB/1m, 1w)	$70 \pm 3$
Weight (g)	4.5
Operating Temperature ( $^{\circ}\text{C}$ )	$-10 \sim +40$



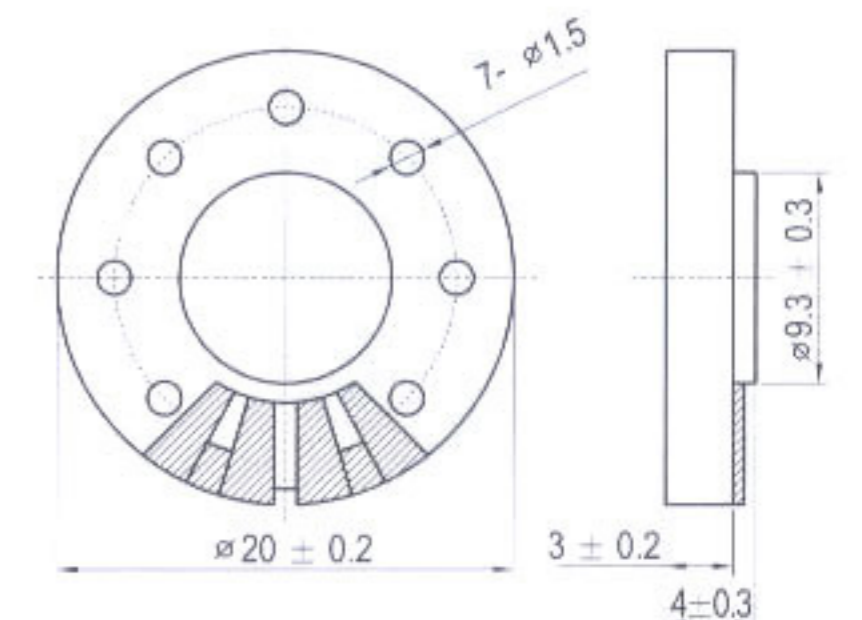
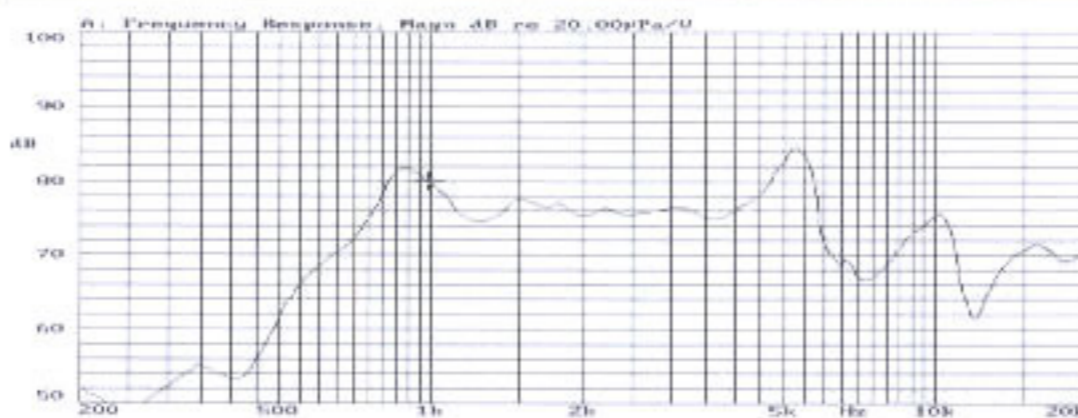
### YDB20-11

Rated Impedance ( $\Omega$ )	$8 \pm 15\%$
Rated (Max) Power (W)	0.1 (0.2)
Resonance Frequency (Hz)	$1000 \pm 20\%$
Rated Freq. Range (Hz)	$f_c \sim 3500$
Sound Pressure Level (dB/1m, 1w)	$72 \pm 3$
Weight (g)	1.5
Operating Temperature ( $^{\circ}\text{C}$ )	$-10 \sim +40$



### YDB20-11A

Rated Impedance ( $\Omega$ )	$8 \pm 15\%$
Rated (Max) Power (W)	0.1 (0.2)
Resonance Frequency (Hz)	$740 \pm 150$
Rated Freq. Range (Hz)	$f_c \sim 5000$
Sound Pressure Level (dB/at 1, 12, 15, 2kHz AVE)	$\geq 74$
Weight (g)	1.5
Operating Temperature ( $^{\circ}\text{C}$ )	$-20 \sim +50$

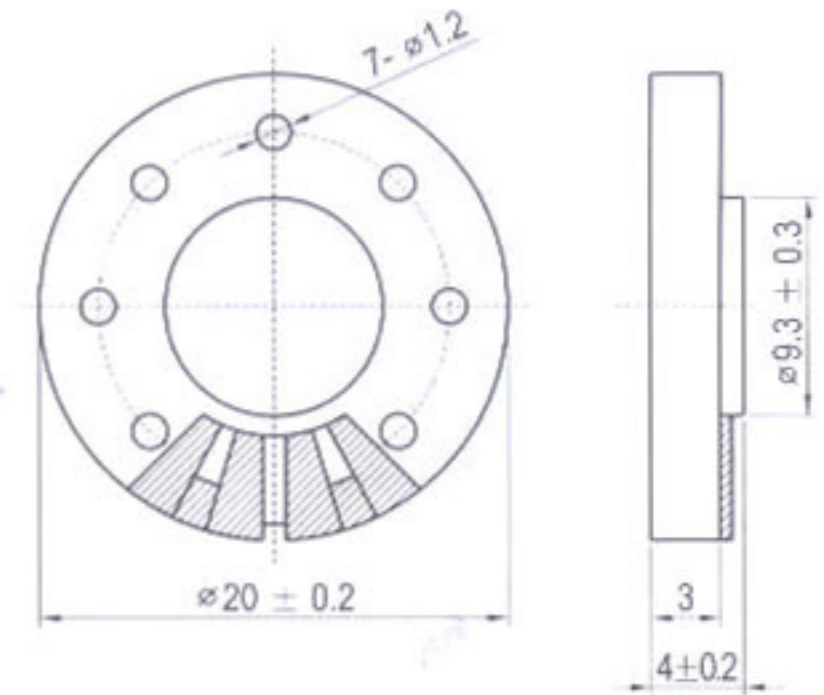
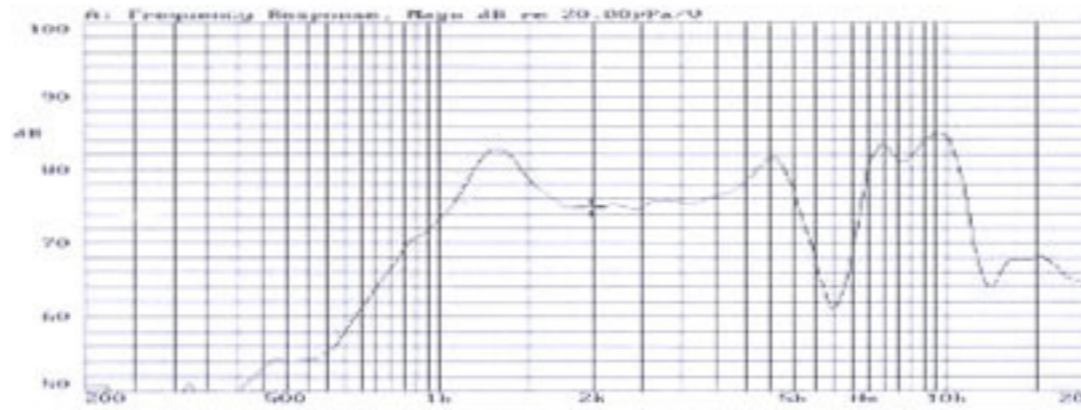






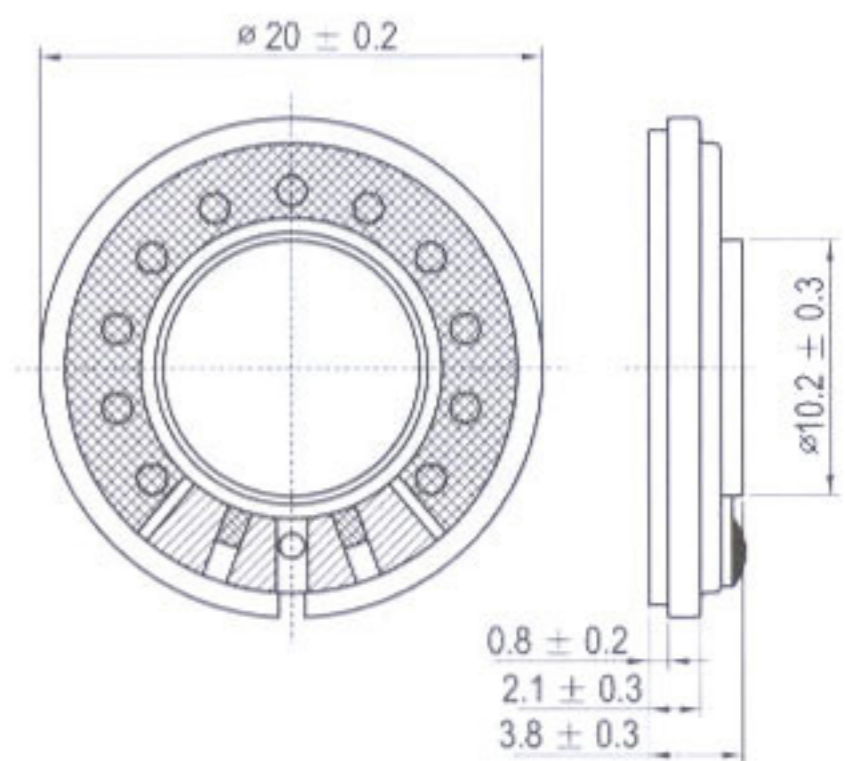
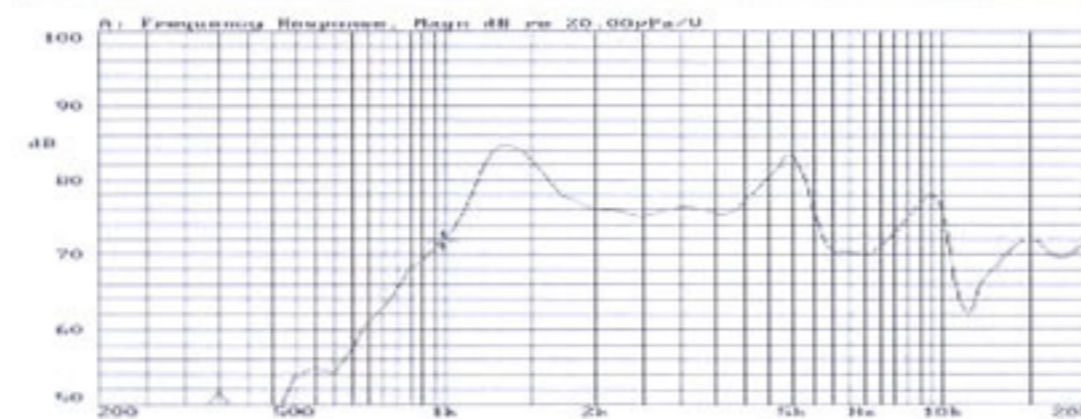
### YDB20-11L

Rated Impedance ( $\Omega$ )	$8 \pm 15\%$
Rated (Max) Power (W)	0.1 (0.2)
Resonance Frequency (Hz)	$1000 \pm 20\%$
Rated Freq. Range (Hz)	f.-3500
Sound Pressure Level (dB/1m, 1w)	$72 \pm 3$
Weight (g)	1.5
Operating Temperature ( $^{\circ}\text{C}$ )	-10~+40



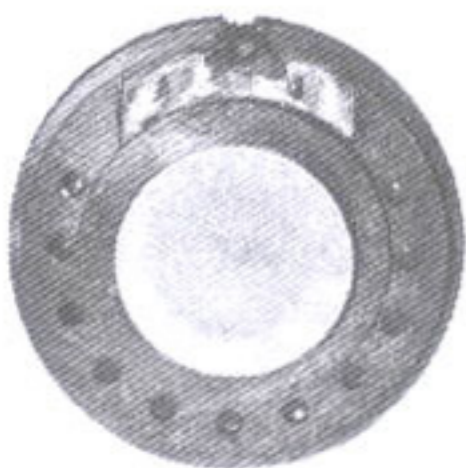
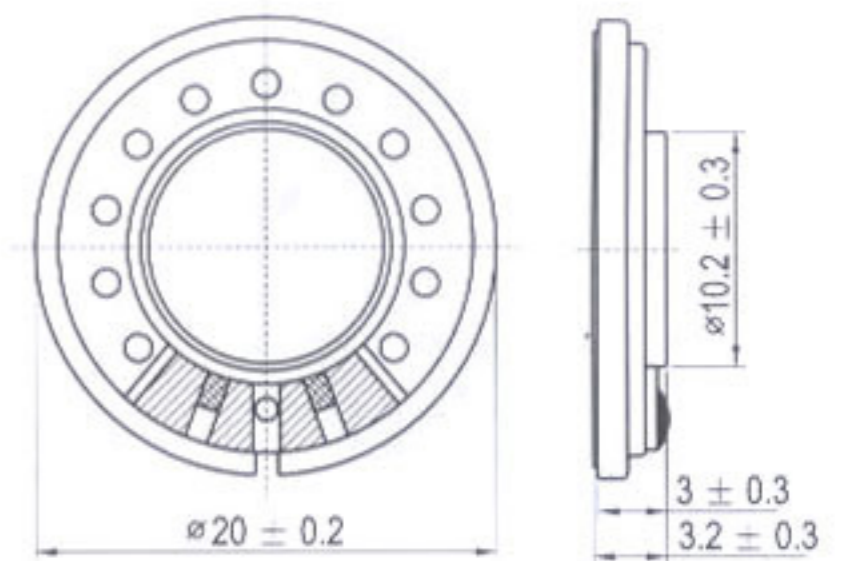
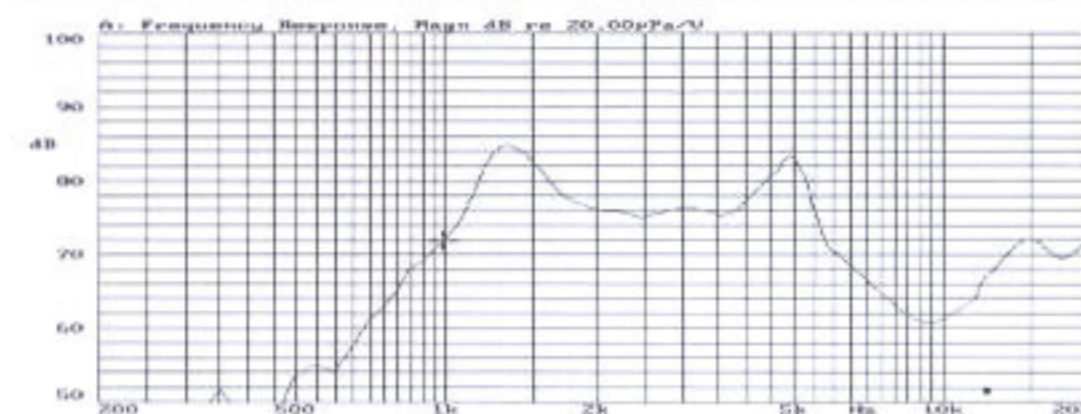
### YDB20-12

Rated Impedance ( $\Omega$ )	$8 \pm 15\%$
Rated (Max) Power (W)	0.2 (0.4)
Resonance Frequency (Hz)	$600 \pm 20\%$
Rated Freq. Range (Hz)	f.-5000
Sound Pressure Level (dB/1m, 1w)	$76 \pm 3$
Weight (g)	3
Operating Temperature ( $^{\circ}\text{C}$ )	-20~+60



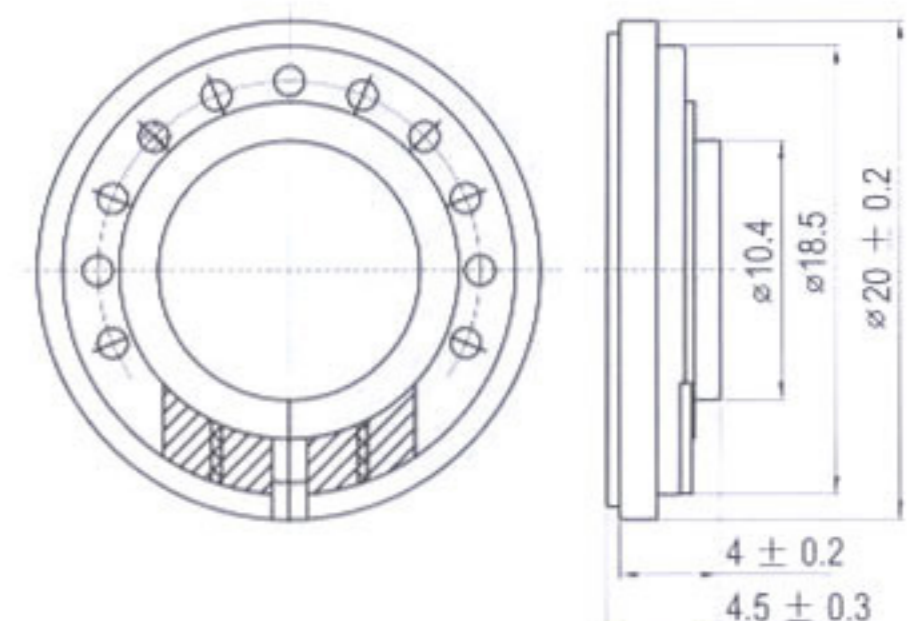
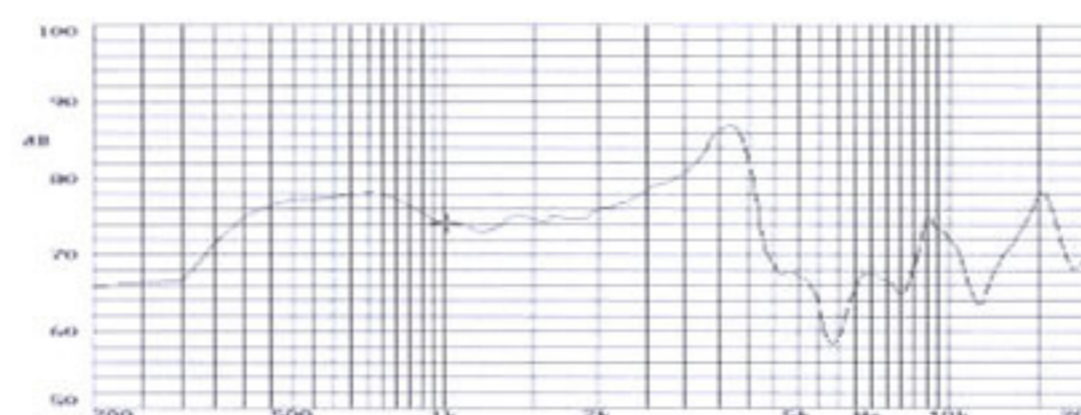
### YDB20-12G

Rated Impedance ( $\Omega$ )	$8 \pm 15\%$
Rated (Max) Power (W)	0.1 (0.2)
Resonance Frequency (Hz)	$700 \pm 20\%$
Rated Freq. Range (Hz)	f.-4000
Sound Pressure Level (dB/1m, 1w)	$75 \pm 3$
Weight (g)	3.5
Operating Temperature ( $^{\circ}\text{C}$ )	-20~+60



### YDB20-13

Rated Impedance ( $\Omega$ )	$8 \pm 15\%$
Rated (Max) Power (W)	0.2 (0.4)
Resonance Frequency (Hz)	$500 \pm 20\%$
Rated Freq. Range (Hz)	f.-5000
Sound Pressure Level (dB/0.1m, 0.1w)	$86 \pm 3$
Weight (g)	3
Operating Temperature ( $^{\circ}\text{C}$ )	-30~+70

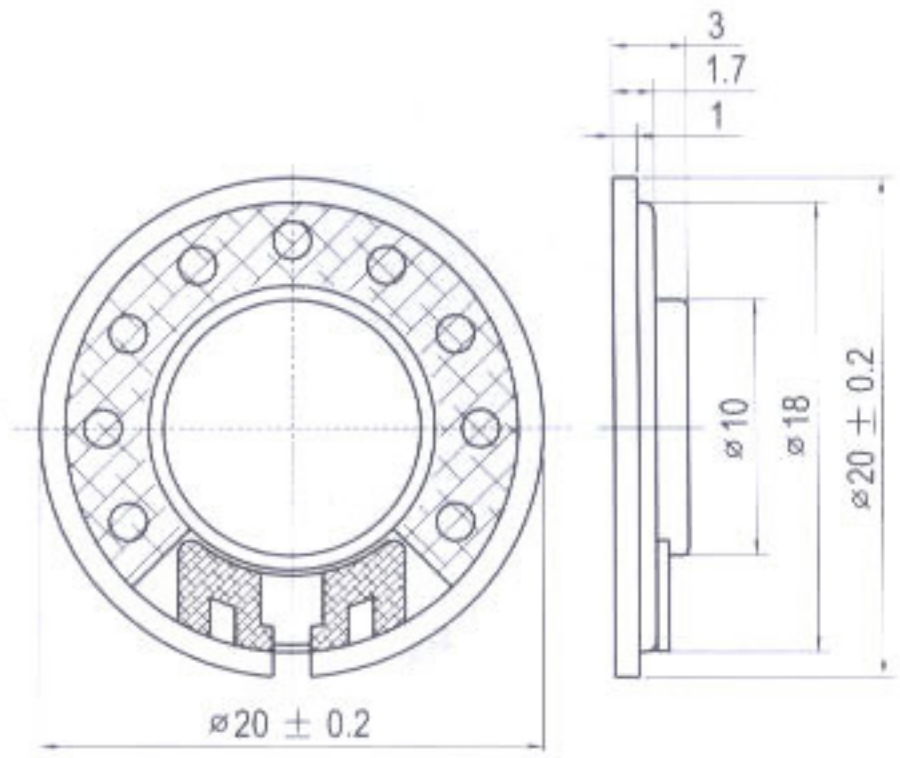
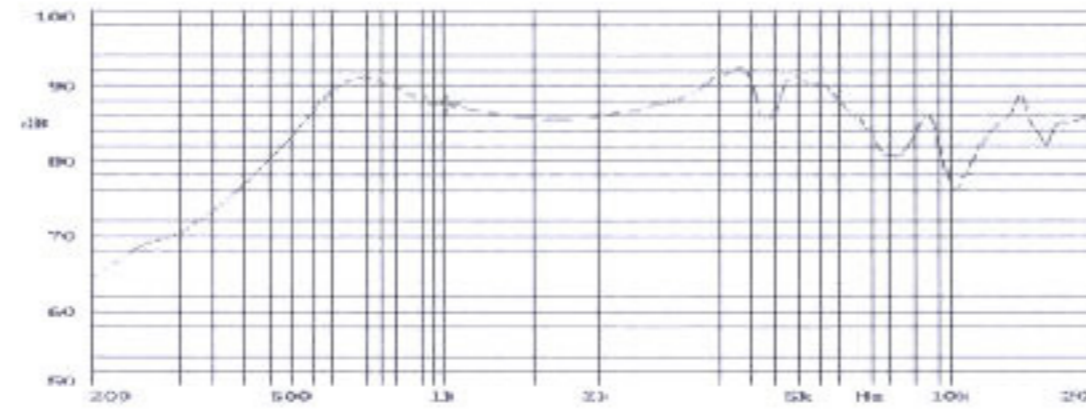






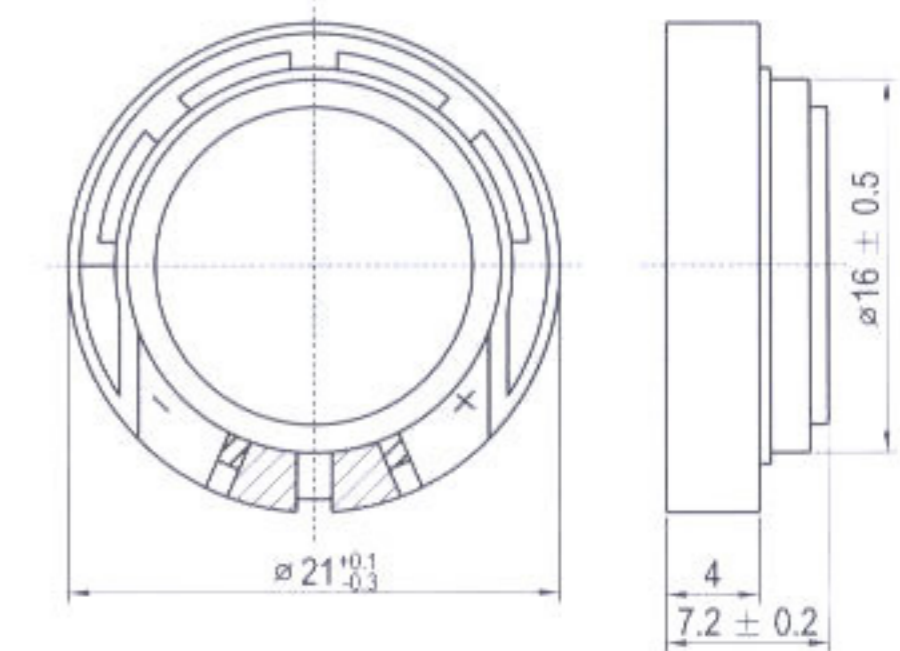
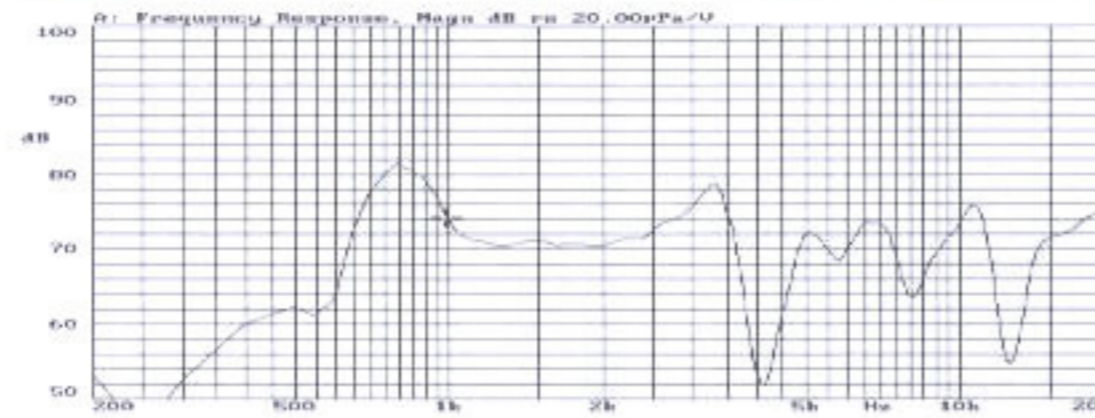
### YDB20-14

Rated Impedance ( $\Omega$ )	$8 \pm 15\%$
Rated (Max) Power (W)	0.3 (0.5)
Resonance Frequency (Hz)	$650 \pm 20\%$
Rated Freq. Range (Hz)	$f_s \sim 5000$
Sound Pressure Level (dB/0.1m, 0.1w)	$87 \pm 3$
Weight (g)	3.5
Operating Temperature ( $^{\circ}\text{C}$ )	$-30 \sim +70$



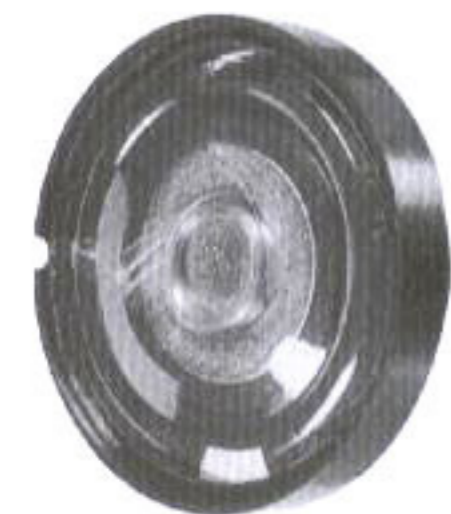
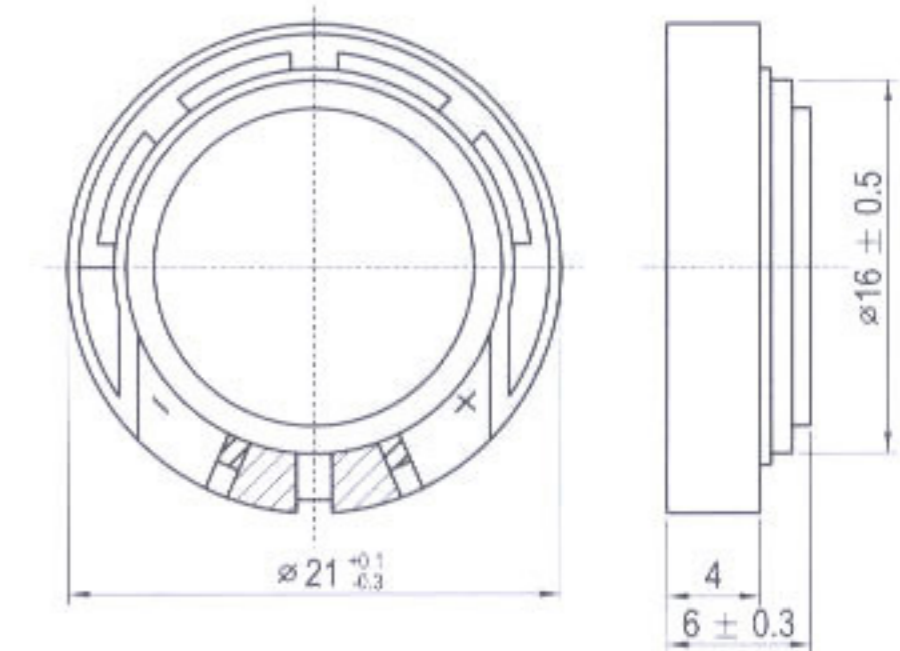
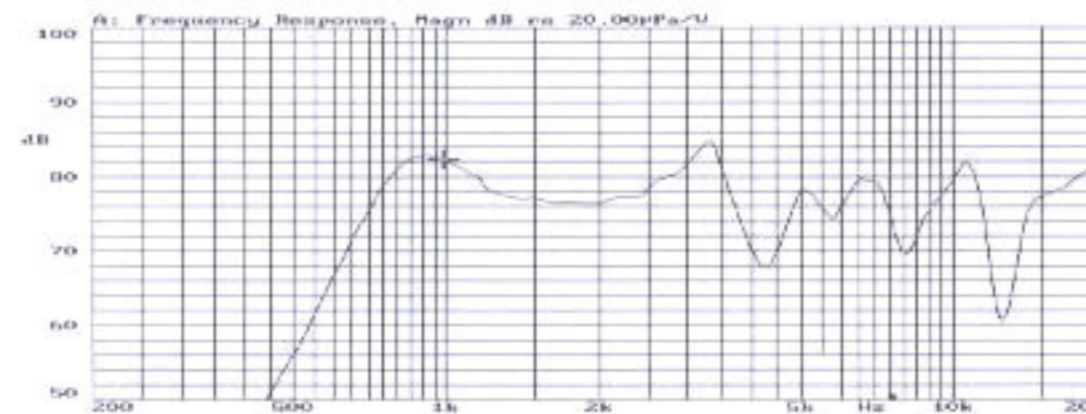
### YDB21-1

Rated Impedance ( $\Omega$ )	$8 \pm 15\%$
Rated (Max) Power (W)	0.1 (0.2)
Resonance Frequency (Hz)	$800 \pm 20\%$
Rated Freq. Range (Hz)	$f_s \sim 3500$
Sound Pressure Level (dB/1m, 1w)	$70 \pm 3$
Weight (g)	5
Operating Temperature ( $^{\circ}\text{C}$ )	$-10 \sim +40$



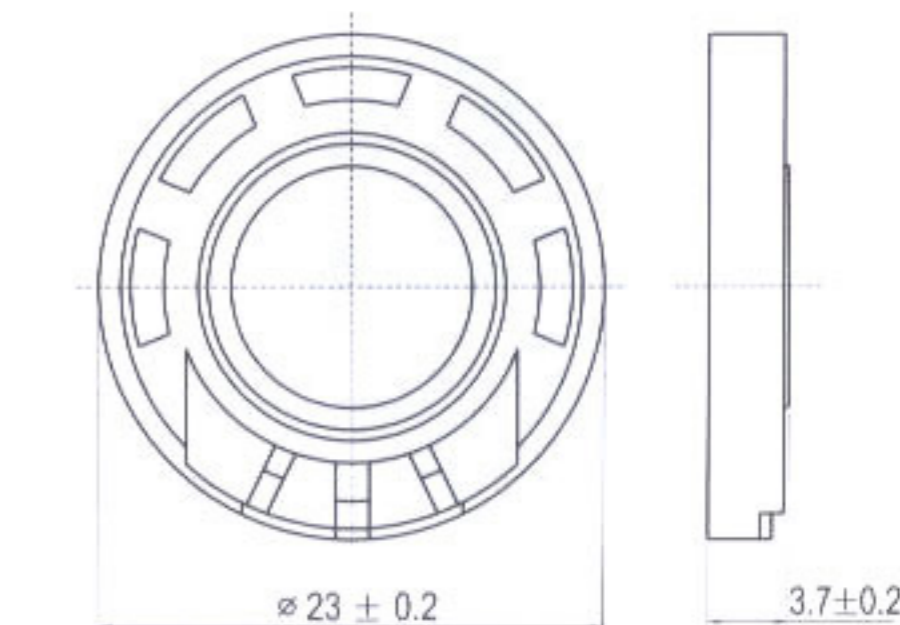
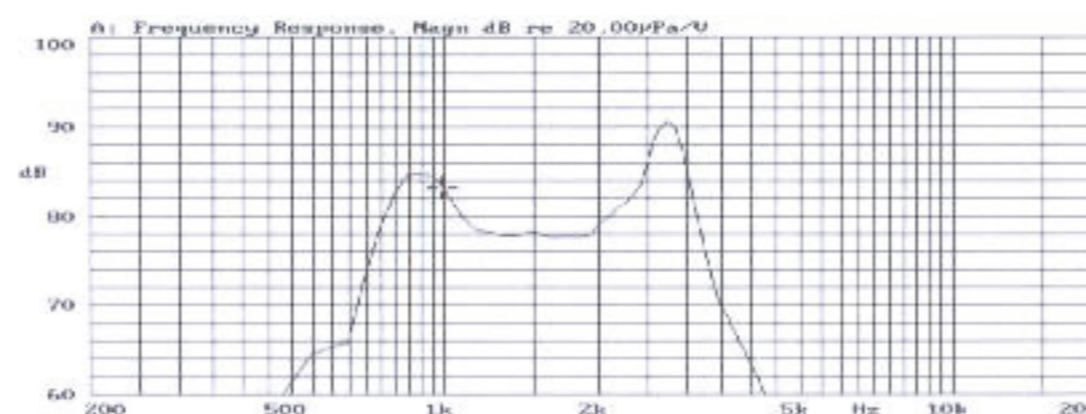
### YDB21-3(A)

Rated Impedance ( $\Omega$ )	$8 \pm 15\%$
Rated (Max) Power (W)	0.1 (0.2)
Resonance Frequency (Hz)	$800 \pm 20\%$
Rated Freq. Range (Hz)	$f_s \sim 3500$
Sound Pressure Level (dB/1m, 1w)	$\geq 70(76)$
Weight (g)	4.5
Operating Temperature ( $^{\circ}\text{C}$ )	$-10 \sim +40$

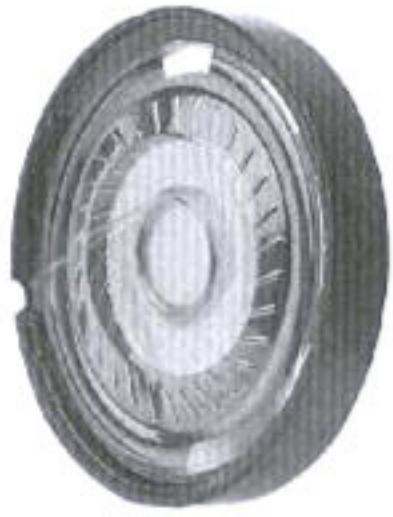


### YDB23-1

Rated Impedance ( $\Omega$ )	$8 \pm 15\%$
Rated (Max) Power (W)	0.1 (0.2)
Resonance Frequency (Hz)	$1000 \pm 20\%$
Rated Freq. Range (Hz)	$f_s \sim 3200$
Sound Pressure Level (dB/1m, 1w)	$75 \pm 3$
Weight (g)	3
Operating Temperature ( $^{\circ}\text{C}$ )	$-10 \sim +40$

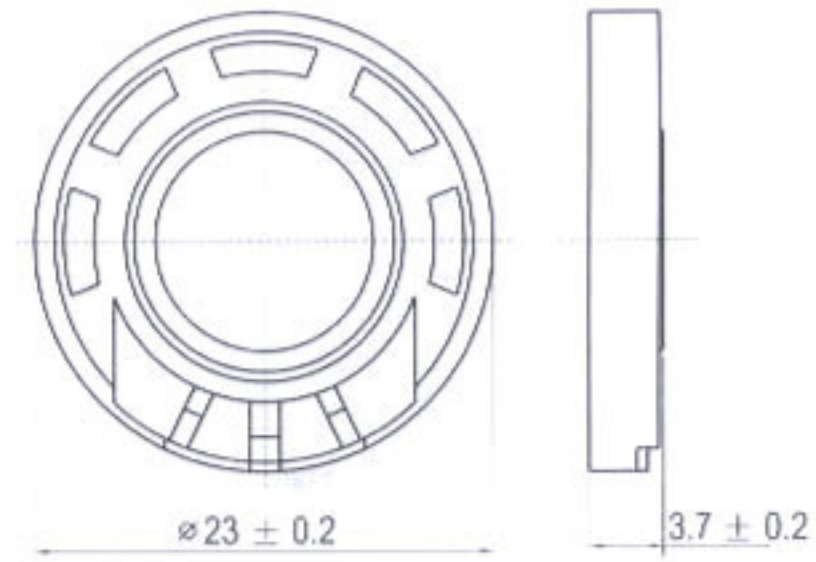
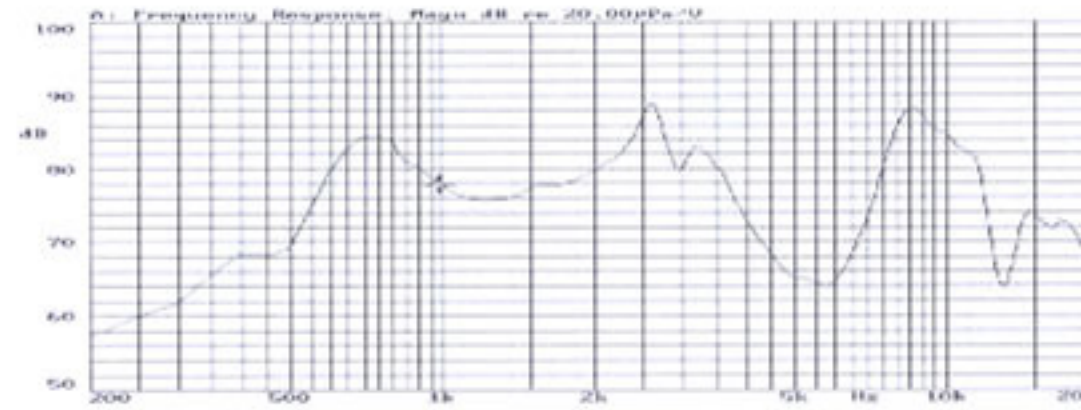






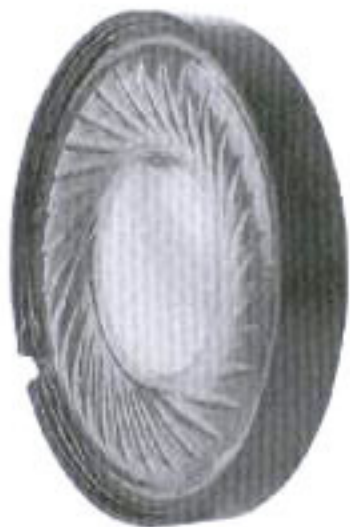
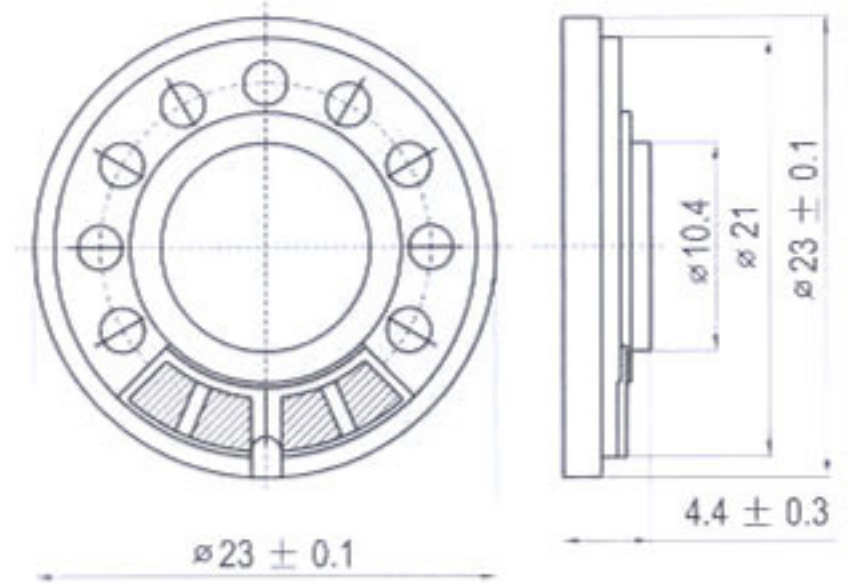
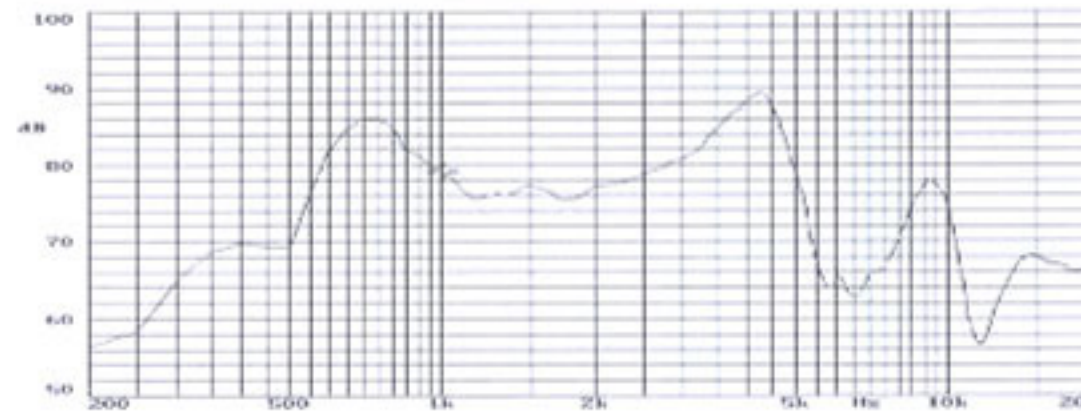
### YDB23-2

Rated Impedance ( $\Omega$ )	25 $\pm$ 15%
Rated (Max) Power (W)	0.1 (0.2)
Resonance Frequency (Hz)	500 $\pm$ 25%
Rated Freq. Range (Hz)	f <sub>s</sub> ~ 3200
Sound Pressure Level (dB/1m, 1w)	78 $\pm$ 3
Weight (g)	3
Operating Temperature ( $^{\circ}$ C)	-10 ~ +40



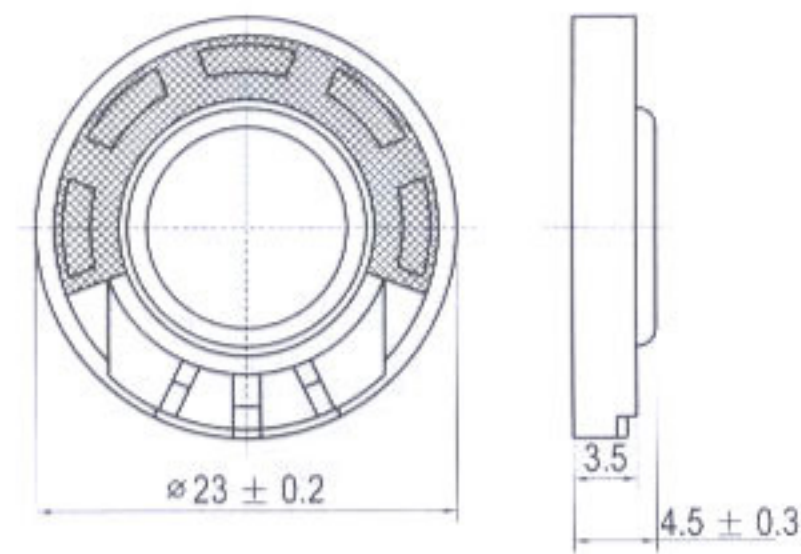
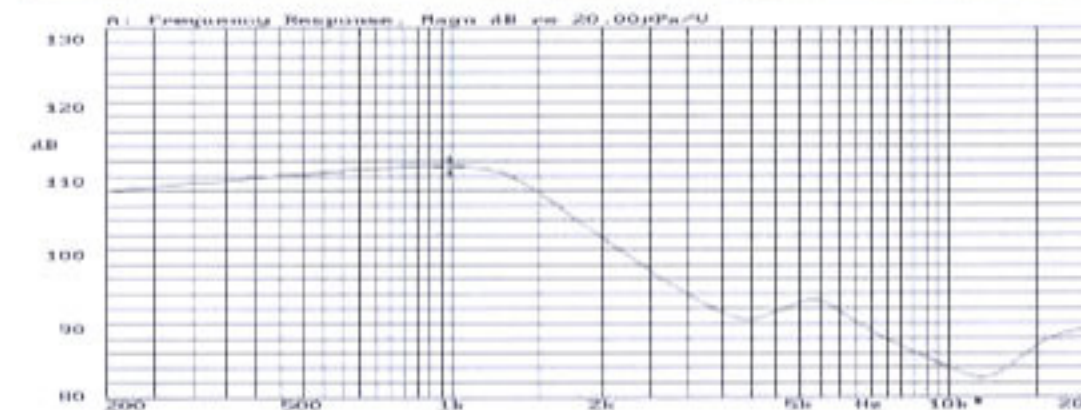
### YDB23-12

Rated Impedance ( $\Omega$ )	8 $\pm$ 15%
Rated (Max) Power (W)	0.2 (0.4)
Resonance Frequency (Hz)	650 $\pm$ 20%
Rated Freq. Range (Hz)	f <sub>s</sub> ~ 5000
Sound Pressure Level (dB/0.1m, 0.1w)	90 $\pm$ 3
Weight (g)	3.5
Operating Temperature ( $^{\circ}$ C)	-30 ~ +70



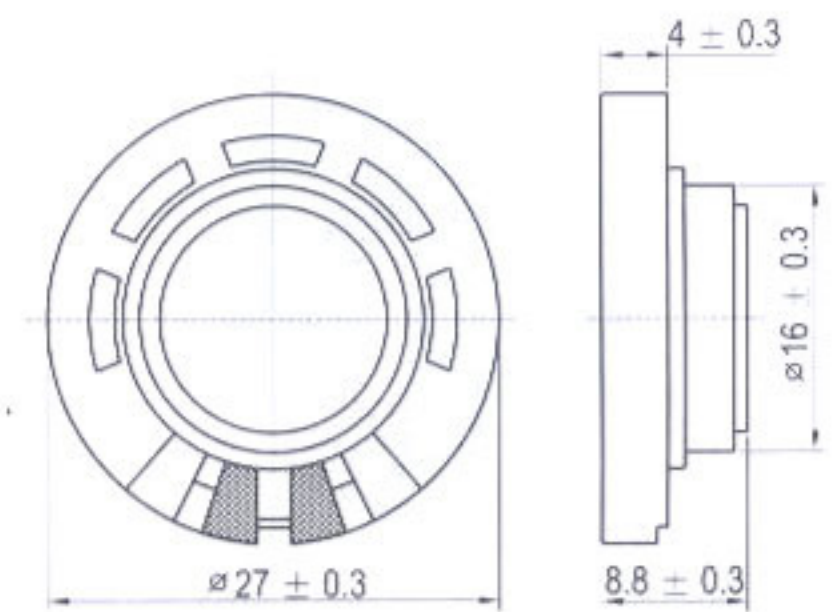
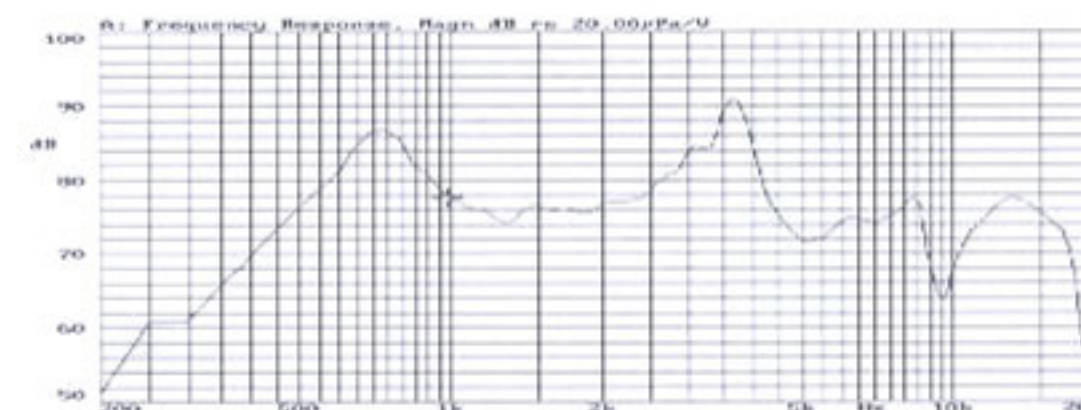
### YDB23-13

Rated Impedance ( $\Omega$ )	32 $\pm$ 20%
Rated (Max) Power (mW)	20 (30)
Resonance Frequency (Hz)	300 $\pm$ 20%
Rated Freq. Range (Hz)	f <sub>s</sub> ~ 18000
Sound Pressure Level with IEC318 at 100mV	112 $\pm$ 3 at 1kHz
Weight (g)	5
Operating Temperature ( $^{\circ}$ C)	-10 ~ +60



### YDB27-1

Rated Impedance ( $\Omega$ )	8 $\pm$ 15%
Rated (Max) Power (W)	0.1 (0.2)
Resonance Frequency (Hz)	600 $\pm$ 25%
Rated Freq. Range (Hz)	f <sub>s</sub> ~ 3500
Sound Pressure Level (dB/1m, 1w)	78 $\pm$ 3
Weight (g)	7.5
Operating Temperature ( $^{\circ}$ C)	-10 ~ +40

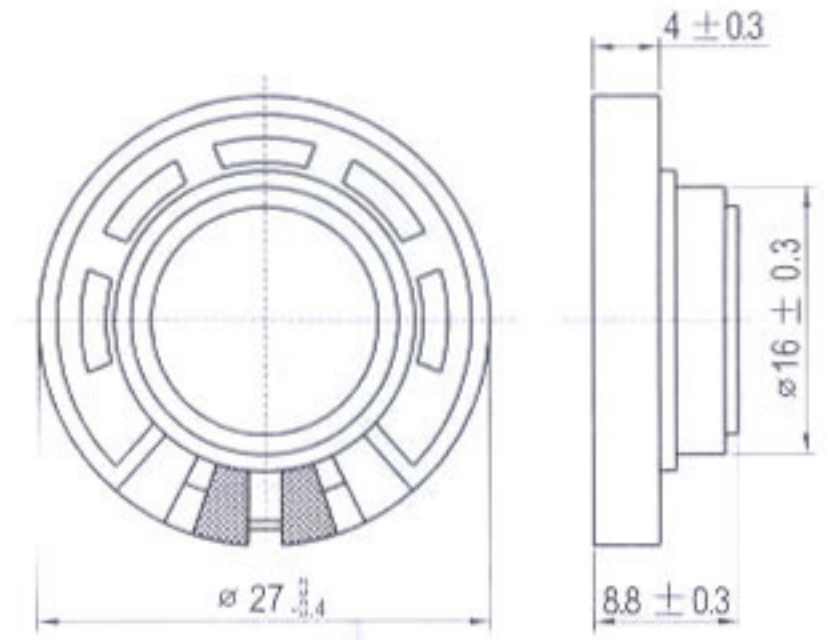
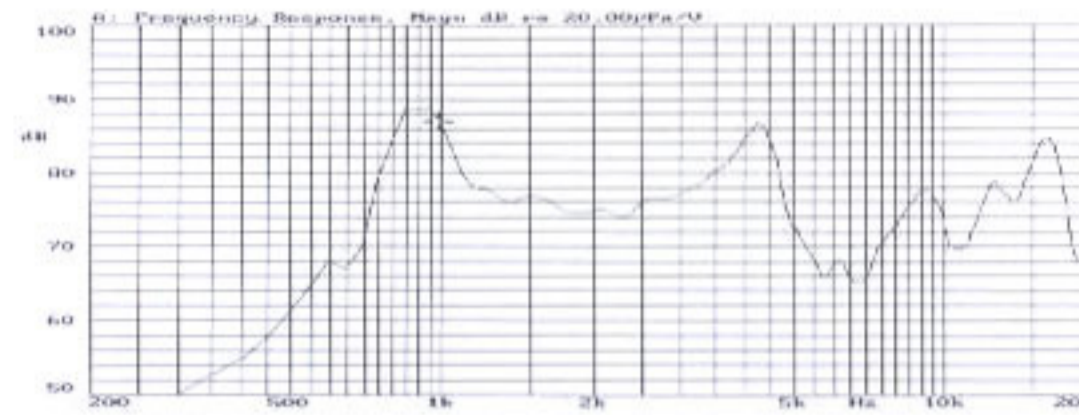






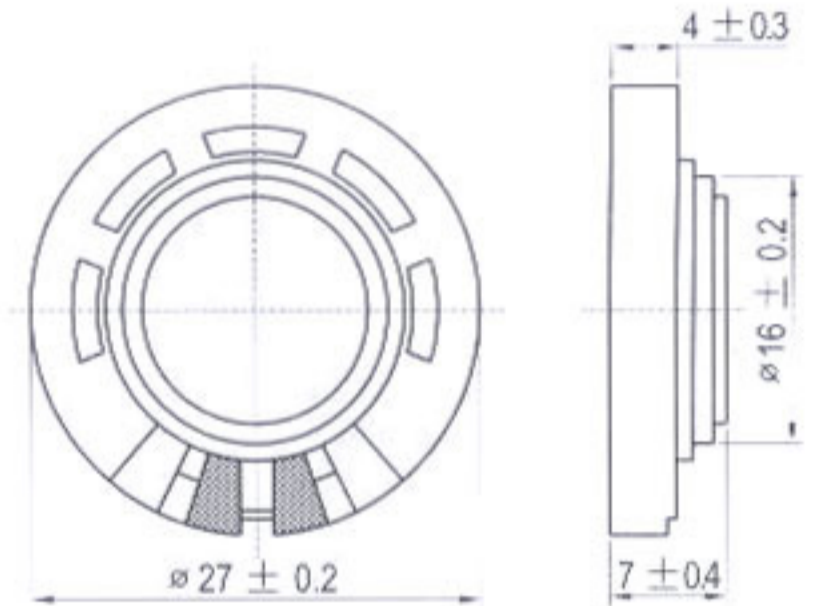
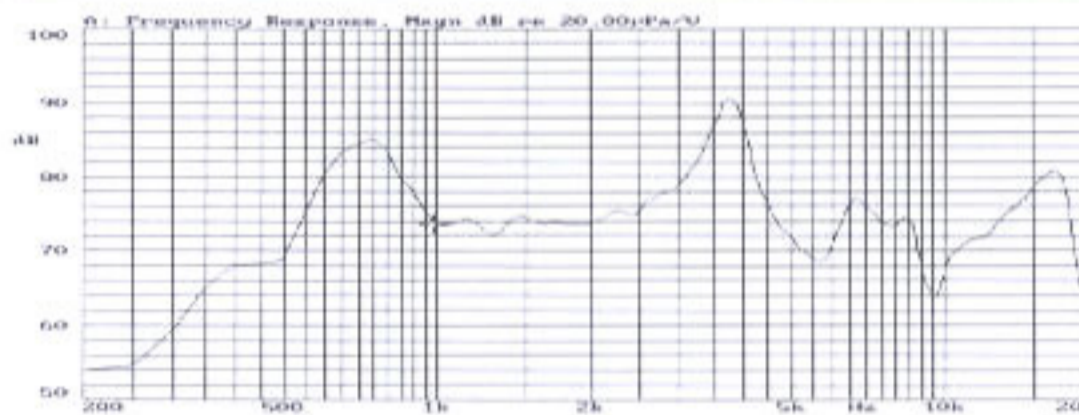
### YDB27-1F

Rated Impedance ( $\Omega$ )	$8 \pm 15\%$
Rated (Max) Power (W)	0.25 (0.4)
Resonance Frequency (Hz)	$900 \pm 20\%$
Rated Freq. Range (Hz)	f.~5000
Sound Pressure Level (dB/1m, 1w)	$78 \pm 3$
Weight (g)	7.5
Operating Temperature ( $^{\circ}\text{C}$ )	-10~+40



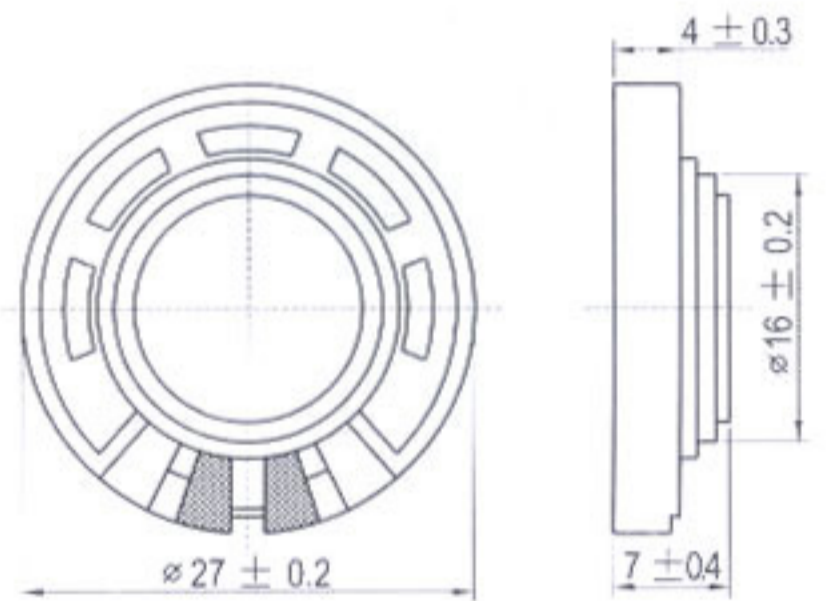
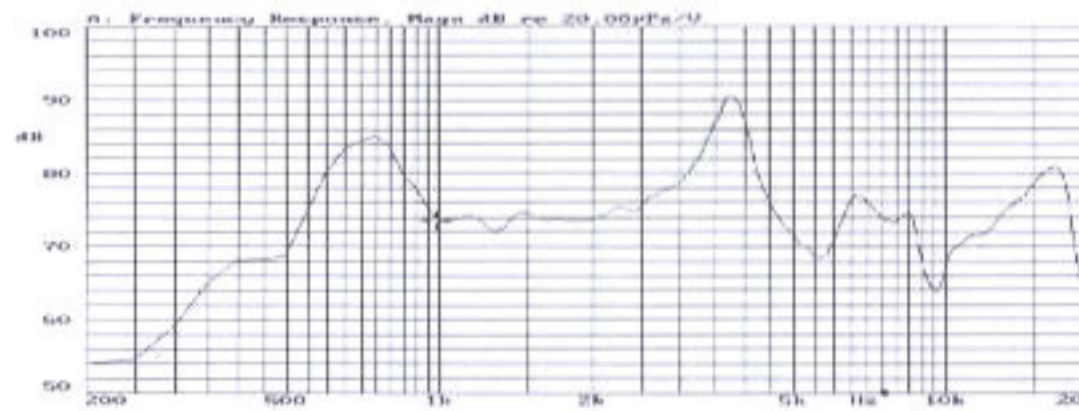
### YDB27-3

Rated Impedance ( $\Omega$ )	$8 \pm 15\%$
Rated (Max) Power (W)	0.1 (0.2)
Resonance Frequency (Hz)	$600 \pm 25\%$
Rated Freq. Range (Hz)	f.~3500
Sound Pressure Level (dB/1m, 1w)	$78 \pm 3$
Weight (g)	5
Operating Temperature ( $^{\circ}\text{C}$ )	-10~+40



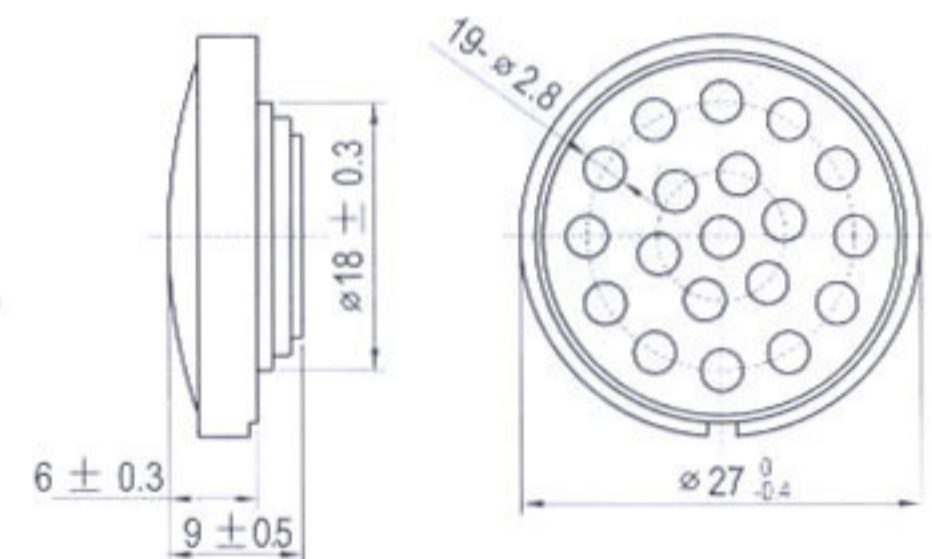
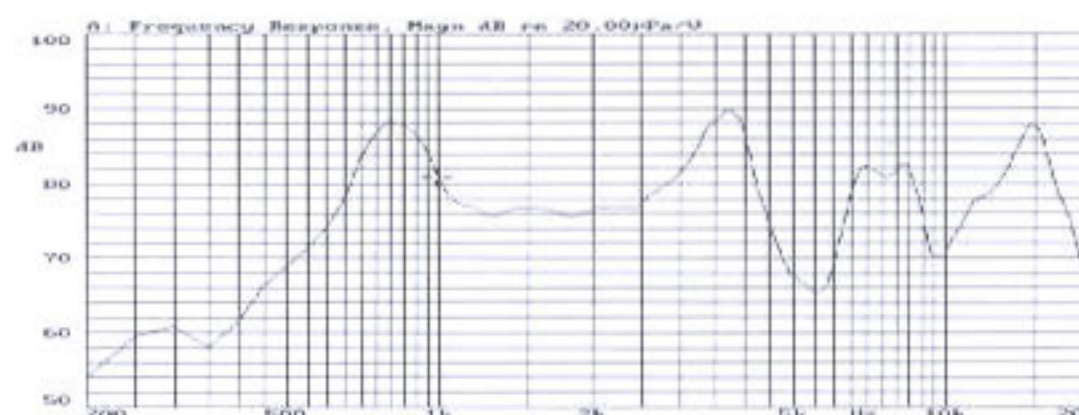
### YDB27-3P

Rated Impedance ( $\Omega$ )	$8 \pm 15\%$
Rated (Max) Power (W)	0.25 (0.4)
Resonance Frequency (Hz)	$600 \pm 25\%$
Rated Freq. Range (Hz)	f.~3500
Sound Pressure Level (dB/1m, 1w)	$78 \pm 3$
Weight (g)	5
Operating Temperature ( $^{\circ}\text{C}$ )	-10~+40



### YDB27-5A

Rated Impedance ( $\Omega$ )	$8 \pm 15\%$
Rated (Max) Power (W)	0.1 (0.2)
Resonance Frequency (Hz)	$600 \pm 25\%$
Rated Freq. Range (Hz)	f.~3500
Sound Pressure Level (dB/1m, 1w)	$78 \pm 3$
Weight (g)	7
Operating Temperature ( $^{\circ}\text{C}$ )	-10~+40

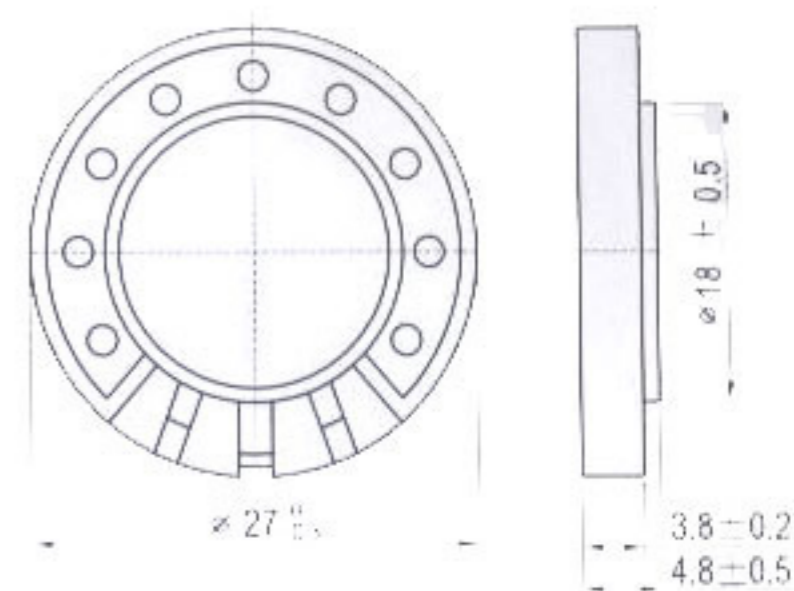
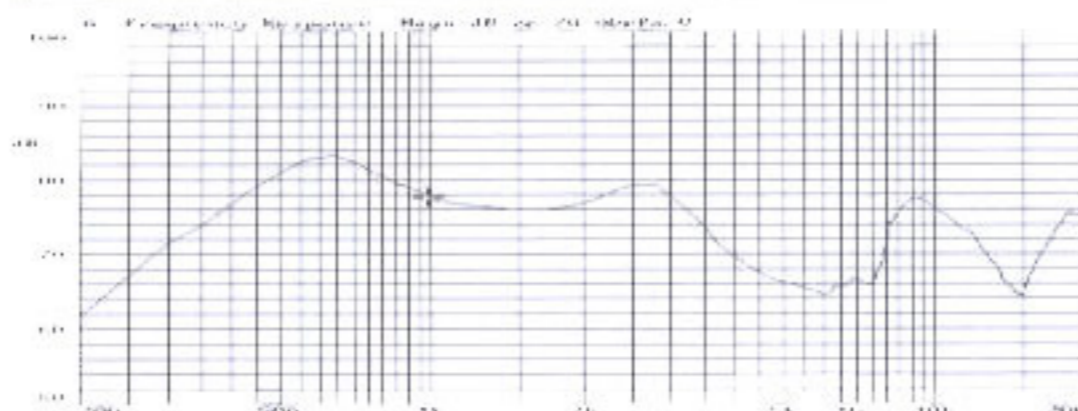






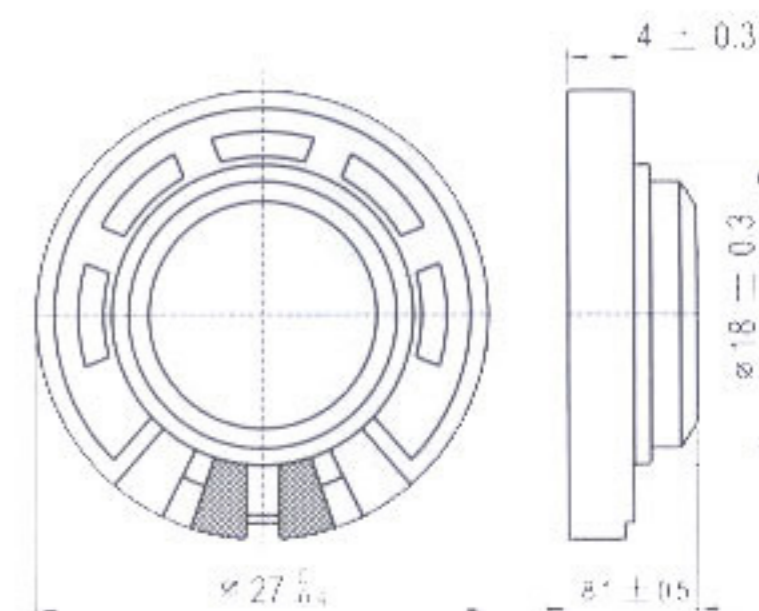
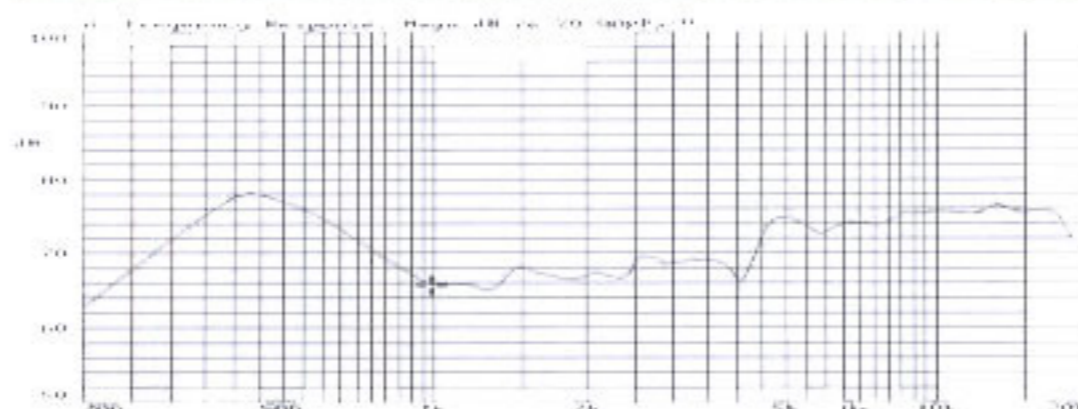
### YDB27-11

Rated Impedance ( $\Omega$ )	$8 \pm 15\%$
Rated (Max) Power (W)	0.1 (0.2)
Resonance Frequency (Hz)	$500 \pm 25\%$
Rated Freq. Range (Hz)	$f_1 \sim 2500$
Sound Pressure Level (dB/1m, 1w)	$80 \pm 3$
Weight (g)	5
Operating Temperature ( $^{\circ}\text{C}$ )	$-10 \sim +40$



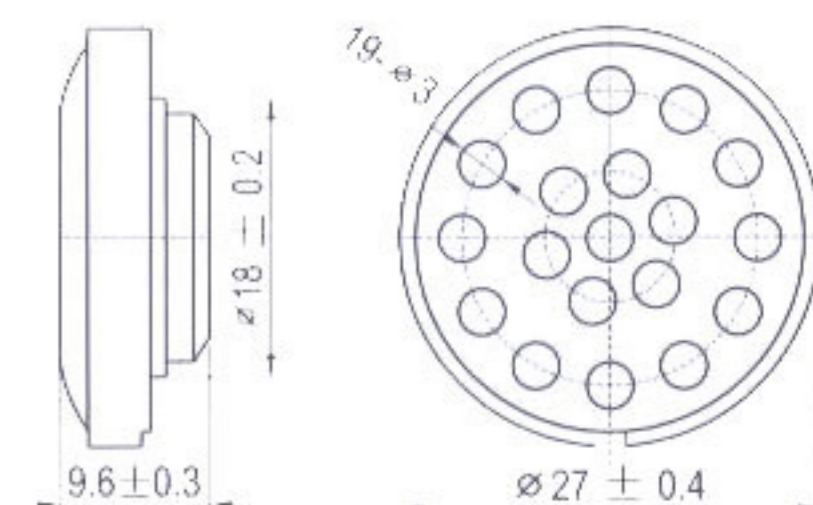
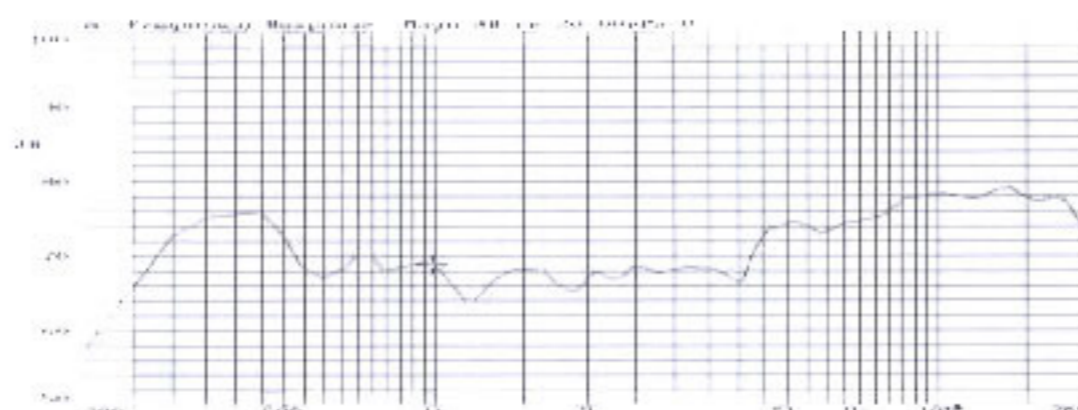
### YDB27-12

Rated Impedance ( $\Omega$ )	$8 \pm 15\%$
Rated (Max) Power (W)	0.15 (0.3)
Resonance Frequency (Hz)	$300 \pm 20\%$
Rated Freq. Range (Hz)	$f_1 \sim 3000$
Sound Pressure Level (dB/1m, 1w)	$68 \pm 3$
Weight (g)	6.5
Operating Temperature ( $^{\circ}\text{C}$ )	$-10 \sim +40$



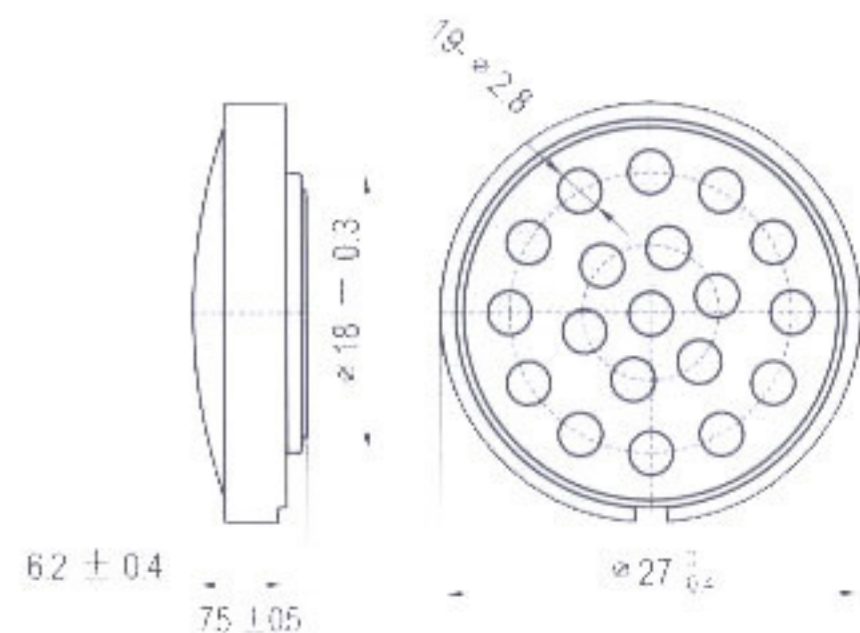
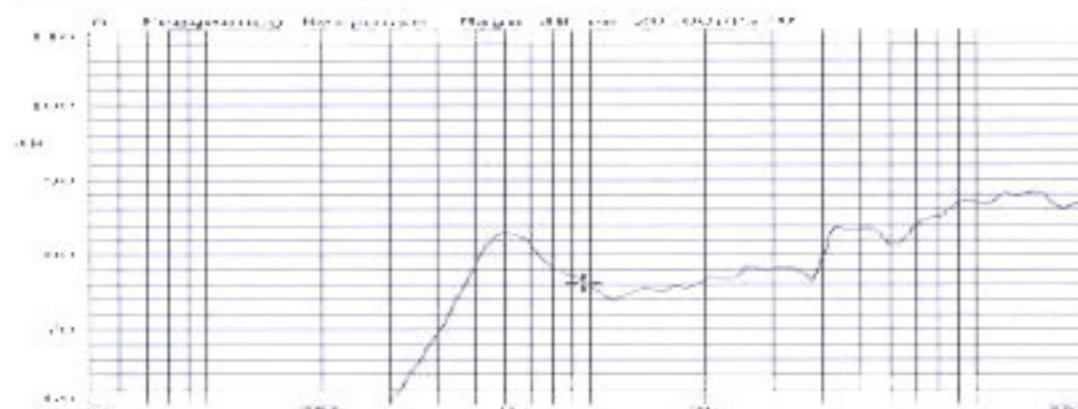
### YDB27-12A

Rated Impedance ( $\Omega$ )	$8 \pm 15\%$
Rated (Max) Power (W)	0.15 (0.3)
Resonance Frequency (Hz)	$300 \pm 20\%$
Rated Freq. Range (Hz)	$f_1 \sim 5000$
Sound Pressure Level (dB/1m, 1w)	$68 \pm 3$
Weight (g)	7
Operating Temperature ( $^{\circ}\text{C}$ )	$-10 \sim +40$



### YDB27-13

Rated Impedance ( $\Omega$ )	$8 \pm 15\%$
Rated (Max) Power (W)	0.1 (0.2)
Resonance Frequency (Hz)	$600 \pm 20\%$
Rated Freq. Range (Hz)	$f_1 \sim 4000$
Sound Pressure Level (dB/1m, 1w)	$77 \pm 3$
Weight (g)	6
Operating Temperature ( $^{\circ}\text{C}$ )	$-10 \sim +40$

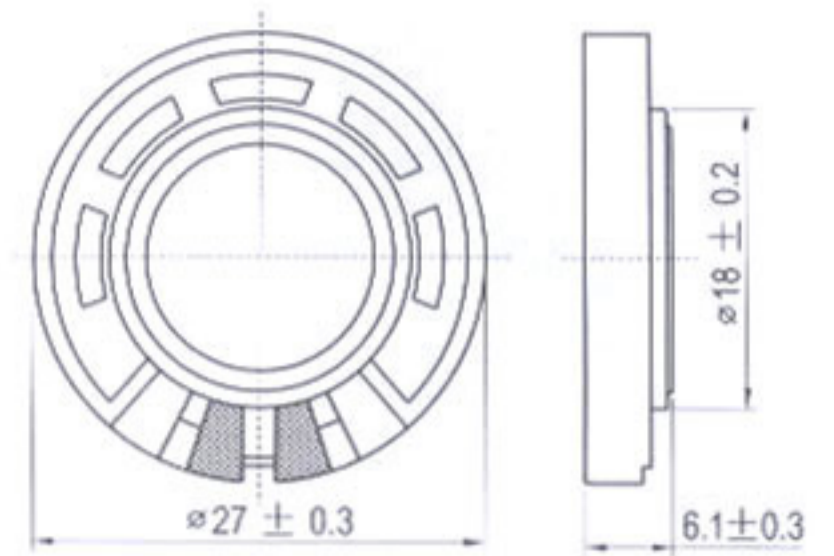
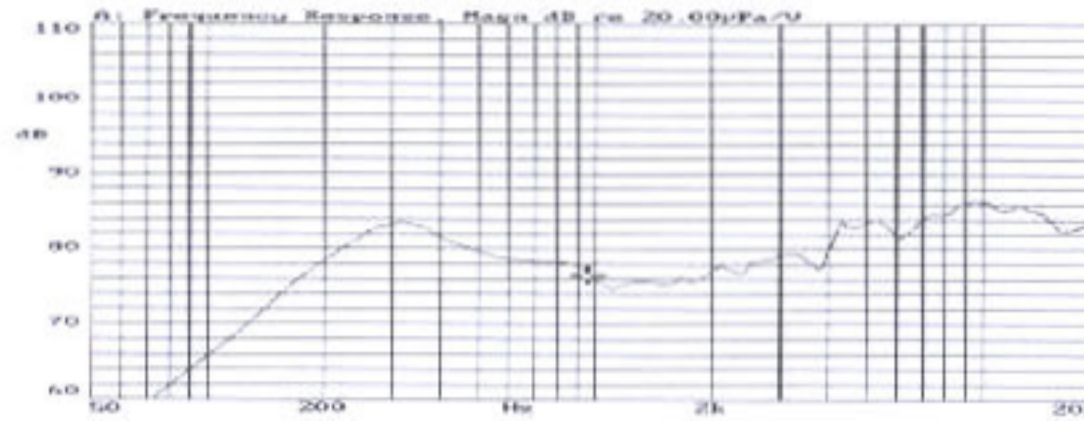






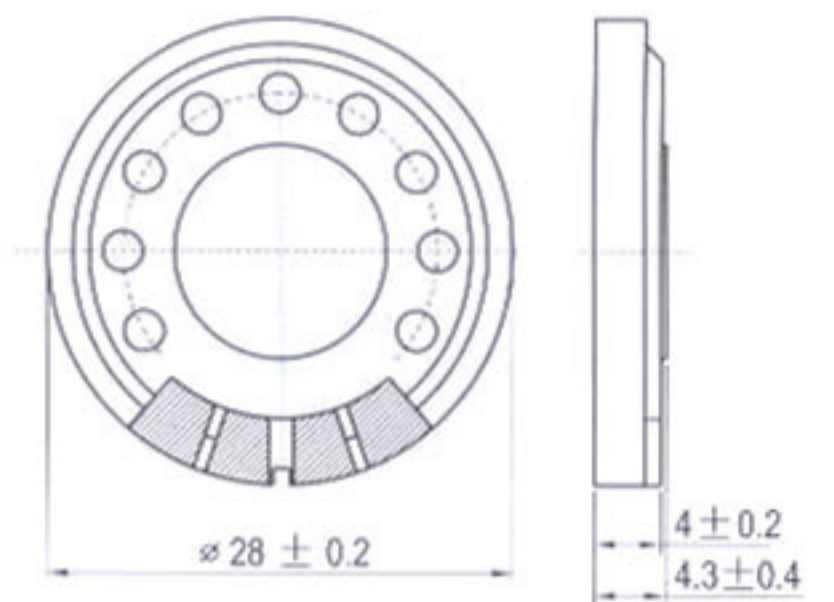
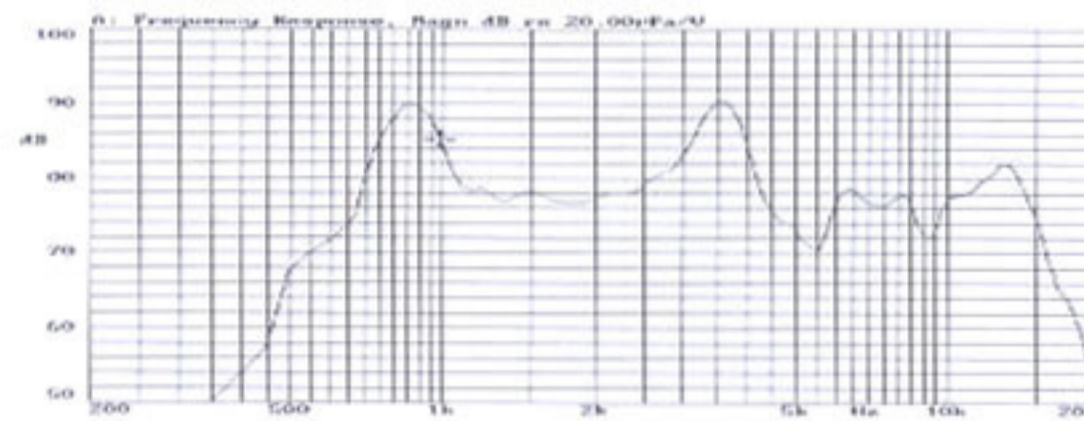
### YDB27-14

Rated Impedance ( $\Omega$ )	8 $\pm$ 15%
Rated (Max) Power (W)	0.1 (0.2)
Resonance Frequency (Hz)	360 $\pm$ 20%
Rated Freq. Range (Hz)	f. $\sim$ 5000
Sound Pressure Level (dB/1m, 1w)	78 $\pm$ 3
Weight (g)	5
Operating Temperature ( $^{\circ}$ C)	-10 $\sim$ +40



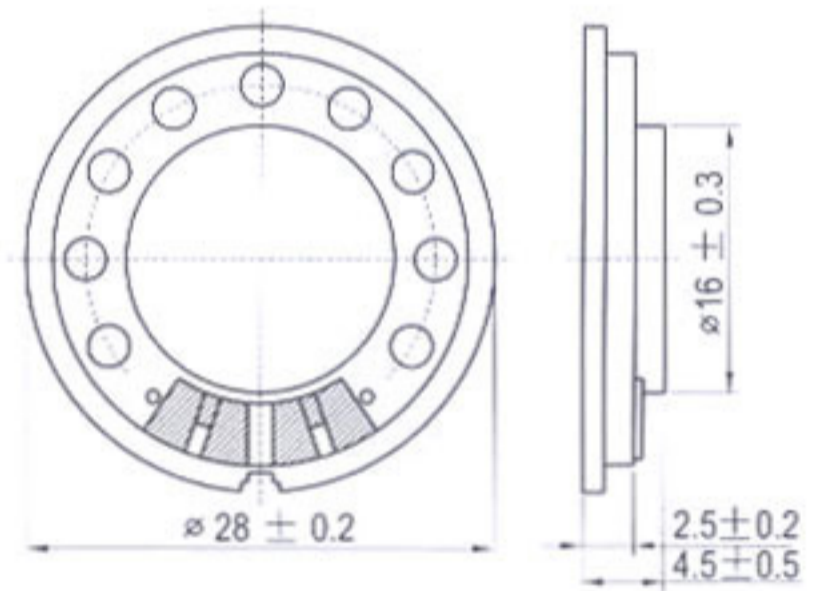
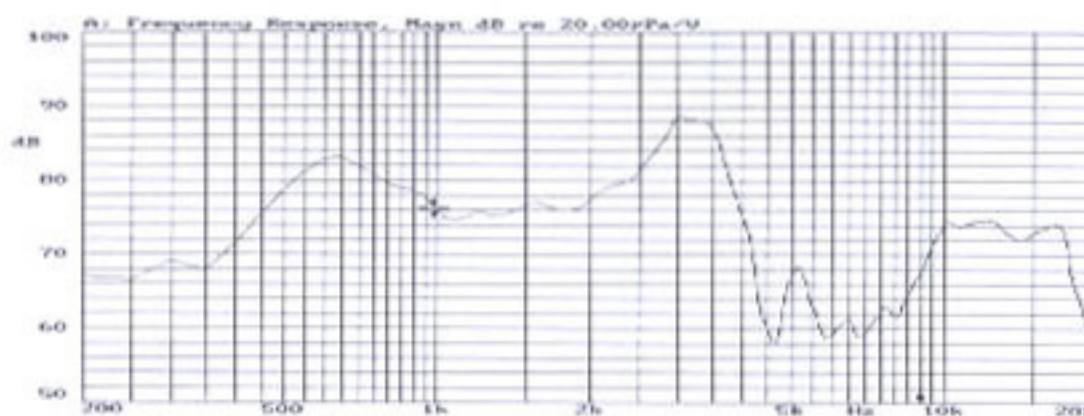
### YDB28-11

Rated Impedance ( $\Omega$ )	8 $\pm$ 15%
Rated (Max) Power (W)	0.1 (0.2)
Resonance Frequency (Hz)	700 $\pm$ 20%
Rated Freq. Range (Hz)	f. $\sim$ 3500
Sound Pressure Level (dB/1m, 1w)	78 $\pm$ 3
Weight (g)	3
Operating Temperature ( $^{\circ}$ C)	-10 $\sim$ +40



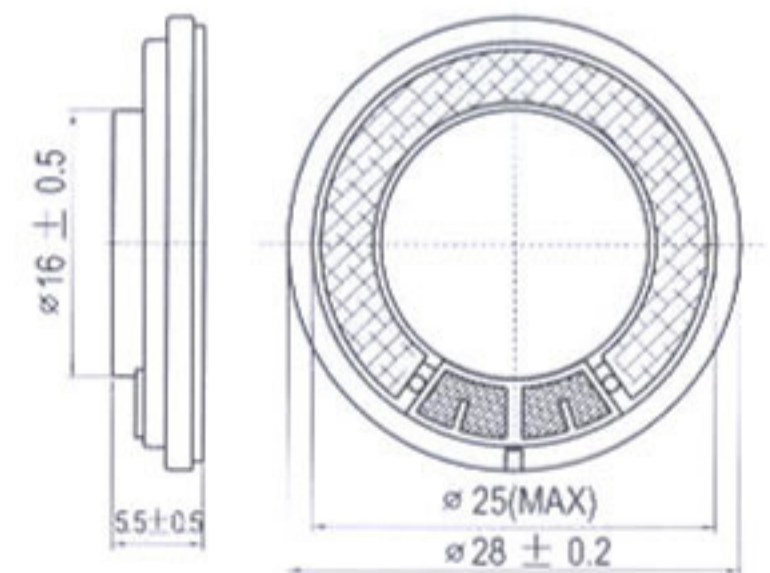
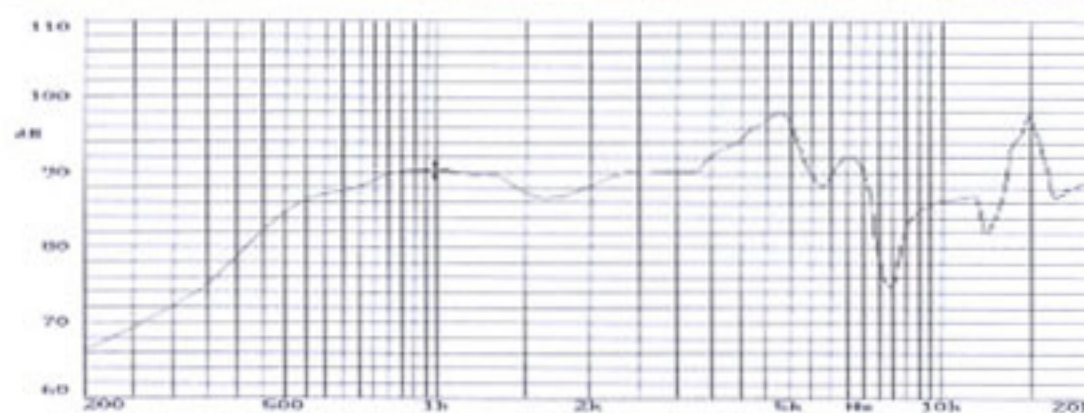
### YDB28-12

Rated Impedance ( $\Omega$ )	8 $\pm$ 15%
Rated (Max) Power (W)	0.1 (0.2)
Resonance Frequency (Hz)	600 $\pm$ 20%
Rated Freq. Range (Hz)	f. $\sim$ 5000
Sound Pressure Level (dB/1m, 1w)	82 $\pm$ 3
Weight (g)	7
Operating Temperature ( $^{\circ}$ C)	-10 $\sim$ +40

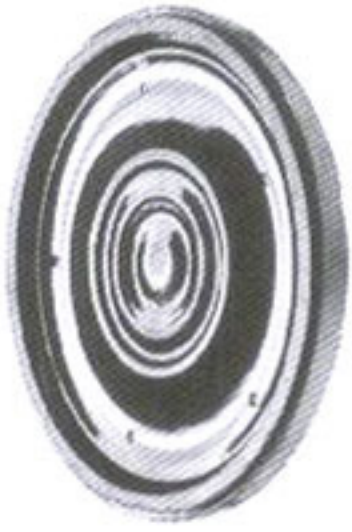


### YDB28-13

Rated Impedance ( $\Omega$ )	8 $\pm$ 15%
Rated (Max) Power (W)	0.5 (1)
Resonance Frequency (Hz)	650 $\pm$ 20%
Rated Freq. Range (Hz)	f. $\sim$ 5000
Sound Pressure Level (dB/0.1m, 0.1w)	92 $\pm$ 3
Weight (g)	7
Operating Temperature ( $^{\circ}$ C)	-40 $\sim$ +70

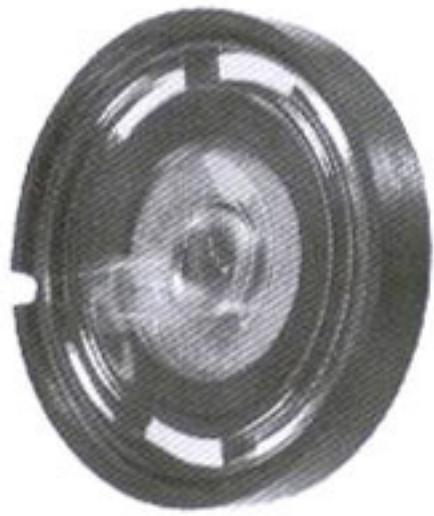
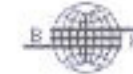
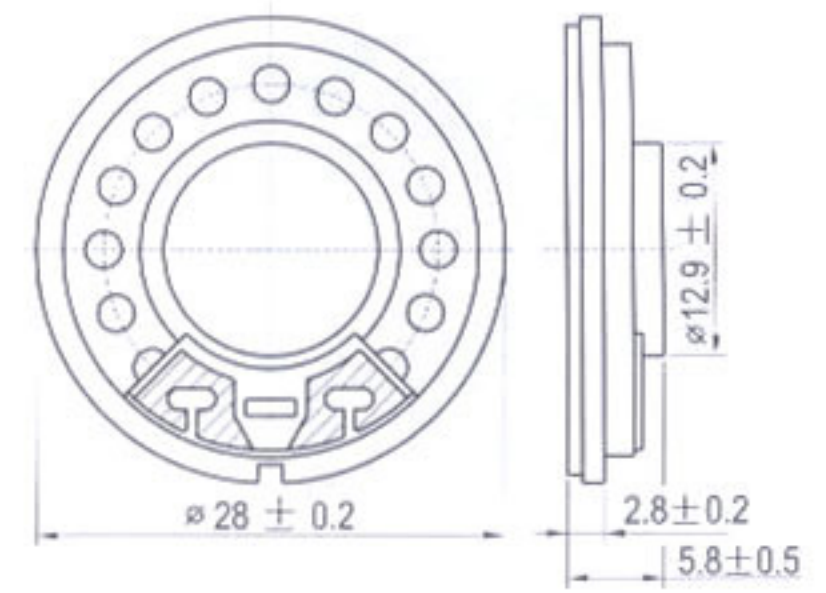
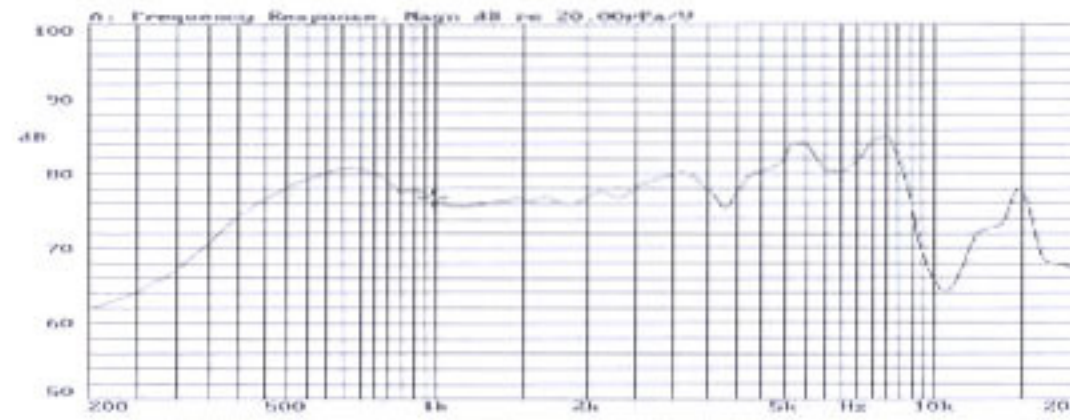






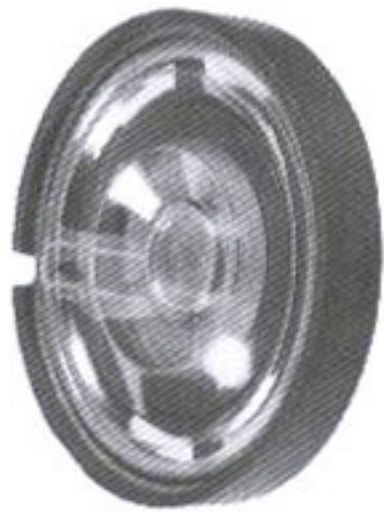
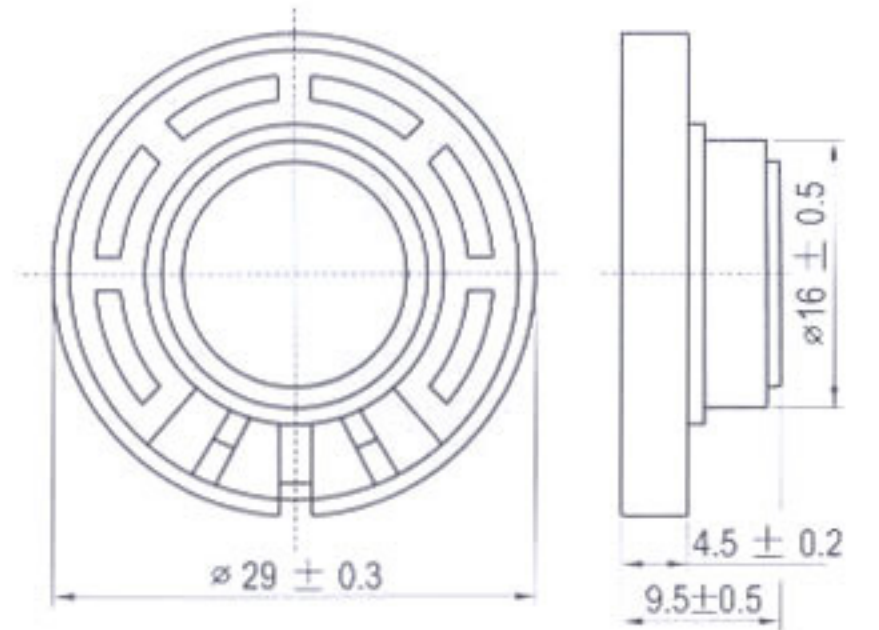
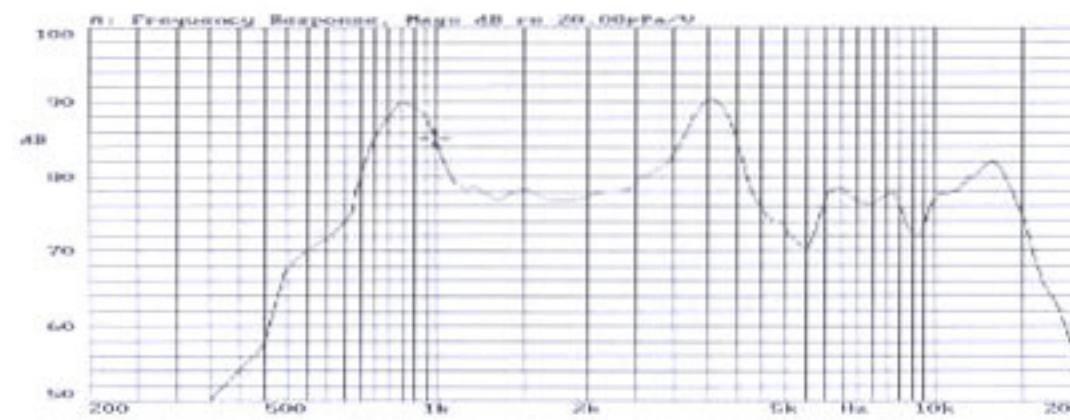
### YDB28-14

Rated Impedance ( $\Omega$ )	8 $\pm$ 15%
Rated (Max) Power (W)	0.3 (0.5)
Resonance Frequency (Hz)	500 $\pm$ 20%
Rated Freq. Range (Hz)	f. $\sim$ 5000
Sound Pressure Level (dB/1m, 1w)	78 $\pm$ 3
Weight (g)	5.5
Operating Temperature ( $^{\circ}$ C)	-10 $\sim$ +40



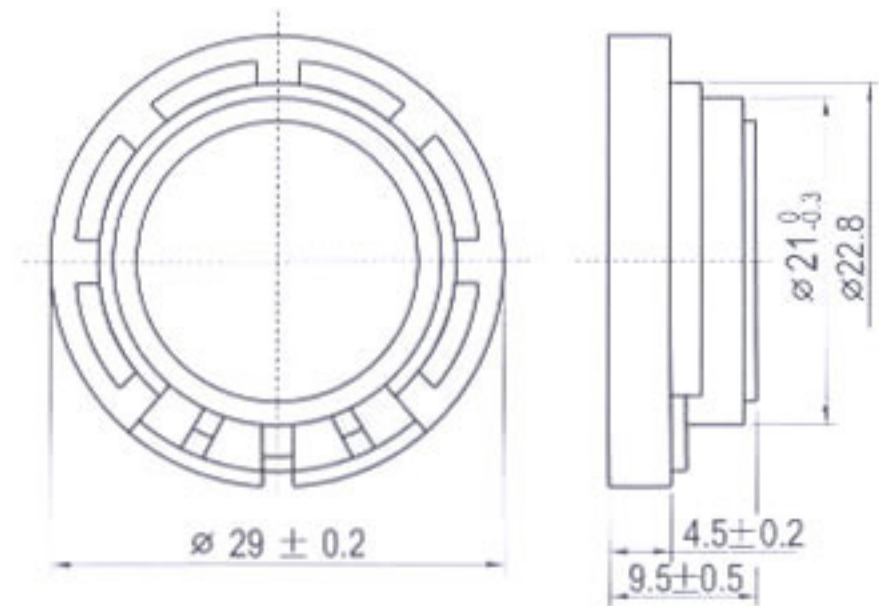
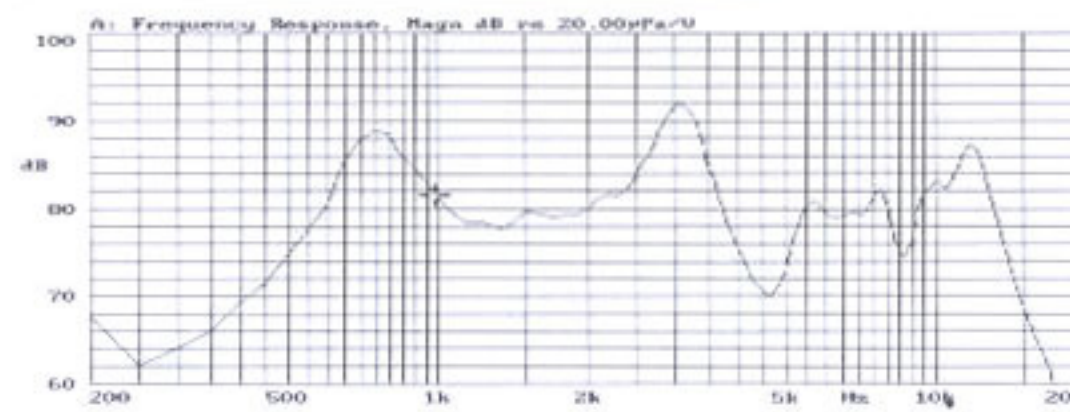
### YDB29-1

Rated Impedance ( $\Omega$ )	8 $\pm$ 20%
Rated (Max) Power (W)	0.1 (0.2)
Resonance Frequency (Hz)	600 $\pm$ 25%
Rated Freq. Range (Hz)	f. $\sim$ 3500
Sound Pressure Level (dB/1m, 1w)	78 $\pm$ 3
Weight (g)	7.5
Operating Temperature ( $^{\circ}$ C)	-10 $\sim$ +40



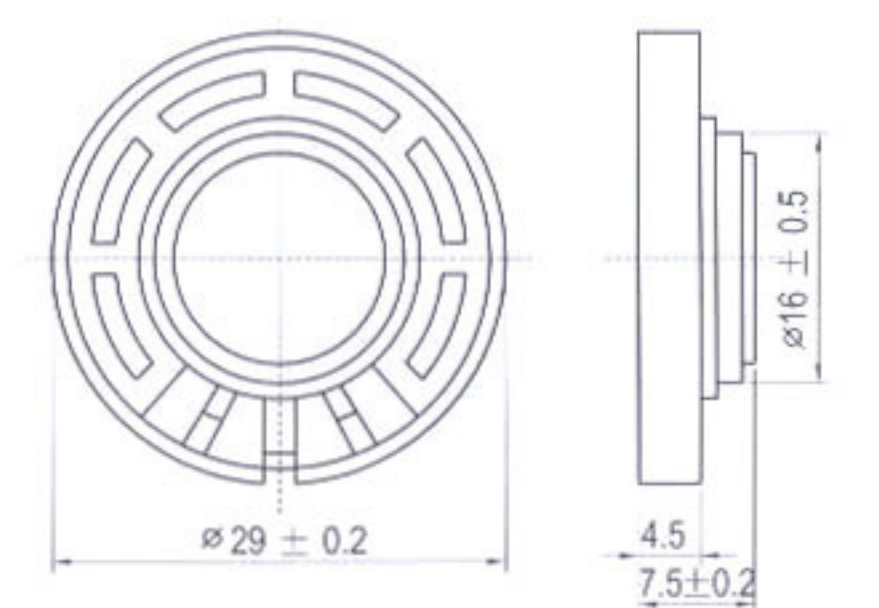
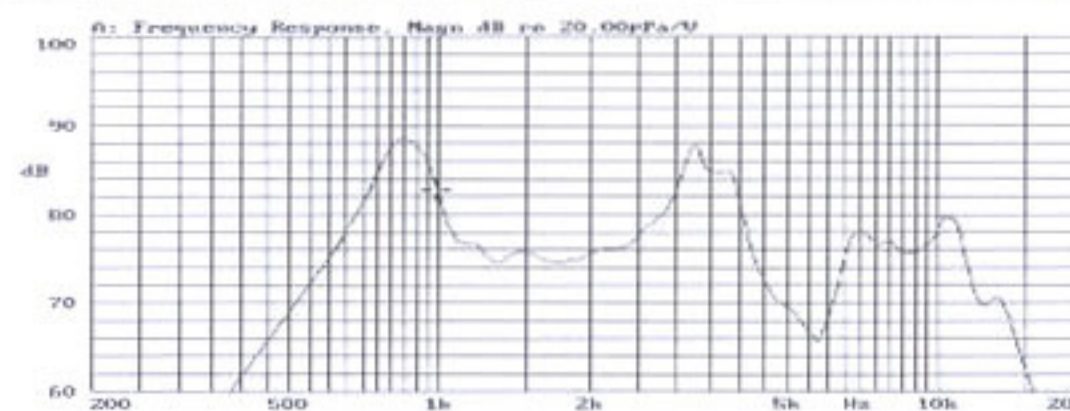
### YDB29-2

Rated Impedance ( $\Omega$ )	8 $\pm$ 15%
Rated (Max) Power (W)	0.15 (0.3)
Resonance Frequency (Hz)	700 $\pm$ 25%
Rated Freq. Range (Hz)	f. $\sim$ 3500
Sound Pressure Level (dB/1m, 1w)	82 $\pm$ 3
Weight (g)	12.5
Operating Temperature ( $^{\circ}$ C)	-10 $\sim$ +40



### YDB29-3

Rated Impedance ( $\Omega$ )	8 $\pm$ 15%
Rated (Max) Power (W)	0.1 (0.2)
Resonance Frequency (Hz)	600 $\pm$ 25%
Rated Freq. Range (Hz)	f. $\sim$ 3500
Sound Pressure Level (dB/1m, 1w)	78 $\pm$ 3
Weight (g)	5.5
Operating Temperature ( $^{\circ}$ C)	-10 $\sim$ +40

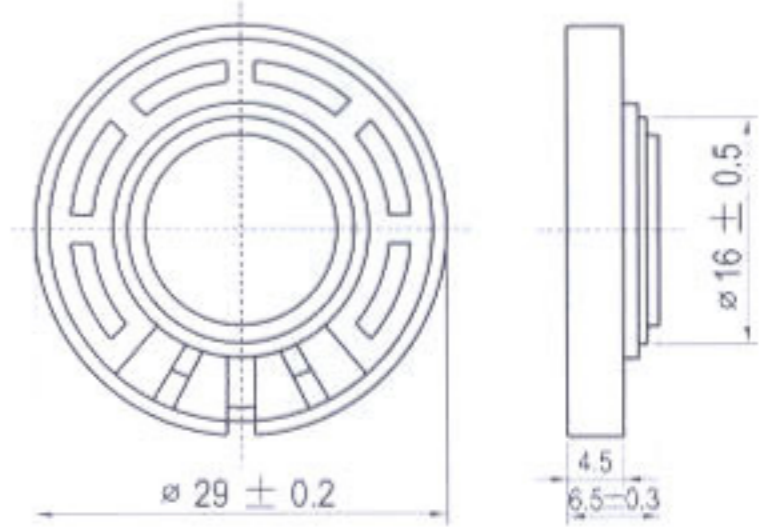
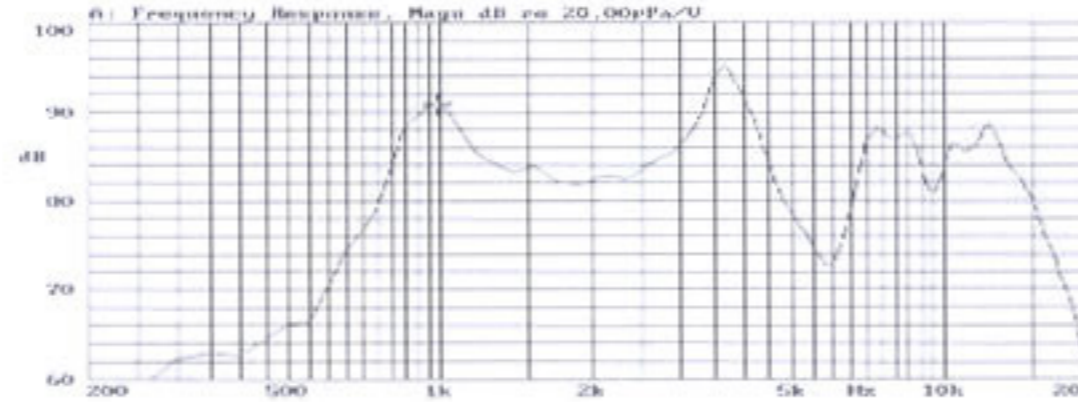






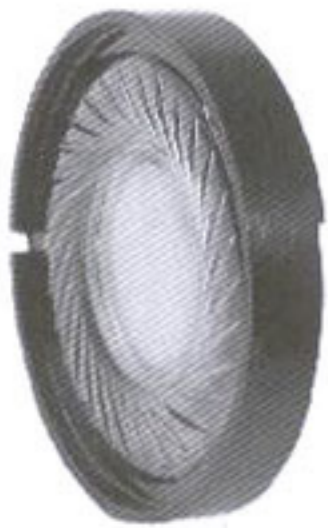
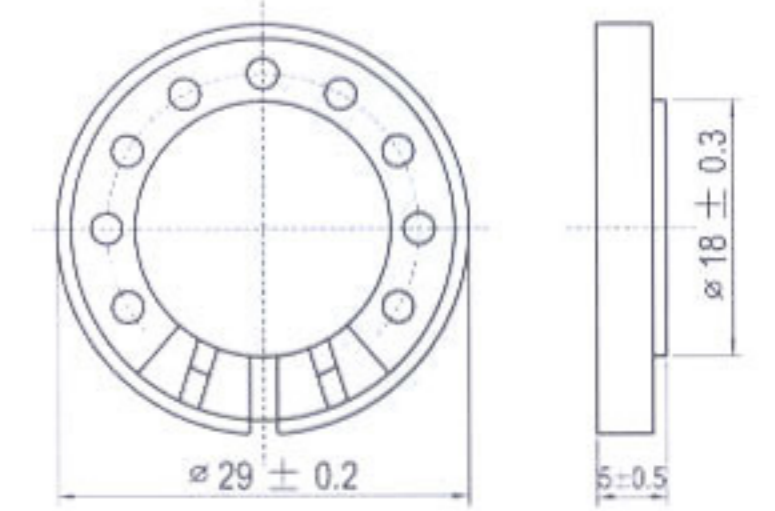
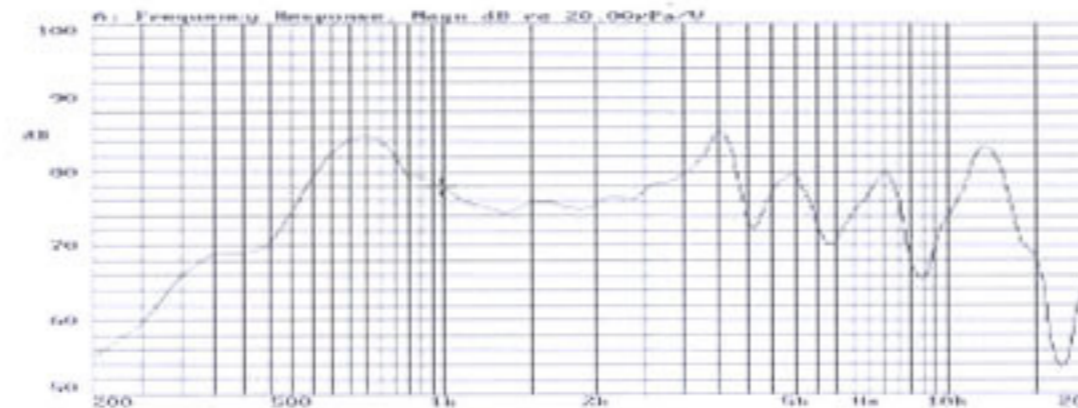
### YDB29-4

Rated Impedance ( $\Omega$ )	$8 \pm 15\%$
Rated (Max) Power (W)	0.1 (0.2)
Resonance Frequency (Hz)	$600 \pm 25\%$
Rated Freq. Range (Hz)	$f_s \sim 4000$
Sound Pressure Level (dB/1m, 1w)	$83 \pm 3$
Weight (g)	6
Operating Temperature ( $^{\circ}\text{C}$ )	$-10 \sim +40$



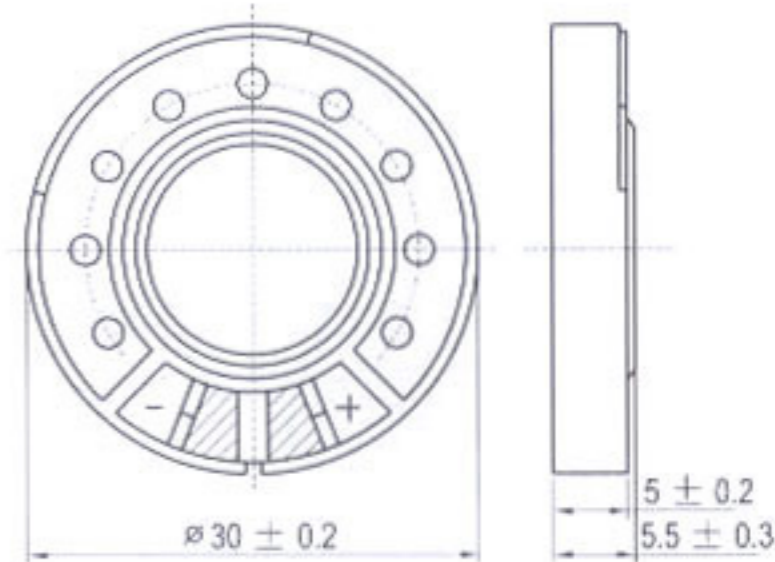
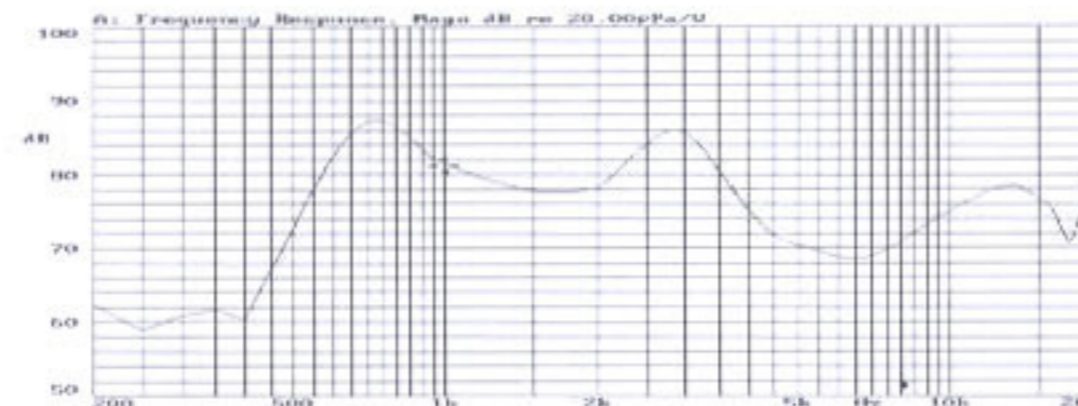
### YDB29-11

Rated Impedance ( $\Omega$ )	$8 \pm 15\%$
Rated (Max) Power (W)	0.1 (0.2)
Resonance Frequency (Hz)	$550 \pm 20\%$
Rated Freq. Range (Hz)	$f_s \sim 3500$
Sound Pressure Level (dB/1m, 1w)	$80 \pm 3$
Weight (g)	5
Operating Temperature ( $^{\circ}\text{C}$ )	$-10 \sim +40$



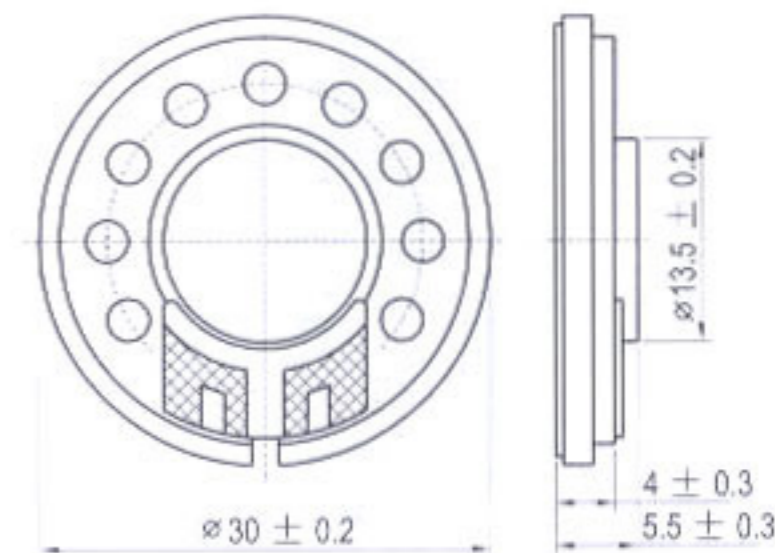
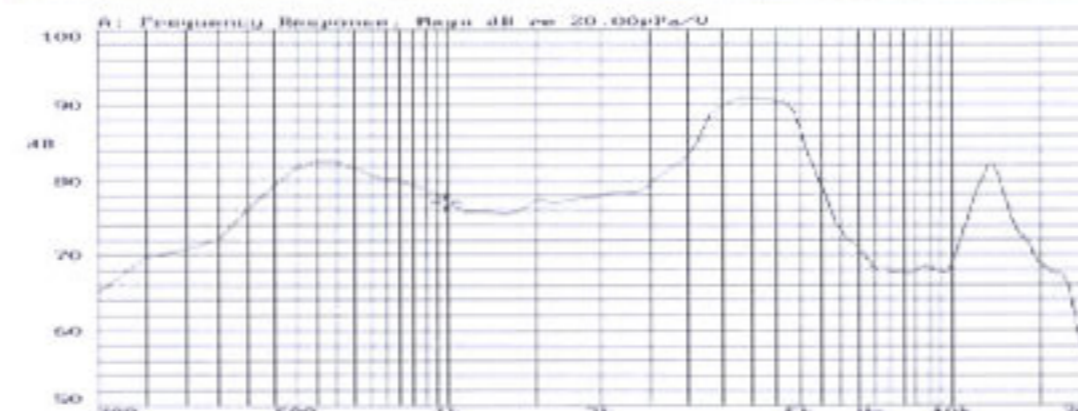
### YDB30-11

Rated Impedance ( $\Omega$ )	$8 \pm 15\%$
Rated (Max) Power (W)	0.1 (0.2)
Resonance Frequency (Hz)	$700 \pm 25\%$
Rated Freq. Range (Hz)	$f_s \sim 3400$
Sound Pressure Level (dB/1m, 1w)	$78 \pm 3$
Weight (g)	5.5
Operating Temperature ( $^{\circ}\text{C}$ )	$-10 \sim +40$



### YDB30-12

Rated Impedance ( $\Omega$ )	$8 \pm 15\%$
Rated (Max) Power (W)	0.1 (0.2)
Resonance Frequency (Hz)	$550 \pm 20\%$
Rated Freq. Range (Hz)	$f_s \sim 5000$
Sound Pressure Level (dB/1m, 1w)	$80 \pm 3$
Weight (g)	8
Operating Temperature ( $^{\circ}\text{C}$ )	$-10 \sim +40$

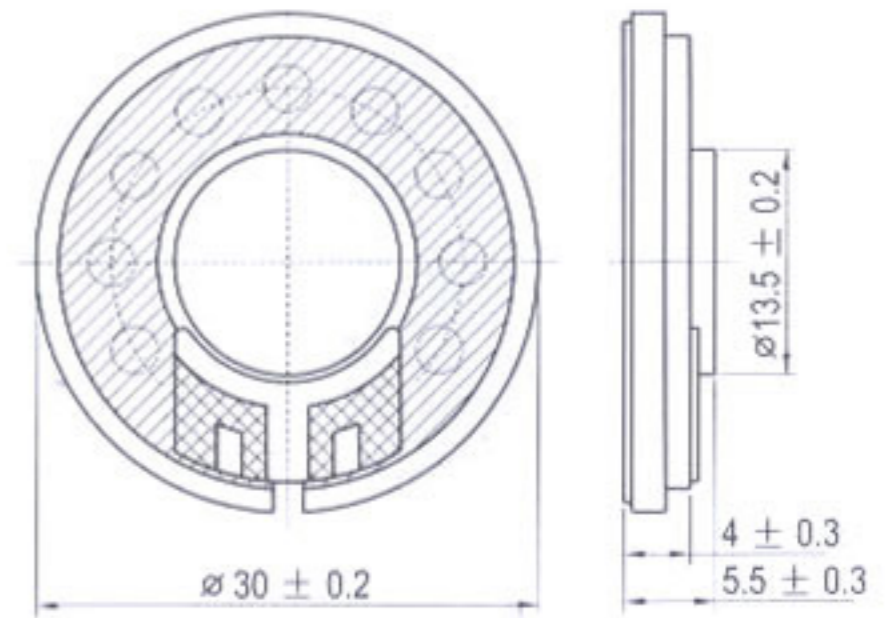
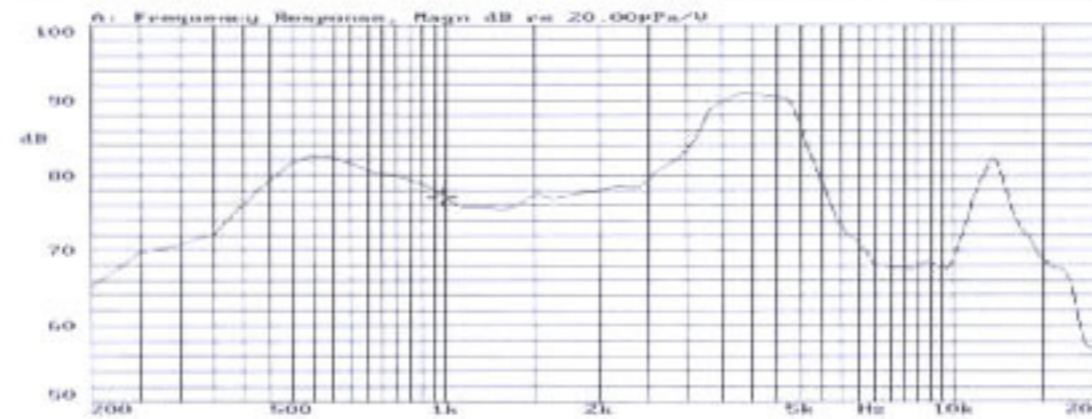






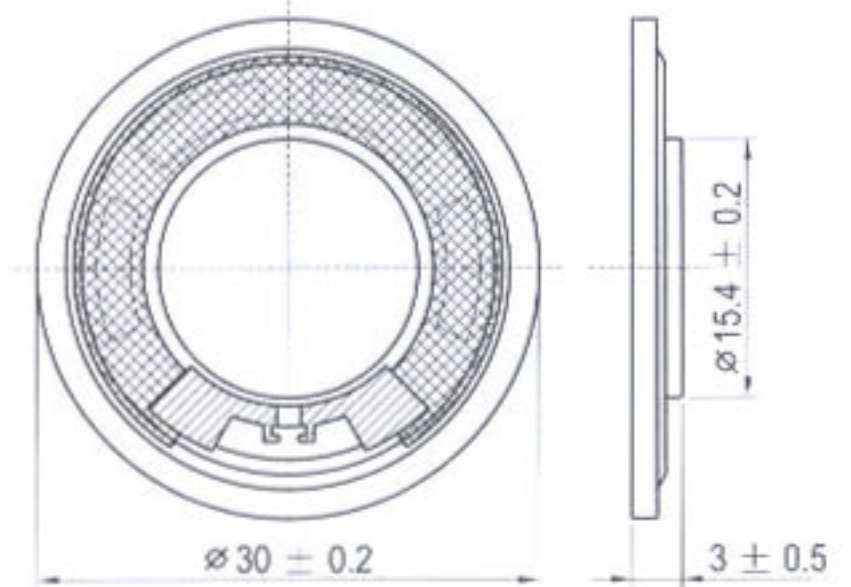
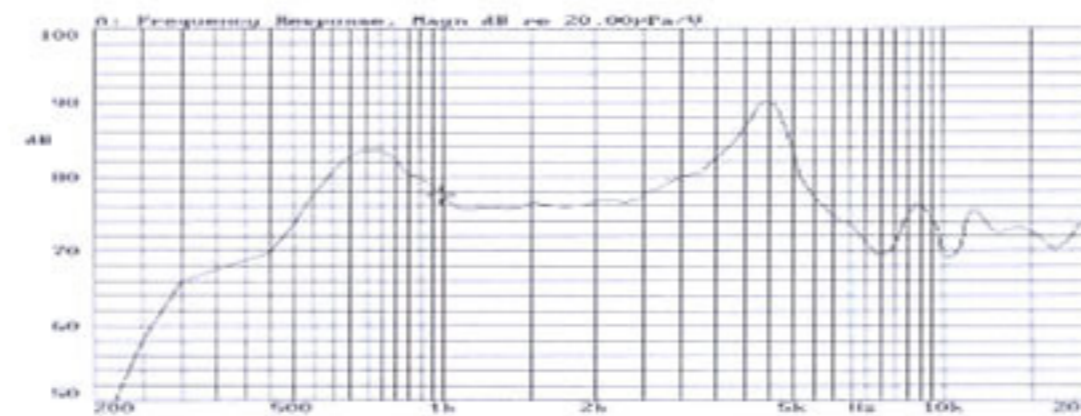
### YDB30-12P

Rated Impedance ( $\Omega$ )	8 $\pm$ 15%
Rated (Max) Power (W)	1 (2)
Resonance Frequency (Hz)	650 $\pm$ 20%
Rated Freq. Range (Hz)	f. $_r$ ~5000
Sound Pressure Level (dB/1m, 1w)	82 $\pm$ 3
Weight (g)	8
Operating Temperature ( $^{\circ}$ C)	-20~+50



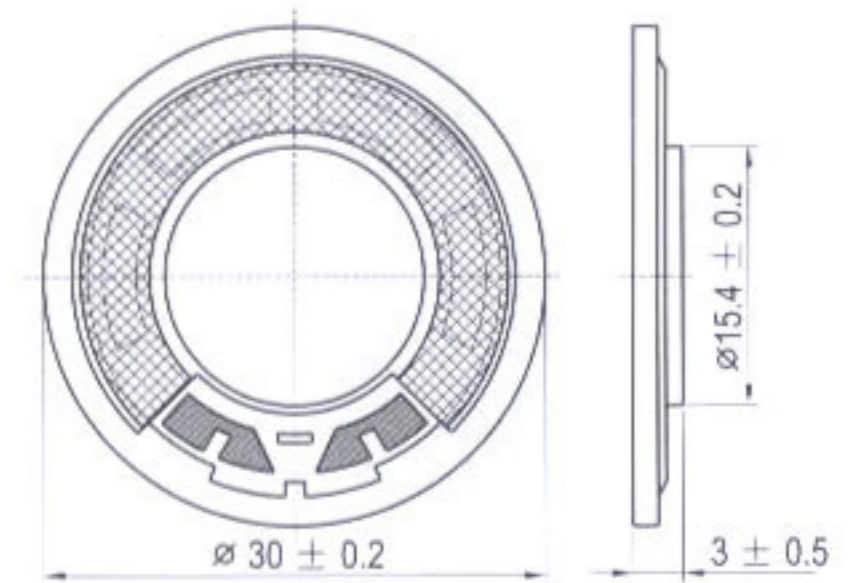
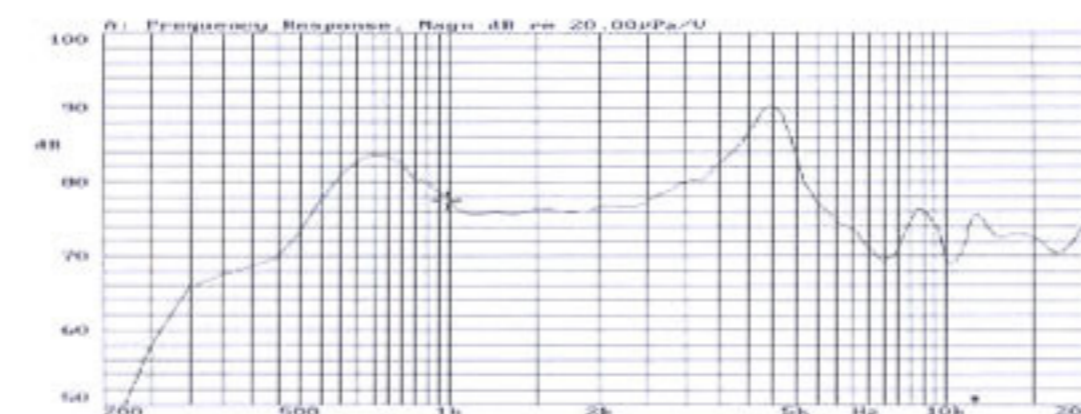
### YDB30-15

Rated Impedance ( $\Omega$ )	8 $\pm$ 15%
Rated (Max) Power (W)	0.1 (0.15)
Resonance Frequency (Hz)	600 $\pm$ 20%
Rated Freq. Range (Hz)	f. $_r$ ~5000
Sound Pressure Level (dB/1m, 1w)	81 $\pm$ 2
Weight (g)	5
Operating Temperature ( $^{\circ}$ C)	-10~+40



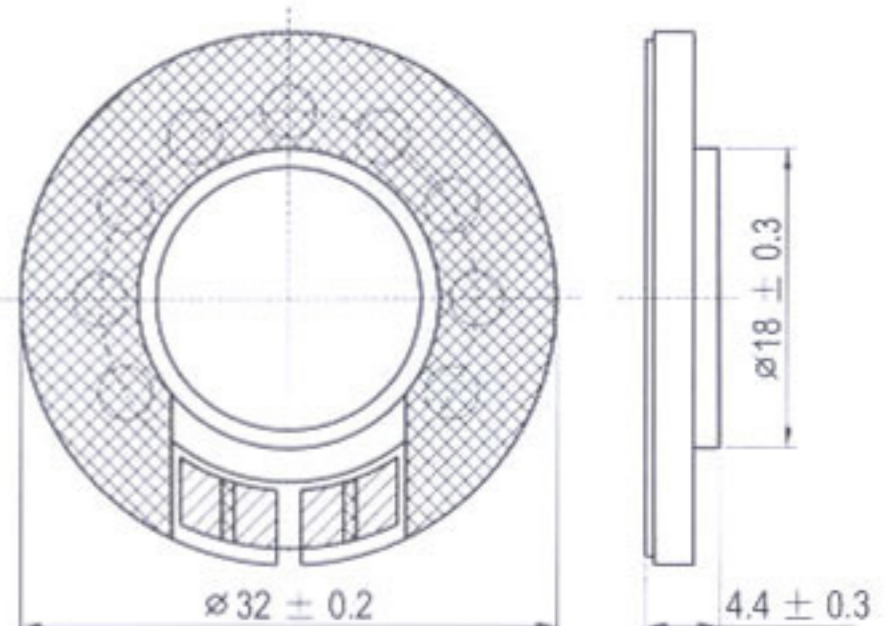
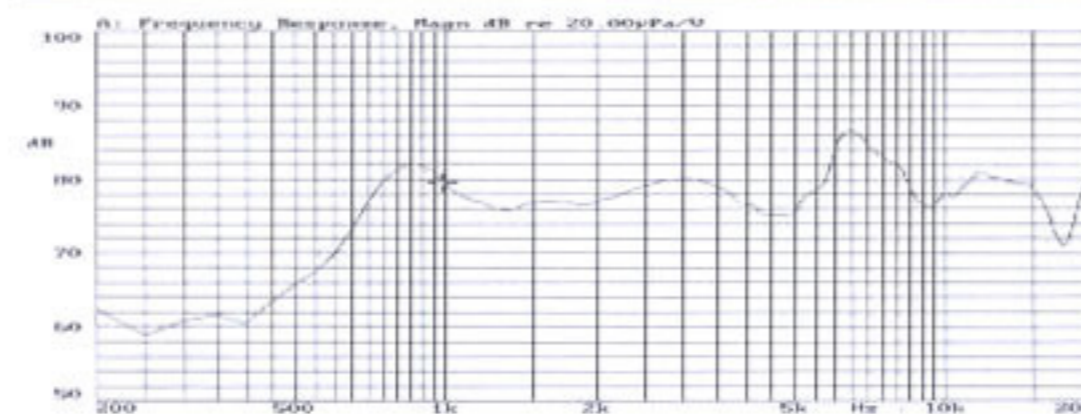
### YDB30-16

Rated Impedance ( $\Omega$ )	8 $\pm$ 15%
Rated (Max) Power (W)	0.25 (0.4)
Resonance Frequency (Hz)	600 $\pm$ 25%
Rated Freq. Range (Hz)	f. $_r$ ~3500
Sound Pressure Level (dB/1m, 1w)	78 $\pm$ 3
Weight (g)	5
Operating Temperature ( $^{\circ}$ C)	-20~+50



### YDB32-11

Rated Impedance ( $\Omega$ )	8 $\pm$ 15%
Rated (Max) Power (W)	0.5 (1)
Resonance Frequency (Hz)	500 $\pm$ 20%
Rated Freq. Range (Hz)	f. $_r$ ~4000
Sound Pressure Level (dB/1m, 1w)	90 $\pm$ 2
Weight (g)	5.5
Operating Temperature ( $^{\circ}$ C)	-20~+50

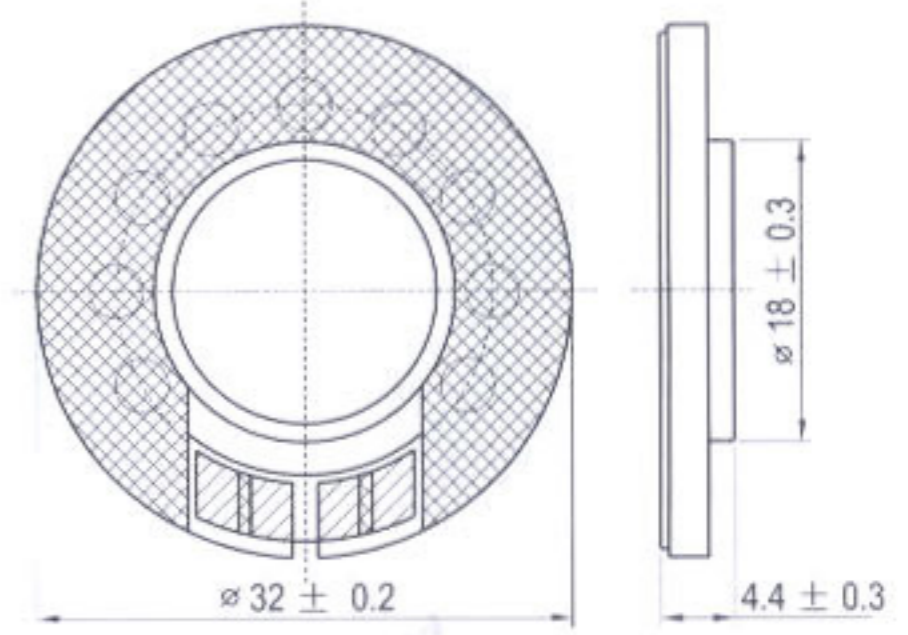
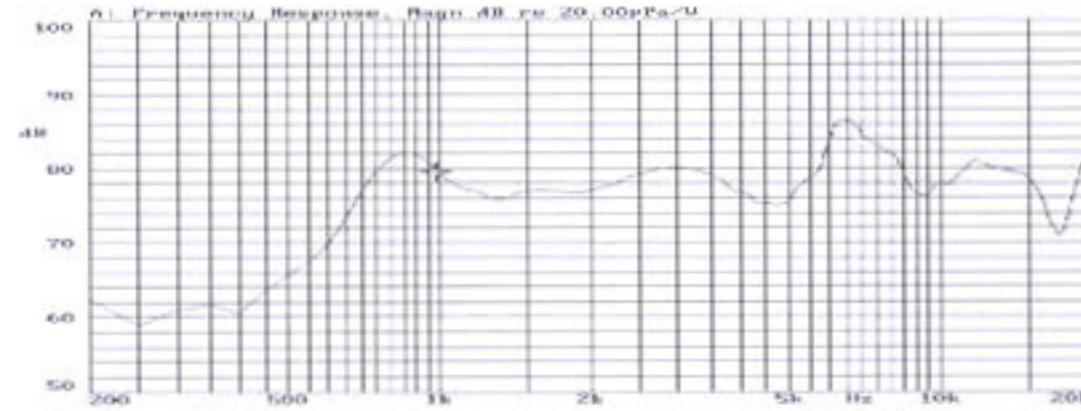






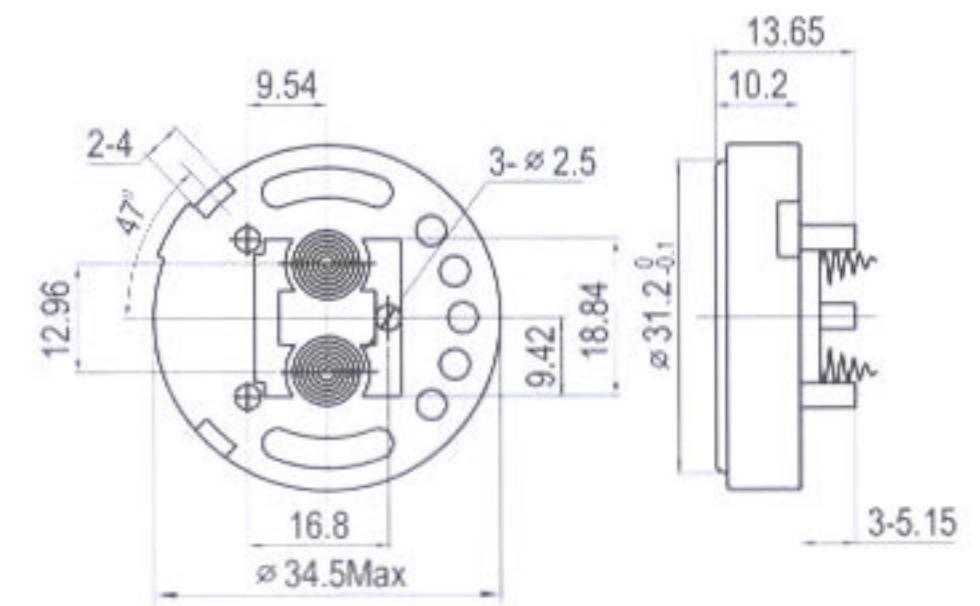
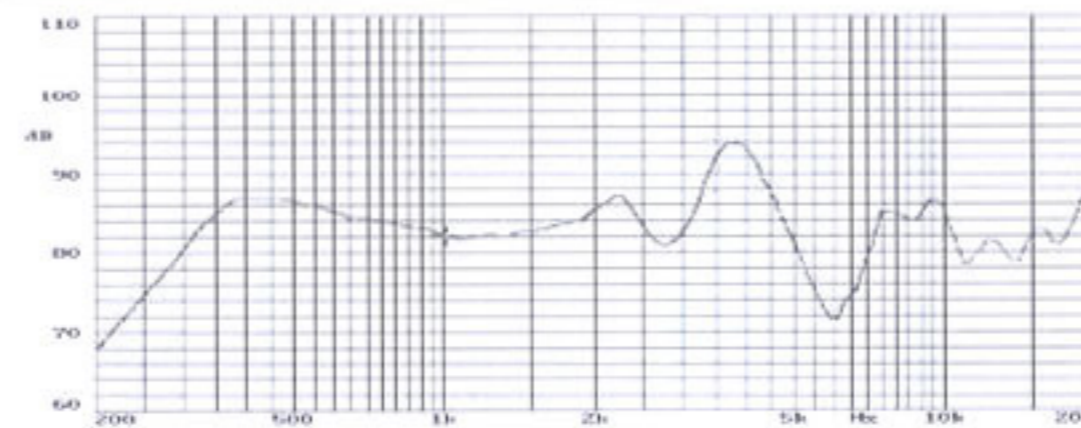
### YDB32-11P

Rated Impedance ( $\Omega$ )	$4 \pm 15\%$
Rated (Max) Power (W)	1 (1.2)
Resonance Frequency (Hz)	$650 \pm 20\%$
Rated Freq. Range (Hz)	$f_c \sim 4000$
Sound Pressure Level (dB/1m, 1w)	$90 \pm 2$
Weight (g)	5.5
Operating Temperature ( $^{\circ}\text{C}$ )	$-20 \sim +50$



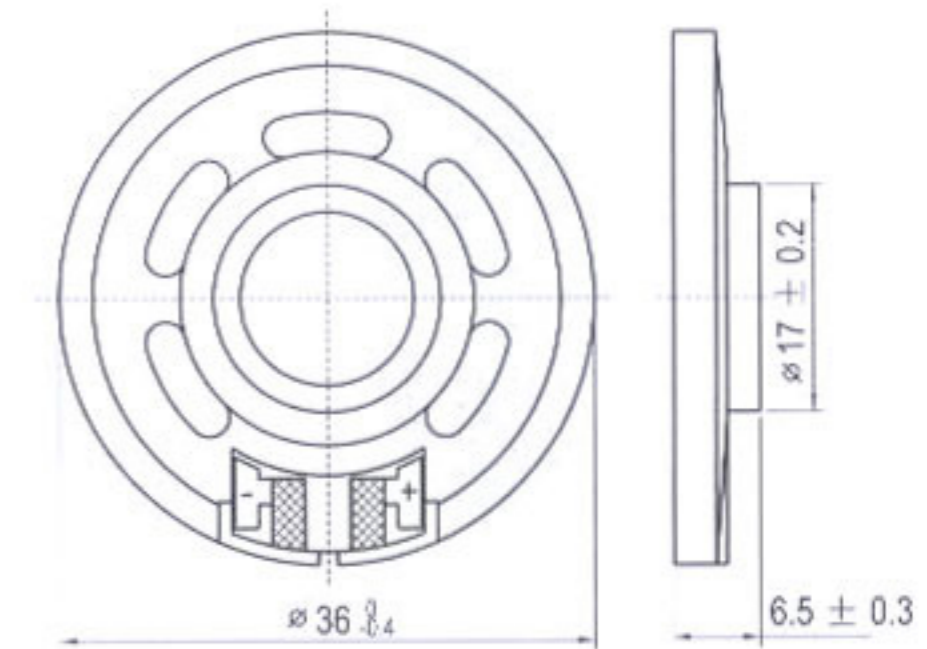
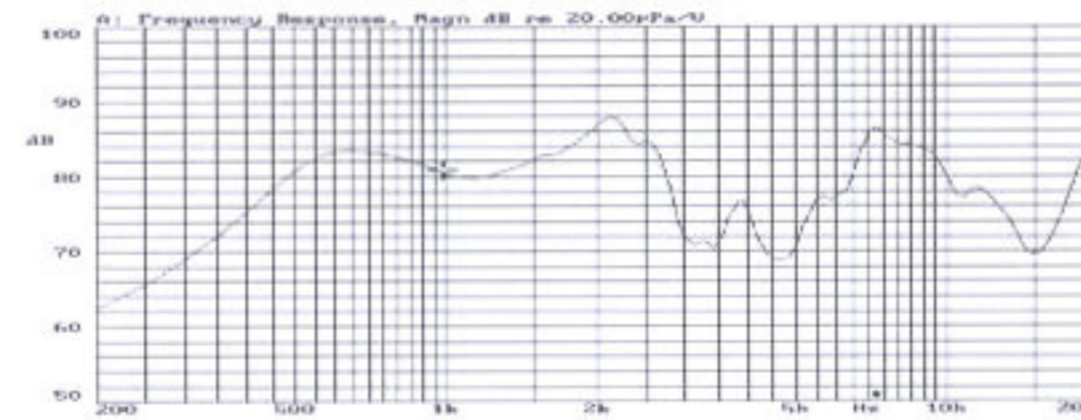
### YDB35-11

Rated Impedance ( $\Omega$ )	$15 \pm 15\%$
Rated (Max) Power (W)	0.3 (0.5)
Resonance Frequency (Hz)	$500 \pm 20\%$
Rated Freq. Range (Hz)	$f_c \sim 5000$
Sound Pressure Level (dB/0.1m, 0.1w)	$90 \pm 3$
Weight (g)	7.5
Operating Temperature ( $^{\circ}\text{C}$ )	$-40 \sim +70$



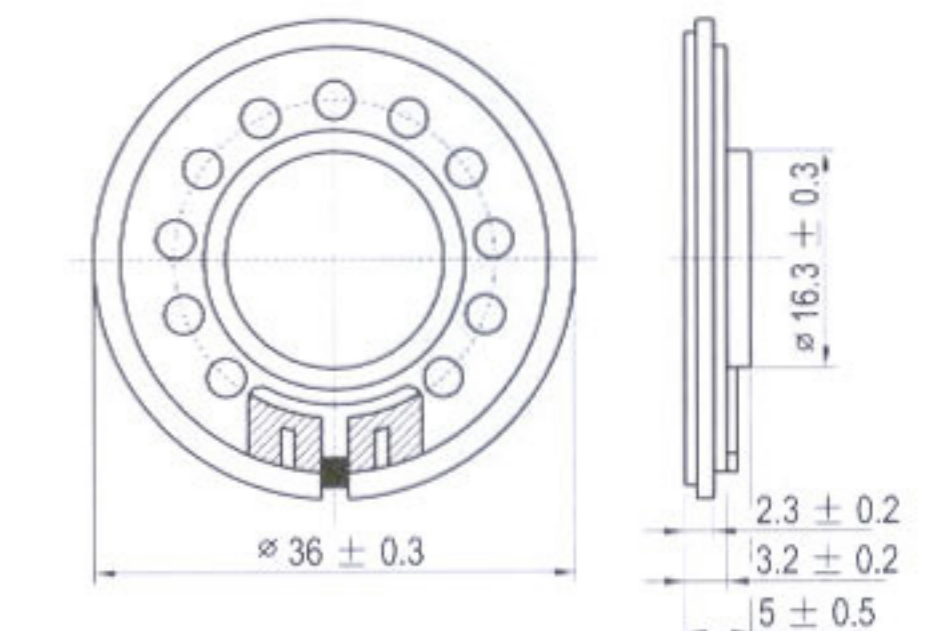
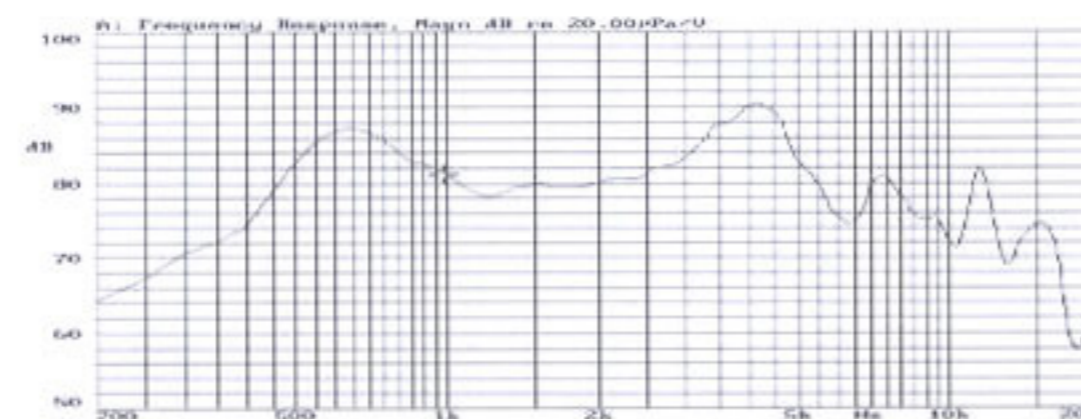
### YDB36-11

Rated Impedance ( $\Omega$ )	$8 \pm 20\%$
Rated (Max) Power (W)	0.15 (0.3)
Resonance Frequency (Hz)	$500 \pm 25\%$
Rated Freq. Range (Hz)	$f_c \sim 3400$
Sound Pressure Level (dB/1m, 1w)	$81 \pm 3$
Weight (g)	4.5
Operating Temperature ( $^{\circ}\text{C}$ )	$-10 \sim +40$



### YDB36-12

Rated Impedance ( $\Omega$ )	$8 \pm 15\%$
Rated (Max) Power (W)	0.2 (0.4)
Resonance Frequency (Hz)	$500 \pm 20\%$
Rated Freq. Range (Hz)	$f_c \sim 3500$
Sound Pressure Level (dB/1m, 1w)	$83 \pm 3$
Weight (g)	9.5
Operating Temperature ( $^{\circ}\text{C}$ )	$-10 \sim +40$

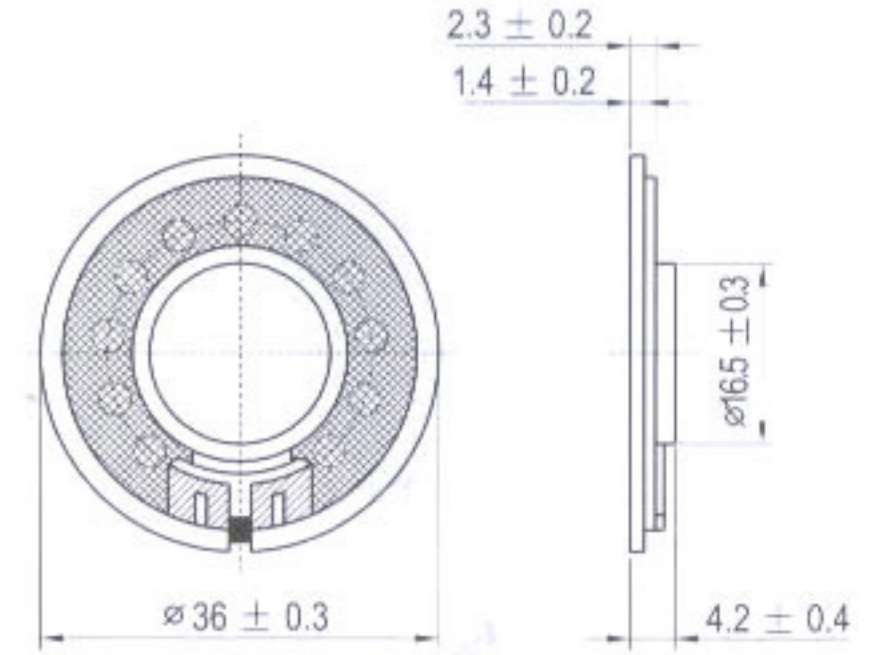
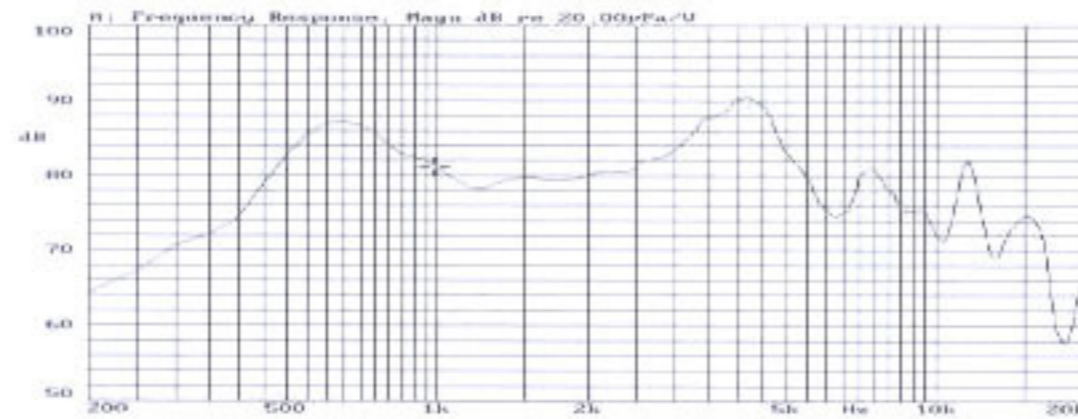






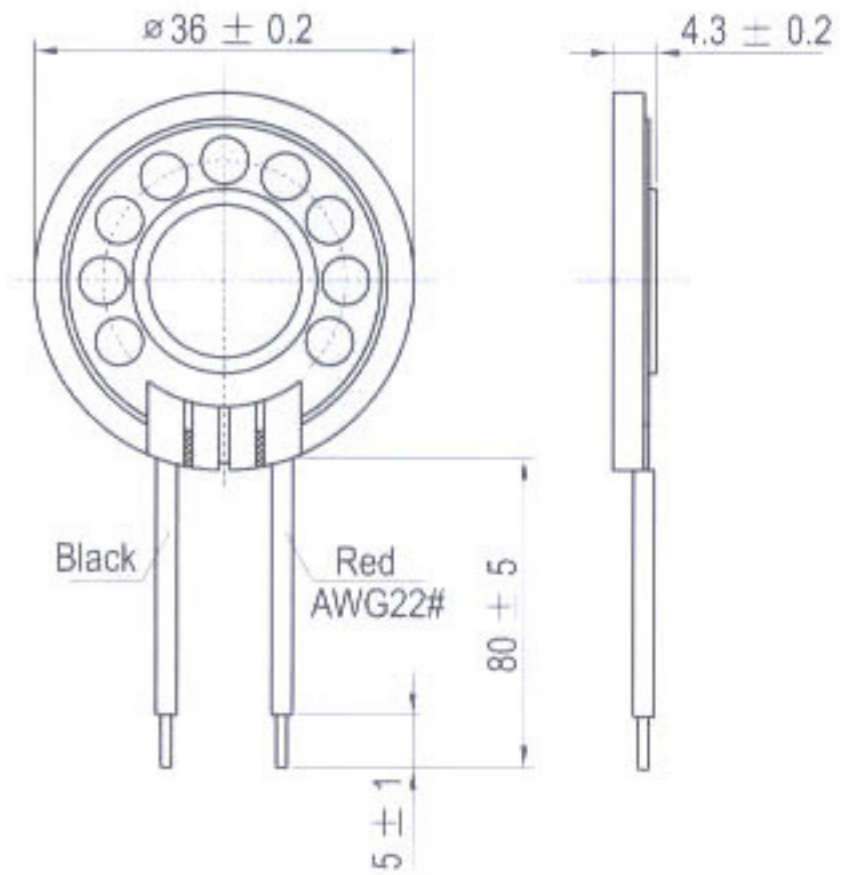
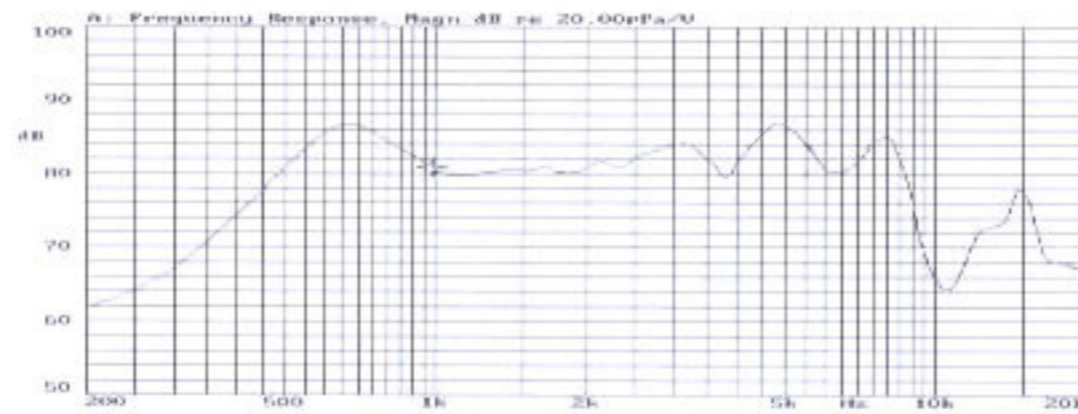
### YDB36-12P

Rated Impedance ( $\Omega$ )	$8 \pm 15\%$
Rated (Max) Power (W)	1 (1)
Resonance Frequency (Hz)	$500 \pm 20\%$
Rated Freq. Range (Hz)	$f_s \sim 3500$
Sound Pressure Level (dB/1m, 1w)	$83 \pm 3$
Weight (g)	9.5
Operating Temperature ( $^{\circ}\text{C}$ )	$-10 \sim +40$



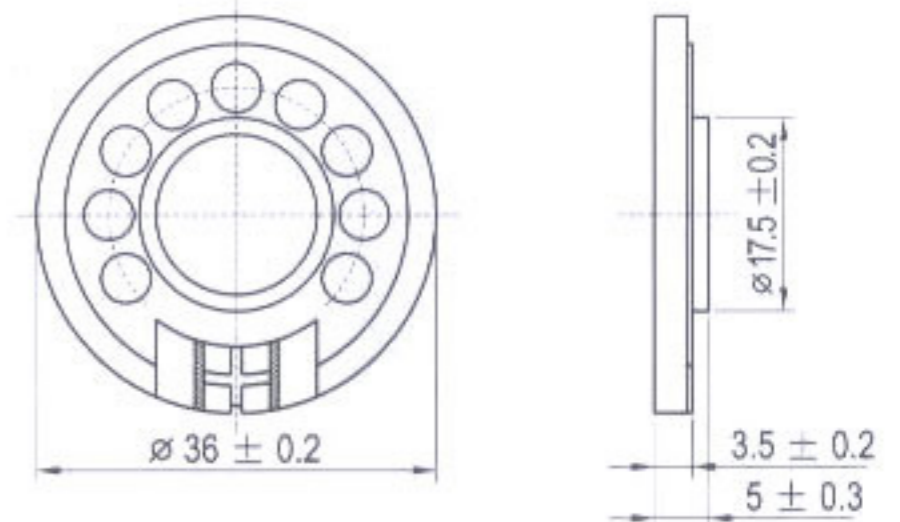
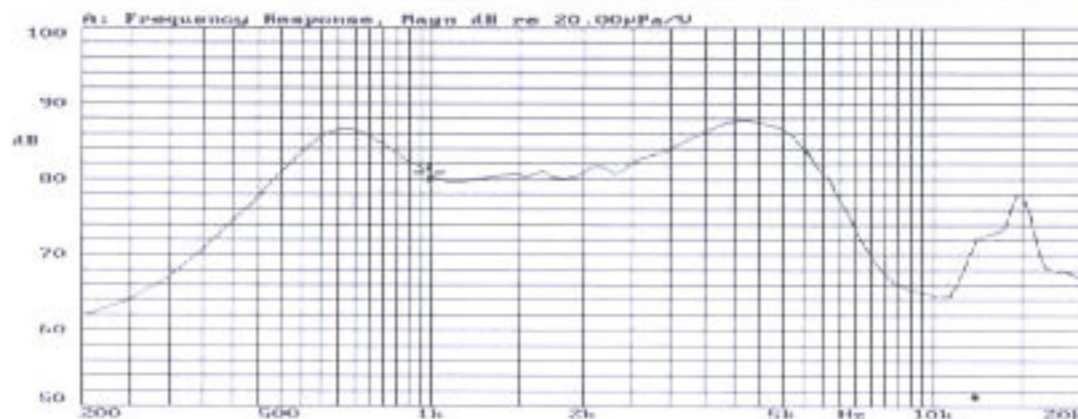
### YDB36-13A

Rated Impedance ( $\Omega$ )	$8 \pm 15\%$
Rated (Max) Power (W)	0.25 (0.5)
Resonance Frequency (Hz)	$600 \pm 20\%$
Rated Freq. Range (Hz)	$f_s \sim 5000$
Sound Pressure Level (dB/1m, 1w)	$83 \pm 3$
Weight (g)	4.7
Operating Temperature ( $^{\circ}\text{C}$ )	$-10 \sim +40$



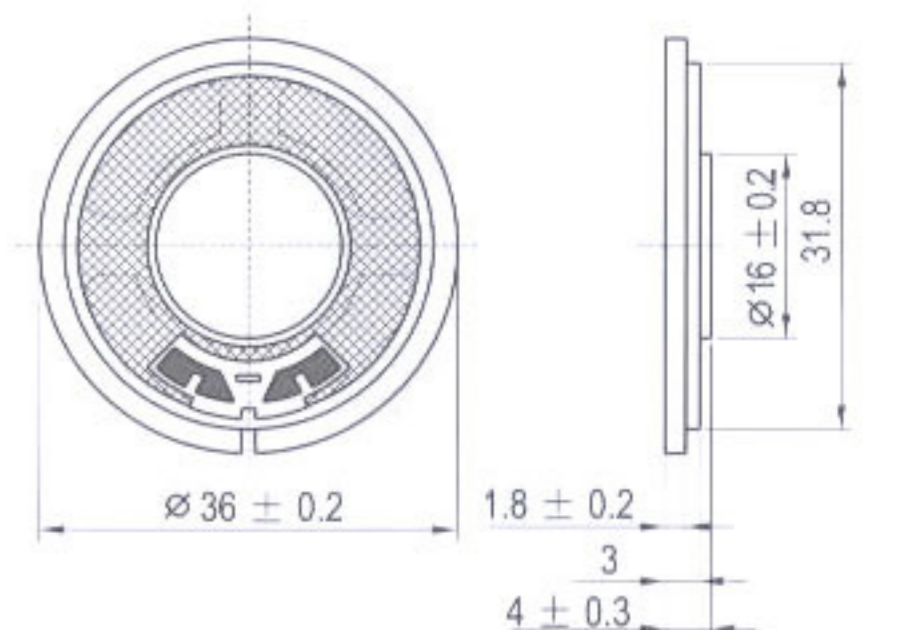
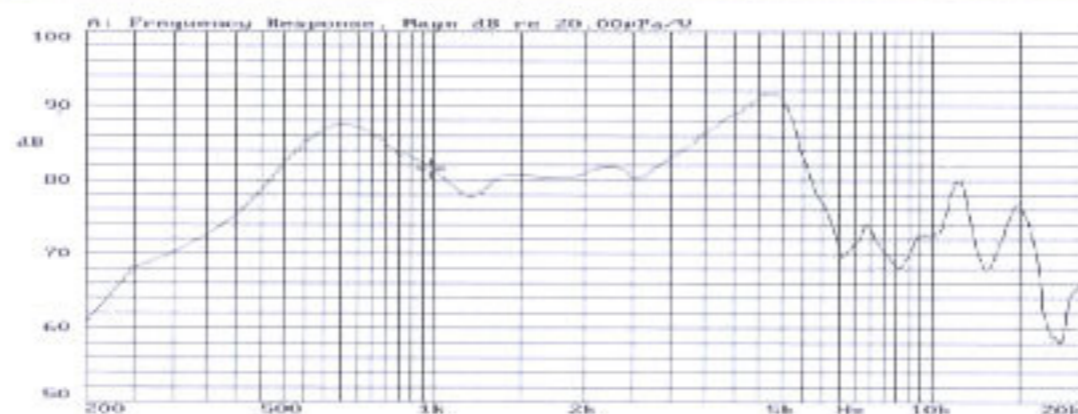
### YDB36-13C

Rated Impedance ( $\Omega$ )	$8 \pm 15\%$
Rated (Max) Power (W)	0.25 (0.5)
Resonance Frequency (Hz)	$450 \pm 100$
Rated Freq. Range (Hz)	$f_s \sim 5000$
Sound Pressure Level (dB/1m, 1w)	$83 \pm 3$
Weight (g)	5
Operating Temperature ( $^{\circ}\text{C}$ )	$-40 \sim +90$



### YDB36-14

Rated Impedance ( $\Omega$ )	$8 \pm 15\%$
Rated (Max) Power (W)	0.2 (0.3)
Resonance Frequency (Hz)	$500 \pm 20\%$
Rated Freq. Range (Hz)	$f_s \sim 5000$
Sound Pressure Level (dB/1m, 1w)	$83 \pm 3$
Weight (g)	9
Operating Temperature ( $^{\circ}\text{C}$ )	$-10 \sim +40$

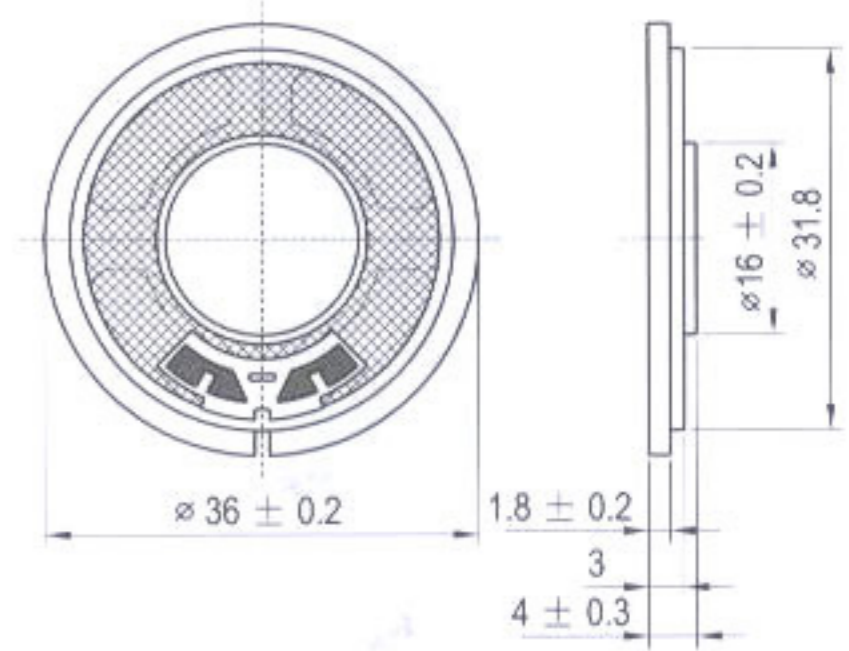
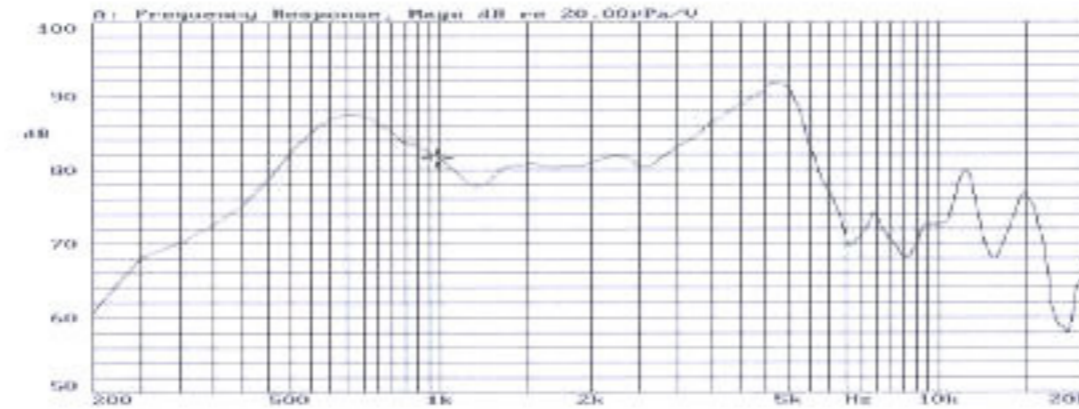






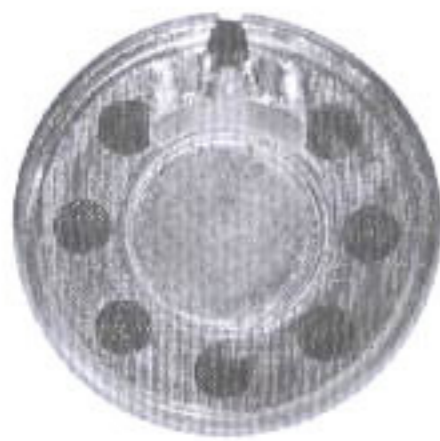
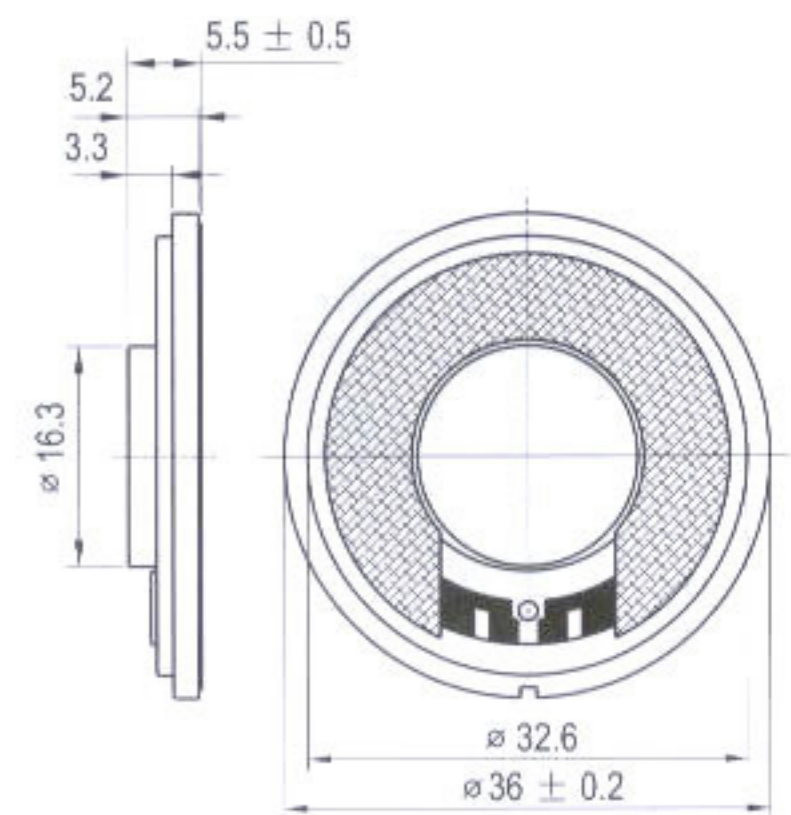
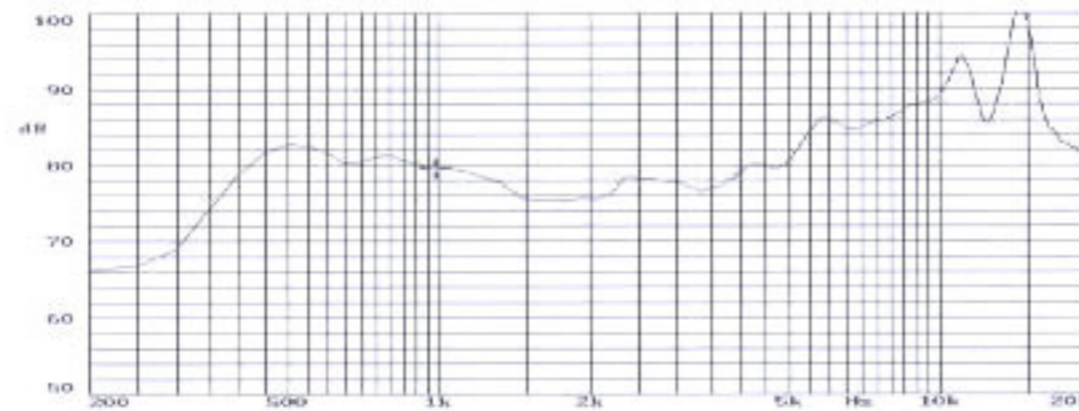
### YDB36-14A

Rated Impedance ( $\Omega$ )	$8 \pm 15\%$
Rated (Max) Power (W)	0.5 (1)
Resonance Frequency (Hz)	$500 \pm 20\%$
Rated Freq. Range (Hz)	$f_s \sim 5000$
Sound Pressure Level (dB/1m, 1w)	$83 \pm 3$
Weight (g)	9
Operating Temperature ( $^{\circ}\text{C}$ )	$-10 \sim +40$



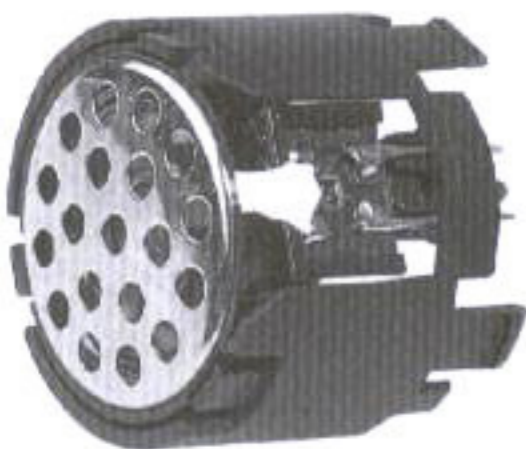
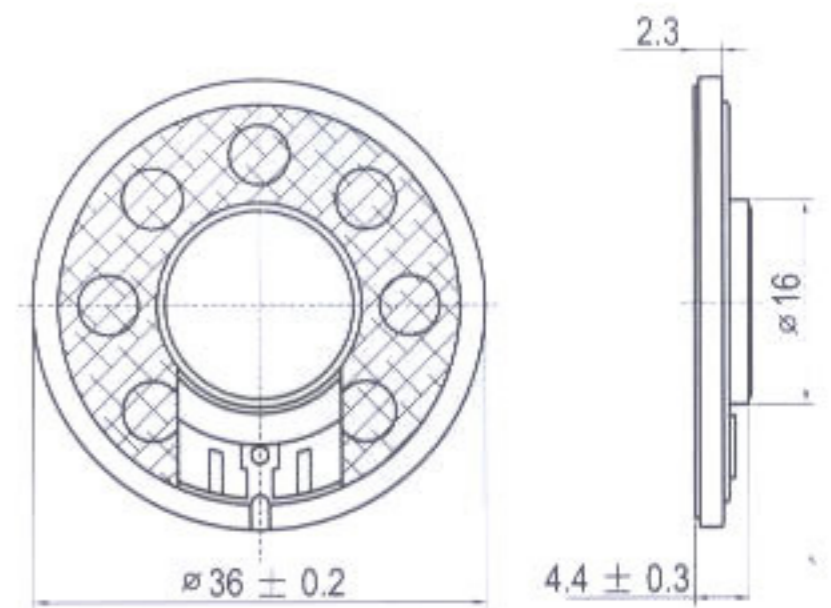
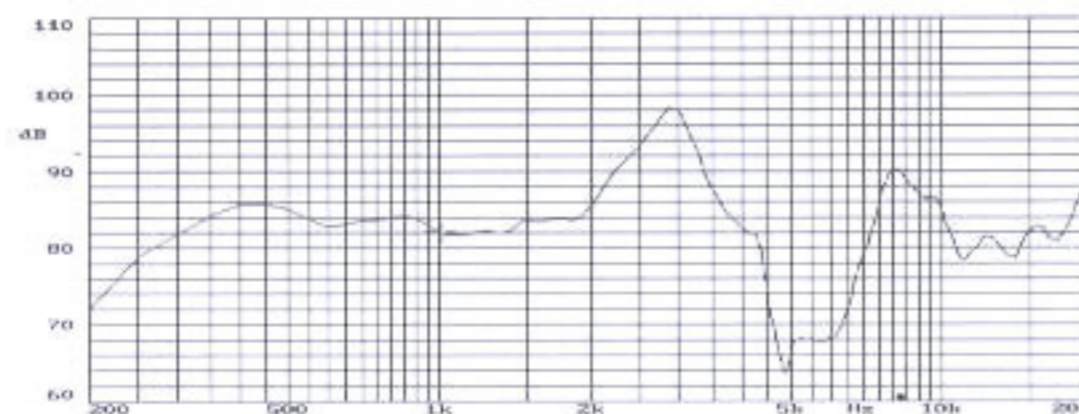
### YDB36-15

Rated Impedance ( $\Omega$ )	$8 \pm 15\%$
Rated (Max) Power (W)	1 (1.5)
Resonance Frequency (Hz)	$500 \pm 20\%$
Rated Freq. Range (Hz)	$f_s \sim 15000$
Sound Pressure Level (dB/0.1m, 0.1w)	$91 \pm 3$
Weight (g)	12
Operating Temperature ( $^{\circ}\text{C}$ )	$-40 \sim +85$



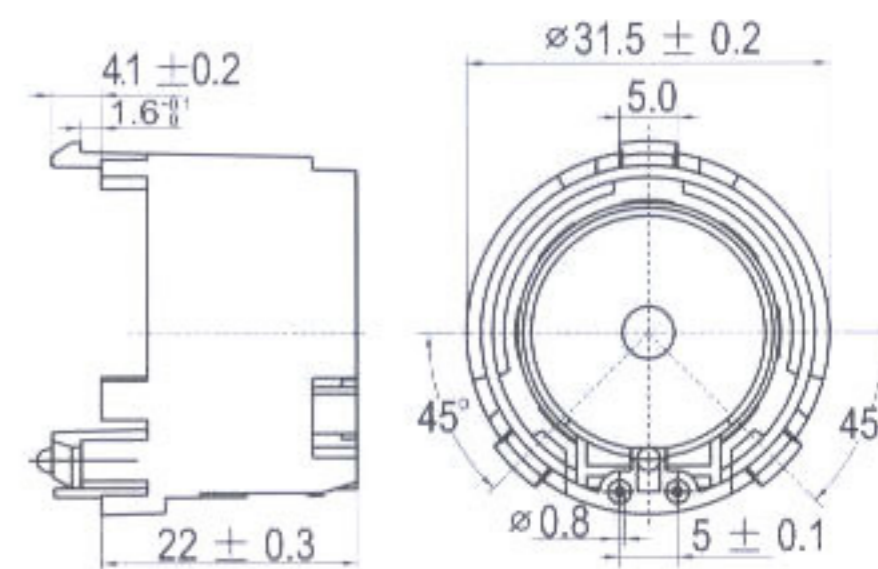
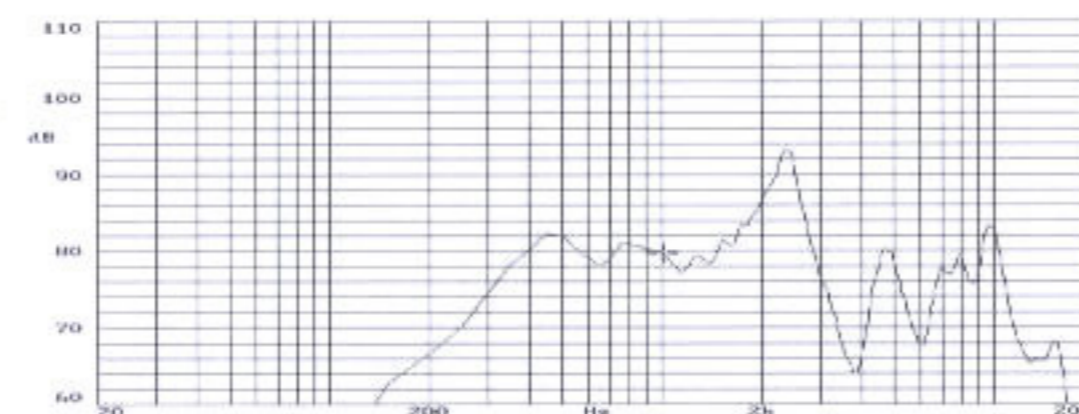
### YDB36-17

Rated Impedance ( $\Omega$ )	$8 \pm 15\%$
Rated (Max) Power (W)	0.2 (0.5)
Resonance Frequency (Hz)	$500 \pm 20\%$
Rated Freq. Range (Hz)	$f_s \sim 5000$
Sound Pressure Level (dB/0.1m, 0.1w)	$91 \pm 3$
Weight (g)	10
Operating Temperature ( $^{\circ}\text{C}$ )	$-40 \sim +70$



### YDB2960HV

Rated Impedance ( $\Omega$ )	$60 \pm 10\%$
Nominal power	$\geq 200\text{mW}$
Peak Dissipation Power	$\geq 400\text{mW}$
Sound Output@8.8Vp-p, 600Hz square wave 1m	$\geq 72\text{dB}$
Sound Output@8.8Vp-p, 600Hz square wave 1m	$\geq 75\text{dB}$
Weight (g)	18
Operating Temperature ( $^{\circ}\text{C}$ )	$-40 \sim +80$

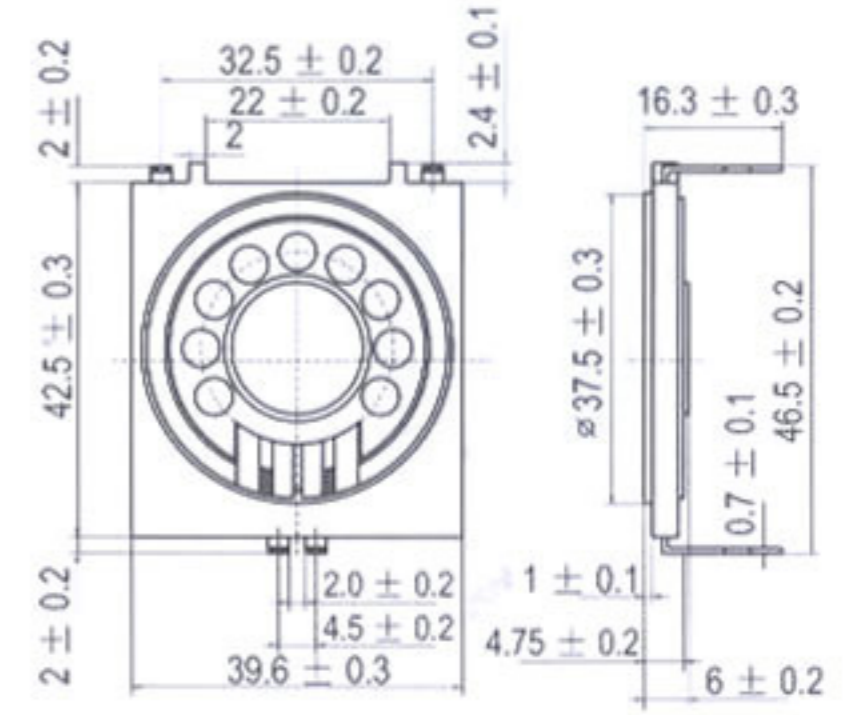
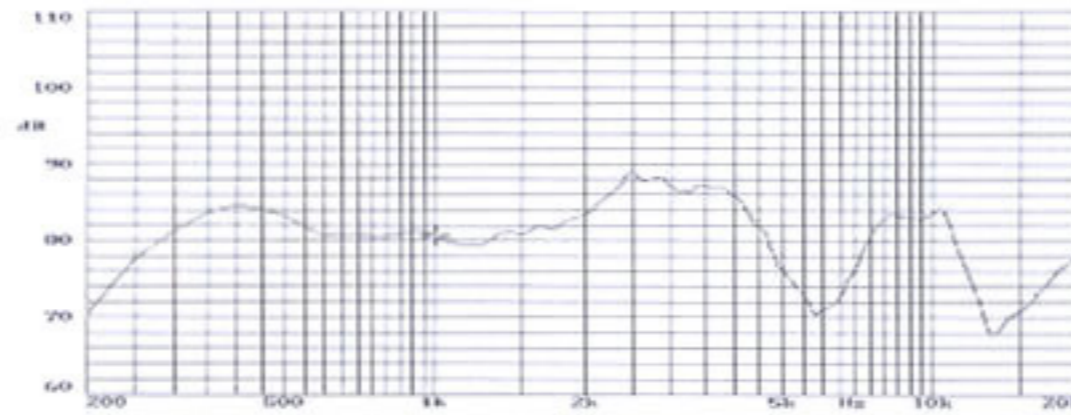






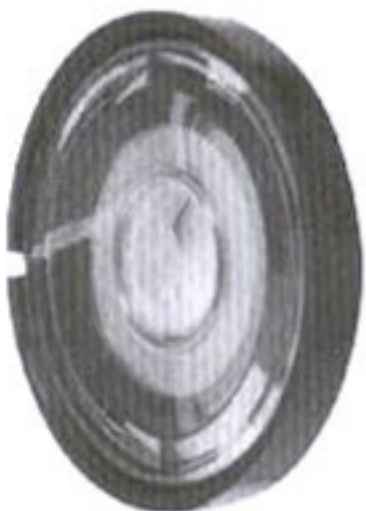
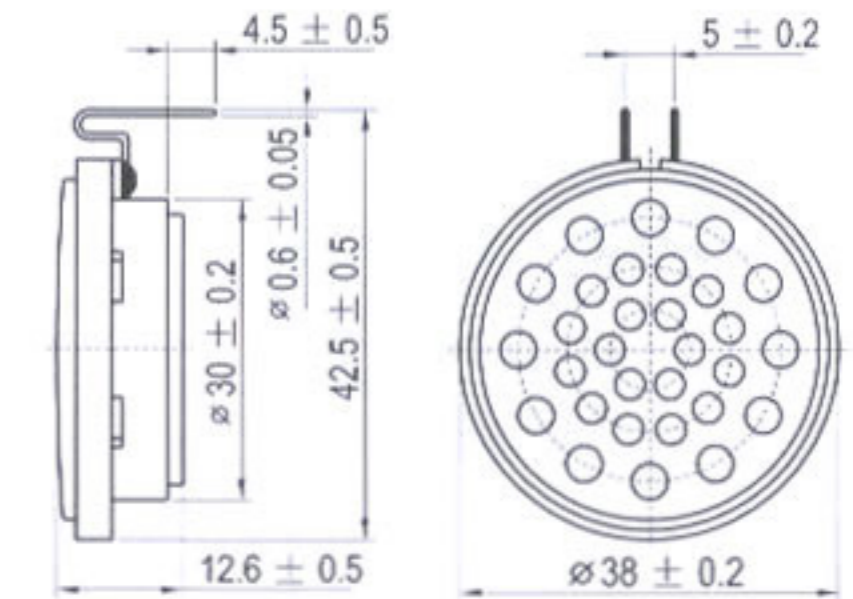
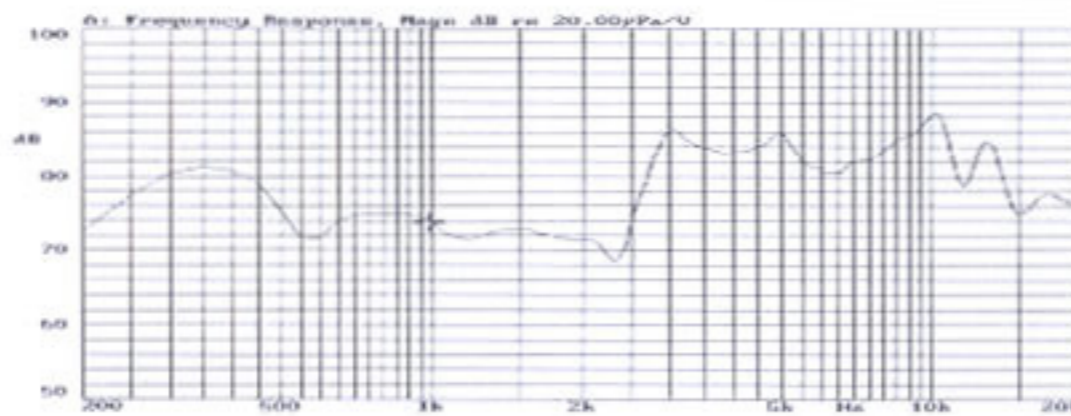
### YDB36100

Rated Impedance ( $\Omega$ )	100 $\pm$ 15%
Rated(Max) Power (W)	0.25 (0.5)
Resonance Frequency (Hz)	450 $\pm$ 100
Rated Freq. Range (Hz)	f. $\sim$ 5000
Sound Pressure Level (dB/10m, 1w)	83 $\pm$ 3
Weight (g)	8.5
Operating Temperature ( $^{\circ}$ C)	-40 $\sim$ +90



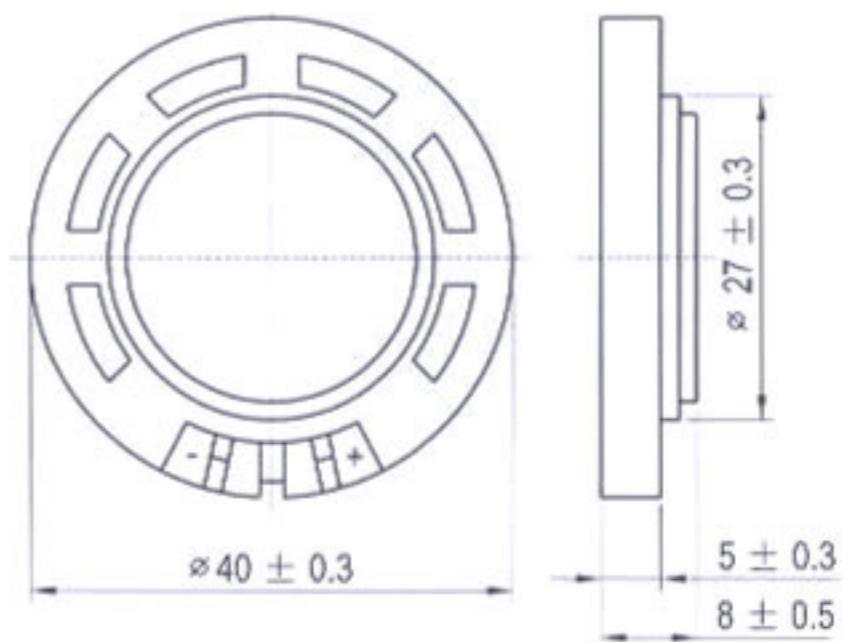
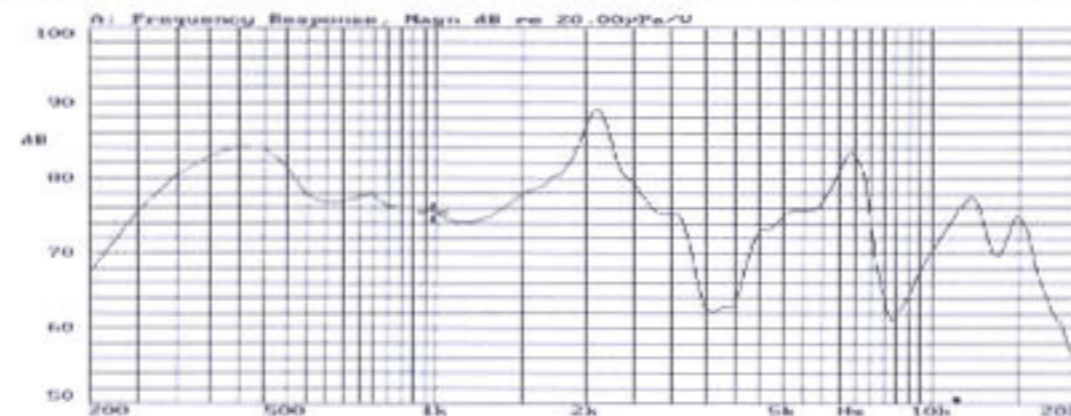
### YDB38-1

Rated Impedance ( $\Omega$ )	8 $\pm$ 15%
Rated (Max) Power (W)	0.1 (0.2)
Resonance Frequency (Hz)	350 $\pm$ 20%
Rated Freq. Range (Hz)	f. $\sim$ 8600
Sound Pressure Level (dB/10m, 1w)	83 $\pm$ 3
Weight (g)	16.8
Operating Temperature ( $^{\circ}$ C)	-10 $\sim$ +40



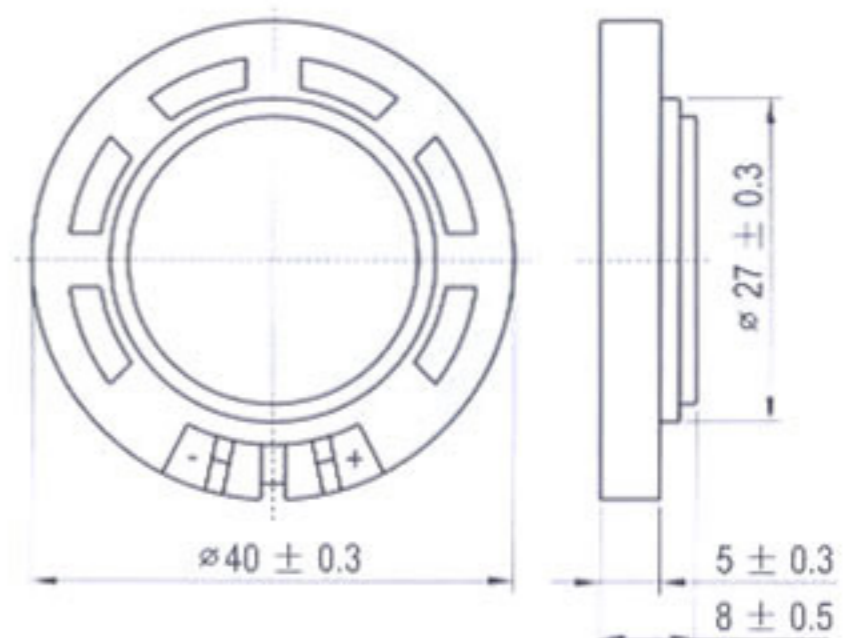
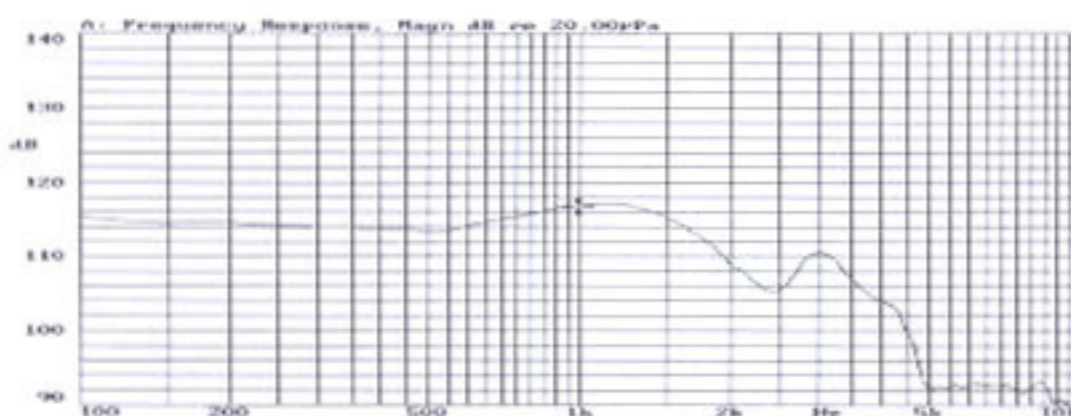
### YDB40-1

Rated Impedance ( $\Omega$ )	8 $\pm$ 15%
Rated (Max) Power (W)	0.15 (0.3)
Resonance Frequency (Hz)	400 $\pm$ 20%
Rated Freq. Range (Hz)	f. $\sim$ 3000
Sound Pressure Level (dB/10m, 1w)	80 $\pm$ 3
Weight (g)	13
Operating Temperature ( $^{\circ}$ C)	-10 $\sim$ +40



### YDB40-2

Rated Impedance ( $\Omega$ )	64 $\pm$ 15%
Rated (Max) Power (W)	0.1 (0.2)
Resonance Frequency (Hz)	300 $\pm$ 20%
Rated Freq. Range (Hz)	300 $\sim$ 3400
Sound Pressure Level (dB/at 1kHz IEC318)	117 $\pm$ 3
Weight (g)	13
Operating Temperature ( $^{\circ}$ C)	-10 $\sim$ +40

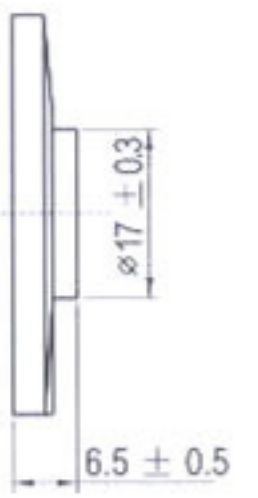






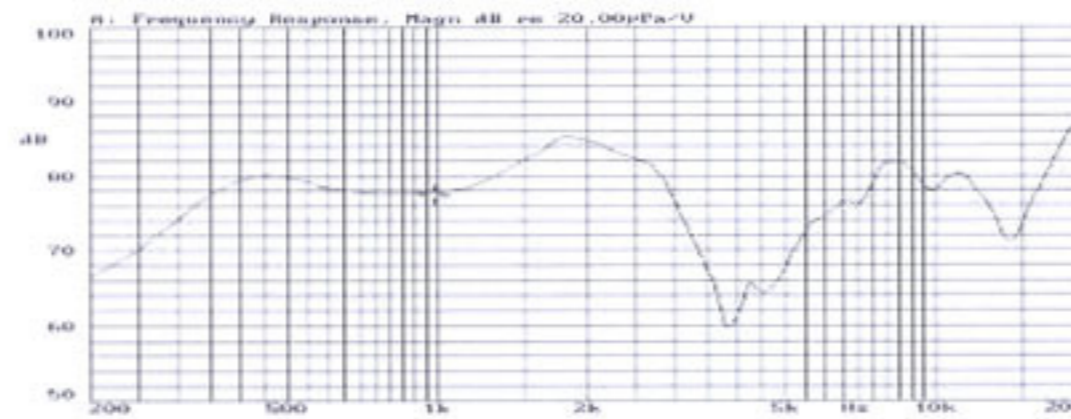
### YDB40-11

Rated Impedance ( $\Omega$ )	$8 \pm 15\%$
Rated (Max) Power (W)	0.15 (0.3)
Resonance Frequency (Hz)	$500 \pm 20\%$
Rated Freq. Range (Hz)	f. ~3500
Sound Pressure Level (dB/1m, 1w)	$82 \pm 3$
Weight (g)	5.2
Operating Temperature ( $^{\circ}\text{C}$ )	-10~+40



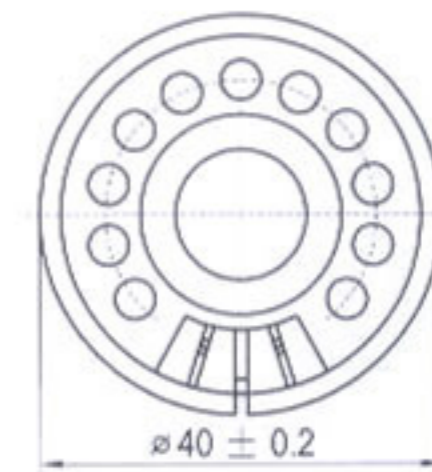
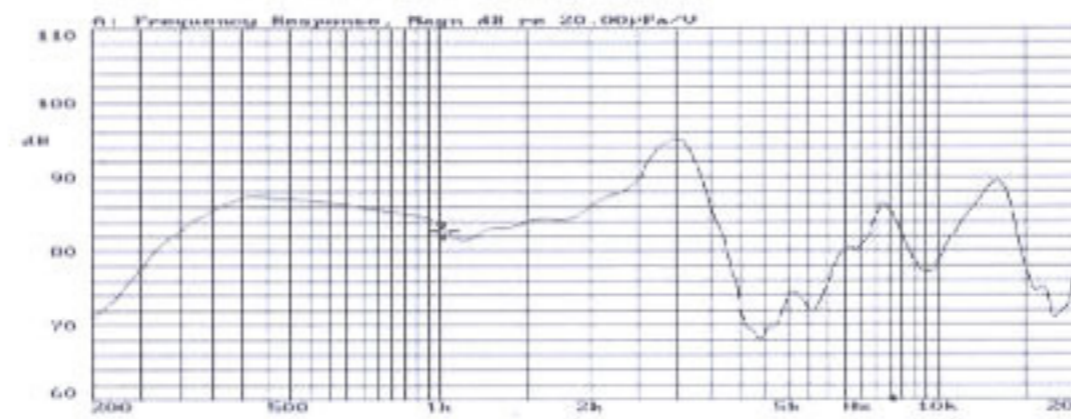
### YDB40-11P

Rated Impedance ( $\Omega$ )	$8 \pm 15\%$
Rated (Max) Power (W)	1 (1.5)
Resonance Frequency (Hz)	$500 \pm 20\%$
Rated Freq. Range (Hz)	f. ~3500
Sound Pressure Level (dB/1m, 1w)	$82 \pm 3$
Weight (g)	5.2
Operating Temperature ( $^{\circ}\text{C}$ )	-10~+40



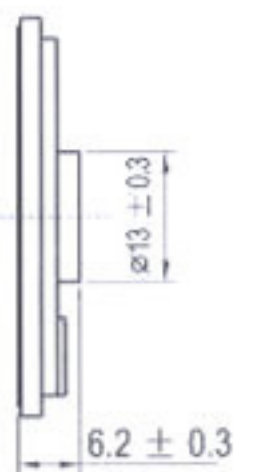
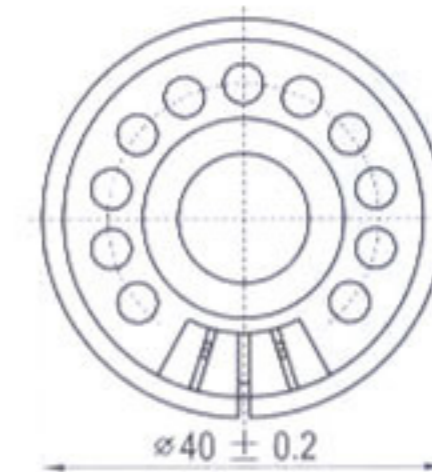
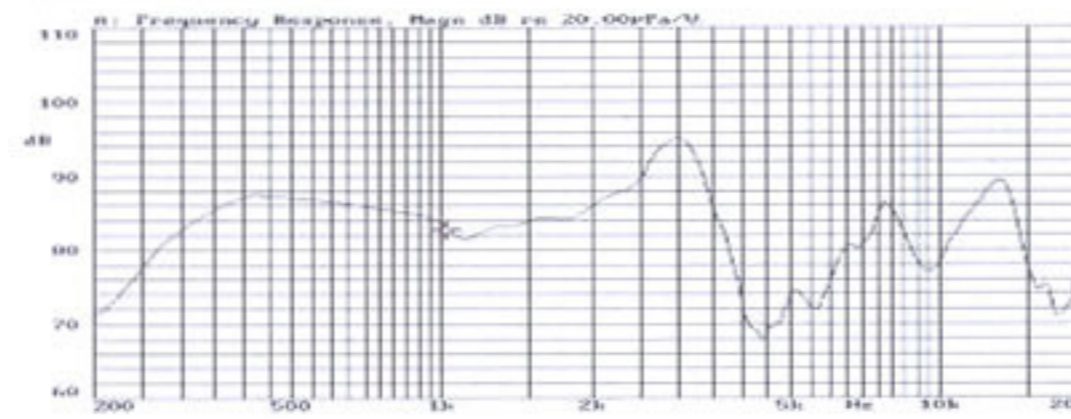
### YDB40-12

Rated Impedance ( $\Omega$ )	$8 \pm 15\%$
Rated (Max) Power (W)	0.2 (0.3)
Resonance Frequency (Hz)	$550 \pm 20\%$
Rated Freq. Range (Hz)	f. ~3500
Sound Pressure Level (dB/1m, 1w)	$82 \pm 3$
Weight (g)	10
Operating Temperature ( $^{\circ}\text{C}$ )	-10~+40

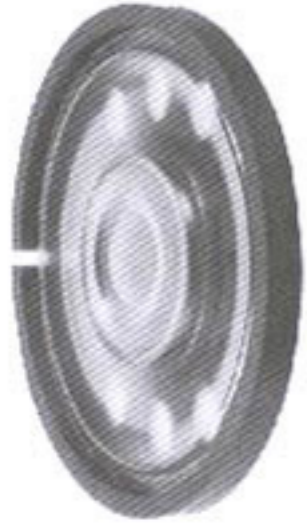


### YDB40-12P

Rated Impedance ( $\Omega$ )	$8 \pm 15\%$
Rated (Max) Power (W)	1 (1.2)
Resonance Frequency (Hz)	$550 \pm 20\%$
Rated Freq. Range (Hz)	f. ~5000
Sound Pressure Level (dB/1m, 1w)	$82 \pm 3$
Weight (g)	10
Operating Temperature ( $^{\circ}\text{C}$ )	-10~+40

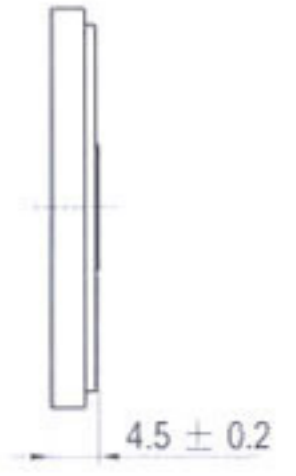
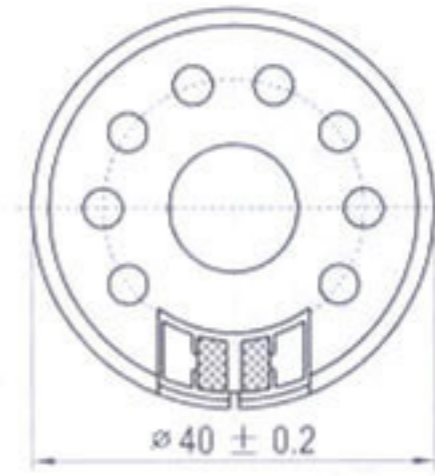
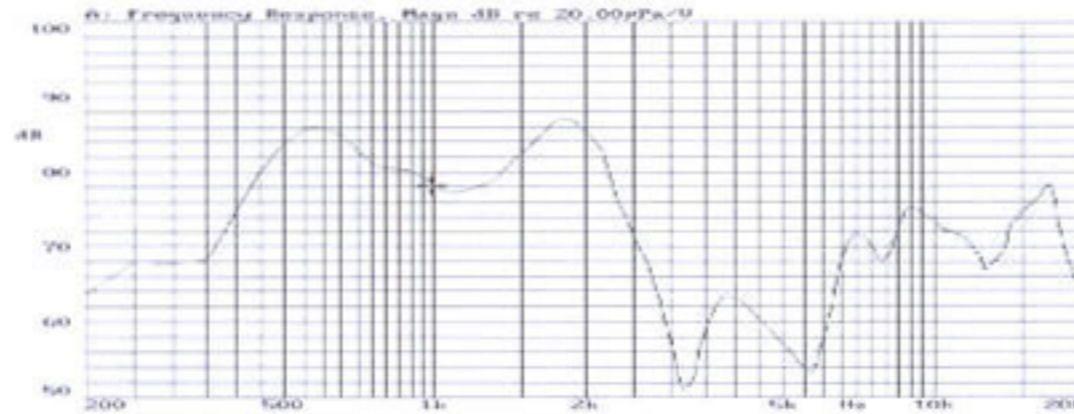






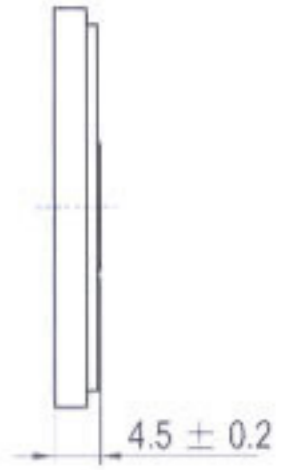
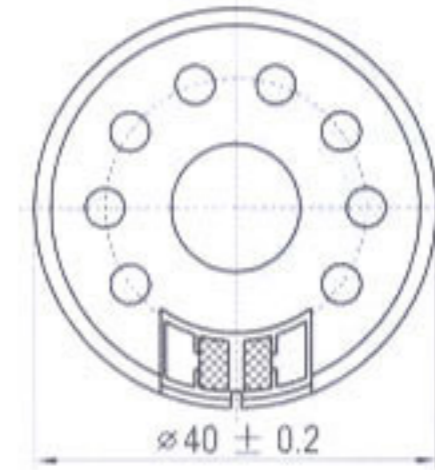
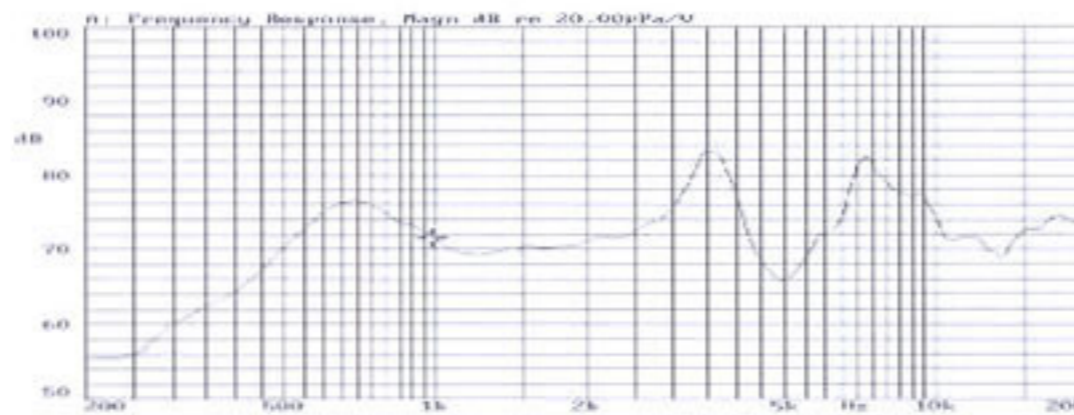
### YDB40-13

Rated Impedance ( $\Omega$ )	$8 \pm 15\%$
Rated (Max) Power (W)	0.2 (0.4)
Resonance Frequency (Hz)	$550 \pm 15\%$
Rated Freq. Range (Hz)	$f_s \sim 2800$
Sound Pressure Level (dB/1m, 1w)	$82 \pm 3$
Weight (g)	4.2
Operating Temperature ( $^{\circ}\text{C}$ )	$-10 \sim +40$



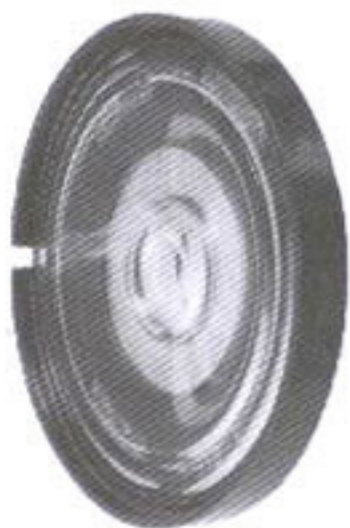
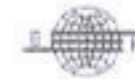
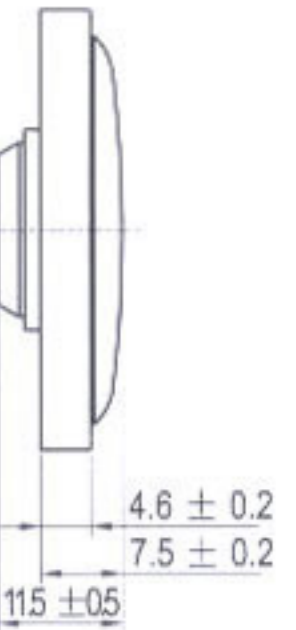
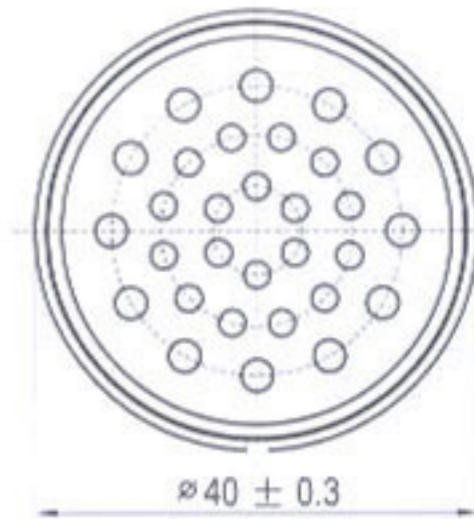
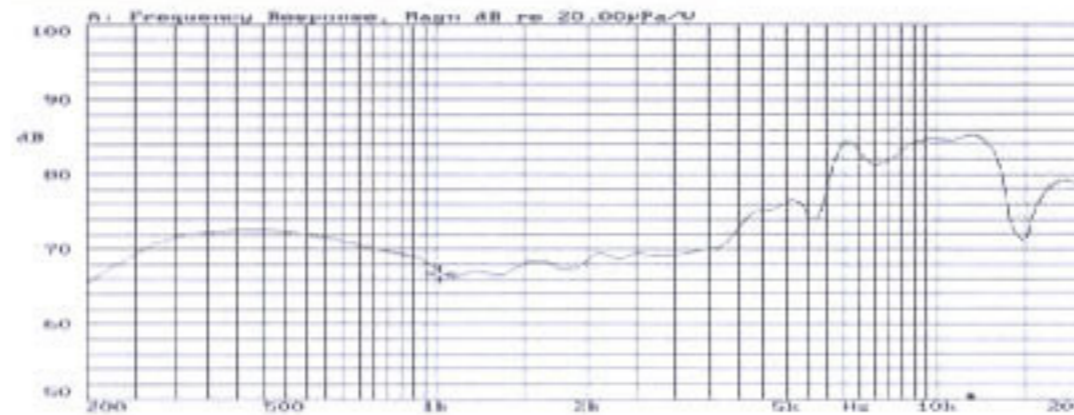
### YDB40-13A

Rated Impedance ( $\Omega$ )	$8 \pm 15\%$
Rated (Max) Power (W)	0.25 (0.5)
Resonance Frequency (Hz)	$550 \pm 15\%$
Rated Freq. Range (Hz)	$f_s \sim 3500$
Sound Pressure Level (dB/1m, 1w)	$82 \pm 3$
Weight (g)	4.2
Operating Temperature ( $^{\circ}\text{C}$ )	$-10 \sim +40$



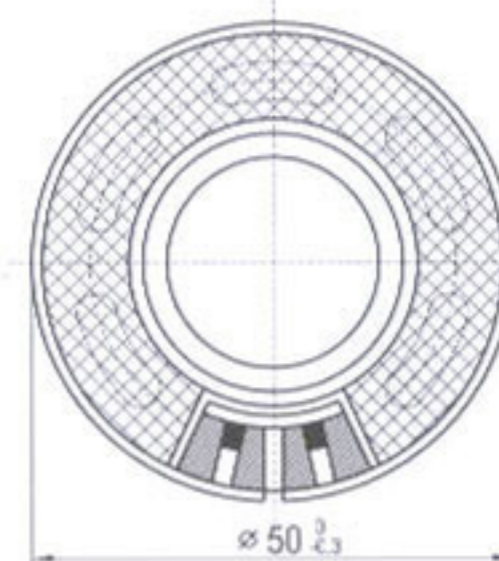
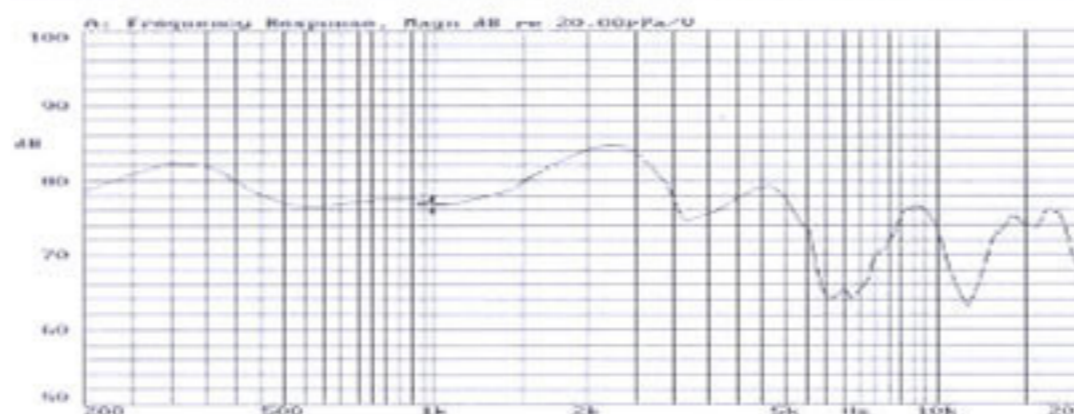
### YDB40-15C

Rated Impedance ( $\Omega$ )	$32 \pm 15\%$
Rated (Max) Power (W)	0.1 (0.2)
Resonance Frequency (Hz)	$500 \pm 20\%$
Rated Freq. Range (Hz)	$f_s \sim 5000$
Sound Pressure Level (dB/1m, 1w)	$75 \pm 3$
Weight (g)	9
Operating Temperature ( $^{\circ}\text{C}$ )	$-10 \sim +40$



### YDB50-1

Rated Impedance ( $\Omega$ )	$8 \pm 15\%$
Rated (Max) Power (W)	0.25 (0.5)
Resonance Frequency (Hz)	$360 \pm 20\%$
Rated Freq. Range (Hz)	$f_s \sim 3000$
Sound Pressure Level (dB/1m, 1w)	$80 \pm 3$
Weight (g)	15.8
Operating Temperature ( $^{\circ}\text{C}$ )	$-10 \sim +40$

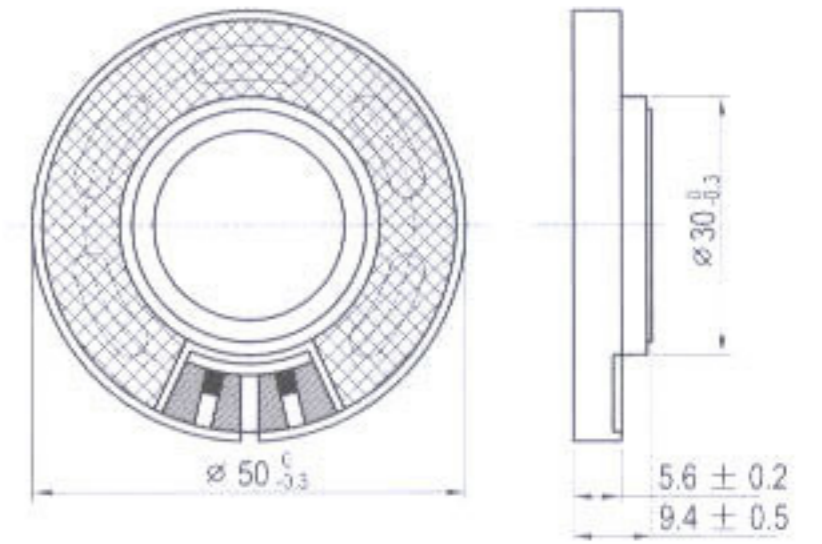






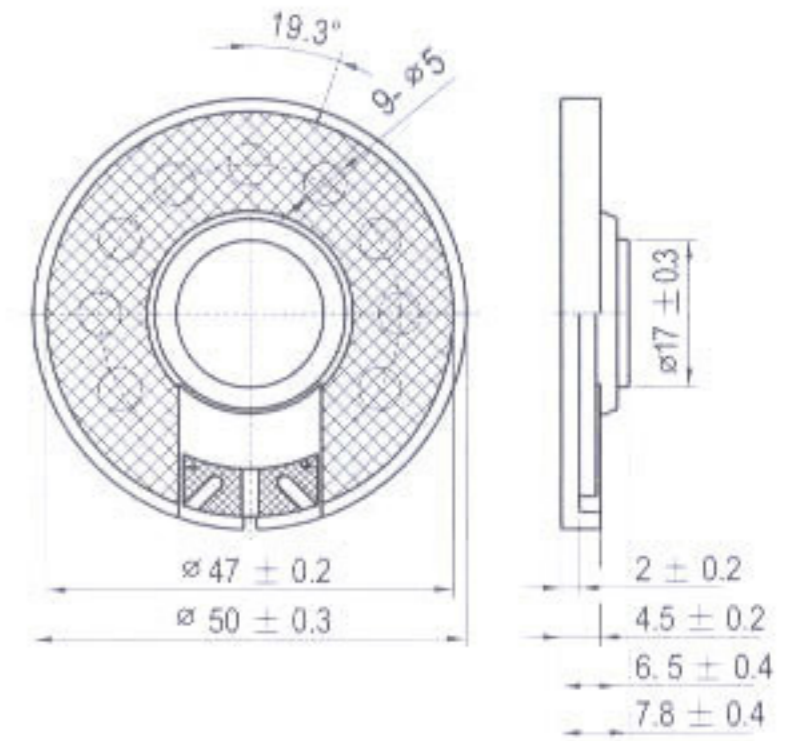
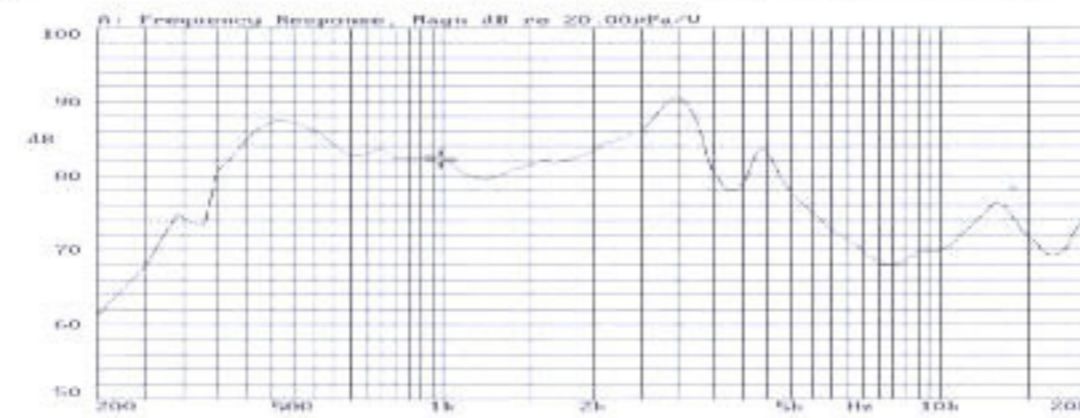
### YDB50-1P

Rated Impedance ( $\Omega$ )	$8 \pm 15\%$
Rated (Max) Power (W)	1 (1.2)
Resonance Frequency (Hz)	$360 \pm 20\%$
Rated Freq. Range (Hz)	f.~3400
Sound Pressure Level (dB/1m, 1w)	$80 \pm 3$
Weight (g)	16
Operating Temperature ( $^{\circ}\text{C}$ )	-10~+40



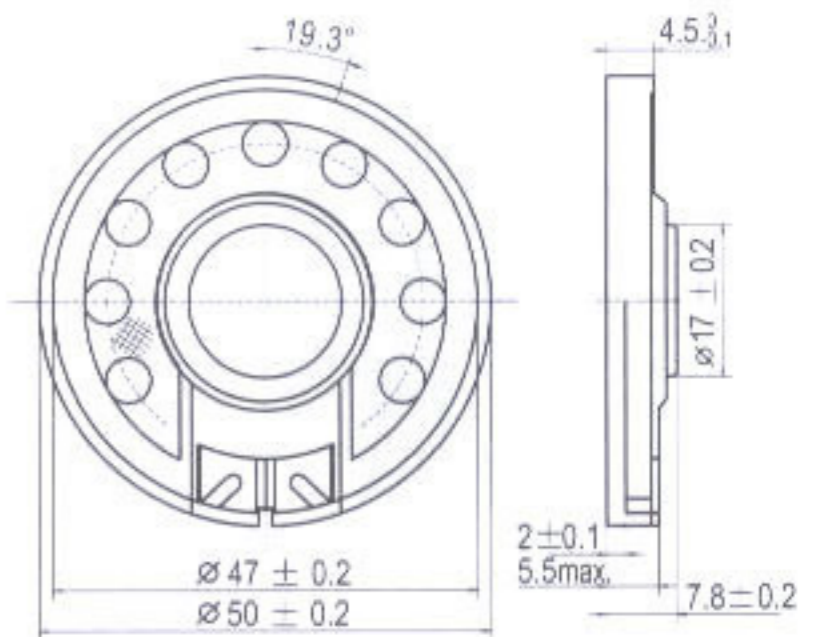
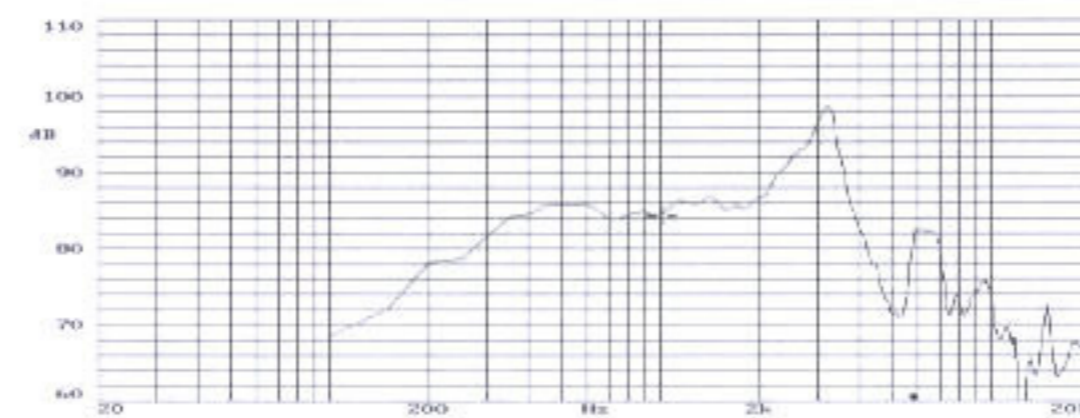
### YDB50-11

Rated Impedance ( $\Omega$ )	$8 \pm 20\%$
Rated (Max) Power (W)	0.2 (0.4)
Resonance Frequency (Hz)	$400 \pm 20\%$
Rated Freq. Range (Hz)	f.~5000
Sound Pressure Level (dB/1m, 1w)	$83 \pm 3$
Weight (g)	9.5
Operating Temperature ( $^{\circ}\text{C}$ )	-10~+40



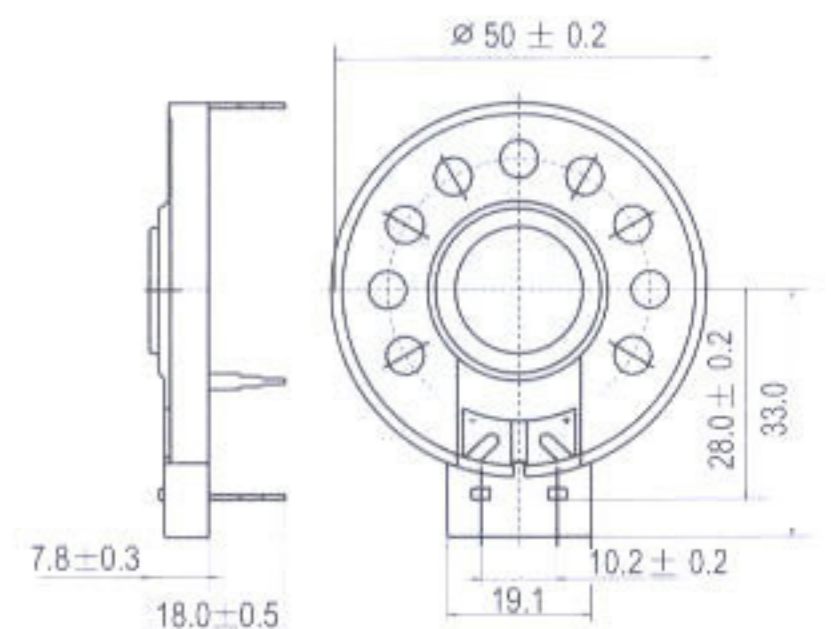
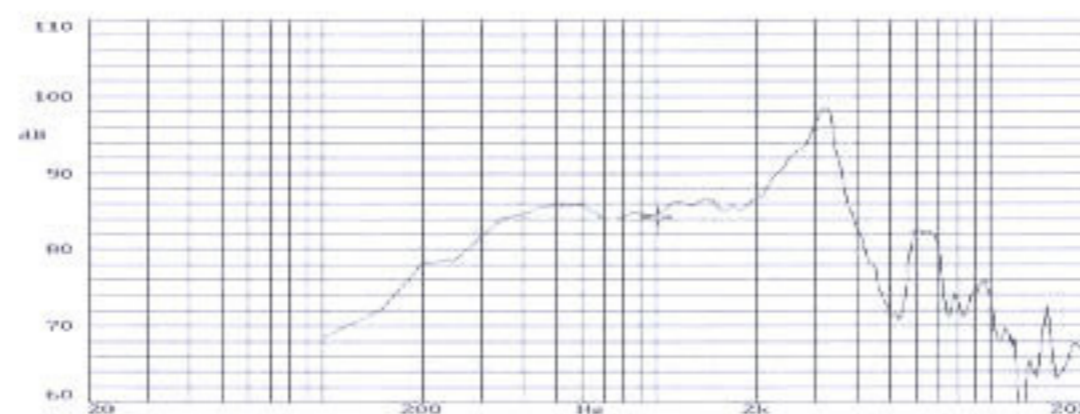
### YDB50-11A

Rated Impedance ( $\Omega$ )	$50 \pm 20\%$
Rated (Max) Power (W)	0.5 (0.5)
Resonance Frequency (Hz)	$350 \pm 20\%$
Rated Freq. Range (Hz)	f.~3500
Sound Pressure Level (dB/1m, 1w)	$85 \pm 3$
Weight (g)	9.5
Operating Temperature ( $^{\circ}\text{C}$ )	-25~+70



### YDB50-11P

Rated Impedance ( $\Omega$ )	$8 \pm 20\%$
Rated (Max) Power (W)	0.2 (0.4)
Resonance Frequency (Hz)	$350 \pm 20\%$
Rated Freq. Range (Hz)	160 ~5000
Sound Pressure Level (dB/1m, 1w)	$85 \pm 3$
Weight (g)	10.5
Operating Temperature ( $^{\circ}\text{C}$ )	-10~+40

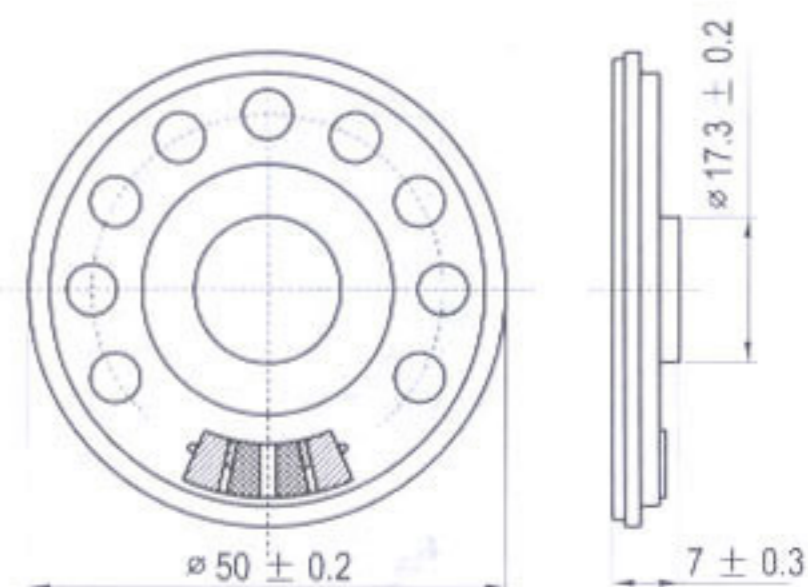
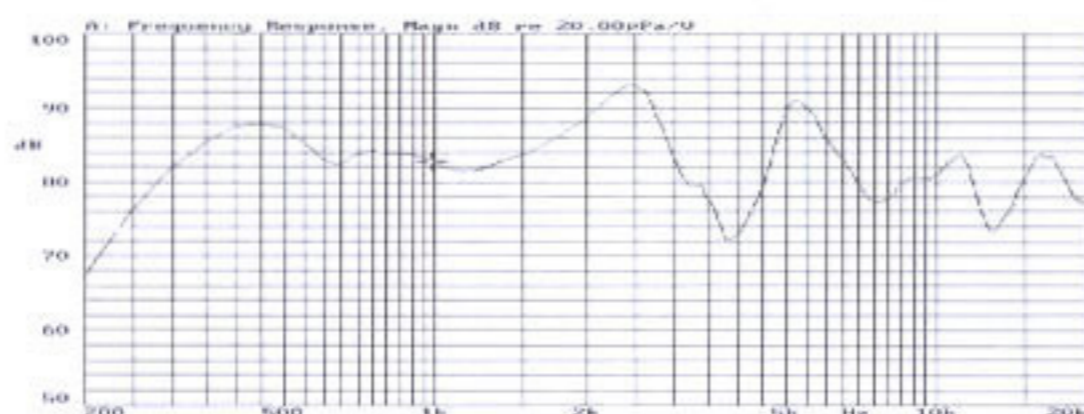






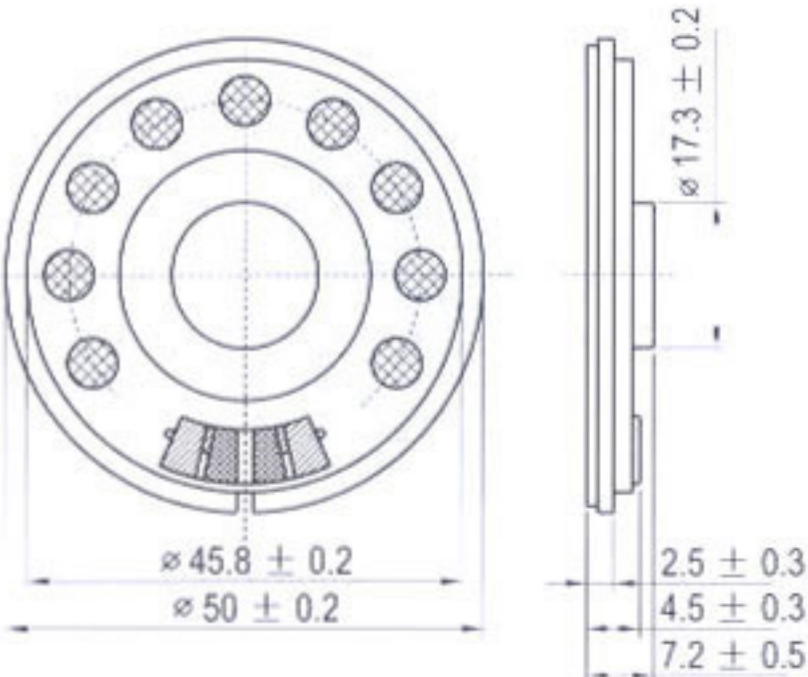
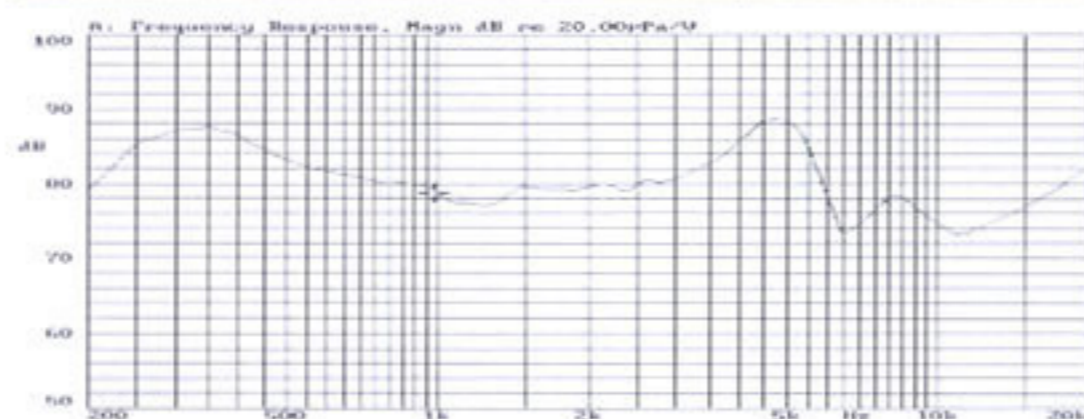
### YDB50-12

Rated Impedance ( $\Omega$ )	$8 \pm 15\%$
Rated (Max) Power (W)	0.1 (0.2)
Resonance Frequency (Hz)	$500 \pm 20\%$
Rated Freq. Range (Hz)	f.~4000
Sound Pressure Level (dB/1m, 1w)	$83 \pm 3$
Weight (g)	14
Operating Temperature ( $^{\circ}\text{C}$ )	-10~+40



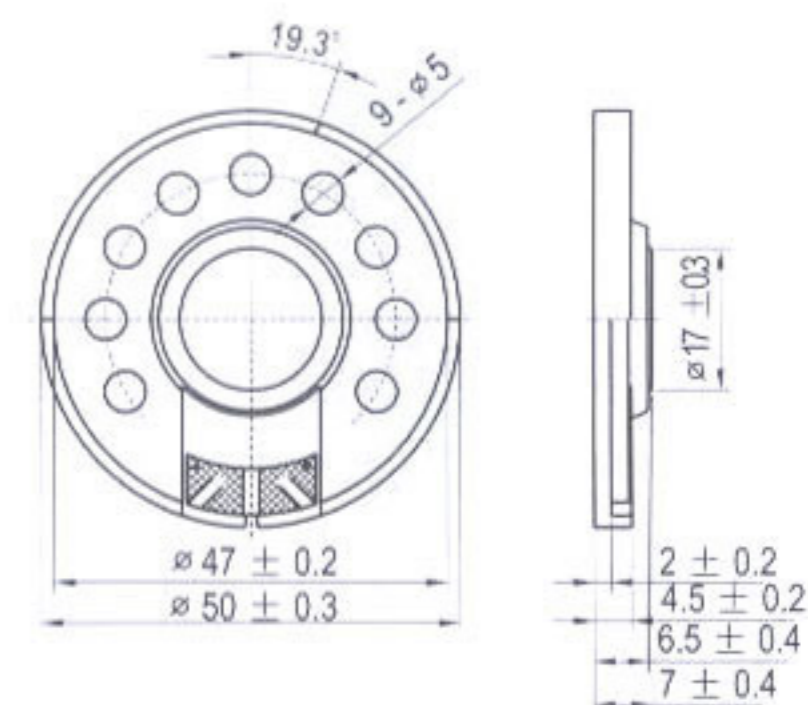
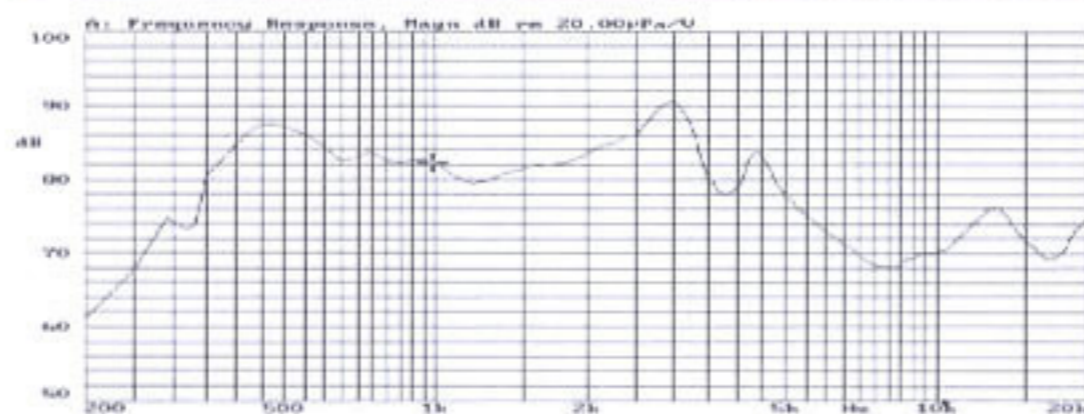
### YDB50-12G

Rated Impedance ( $\Omega$ )	$8 \pm 20\%$
Rated (Max) Power (W)	1 (2)
Resonance Frequency (Hz)	$500 \pm 20\%$
Rated Freq. Range (Hz)	f.~4000
Sound Pressure Level (dB/1m, 1w)	$83 \pm 3$
Weight (g)	14
Operating Temperature ( $^{\circ}\text{C}$ )	-10~+40



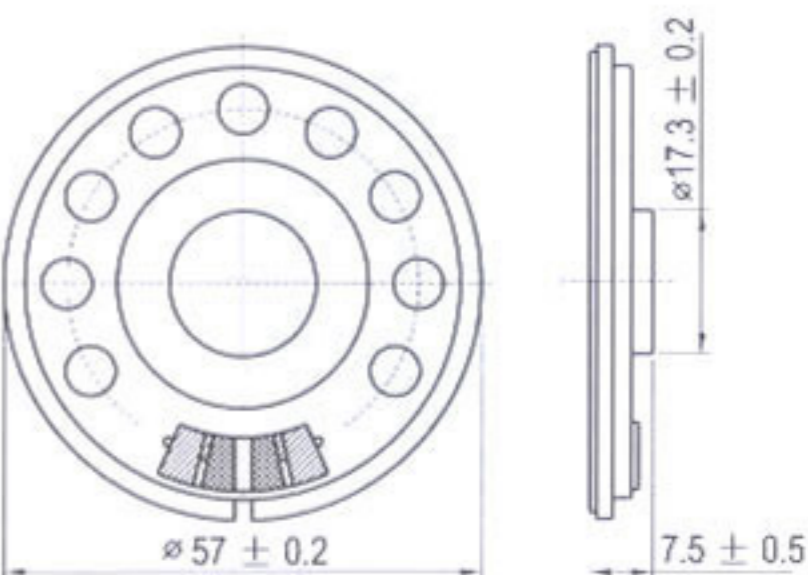
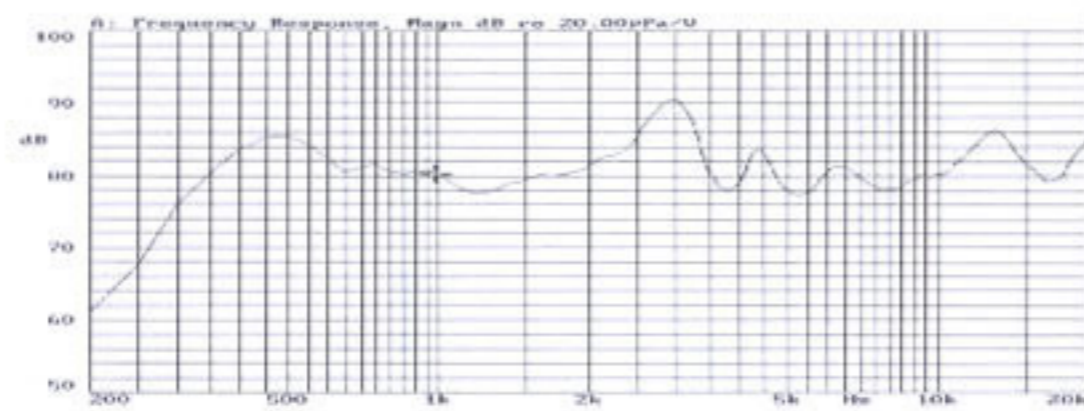
### YDB50-13

Rated Impedance ( $\Omega$ )	$8 \pm 20\%$
Rated (Max) Power (W)	0.2 (0.4)
Resonance Frequency (Hz)	$400 \pm 20\%$
Rated Freq. Range (Hz)	f.~5000
Sound Pressure Level (dB/1m, 1w)	$83 \pm 3$
Weight (g)	9
Operating Temperature ( $^{\circ}\text{C}$ )	-10~+40



### YDB58-11

Rated Impedance ( $\Omega$ )	$8 \pm 15\%$
Rated (Max) Power (W)	0.25 (0.5)
Resonance Frequency (Hz)	$500 \pm 20\%$
Rated Freq. Range (Hz)	f.~4000
Sound Pressure Level (dB/1m, 1w)	$85 \pm 3$
Weight (g)	16
Operating Temperature ( $^{\circ}\text{C}$ )	-10~+40

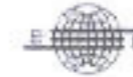
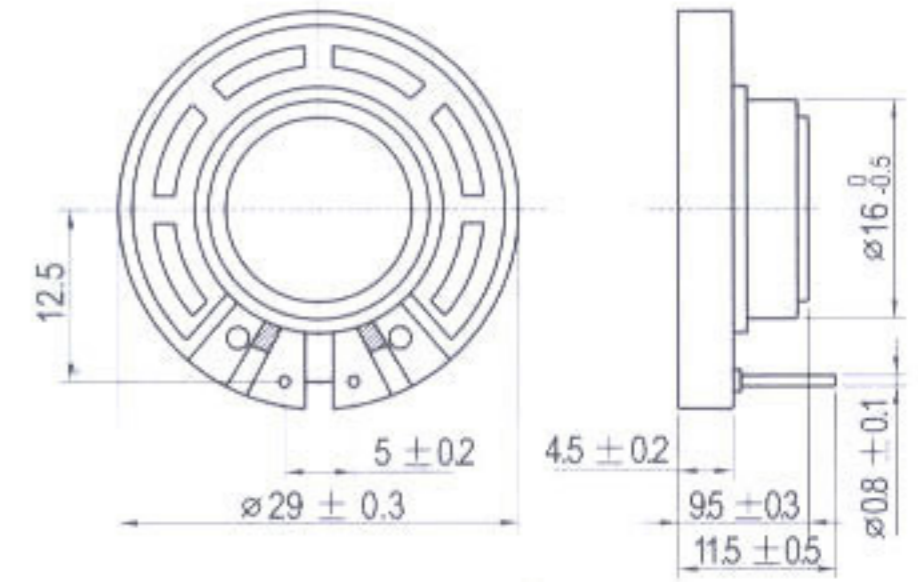
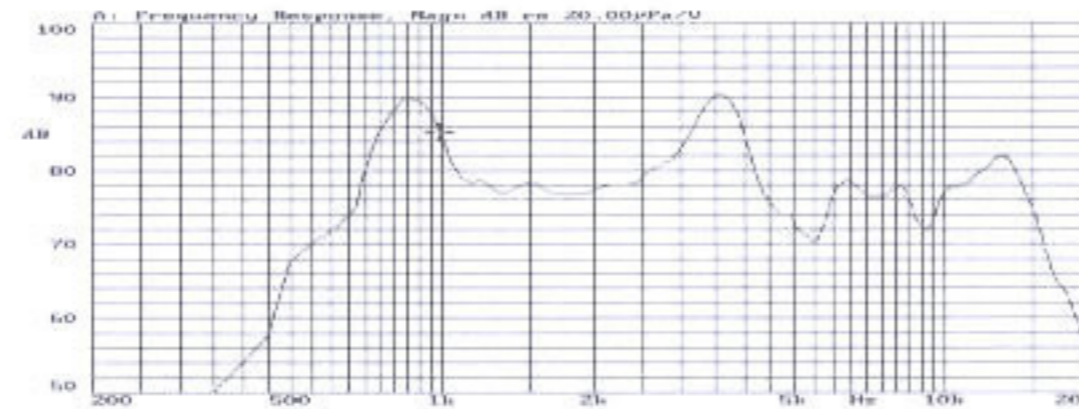






**YDB29-1P**

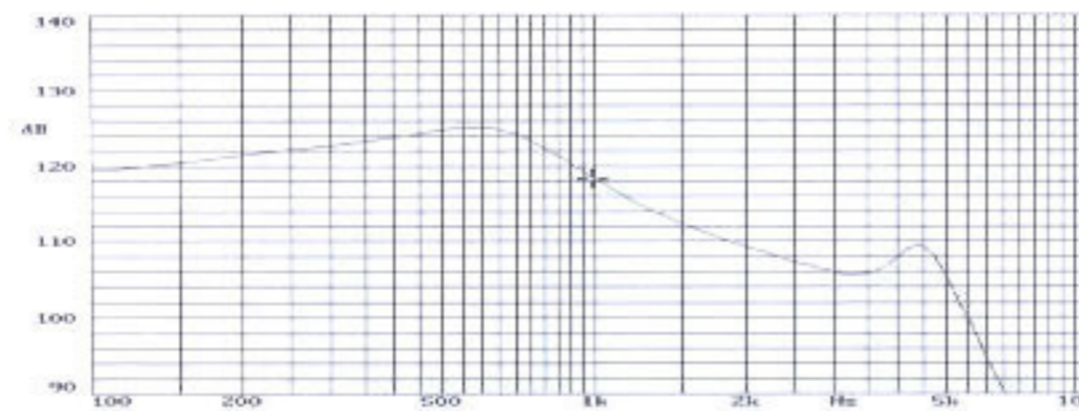
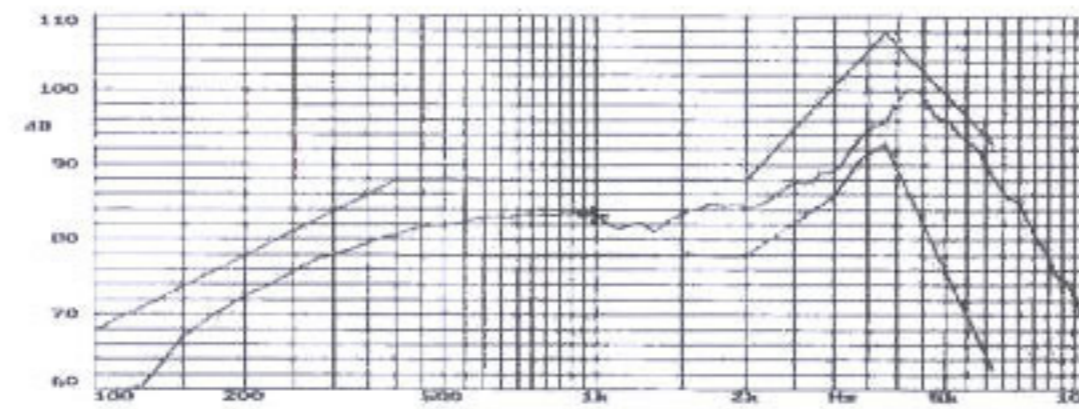
Rated Impedance ( $\Omega$ )	8 $\pm$ 15%
Rated (Max) Power (W)	0.1 (0.2)
Resonance Frequency (Hz)	550 $\pm$ 20%
Rated Freq. Range (Hz)	f <sub>s</sub> ~ 4000
Sound Pressure Level (dB/1m, 1w)	80 $\pm$ 3
Weight (g)	8
Operating Temperature ( $^{\circ}$ C)	-20 ~ +60



**DSSR2008J01**

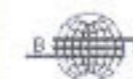
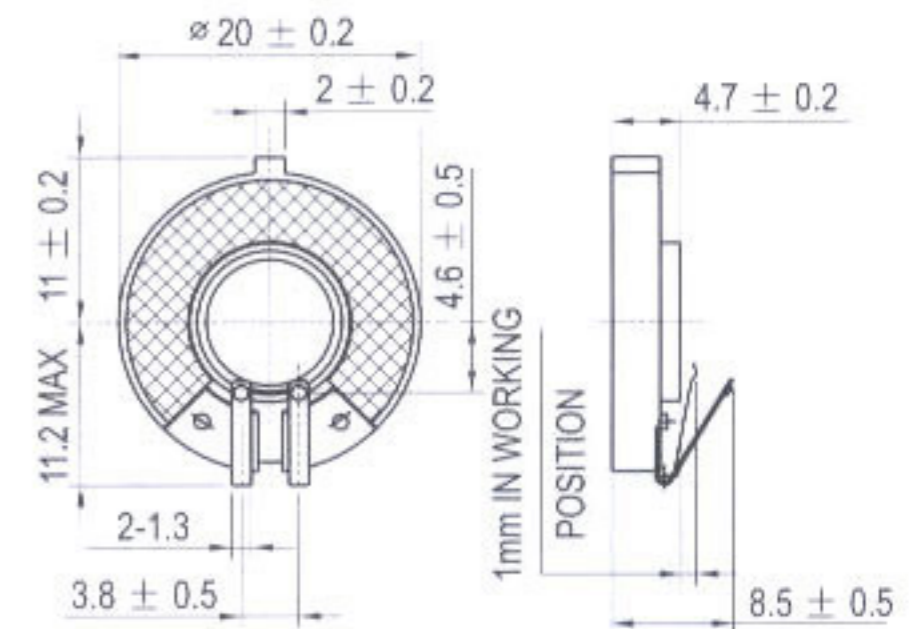
**Speaker**

Rated Impedance ( $\Omega$ )	8 $\pm$ 15%
Rated (Max) Power (W)	0.1 (0.2)
Resonance Frequency (Hz)	
Rated Freq. Range (Hz)	300 ~ 5000
Sound Output@1Vms, 10cm sine wave/IEC318	82 $\pm$ 2
Weight (g)	4.5
Operating Temperature ( $^{\circ}$ C)	-20 ~ +60



**Receiver**

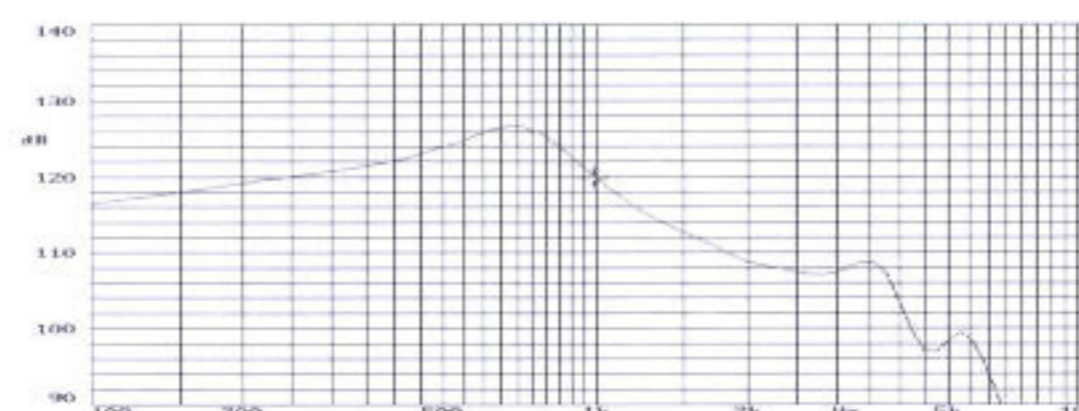
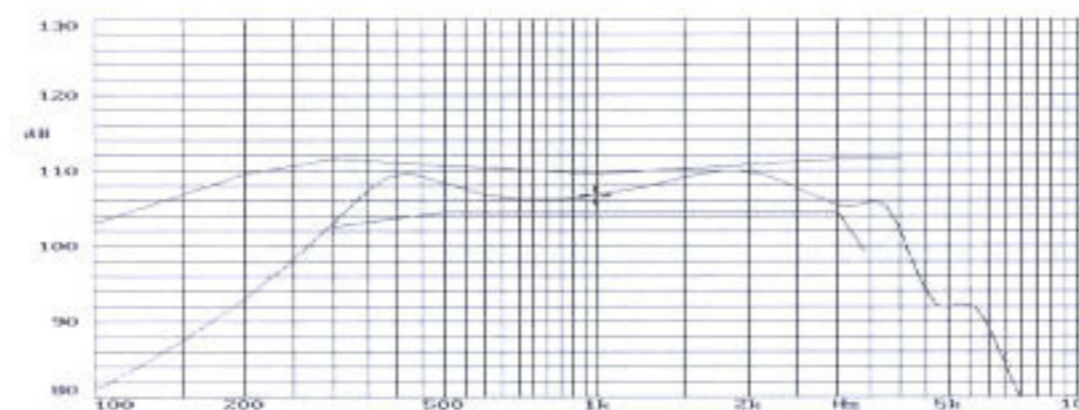
DC Resistance ( $\Omega$ )	7.4 $\pm$ 7%
AC Impedance at 1kHz ( $\Omega$ )	8 $\pm$ 15%
Sound Output@1Vms, 100cm sine wave/IEC318	120 $\pm$ 3dB
Frequency Range (Hz)	300 ~ 3400
THD at 1kHz	$\leq$ 3%
Weight (g)	4.5
Operating Temperature ( $^{\circ}$ C)	-20 ~ +60



**DSSR2308J01**

**Speaker**

Rated Impedance ( $\Omega$ )	8 $\pm$ 15%
Rated (Max) Power (W)	0.1 (0.2)
Resonance Frequency (Hz)	
Rated Freq. Range (Hz)	300 ~ 6000
Sound Output@1Vms, 10cm sine wave/IEC318	$\geq$ 81
Weight (g)	5
Operating Temperature ( $^{\circ}$ C)	-20 ~ +70



**Receiver**

DC Resistance ( $\Omega$ )	7.4 $\pm$ 7%
AC Impedance at 1kHz ( $\Omega$ )	8 $\pm$ 15%
Sound Output@1Vms, 100cm sine wave/IEC318	120 $\pm$ 3dB
Frequency Range (Hz)	300 ~ 3400
THD at 1kHz	$\leq$ 3%
Weight (g)	5
Operating Temperature ( $^{\circ}$ C)	-20 ~ +70

