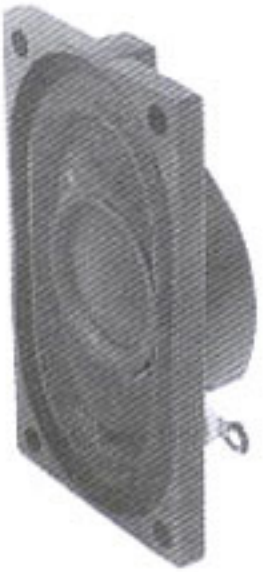
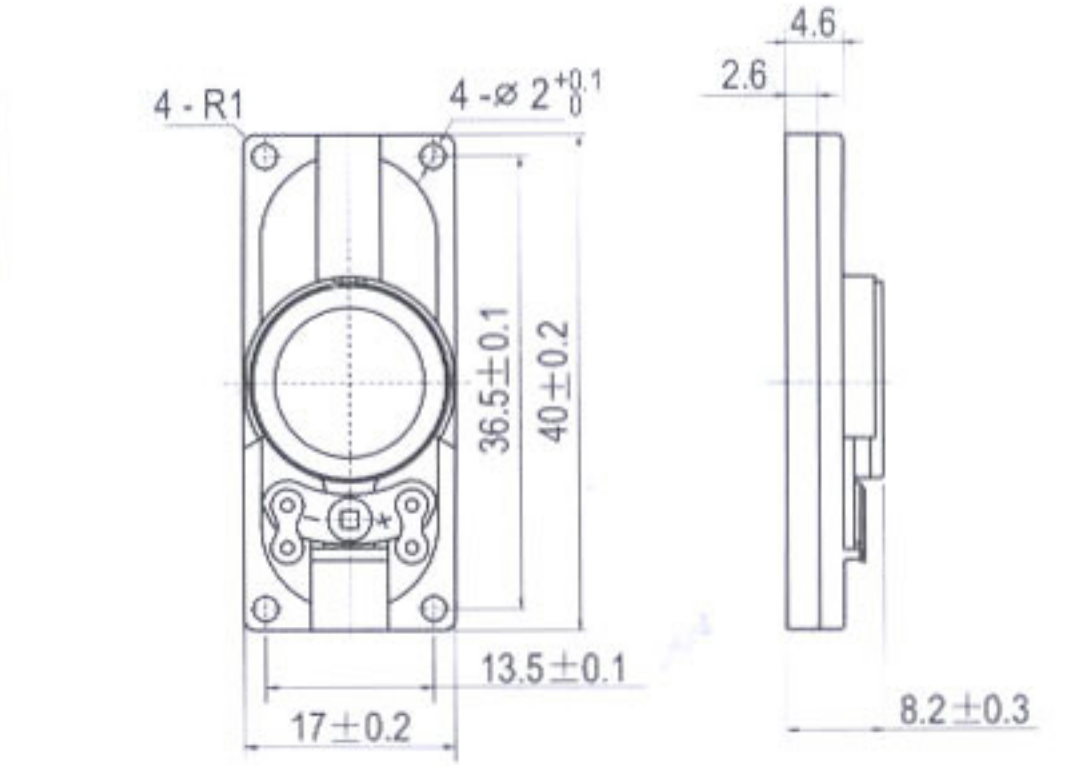
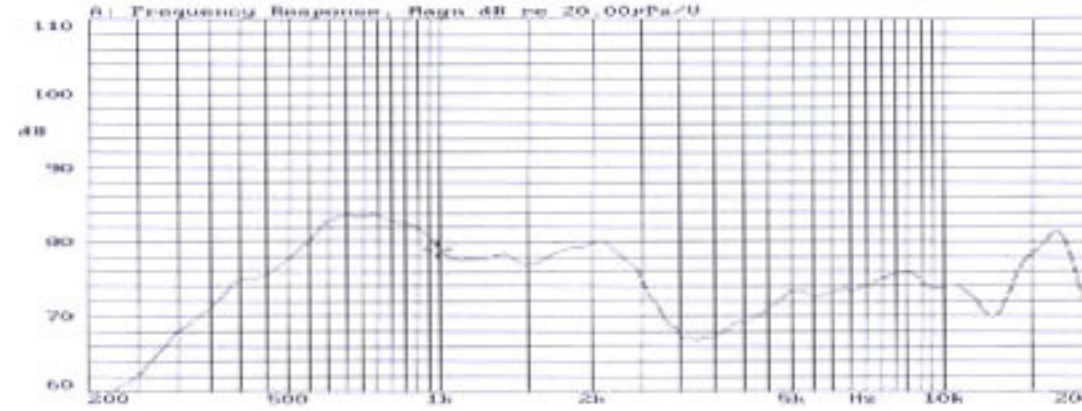




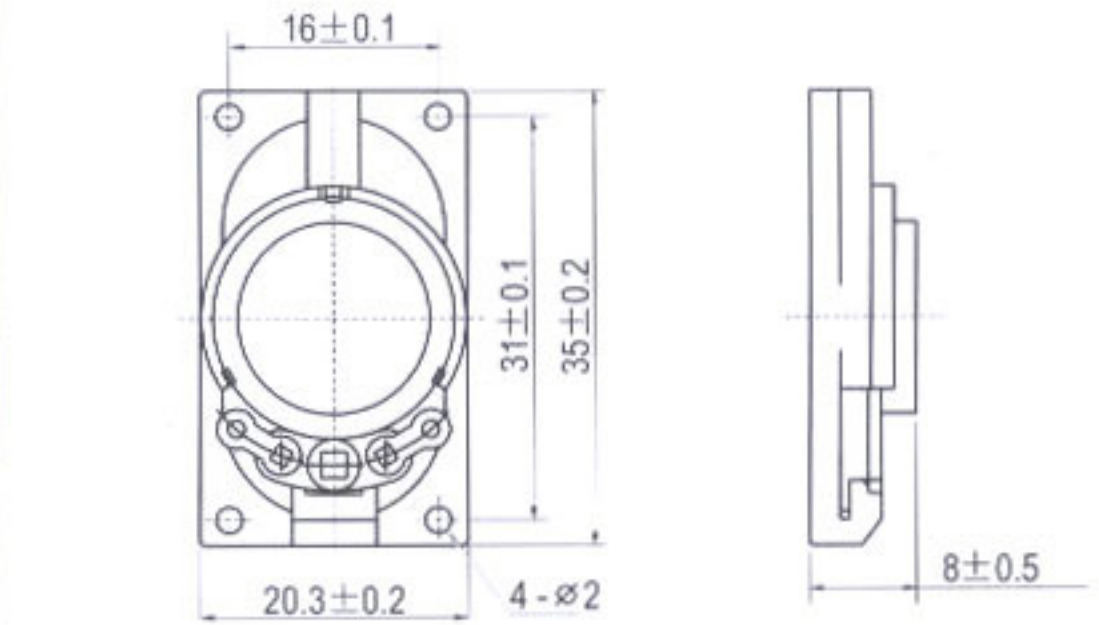
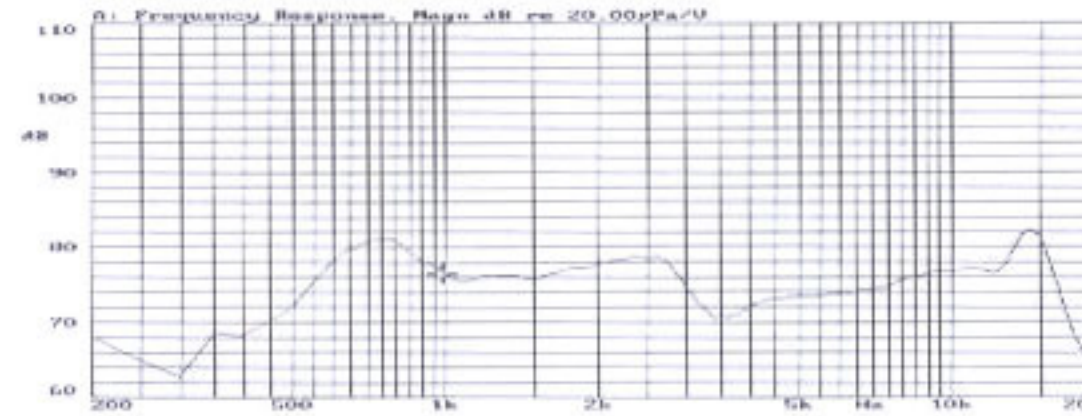
YDP1740-1

Rated Impedance (Ω)	$8 \pm 15\%$
Rated (Max) Power (W)	0.5 (1)
Resonance Frequency (Hz)	$600 \pm 25\%$
Rated Freq. Range (Hz)	f.~20000
Sound Pressure Level (dB/1m, 1w)	79 ± 3
Weight (g)	6.2
Operating Temperature ($^{\circ}\text{C}$)	-10~+40



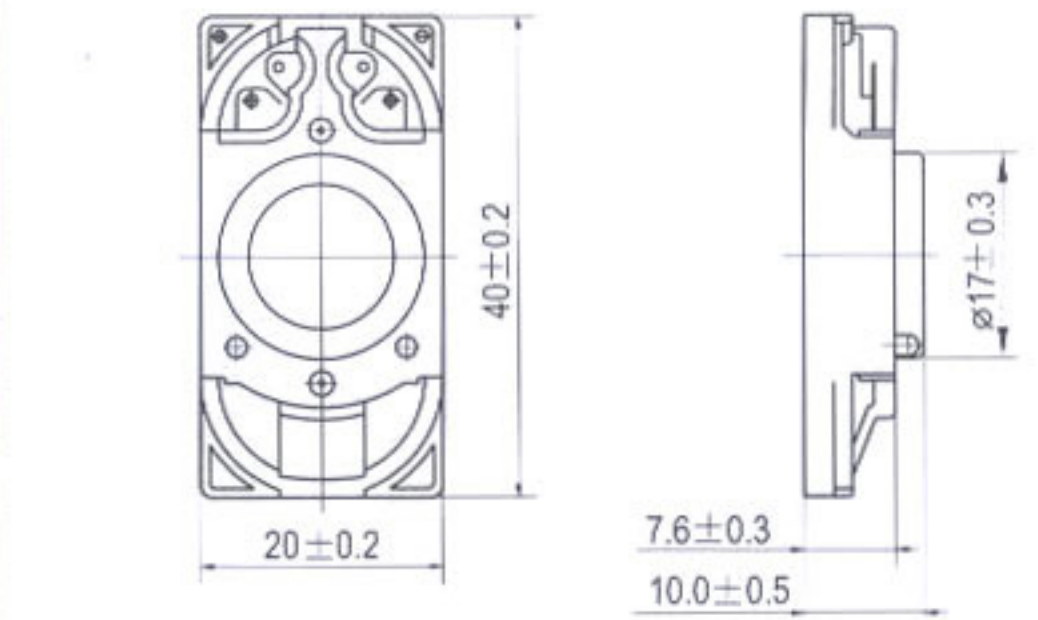
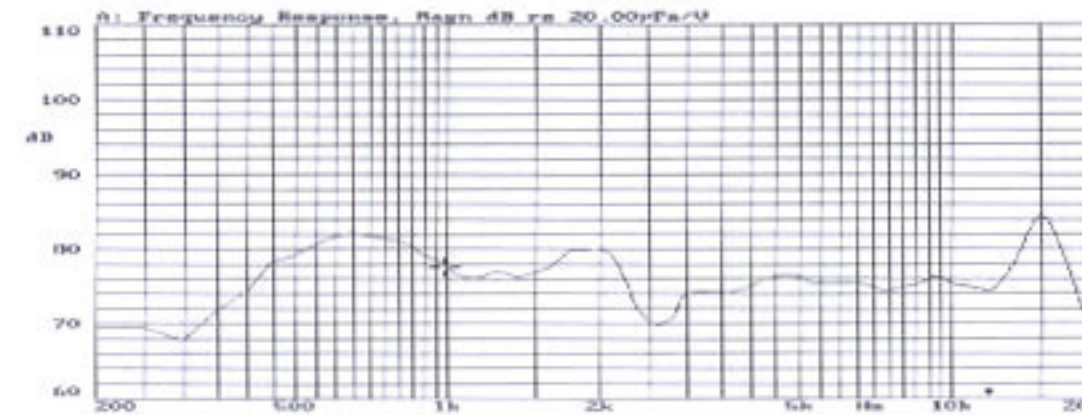
YDP2035-11

Rated Impedance (Ω)	$8 \pm 15\%$
Rated (Max) Power (W)	1 (2)
Resonance Frequency (Hz)	$600 \pm 20\%$
Rated Freq. Range (Hz)	f.~15000
Sound Pressure Level (dB/1m, 1w)	78 ± 3
Weight (g)	6.2
Operating Temperature ($^{\circ}\text{C}$)	-10~+40



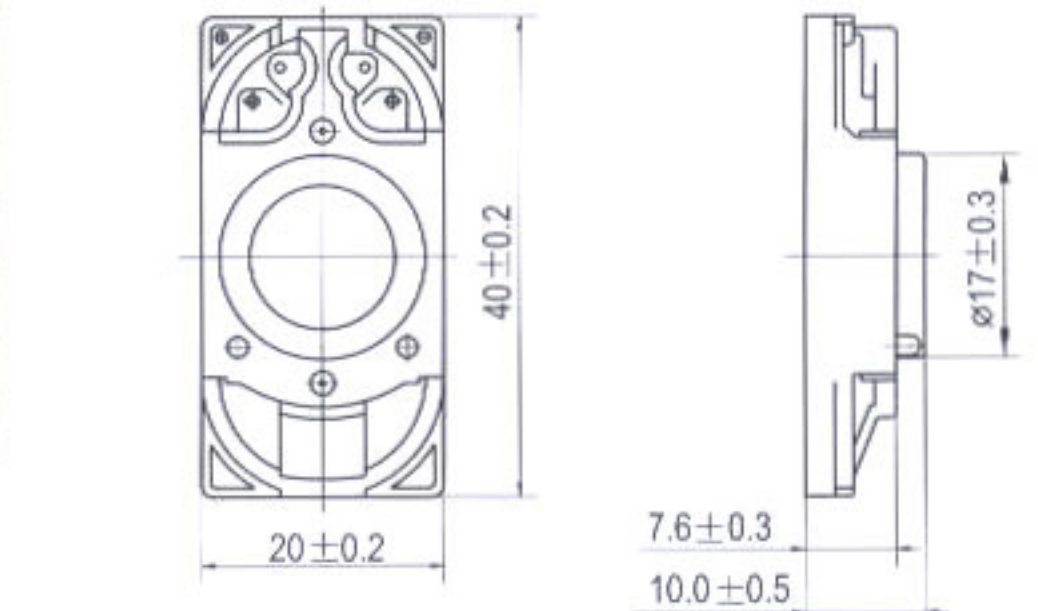
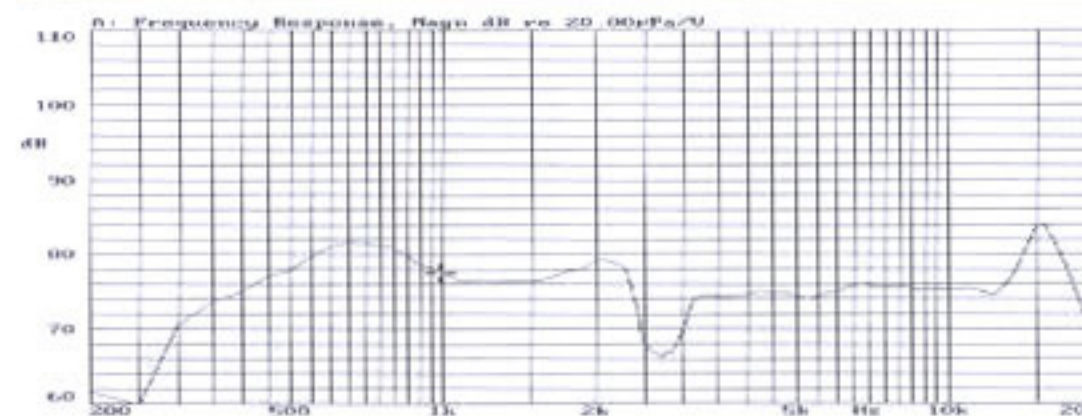
YDP2040-11

Rated Impedance (Ω)	$8 \pm 15\%$
Rated (Max) Power (W)	1 (2)
Resonance Frequency (Hz)	$450 \pm 20\%$
Rated Freq. Range (Hz)	f.~15000
Sound Pressure Level (dB/1m, 1w)	78 ± 3
Weight (g)	6.9
Operating Temperature ($^{\circ}\text{C}$)	-10~+40



YDP2040-11B

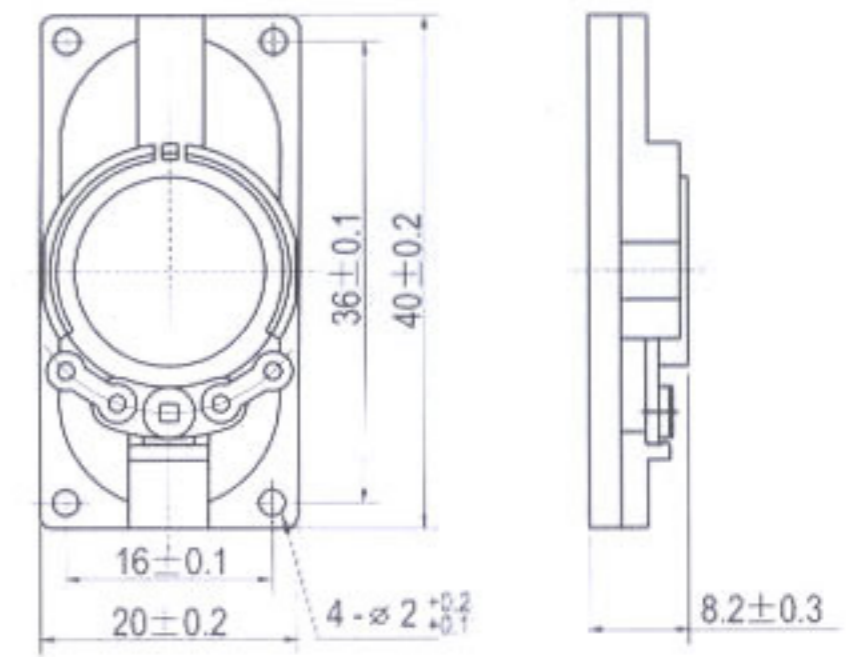
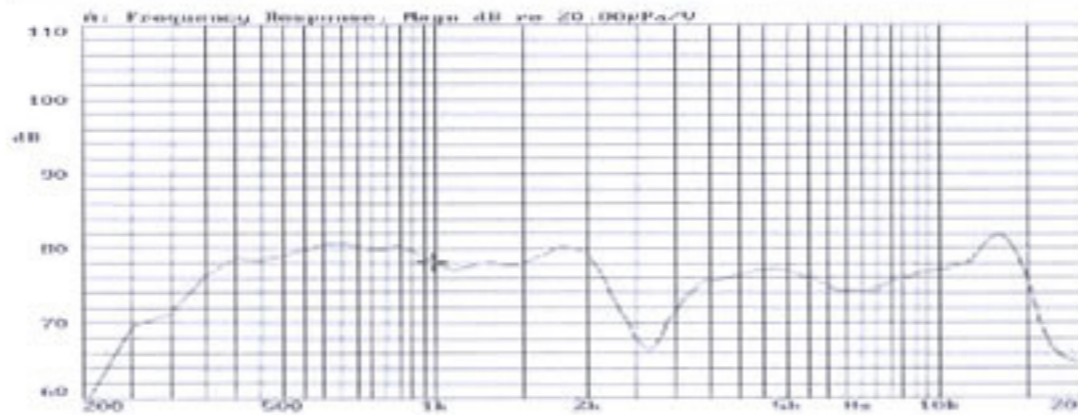
Rated Impedance (Ω)	$4 \pm 15\%$
Rated (Max) Power (W)	1.5 (2)
Resonance Frequency (Hz)	$500 \pm 20\%$
Rated Freq. Range (Hz)	f.~15000
Sound Pressure Level (dB/1m, 1w)	78 ± 3
Weight (g)	6.9
Operating Temperature ($^{\circ}\text{C}$)	-10~+40





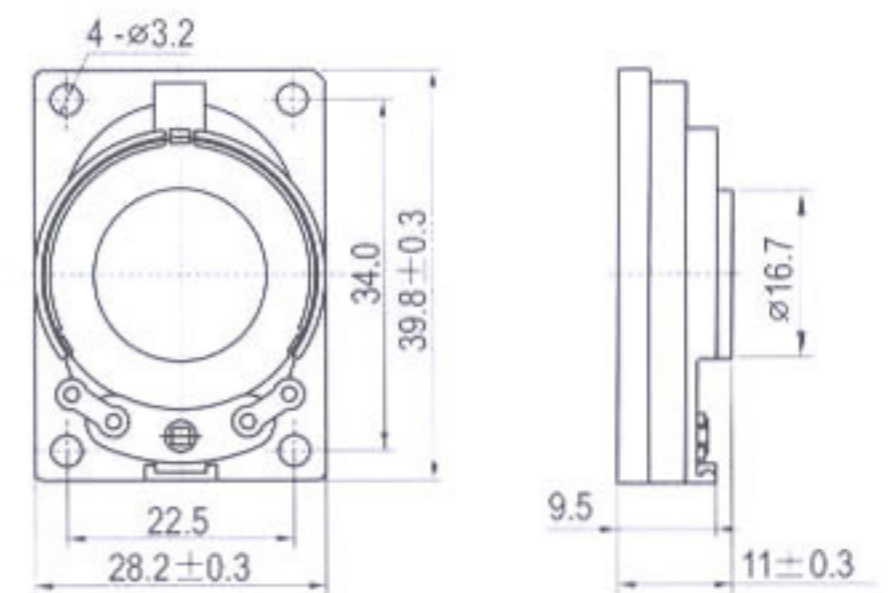
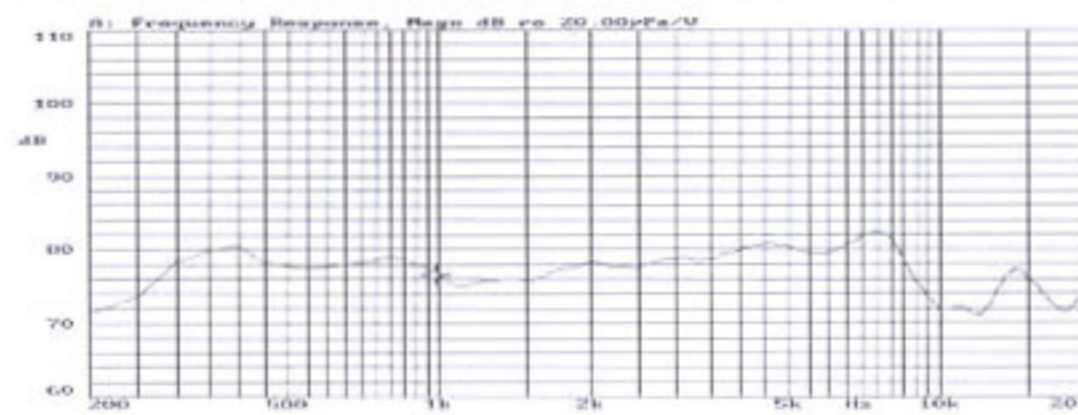
YDP2040-12

Rated Impedance (Ω)	$8 \pm 15\%$
Rated (Max) Power (W)	1 (2)
Resonance Frequency (Hz)	$450 \pm 20\%$
Rated Freq. Range (Hz)	$f_s \sim 15000$
Sound Pressure Level (dB/1m, 1w)	78 ± 3
Weight (g)	6.3
Operating Temperature ($^{\circ}\text{C}$)	$-10 \sim +40$



YDP3040-11

Rated Impedance (Ω)	$8 \pm 15\%$
Rated (Max) Power (W)	0.2 (0.4)
Resonance Frequency (Hz)	$450 \pm 20\%$
Rated Freq. Range (Hz)	$f_s \sim 12000$
Sound Pressure Level (dB/1m, 1w)	78 ± 3
Weight (g)	12.6
Operating Temperature ($^{\circ}\text{C}$)	$-10 \sim +40$



YDP3040-12

Rated Impedance (Ω)	$8 \pm 15\%$
Rated (Max) Power (W)	2 (3)
Resonance Frequency (Hz)	$330 \pm 20\%$
Rated Freq. Range (Hz)	$f_s \sim 20000$
Sound Pressure Level (dB/1m, 1w)	77 ± 3
Weight (g)	12.6
Operating Temperature ($^{\circ}\text{C}$)	$-10 \sim +40$

