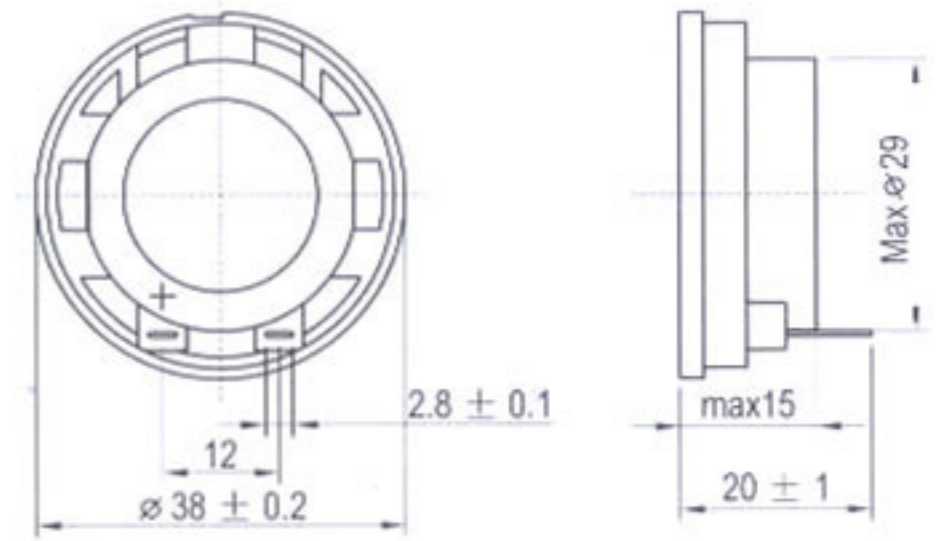
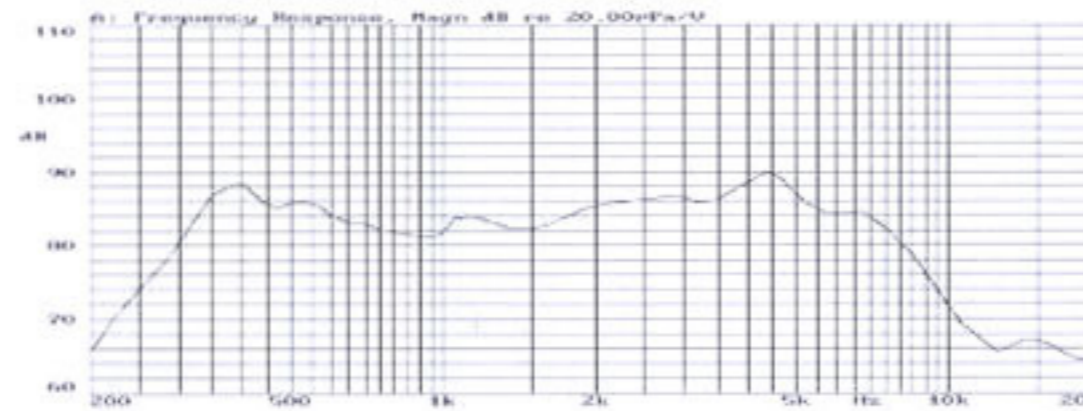


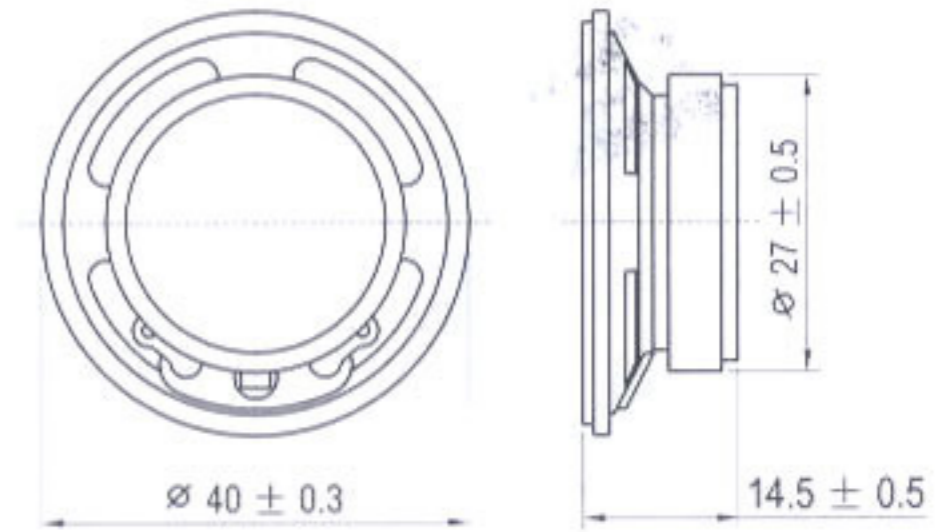
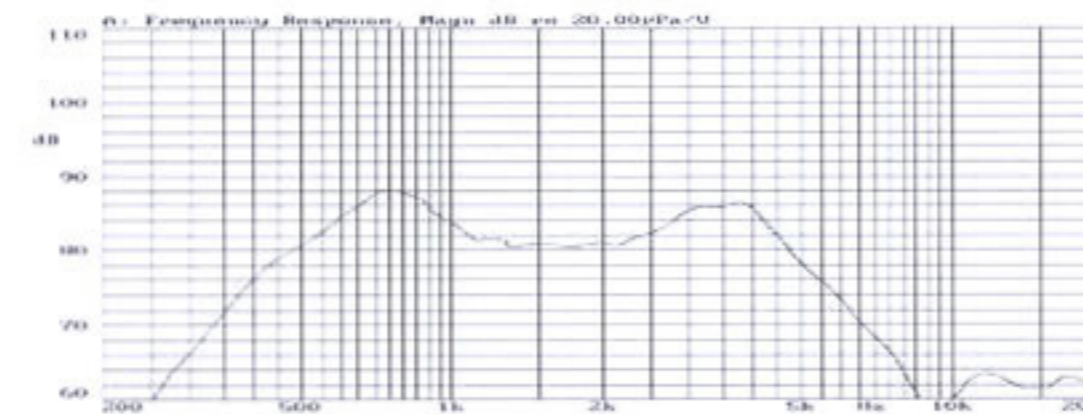
YD38-1

Rated Impedance (Ω)	$8 \pm 15\%$
Rated (Max) Power (W)	0.25 (0.5)
Resonance Frequency (Hz)	$450 \pm 20\%$
Rated Freq. Range (Hz)	$f_s \sim 5000$
Sound Pressure Level (dB/1m, 1w)	82 ± 3
Weight (g)	24
Operating Temperature ($^{\circ}\text{C}$)	$-10 \sim +40$



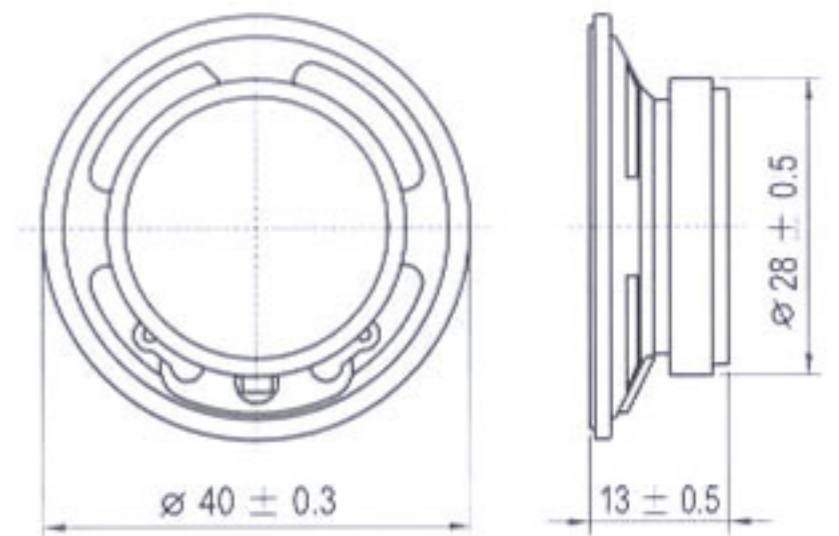
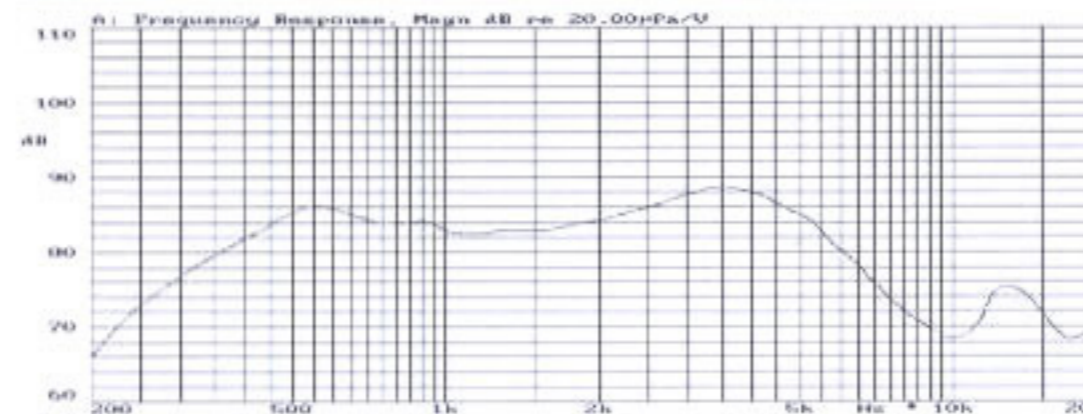
YD40-1

Rated Impedance (Ω)	$8 \pm 15\%$
Rated (Max) Power (W)	0.2 (0.4)
Resonance Frequency (Hz)	$800 \pm 20\%$
Rated Freq. Range (Hz)	$f_s \sim 3500$
Sound Pressure Level (dB/1m, 1w)	80 ± 3
Weight (g)	24
Operating Temperature ($^{\circ}\text{C}$)	$-10 \sim +40$



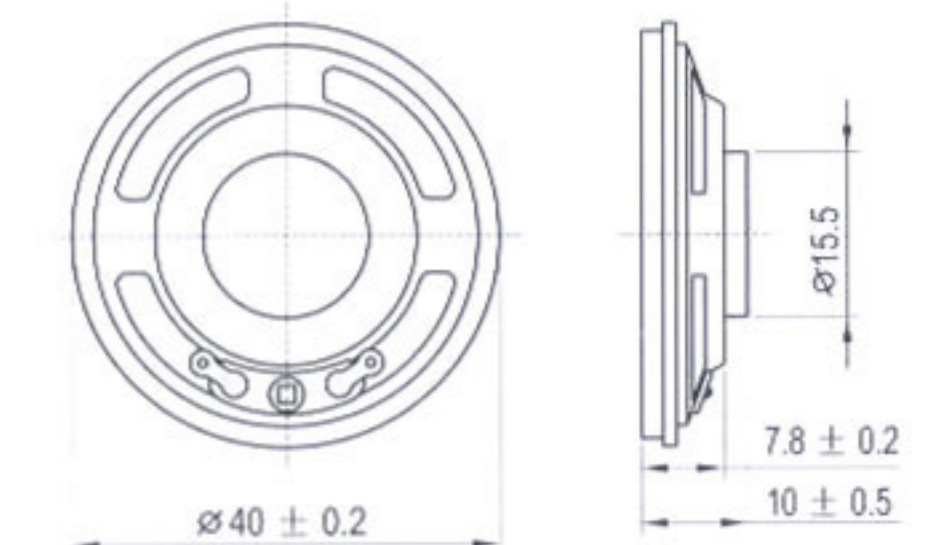
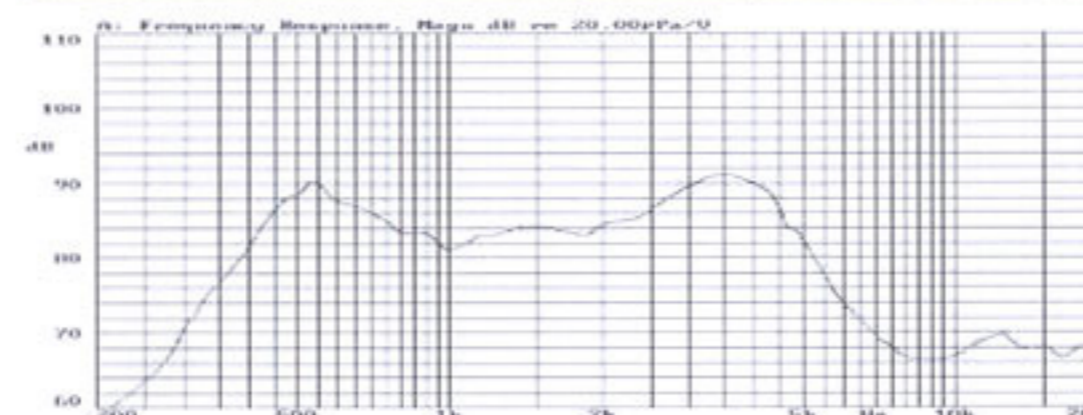
YD40-3

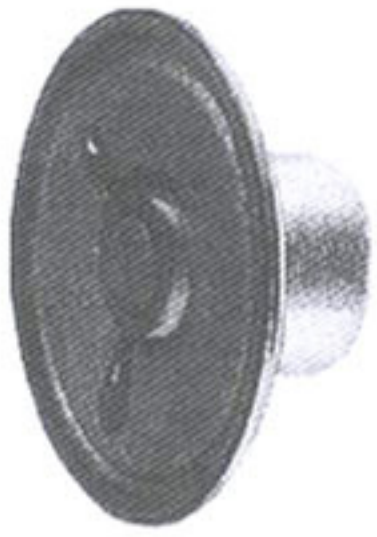
Rated Impedance (Ω)	$8 \pm 15\%$
Rated (Max) Power (W)	1 (2)
Resonance Frequency (Hz)	$500 \pm 20\%$
Rated Freq. Range (Hz)	$f_s \sim 3500$
Sound Pressure Level (dB/1m, 1w)	83 ± 3
Weight (g)	28
Operating Temperature ($^{\circ}\text{C}$)	$-10 \sim +40$



YD40-11

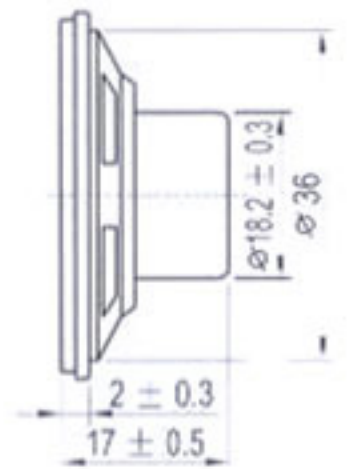
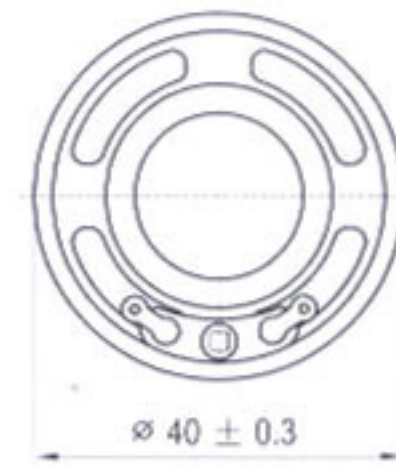
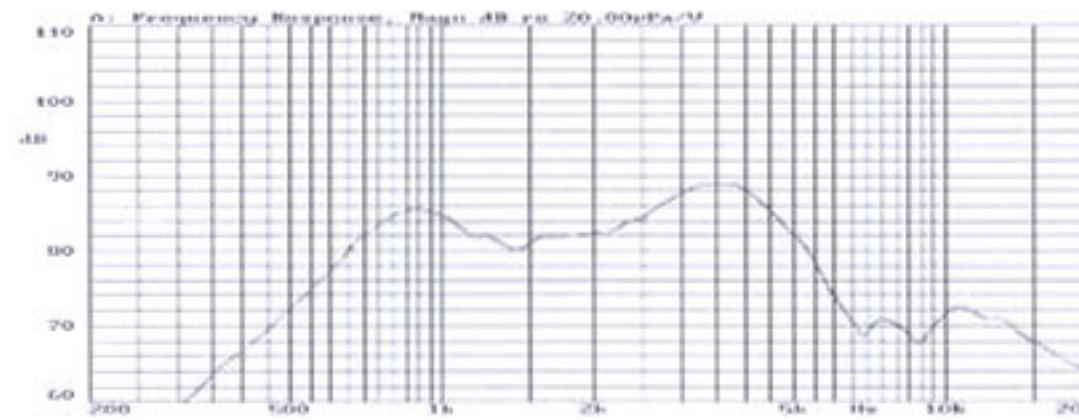
Rated Impedance (Ω)	$8 \pm 15\%$
Rated (Max) Power (W)	0.25 (0.5)
Resonance Frequency (Hz)	$480 \pm 20\%$
Rated Freq. Range (Hz)	$f_s \sim 4000$
Sound Pressure Level (dB/1m, 1w)	85 ± 3
Weight (g)	15
Operating Temperature ($^{\circ}\text{C}$)	$-10 \sim +40$





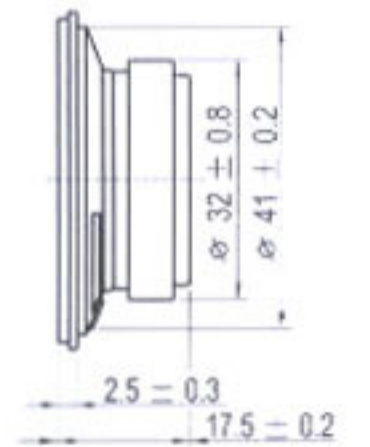
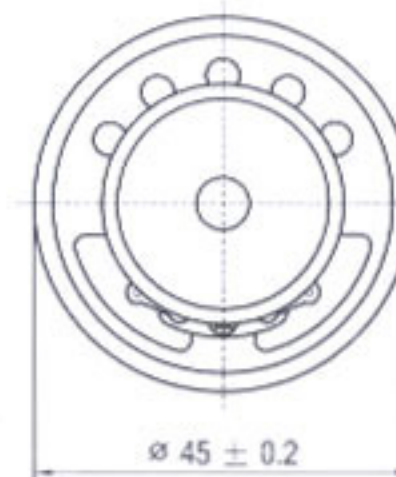
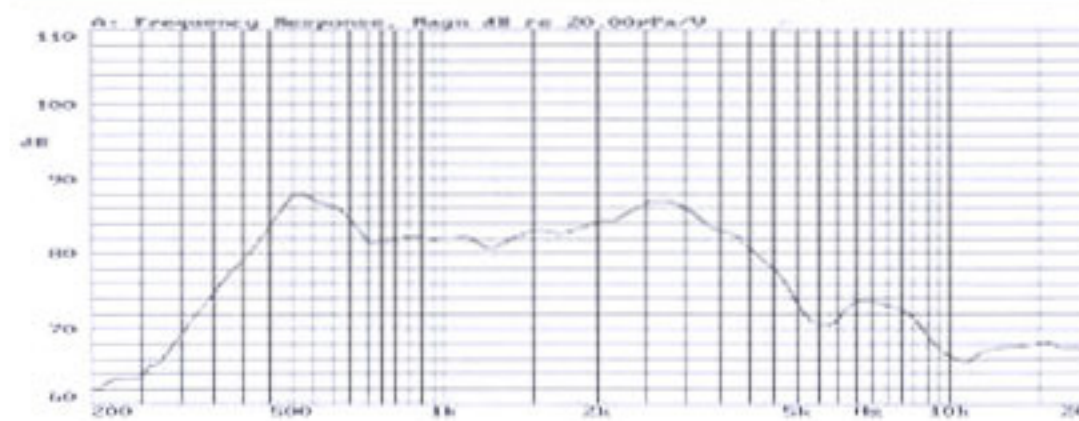
YD40-12

Rated Impedance (Ω)	$8 \pm 15\%$
Rated (Max) Power (W)	0.1 (0.2)
Resonance Frequency (Hz)	$700 \pm 20\%$
Rated Freq. Range (Hz)	f.~4500
Sound Pressure Level (dB/1m, 1w)	82 ± 2
Weight (g)	23.5
Operating Temperature ($^{\circ}\text{C}$)	-10~+40



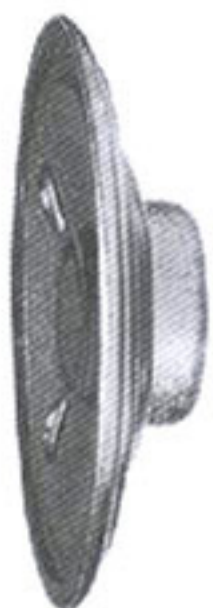
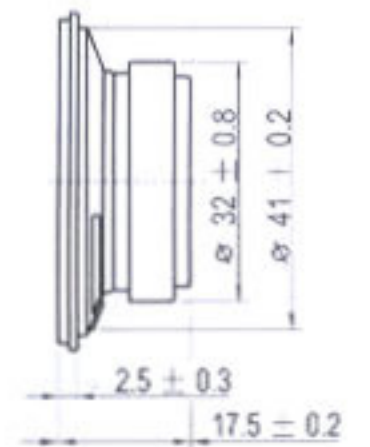
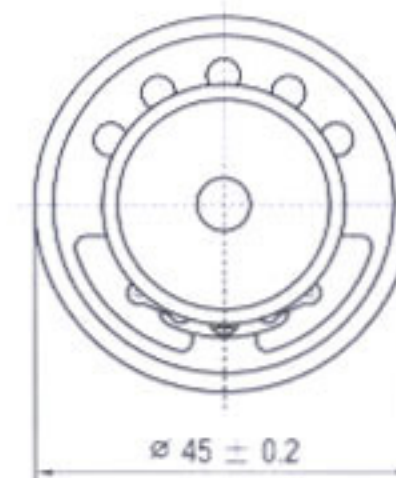
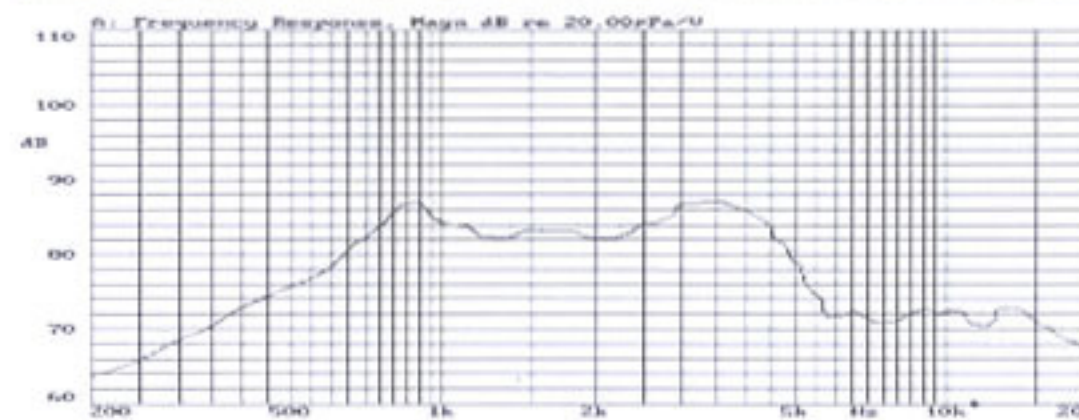
YD45-1

Rated Impedance (Ω)	$8 \pm 15\%$
Rated (Max) Power (W)	0.1 (0.25)
Resonance Frequency (Hz)	$450 \pm 20\%$
Rated Freq. Range (Hz)	f.~4000
Sound Pressure Level (dB/1m, 1w)	83 ± 3
Weight (g)	49
Operating Temperature ($^{\circ}\text{C}$)	-10~+40



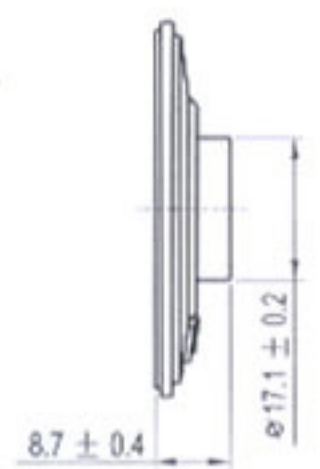
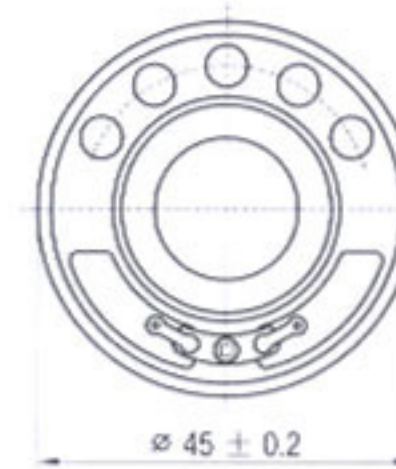
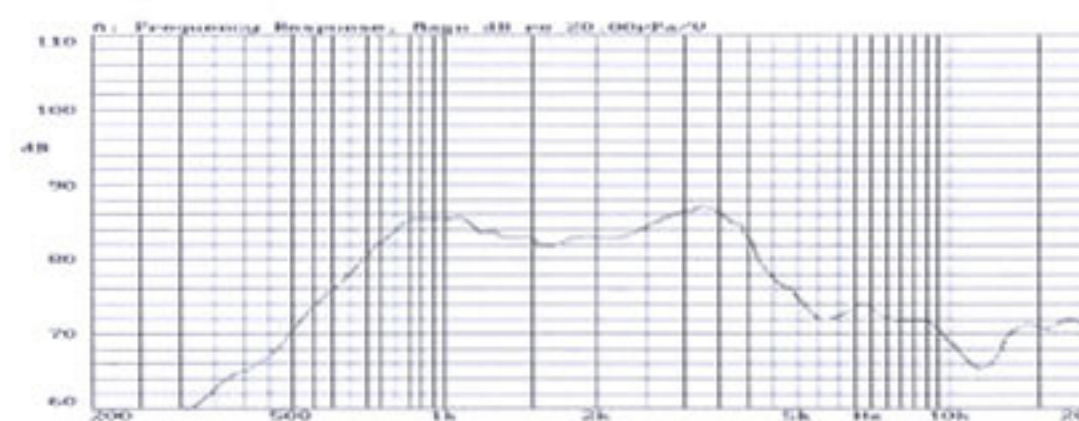
YD45-1B

Rated Impedance (Ω)	$8 \pm 15\%$
Rated (Max) Power (W)	0.1 (0.25)
Resonance Frequency (Hz)	$700 \pm 20\%$
Rated Freq. Range (Hz)	f.~3500
Sound Pressure Level (dB/1m, 1w)	83 ± 3
Weight (g)	49
Operating Temperature ($^{\circ}\text{C}$)	-10~+40



YD45-11

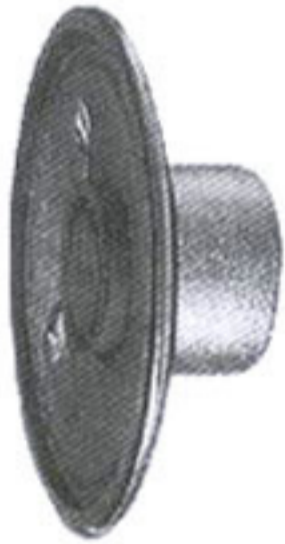
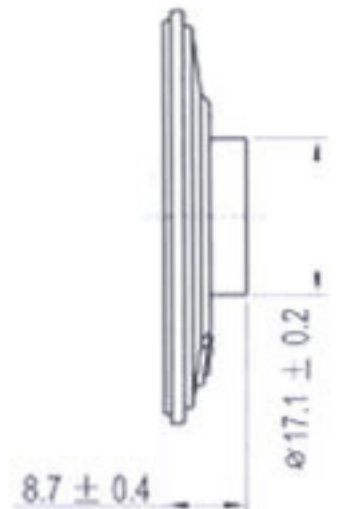
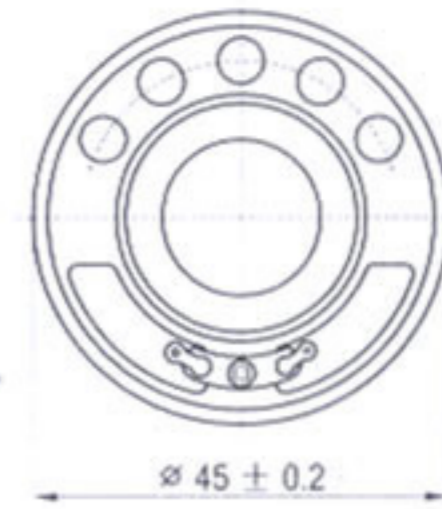
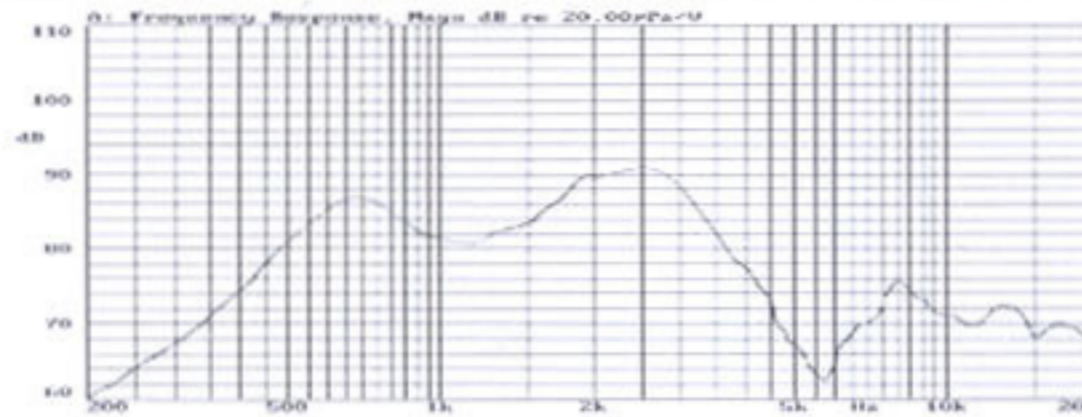
Rated Impedance (Ω)	$8 \pm 15\%$
Rated (Max) Power (W)	0.25 (0.4)
Resonance Frequency (Hz)	$700 \pm 20\%$
Rated Freq. Range (Hz)	f.~3500
Sound Pressure Level (dB/1m, 1w)	85 ± 2
Weight (g)	15
Operating Temperature ($^{\circ}\text{C}$)	-10~+40





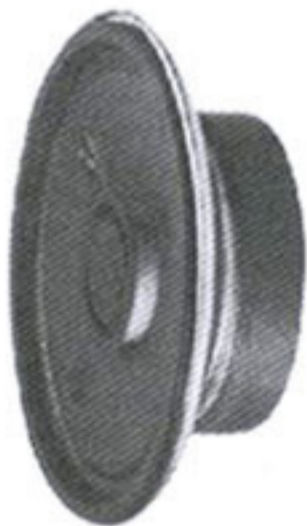
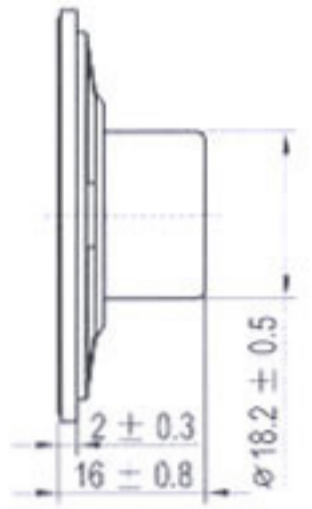
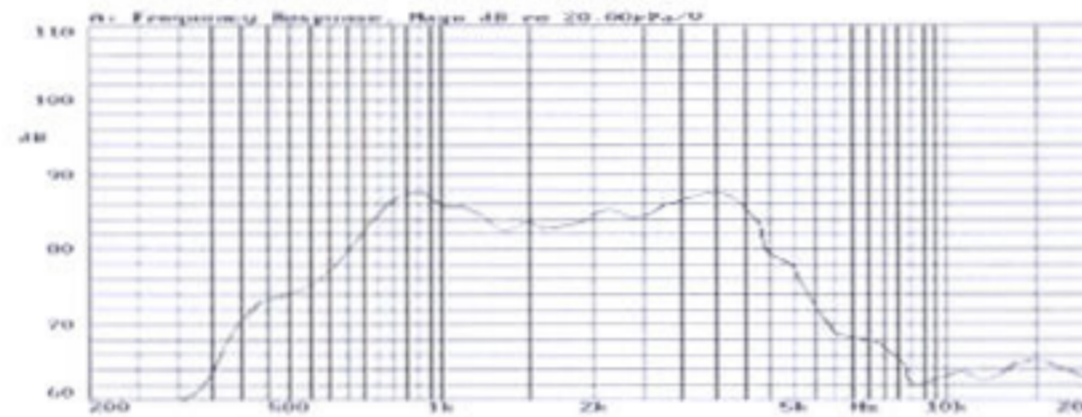
YD45-11B

Rated Impedance (Ω)	$8 \pm 15\%$
Rated (Max) Power (W)	0.25 (0.5)
Resonance Frequency (Hz)	$700 \pm 20\%$
Rated Freq. Range (Hz)	$f_s \sim 3500$
Sound Pressure Level (dB/1m, 1w)	84 ± 3
Weight (g)	12
Operating Temperature ($^{\circ}\text{C}$)	$-10 \sim +40$



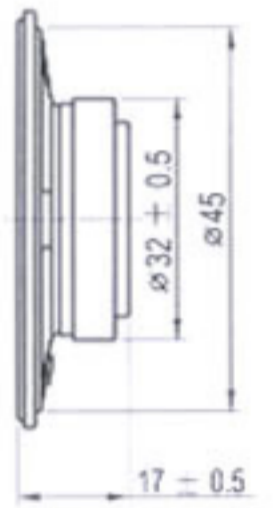
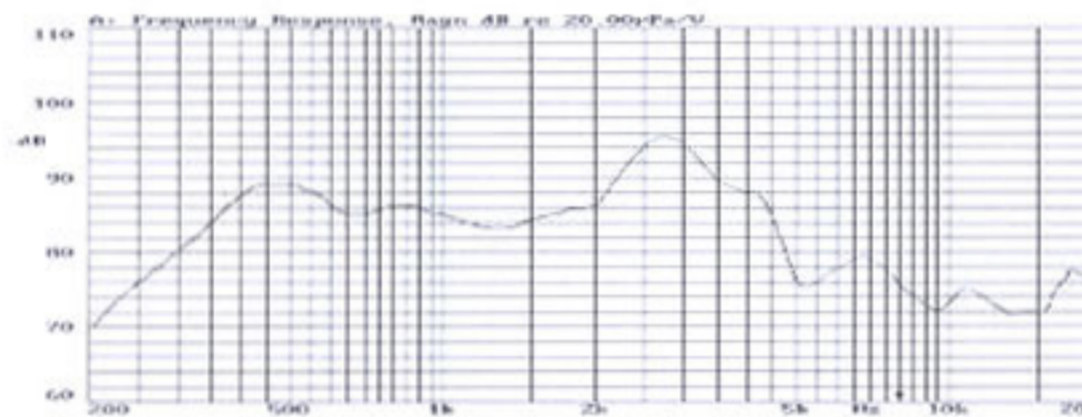
YD45-13

Rated Impedance (Ω)	$8 \pm 15\%$
Rated (Max) Power (W)	0.25 (0.5)
Resonance Frequency (Hz)	$600 \pm 20\%$
Rated Freq. Range (Hz)	$f_s \sim 4000$
Sound Pressure Level (dB/1m, 1w)	85 ± 3
Weight (g)	25
Operating Temperature ($^{\circ}\text{C}$)	$-10 \sim +40$



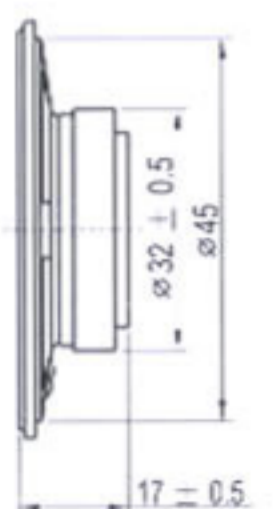
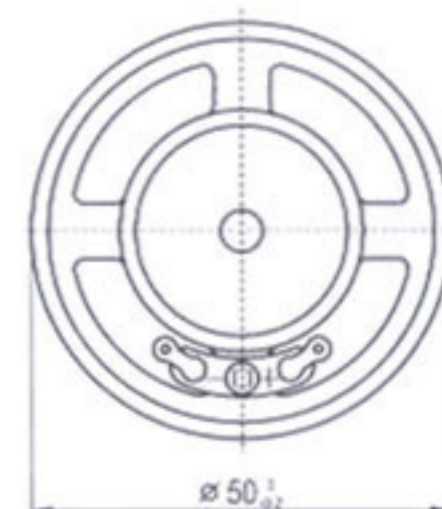
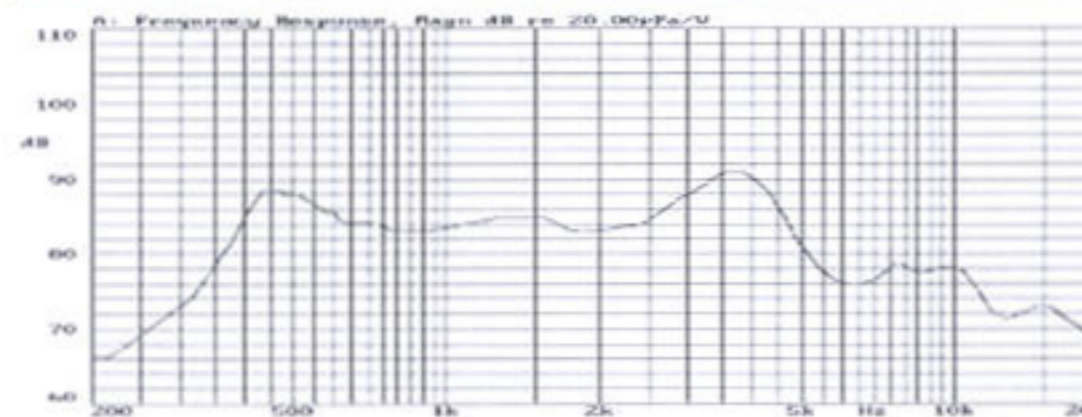
YD50-1

Rated Impedance (Ω)	$8 \pm 15\%$
Rated (Max) Power (W)	0.2 (0.4)
Resonance Frequency (Hz)	360 ± 50
Rated Freq. Range (Hz)	$f_s \sim 3400$
Sound Pressure Level (dB/1m, 1w)	≤ 83
Weight (g)	51
Operating Temperature ($^{\circ}\text{C}$)	$-10 \sim +40$



YD50-1B

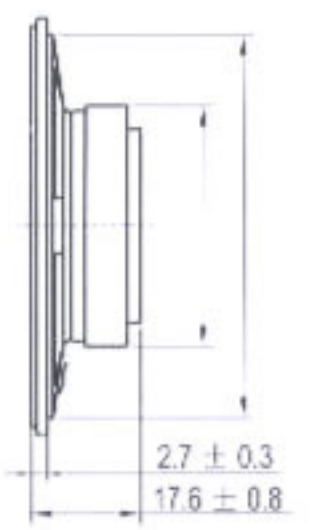
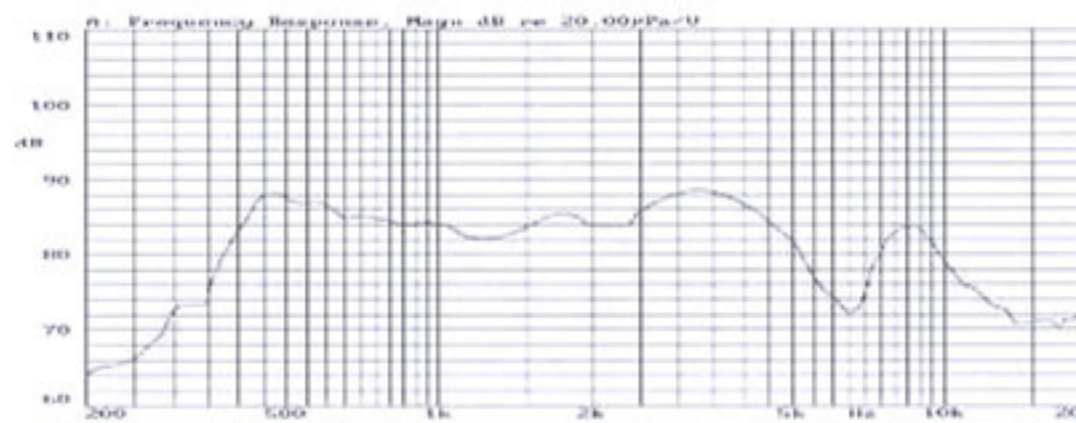
Rated Impedance (Ω)	$8 \pm 15\%$
Rated (Max) Power (W)	0.2 (0.4)
Resonance Frequency (Hz)	$550 \pm 20\%$
Rated Freq. Range (Hz)	$f_s \sim 4500$
Sound Pressure Level (dB/1m, 1w)	84 ± 3
Weight (g)	51
Operating Temperature ($^{\circ}\text{C}$)	$-10 \sim +40$





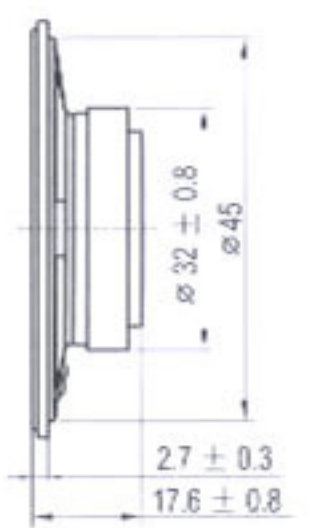
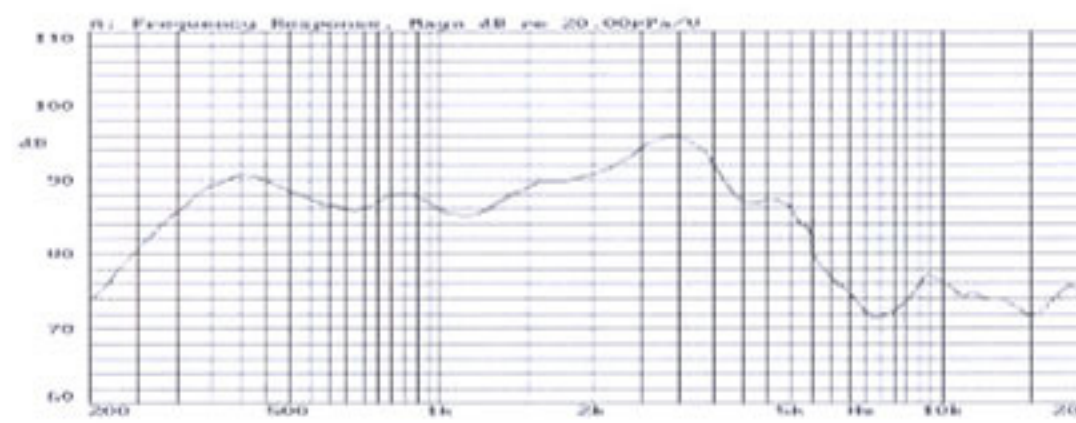
YD50-2

Rated Impedance (Ω)	$8 \pm 15\%$
Rated (Max) Power (W)	0.2 (0.5)
Resonance Frequency (Hz)	$450 \pm 20\%$
Rated Freq. Range (Hz)	$f_s \sim 4000$
Sound Pressure Level (dB/1m, 1w)	84 ± 3
Weight (g)	51
Operating Temperature ($^{\circ}\text{C}$)	$-10 \sim +40$



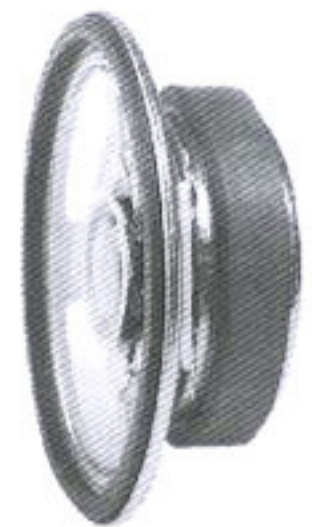
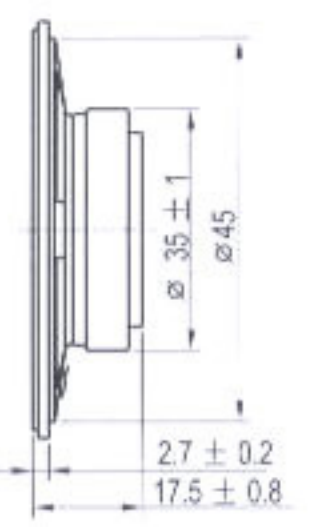
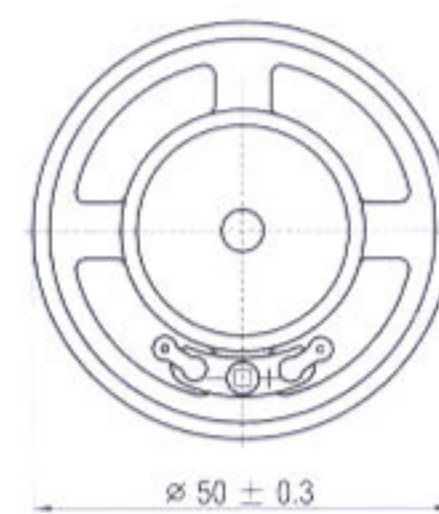
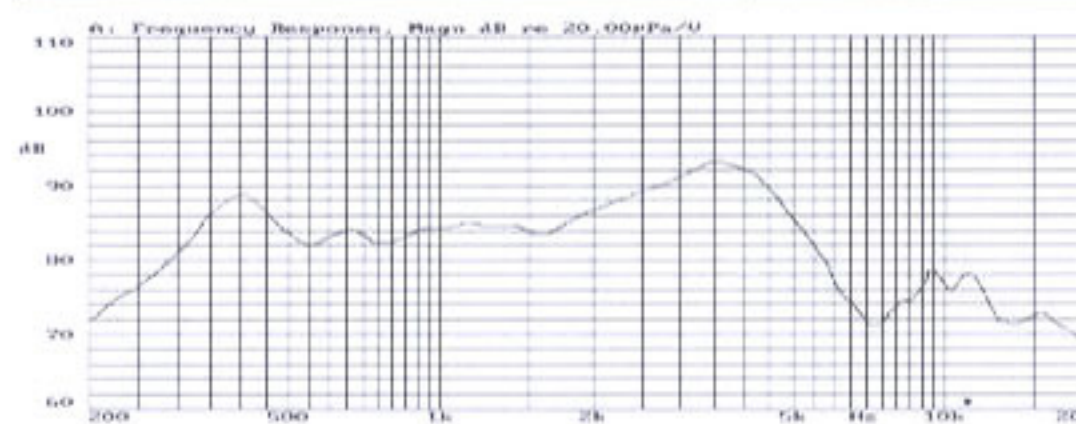
YD50-2B

Rated Impedance (Ω)	$8 \pm 15\%$
Rated (Max) Power (W)	0.2 (0.4)
Resonance Frequency (Hz)	$550 \pm 20\%$
Rated Freq. Range (Hz)	$f_s \sim 4500$
Sound Pressure Level (dB/1m, 1w)	84 ± 2
Weight (g)	51
Operating Temperature ($^{\circ}\text{C}$)	$-10 \sim +40$



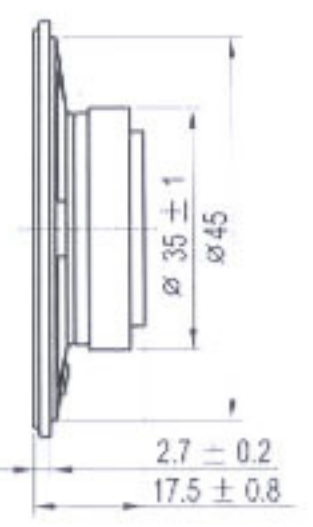
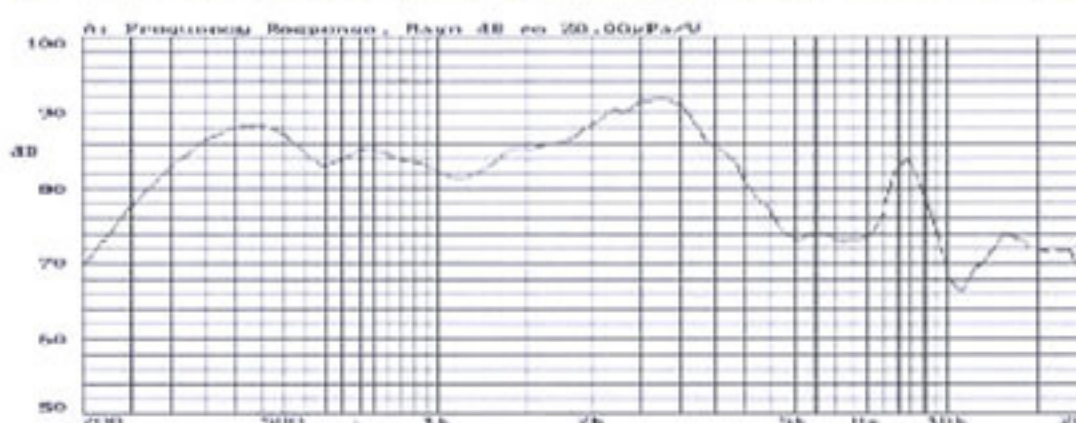
YD50-3

Rated Impedance (Ω)	$8 \pm 15\%$
Rated (Max) Power (W)	0.2 (0.4)
Resonance Frequency (Hz)	$380 \pm 20\%$
Rated Freq. Range (Hz)	$f_s \sim 4000$
Sound Pressure Level (dB/1m, 1w)	85 ± 3
Weight (g)	53
Operating Temperature ($^{\circ}\text{C}$)	$-10 \sim +40$



YD50-3B

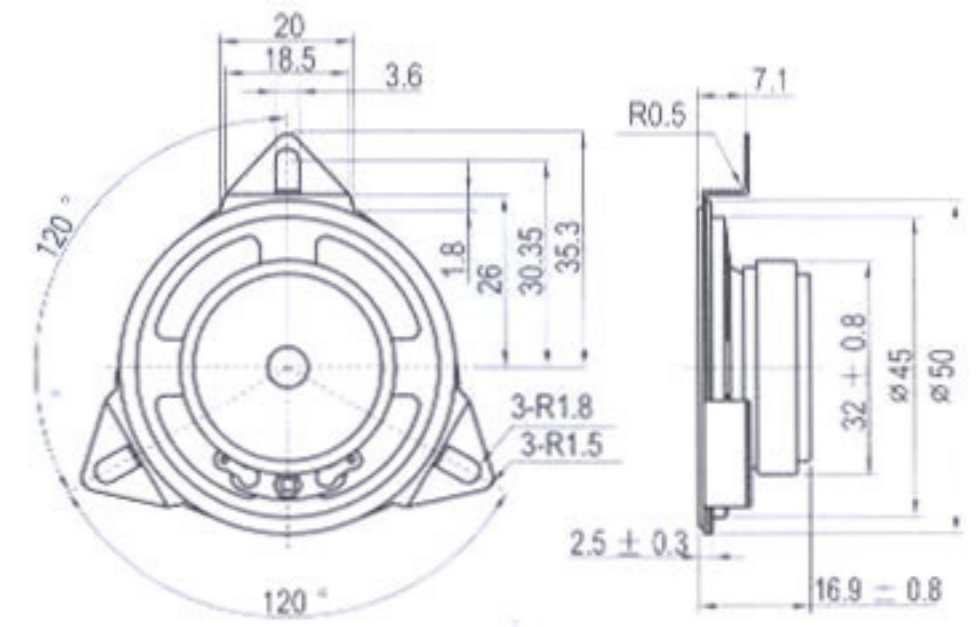
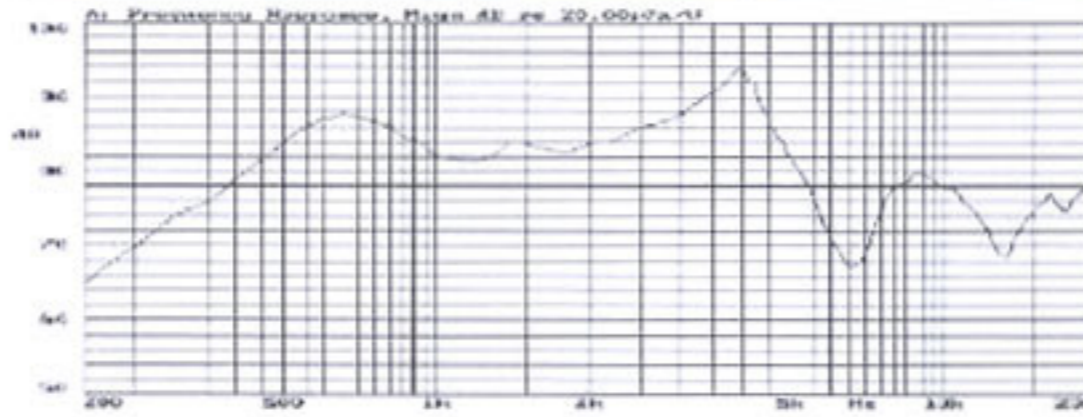
Rated Impedance (Ω)	$16 \pm 15\%$
Rated (Max) Power (W)	0.2 (0.4)
Resonance Frequency (Hz)	$500 \pm 20\%$
Rated Freq. Range (Hz)	$f_s \sim 3400$
Sound Pressure Level (dB/1m, 1w)	84 ± 3
Weight (g)	53
Operating Temperature ($^{\circ}\text{C}$)	$-10 \sim +40$





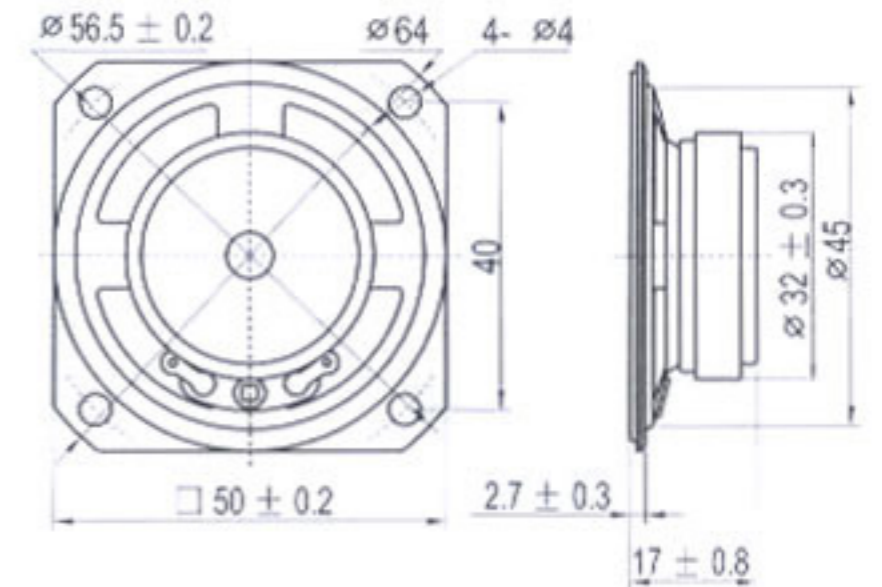
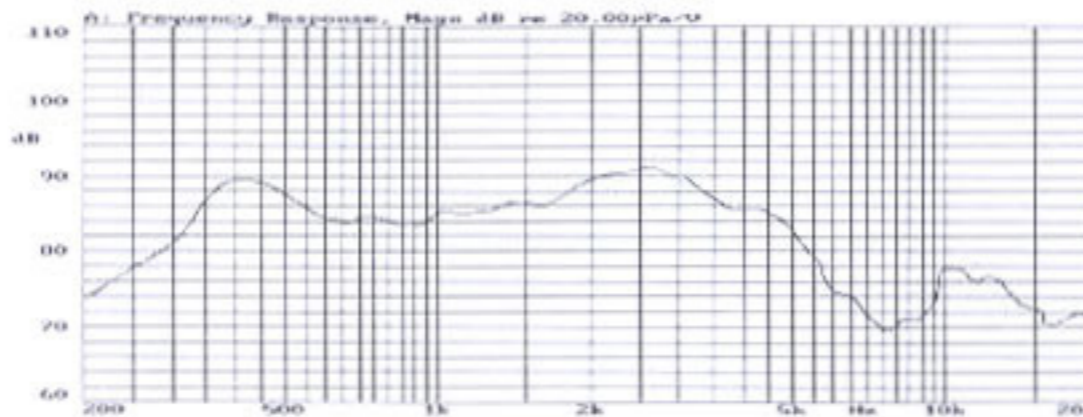
YD50-4

Rated Impedance (Ω)	32 ± 15%
Rated (Max) Power (W)	0.4 (0.6)
Resonance Frequency (Hz)	370 ± 20%
Rated Freq. Range (Hz)	f.~4000
Sound Pressure Level (dB/1m, 1w)	86 ± 3
Weight (g)	54
Operating Temperature (°C)	-10~+40



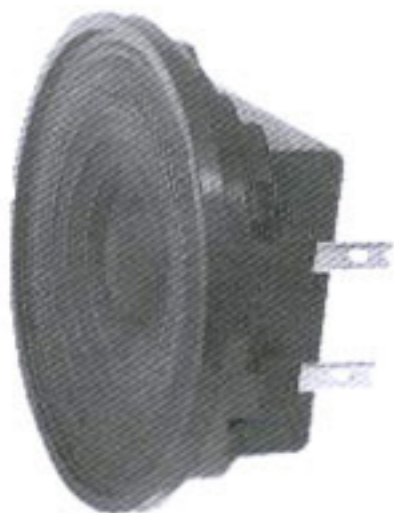
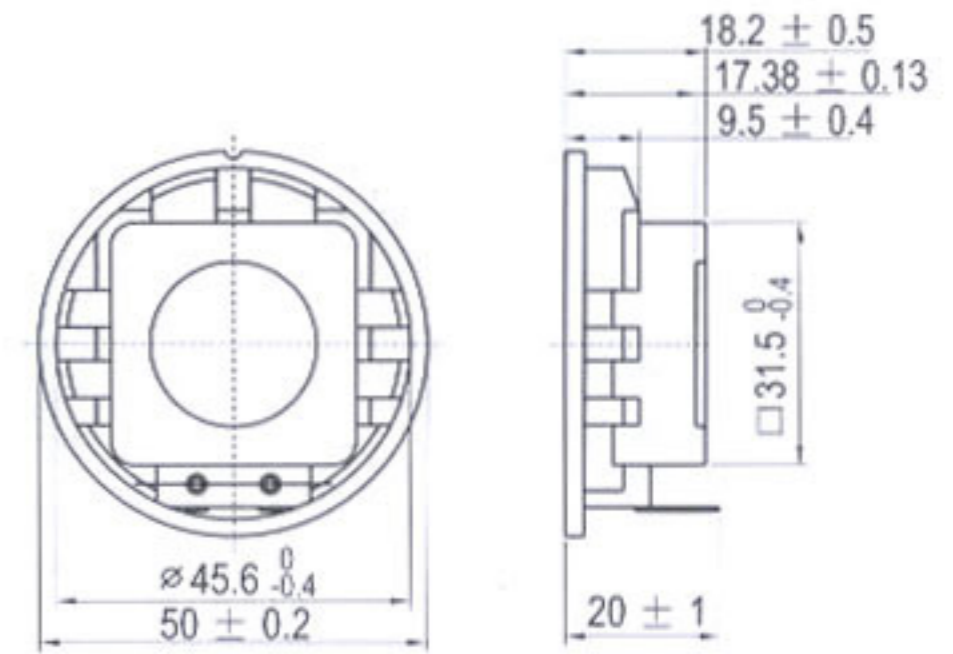
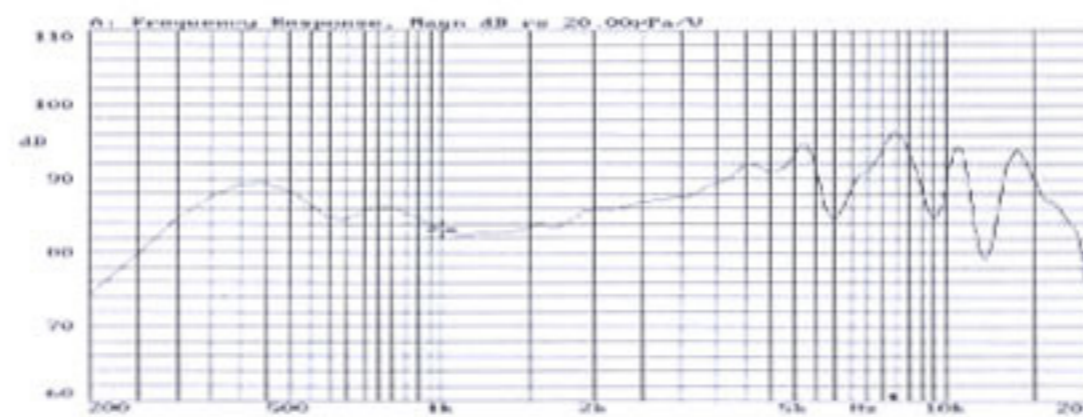
YD50-6A

Rated Impedance (Ω)	8 ± 15%
Rated (Max) Power (W)	0.2 (0.4)
Resonance Frequency (Hz)	450 ± 20%
Rated Freq. Range (Hz)	f.~4500
Sound Pressure Level (dB/1m, 1w)	85 ± 3
Weight (g)	53
Operating Temperature (°C)	-10~+40



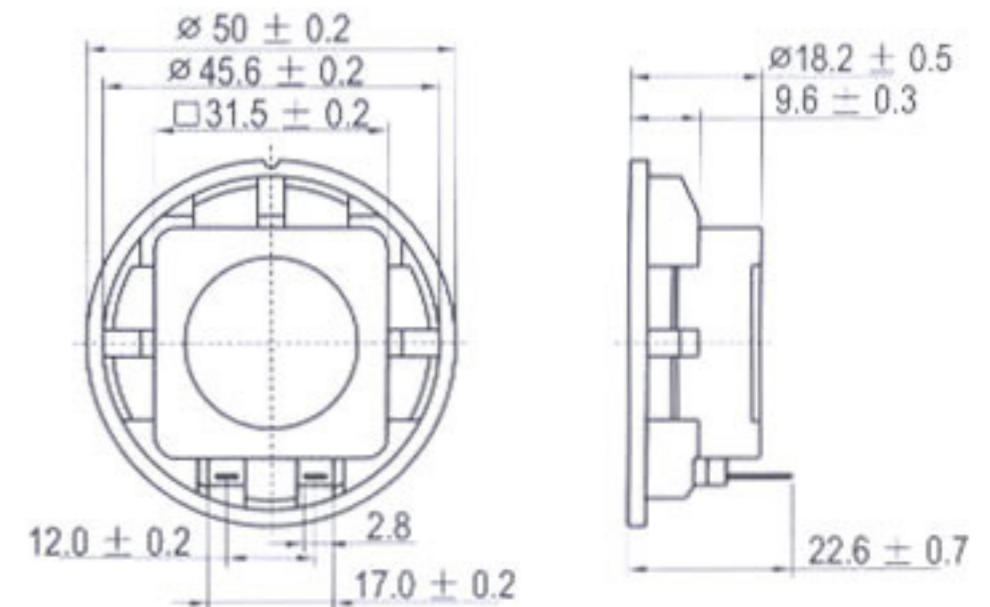
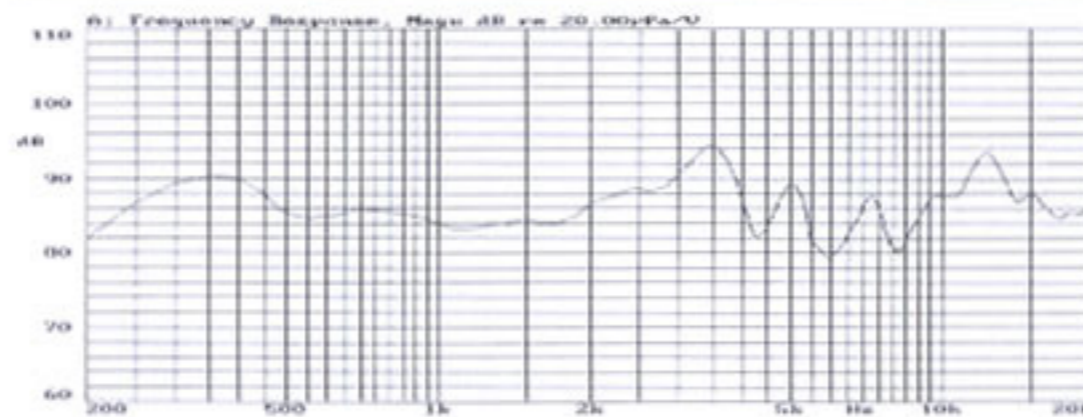
YD50-7

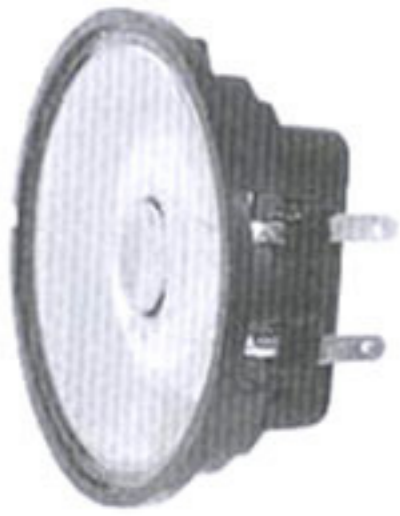
Rated Impedance (Ω)	8 ± 15%
Rated (Max) Power (W)	0.5 (1)
Resonance Frequency (Hz)	360 - ₈₀ ⁰
Rated Freq. Range (Hz)	f.~3400
Sound Pressure Level (dB/1m, 1w)	≥ 83
Weight (g)	48
Operating Temperature (°C)	-10~+40



YD50-7H

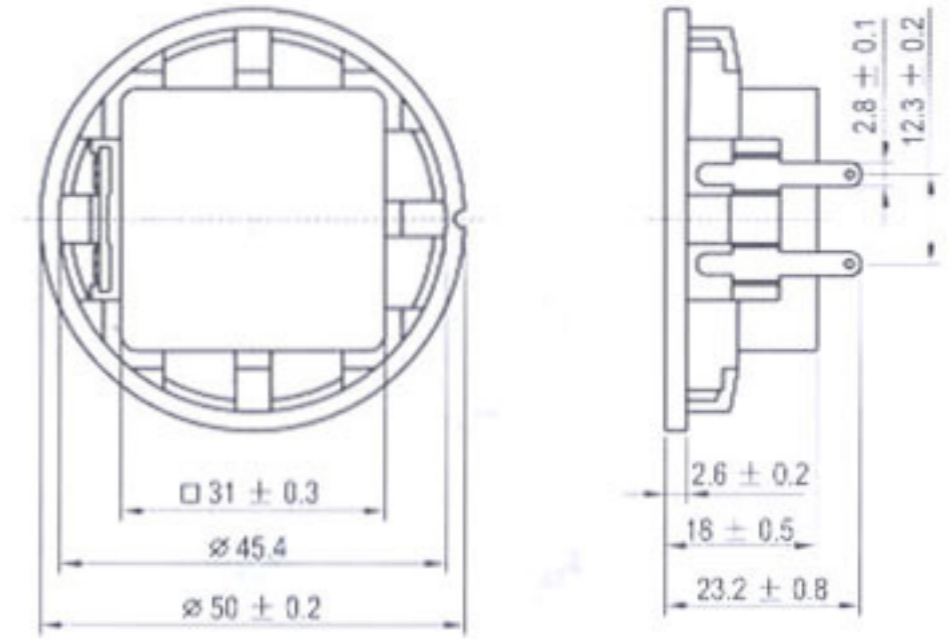
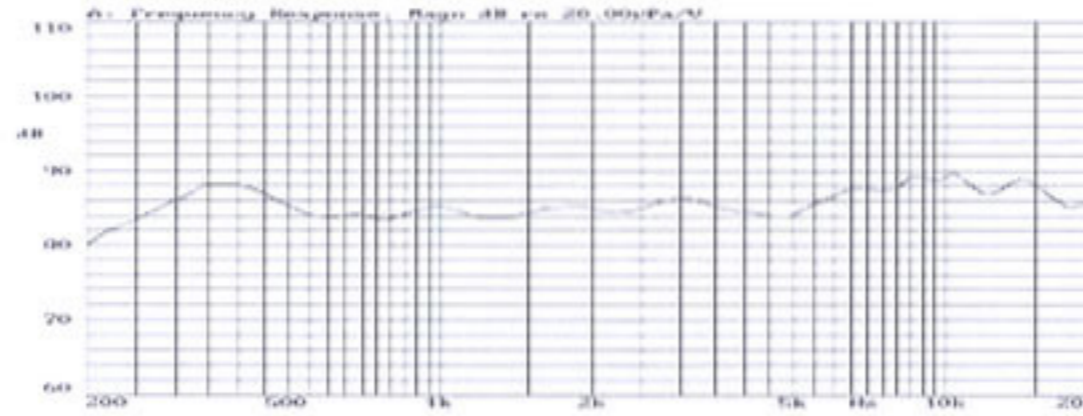
Rated Impedance (Ω)	8 ± 15%
Rated (Max) Power (W)	0.5 (1)
Resonance Frequency (Hz)	380 ± 80
Rated Freq. Range (Hz)	f.~3400
Sound Pressure Level (dB/1m, 1w)	≥ 83
Weight (g)	47
Operating Temperature (°C)	-10~+40





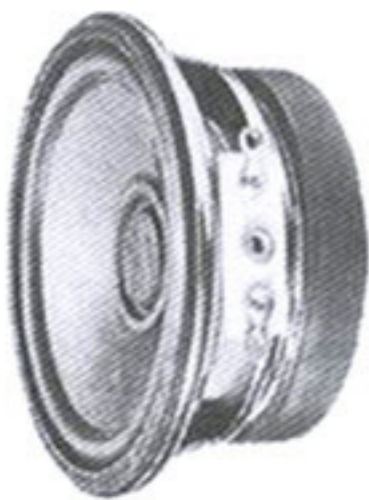
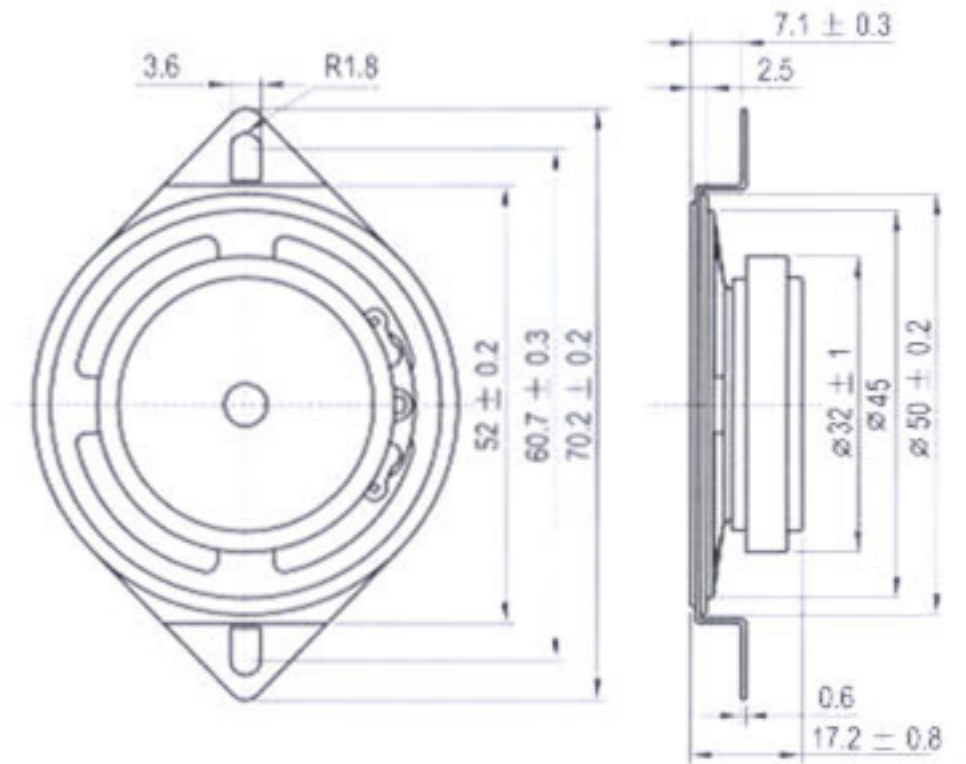
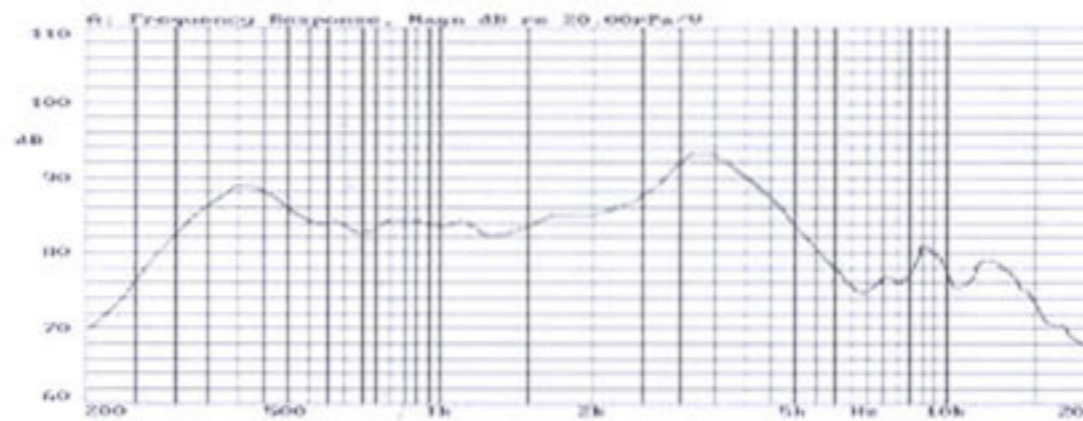
YD50-7D

Rated Impedance (Ω)	25 \pm 15%
Rated (Max) Power (W)	0.3 (0.6)
Resonance Frequency (Hz)	360 \pm 80
Rated Freq. Range (Hz)	f.~10000
Sound Pressure Level (dB/1m, 1w)	\geq 83
Weight (g)	47
Operating Temperature ($^{\circ}$ C)	-10~+40



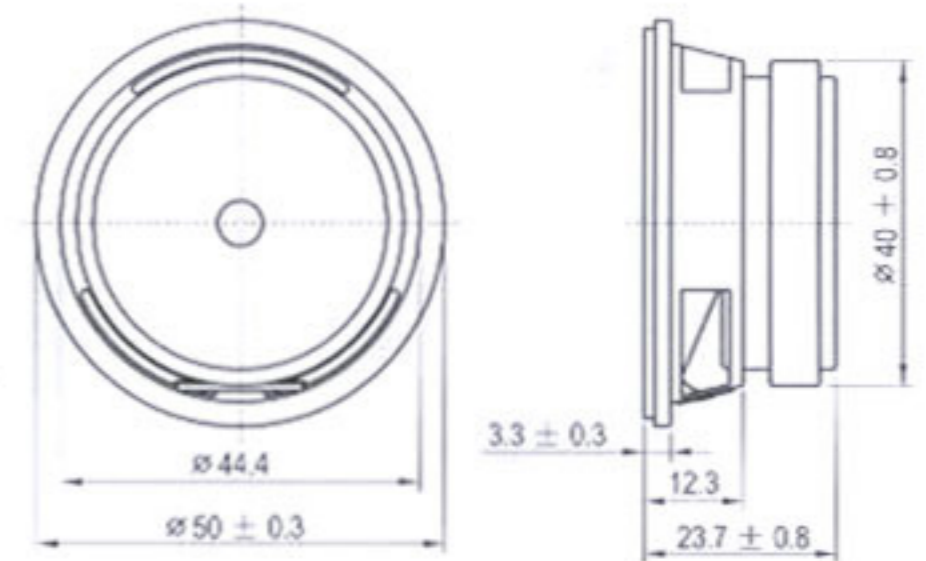
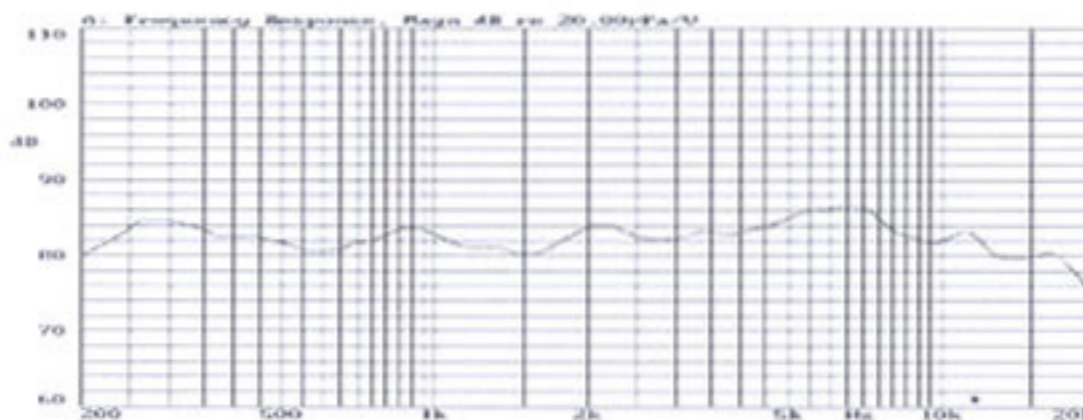
YD50-8

Rated Impedance (Ω)	32 \pm 15%
Rated (Max) Power (W)	0.3 (0.6)
Resonance Frequency (Hz)	380 \pm 20%
Rated Freq. Range (Hz)	f.~5000
Sound Pressure Level (dB/1m, 1w)	85 \pm 3
Weight (g)	53
Operating Temperature ($^{\circ}$ C)	-10~+40



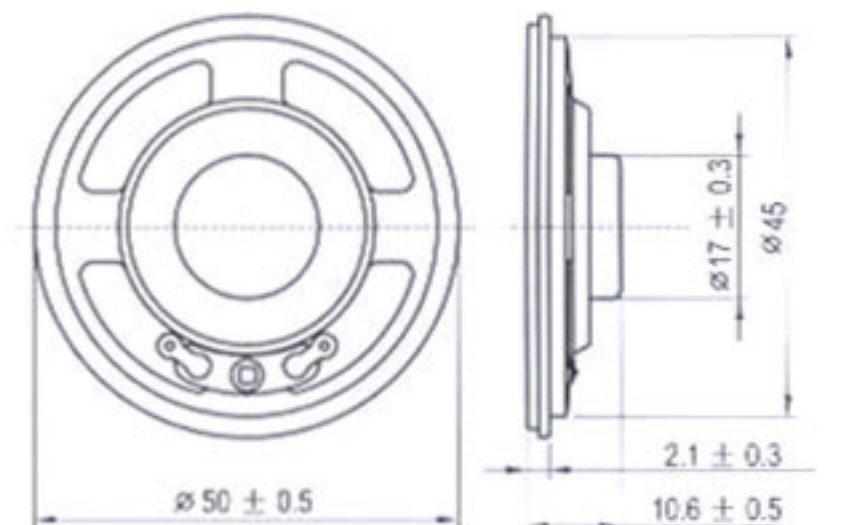
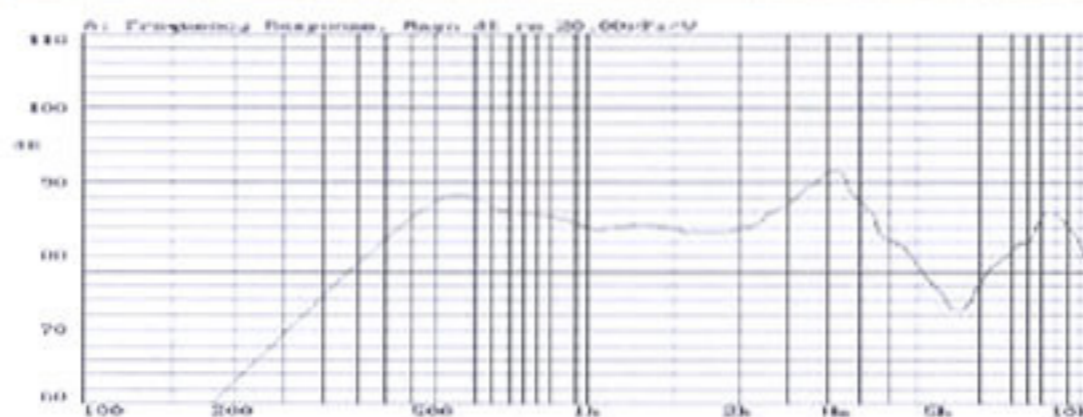
YD50-9

Rated Impedance (Ω)	8 \pm 15%
Rated (Max) Power (W)	0.5 (1)
Resonance Frequency (Hz)	270 \pm 20%
Rated Freq. Range (Hz)	f.~5000
Sound Pressure Level (dB/1m, 1w)	82 \pm 3
Weight (g)	80
Operating Temperature ($^{\circ}$ C)	-10~+40



YD50-10B

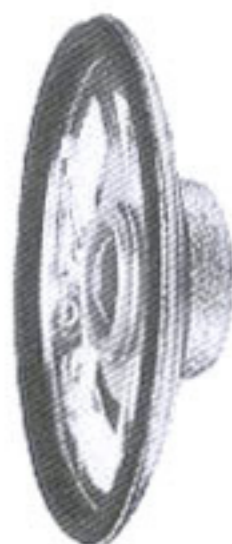
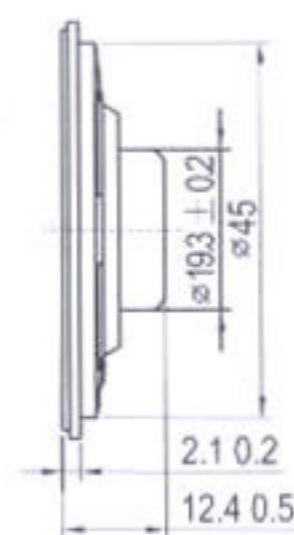
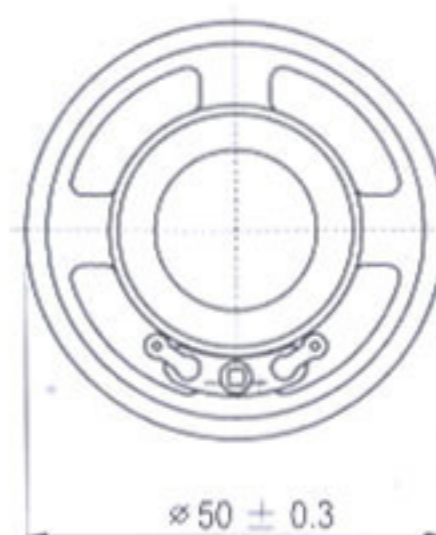
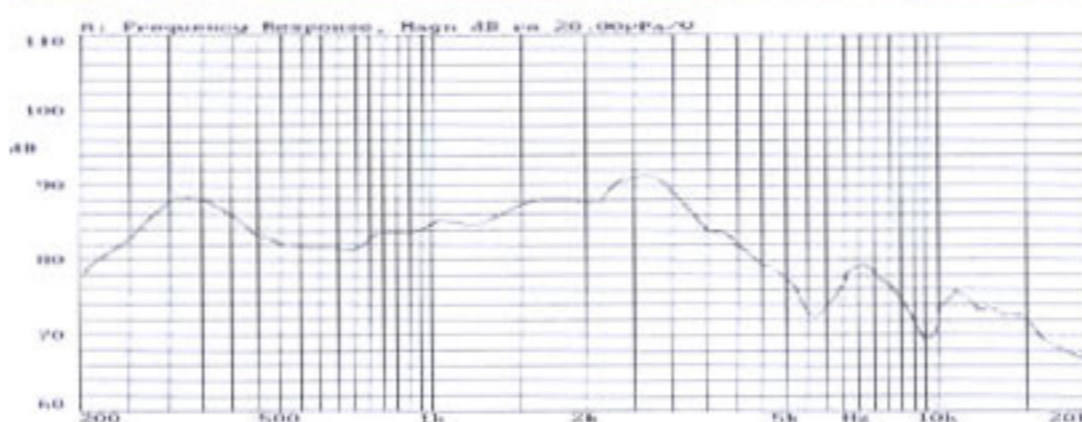
Rated Impedance (Ω)	8 \pm 15%
Rated (Max) Power (W)	0.25 (0.5)
Resonance Frequency (Hz)	500 \pm 20%
Rated Freq. Range (Hz)	f.~4000
Sound Pressure Level (dB/1m, 1w)	84 \pm 3
Weight (g)	13
Operating Temperature ($^{\circ}$ C)	-10~+40





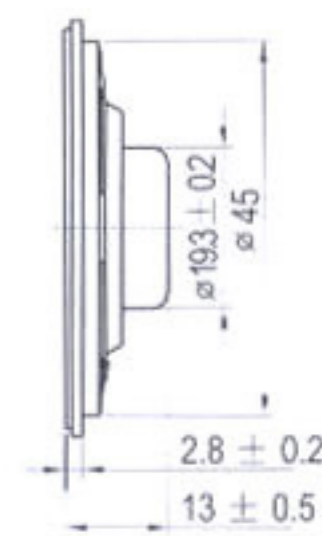
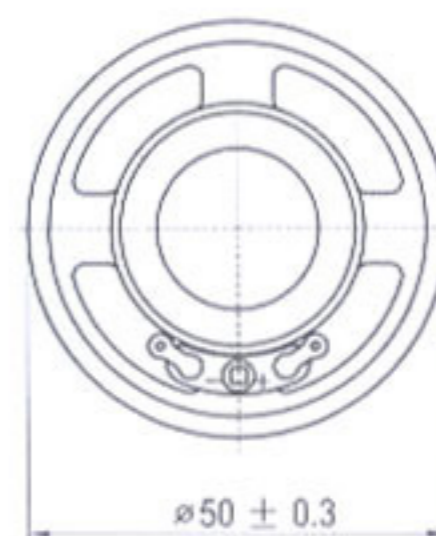
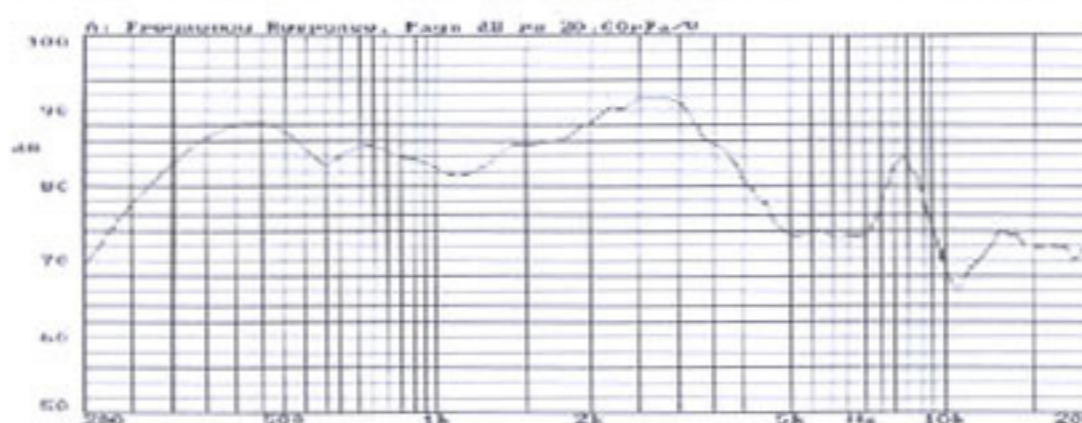
YD50-11

Rated Impedance (Ω)	50 \pm 15%
Rated (Max) Power (W)	0.25 (0.4)
Resonance Frequency (Hz)	400 \pm 20%
Rated Freq. Range (Hz)	f _s ~ 3500
Sound Pressure Level (dB/1m, 1w)	85 \pm 3
Weight (g)	19
Operating Temperature ($^{\circ}$ C)	-10 ~ +40



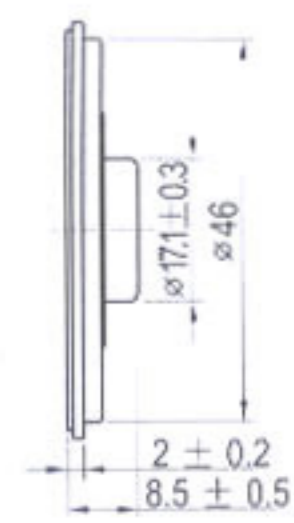
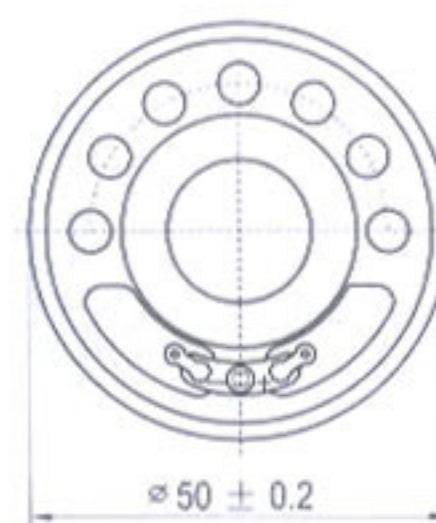
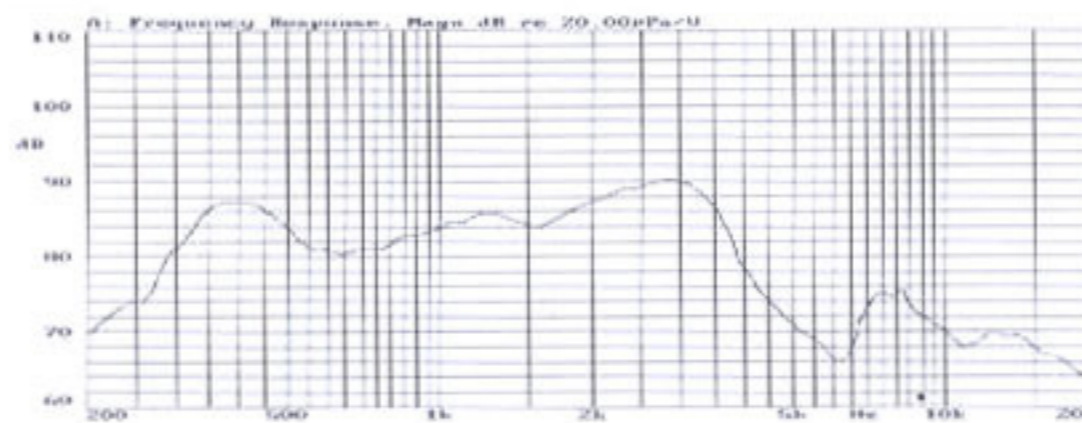
YD50-11B

Rated Impedance (Ω)	25 \pm 15%
Rated (Max) Power (W)	0.25 (0.4)
Resonance Frequency (Hz)	550 \pm 20%
Rated Freq. Range (Hz)	f _s ~ 4000
Sound Pressure Level (dB/1m, 1w)	83 \pm 3
Weight (g)	19
Operating Temperature ($^{\circ}$ C)	-10 ~ +40



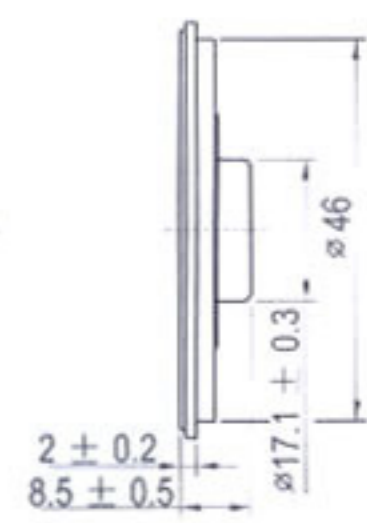
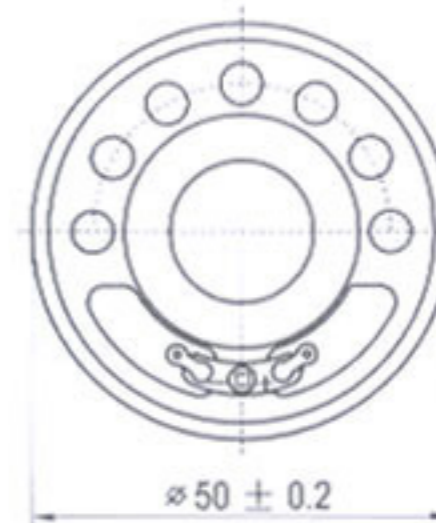
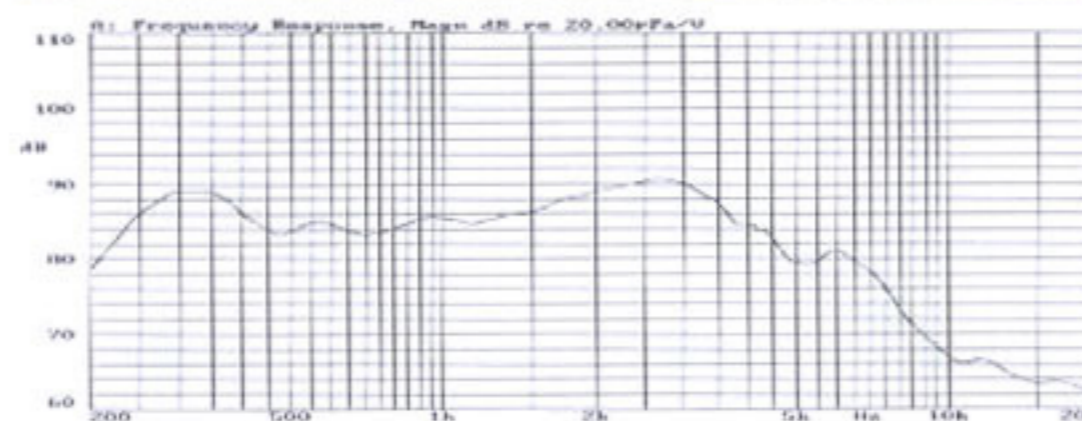
YD50-12

Rated Impedance (Ω)	50 \pm 15%
Rated (Max) Power (W)	0.3 (0.5)
Resonance Frequency (Hz)	500 \pm 20%
Rated Freq. Range (Hz)	f _s ~ 4000
Sound Pressure Level (dB/1m, 1w)	86 \pm 3
Weight (g)	13
Operating Temperature ($^{\circ}$ C)	-10 ~ +40



YD50-12B

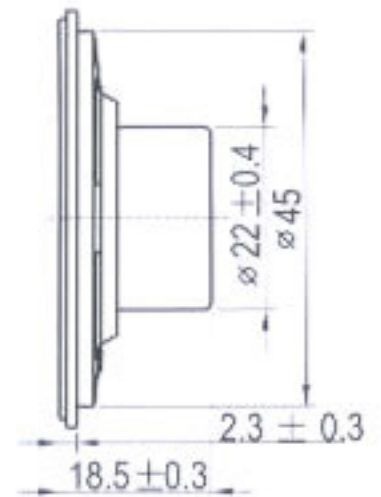
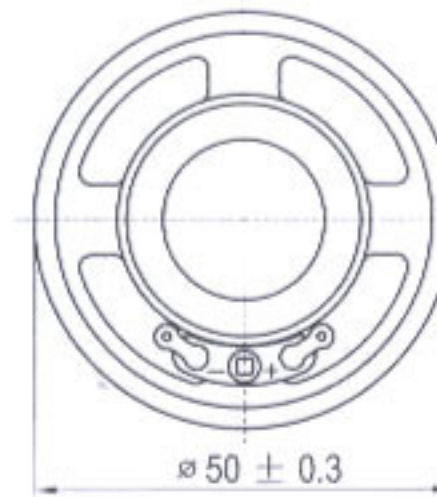
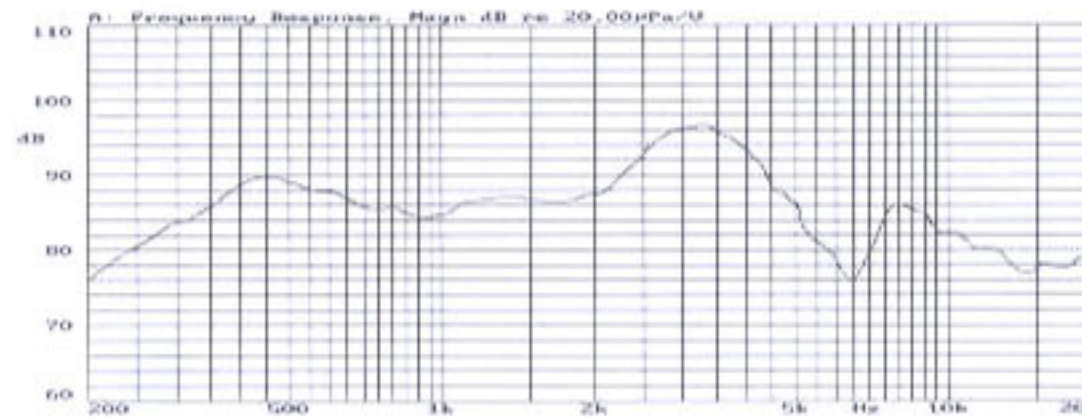
Rated Impedance (Ω)	8 \pm 15%
Rated (Max) Power (W)	0.3 (0.5)
Resonance Frequency (Hz)	450 \pm 20%
Rated Freq. Range (Hz)	f _s ~ 3000
Sound Pressure Level (dB/1m, 1w)	86 \pm 3
Weight (g)	13
Operating Temperature ($^{\circ}$ C)	-10 ~ +40





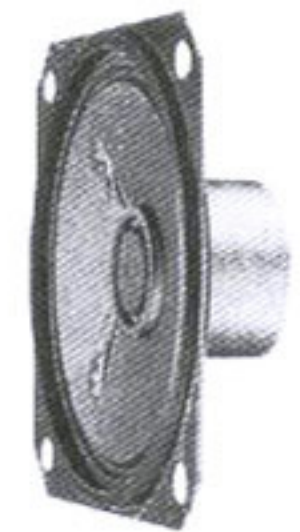
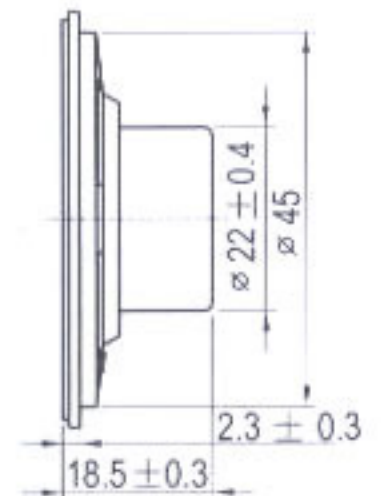
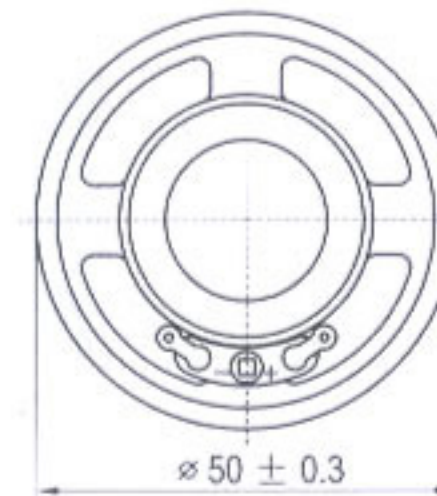
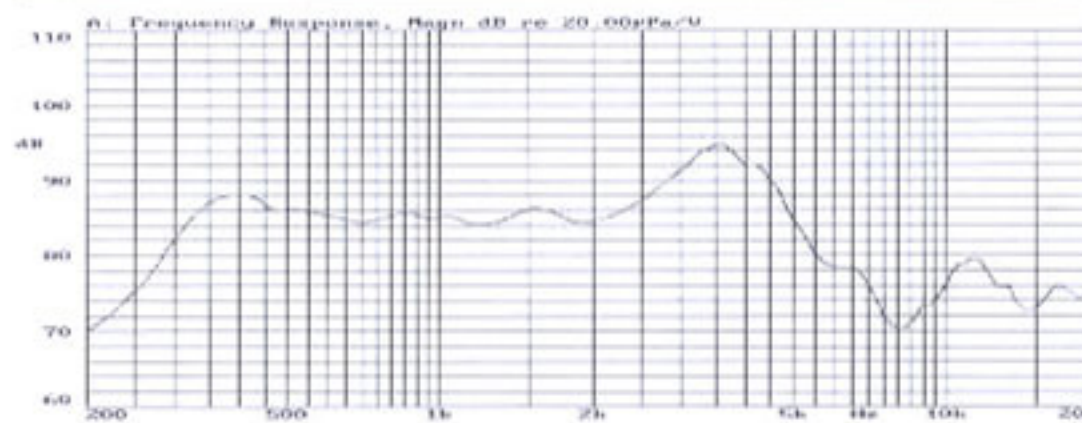
YD50-13

Rated Impedance (Ω)	$4 \pm 15\%$
Rated (Max) Power (W)	0.2 (0.4)
Resonance Frequency (Hz)	$450 \pm 20\%$
Rated Freq. Range (Hz)	$f_s \sim 4500$
Sound Pressure Level (dB/1m, 1w)	84 ± 2
Weight (g)	30
Operating Temperature ($^{\circ}\text{C}$)	$-10 \sim +40$



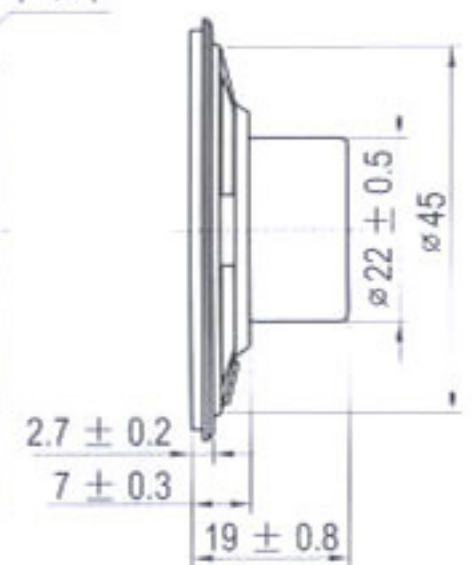
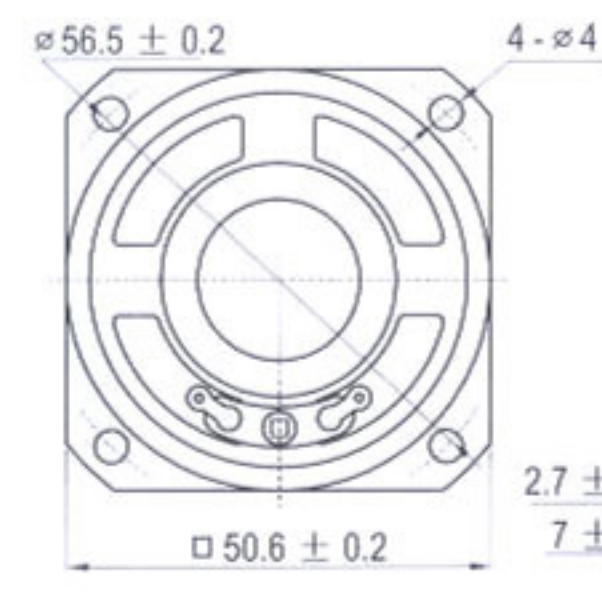
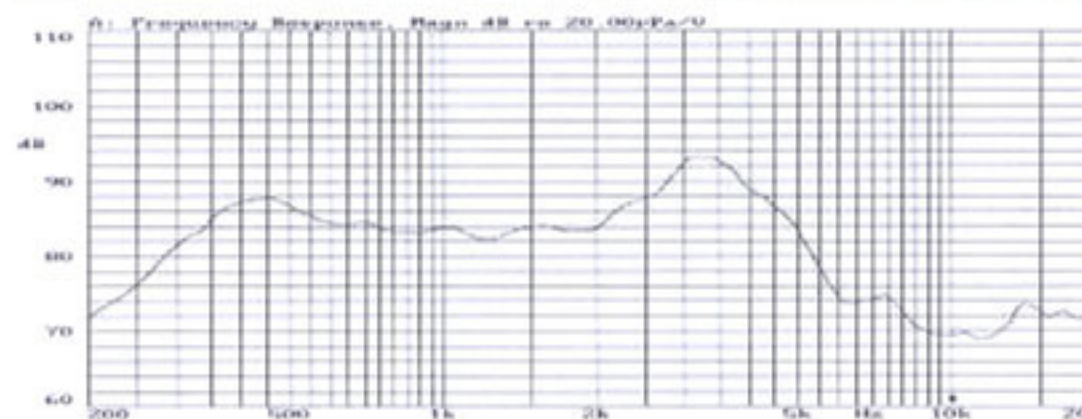
YD50-13B

Rated Impedance (Ω)	$8 \pm 15\%$
Rated (Max) Power (W)	0.2 (0.4)
Resonance Frequency (Hz)	$550 \pm 20\%$
Rated Freq. Range (Hz)	$f_s \sim 4500$
Sound Pressure Level (dB/1m, 1w)	84 ± 2
Weight (g)	30
Operating Temperature ($^{\circ}\text{C}$)	$-10 \sim +40$



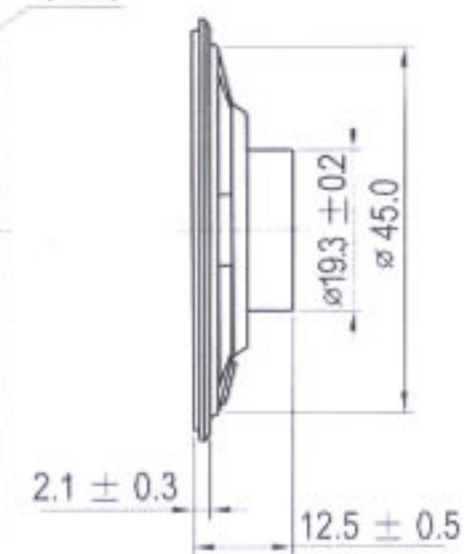
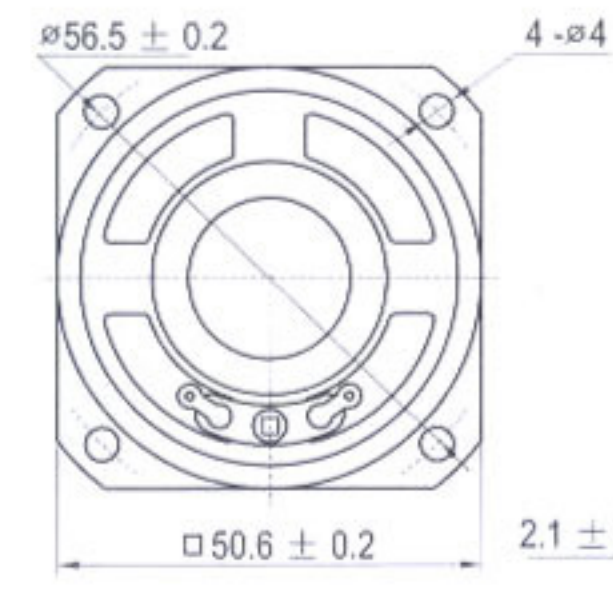
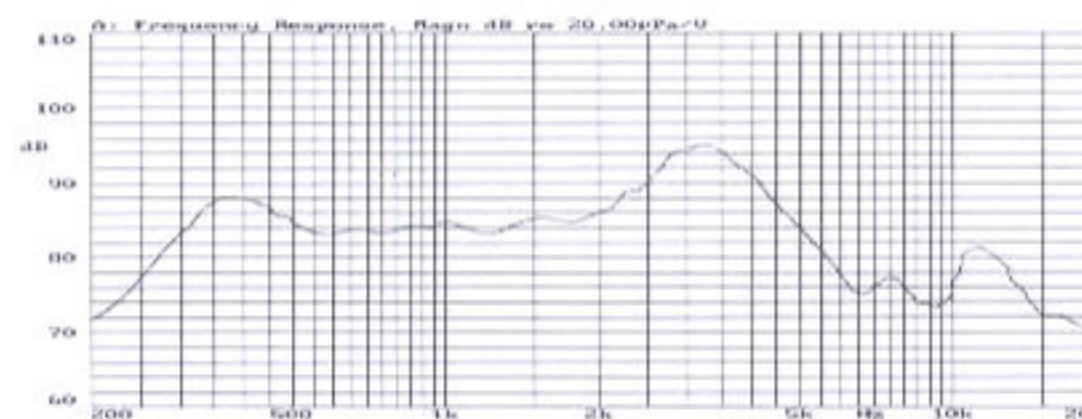
YD50-14

Rated Impedance (Ω)	$8 \pm 15\%$
Rated (Max) Power (W)	0.2 (0.4)
Resonance Frequency (Hz)	$500 \pm 20\%$
Rated Freq. Range (Hz)	$f_s \sim 4500$
Sound Pressure Level (dB/1m, 1w)	85 ± 3
Weight (g)	32
Operating Temperature ($^{\circ}\text{C}$)	$-10 \sim +40$



YD50-14A

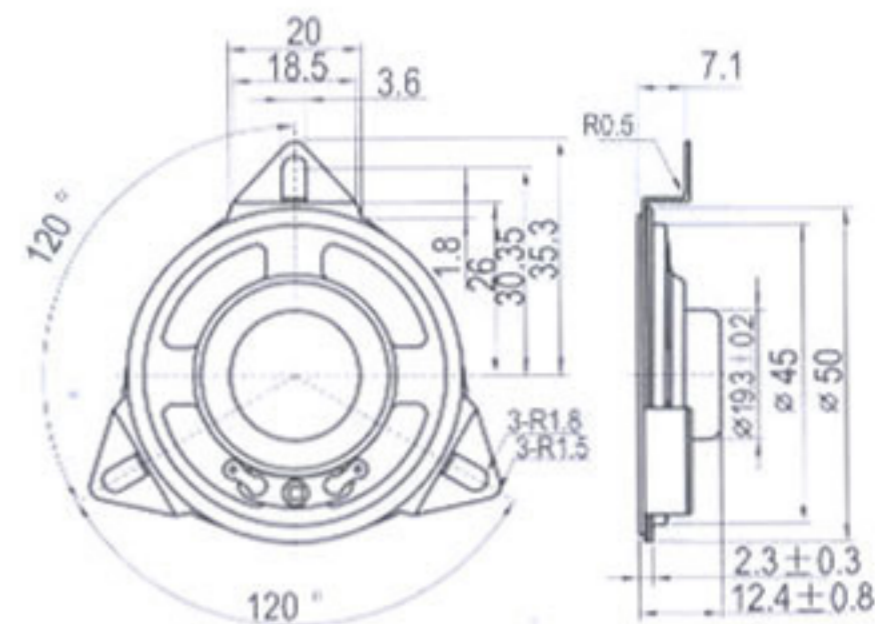
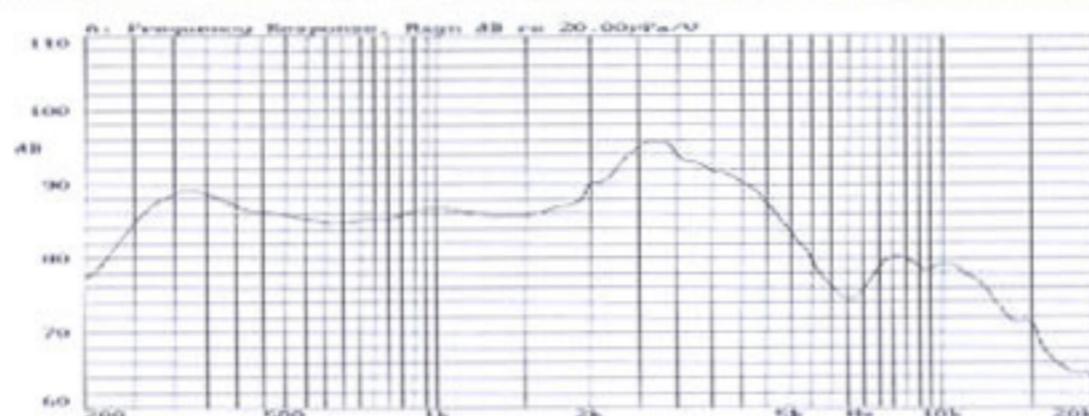
Rated Impedance (Ω)	$16 \pm 15\%$
Rated (Max) Power (W)	0.2 (0.4)
Resonance Frequency (Hz)	$500 \pm 20\%$
Rated Freq. Range (Hz)	$f_s \sim 4500$
Sound Pressure Level (dB/1m, 1w)	85 ± 3
Weight (g)	22
Operating Temperature ($^{\circ}\text{C}$)	$-10 \sim +40$





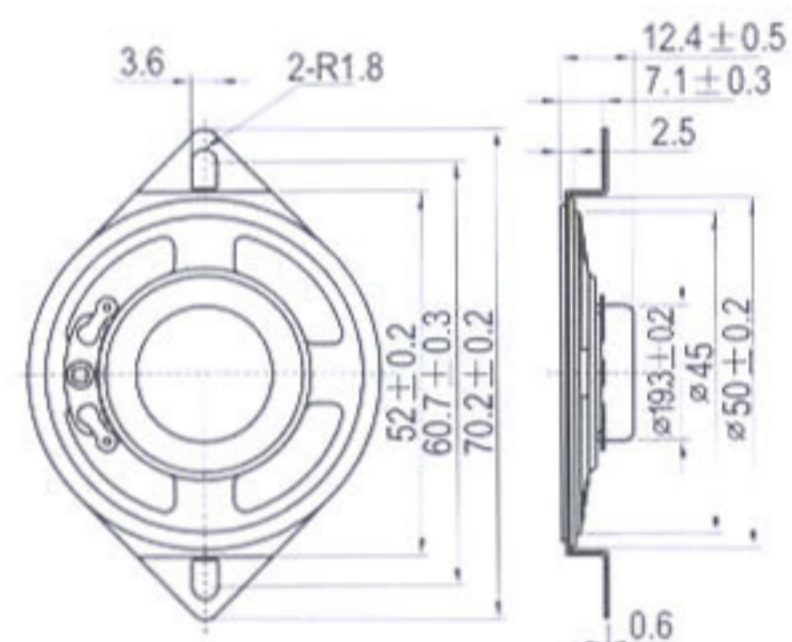
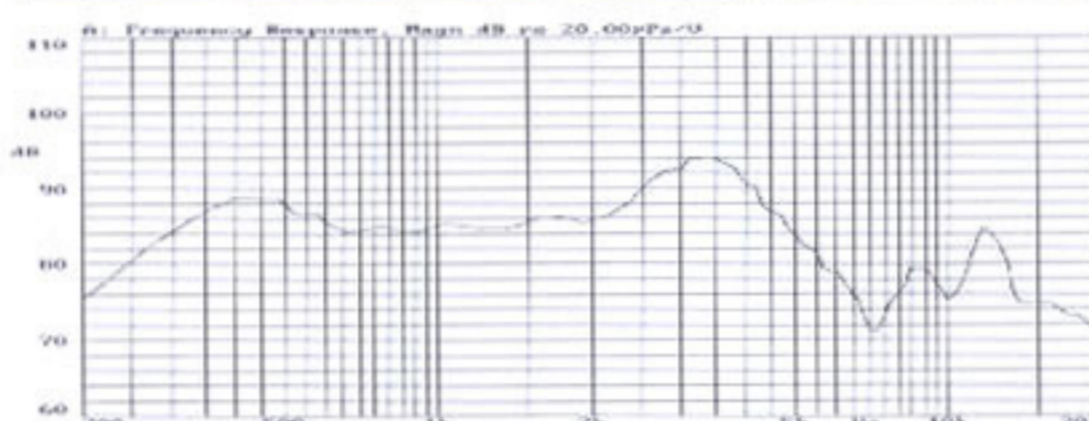
YD50-15A

Rated Impedance (Ω)	16 \pm 15%
Rated (Max) Power (W)	0.25 (0.5)
Resonance Frequency (Hz)	370 \pm 20%
Rated Freq. Range (Hz)	f _c ~4500
Sound Pressure Level (dB/1m, 1w)	85 \pm 3
Weight (g)	22
Operating Temperature (°C)	-10~+40



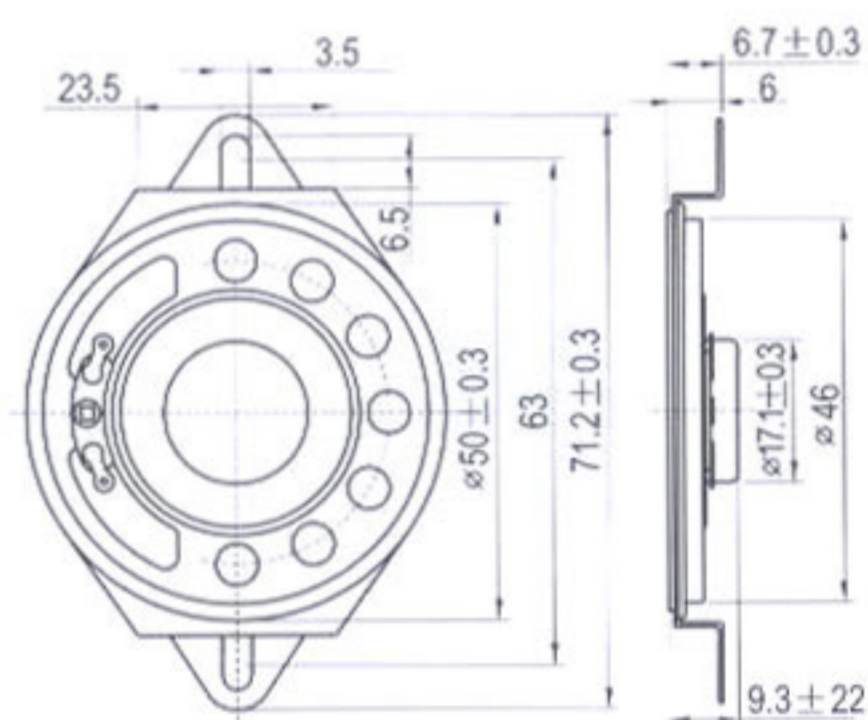
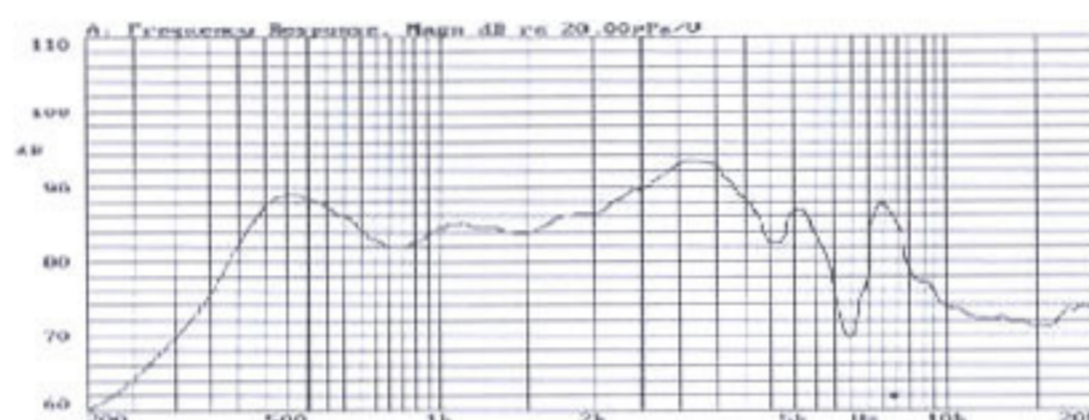
YD50-16

Rated Impedance (Ω)	8 \pm 15%
Rated (Max) Power (W)	0.25 (0.5)
Resonance Frequency (Hz)	380 \pm 80
Rated Freq. Range (Hz)	f _c ~4500
Sound Pressure Level (dB/1m, 1w)	85 \pm 3
Weight (g)	22
Operating Temperature (°C)	-10~+40



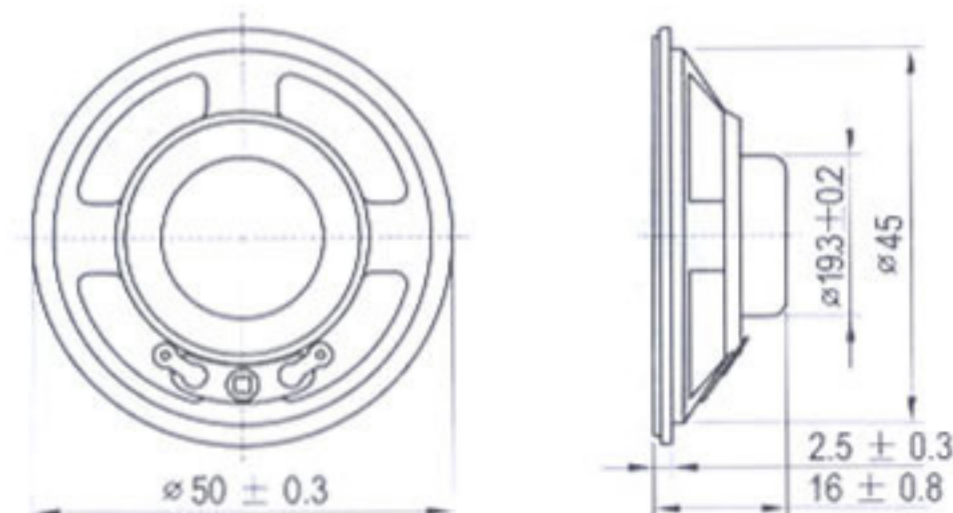
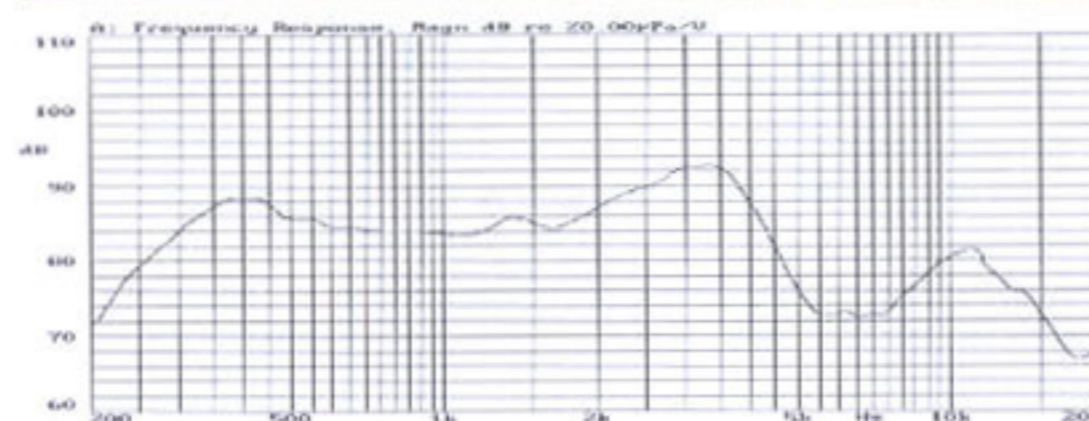
YD50-18

Rated Impedance (Ω)	32 \pm 15%
Rated (Max) Power (W)	0.3 (0.6)
Resonance Frequency (Hz)	350 \pm 20%
Rated Freq. Range (Hz)	f _c ~4000
Sound Pressure Level (dB/1m, 1w)	83 \pm 3
Weight (g)	17
Operating Temperature (°C)	-10~+40



YD50-20

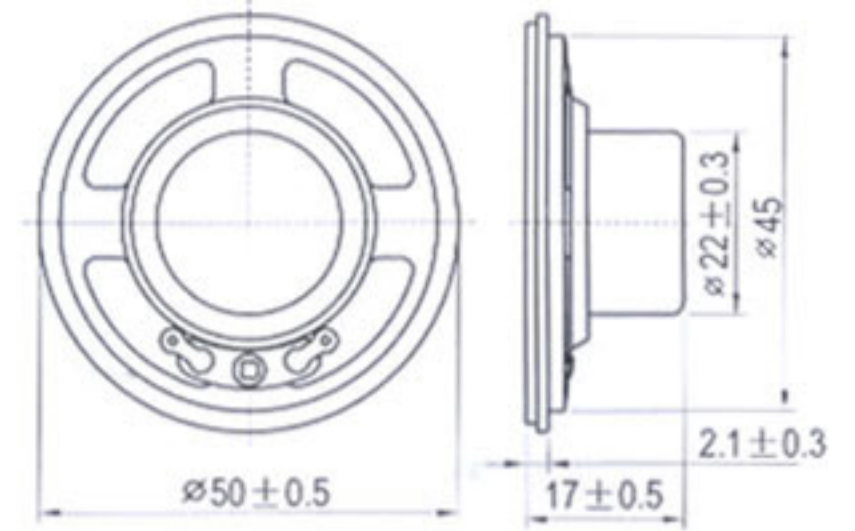
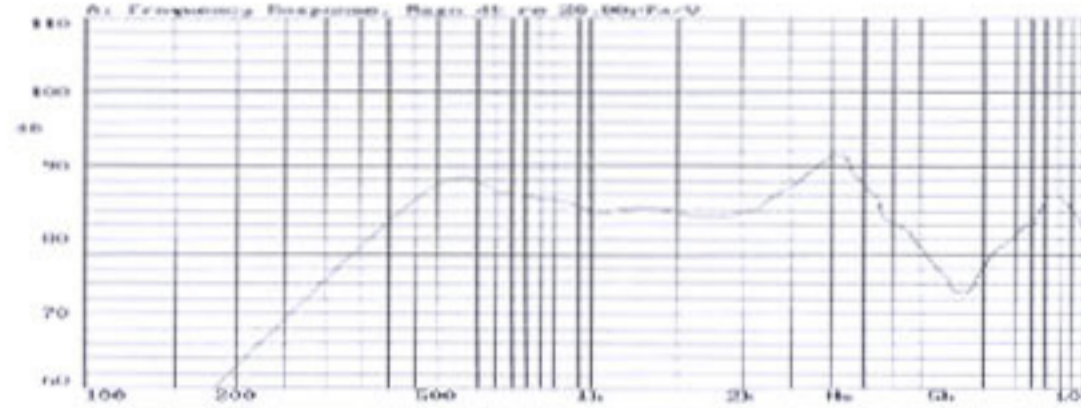
Rated Impedance (Ω)	8 \pm 15%
Rated (Max) Power (W)	0.5 (1)
Resonance Frequency (Hz)	380 \pm 20%
Rated Freq. Range (Hz)	f _c ~4000
Sound Pressure Level (dB/1m, 1w)	85 \pm 3
Weight (g)	22
Operating Temperature (°C)	-10~+40





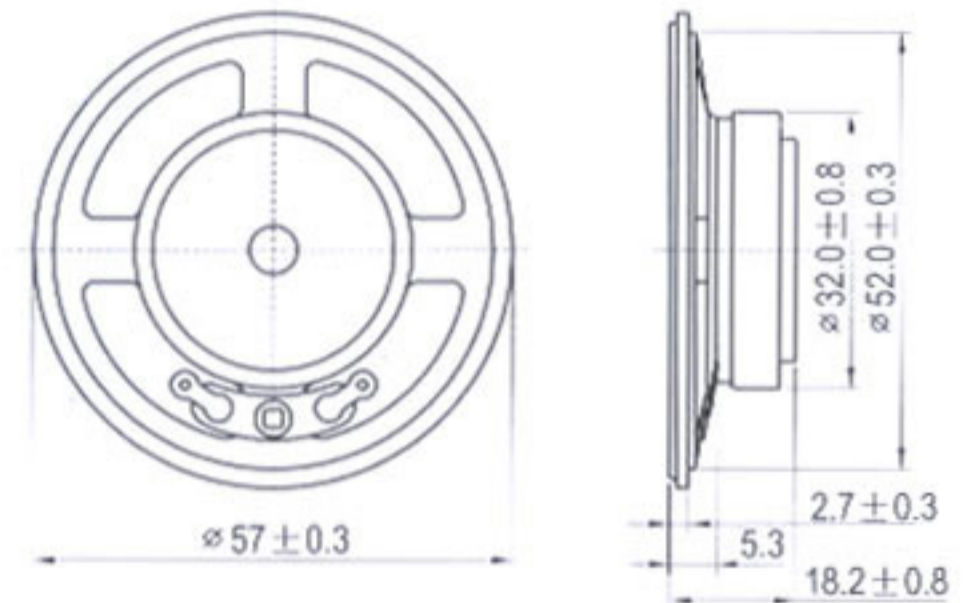
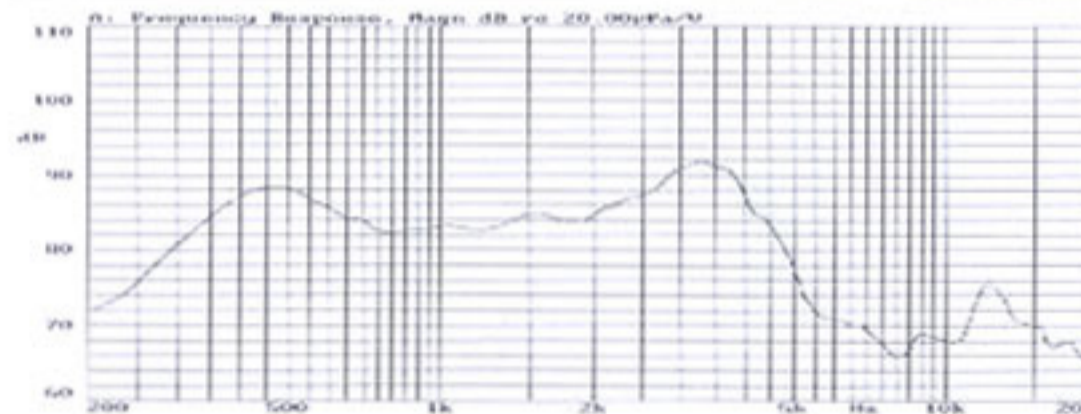
YD50-23B

Rated Impedance (Ω)	32 \pm 15%
Rated (Max) Power (W)	0.25 (0.5)
Resonance Frequency (Hz)	500 \pm 20%
Rated Freq. Range (Hz)	f. \sim 4000
Sound Pressure Level (dB/1m, 1w)	84 \pm 3
Weight (g)	29
Operating Temperature ($^{\circ}$ C)	-10 \sim +40



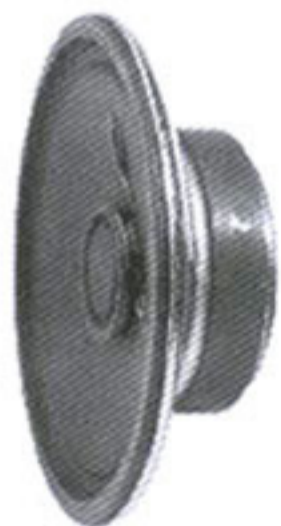
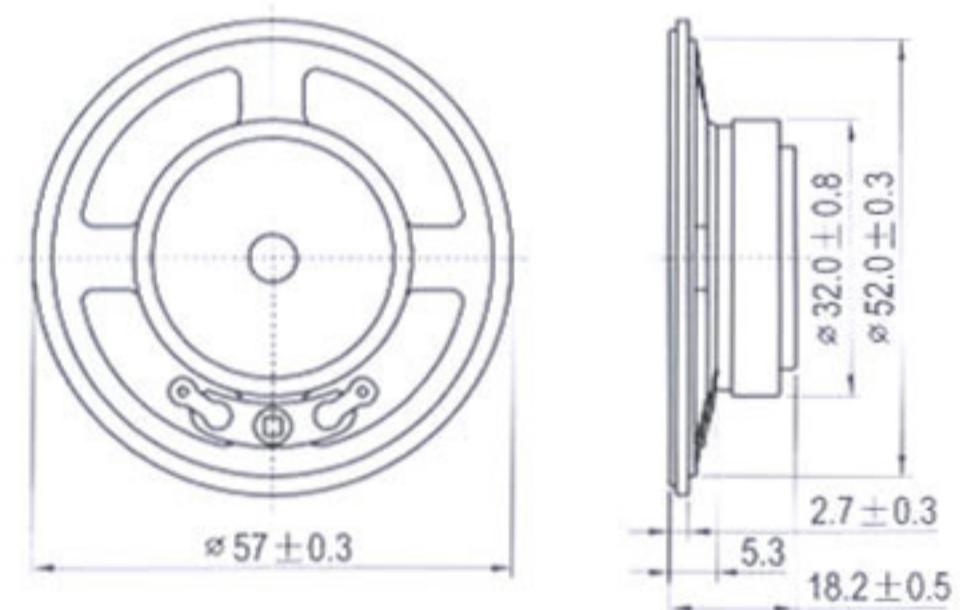
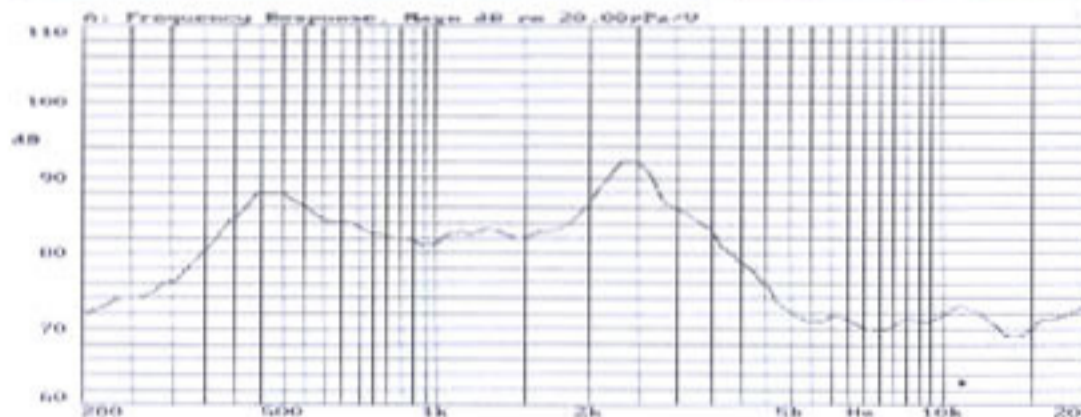
YD58-1

Rated Impedance (Ω)	8 \pm 15%
Rated (Max) Power (W)	0.3 (0.6)
Resonance Frequency (Hz)	450 \pm 20%
Rated Freq. Range (Hz)	f. \sim 3500
Sound Pressure Level (dB/1m, 1w)	85 \pm 3
Weight (g)	54
Operating Temperature ($^{\circ}$ C)	-10 \sim +40



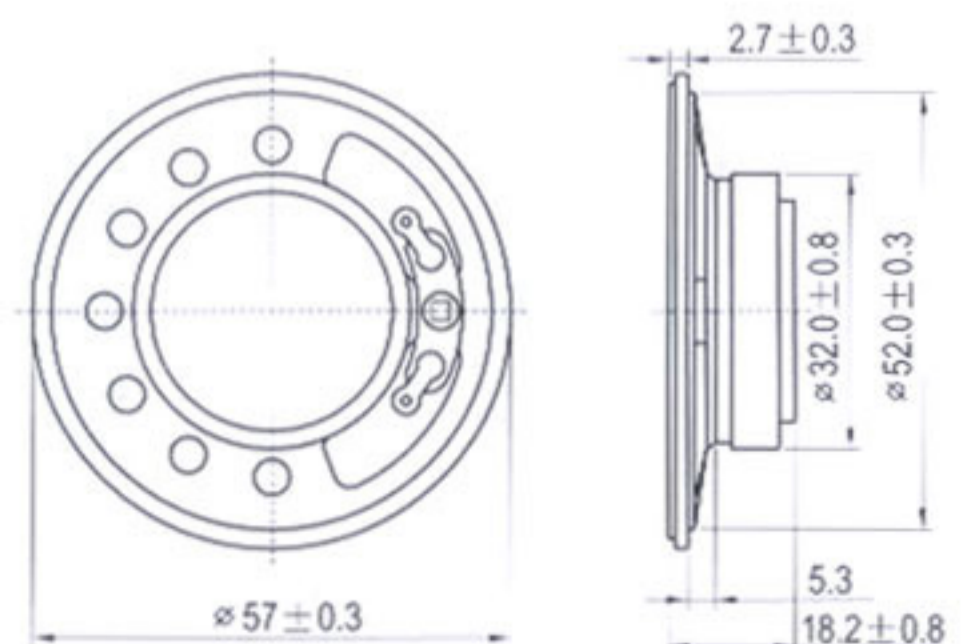
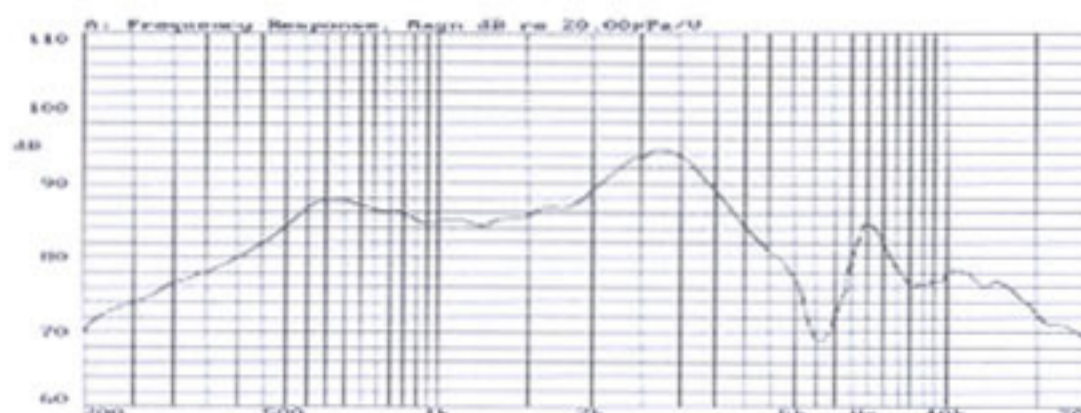
YD58-1B

Rated Impedance (Ω)	25 \pm 15%
Rated (Max) Power (W)	0.3 (0.6)
Resonance Frequency (Hz)	500 \pm 20%
Rated Freq. Range (Hz)	f. \sim 3500
Sound Pressure Level (dB/1m, 1w)	85 \pm 3
Weight (g)	28
Operating Temperature ($^{\circ}$ C)	-10 \sim +40



YD58-1A

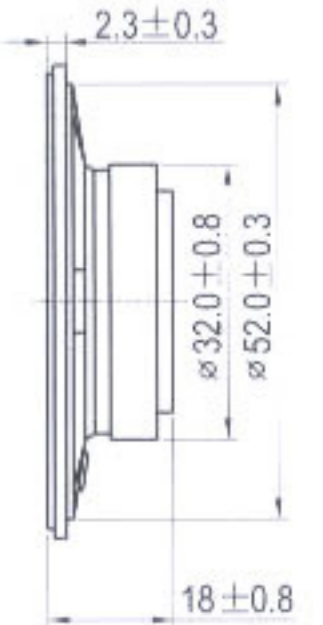
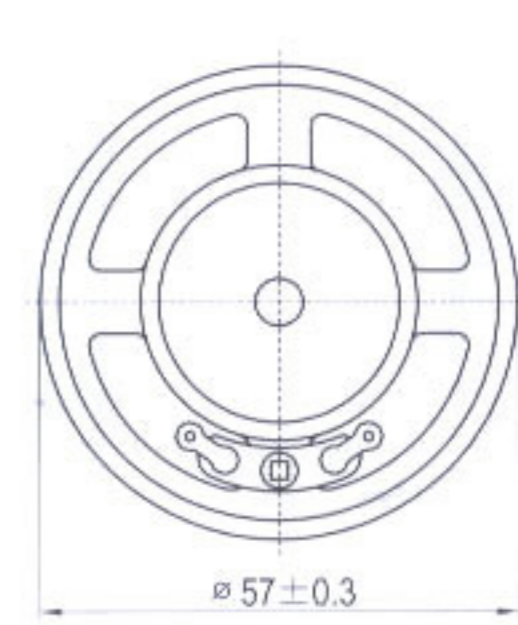
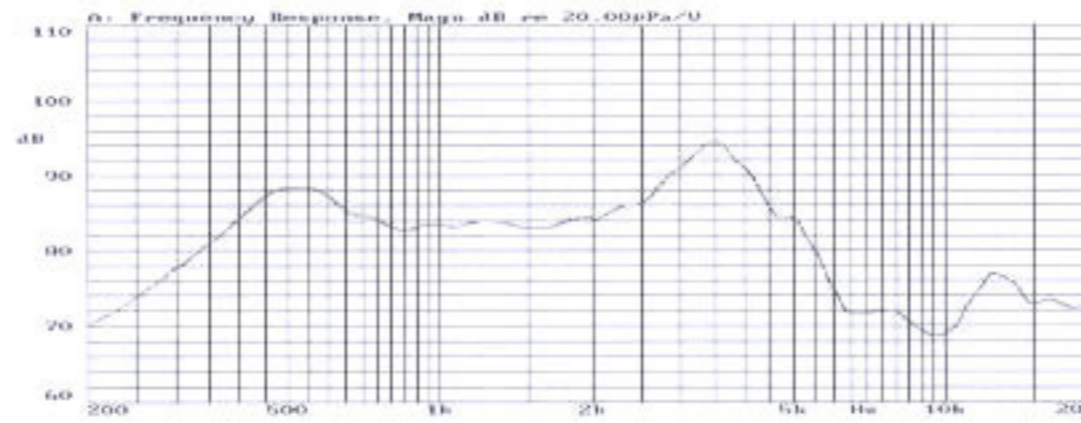
Rated Impedance (Ω)	25 \pm 15%
Rated (Max) Power (W)	0.3 (0.6)
Resonance Frequency (Hz)	450 \pm 20%
Rated Freq. Range (Hz)	f. \sim 3500
Sound Pressure Level (dB/1m, 1w)	85 \pm 3
Weight (g)	55
Operating Temperature ($^{\circ}$ C)	-10 \sim +40





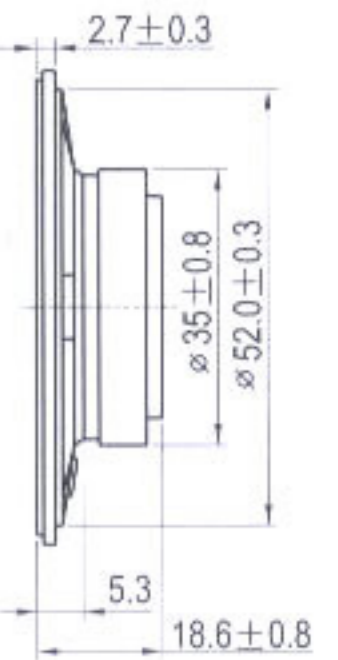
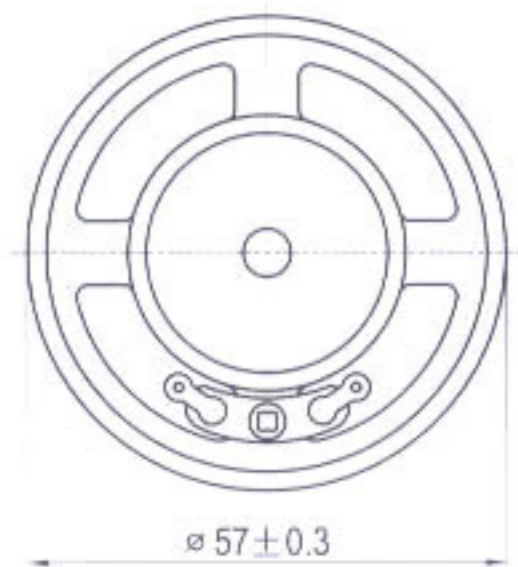
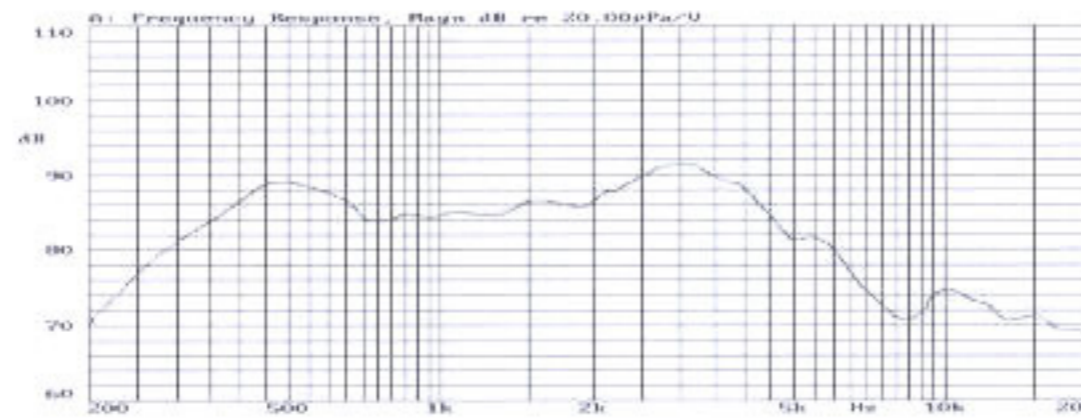
YD58-2

Rated Impedance (Ω)	8 \pm 15%
Rated (Max) Power (W)	0.3 (0.6)
Resonance Frequency (Hz)	450 \pm 20%
Rated Freq. Range (Hz)	f _s ~4000
Sound Pressure Level (dB/1m, 1w)	85 \pm 3
Weight (g)	54
Operating Temperature ($^{\circ}$ C)	-10~+40



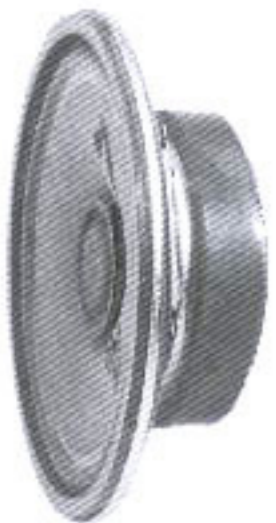
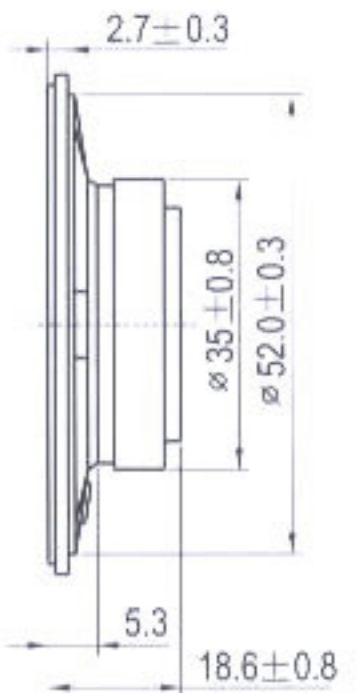
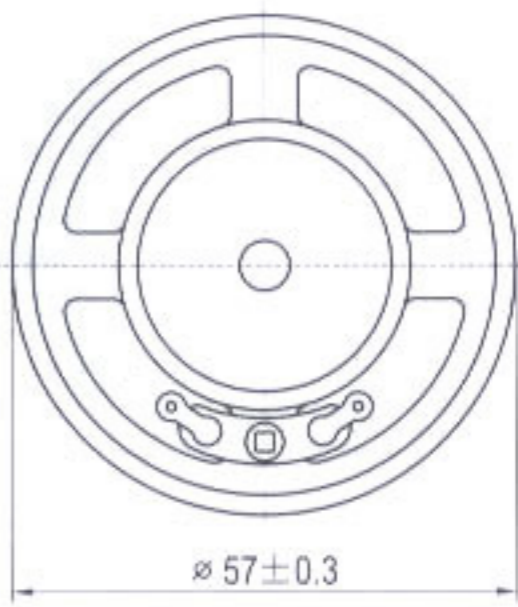
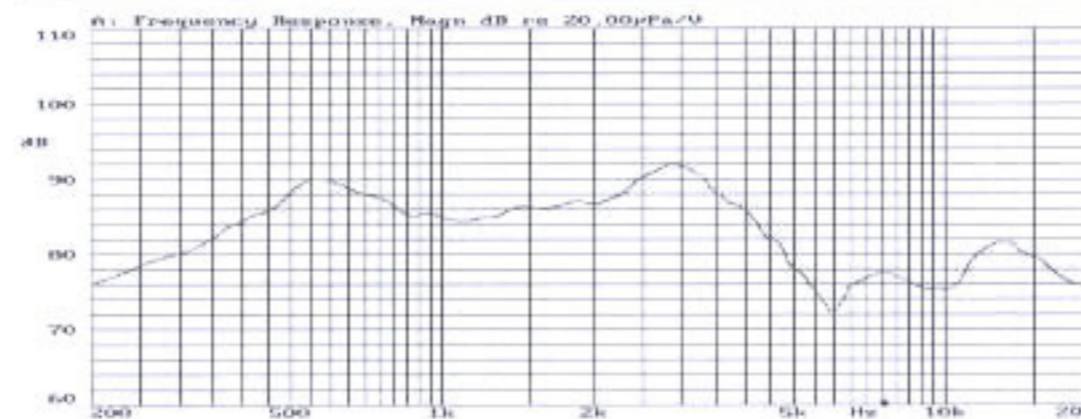
YD58-3

Rated Impedance (Ω)	8 \pm 15%
Rated (Max) Power (W)	0.3 (0.5)
Resonance Frequency (Hz)	400 \pm 20%
Rated Freq. Range (Hz)	f _s ~3400
Sound Pressure Level (dB/1m, 1w)	85 \pm 3
Weight (g)	59
Operating Temperature ($^{\circ}$ C)	-10~+40



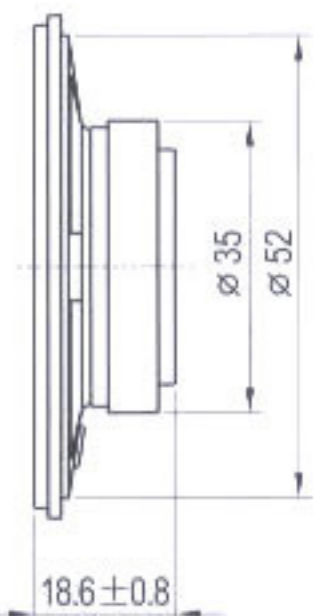
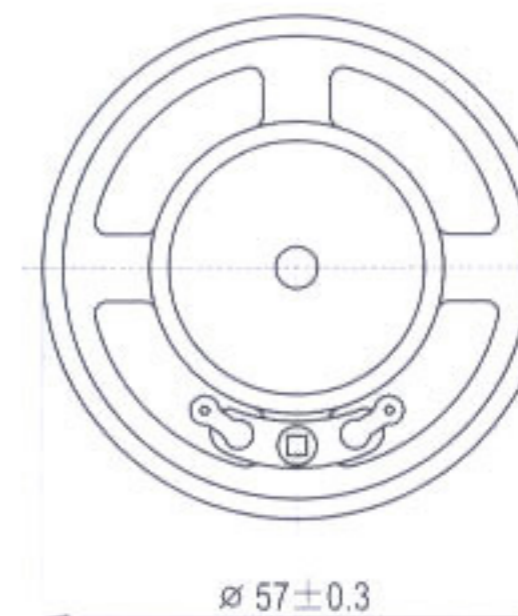
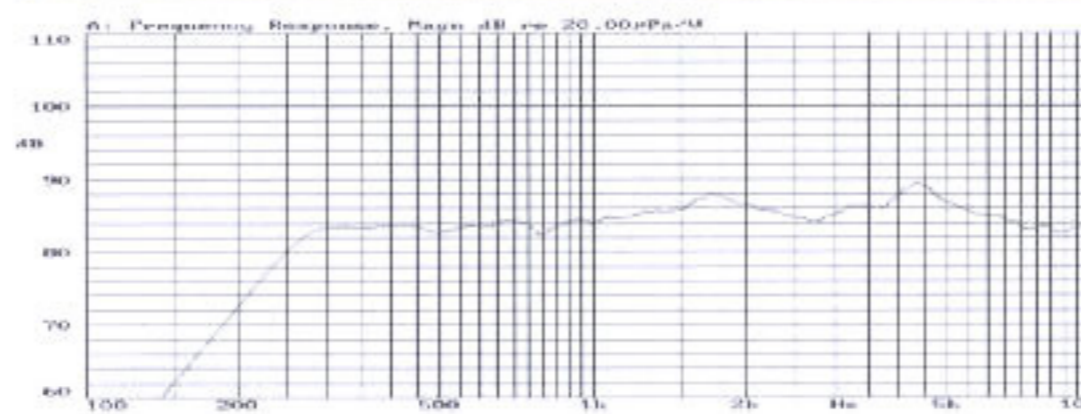
YD58-3B

Rated Impedance (Ω)	50 \pm 15%
Rated (Max) Power (W)	0.3 (0.5)
Resonance Frequency (Hz)	500 \pm 20%
Rated Freq. Range (Hz)	f _s ~3400
Sound Pressure Level (dB/1m, 1w)	87 \pm 3
Weight (g)	59
Operating Temperature ($^{\circ}$ C)	-10~+40



YD58-3D

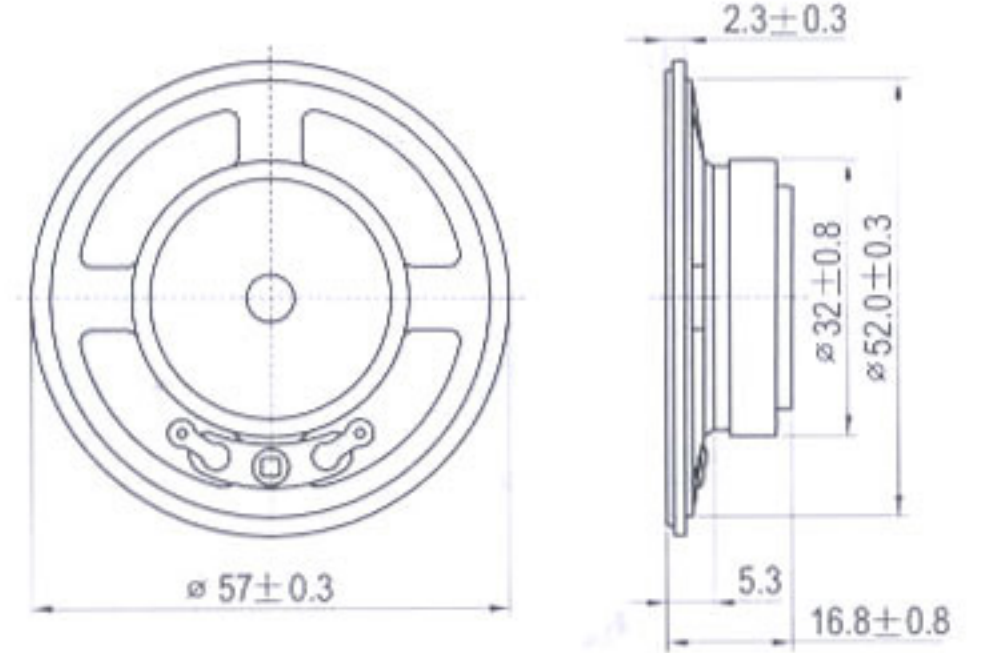
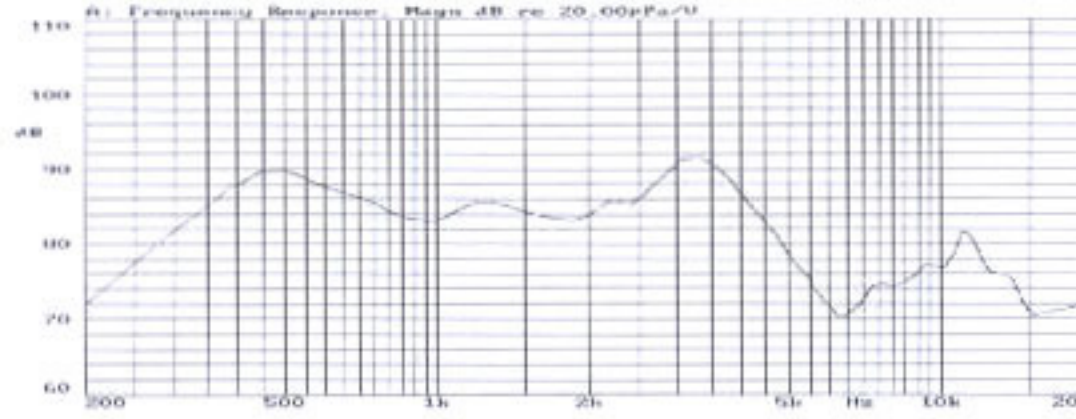
Rated Impedance (Ω)	50 \pm 15%
Rated (Max) Power (W)	1 (2)
Resonance Frequency (Hz)	270 \pm 20%
Rated Freq. Range (Hz)	f _s ~10000
Sound Pressure Level (dB/1m, 1w)	83 \pm 3
Weight (g)	59
Operating Temperature ($^{\circ}$ C)	-10~+40





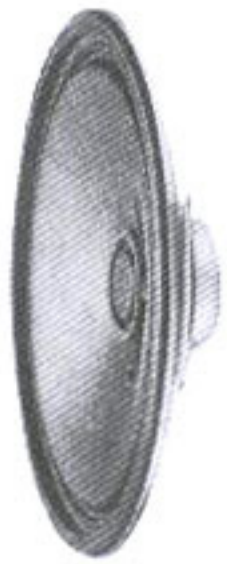
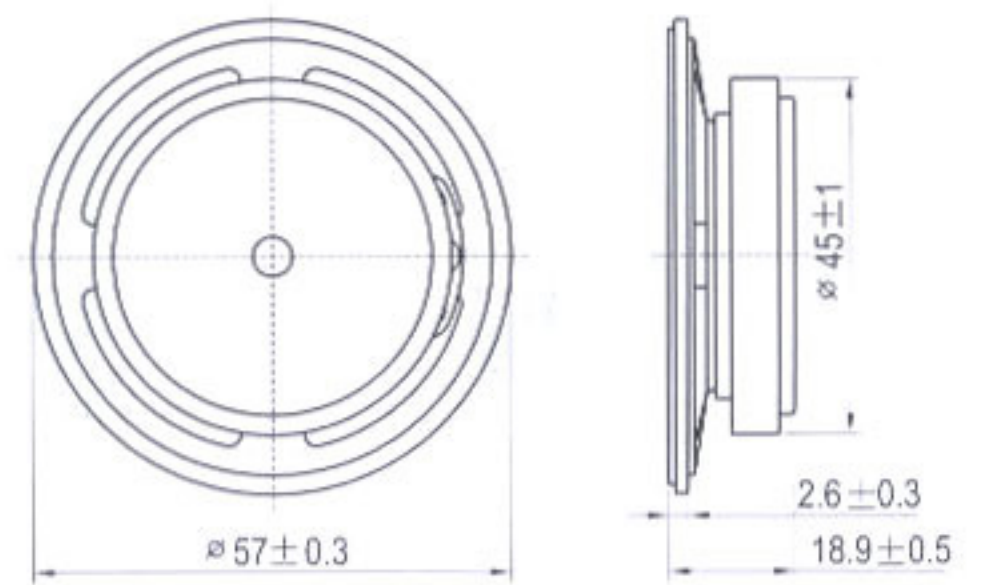
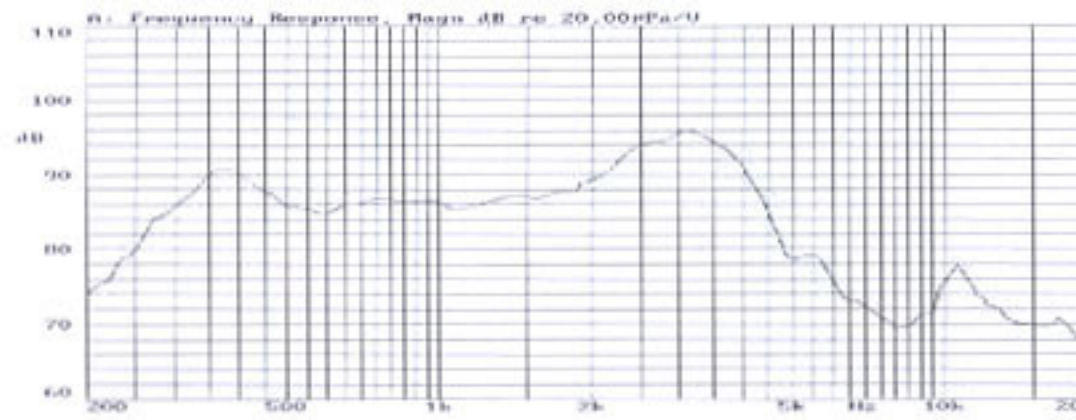
YD58-4

Rated Impedance (Ω)	50 \pm 15%
Rated (Max) Power (W)	0.3 (0.6)
Resonance Frequency (Hz)	450 \pm 20%
Rated Freq. Range (Hz)	f _r ~ 3500
Sound Pressure Level (dB/1m, 1w)	85 \pm 3
Weight (g)	59
Operating Temperature ($^{\circ}$ C)	-10 ~ +40



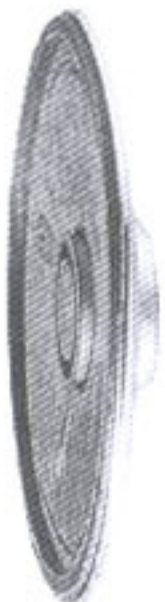
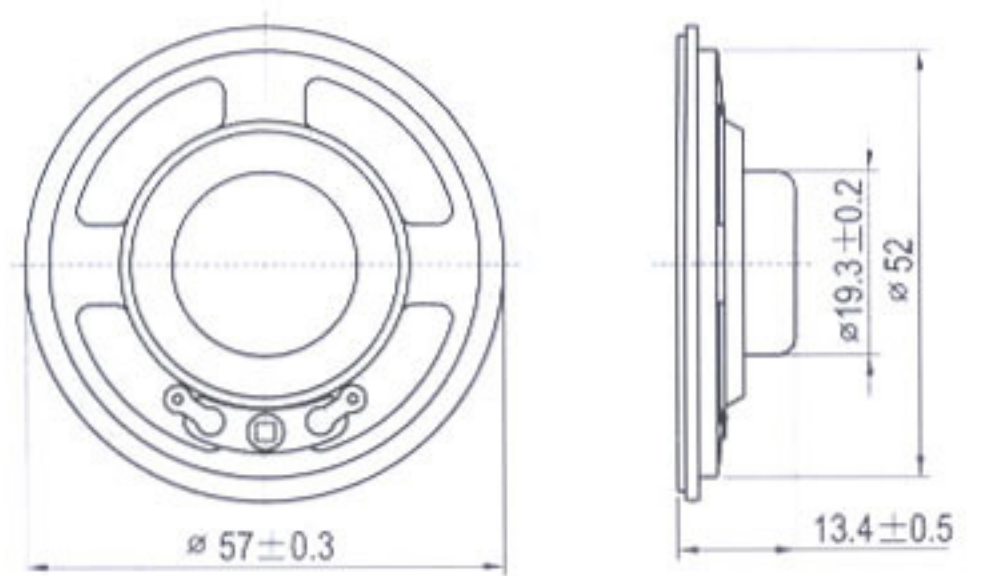
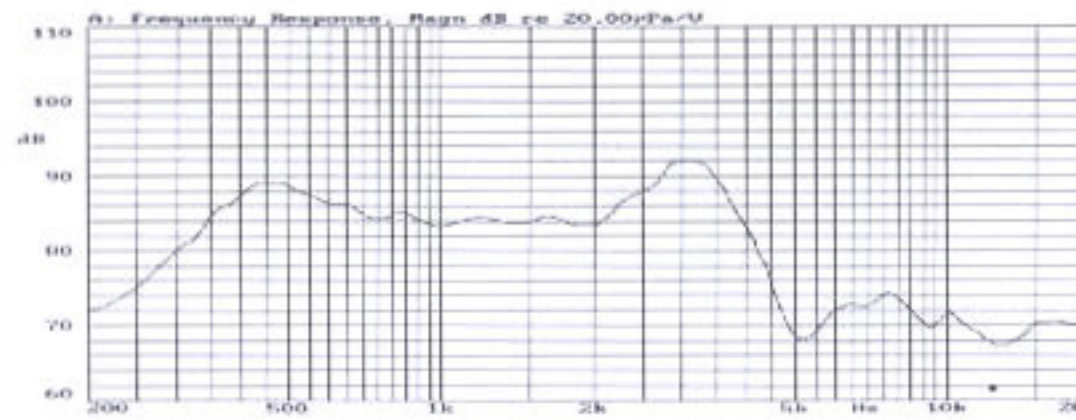
YD58-6

Rated Impedance (Ω)	50 \pm 15%
Rated (Max) Power (W)	3 (5)
Resonance Frequency (Hz)	380 \pm 20%
Rated Freq. Range (Hz)	f _r ~ 4000
Sound Pressure Level (dB/1m, 1w)	88 \pm 2
Weight (g)	90
Operating Temperature ($^{\circ}$ C)	-10 ~ +40



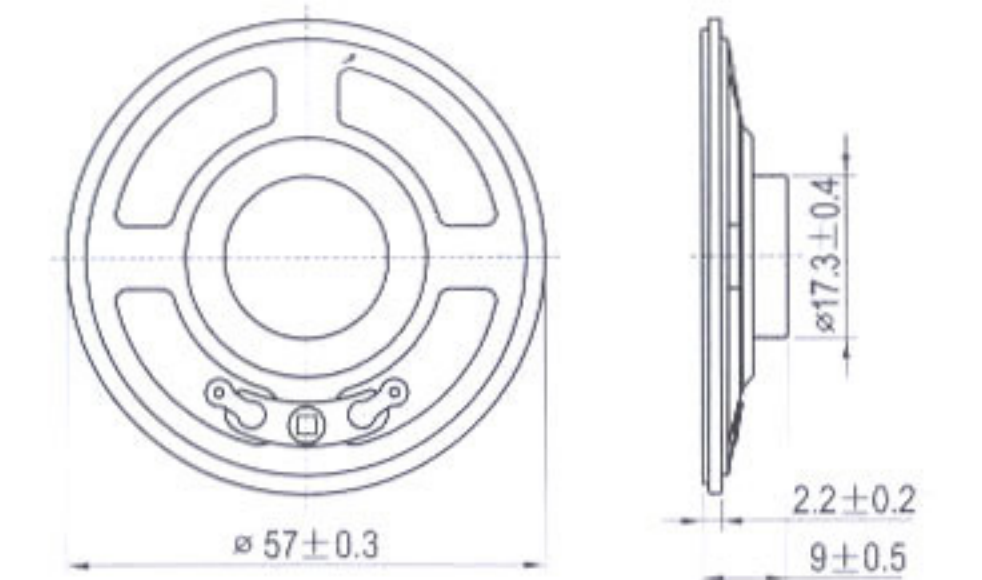
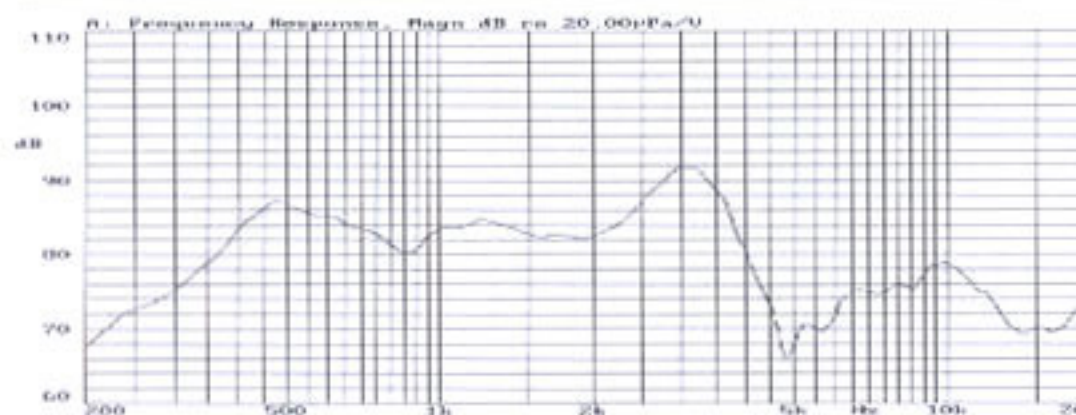
YD58-11

Rated Impedance (Ω)	8 \pm 20%
Rated (Max) Power (W)	0.25 (0.5)
Resonance Frequency (Hz)	450 \pm 20%
Rated Freq. Range (Hz)	f _r ~ 3500
Sound Pressure Level (dB/1m, 1w)	85 \pm 3
Weight (g)	23
Operating Temperature ($^{\circ}$ C)	-10 ~ +40



YD58-12

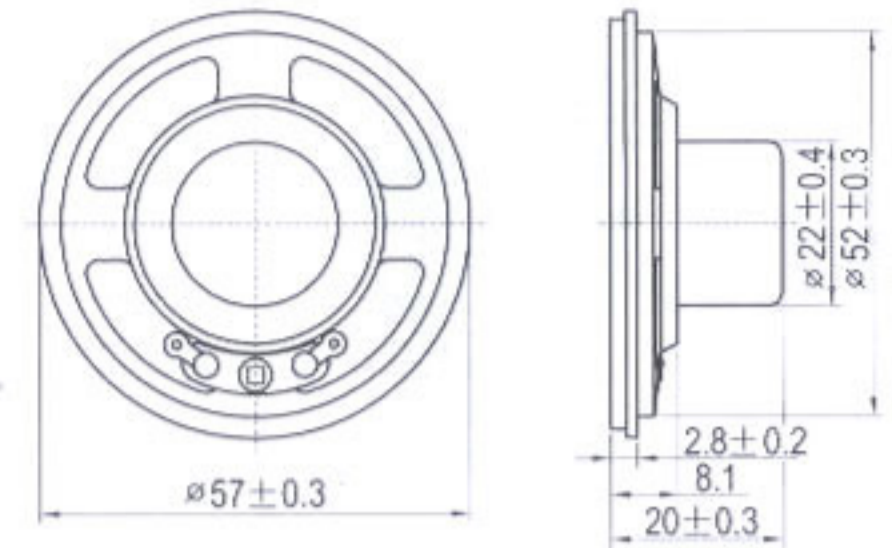
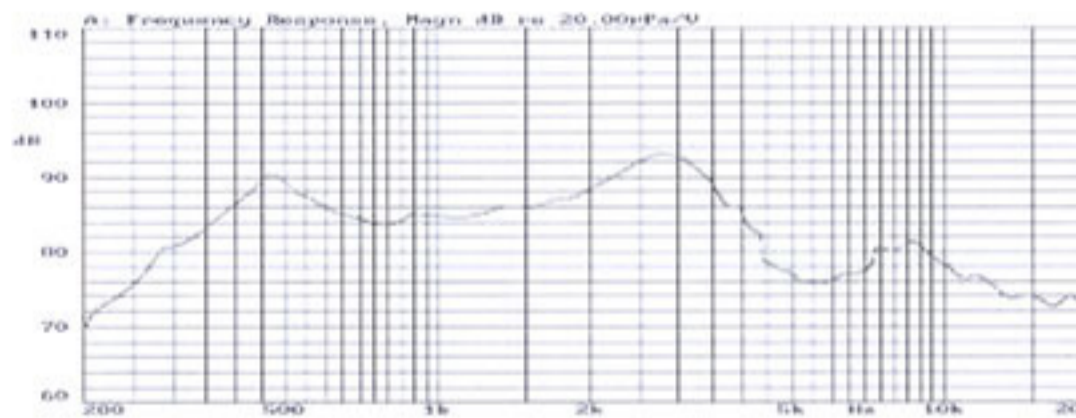
Rated Impedance (Ω)	8 \pm 15%
Rated (Max) Power (W)	0.25 (0.5)
Resonance Frequency (Hz)	450 \pm 20%
Rated Freq. Range (Hz)	f _r ~ 3000
Sound Pressure Level (dB/1m, 1w)	85 \pm 3
Weight (g)	16
Operating Temperature ($^{\circ}$ C)	-10 ~ +40





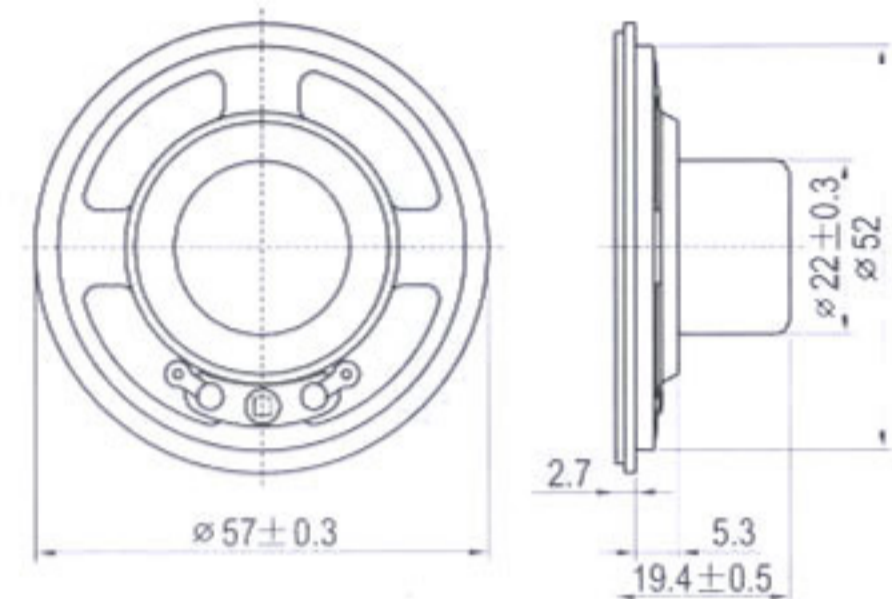
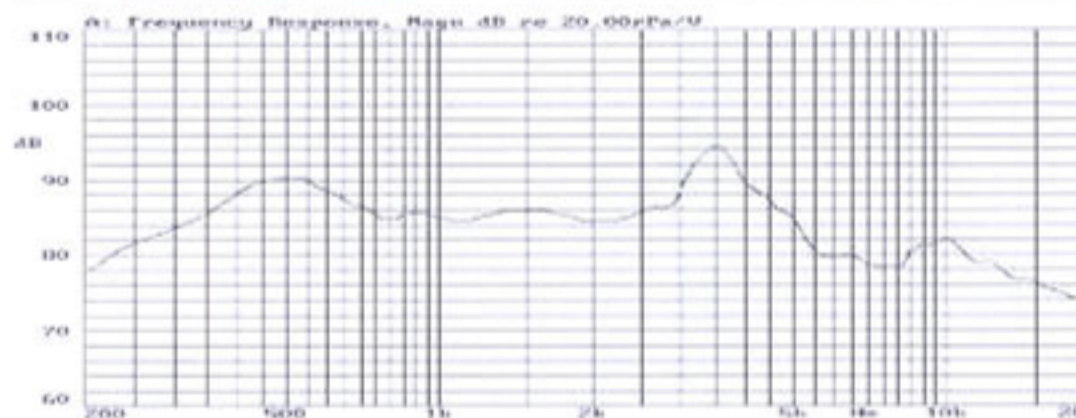
YD58-13

Rated Impedance (Ω)	8 \pm 15%
Rated (Max) Power (W)	0.25 (0.5)
Resonance Frequency (Hz)	450 \pm 20%
Rated Freq. Range (Hz)	f. $_0$ ~4000
Sound Pressure Level (dB/1m, 1w)	85 \pm 3
Weight (g)	33
Operating Temperature ($^{\circ}$ C)	-10~+40



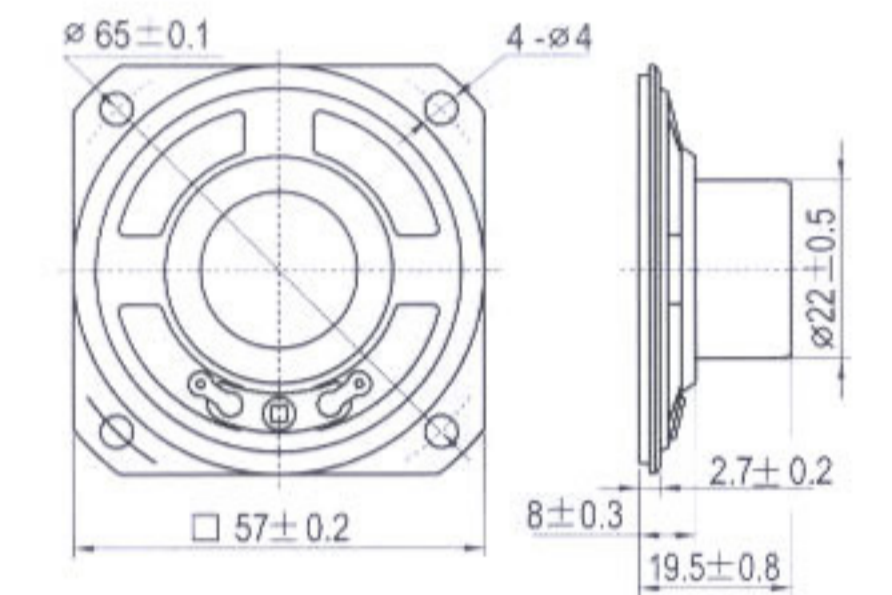
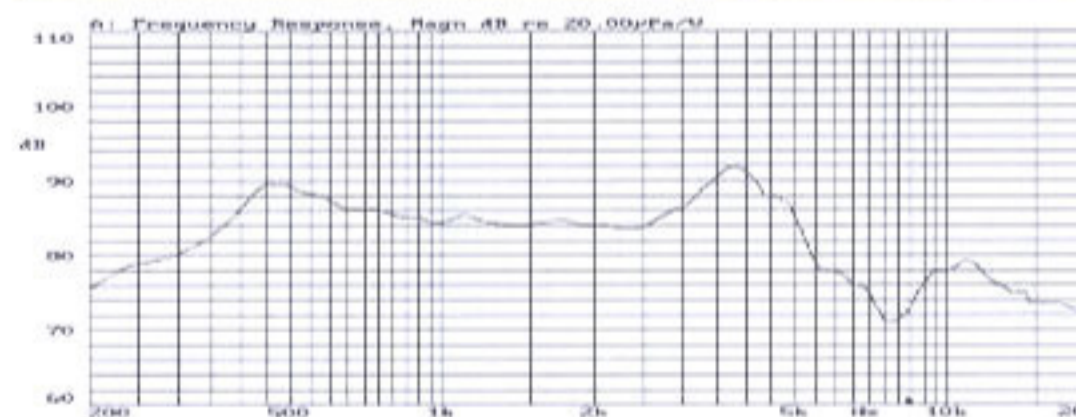
YD58-14A

Rated Impedance (Ω)	8 \pm 15%
Rated (Max) Power (W)	0.25 (0.5)
Resonance Frequency (Hz)	450 \pm 20%
Rated Freq. Range (Hz)	f. $_0$ ~4000
Sound Pressure Level (dB/1m, 1w)	85 \pm 3
Weight (g)	33
Operating Temperature ($^{\circ}$ C)	-10~+40



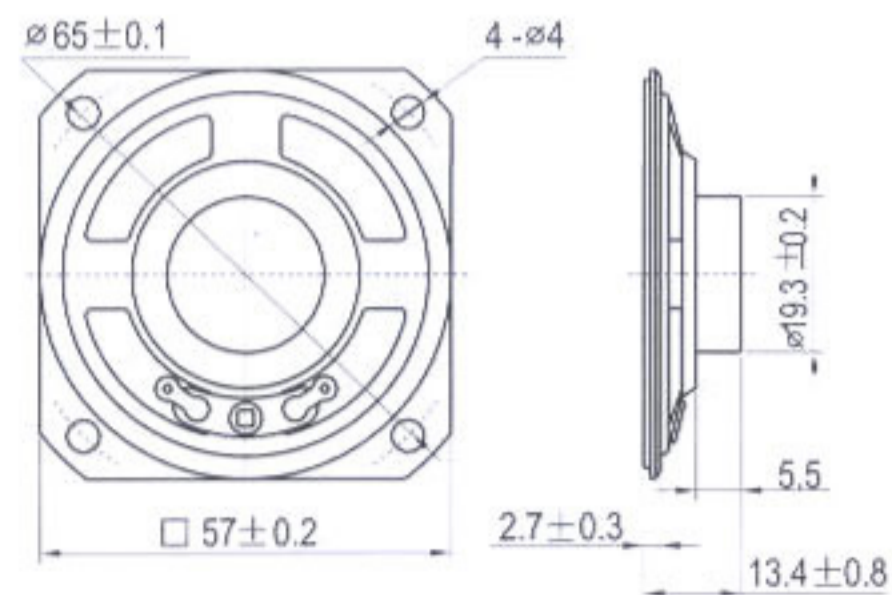
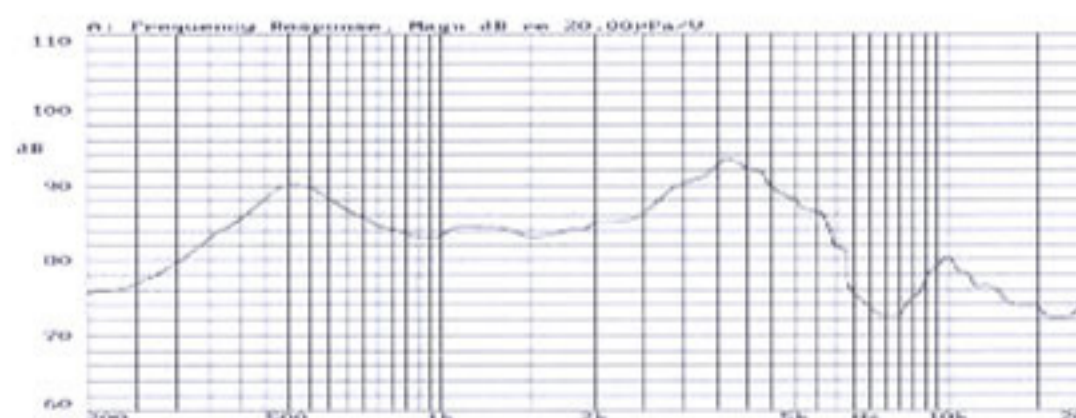
YD58-16

Rated Impedance (Ω)	25 \pm 20%
Rated (Max) Power (W)	0.25 (0.5)
Resonance Frequency (Hz)	550 \pm 20%
Rated Freq. Range (Hz)	f. $_0$ ~5500
Sound Pressure Level (dB/1m, 1w)	87 \pm 3
Weight (g)	34
Operating Temperature ($^{\circ}$ C)	-10~+40



YD58-16A

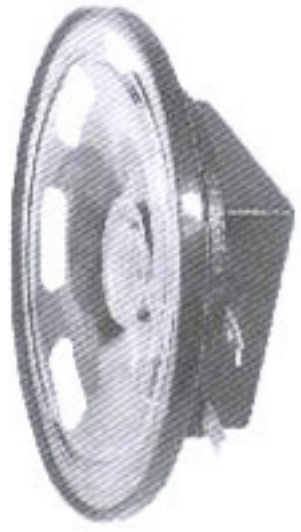
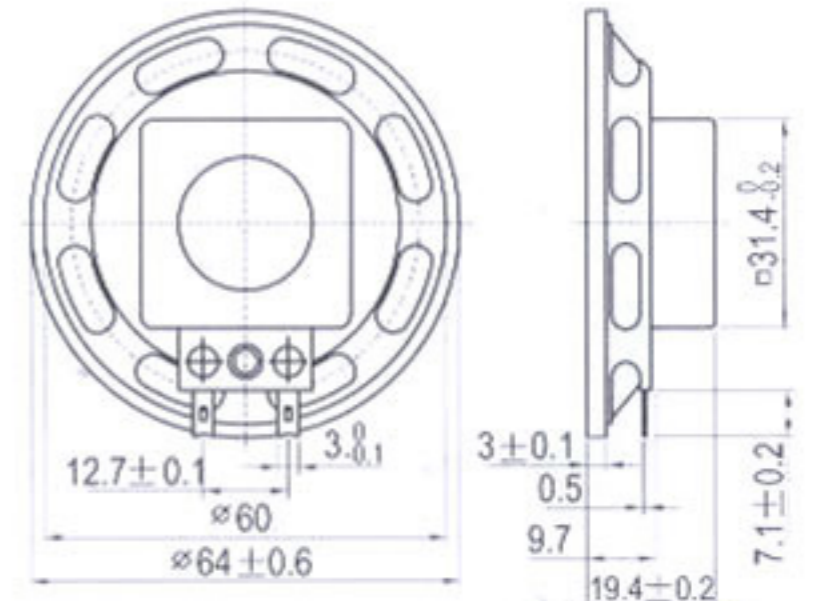
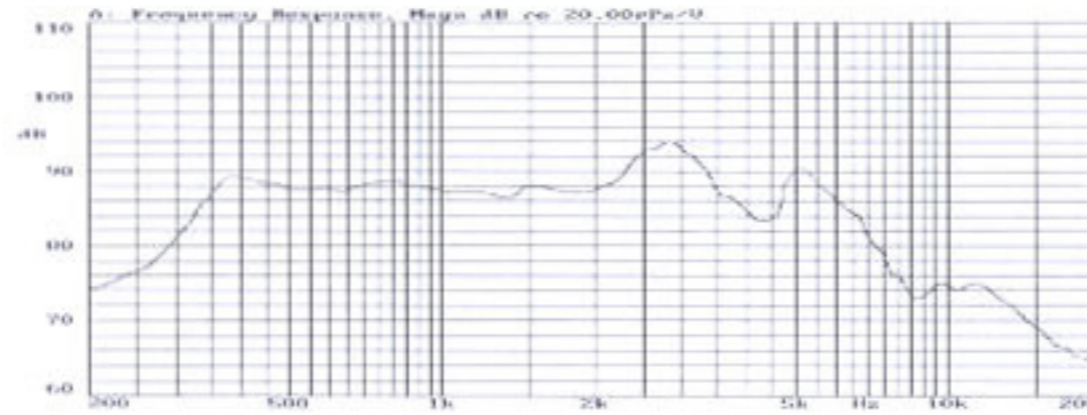
Rated Impedance (Ω)	16 \pm 15%
Rated (Max) Power (W)	0.25 (0.5)
Resonance Frequency (Hz)	550 \pm 20%
Rated Freq. Range (Hz)	f. $_0$ ~5500
Sound Pressure Level (dB/1m, 1w)	87 \pm 3
Weight (g)	24
Operating Temperature ($^{\circ}$ C)	-10~+40





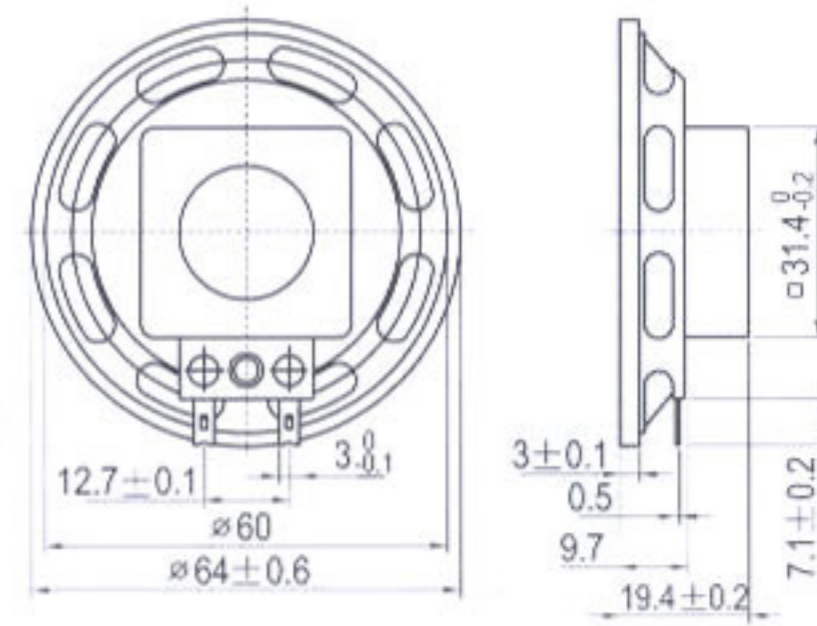
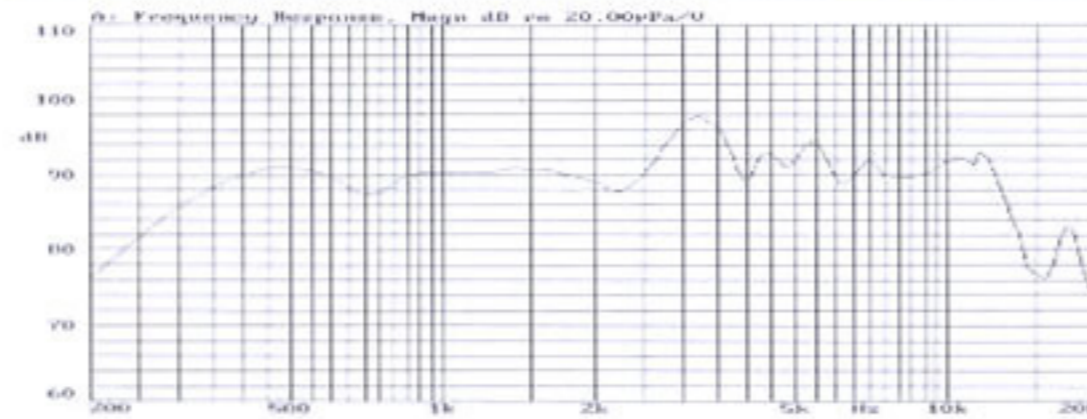
YD64-11

Rated Impedance (Ω)	50 \pm 15%
Rated (Max) Power (W)	0.5 (1)
Resonance Frequency (Hz)	360 \pm 80
Rated Freq. Range (Hz)	f _c ~3400
Sound Pressure Level (dB/1m, 1w)	86 \pm 2
Weight (g)	29
Operating Temperature ($^{\circ}$ C)	-10~+40



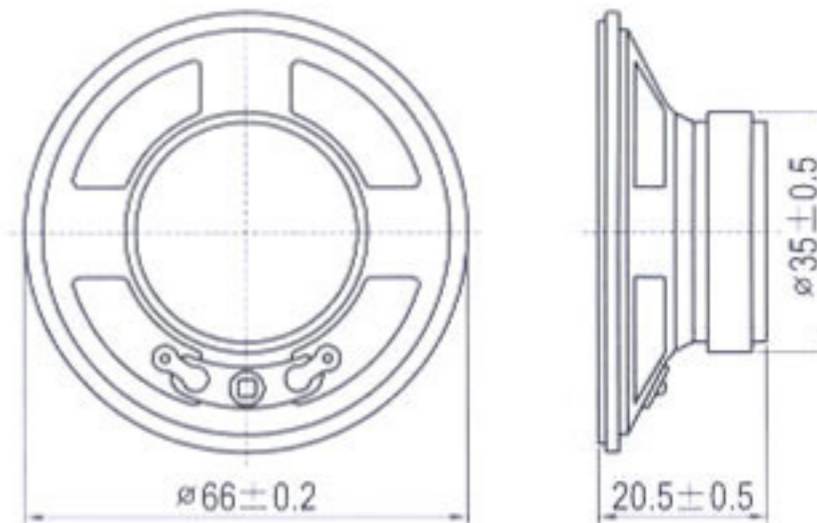
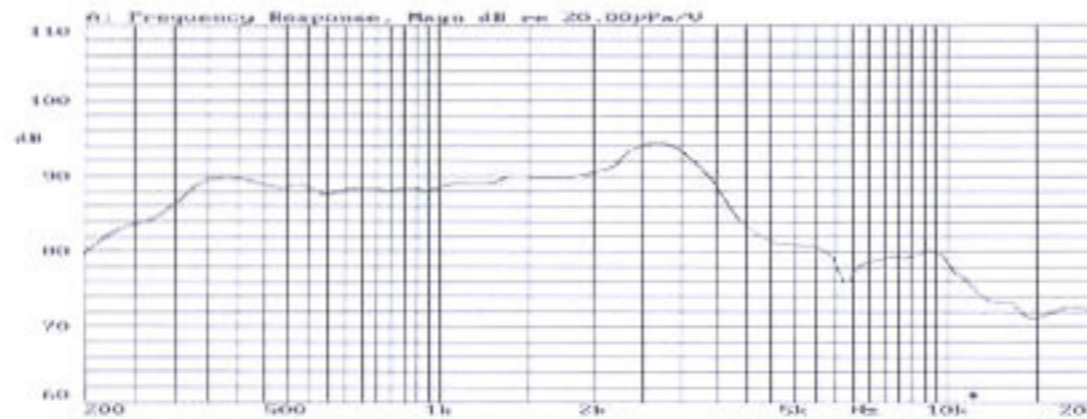
YD64-11B

Rated Impedance (Ω)	8 \pm 15%
Rated (Max) Power (W)	0.5 (1)
Resonance Frequency (Hz)	360 \pm 20%
Rated Freq. Range (Hz)	f _c ~5000
Sound Pressure Level (dB/1m, 1w)	86 \pm 3
Weight (g)	29
Operating Temperature ($^{\circ}$ C)	-10~+40



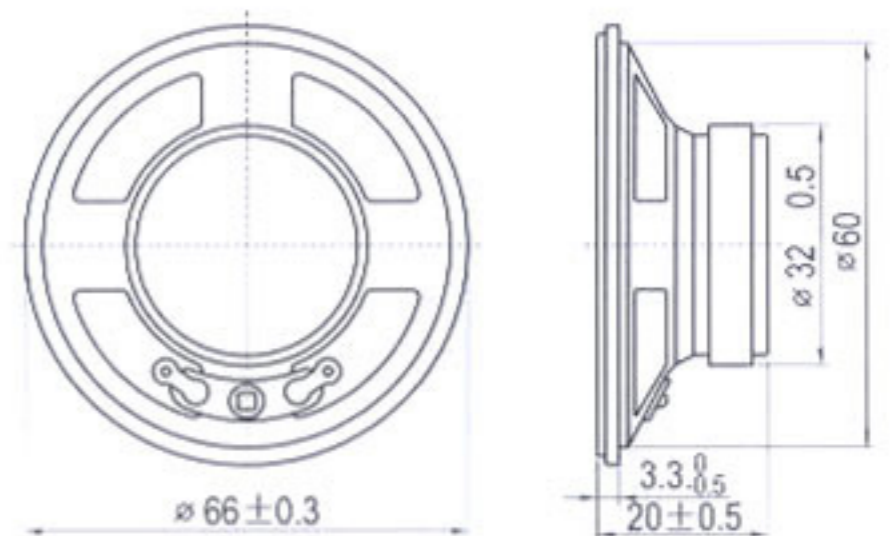
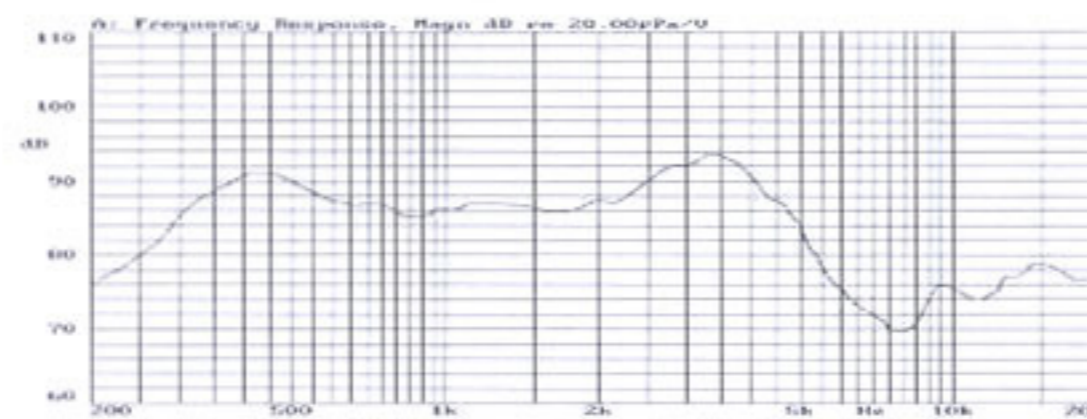
YD66-1

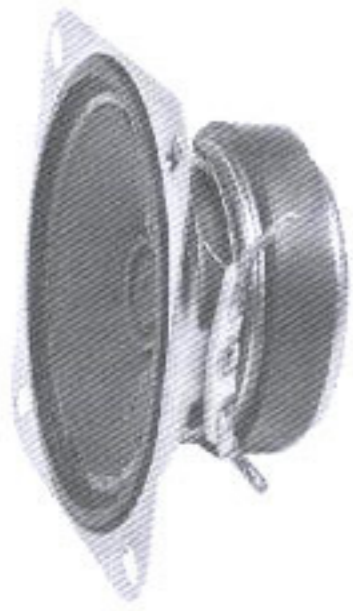
Rated Impedance (Ω)	8 \pm 15%
Rated (Max) Power (W)	1 (2)
Resonance Frequency (Hz)	280 \pm 20%
Rated Freq. Range (Hz)	f _c ~3500
Sound Pressure Level (dB/1m, 1w)	85 \pm 3
Weight (g)	58
Operating Temperature ($^{\circ}$ C)	-10~+40



YD66-2

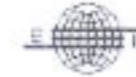
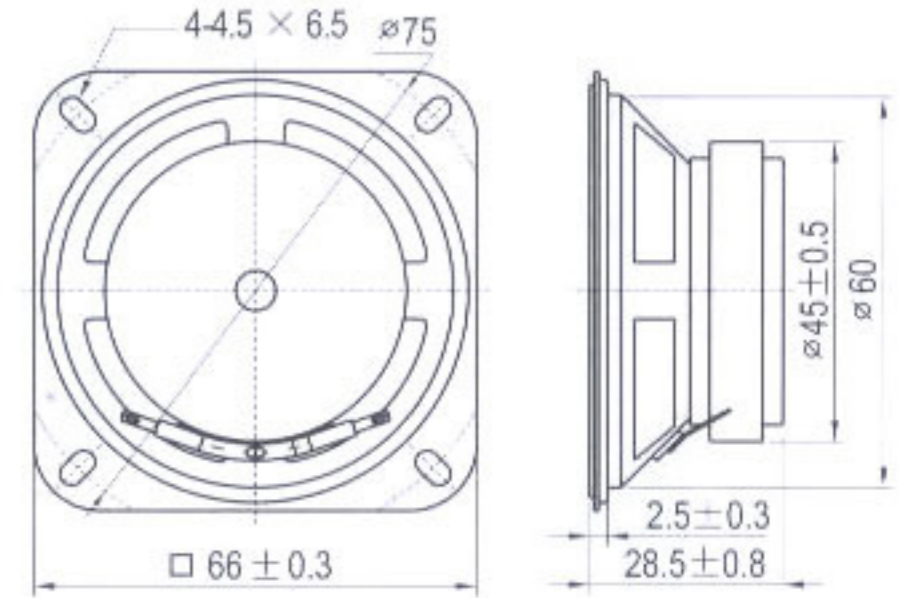
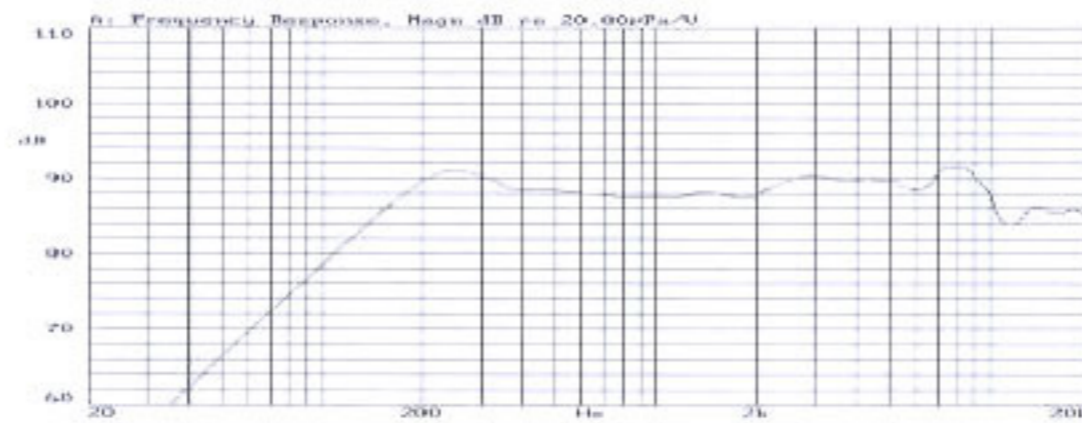
Rated Impedance (Ω)	8 \pm 15%
Rated (Max) Power (W)	0.5 (1)
Resonance Frequency (Hz)	350 \pm 20%
Rated Freq. Range (Hz)	f _c ~4000
Sound Pressure Level (dB/1m, 1w)	85 \pm 3
Weight (g)	58
Operating Temperature ($^{\circ}$ C)	-10~+40





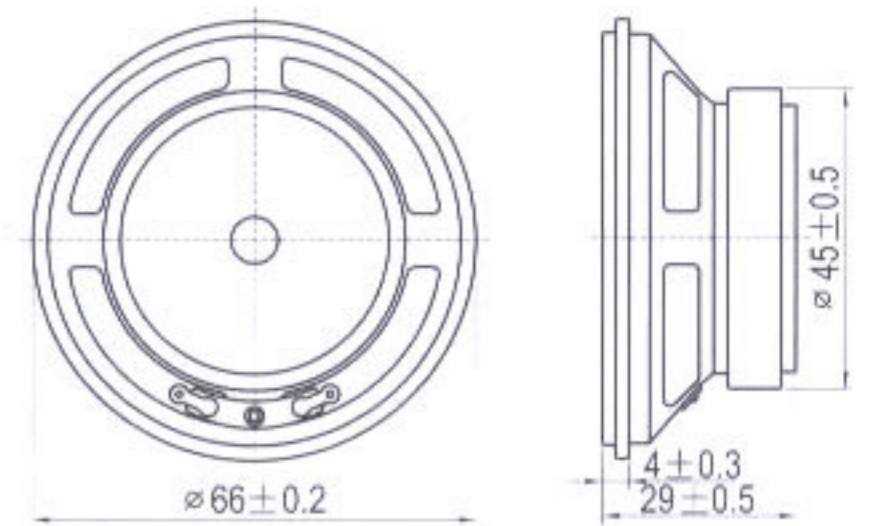
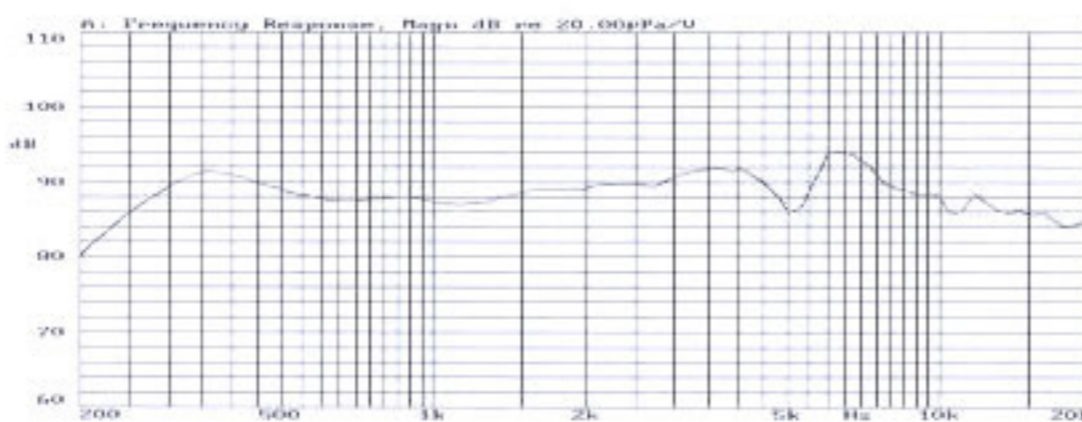
YD66-4

Rated Impedance (Ω)	8 \pm 15%
Rated (Max) Power (W)	5 (8)
Resonance Frequency (Hz)	250 \pm 20%
Rated Freq. Range (Hz)	f _s ~20000
Sound Pressure Level (dB/1m, 1w)	86 \pm 3
Weight (g)	135
Operating Temperature (°C)	-10~+40



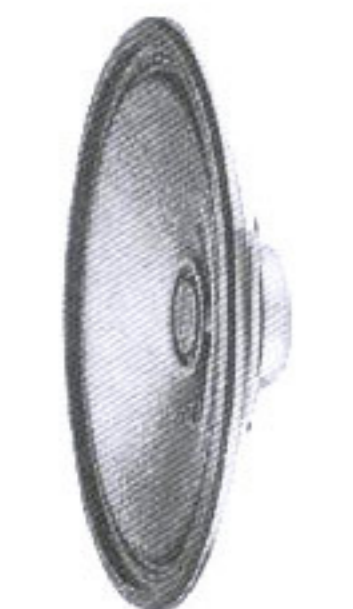
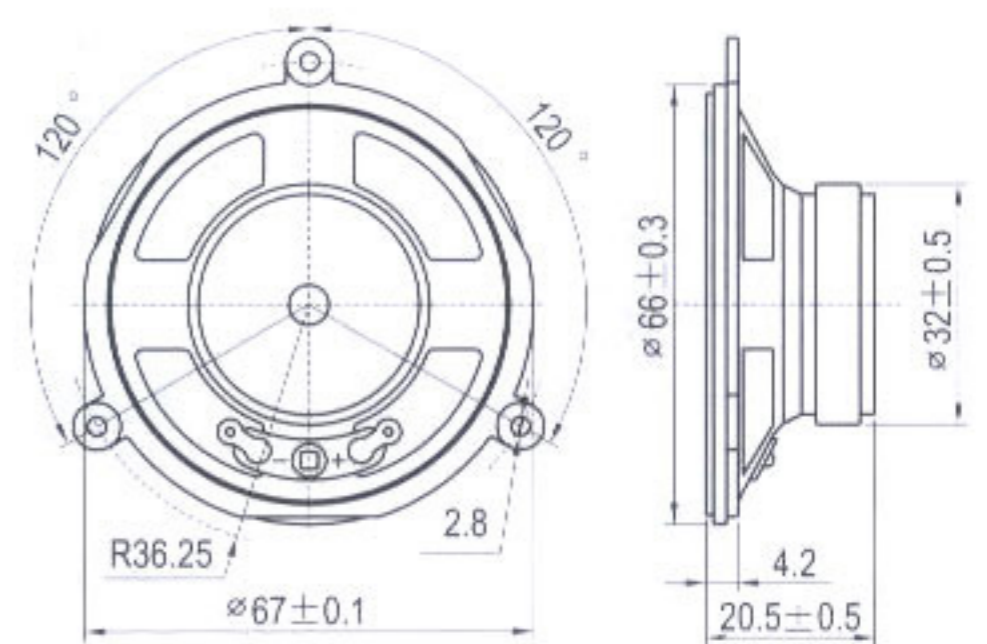
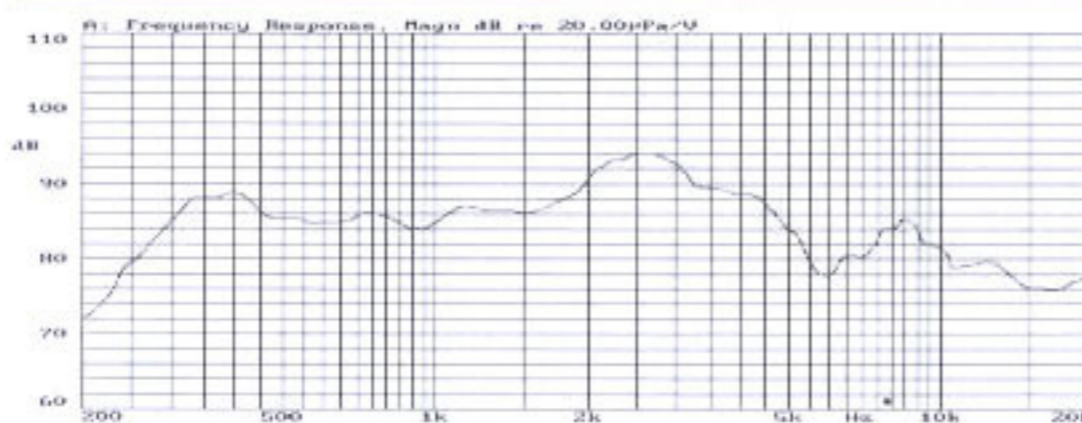
YD66-5A

Rated Impedance (Ω)	4 \pm 15%
Rated (Max) Power (W)	5 (7)
Resonance Frequency (Hz)	250 \pm 20%
Rated Freq. Range (Hz)	f _s ~12000
Sound Pressure Level (dB/1m, 1w)	88 \pm 3
Weight (g)	116
Operating Temperature (°C)	-10~+40



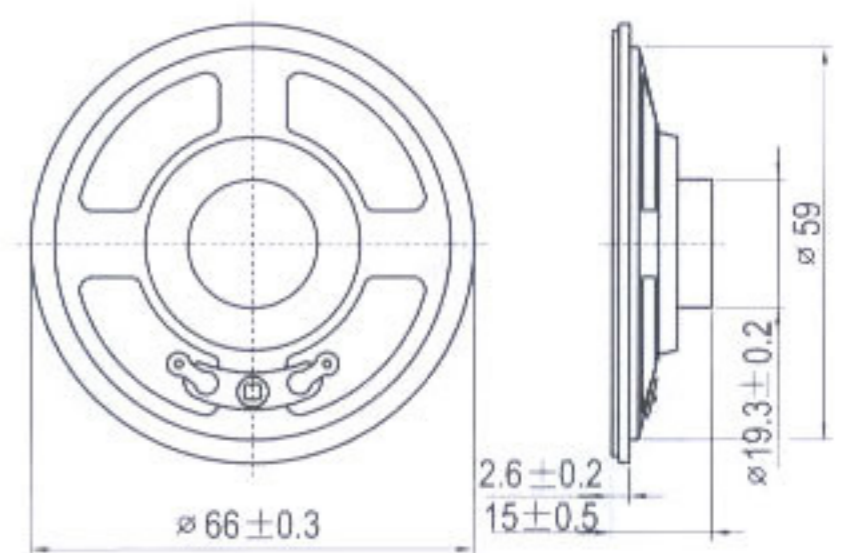
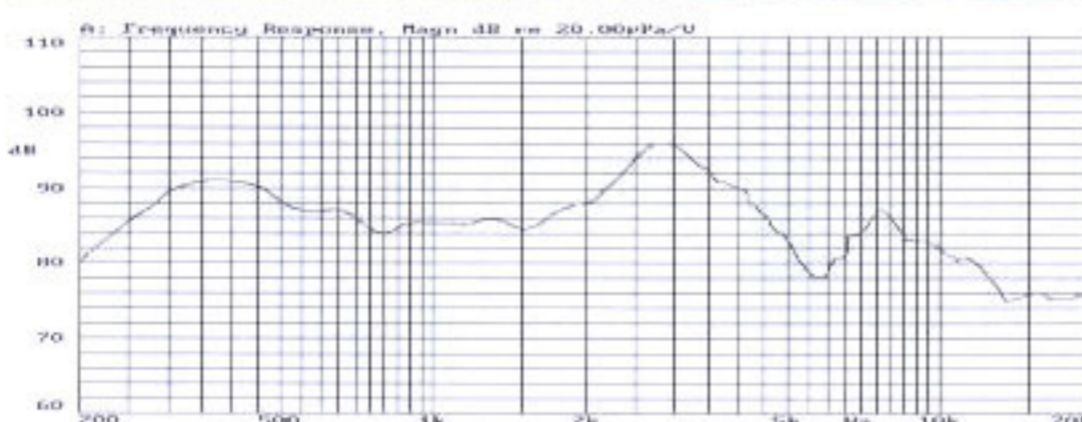
YD66-8

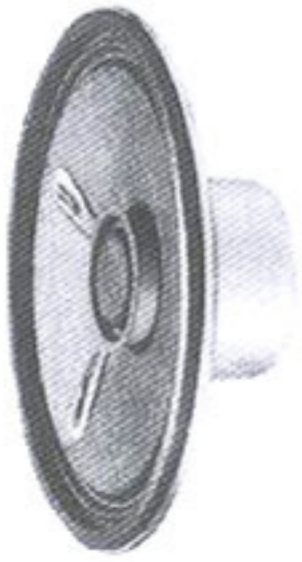
Rated Impedance (Ω)	16 \pm 15%
Rated (Max) Power (W)	1 (2)
Resonance Frequency (Hz)	280 \pm 20%
Rated Freq. Range (Hz)	f _s ~4000
Sound Pressure Level (dB/1m, 1w)	85 \pm 3
Weight (g)	66
Operating Temperature (°C)	-10~+40



YD66-11

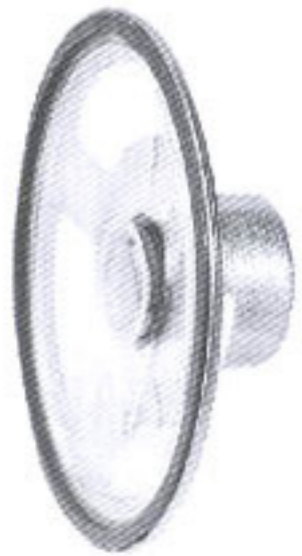
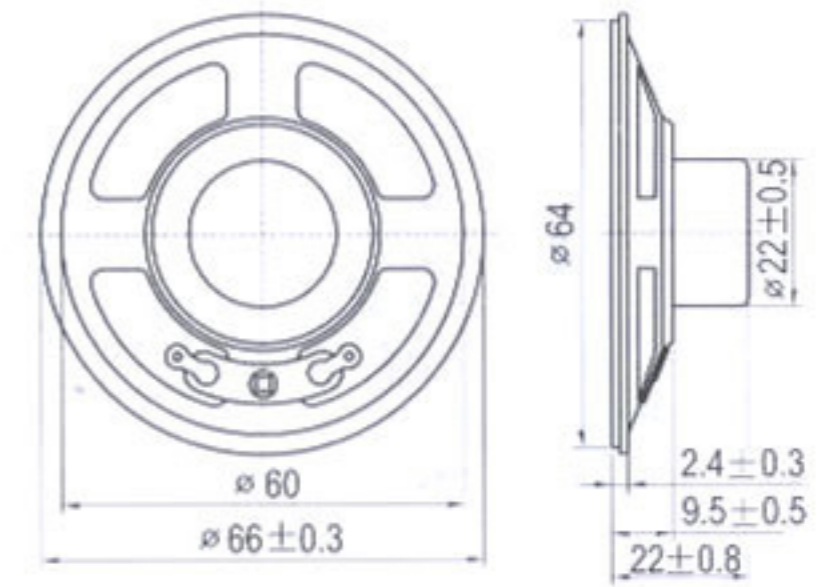
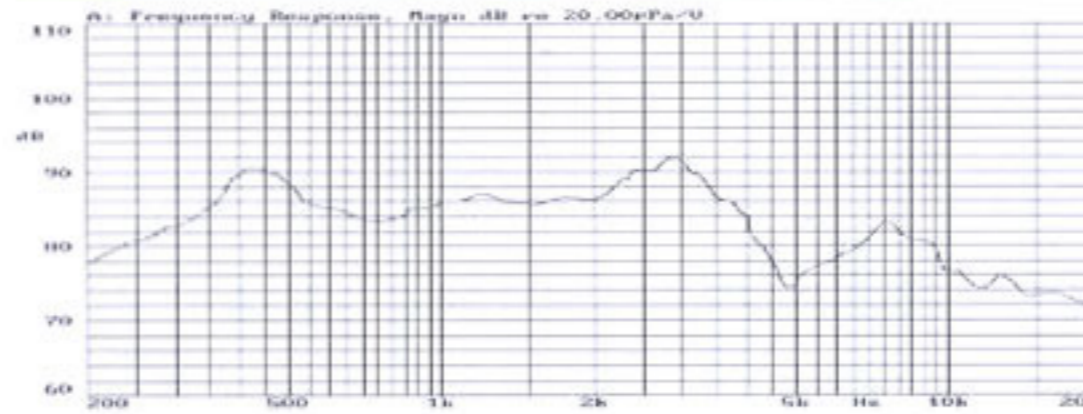
Rated Impedance (Ω)	8 \pm 15%
Rated (Max) Power (W)	1 (2)
Resonance Frequency (Hz)	280 \pm 20%
Rated Freq. Range (Hz)	f _s ~3500
Sound Pressure Level (dB/1m, 1w)	85 \pm 3
Weight (g)	25
Operating Temperature (°C)	-10~+40





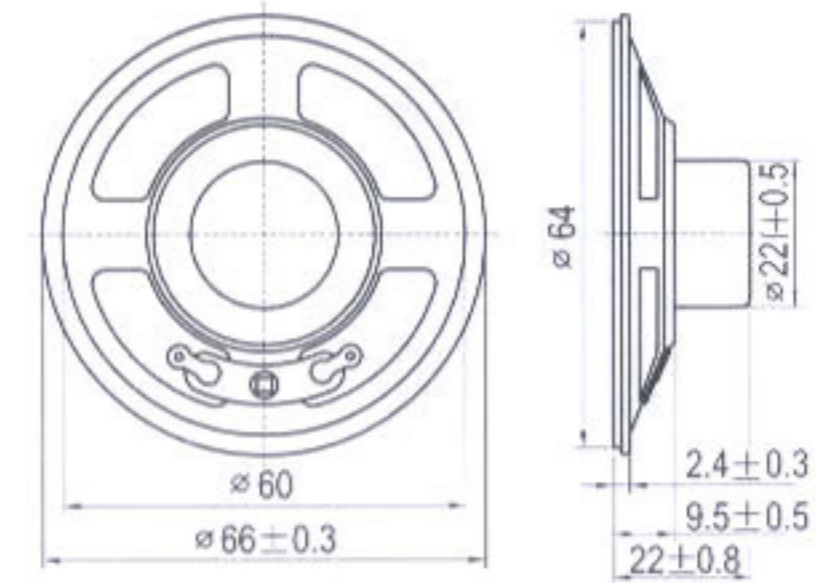
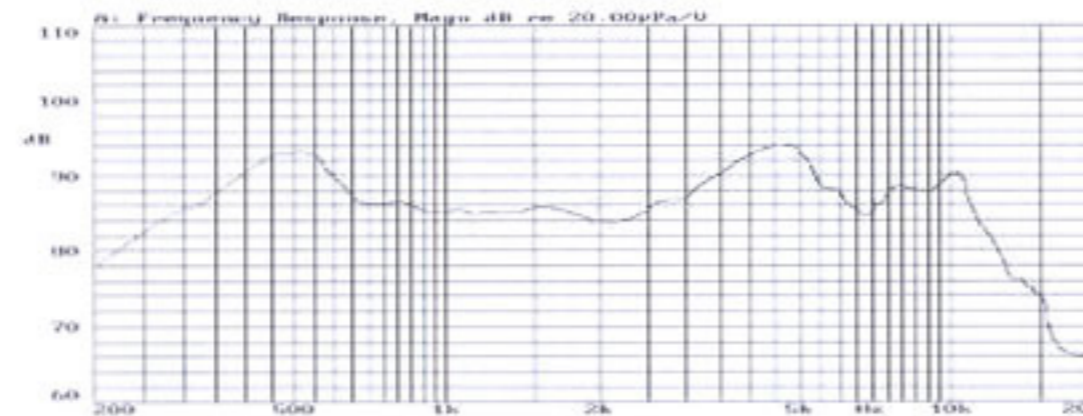
YD66-13

Rated Impedance (Ω)	50 \pm 15%
Rated (Max) Power (W)	0.2 (0.3)
Resonance Frequency (Hz)	350 \pm 20%
Rated Freq. Range (Hz)	f. \sim 3500
Sound Pressure Level (dB/1m, 1w)	85 \pm 3
Weight (g)	36
Operating Temperature ($^{\circ}$ C)	-10 \sim +40



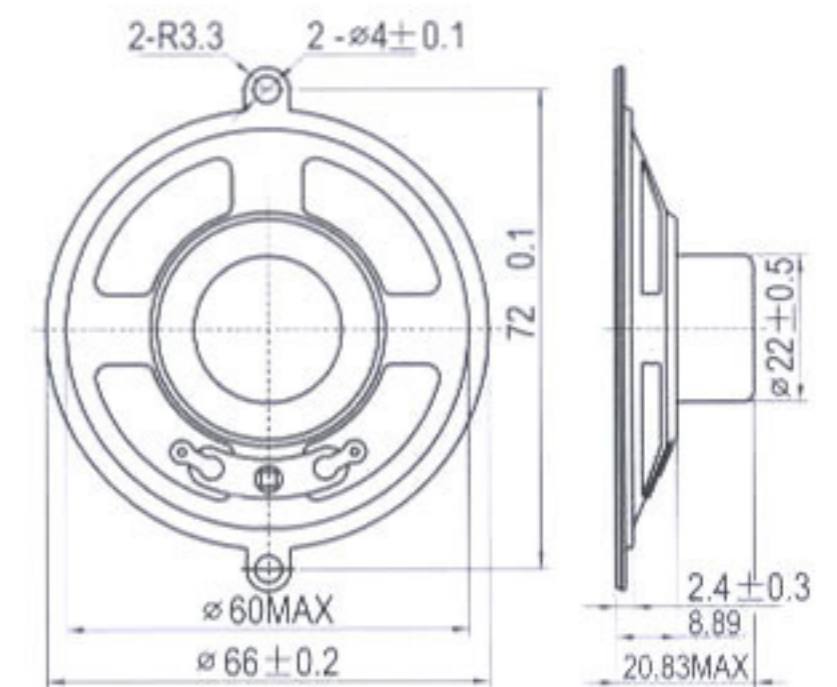
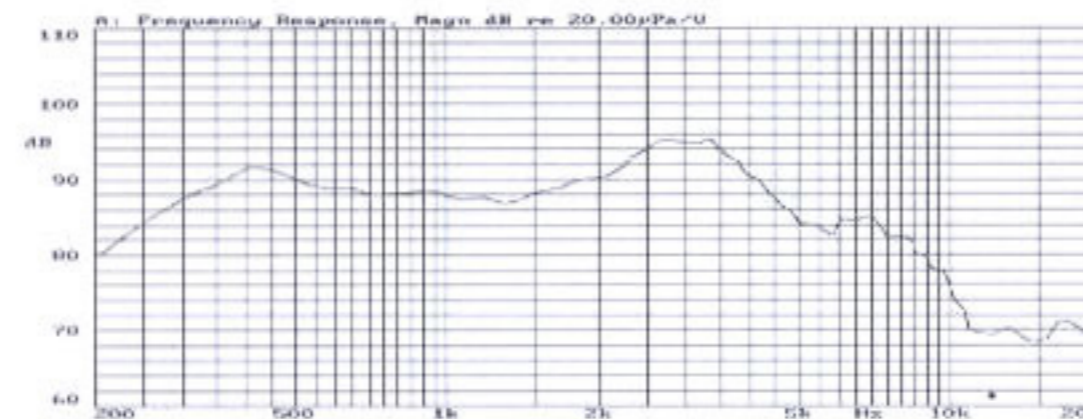
YD66-13B

Rated Impedance (Ω)	100 \pm 15%
Rated (Max) Power (W)	0.25 (0.5)
Resonance Frequency (Hz)	400 \pm 20%
Rated Freq. Range (Hz)	f. \sim 5000
Sound Pressure Level (dB/1m, 1w)	87 \pm 3
Weight (g)	36
Operating Temperature ($^{\circ}$ C)	-10 \sim +40



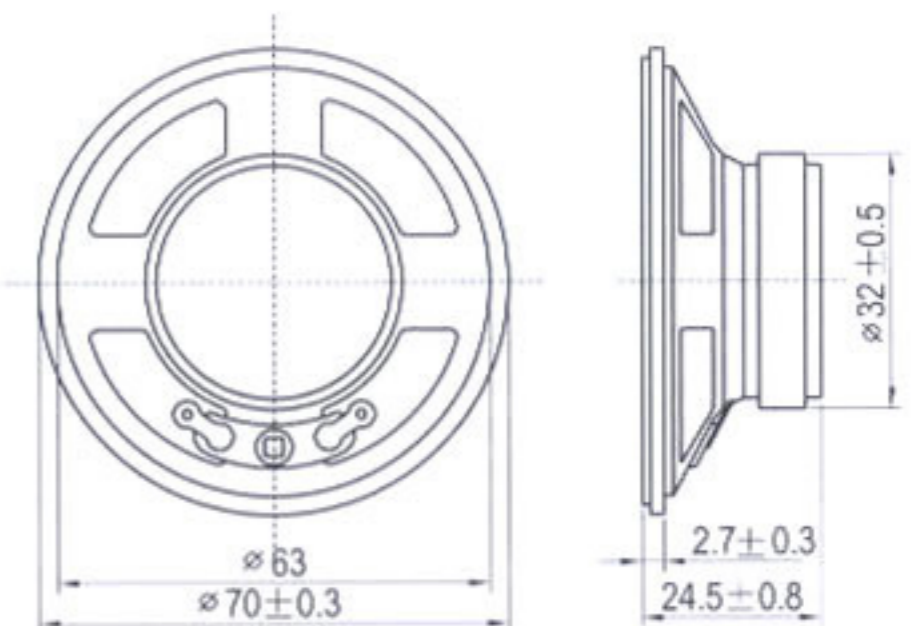
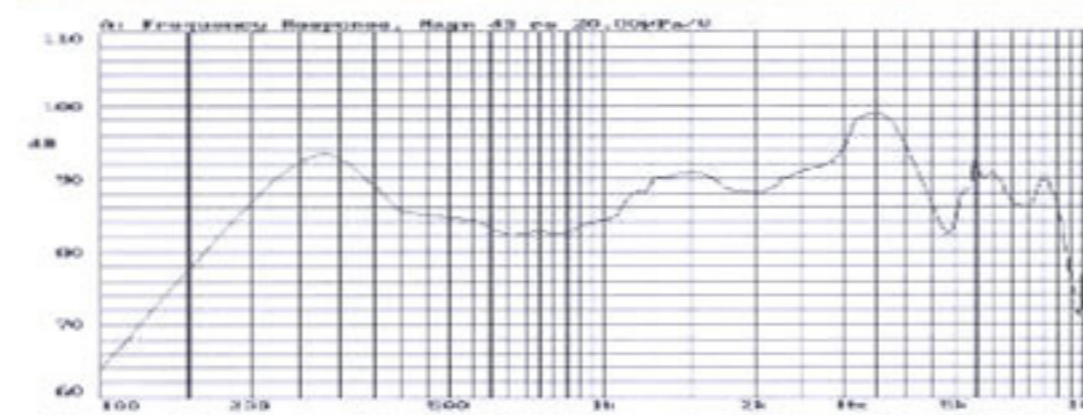
YD66-15

Rated Impedance (Ω)	8 \pm 15%
Rated (Max) Power (W)	0.25 (0.5)
Resonance Frequency (Hz)	300 \pm 20%
Rated Freq. Range (Hz)	f. \sim 4000
Sound Pressure Level (dB/1m, 1w)	88 \pm 3
Weight (g)	36
Operating Temperature ($^{\circ}$ C)	-10 \sim +40



YD70-1

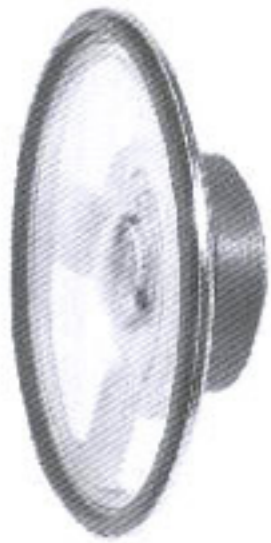
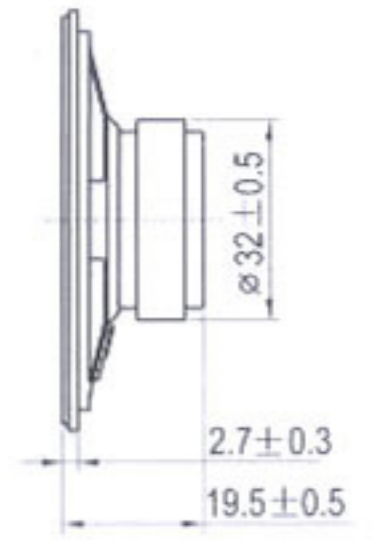
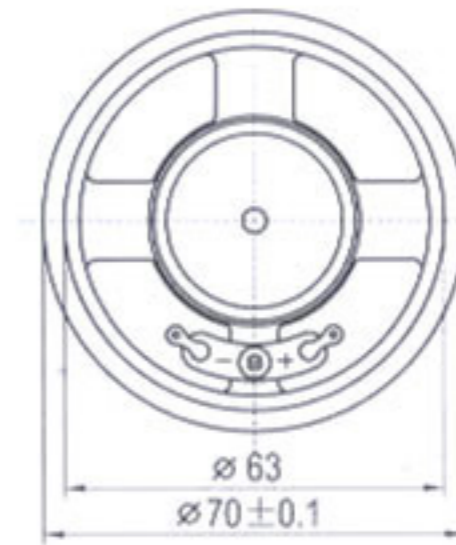
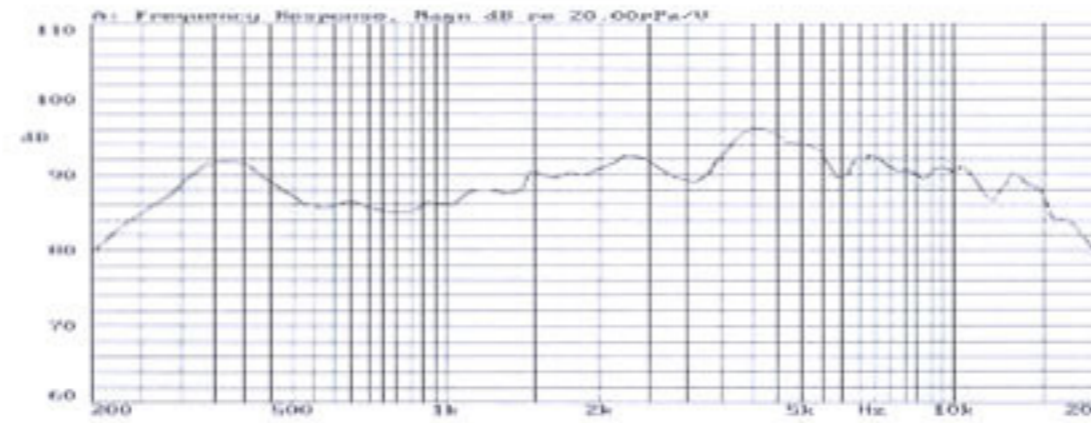
Rated Impedance (Ω)	8 \pm 15%
Rated (Max) Power (W)	0.5 (1)
Resonance Frequency (Hz)	260 \pm 20%
Rated Freq. Range (Hz)	f. \sim 5000
Sound Pressure Level (dB/1m, 1w)	85 \pm 3
Weight (g)	61
Operating Temperature ($^{\circ}$ C)	-10 \sim +40





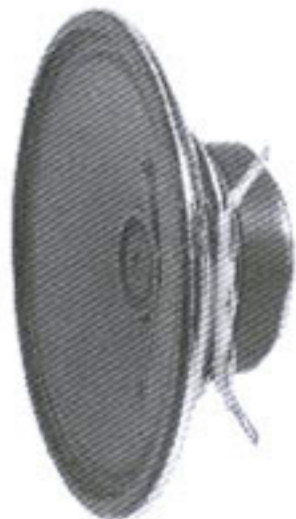
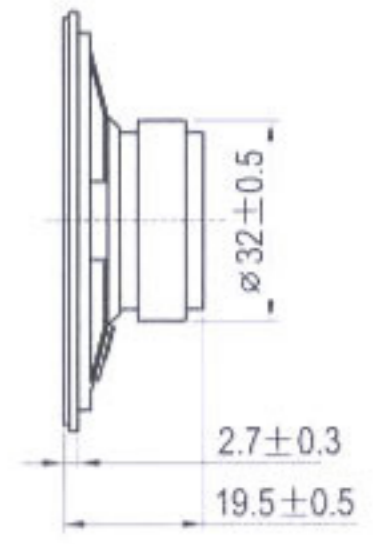
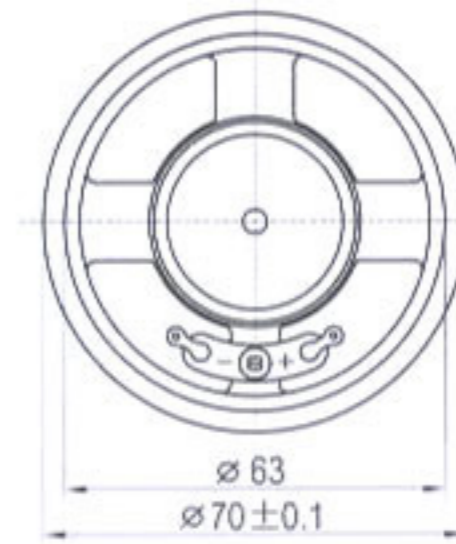
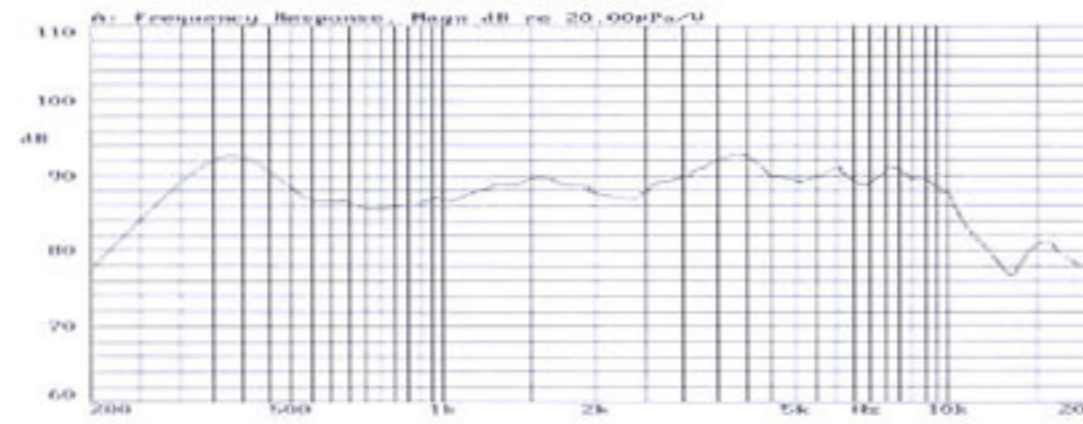
YD70-2

Rated Impedance (Ω)	8 \pm 15%
Rated (Max) Power (W)	1 (2)
Resonance Frequency (Hz)	280 \pm 20%
Rated Freq. Range (Hz)	f. \sim 5000
Sound Pressure Level (dB/1m, 1w)	85 \pm 3
Weight (g)	58
Operating Temperature ($^{\circ}$ C)	-10 \sim +40



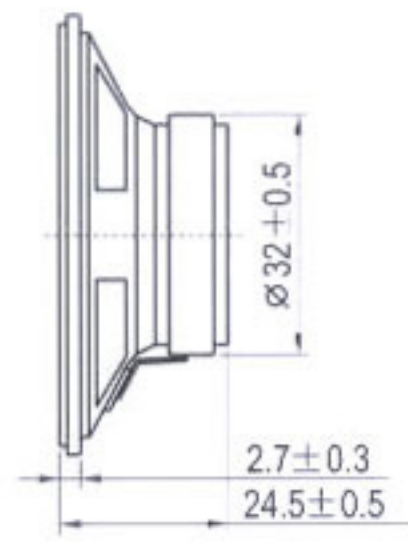
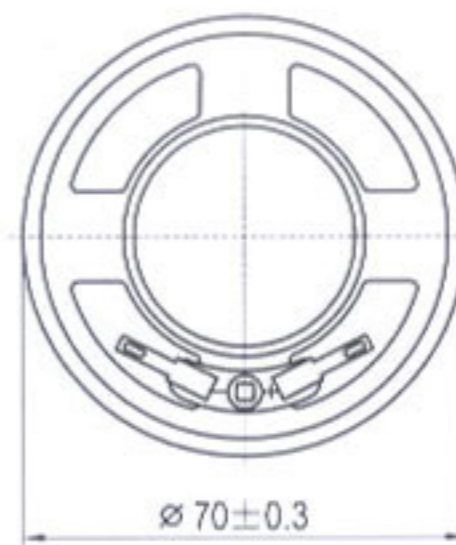
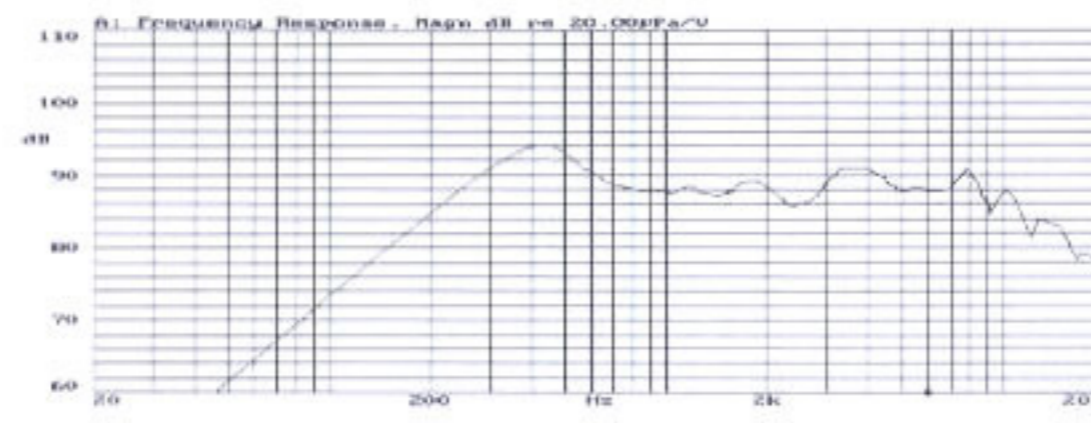
YD70-2B

Rated Impedance (Ω)	8 \pm 15%
Rated (Max) Power (W)	1 (2)
Resonance Frequency (Hz)	320 \pm 20%
Rated Freq. Range (Hz)	f. \sim 5000
Sound Pressure Level (dB/1m, 1w)	85 \pm 3
Weight (g)	58
Operating Temperature ($^{\circ}$ C)	-10 \sim +40



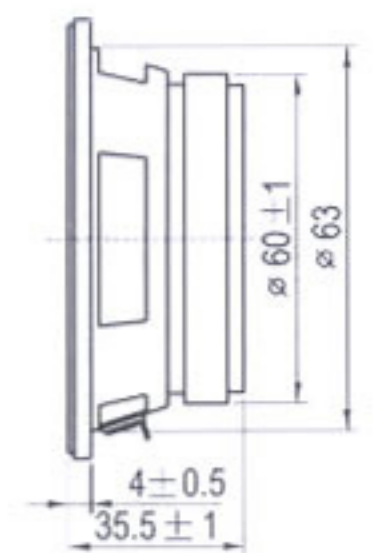
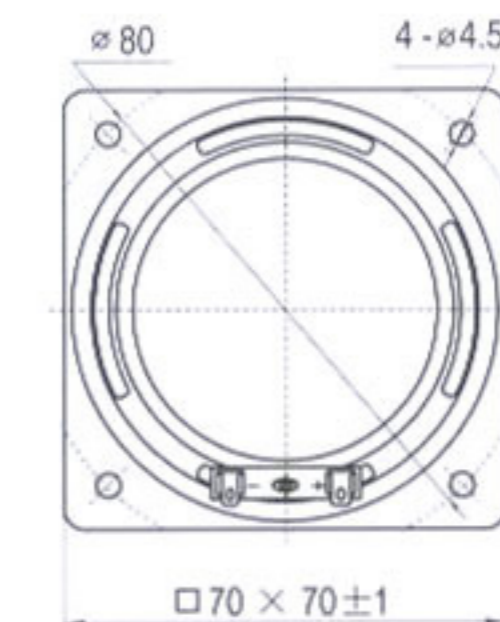
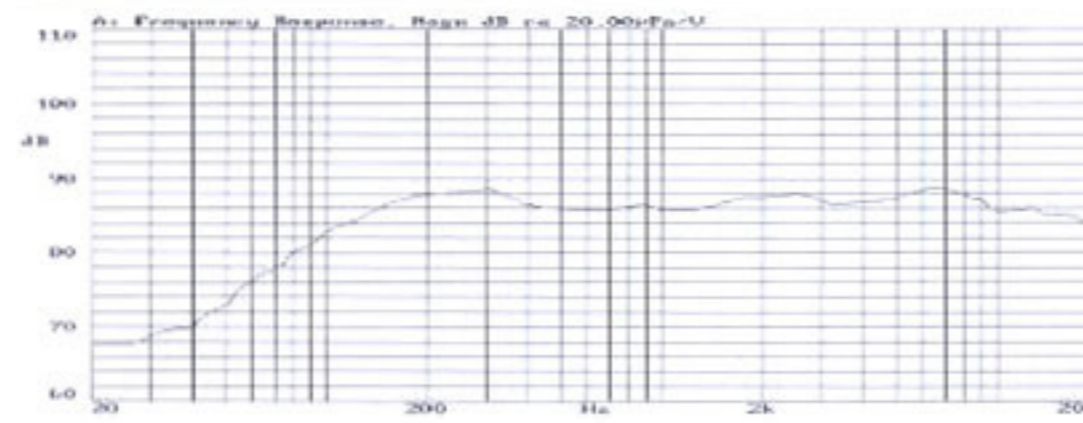
YD70-3

Rated Impedance (Ω)	25 \pm 15%
Rated (Max) Power (W)	1 (2)
Resonance Frequency (Hz)	300 \pm 20%
Rated Freq. Range (Hz)	f. \sim 4500
Sound Pressure Level (dB/1m, 1w)	86 \pm 3
Weight (g)	61
Operating Temperature ($^{\circ}$ C)	-10 \sim +40



YD70-5

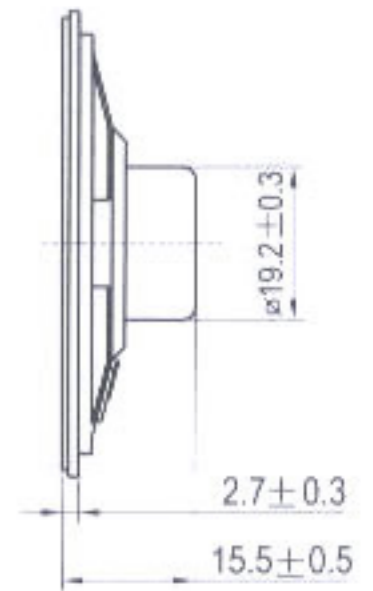
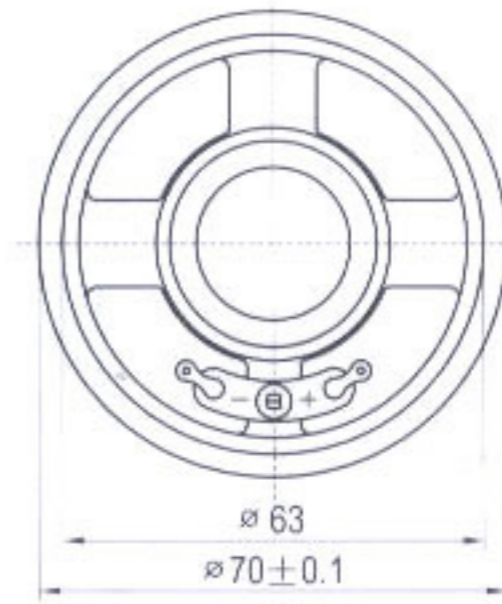
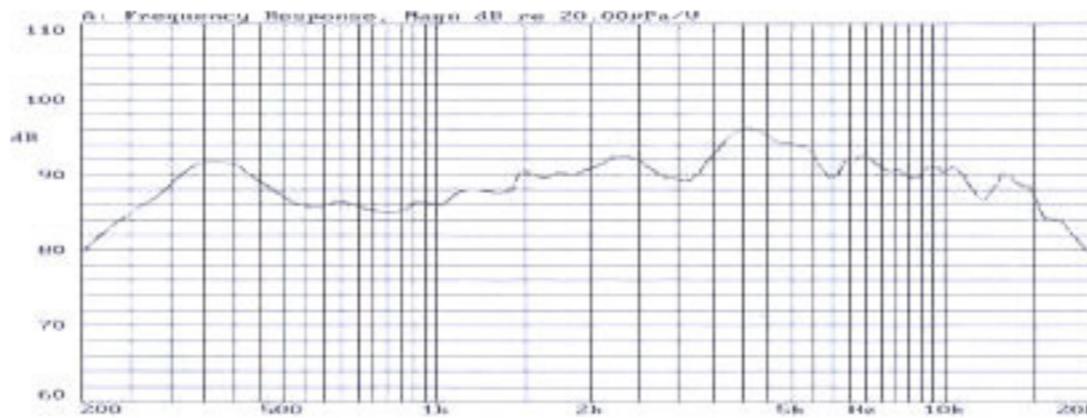
Rated Impedance (Ω)	8 \pm 15%
Rated (Max) Power (W)	5 (7)
Resonance Frequency (Hz)	155 \pm 20%
Rated Freq. Range (Hz)	f. \sim 20000
Sound Pressure Level (dB/1m, 1w)	85 \pm 2
Weight (g)	230
Operating Temperature ($^{\circ}$ C)	-10 \sim +40





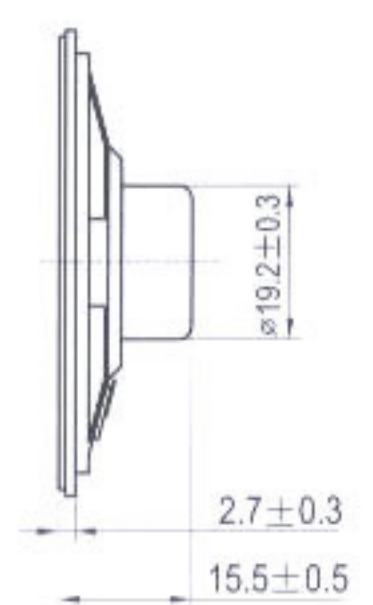
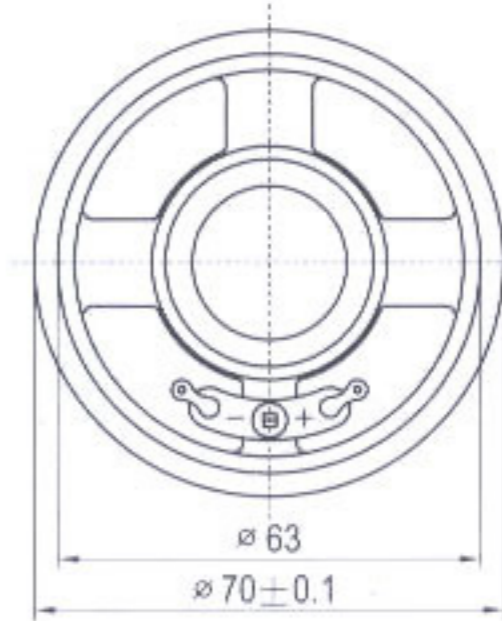
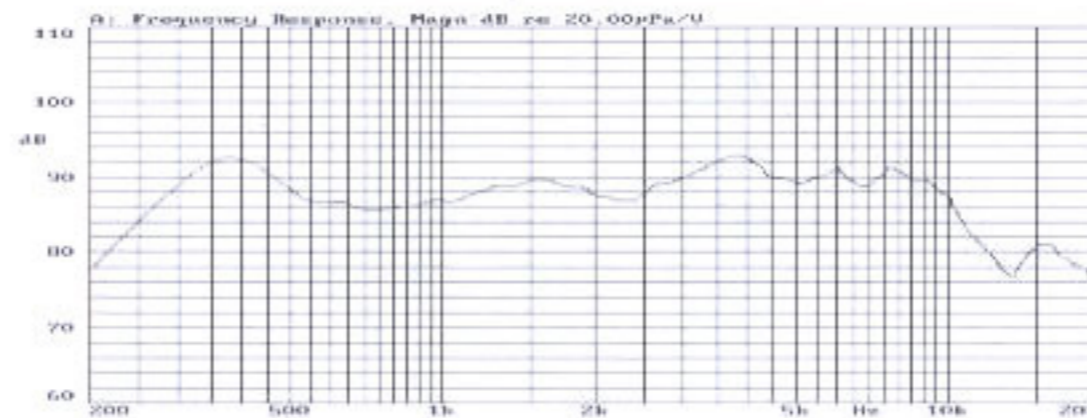
YD70-10

Rated Impedance (Ω)	$8 \pm 15\%$
Rated (Max) Power (W)	1 (2)
Resonance Frequency (Hz)	$280 \pm 20\%$
Rated Freq. Range (Hz)	$f_c \sim 5000$
Sound Pressure Level (dB/1m, 1w)	86 ± 3
Weight (g)	27
Operating Temperature ($^{\circ}\text{C}$)	$-10 \sim +40$



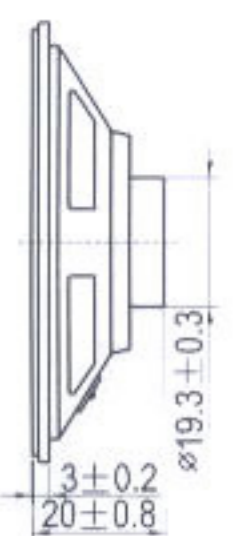
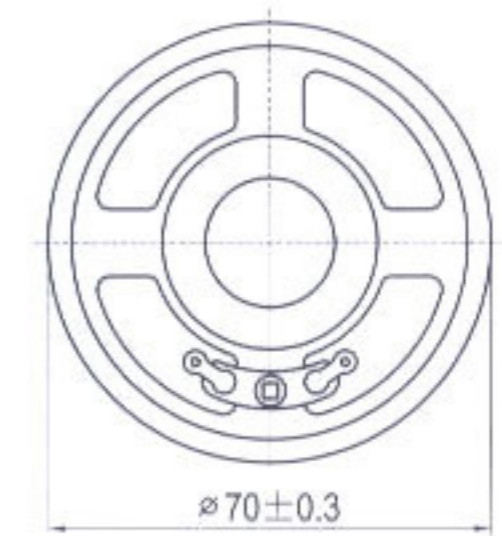
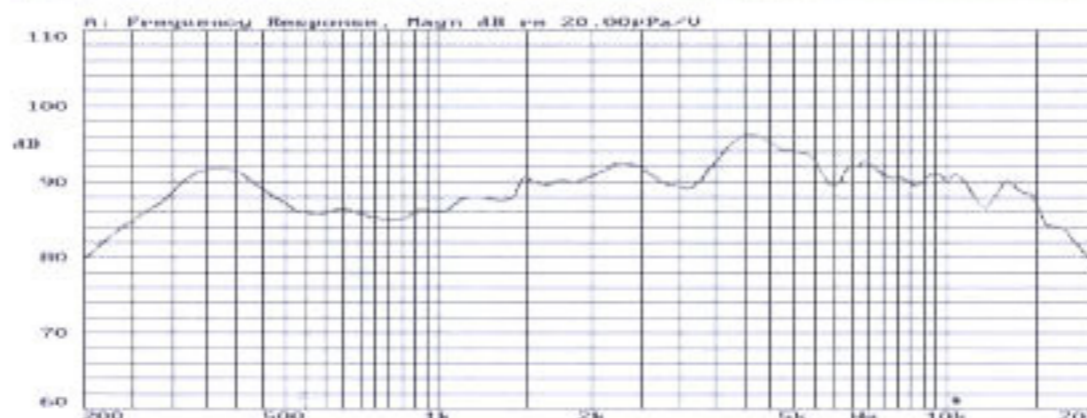
YD70-10B

Rated Impedance (Ω)	$8 \pm 15\%$
Rated (Max) Power (W)	1 (2)
Resonance Frequency (Hz)	$320 \pm 20\%$
Rated Freq. Range (Hz)	$f_c \sim 3500$
Sound Pressure Level (dB/1m, 1w)	85 ± 3
Weight (g)	27
Operating Temperature ($^{\circ}\text{C}$)	$-10 \sim +40$



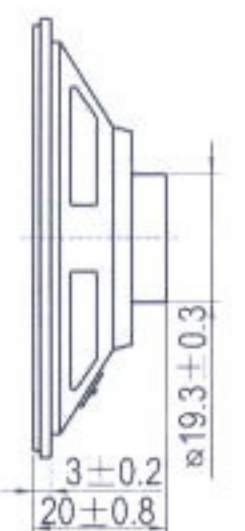
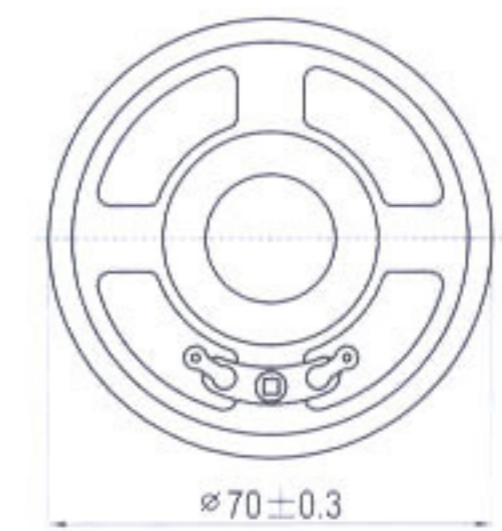
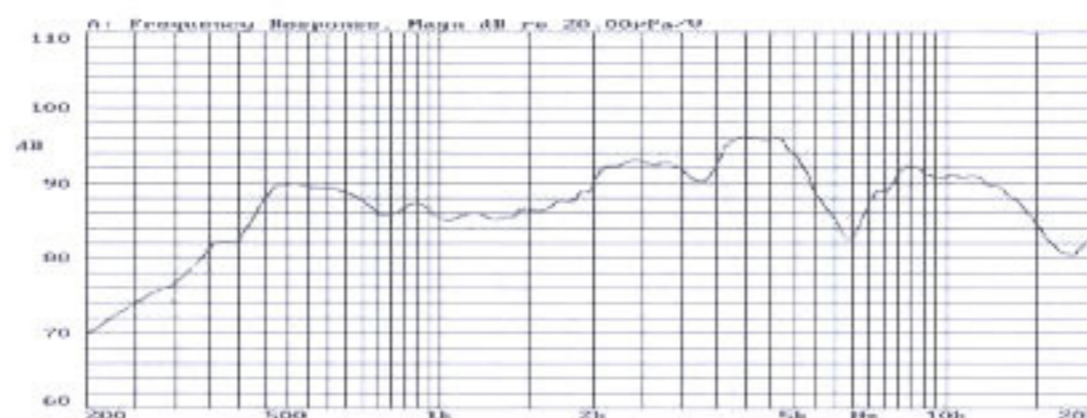
YD70-11

Rated Impedance (Ω)	$25 \pm 15\%$
Rated (Max) Power (W)	0.5 (1)
Resonance Frequency (Hz)	$260 \pm 20\%$
Rated Freq. Range (Hz)	$f_c \sim 5000$
Sound Pressure Level (dB/1m, 1w)	85 ± 3
Weight (g)	29
Operating Temperature ($^{\circ}\text{C}$)	$-10 \sim +40$



YD70-11B

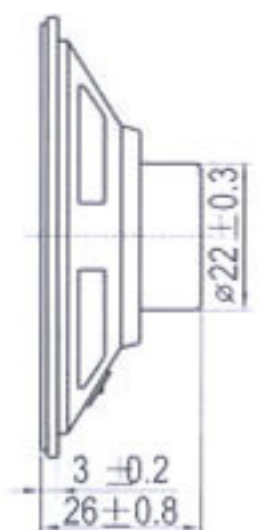
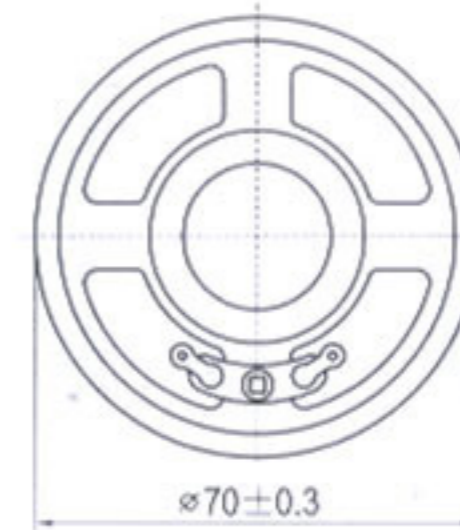
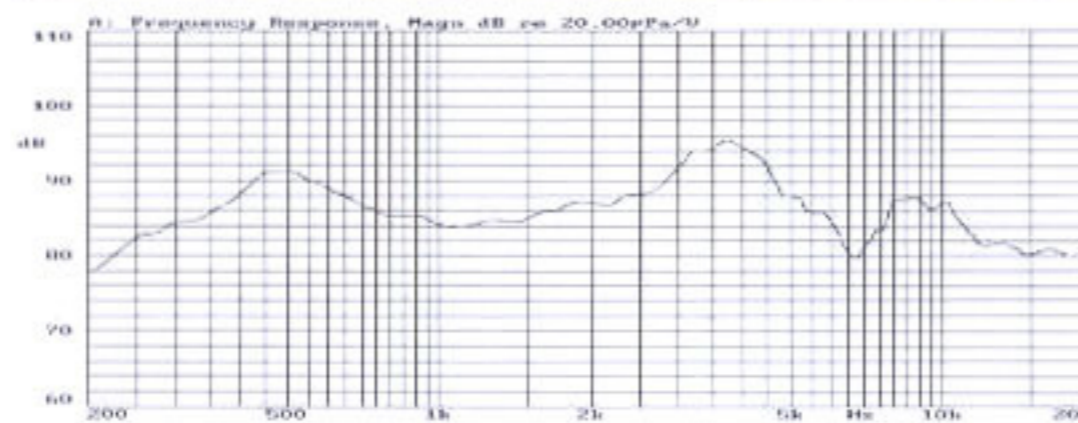
Rated Impedance (Ω)	$50 \pm 15\%$
Rated (Max) Power (W)	0.5 (1)
Resonance Frequency (Hz)	$400 \pm 20\%$
Rated Freq. Range (Hz)	$f_c \sim 5000$
Sound Pressure Level (dB/1m, 1w)	85 ± 2
Weight (g)	29
Operating Temperature ($^{\circ}\text{C}$)	$-10 \sim +40$





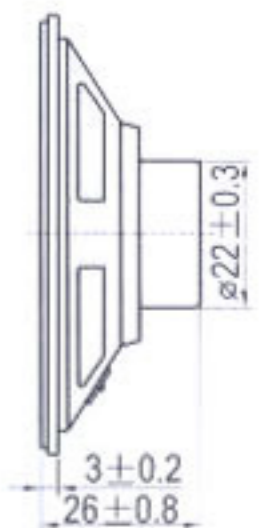
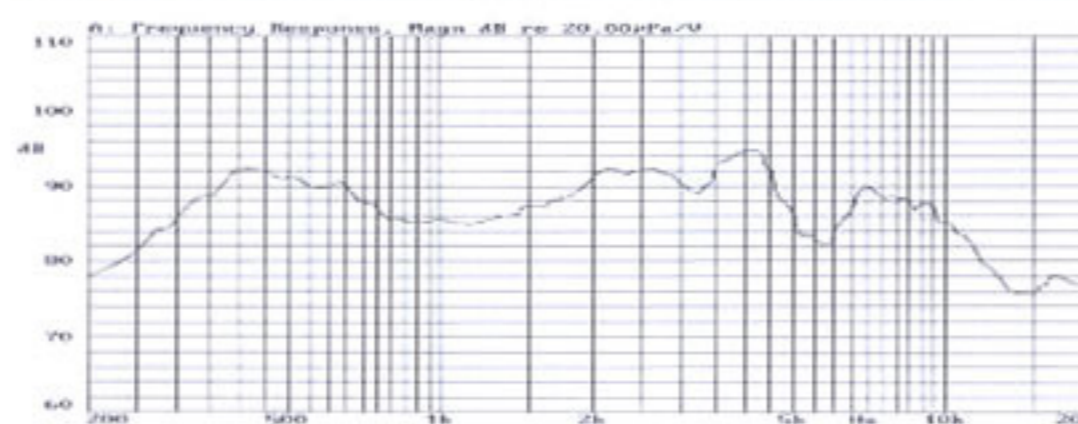
YD70-12

Rated Impedance (Ω)	$8 \pm 15\%$
Rated (Max) Power (W)	0.5 (1)
Resonance Frequency (Hz)	$300 \pm 20\%$
Rated Freq. Range (Hz)	$f_s \sim 5000$
Sound Pressure Level (dB/1m, 1w)	85 ± 3
Weight (g)	39
Operating Temperature ($^{\circ}\text{C}$)	$-10 \sim +40$



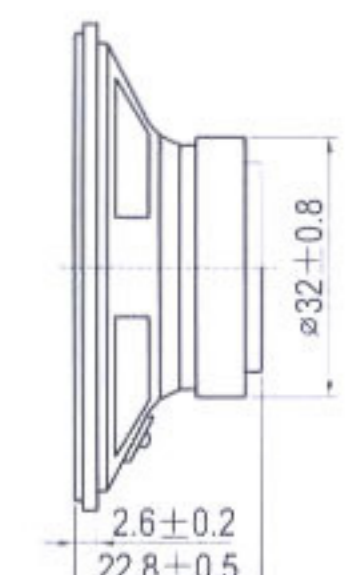
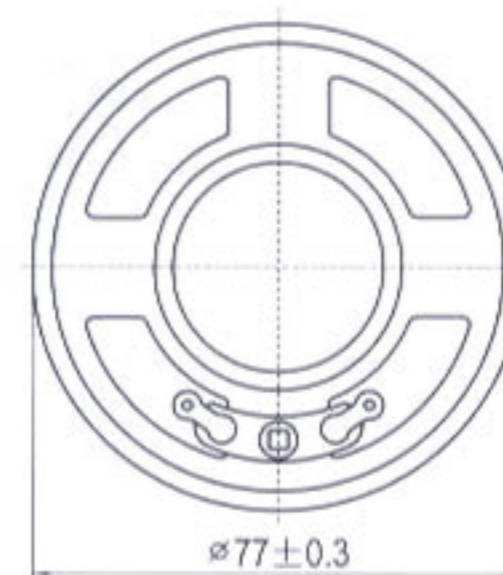
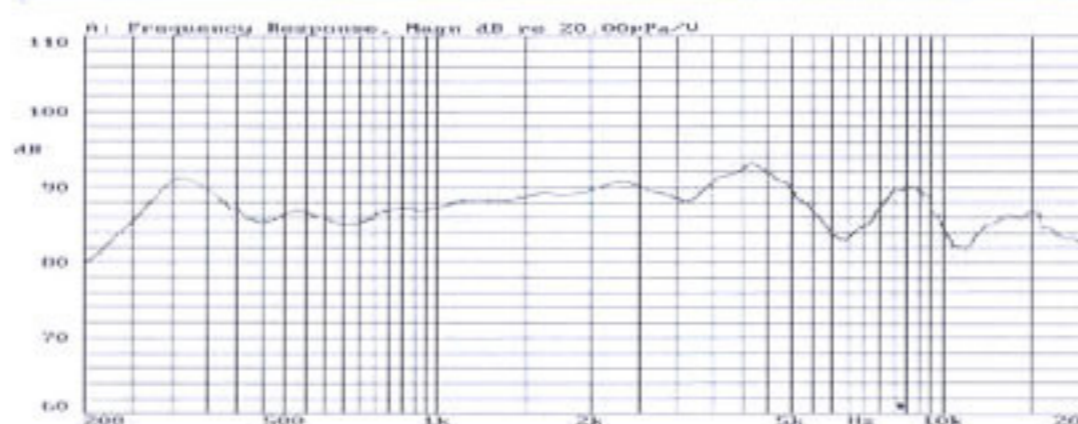
YD70-12B

Rated Impedance (Ω)	$8 \pm 15\%$
Rated (Max) Power (W)	0.5 (1)
Resonance Frequency (Hz)	$400 \pm 20\%$
Rated Freq. Range (Hz)	$f_s \sim 5000$
Sound Pressure Level (dB/1m, 1w)	85 ± 2
Weight (g)	39
Operating Temperature ($^{\circ}\text{C}$)	$-10 \sim +40$



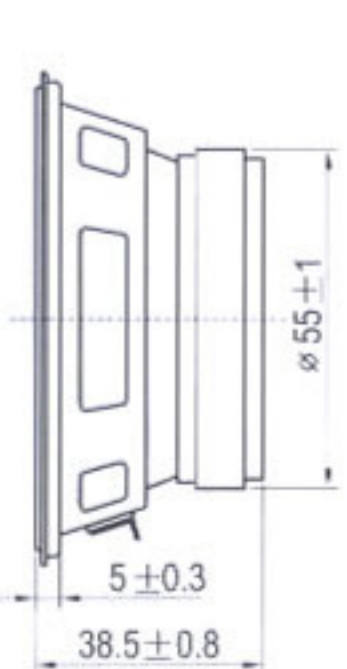
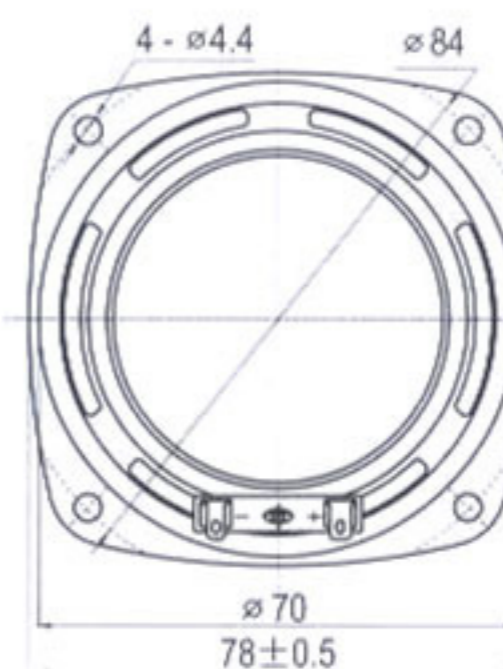
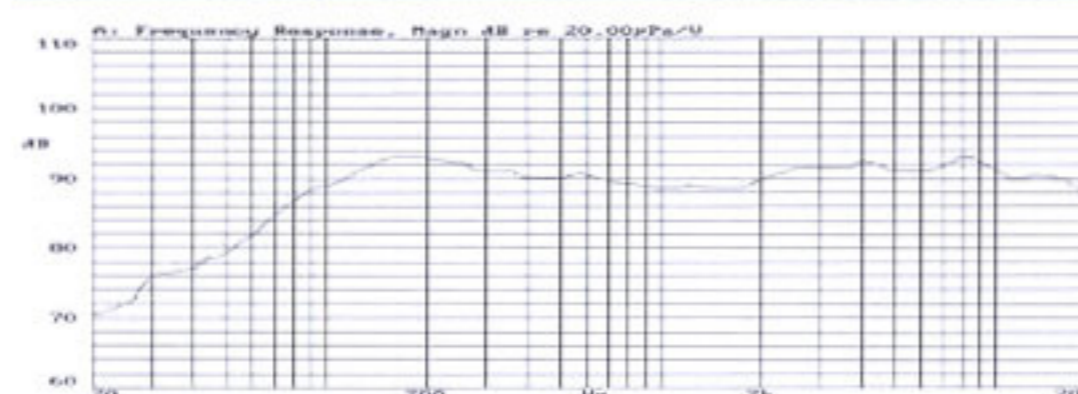
YD78-1

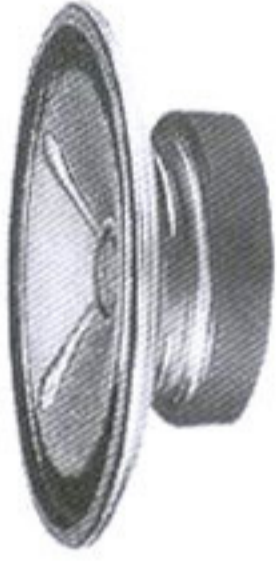
Rated Impedance (Ω)	$8 \pm 15\%$
Rated (Max) Power (W)	0.5 (1)
Resonance Frequency (Hz)	$260 \pm 20\%$
Rated Freq. Range (Hz)	$f_s \sim 5000$
Sound Pressure Level (dB/1m, 1w)	86 ± 2
Weight (g)	58
Operating Temperature ($^{\circ}\text{C}$)	$-10 \sim +40$



YD78-4

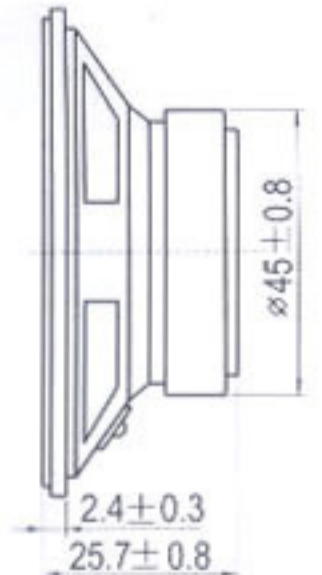
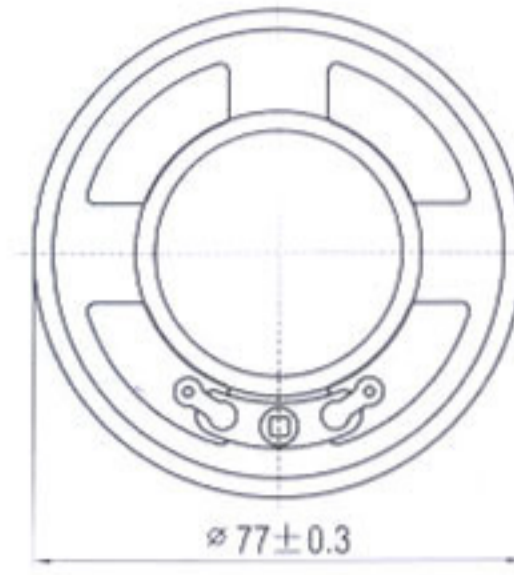
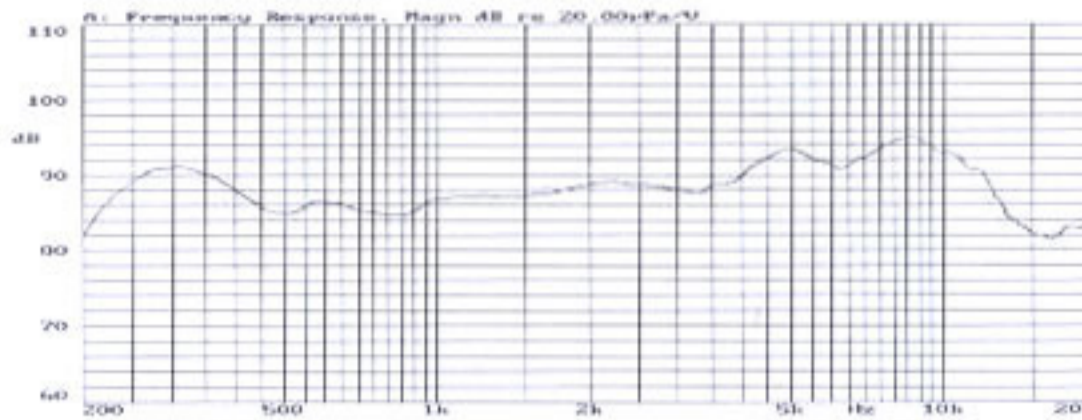
Rated Impedance (Ω)	$8 \pm 15\%$
Rated (Max) Power (W)	5 (10)
Resonance Frequency (Hz)	$155 \pm 20\%$
Rated Freq. Range (Hz)	$f_s \sim 15000$
Sound Pressure Level (dB/1m, 1w)	89 ± 3
Weight (g)	220
Operating Temperature ($^{\circ}\text{C}$)	$-10 \sim +40$





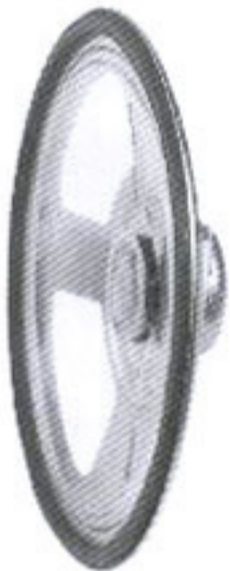
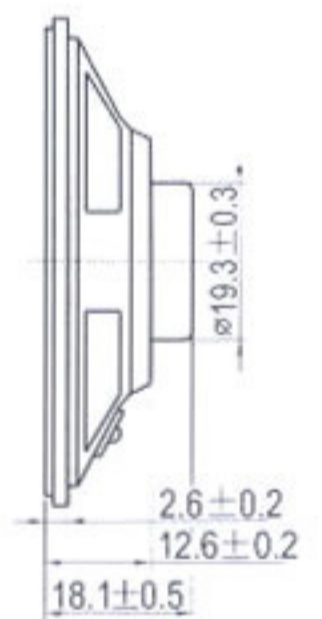
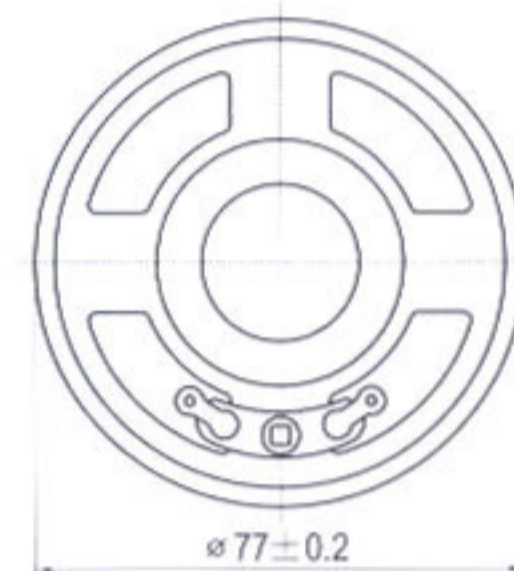
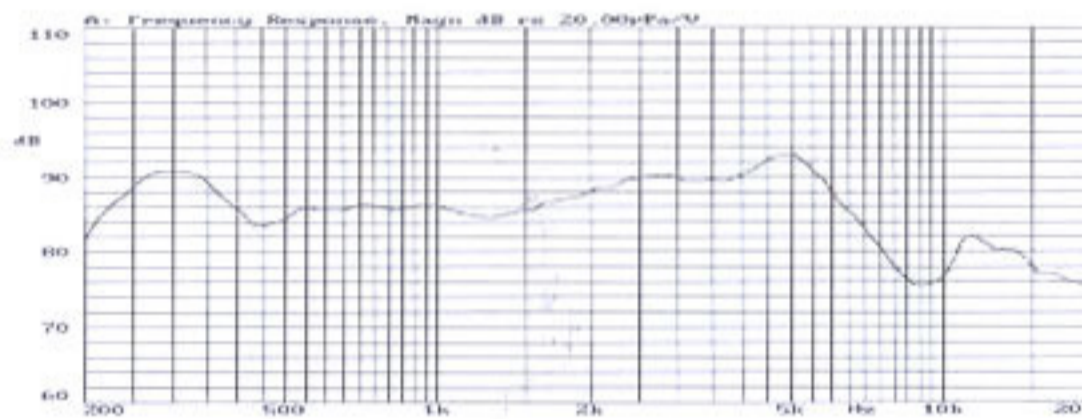
YD78-8

Rated Impedance (Ω)	$8 \pm 15\%$
Rated (Max) Power (W)	3 (5)
Resonance Frequency (Hz)	$230 \pm 20\%$
Rated Freq. Range (Hz)	$f_c \sim 15000$
Sound Pressure Level (dB/1m, 1w)	87 ± 2
Weight (g)	125
Operating Temperature ($^{\circ}\text{C}$)	$-10 \sim +40$



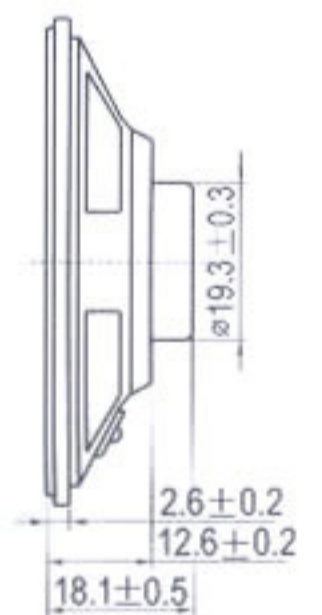
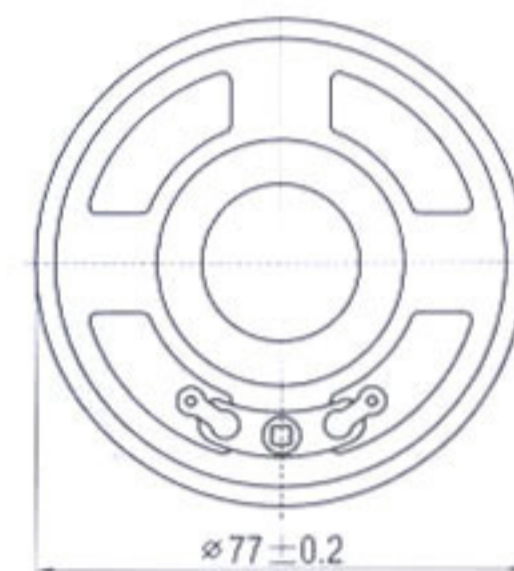
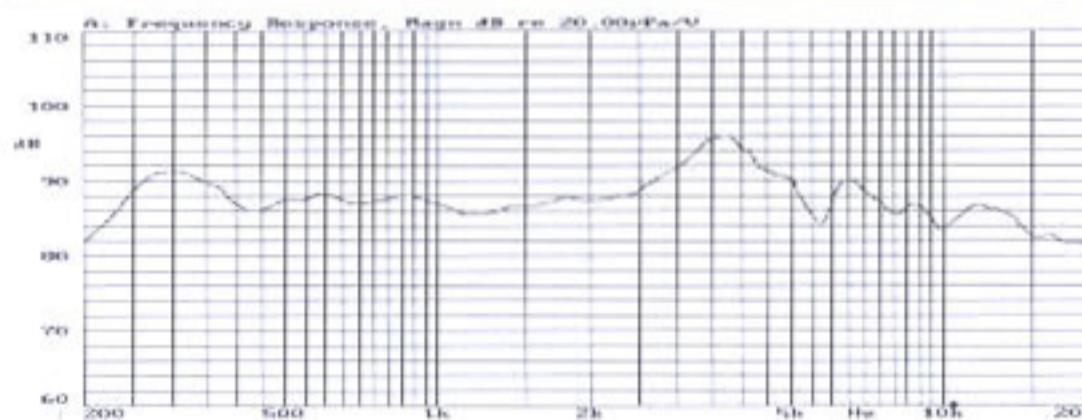
YD78-11

Rated Impedance (Ω)	$8 \pm 15\%$
Rated (Max) Power (W)	0.5 (1)
Resonance Frequency (Hz)	$260 \pm 20\%$
Rated Freq. Range (Hz)	$f_c \sim 5000$
Sound Pressure Level (dB/1m, 1w)	87 ± 2
Weight (g)	30
Operating Temperature ($^{\circ}\text{C}$)	$-10 \sim +40$



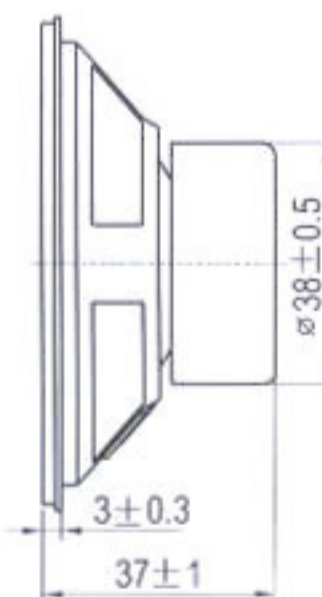
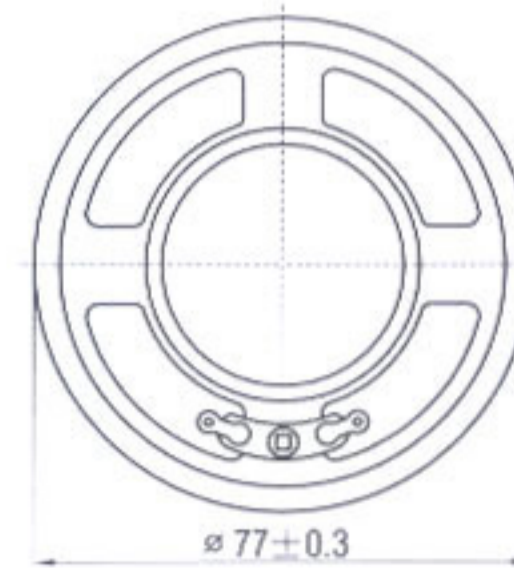
YD78-11B

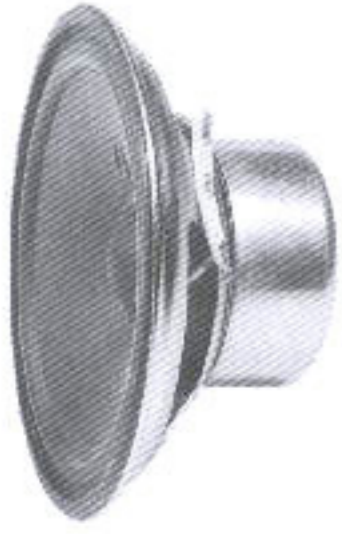
Rated Impedance (Ω)	$8 \pm 15\%$
Rated (Max) Power (W)	0.5 (1)
Resonance Frequency (Hz)	$260 \pm 20\%$
Rated Freq. Range (Hz)	$f_c \sim 5000$
Sound Pressure Level (dB/1m, 1w)	87 ± 3
Weight (g)	30
Operating Temperature ($^{\circ}\text{C}$)	$-10 \sim +40$



YD78-12

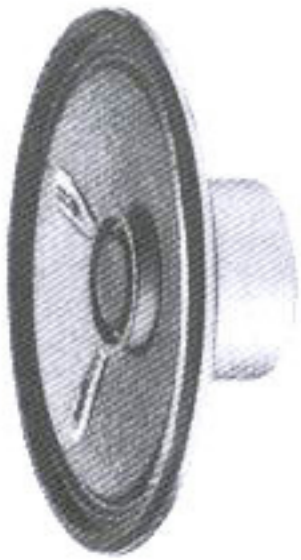
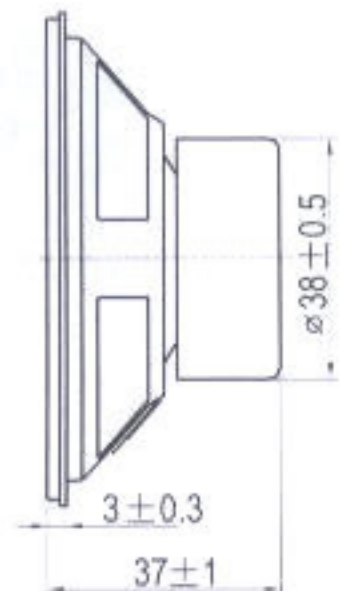
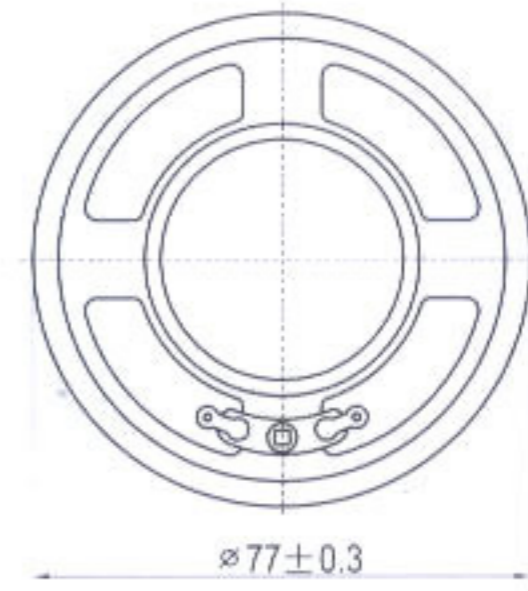
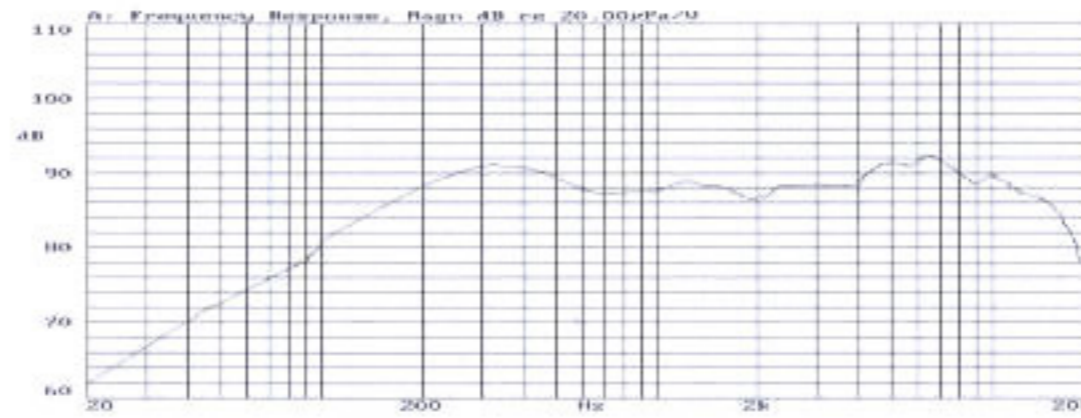
Rated Impedance (Ω)	$8 \pm 15\%$
Rated (Max) Power (W)	2 (3)
Resonance Frequency (Hz)	$250 \pm 20\%$
Rated Freq. Range (Hz)	$f_c \sim 12000$
Sound Pressure Level (dB/1m, 1w)	85 ± 3
Weight (g)	109
Operating Temperature ($^{\circ}\text{C}$)	$-10 \sim +40$





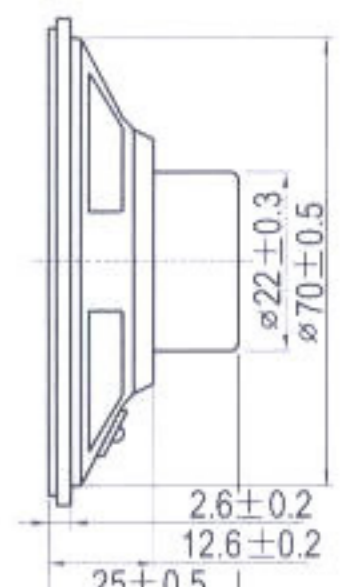
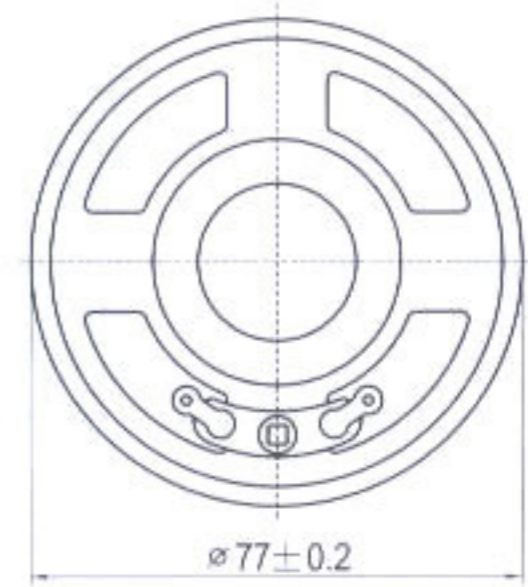
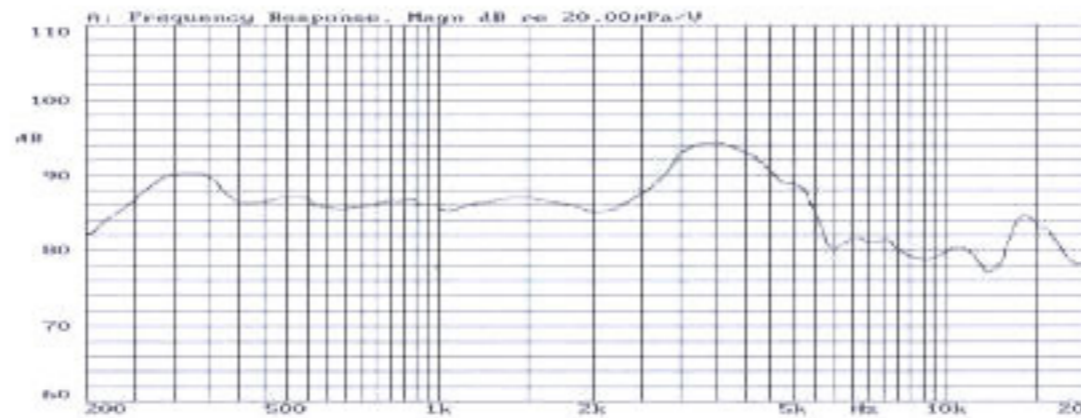
YD78-12/P

Rated Impedance (Ω)	$8 \pm 15\%$
Rated (Max) Power (W)	10 (15)
Resonance Frequency (Hz)	$260 \pm 20\%$
Rated Freq. Range (Hz)	$f_s \sim 12000$
Sound Pressure Level (dB/1m, 1w)	87 ± 3
Weight (g)	109
Operating Temperature ($^{\circ}\text{C}$)	$-10 \sim +40$



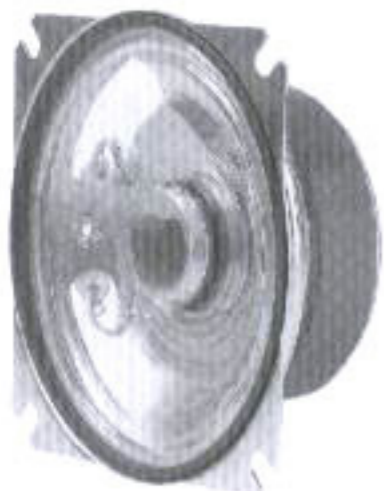
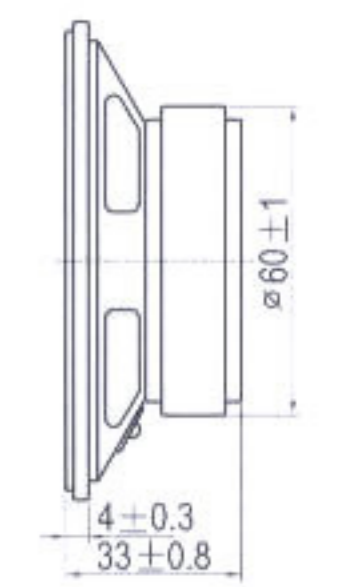
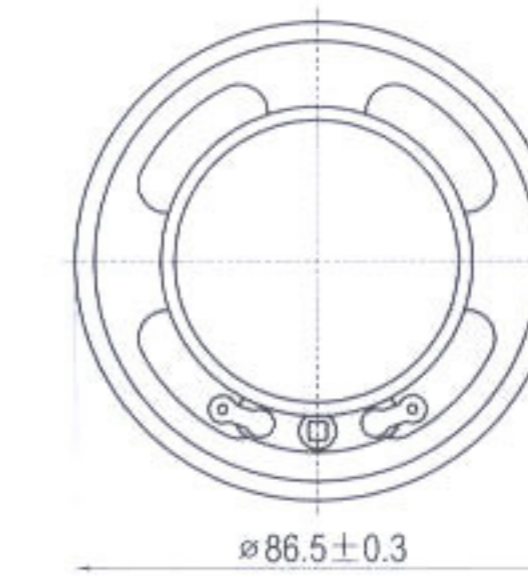
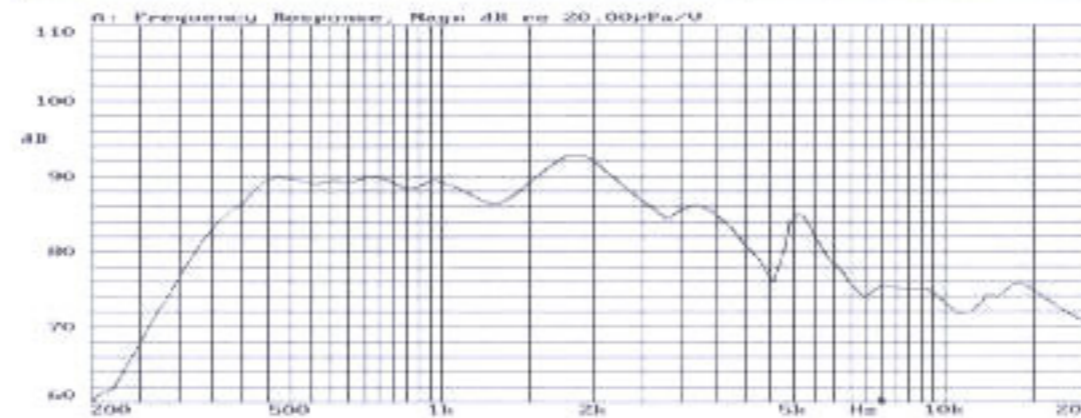
YD78-13

Rated Impedance (Ω)	$8 \pm 15\%$
Rated (Max) Power (W)	0.5 (1)
Resonance Frequency (Hz)	$260 \pm 20\%$
Rated Freq. Range (Hz)	$f_s \sim 5000$
Sound Pressure Level (dB/1m, 1w)	87 ± 2
Weight (g)	40
Operating Temperature ($^{\circ}\text{C}$)	$-10 \sim +40$



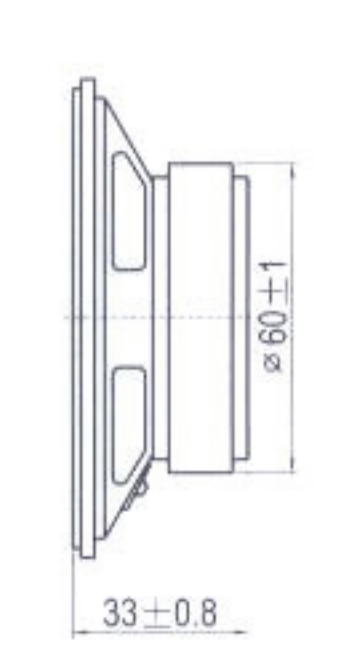
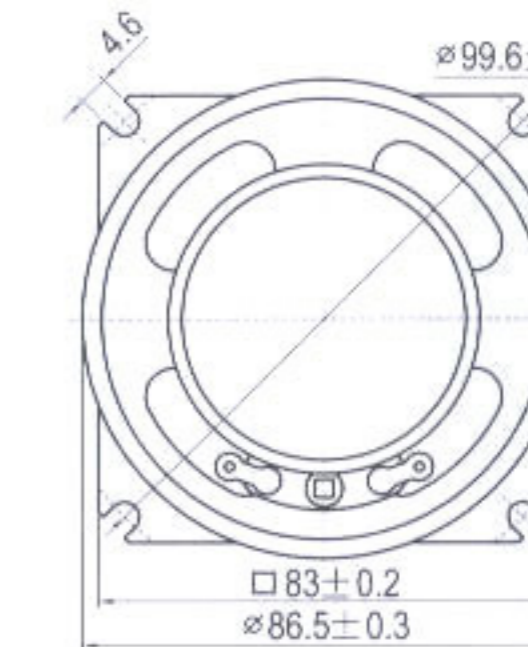
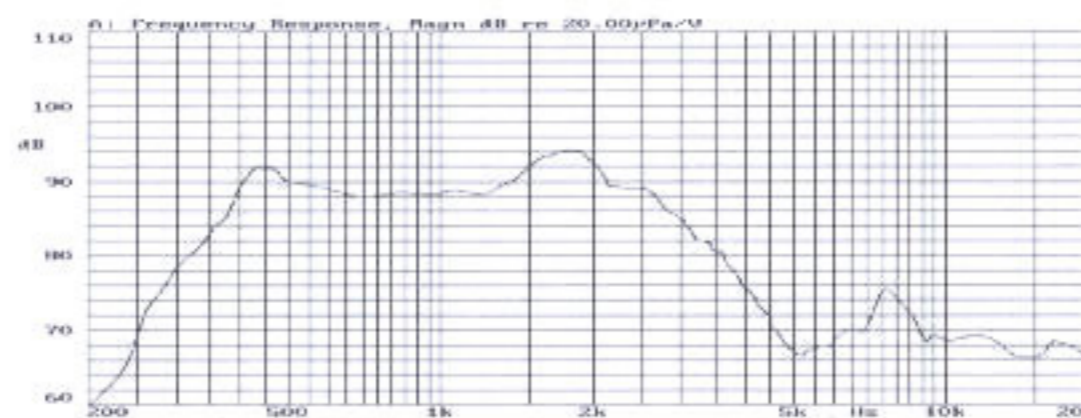
YD87-1B

Rated Impedance (Ω)	$8 \pm 15\%$
Rated (Max) Power (W)	3 (5)
Resonance Frequency (Hz)	$450 \pm 20\%$
Rated Freq. Range (Hz)	$f_s \sim 2000$
Sound Pressure Level (dB/1m, 1w)	90 ± 2
Weight (g)	330
Operating Temperature ($^{\circ}\text{C}$)	$-10 \sim +40$



YD87-2B

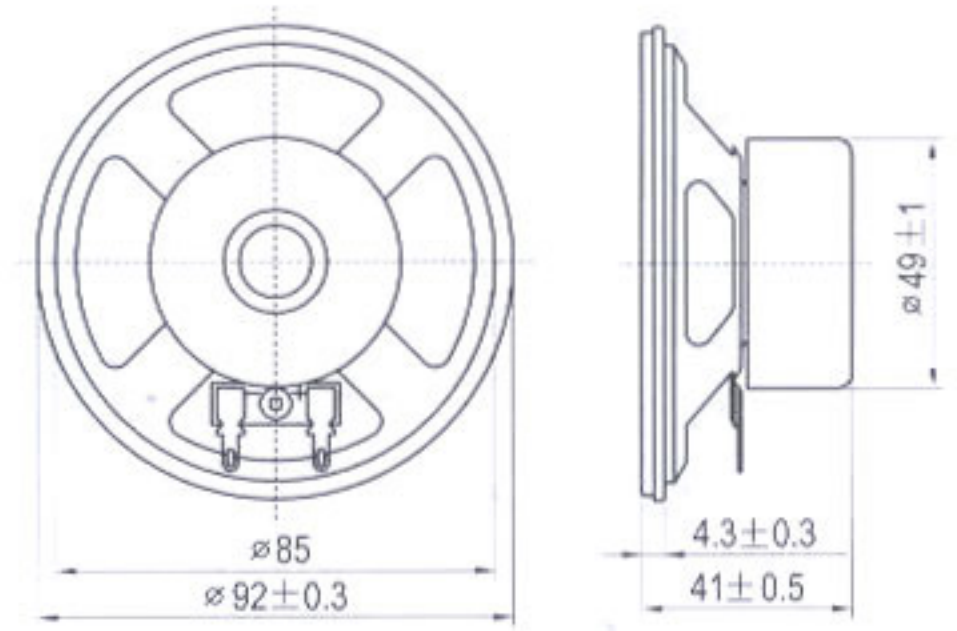
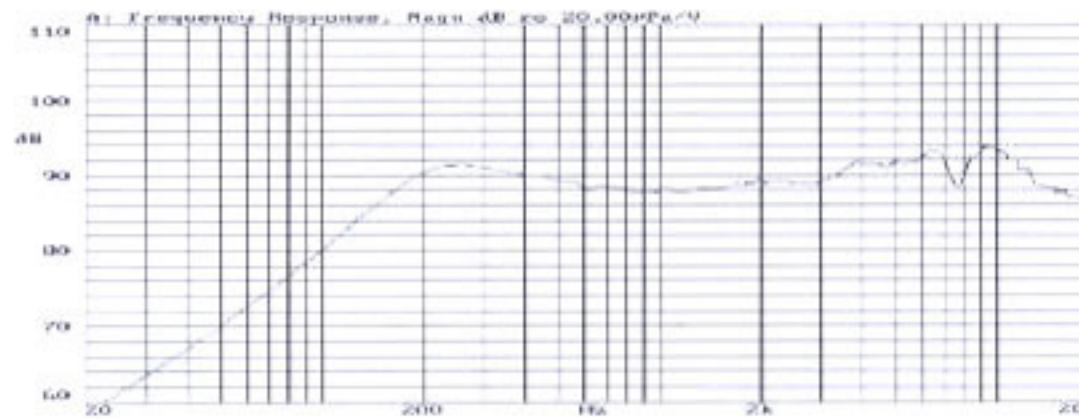
Rated Impedance (Ω)	$8 \pm 15\%$
Rated (Max) Power (W)	3 (5)
Resonance Frequency (Hz)	$450 \pm 20\%$
Rated Freq. Range (Hz)	$f_s \sim 2000$
Sound Pressure Level (dB/1m, 1w)	90 ± 2
Weight (g)	330
Operating Temperature ($^{\circ}\text{C}$)	$-10 \sim +40$





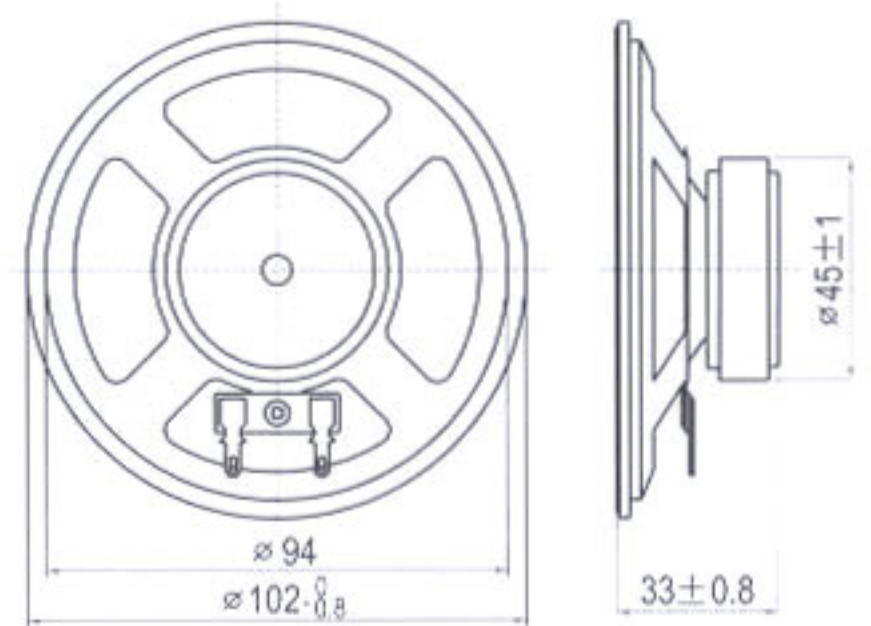
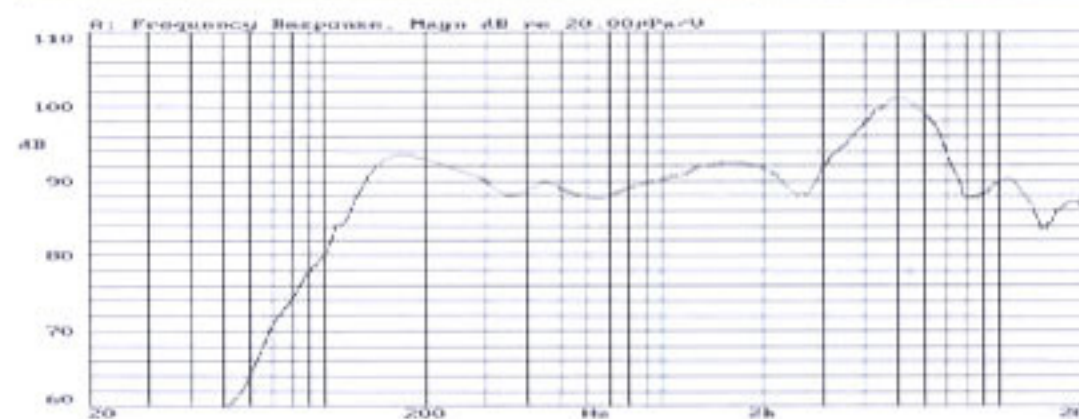
YD93-11

Rated Impedance (Ω)	$8 \pm 15\%$
Rated (Max) Power (W)	3 (5)
Resonance Frequency (Hz)	$180 \pm 20\%$
Rated Freq. Range (Hz)	f.~15000
Sound Pressure Level (dB/1m, 1w)	87 ± 2
Weight (g)	183
Operating Temperature ($^{\circ}\text{C}$)	-10~+40



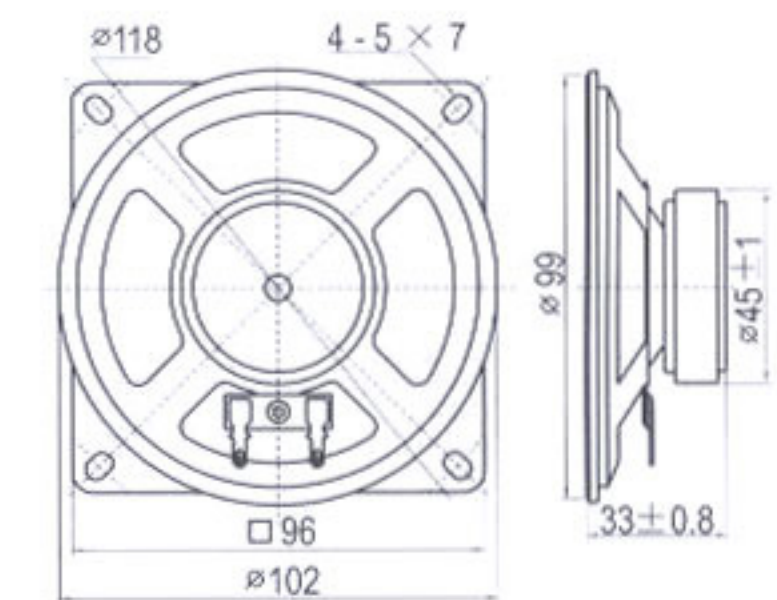
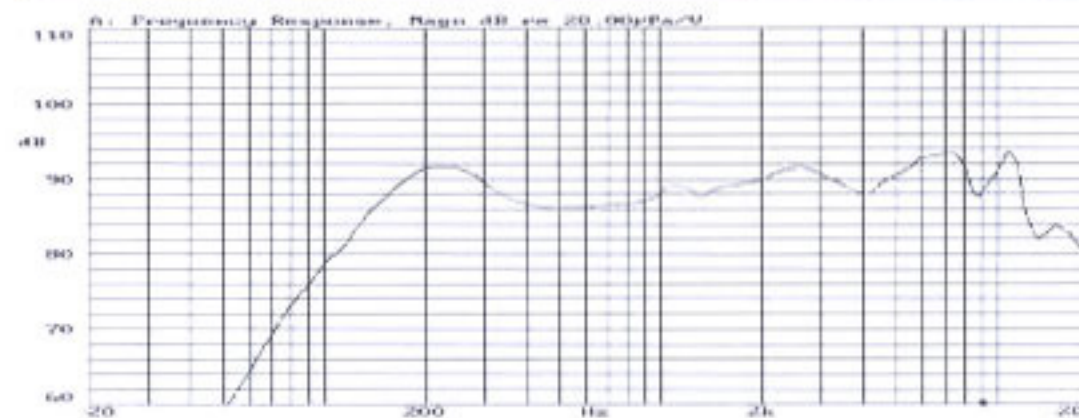
YD100-2

Rated Impedance (Ω)	$8 \pm 15\%$
Rated (Max) Power (W)	3 (5)
Resonance Frequency (Hz)	$150 \pm 20\%$
Rated Freq. Range (Hz)	f.~8000
Sound Pressure Level (dB/1m, 1w)	90 ± 3
Weight (g)	152
Operating Temperature ($^{\circ}\text{C}$)	-10~+40



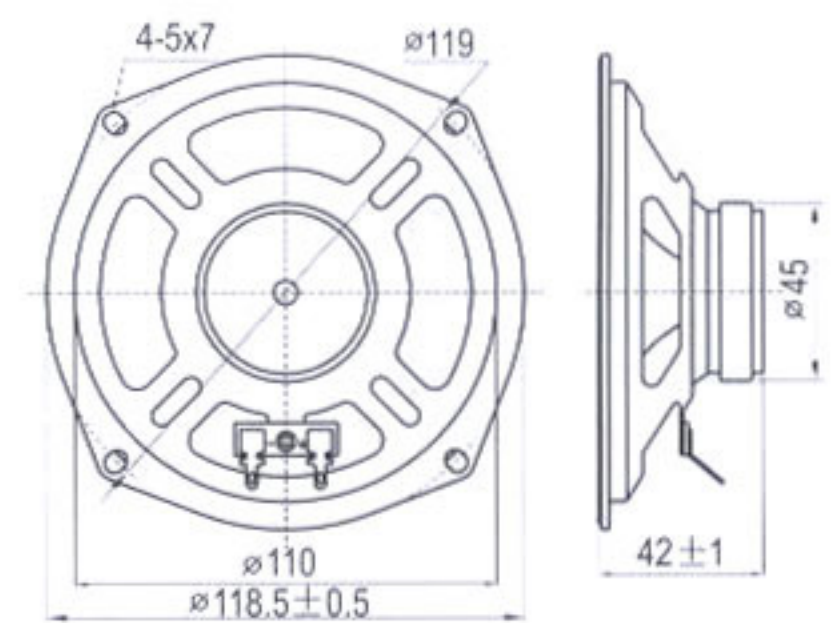
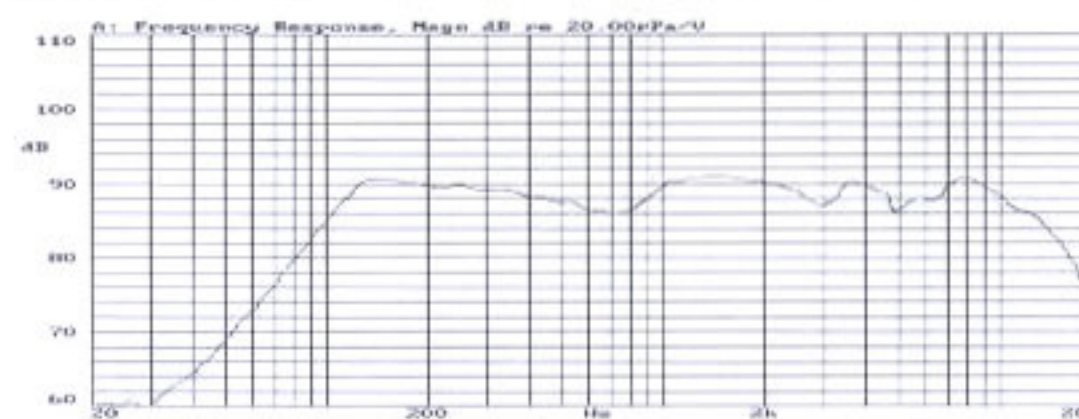
YD100-3

Rated Impedance (Ω)	$8 \pm 15\%$
Rated (Max) Power (W)	3 (5)
Resonance Frequency (Hz)	$150 \pm 20\%$
Rated Freq. Range (Hz)	f.~8000
Sound Pressure Level (dB/1m, 1w)	90 ± 3
Weight (g)	159
Operating Temperature ($^{\circ}\text{C}$)	-10~+40



YD120-1

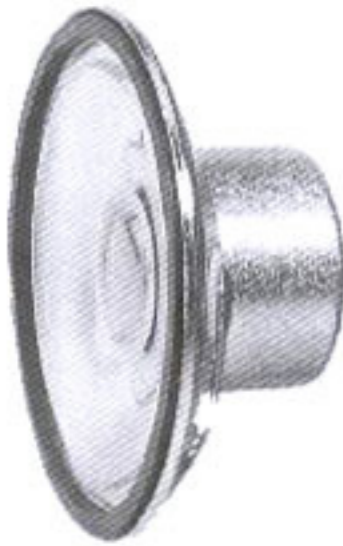
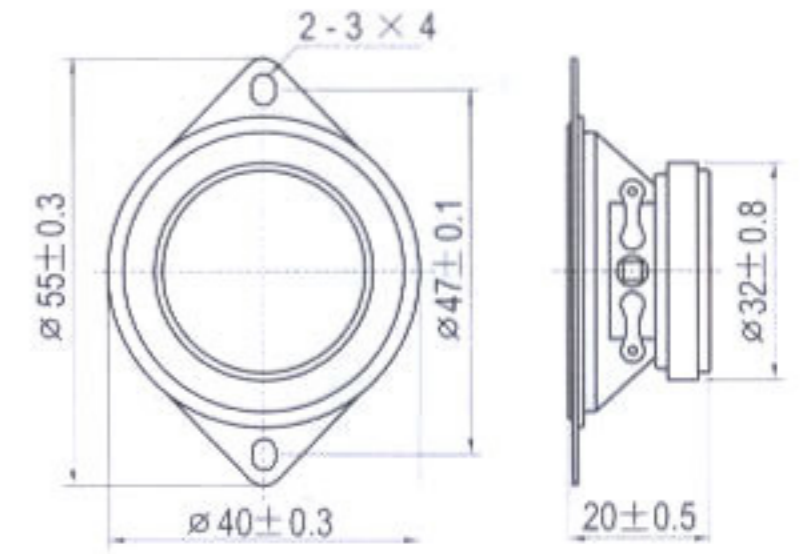
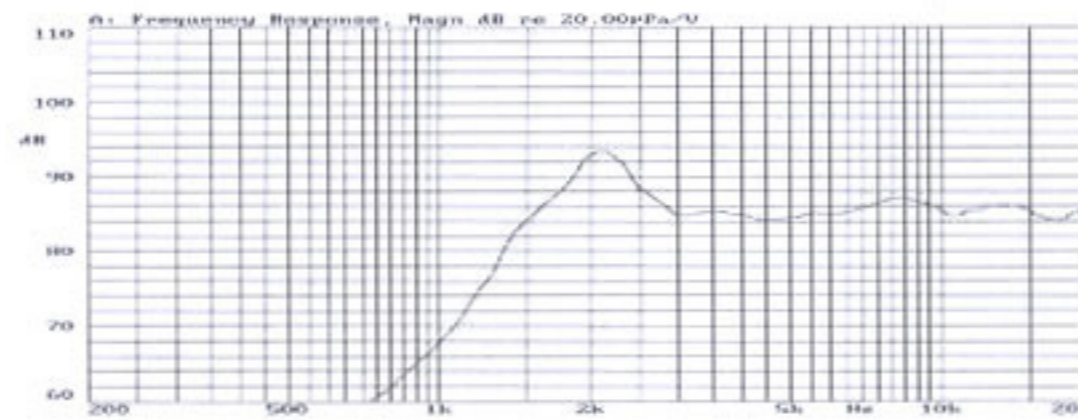
Rated Impedance (Ω)	$8 \pm 15\%$
Rated (Max) Power (W)	3 (5)
Resonance Frequency (Hz)	$125 \pm 20\%$
Rated Freq. Range (Hz)	f.~13000
Sound Pressure Level (dB/1m, 1w)	90 ± 2
Weight (g)	158
Operating Temperature ($^{\circ}\text{C}$)	-10~+40





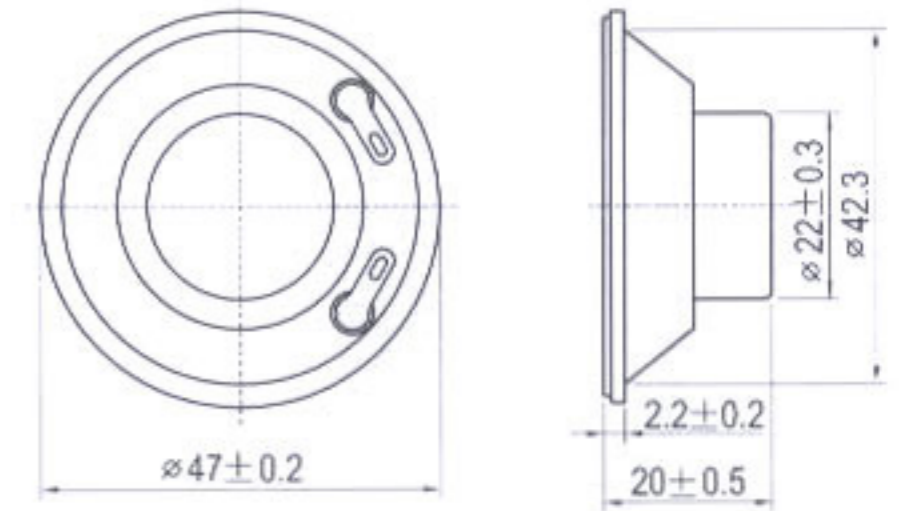
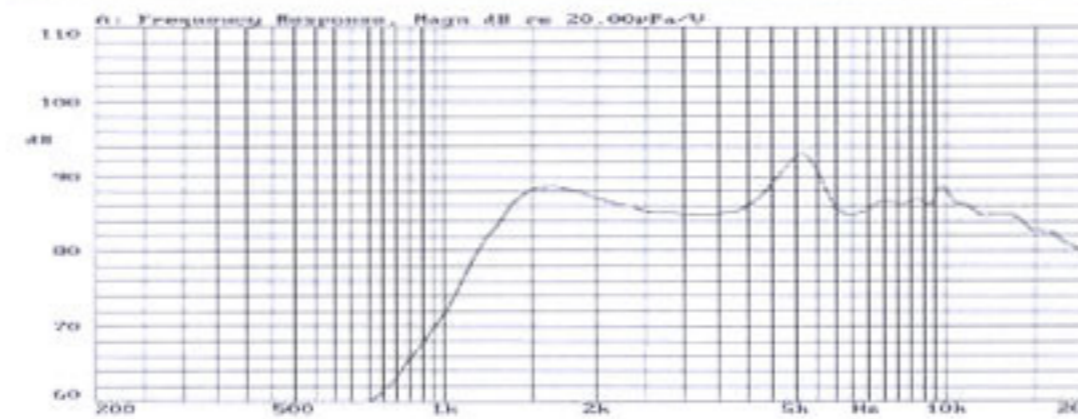
YDG40-1

Rated Impedance (Ω)	$8 \pm 15\%$
Rated (Max) Power (W)	5 (10)
Resonance Frequency (Hz)	≥ 2000
Rated Freq. Range (Hz)	$f_s \sim 18000$
Sound Pressure Level (dB/1m, 1w)	85 ± 3
Weight (g)	50
Operating Temperature ($^{\circ}\text{C}$)	$-10 \sim +40$



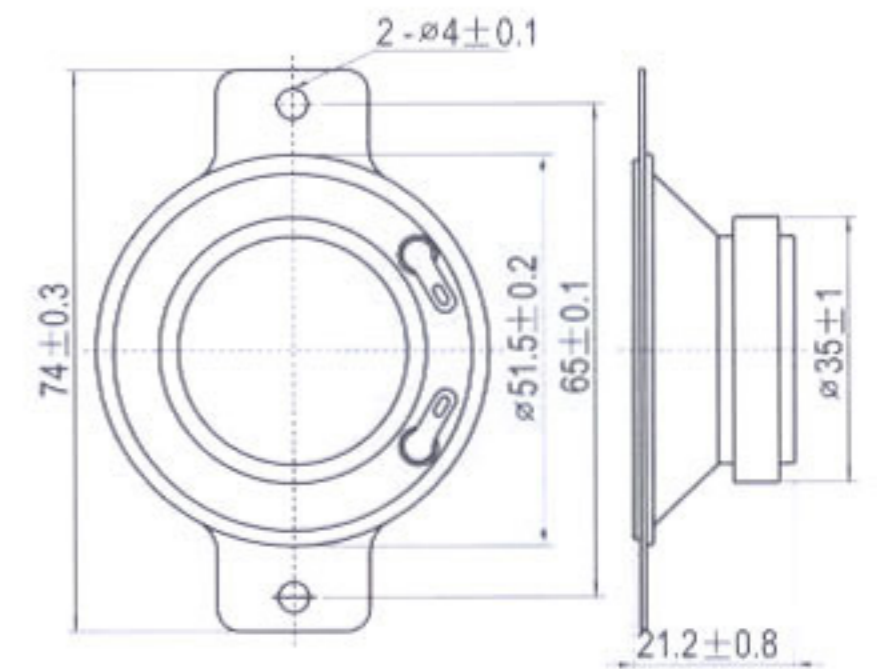
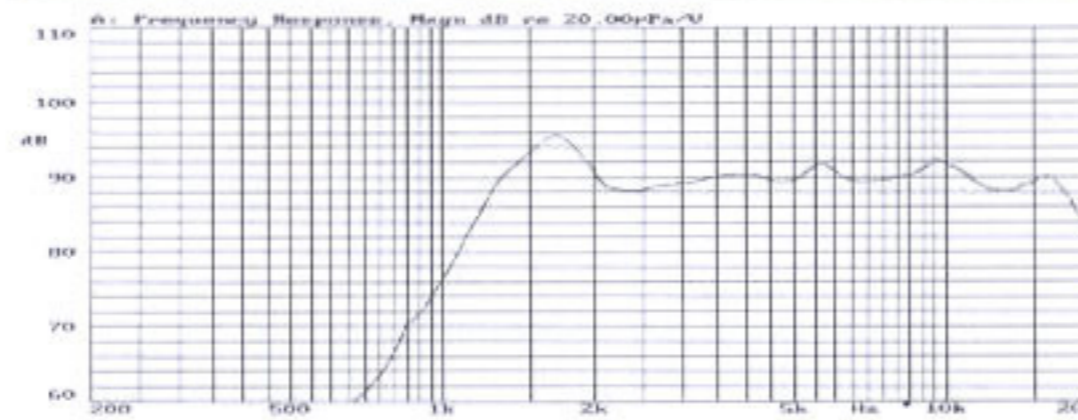
YDG47-11B

Rated Impedance (Ω)	$22 \pm 15\%$
Rated (Max) Power (W)	1 (2)
Resonance Frequency (Hz)	≥ 2000
Rated Freq. Range (Hz)	$f_s \sim 15000$
Sound Pressure Level (dB/1m, 1w)	85 ± 3
Weight (g)	30
Operating Temperature ($^{\circ}\text{C}$)	$-10 \sim +40$



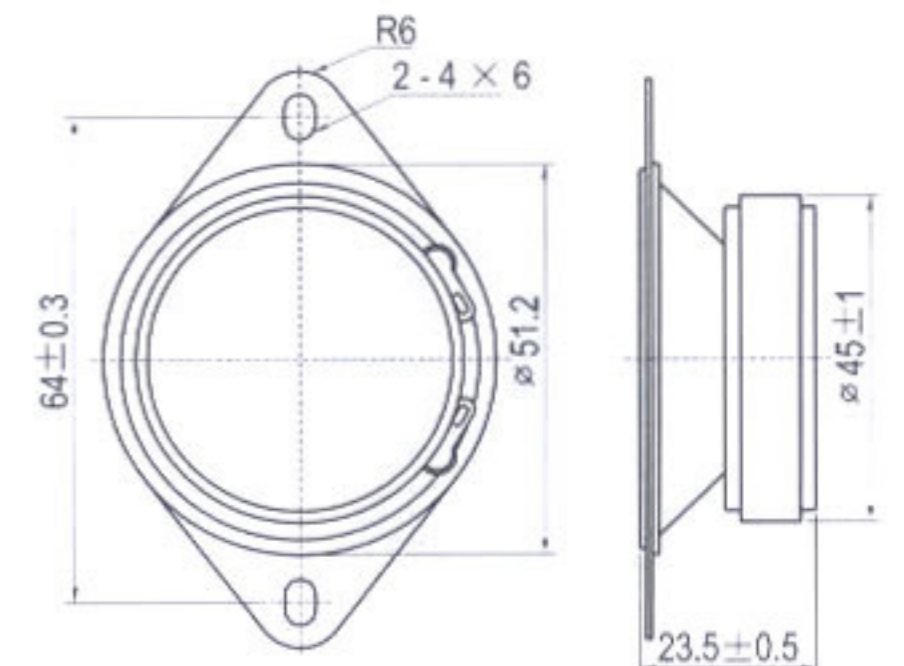
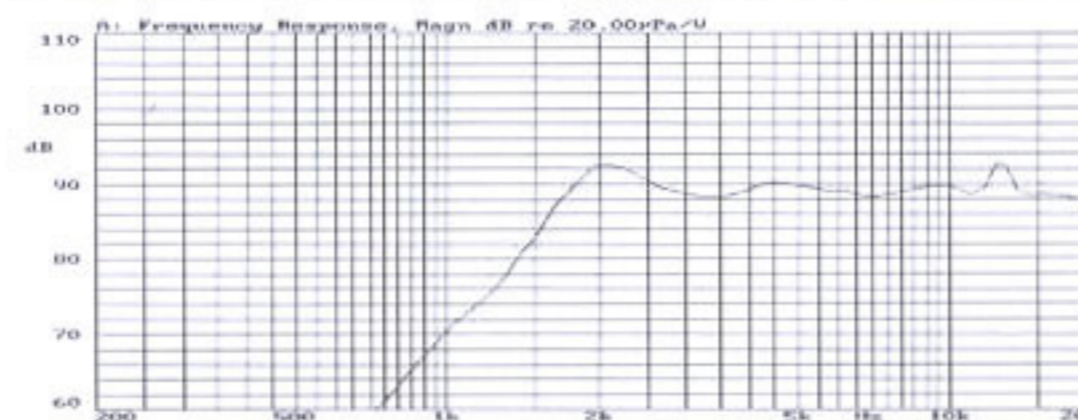
YDG50-2

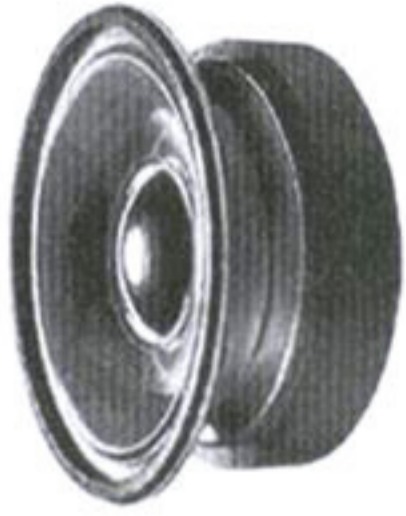
Rated Impedance (Ω)	$8 \pm 15\%$
Rated (Max) Power (W)	10 (20)
Resonance Frequency (Hz)	≥ 2000
Rated Freq. Range (Hz)	$f_s \sim 20000$
Sound Pressure Level (dB/1m, 1w)	90 ± 3
Weight (g)	63
Operating Temperature ($^{\circ}\text{C}$)	$-10 \sim +40$



YDG50-3

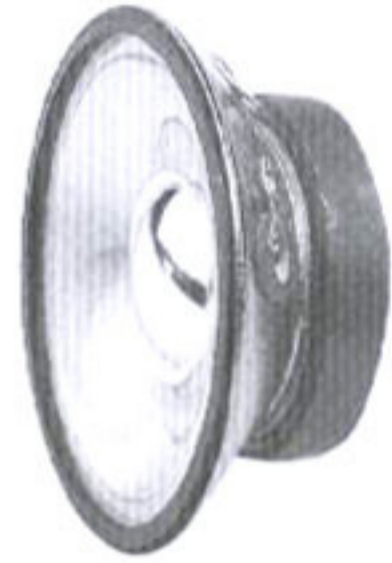
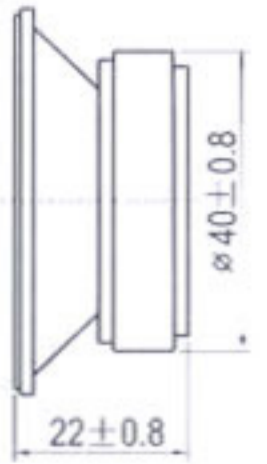
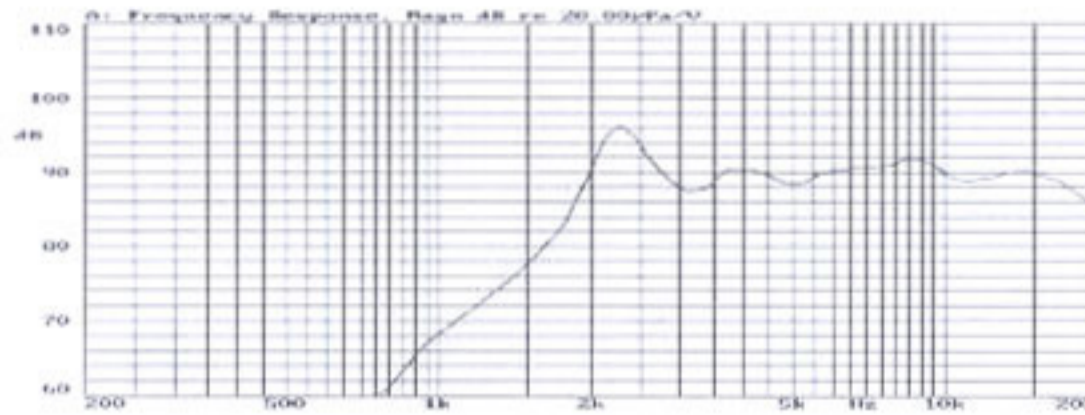
Rated Impedance (Ω)	$8 \pm 15\%$
Rated (Max) Power (W)	3 (5)
Resonance Frequency (Hz)	≥ 2000
Rated Freq. Range (Hz)	$f_s \sim 18000$
Sound Pressure Level (dB/1m, 1w)	90 ± 3
Weight (g)	110
Operating Temperature ($^{\circ}\text{C}$)	$-10 \sim +40$





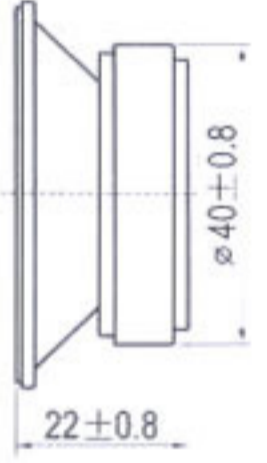
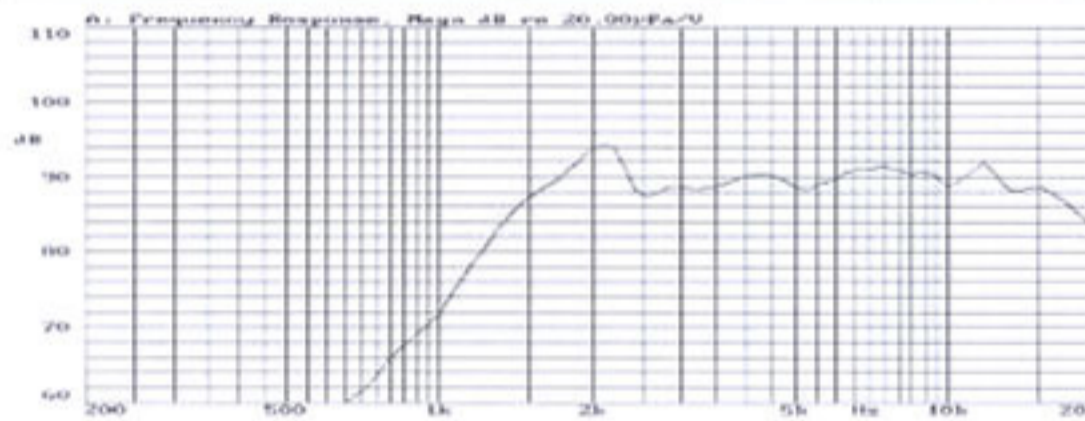
YDG50-4

Rated Impedance (Ω)	$8 \pm 15\%$
Rated (Max) Power (W)	3 (5)
Resonance Frequency (Hz)	≥ 2000
Rated Freq. Range (Hz)	f.-18000
Sound Pressure Level (dB/1m, 1w)	90 ± 3
Weight (g)	126
Operating Temperature ($^{\circ}\text{C}$)	-10~+40



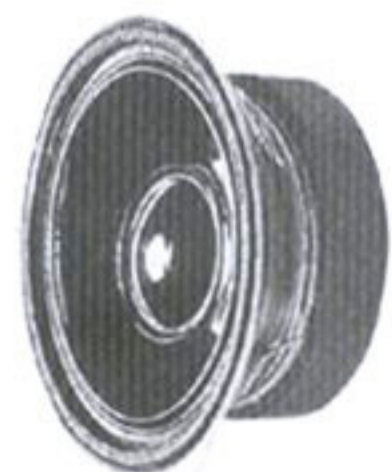
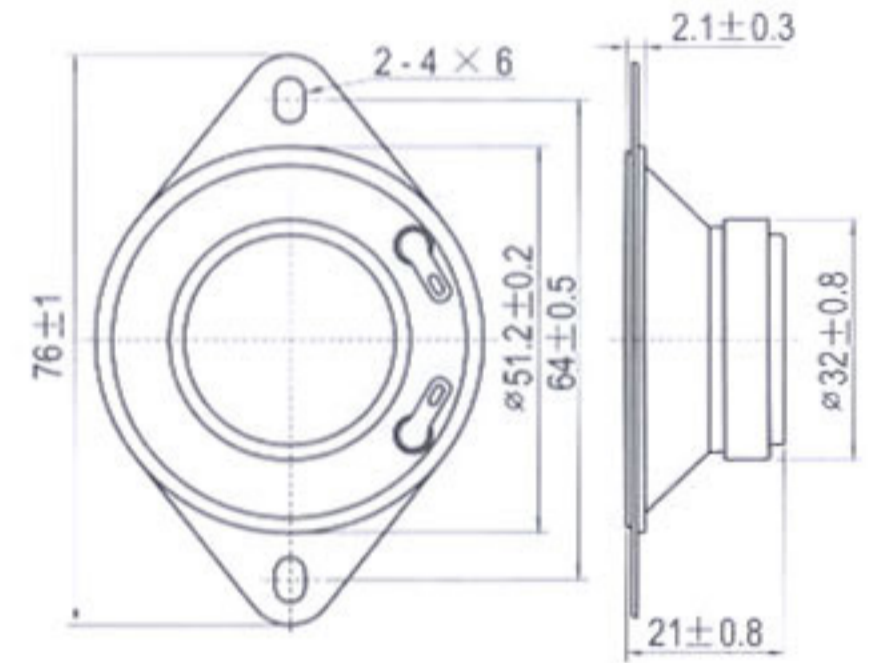
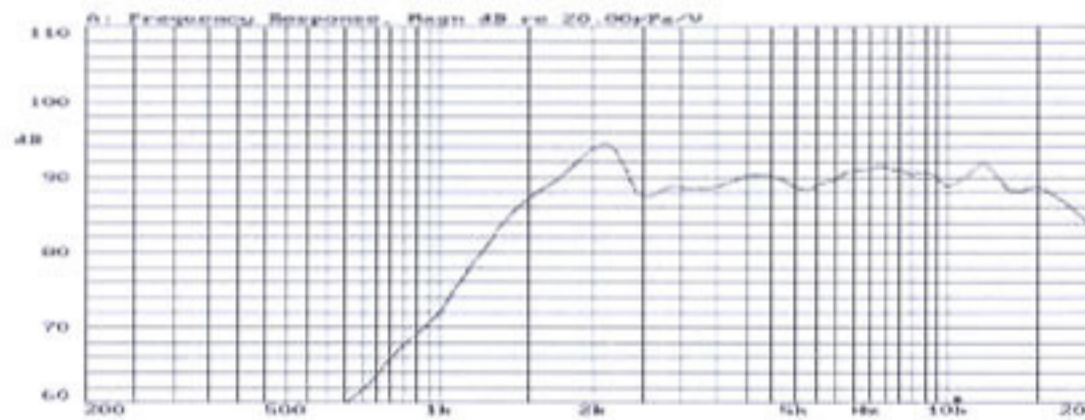
YDG50-4B

Rated Impedance (Ω)	$8 \pm 15\%$
Rated (Max) Power (W)	3 (5)
Resonance Frequency (Hz)	≥ 2000
Rated Freq. Range (Hz)	f.-18000
Sound Pressure Level (dB/1m, 1w)	90 ± 3
Weight (g)	126
Operating Temperature ($^{\circ}\text{C}$)	-10~+40



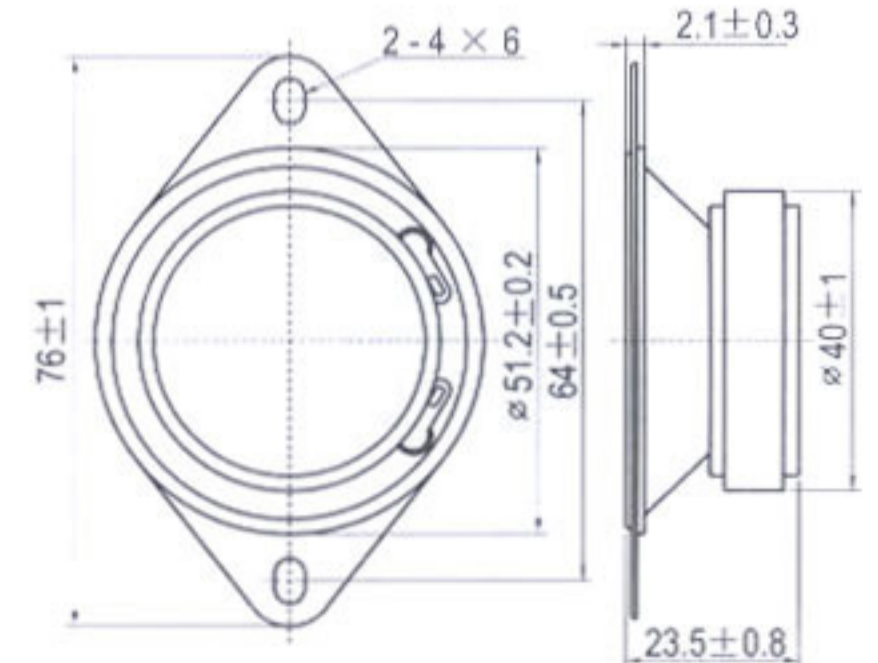
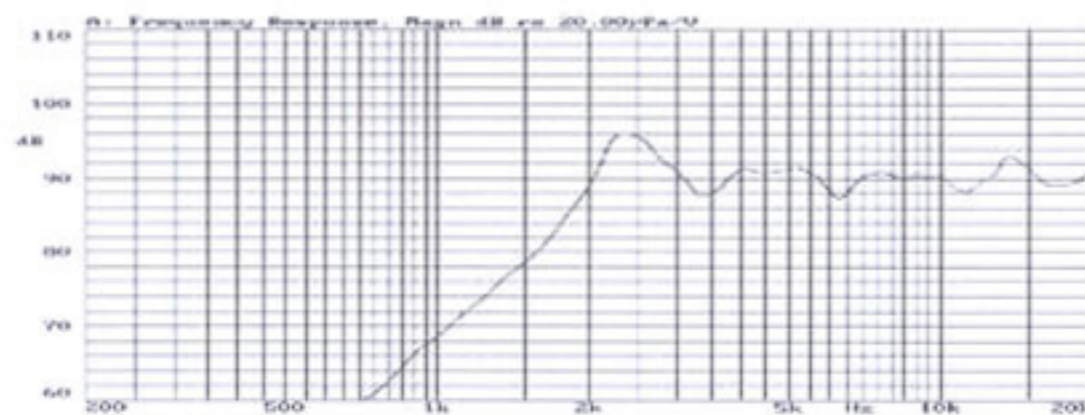
YDG50-5

Rated Impedance (Ω)	$8 \pm 20\%$
Rated (Max) Power (W)	10 (15)
Resonance Frequency (Hz)	≥ 2000
Rated Freq. Range (Hz)	f.-18000
Sound Pressure Level (dB/1m, 1w)	86 ± 3
Weight (g)	55
Operating Temperature ($^{\circ}\text{C}$)	-10~+40



YDG50-6

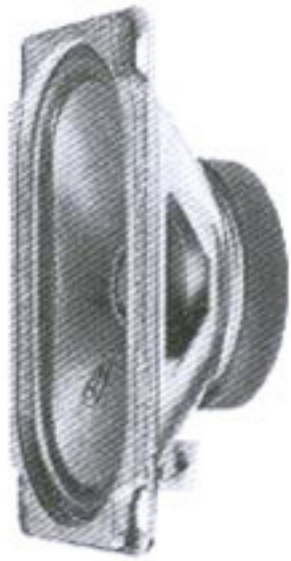
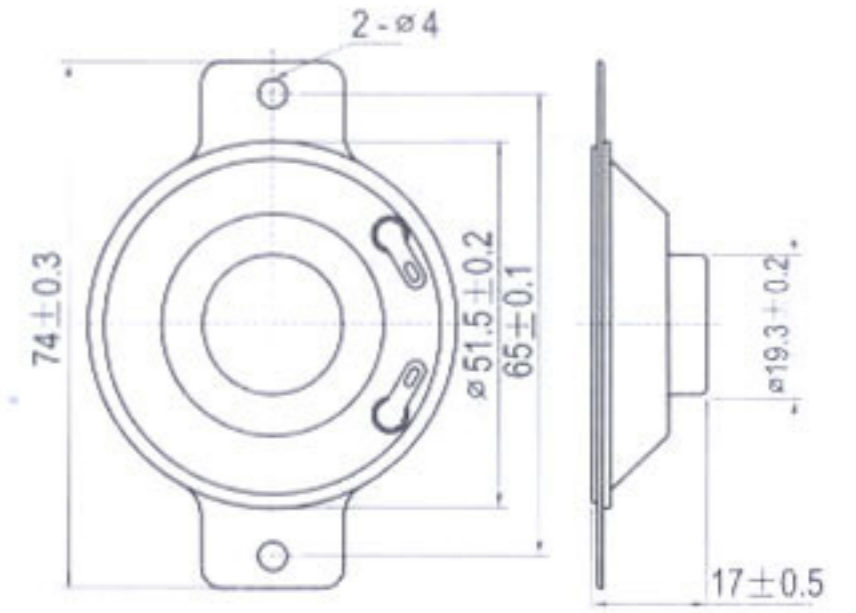
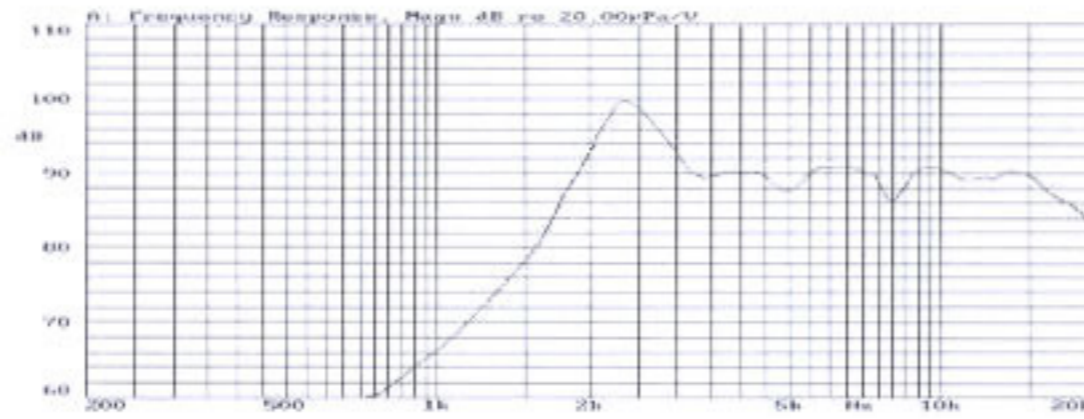
Rated Impedance (Ω)	$8 \pm 20\%$
Rated (Max) Power (W)	10 (15)
Resonance Frequency (Hz)	≥ 2000
Rated Freq. Range (Hz)	f.-20000
Sound Pressure Level (dB/1m, 1w)	90 ± 3
Weight (g)	93
Operating Temperature ($^{\circ}\text{C}$)	-10~+40





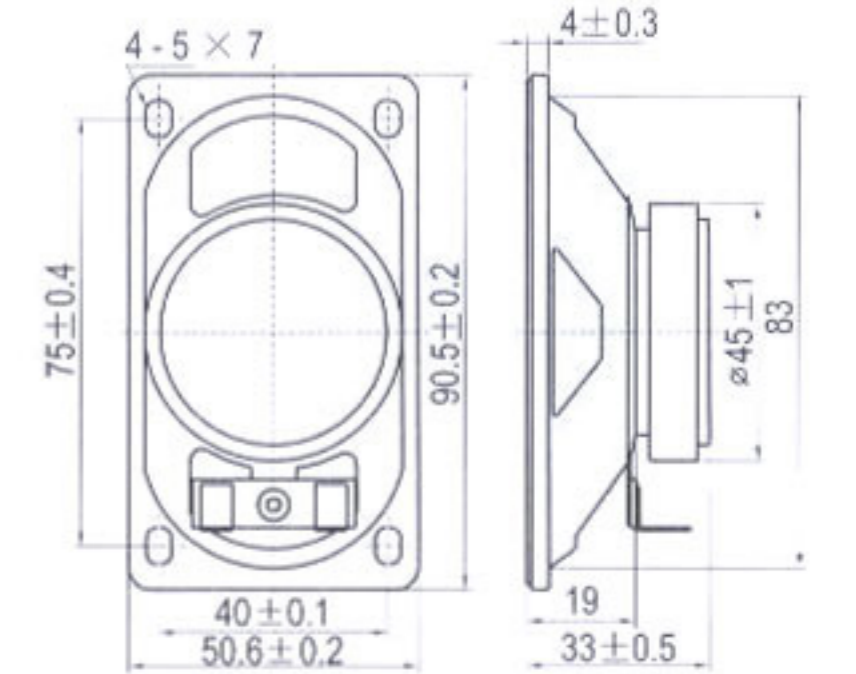
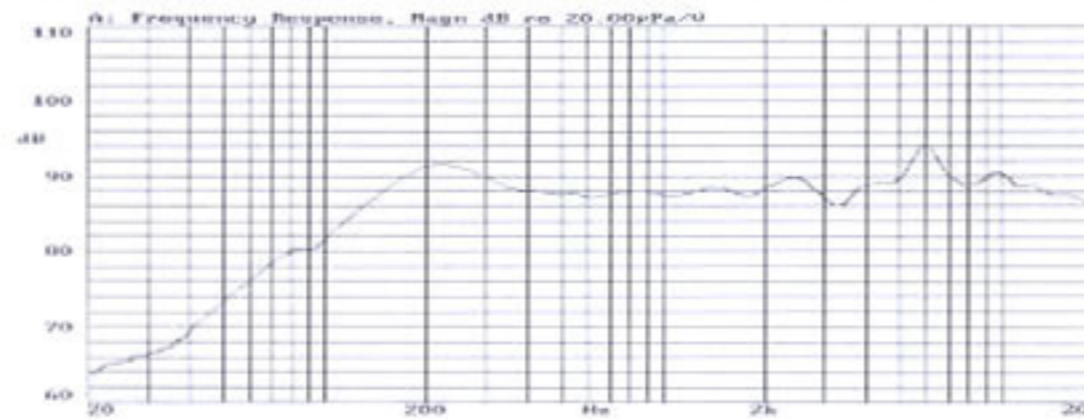
YDG50-11

Rated Impedance (Ω)	$8 \pm 15\%$
Rated (Max) Power (W)	5 (10)
Resonance Frequency (Hz)	≥ 2000
Rated Freq. Range (Hz)	$f_s \sim 18000$
Sound Pressure Level (dB/1m, 1w)	≥ 90
Weight (g)	26
Operating Temperature ($^{\circ}\text{C}$)	$-10 \sim +40$



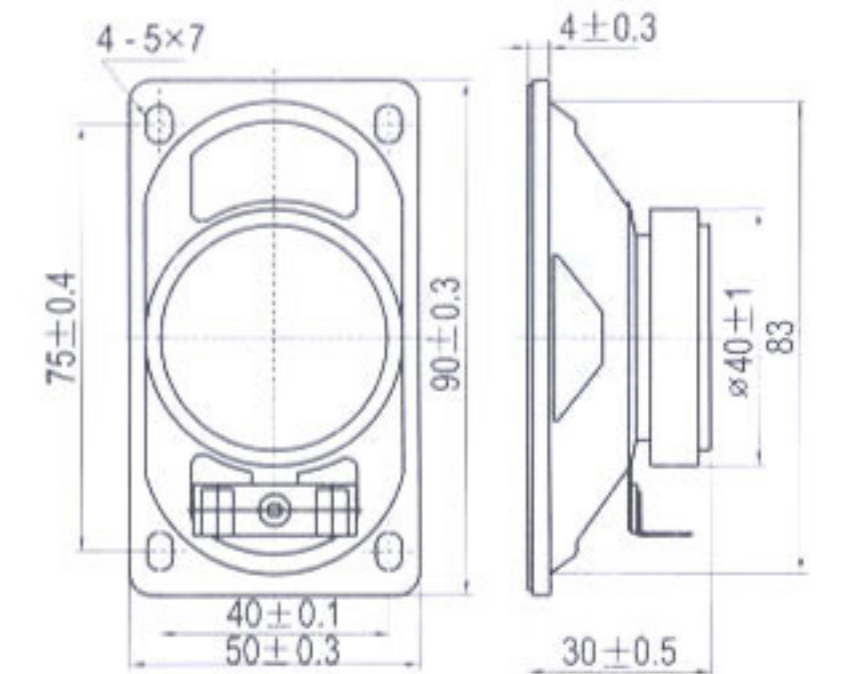
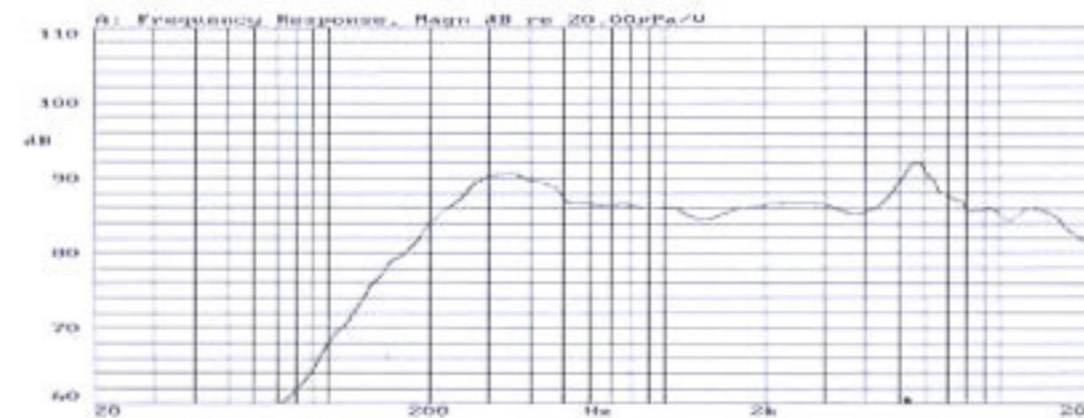
YDP5090-1

Rated Impedance (Ω)	$8 \pm 15\%$
Rated (Max) Power (W)	3 (5)
Resonance Frequency (Hz)	$200 \pm 20\%$
Rated Freq. Range (Hz)	$f_s \sim 12000$
Sound Pressure Level (dB/1m, 1w)	88 ± 3
Weight (g)	120
Operating Temperature ($^{\circ}\text{C}$)	$-10 \sim +40$



YDP5090-6

Rated Impedance (Ω)	$4 \pm 15\%$
Rated (Max) Power (W)	3 (5)
Resonance Frequency (Hz)	$230 \pm 20\%$
Rated Freq. Range (Hz)	$f_s \sim 18000$
Sound Pressure Level (dB/1m, 1w)	≥ 85
Weight (g)	92
Operating Temperature ($^{\circ}\text{C}$)	$-10 \sim +40$



YDT507-1

Rated Impedance (Ω)	$50 \pm 15\%$
Rated (Max) Power (W)	0.5 (1)
Resonance Frequency (Hz)	$460 \pm 20\%$
Rated Freq. Range (Hz)	$f_s \sim 3400$
Sound Pressure Level (dB/1m, 1w)	90 ± 2
Weight (g)	111
Operating Temperature ($^{\circ}\text{C}$)	$-10 \sim +40$

