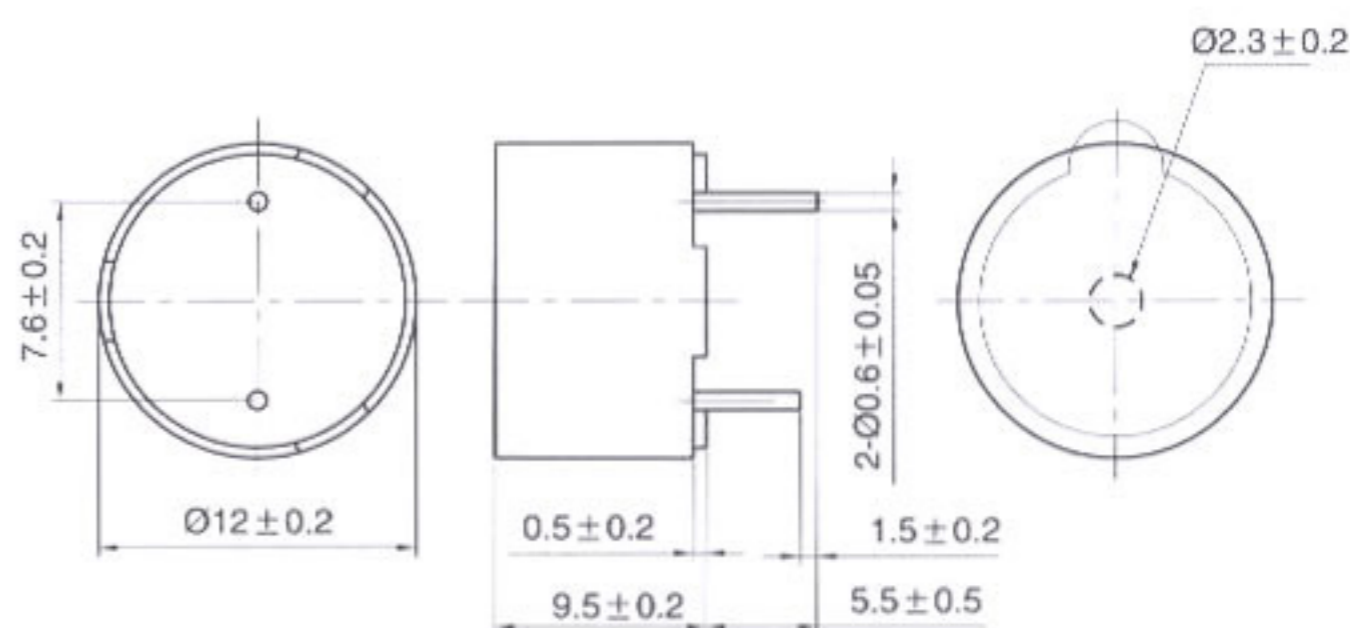
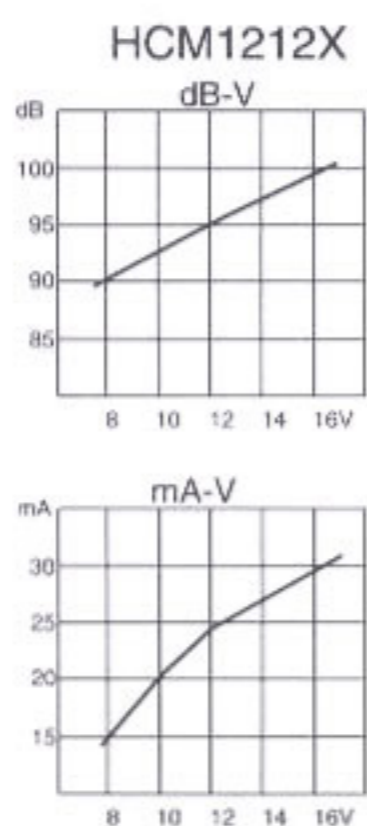
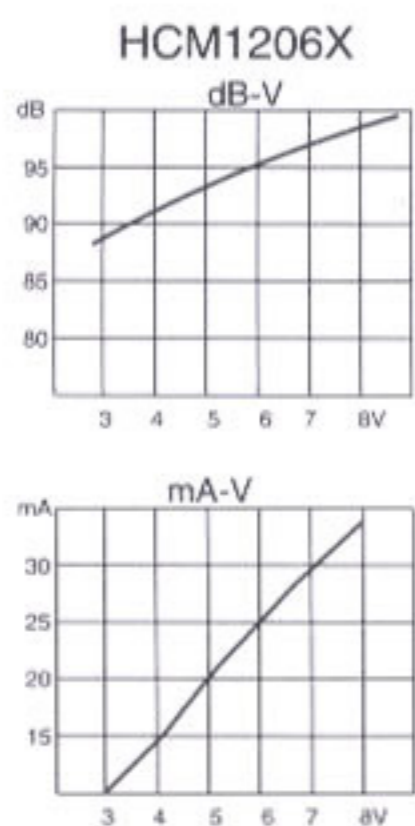
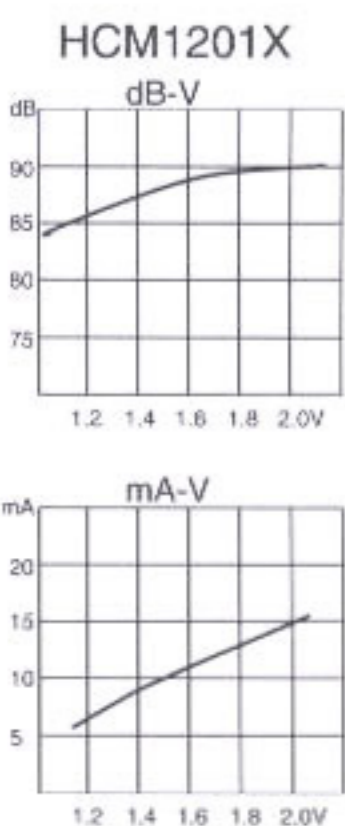


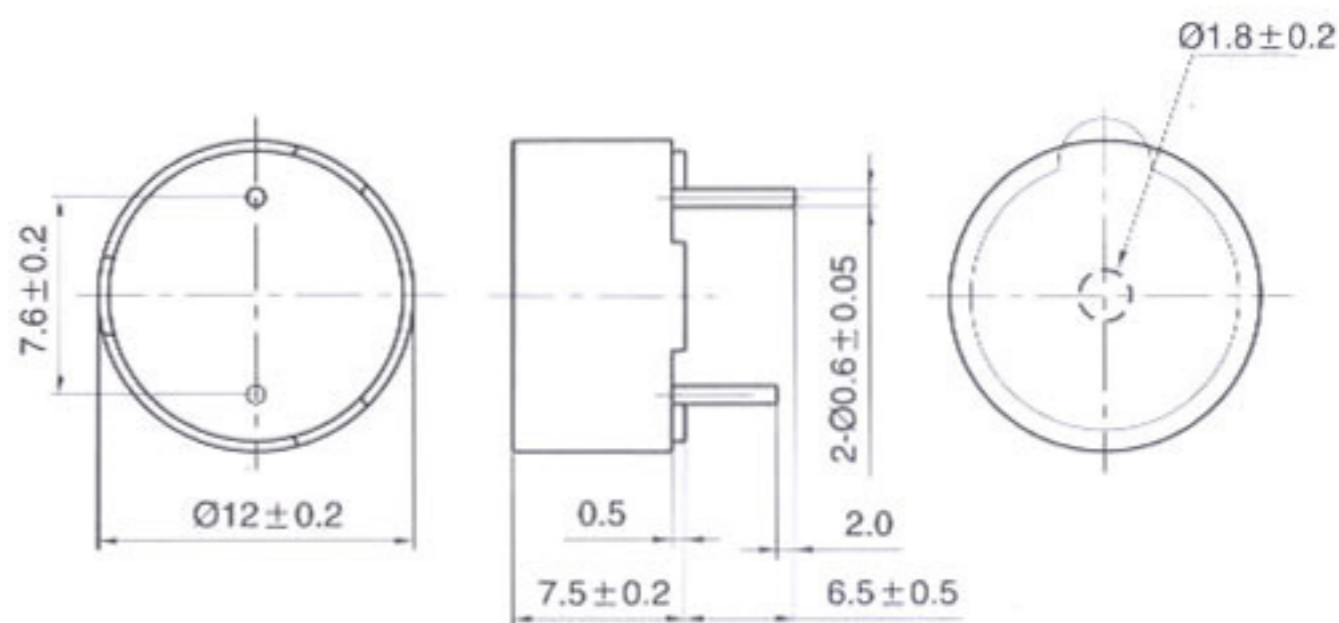
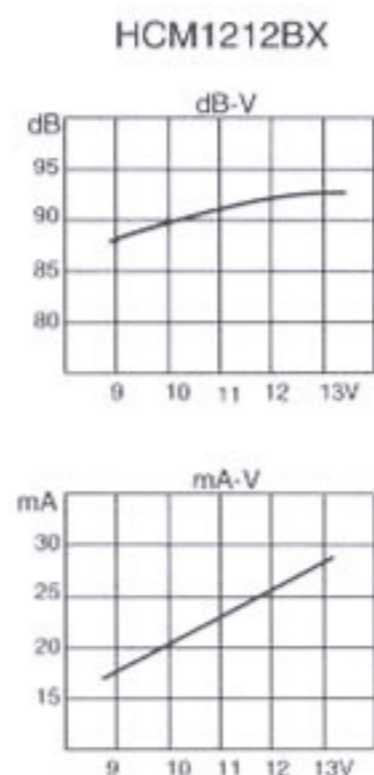
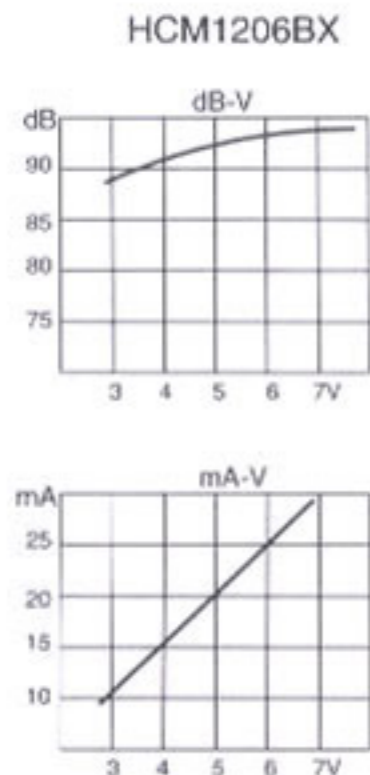
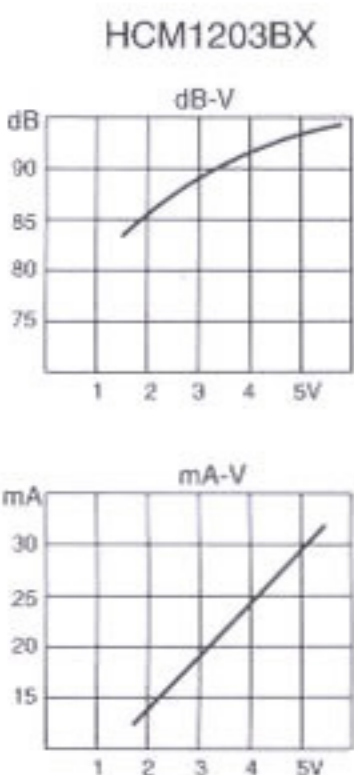
HCM12X SERIES

Type	HCM1201X	HCM1203X	HCM1206X	HCM1209X	HCM1212X
Rated Voltage (V)	1.5	3	6	9	12
Operating Voltage (V)	1.3~2	2~5	4~7	7~11	8~15
Rated Current (mA)	Max. 20	Max. 30			
Sound Output at 10 cm (dB)	Min.75	Min.82	Min.85		
Resonant Frequency (KHz)	2.3±0.4		2.3±0.3		
Response Time (ms)	Max.50				
Operating Temperature (°C)	-25~+80				
Storage Temperature (°C)	-30~+80				
Weight (g)	2				



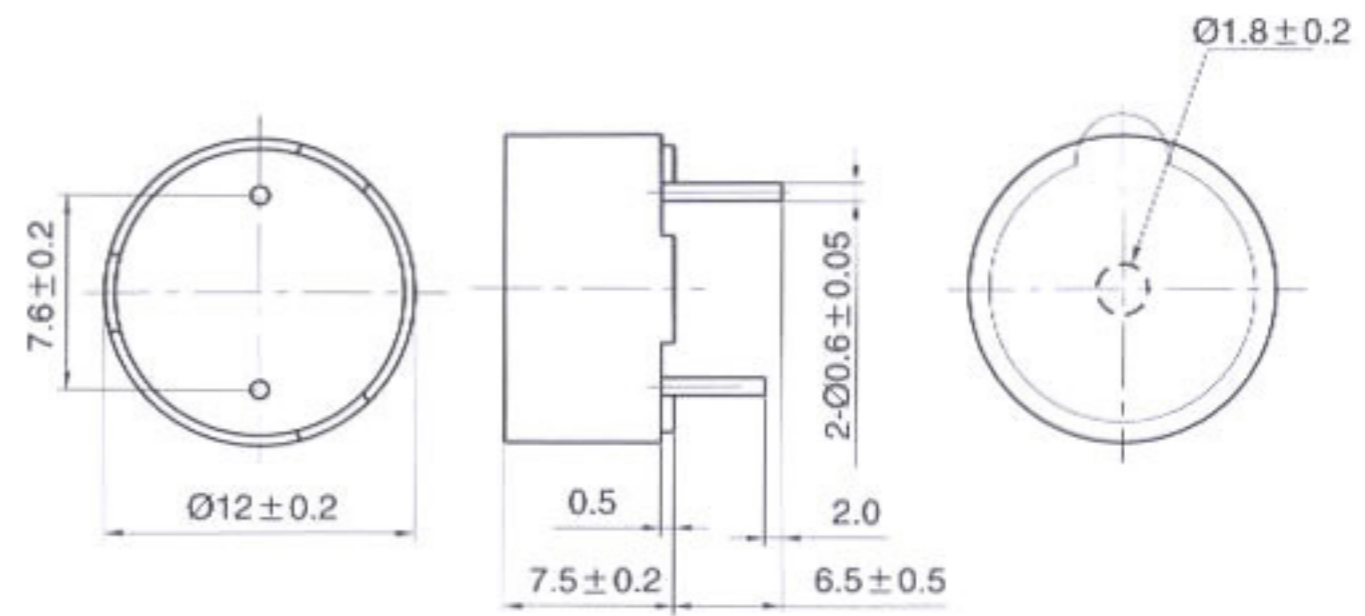
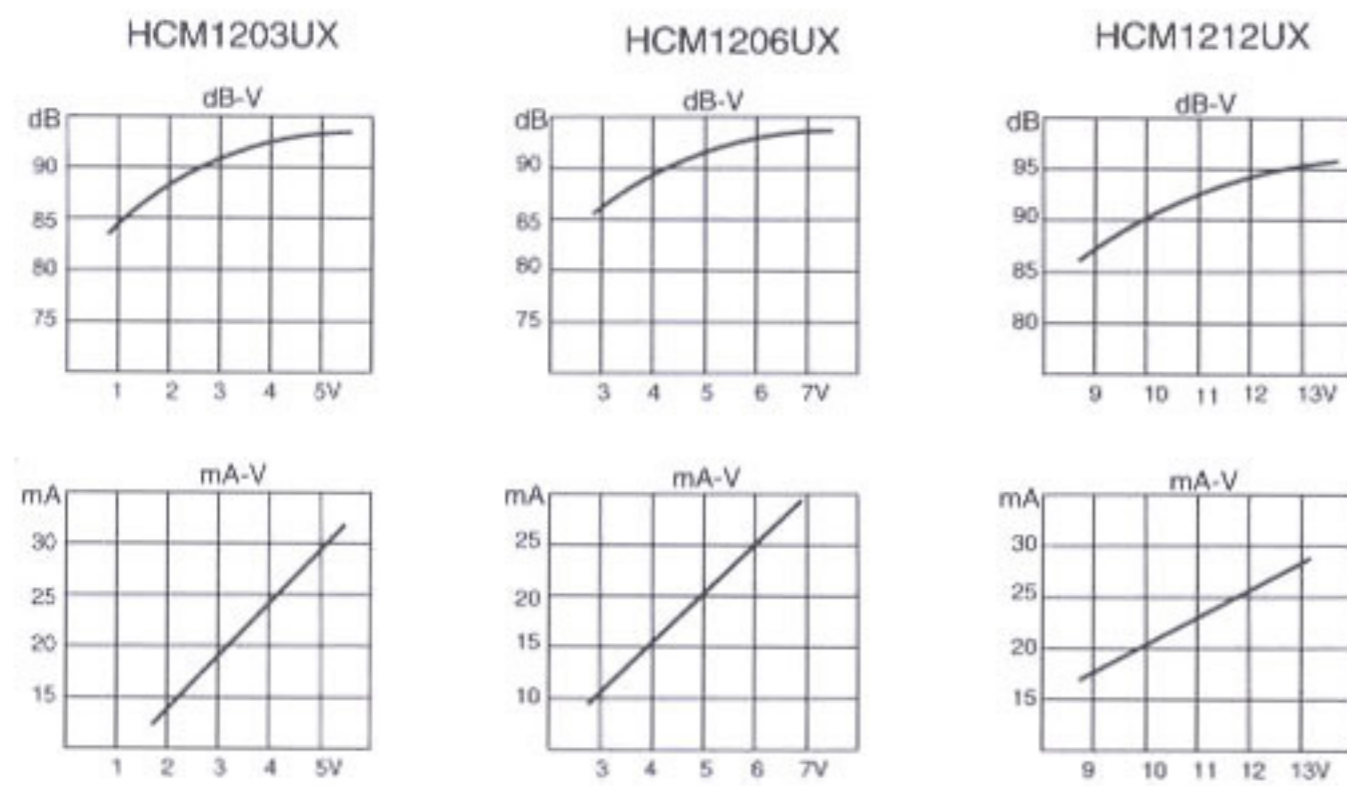
HCM12BX SERIES

Type	HCM1201BX	HCM1203BX	HCM1206BX	HCM1212BX
Rated Voltage (V)	1.5	3	5	12
Operating Voltage (V)	1.4~2	2~5	3~7	9~15
Rated Current (mA)	Max. 25	Max. 30		
Sound Output at 10 cm (dB)	Min.75	Min.82	Min.83	
Resonant Frequency (KHz)	3.1±0.5		3.1±0.3	
Response Time (ms)	Max.50			
Operating Temperature (°C)	-20~+70			
Storage Temperature (°C)	-25~+80			
Weight (g)	2			



HCM12UX SERIES

Type	HCM1201UX	HCM1203UX	HCM1206UX	HCM1212UX
Rated Voltage (V)	1.5	3	5	12
Operating Voltage (V)	1.4~2	2~5	3~7	9~15
Rated Current (mA)	Max. 25	Max. 30		
Sound Output at 10 cm (dB)	Min.75	Min.82	Min.83	
Resonant Frequency (KHz)	2.3±0.5	2.3±0.4		
Response Time (ms)	Max.50			
Operating Temperature (°C)	-20~+70			
Storage Temperature (°C)	-25~+80			
Weight (g)	2			



HCM16X SERIES

Type	HCM1606X	HCM1612X
Rated Voltage (V)	6	12
Operating Voltage (V)	4~8	8~15
Rated Current (mA)	Max. 30	
Sound Output at 10 cm (dB)	Min.85	
Resonant Frequency (KHz)	2.3±0.3	
Response Time (ms)	Max.50	
Operating Temperature (°C)	-20~+80	
Storage Temperature (°C)	-30~+80	
Weight (g)	7	

