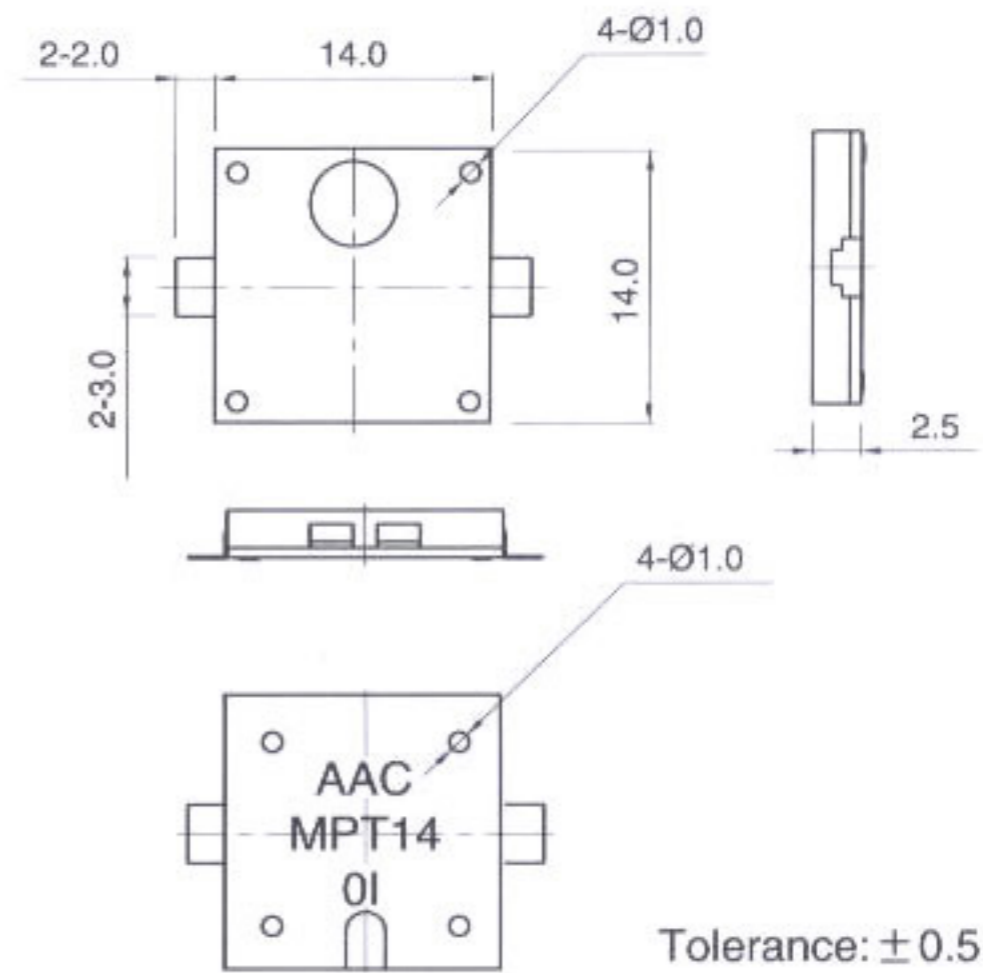
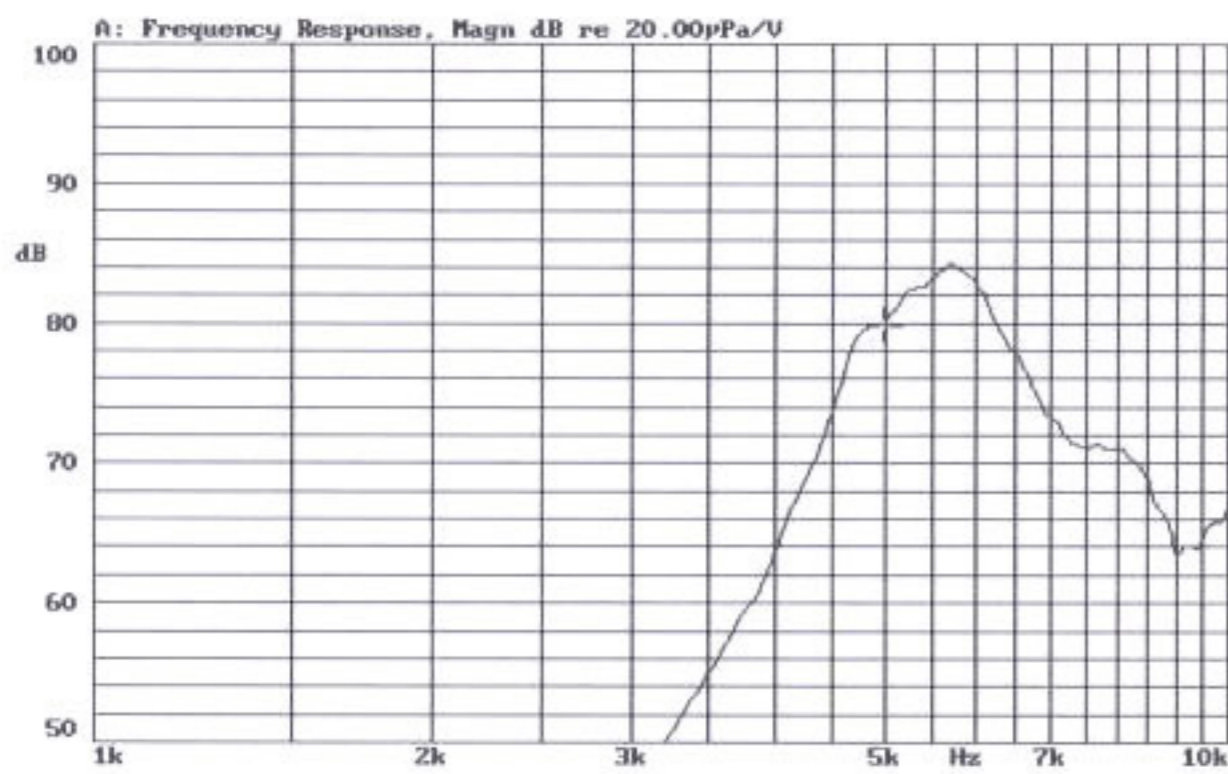
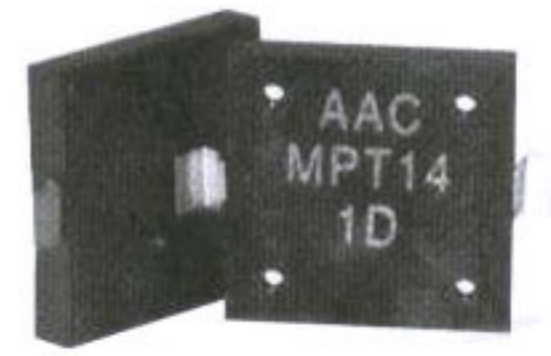


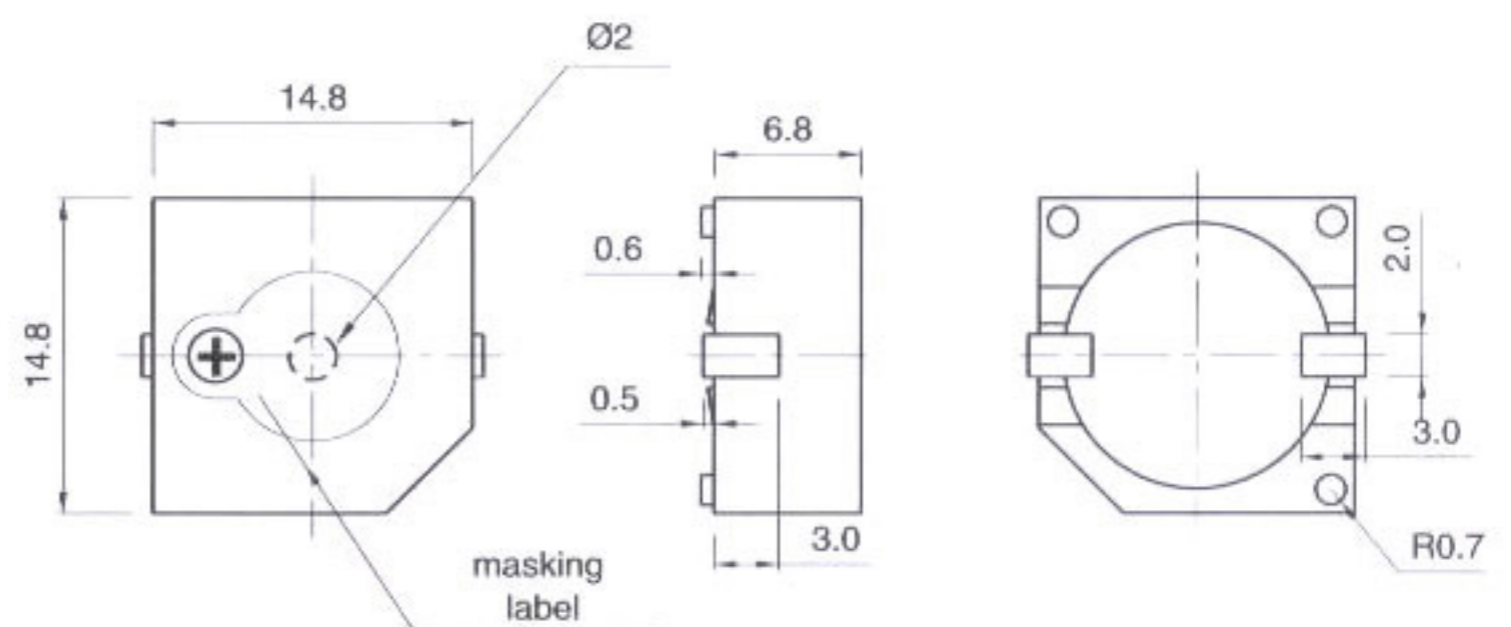
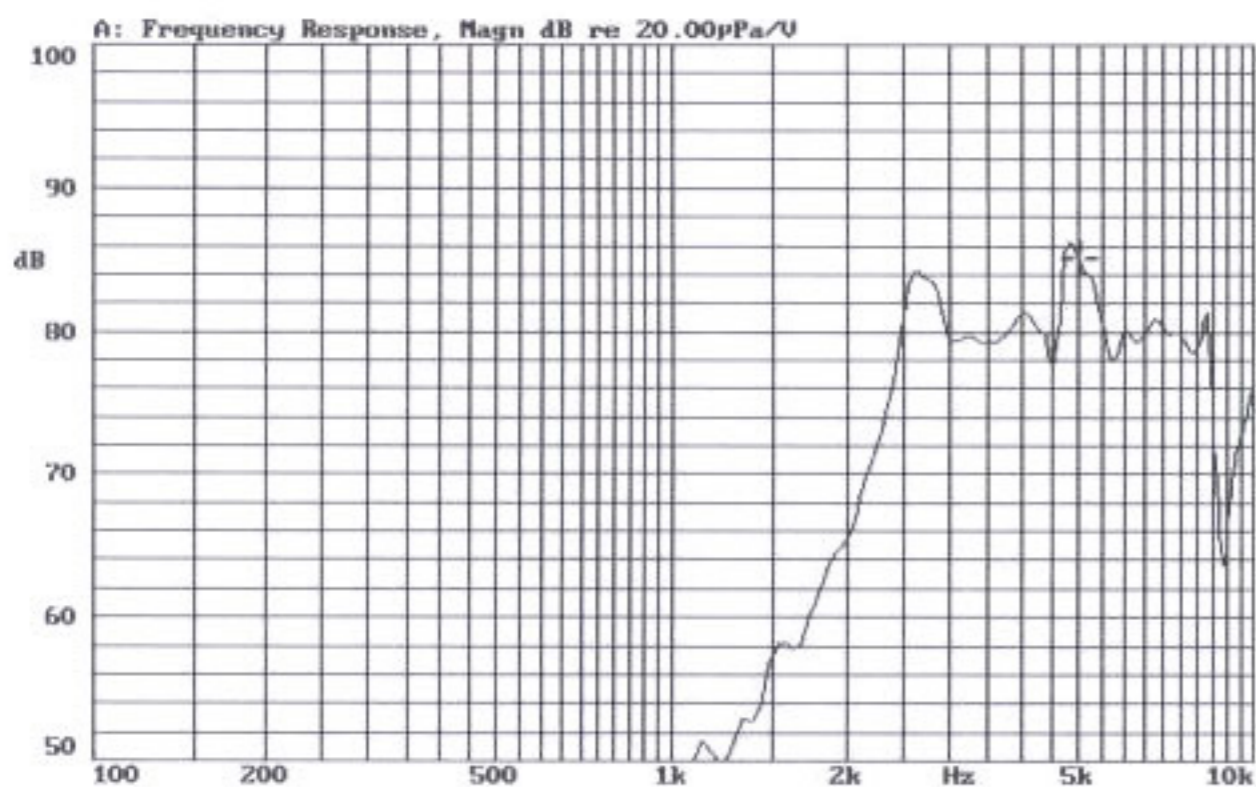
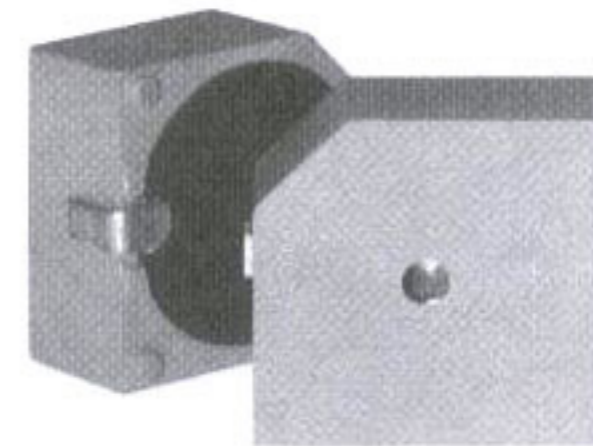
MPT14

Operating Voltage (Vp-p)	1~ 25
S.P.L at 10 cm (dB)	≥75
Resonant Frequency (HZ)	5000 ± 500
Capacitance at 1000 Hz ,25°C (pF)	14000 ± 30%
Current (mA)	≤1.0
Operating Temp (°C)	-20~+70
Storage Temp (°C)	-30~+80



MPT15

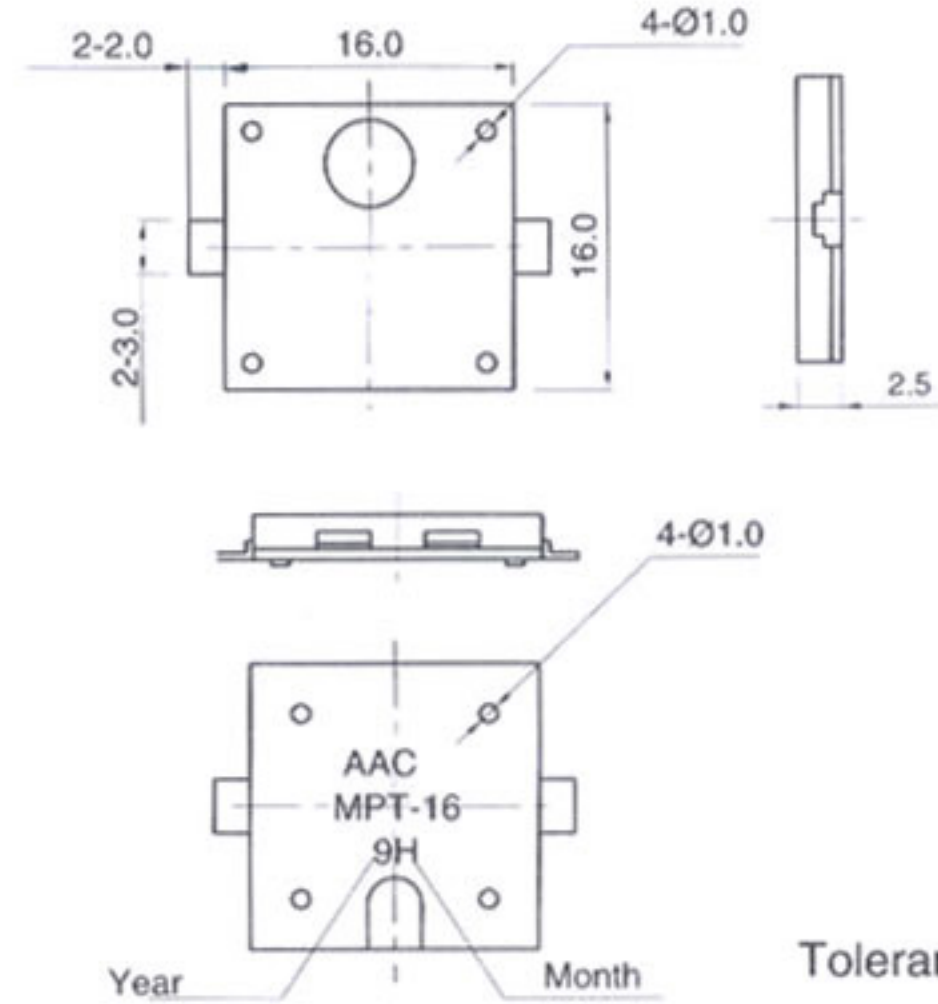
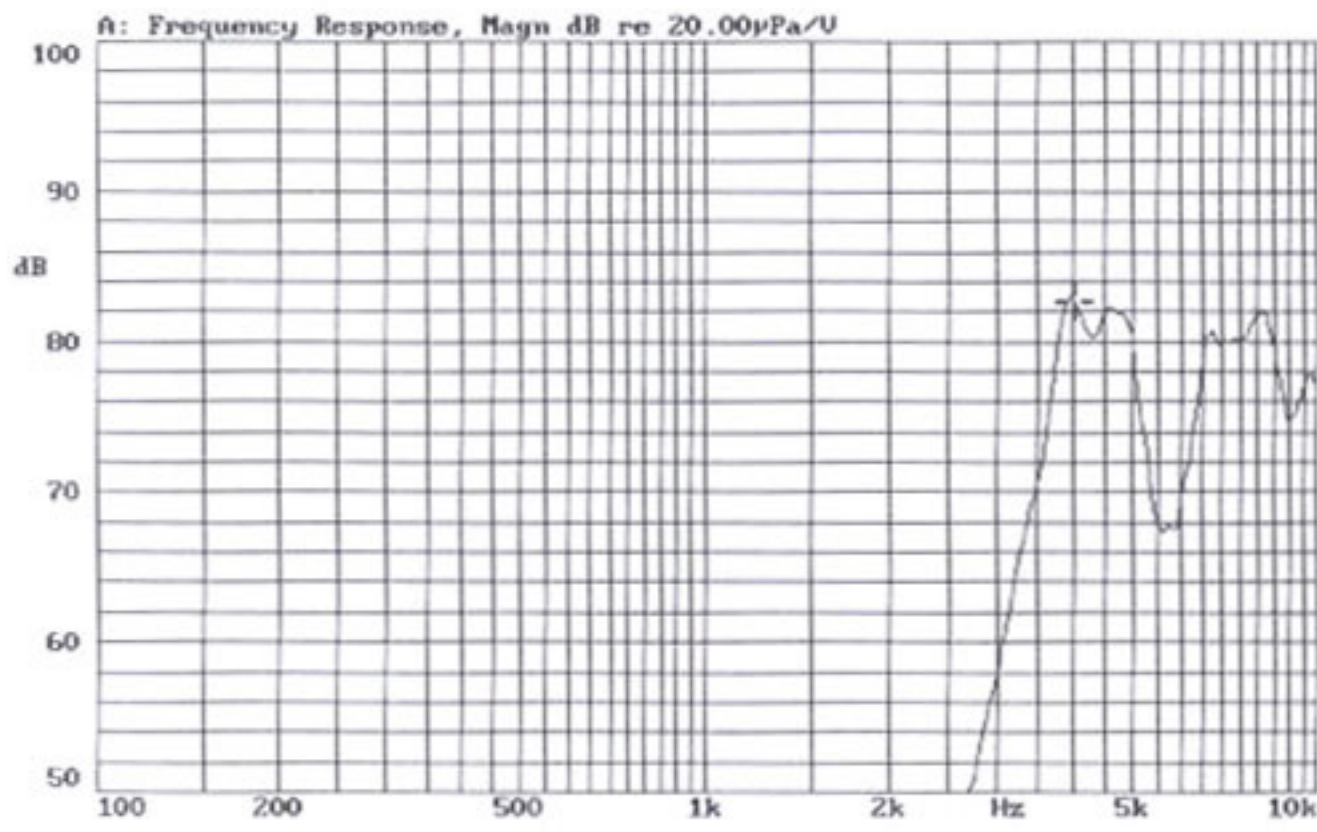
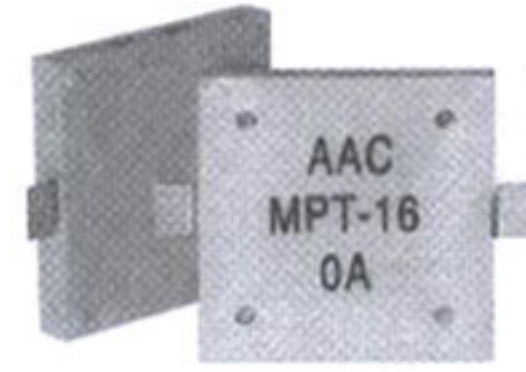
Operating Voltage (Vp-p)	3~ 20
S.P.L at 10 cm (dB)	≥85
Resonant Frequency (HZ)	5000 ± 500
Capacitance at 120 Hz ,25°C (pF)	15000 ± 30%
Current (mA)	≤3
Operating Temp (°C)	-20~+70
Storage Temp (°C)	-30~+80



Tolerance: ±0.5

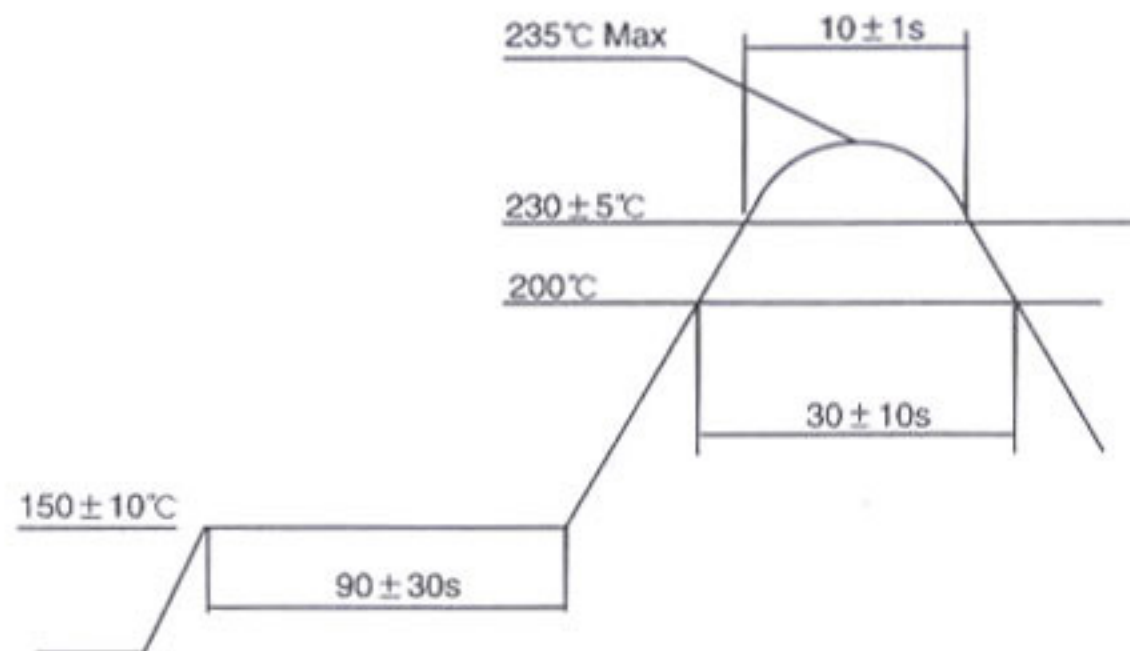
MPT16

Operating Voltage (Vp-p)	3~25
S.P.L at 10 cm (dB)	≥75
Resonant Frequency (HZ)	4000 ± 500
Capacitance at 1000 Hz ,25°C (pF)	14000 ± 30%
Current (mA)	≤ 1.0
Operating Temp (°C)	-20~+70
Storage Temp (°C)	-30~+80



Recommended Reflow Temperature Profile

Heat reflow soldering of one cycle as follows:



Note: There are some components being processed for use in Sn-Ag-Cu "Pb-Free" Solder processes in communications customers. If you have this application for your product, please contact us with the details of your requirements.