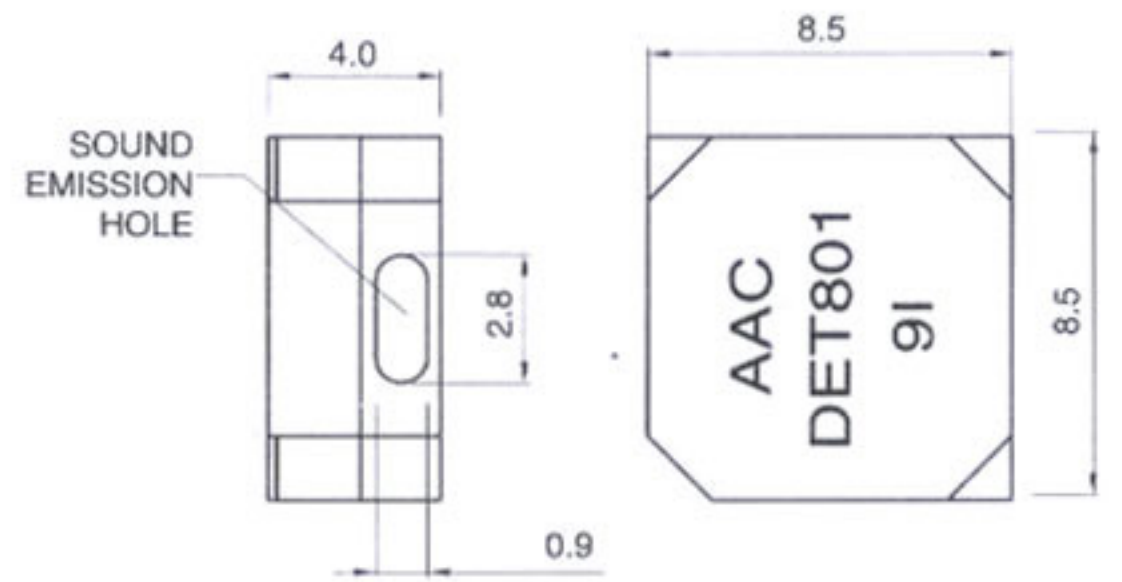
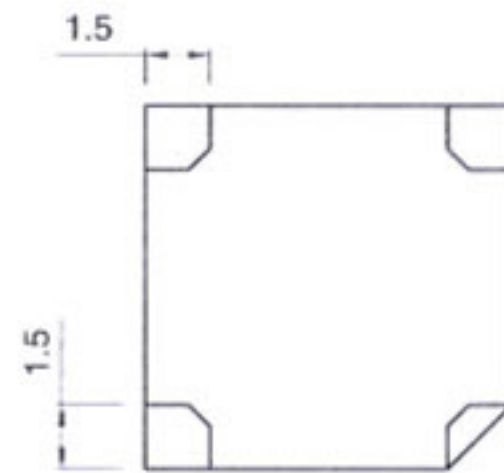
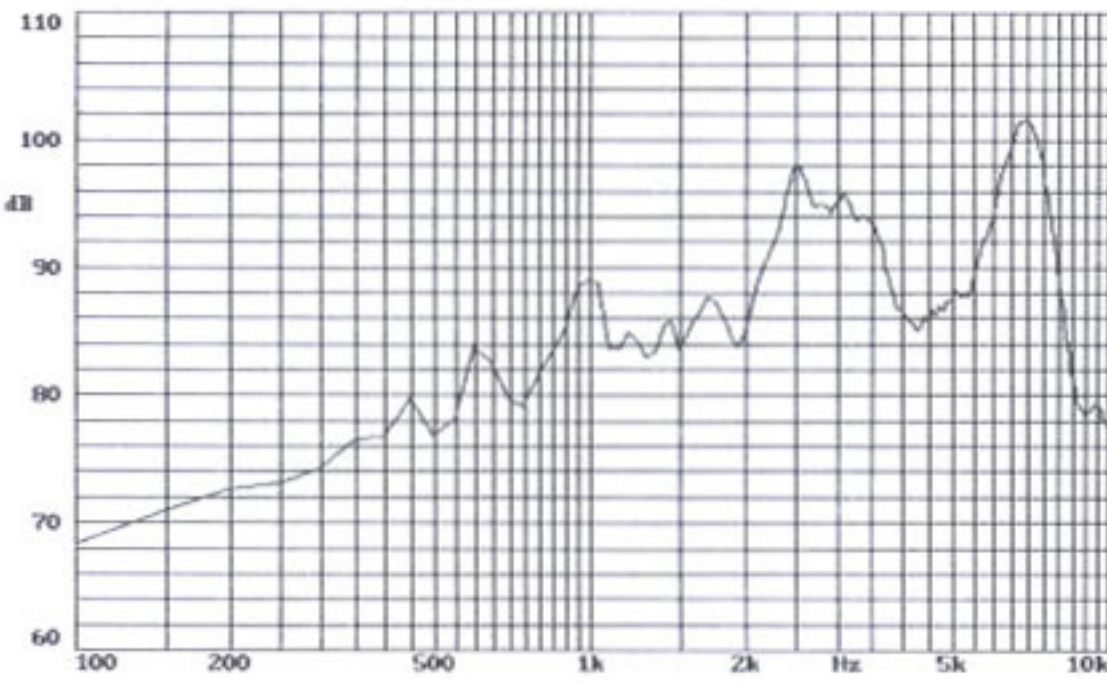


DET 801

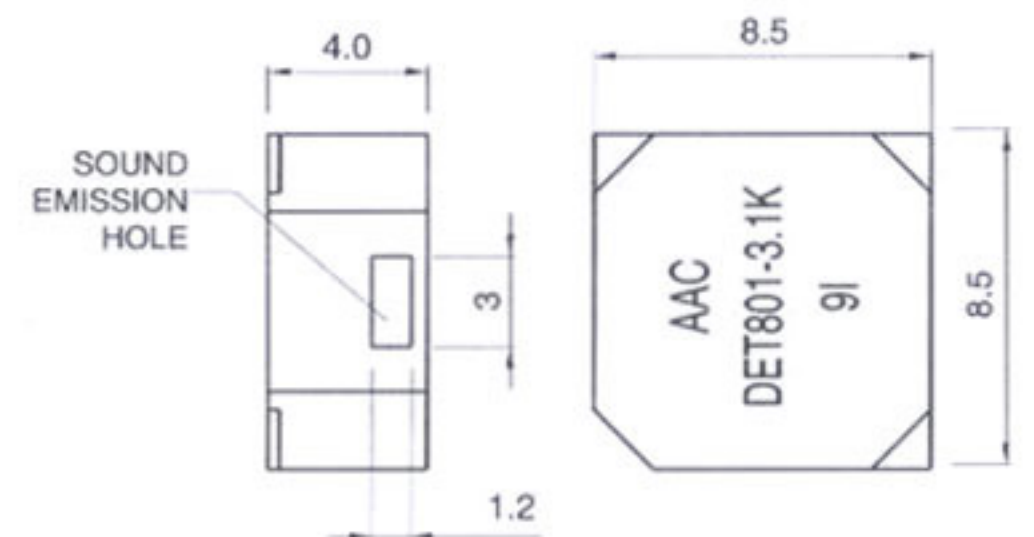
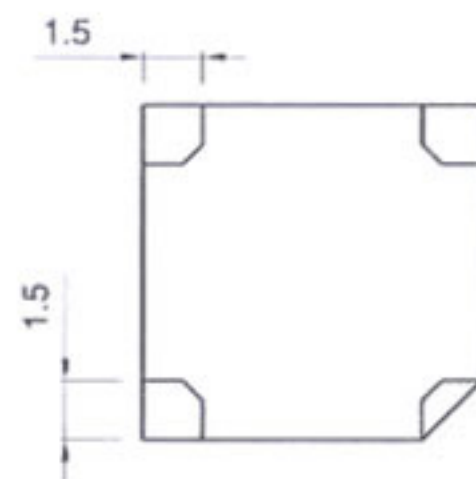
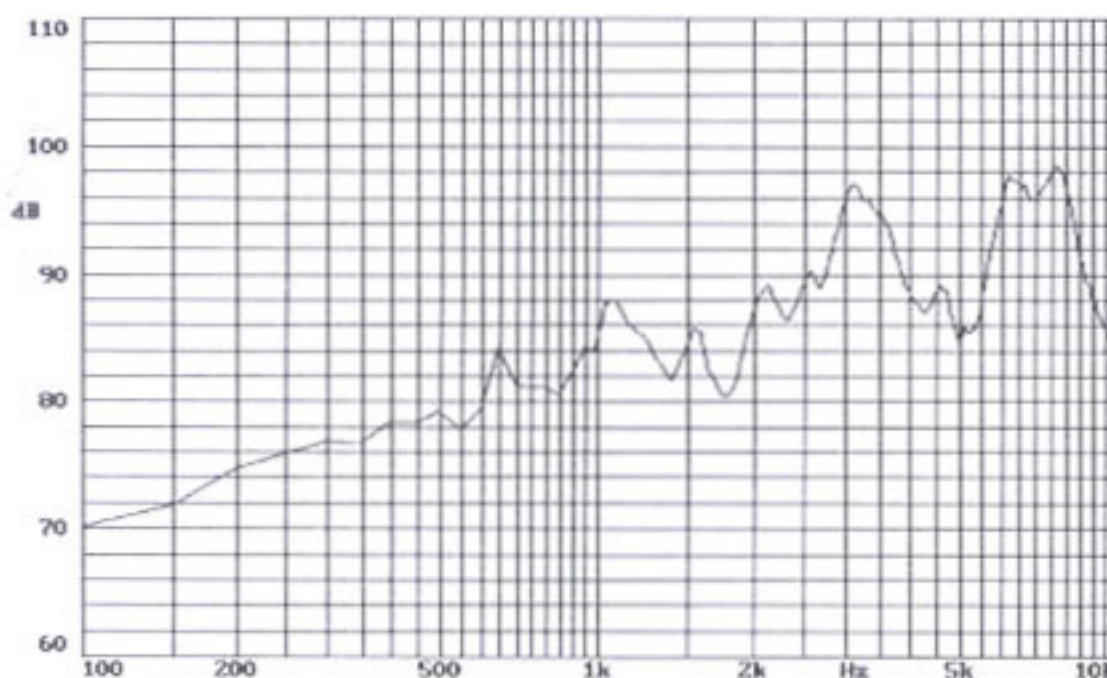
Rated Voltage (V)	3.6
Operating Voltage (V)	2.0 ~ 5.0
Rated Current (mA)	Max.90
Coil Resistance (Ω)	15
Sound Output at 10 cm (dB)	90(Typ)
Resonant Frequency (Hz)	2670
Operating Temp ($^{\circ}\text{C}$)	-30~+70
Storage Temp ($^{\circ}\text{C}$)	-40~+85



Tolerance: ± 0.2

DET 801 -3.1K

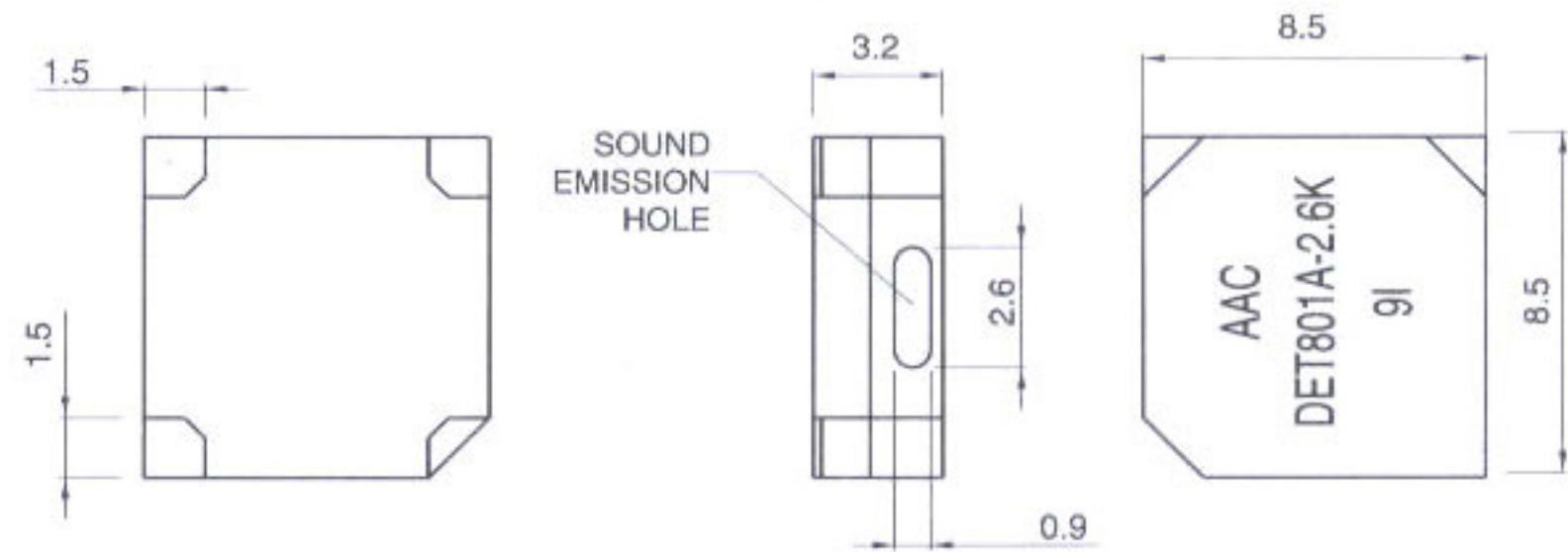
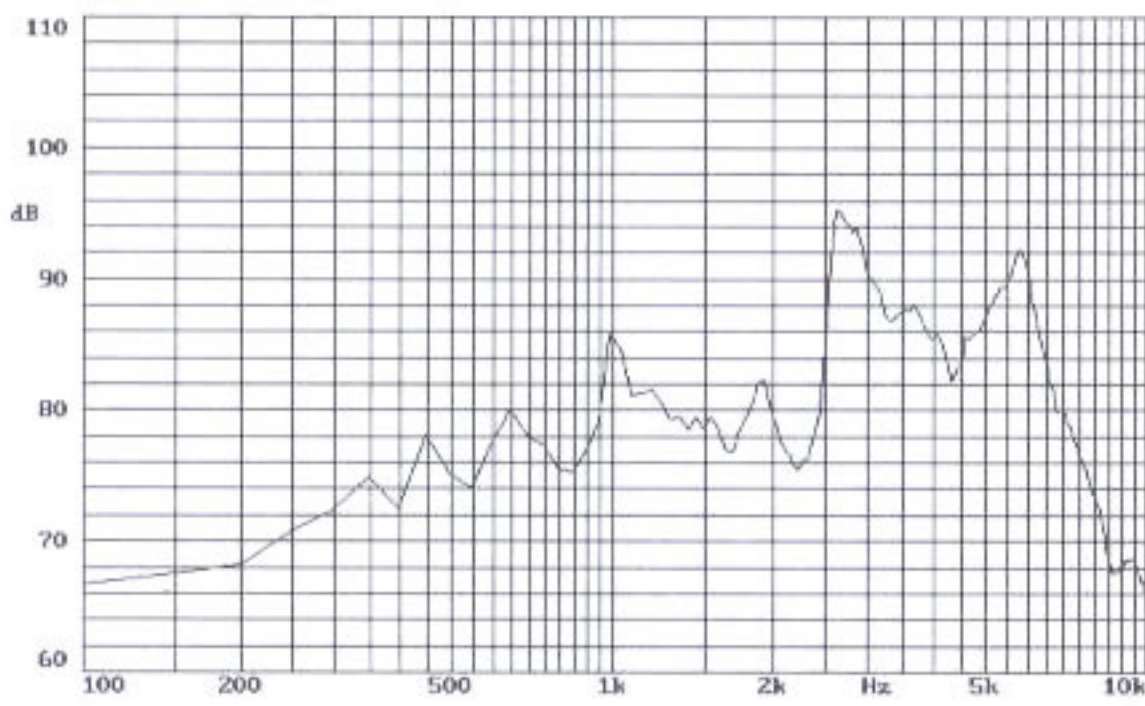
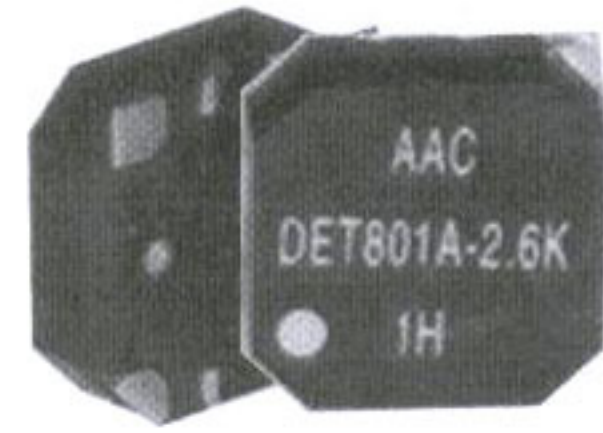
Rated Voltage (V)	3.6
Operating Voltage (V)	2.5 ~ 5.0
Rated Current (mA)	Max.90
Coil Resistance (Ω)	16
Sound Output at 10 cm (dB)	95(Typ)
Resonant Frequency (Hz)	3100
Operating Temp ($^{\circ}\text{C}$)	-30~+70
Storage Temp ($^{\circ}\text{C}$)	-40~+85



Tolerance: ± 0.2

DET 801 A -2.6 K

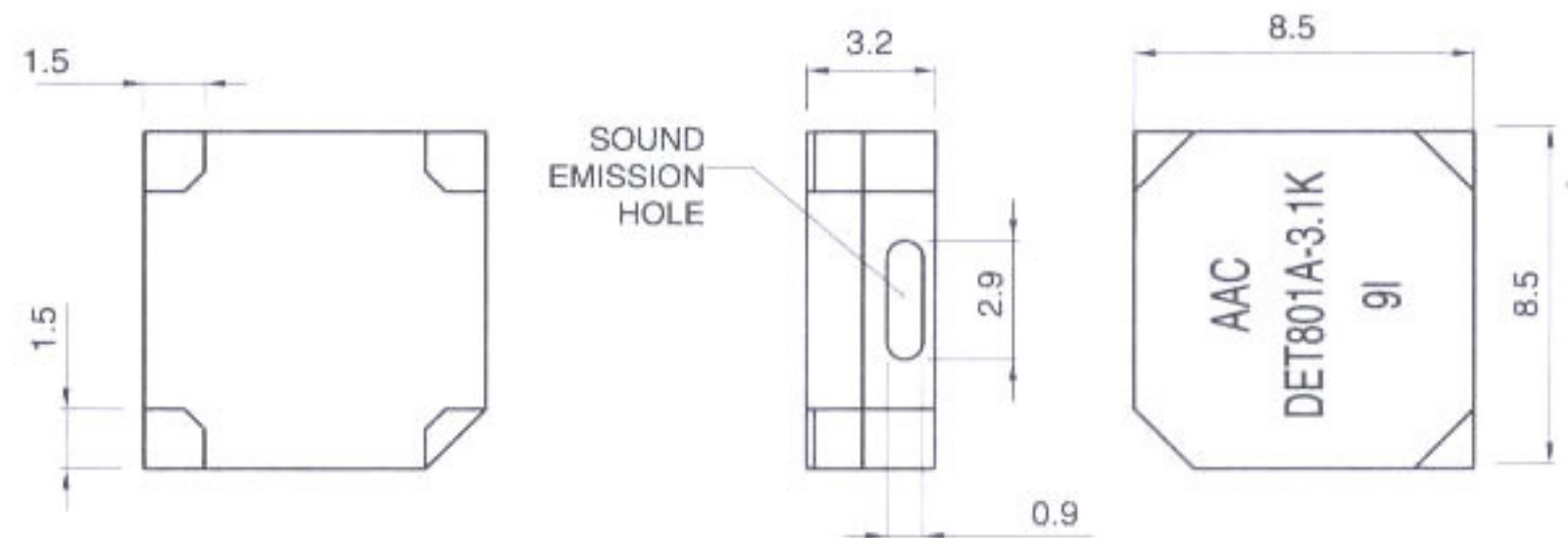
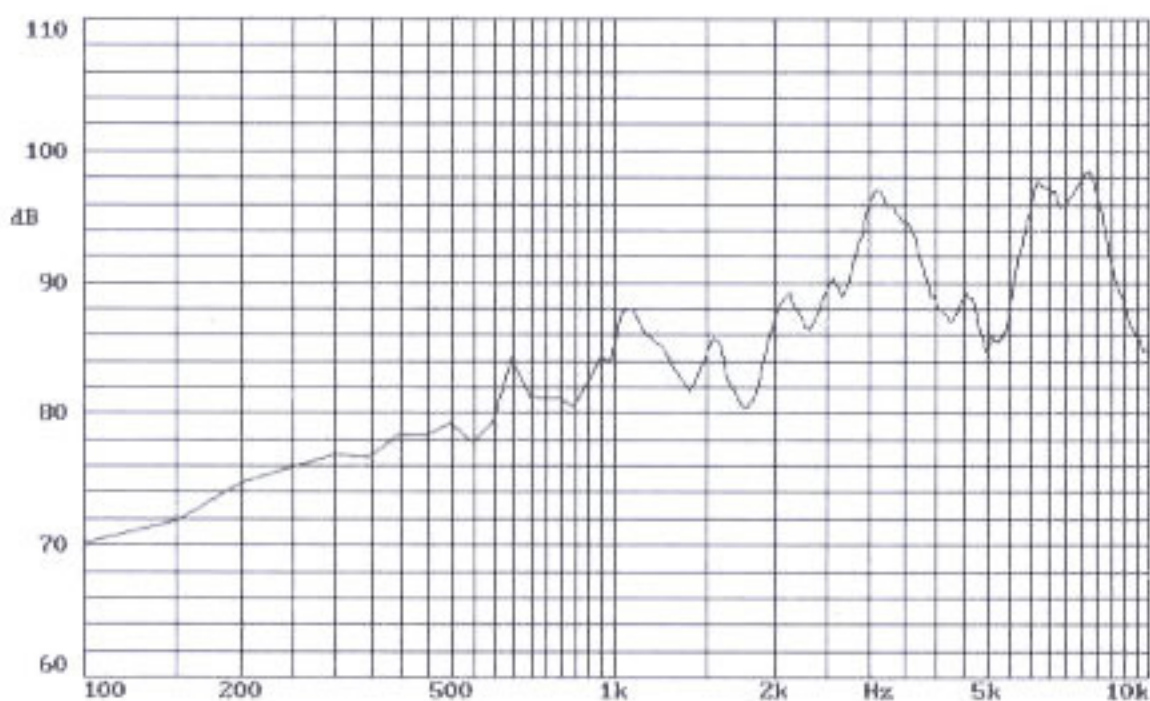
Rated Voltage (V)	3.0
Operating Voltage (V)	2.5 ~ 4.5
Rated Current (mA)	Max.100
Coil Resistance (Ω)	18
Sound Output at 10 cm (dB)	90(Typ)
Resonant Frequency (Hz)	2670
Operating Temp ($^{\circ}\text{C}$)	-30~+70
Storage Temp ($^{\circ}\text{C}$)	-40~+85



Tolerance: ± 0.2

DET 801A-3.1K

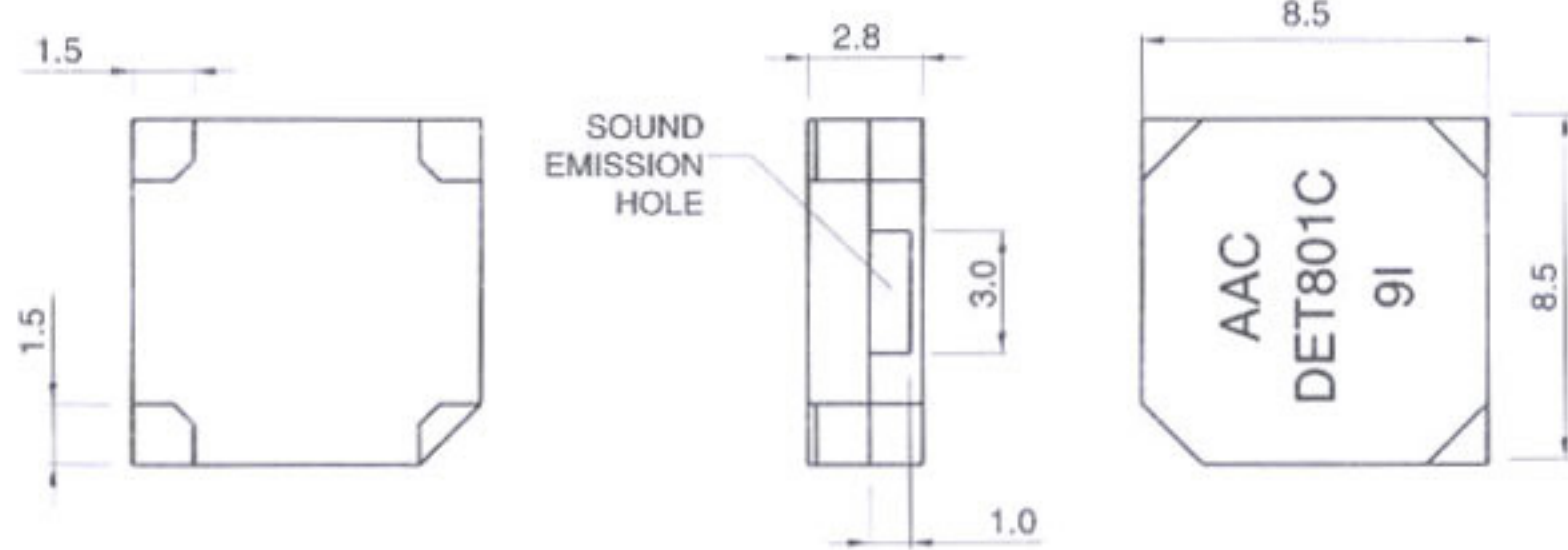
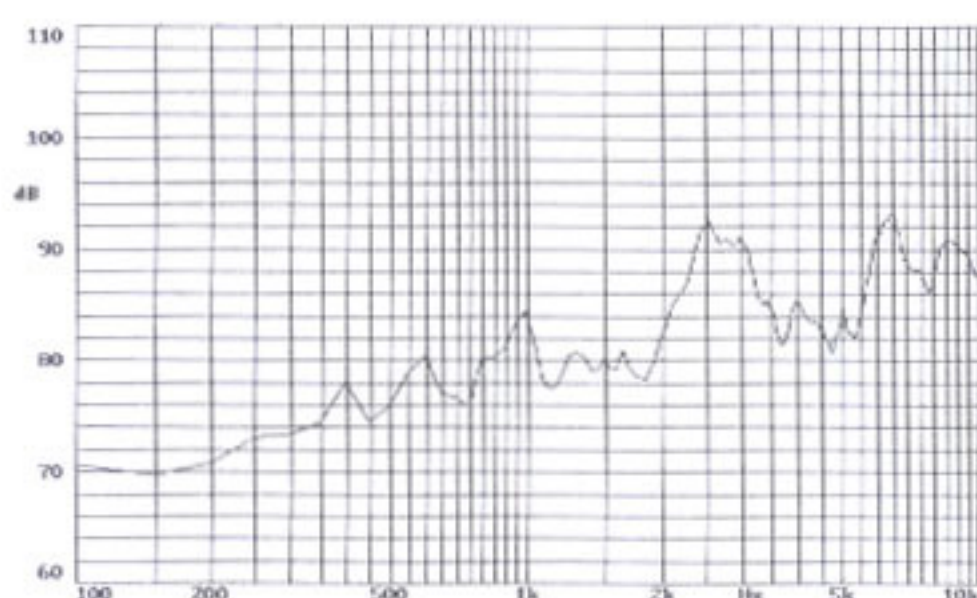
Rated Voltage (V)	3.6
Operating Voltage (V)	2.5 ~ 4.5
Rated Current (mA)	Max.100
Coil Resistance (Ω)	16
Sound Output at 10 cm (dB)	90(Typ)
Resonant Frequency (Hz)	3100
Operating Temp ($^{\circ}\text{C}$)	-30~+70
Storage Temp ($^{\circ}\text{C}$)	-40~+85



Tolerance: ± 0.2

DET 801 C

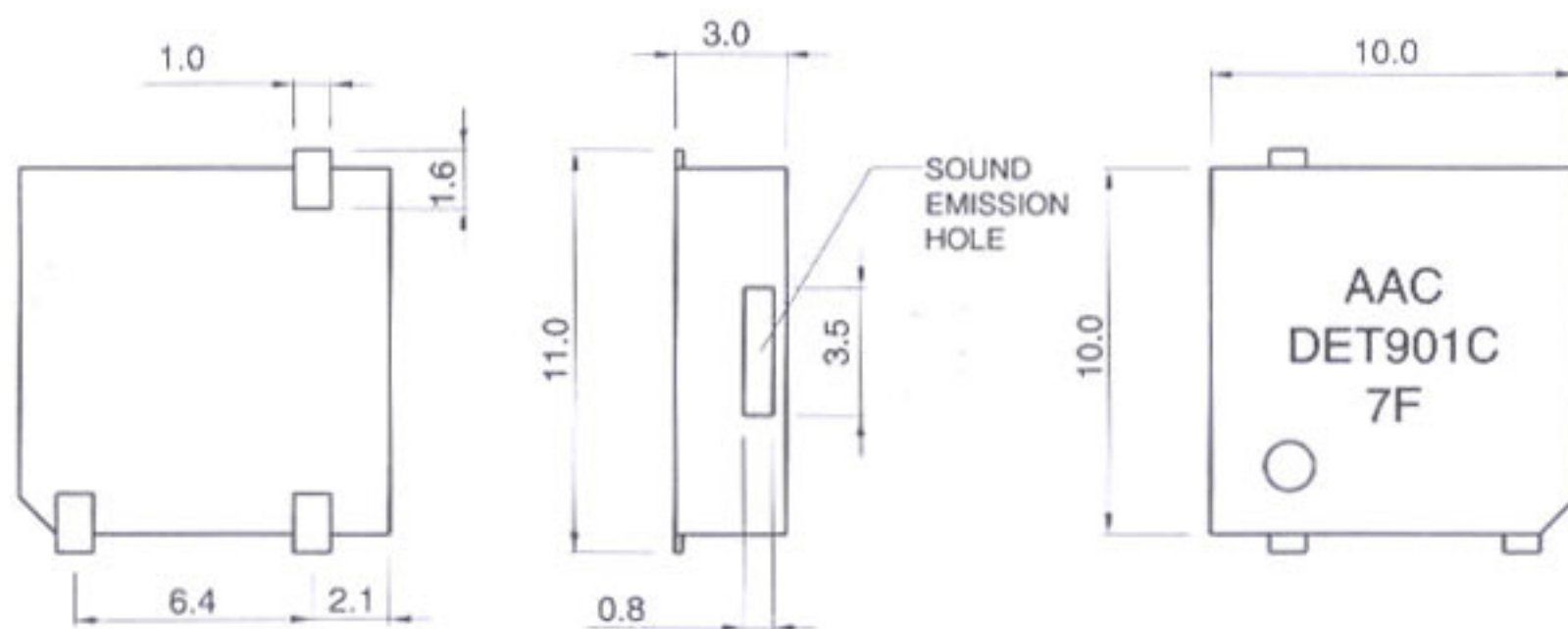
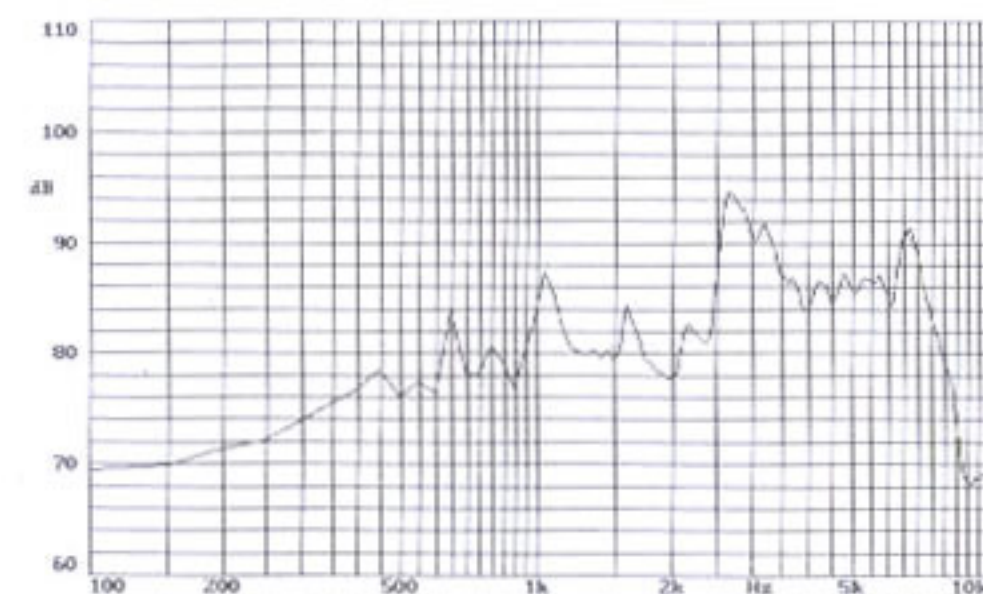
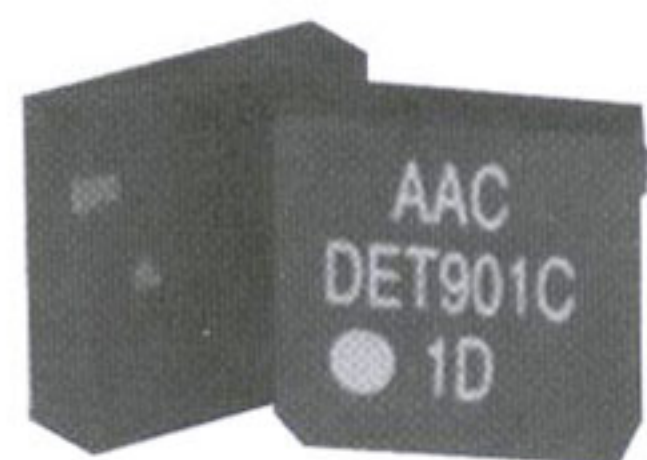
Rated Voltage (V)	3.0
Operating Voltage (V)	2.0 ~ 5.0
Rated Current (mA)	Max.100
Coil Resistance (Ω)	20
Sound Output at 10 cm (dB)	90(Typ)
Resonant Frequency (Hz)	2670
Operating Temp ($^{\circ}\text{C}$)	-30~+70
Storage Temp ($^{\circ}\text{C}$)	-40~+85



Tolerance: ± 0.2

DET 901 C

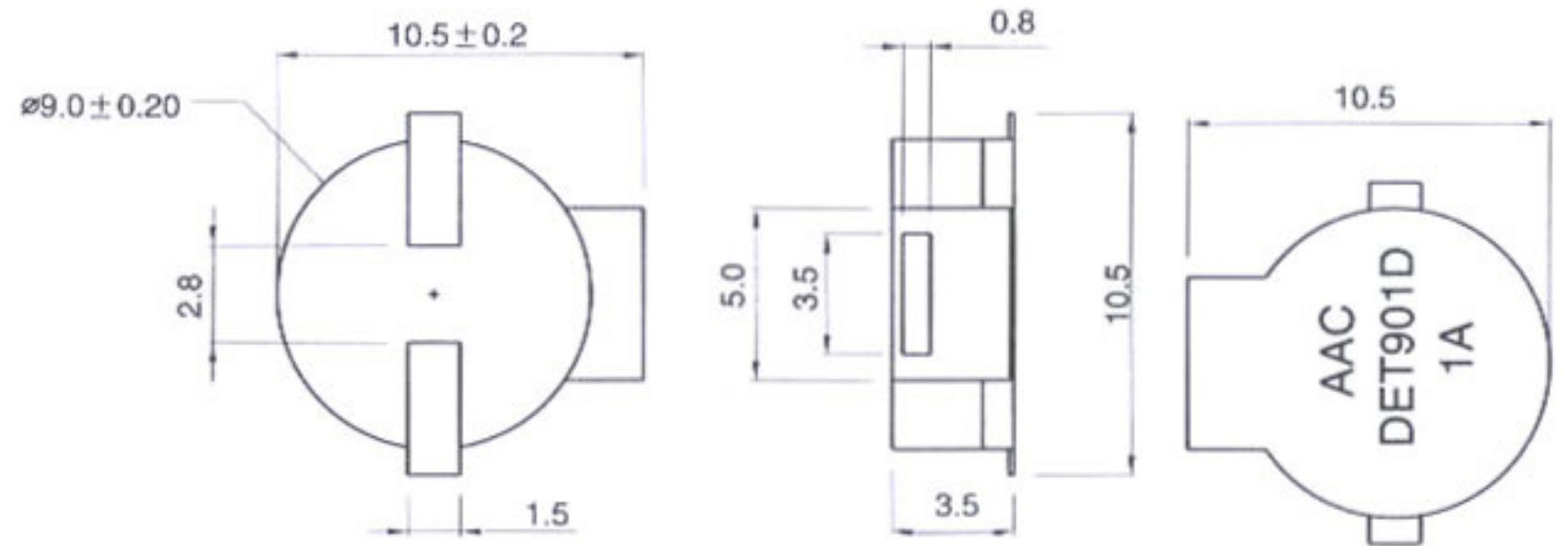
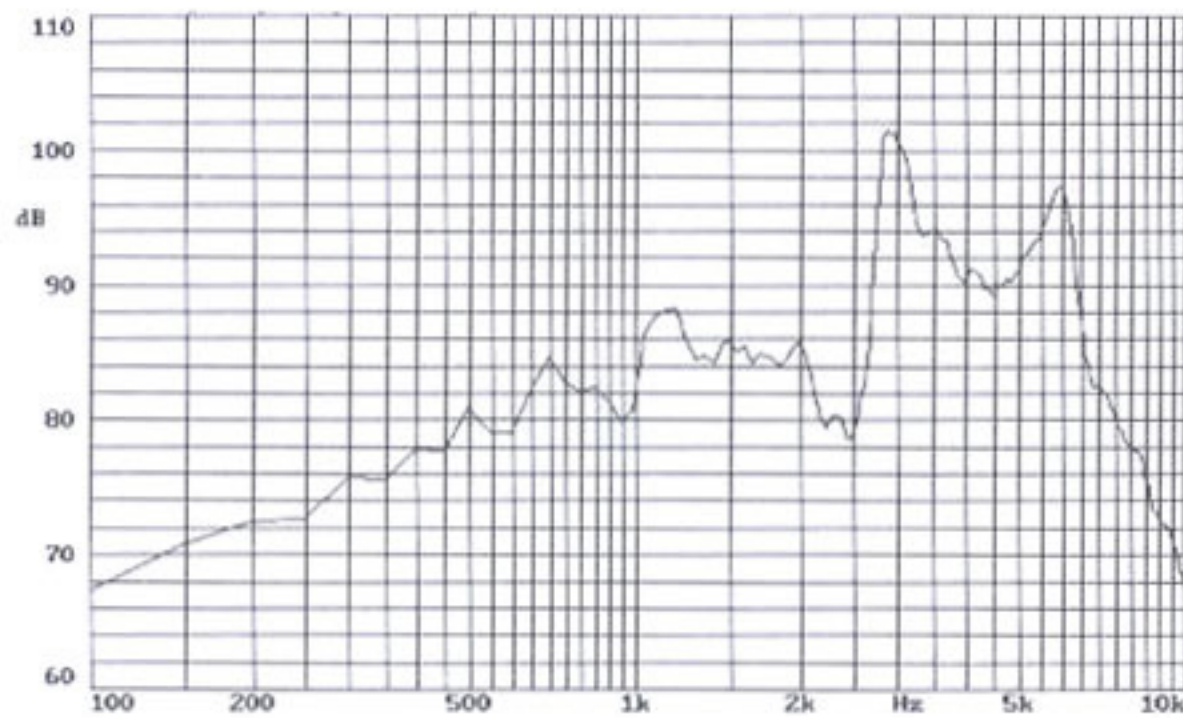
Rated Voltage (V)	3.6
Operating Voltage (V)	3.0 ~ 5.0
Rated Current (mA)	Max.80
Coil Resistance (Ω)	25
Sound Output at 10 cm (dB)	91(Typ)
Resonant Frequency (Hz)	2700
Operating Temp ($^{\circ}\text{C}$)	-30~+70
Storage Temp ($^{\circ}\text{C}$)	-40~+85



Tolerance: ± 0.2

DET 901 D

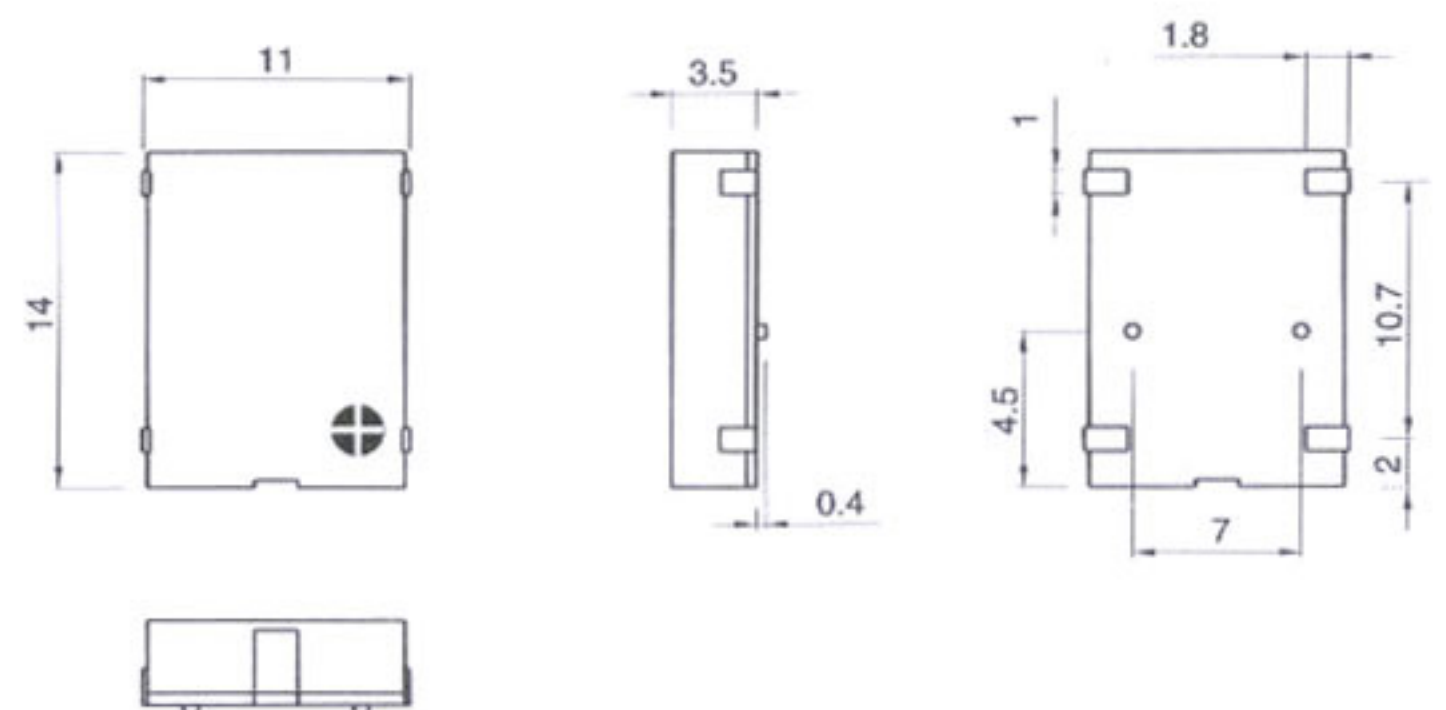
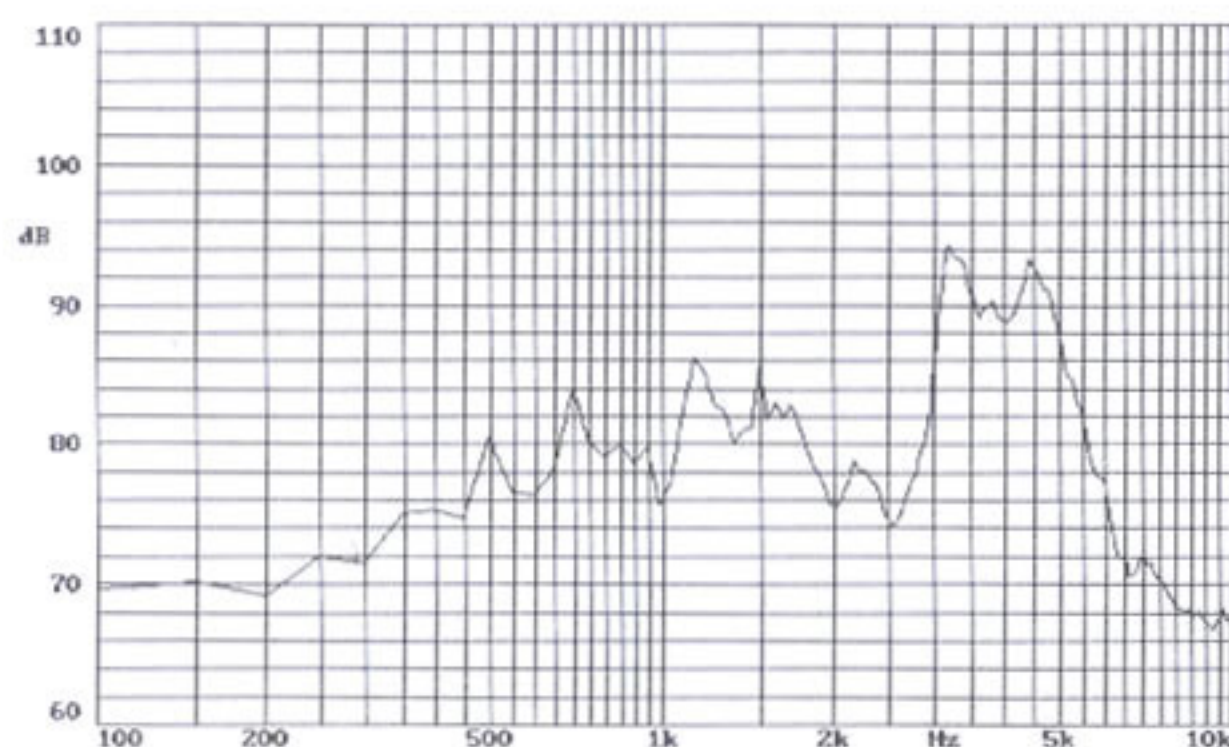
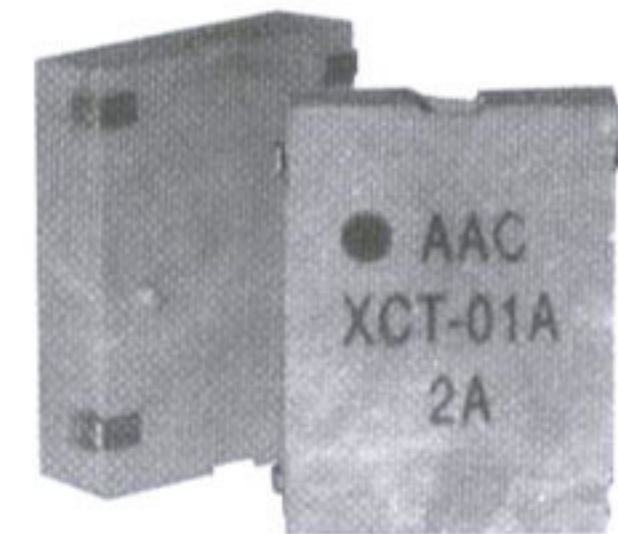
Rated Voltage (V)	3.0
Operating Voltage (V)	2.0 ~ 4.0
Rated Current (mA)	Max.100
Coil Resistance (Ω)	16
Sound Output at 10 cm (dB)	94(Typ)
Resonant Frequency (Hz)	3000
Operating Temp ($^{\circ}\text{C}$)	-30~+70
Storage Temp ($^{\circ}\text{C}$)	-40~+85



Tolerance: ± 0.2

XCT-01A

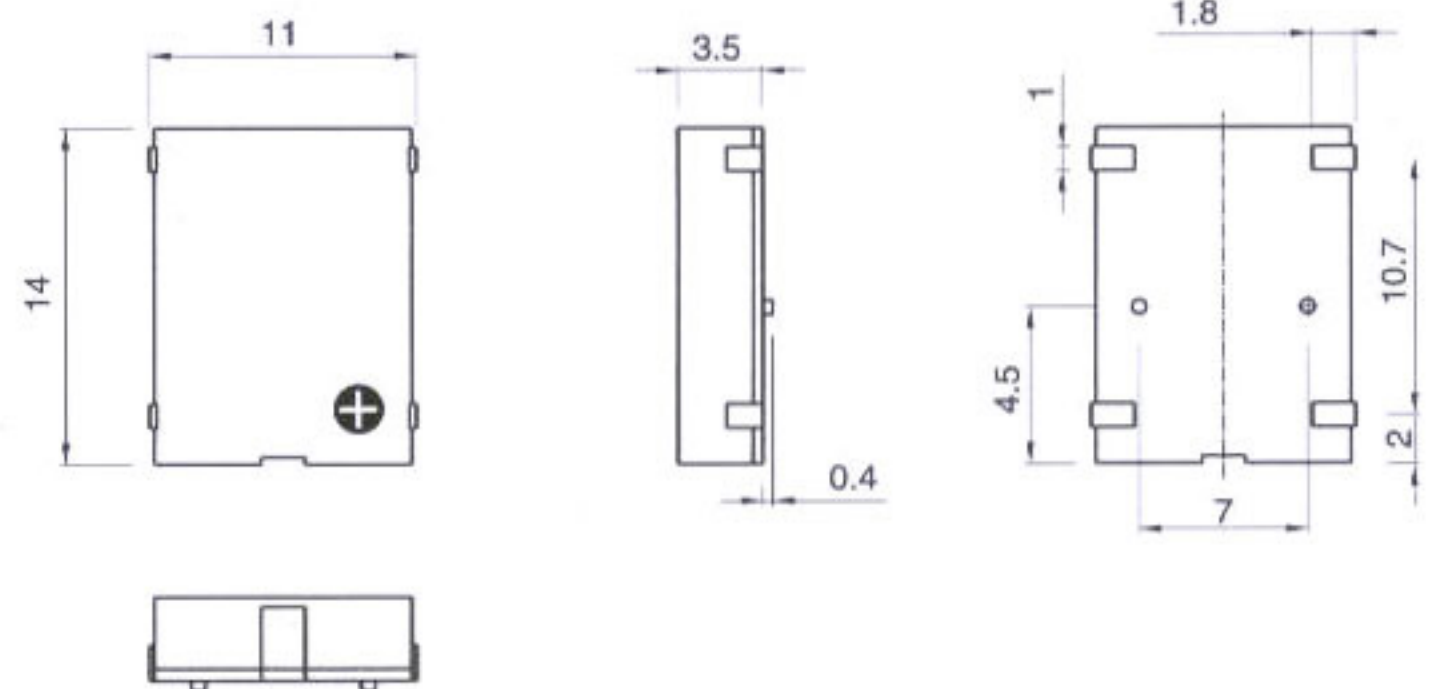
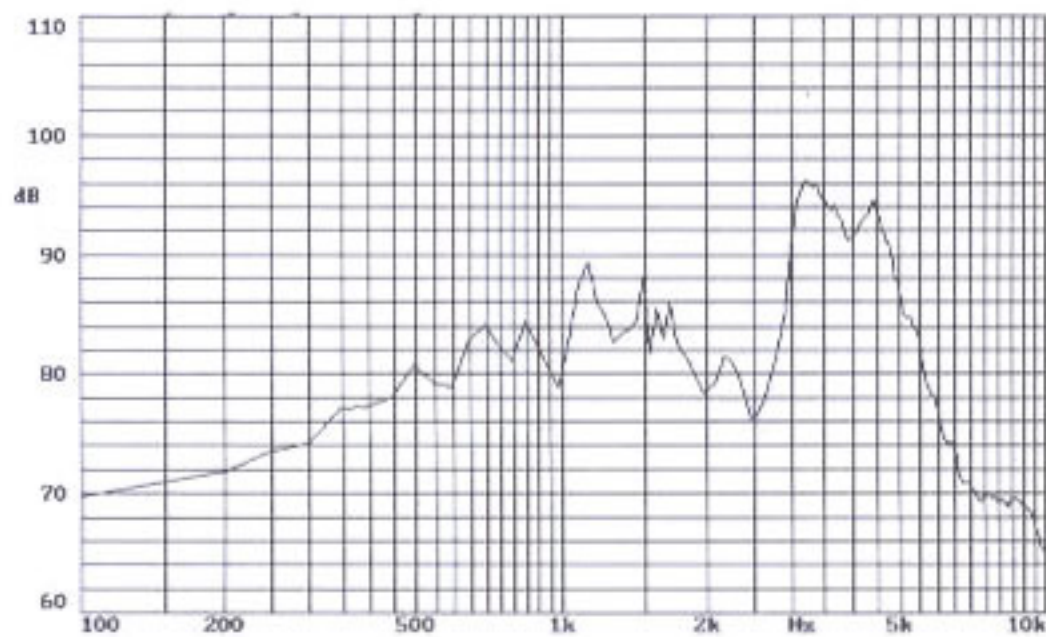
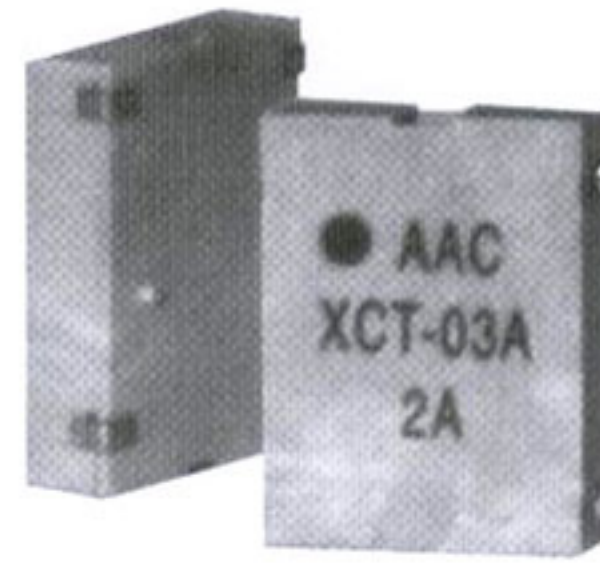
Rated Voltage (V)	1.5
Operating Voltage (V)	1.0 ~ 2.0
Rated Current (mA)	Max.80
Coil Resistance (Ω)	9
Sound Output at 10 cm (dB)	90(Typ)
Resonant Frequency (Hz)	3200
Operating Temp ($^{\circ}\text{C}$)	-40~+85
Storage Temp ($^{\circ}\text{C}$)	-40~+85



Tolerance: ± 0.2

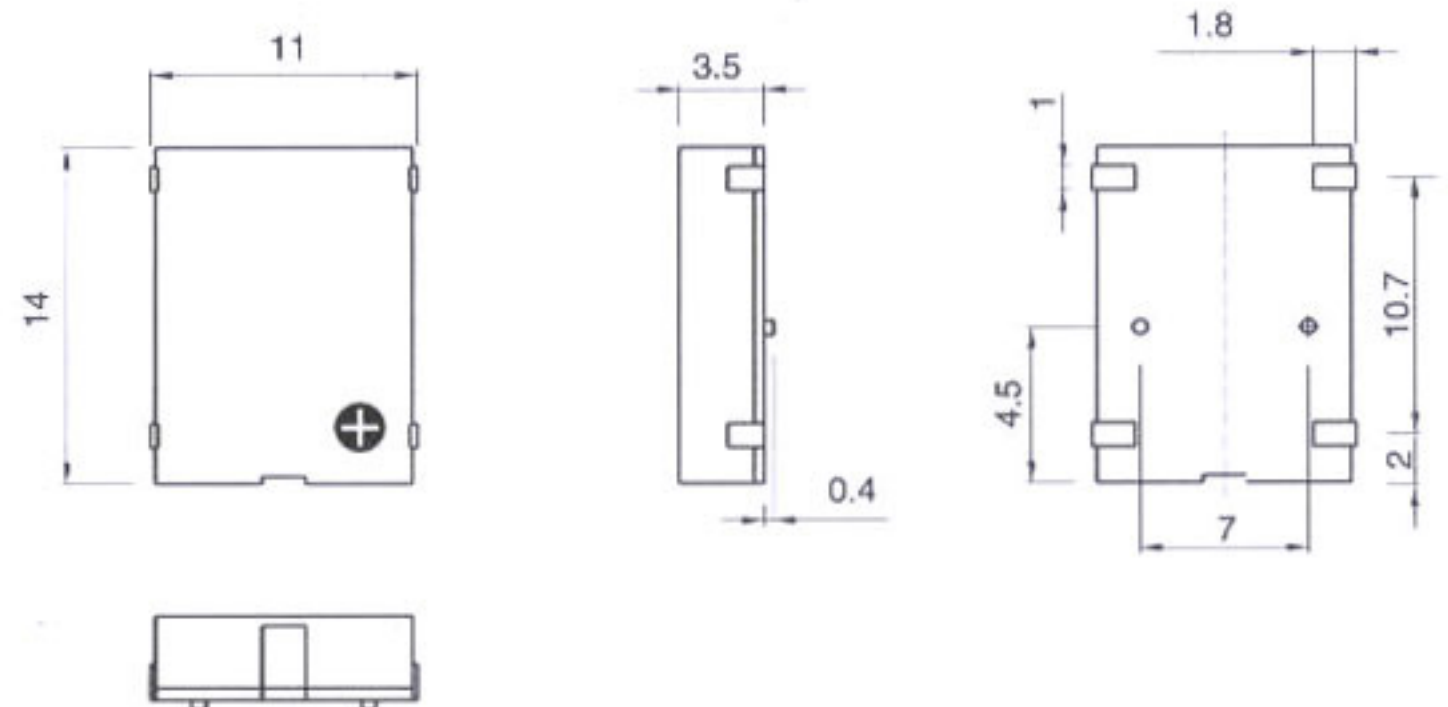
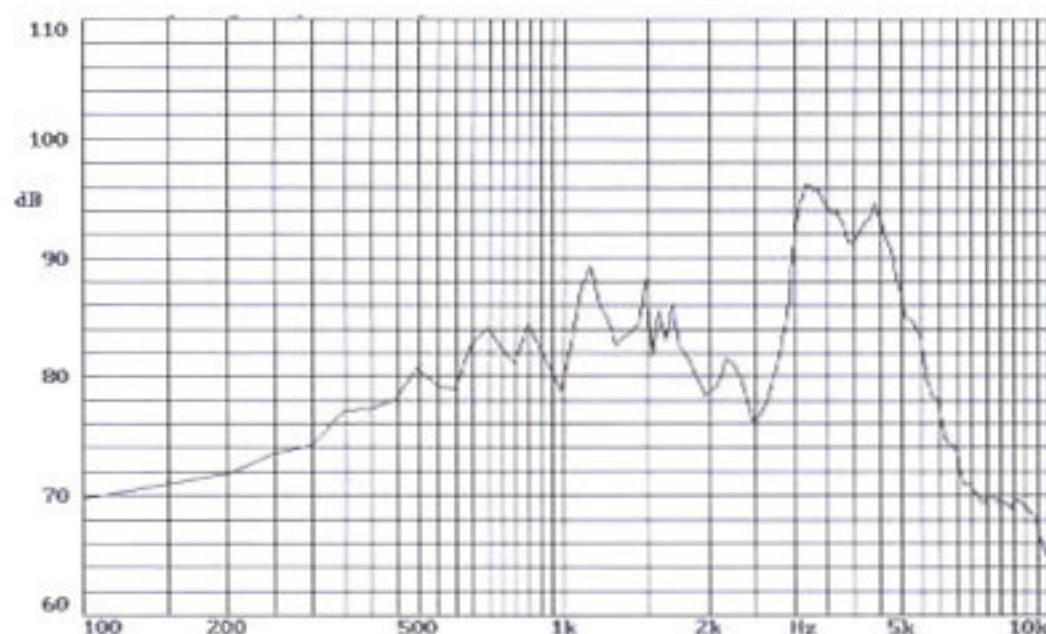
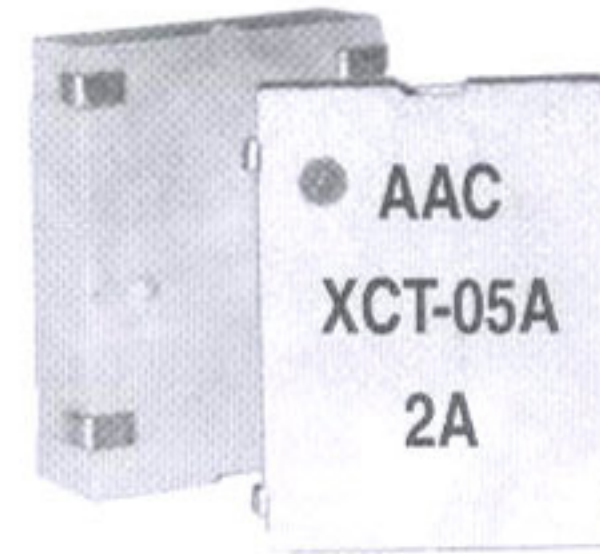
XCT-03A

Rated Voltage (V)	3.0
Operating Voltage (V)	2.0 ~ 4.5
Rated Current (mA)	Max.70
Coil Resistance (Ω)	19
Sound Output at 10 cm (dB)	92(Typ)
Resonant Frequency (Hz)	3200
Operating Temp ($^{\circ}\text{C}$)	-30~+70
Storage Temp ($^{\circ}\text{C}$)	-40~+85



XCT-05A

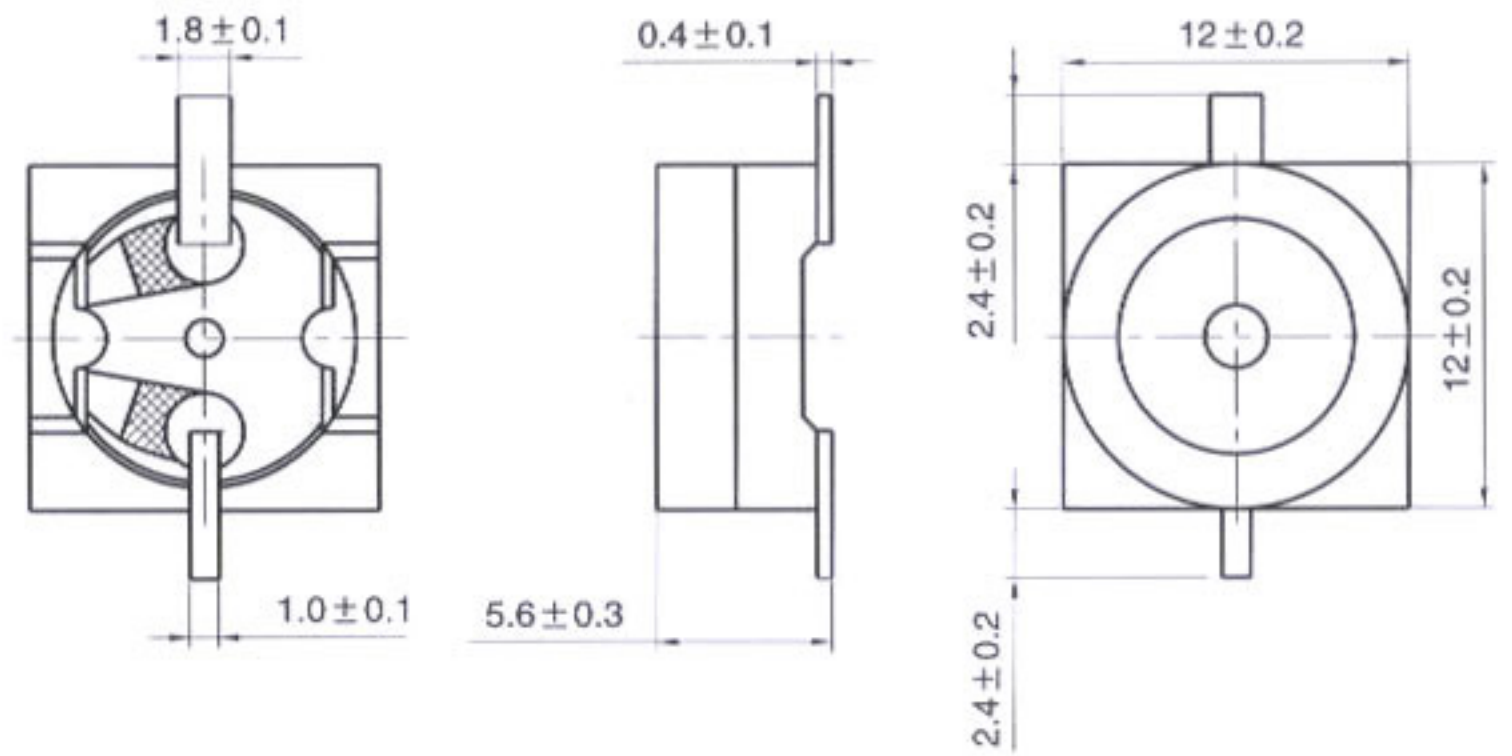
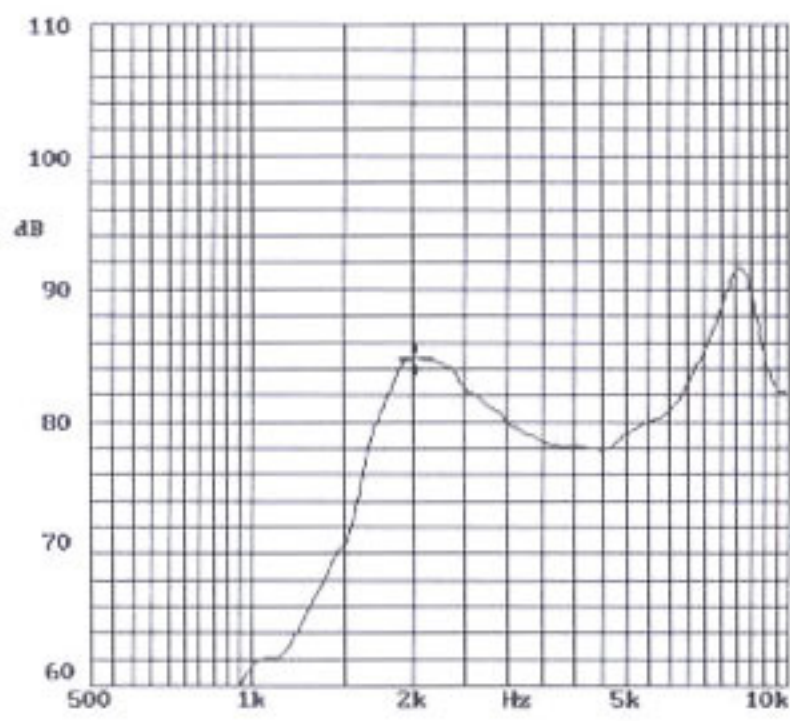
Rated Voltage (V)	5.0
Operating Voltage (V)	3.0 ~ 7.0
Rated Current (mA)	Max.100
Coil Resistance (Ω)	25
Sound Output at 10 cm (dB)	≥ 87
Resonant Frequency (Hz)	3200
Operating Temp ($^{\circ}\text{C}$)	-30~+70
Storage Temp ($^{\circ}\text{C}$)	-40~+85



Tolerance: ± 0.2

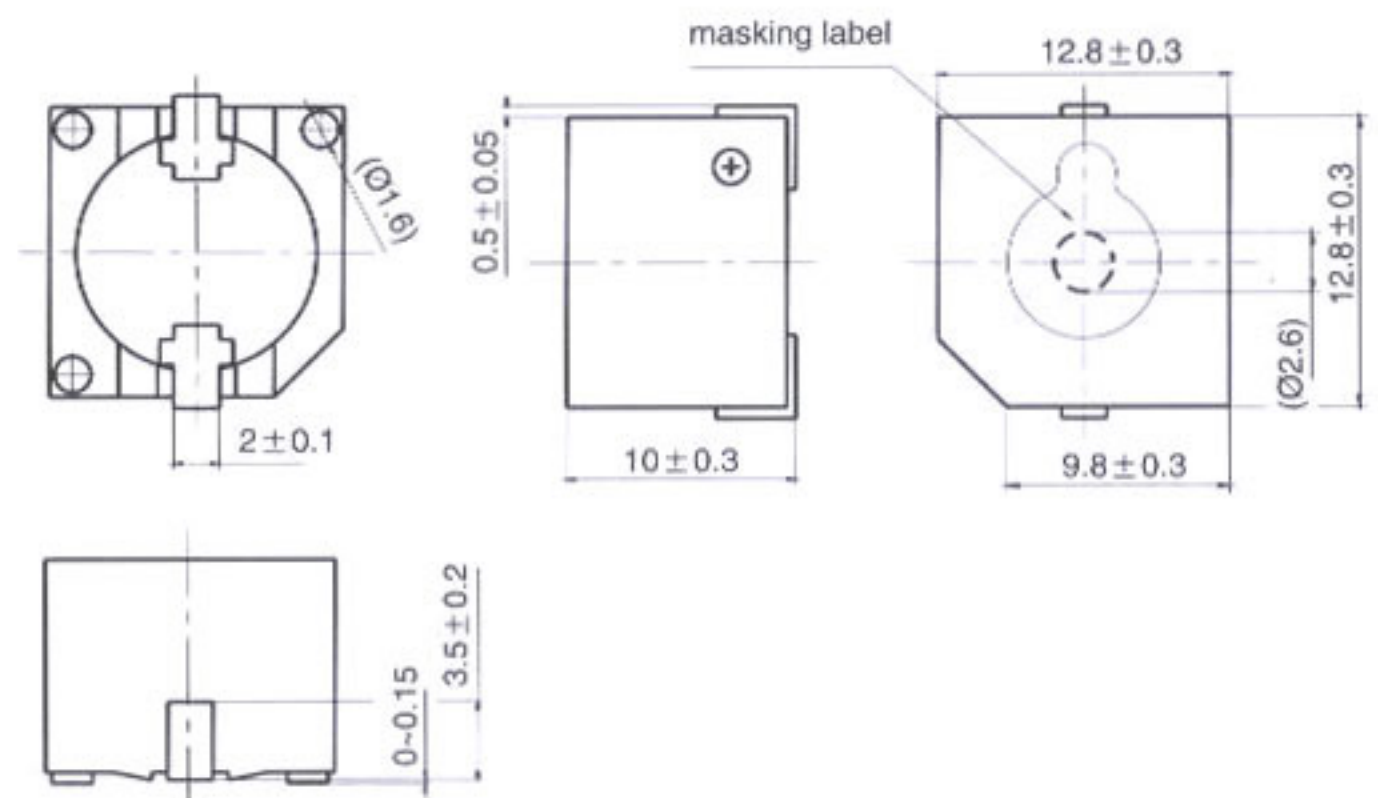
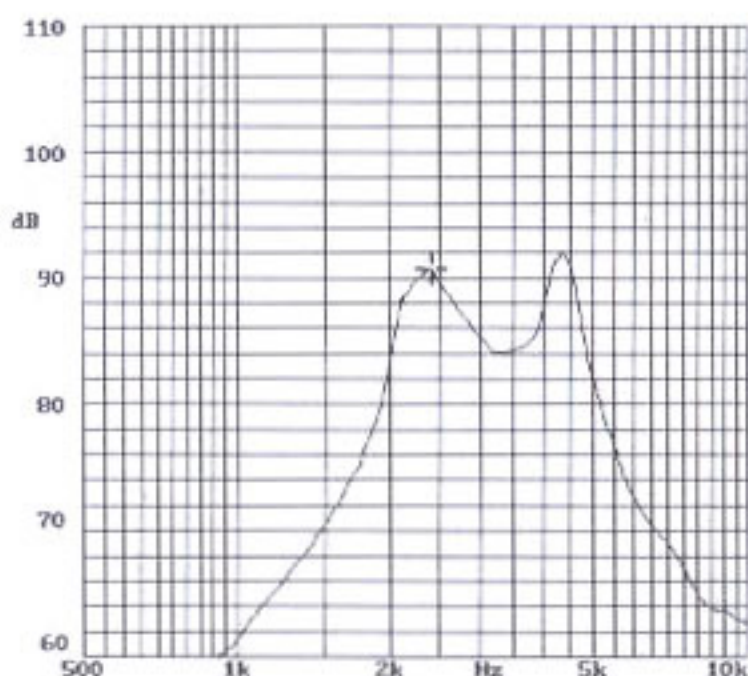
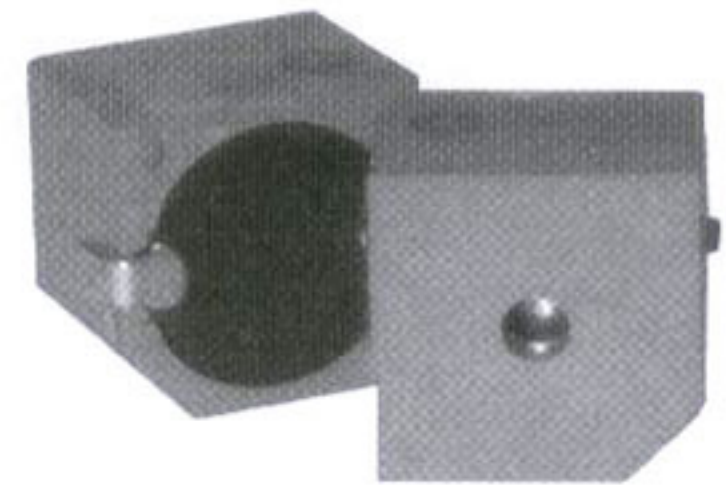
XCT-105

Rated Voltage (V)	1.5
Operating Voltage (V)	1~2
Rated Current (mA)	Max. 30
Coil Resistance (Ω)	15 ± 7.5
Coil Impedance (Ω)	40
Sound Output at 10 cm (dB)	Min.70
Resonant Frequency (Hz)	2048
Operating Temperature($^{\circ}\text{C}$)	-40 ~ +70
Storage Temperature($^{\circ}\text{C}$)	-40 ~ +80
Weight (g)	2



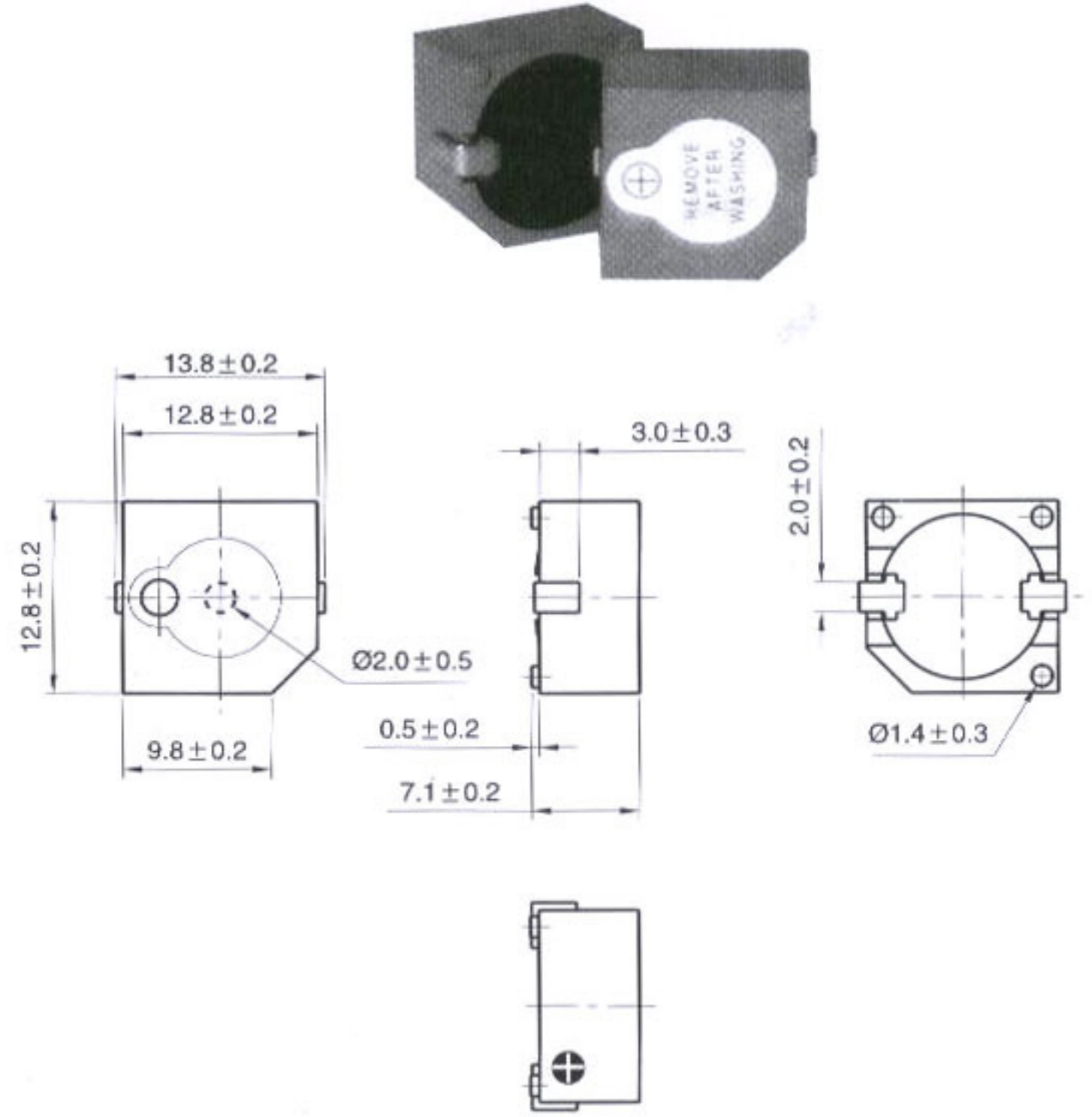
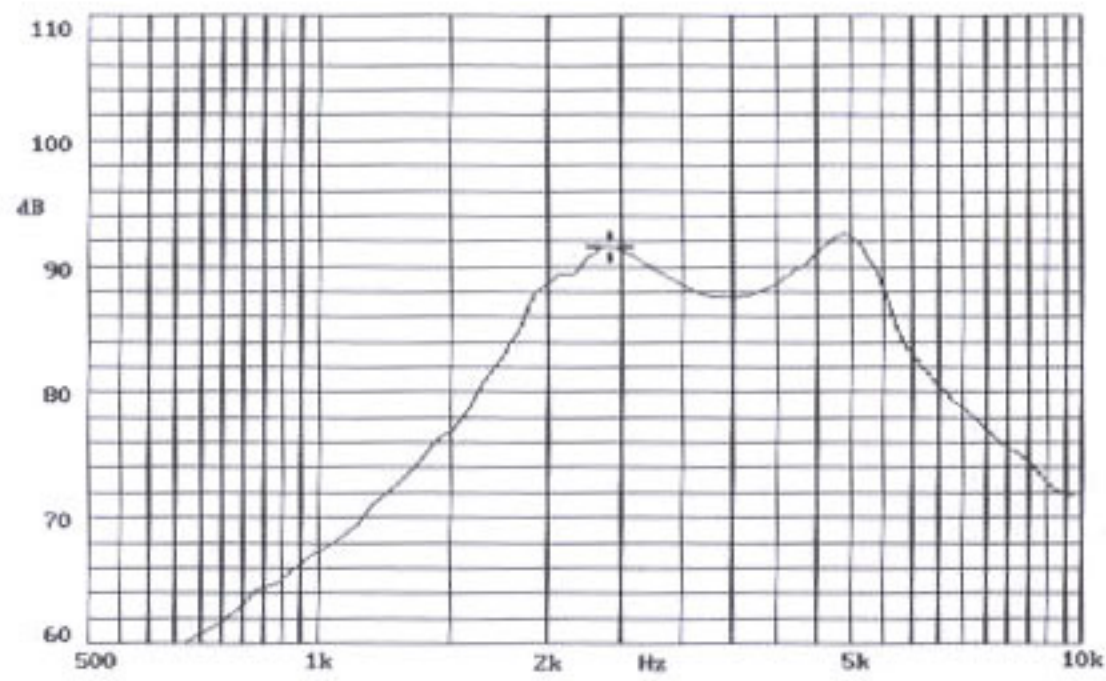
XCT08/09/10

Type	XCT10	XCT08	XCT09
Rated Voltage (V)	1.5	5	12
Operating Voltage (V)	1~3	4~7	8~16
Rated Current (mA)	Max. 30	Max. 40	
Coil Resistance (Ω)	15 ± 4	47 ± 5	140 ± 14
Coil Impedance (Ω)	40	80	240
Sound Output at 10 cm (dB)	Min.85	Min.90	
Resonant Frequency (Hz)	2400		
Operating Temperature($^{\circ}\text{C}$)	-40 ~ +85		
Storage Temperature($^{\circ}\text{C}$)	-40 ~ +90		
Weight (g)	2		



MET141A

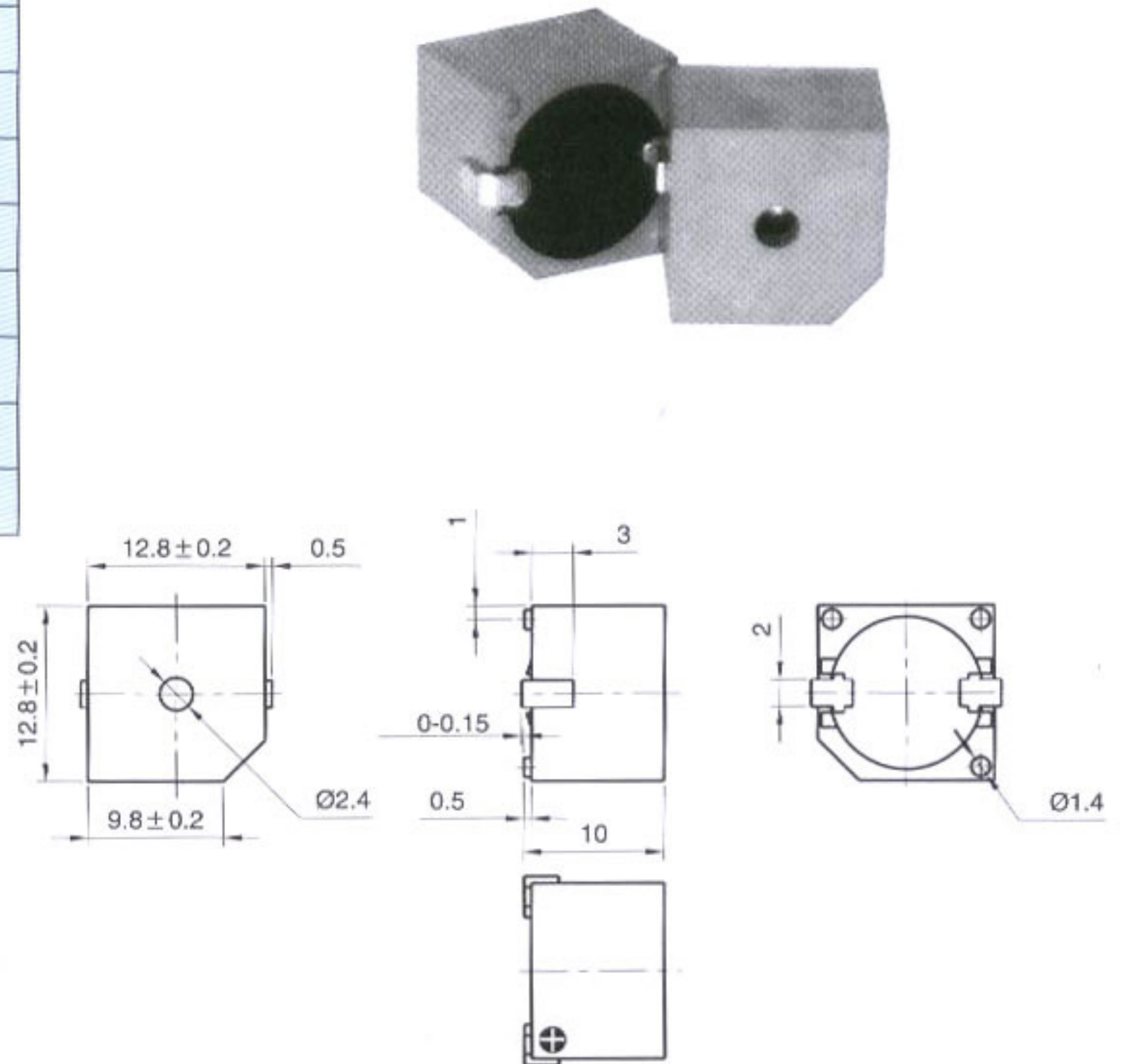
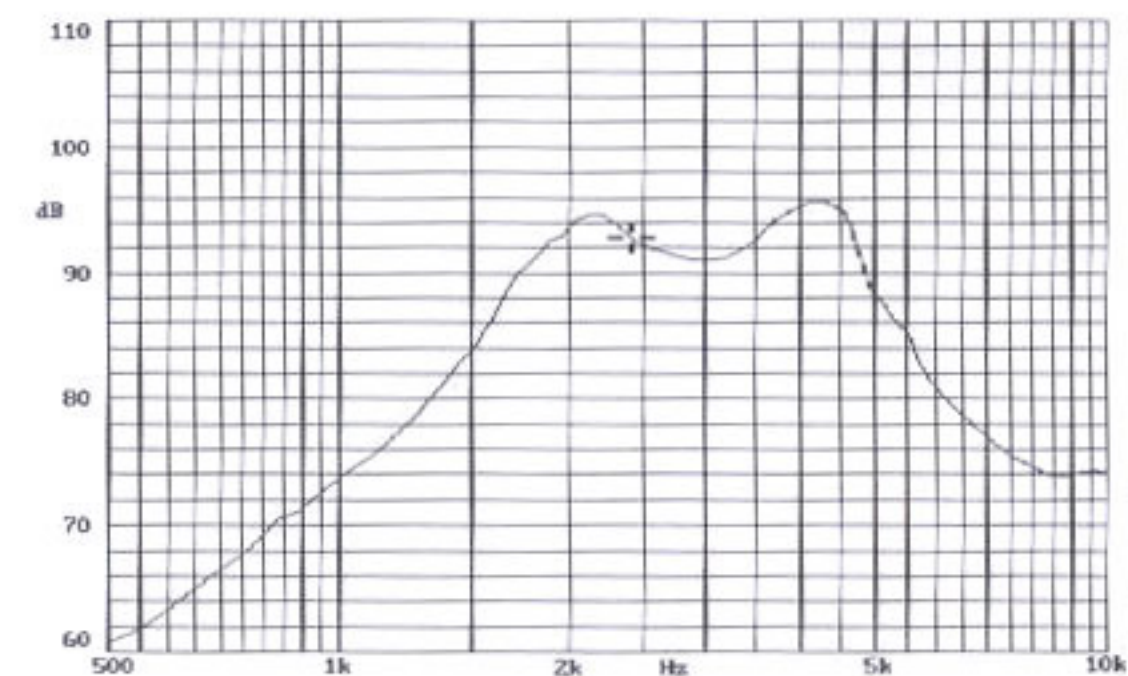
Type	MET141A
Rated Voltage (V)	5
Operating Voltage (V)	3~7
Rated Current (mA)	Max.40
Coil Resistance (Ω)	47 ± 3
Sound Output at 10cm (dB)	Min.90
Resonant Frequency (Hz)	2400 ± 200
Operating Temperature ($^{\circ}\text{C}$)	-40~+85
Storage Temperature ($^{\circ}\text{C}$)	-40~+85



Tolerance not noted: $\pm 0.3\text{mm}$

MET141

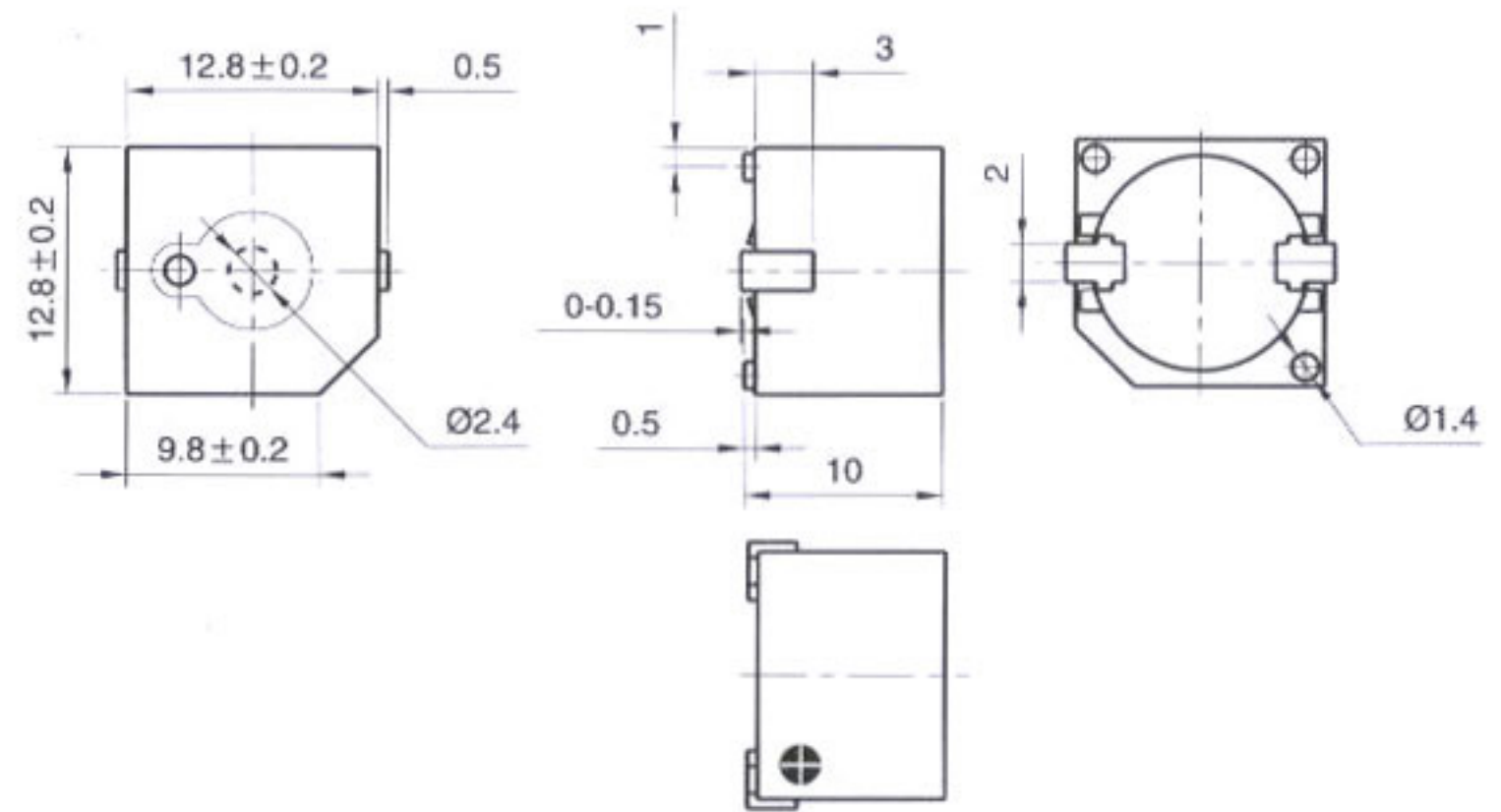
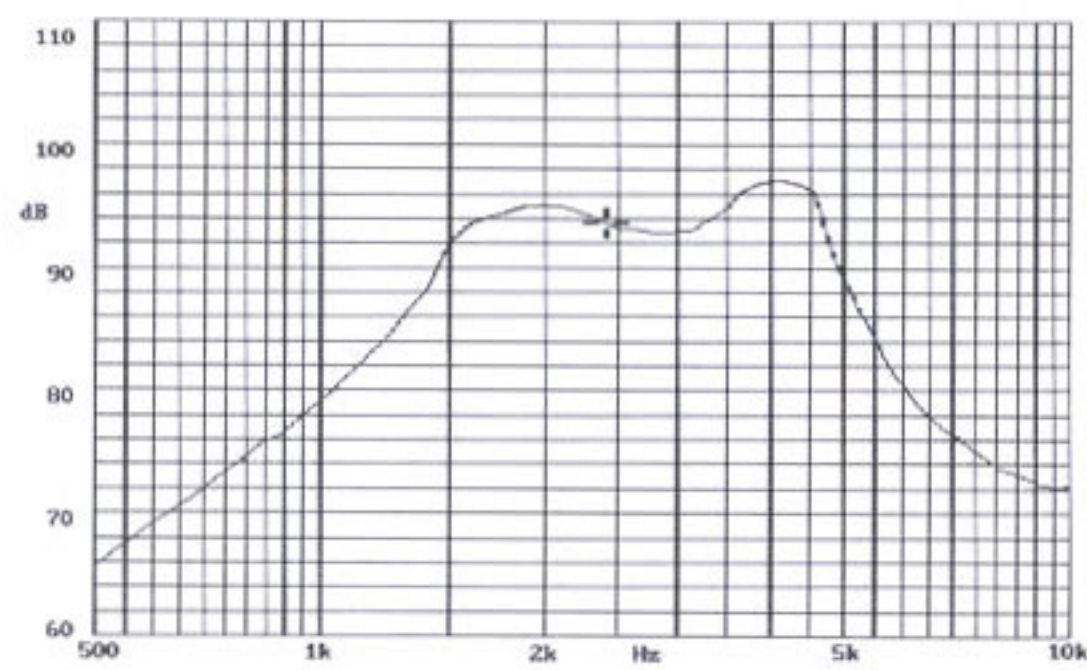
Type	MET141
Rated Voltage (V)	5
Operating Voltage (V)	4~8
Rated Current (mA)	Max.40
Coil Resistance (Ω)	47 ± 5
Sound Output at 10cm (dB)	Min.87
Resonant Frequency (Hz)	2400
Operating Temperature ($^{\circ}\text{C}$)	-40~+85
Storage Temperature ($^{\circ}\text{C}$)	-40~+85
Weight (g)	3



Tolerance not noted: $\pm 0.3\text{mm}$

MET142

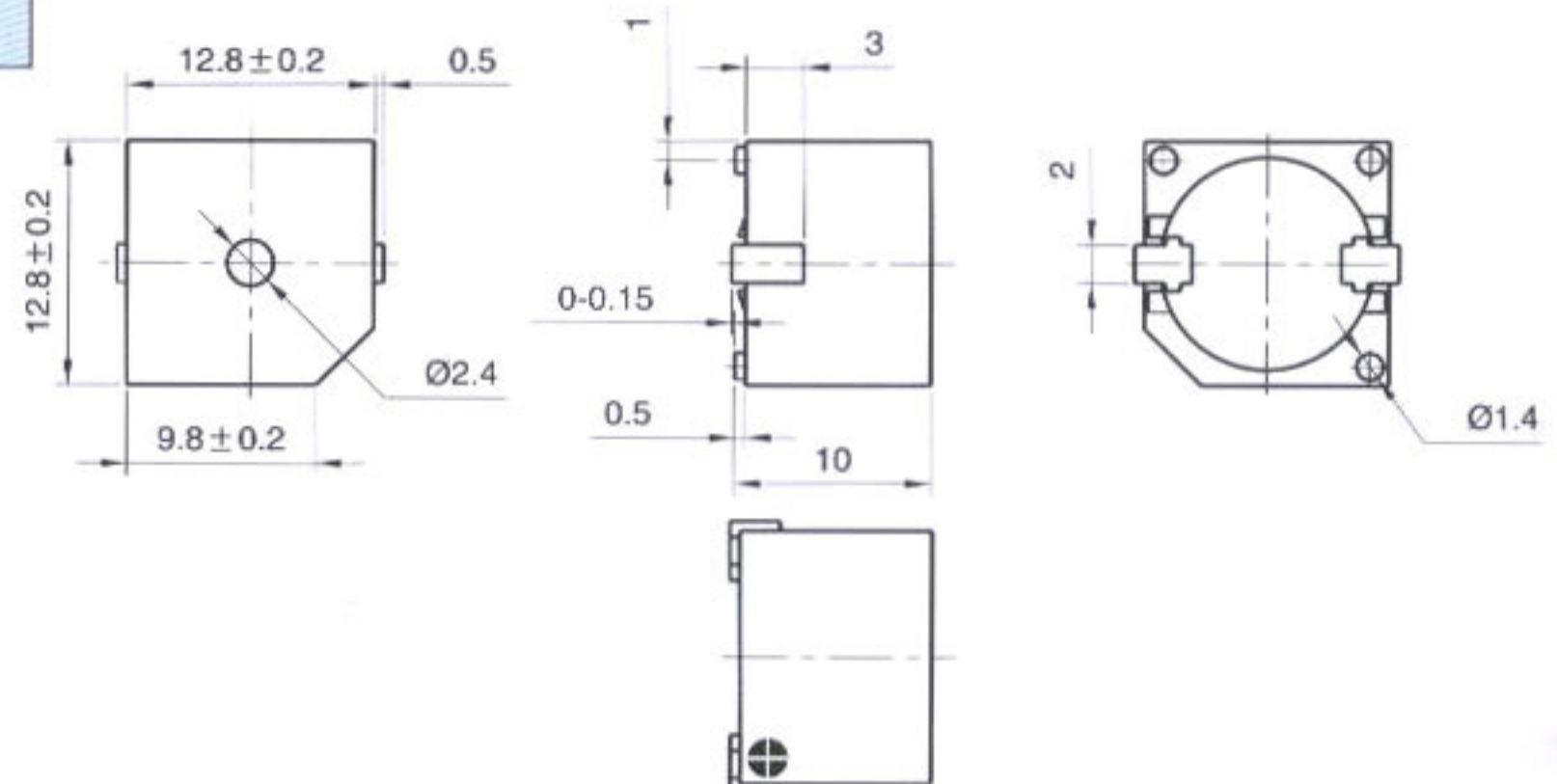
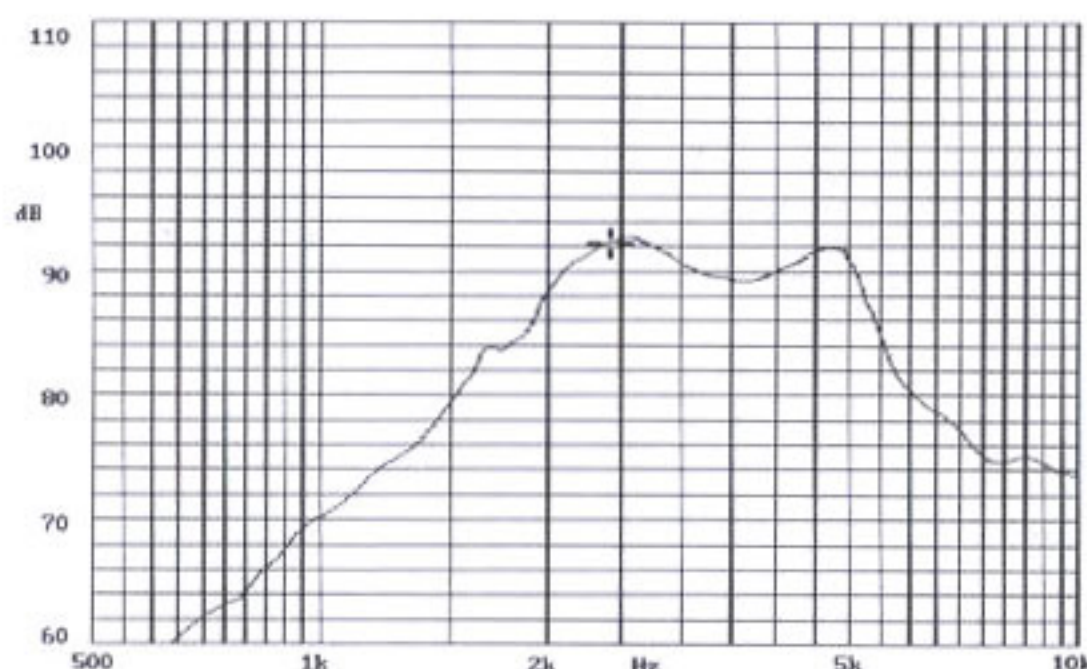
Type	MET142
Rated Voltage (V)	12
Operating Voltage (V)	8~16
Rated Current (mA)	Max.40
Coil Resistance (Ω)	140 ± 14
Sound Output at 10cm (dB)	Min.90
Resonant Frequency (Hz)	2400
Operating Temperature ($^{\circ}\text{C}$)	-40~+85
Storage Temperature ($^{\circ}\text{C}$)	-40~+85
Weight (g)	3



Tolerance not noted: $\pm 0.3\text{mm}$

MET1402

Type	MET1402
Rated Voltage (V)	5
Operating Voltage (V)	3~7
Rated Current (mA)	Max.120
Coil Resistance (Ω)	8 ± 1
Sound Output at 10cm (dB)	Min.90 ; Nom.94
Resonant Frequency (Hz)	2400
Operating Temperature ($^{\circ}\text{C}$)	-40~+85
Storage Temperature ($^{\circ}\text{C}$)	-40~+85
Weight (g)	3



Tolerance not noted: $\pm 0.3\text{mm}$