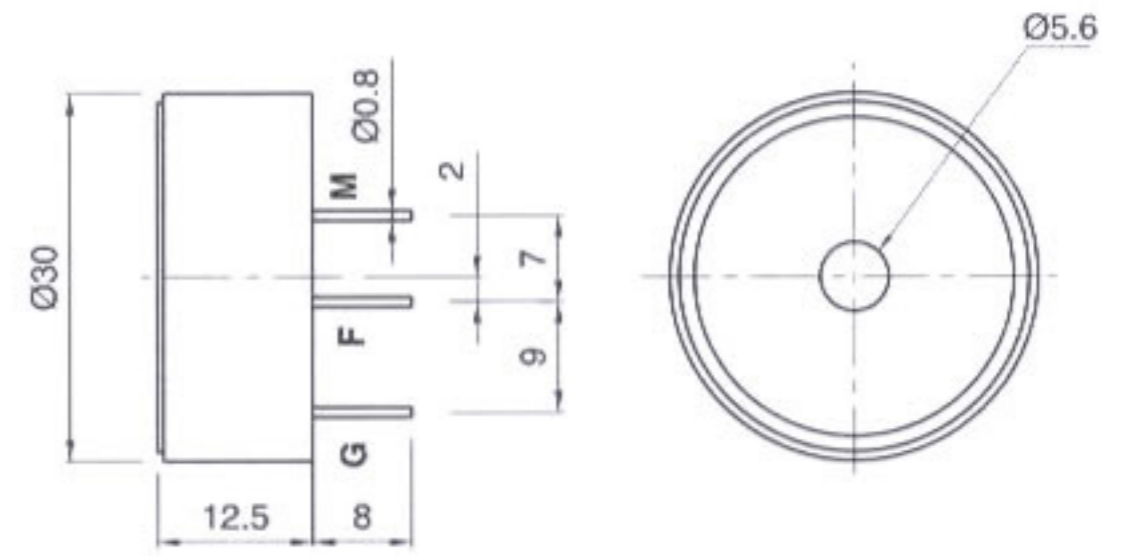
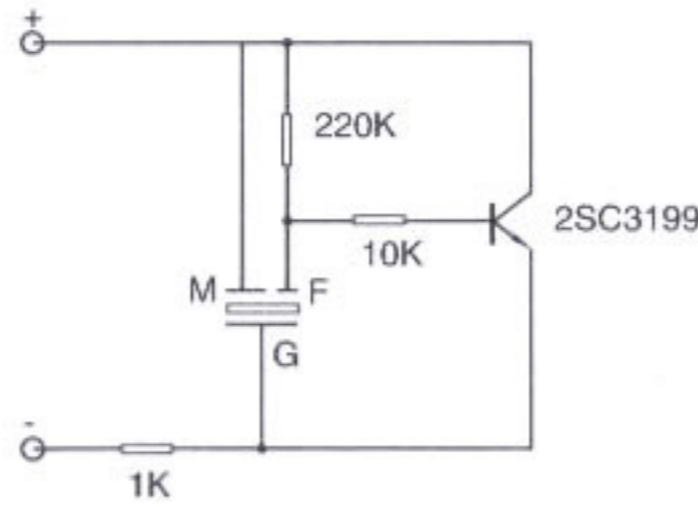
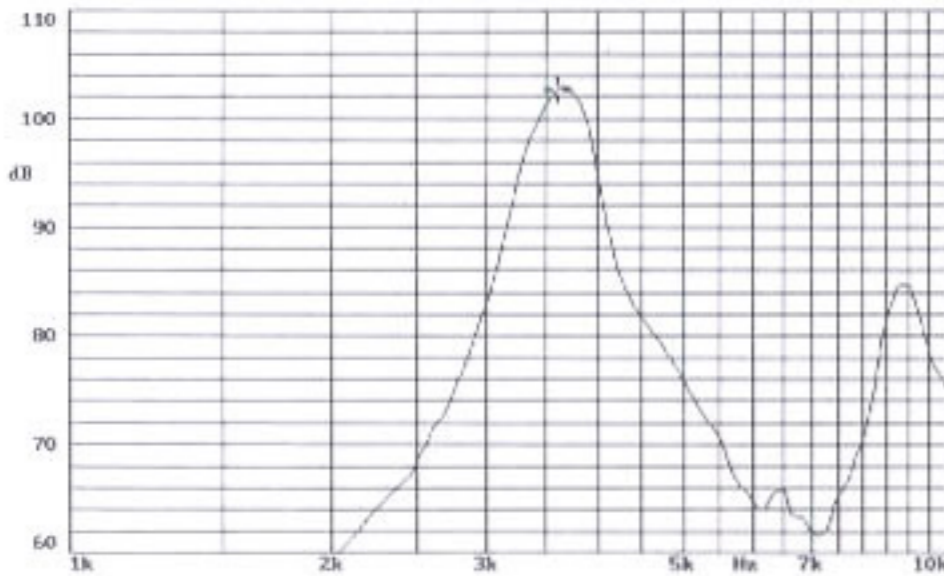
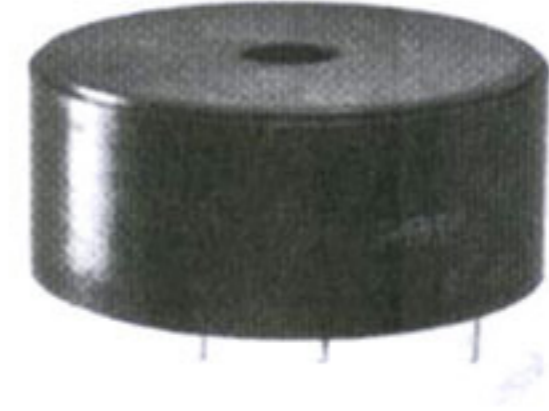


XY1172

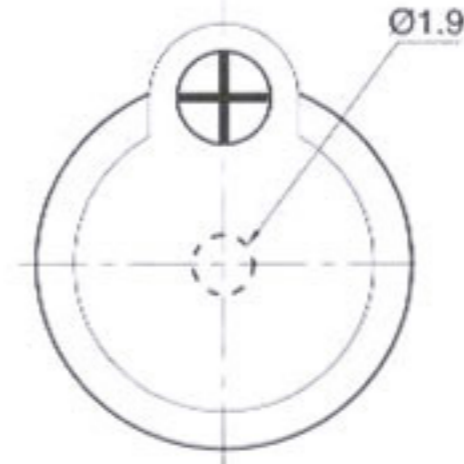
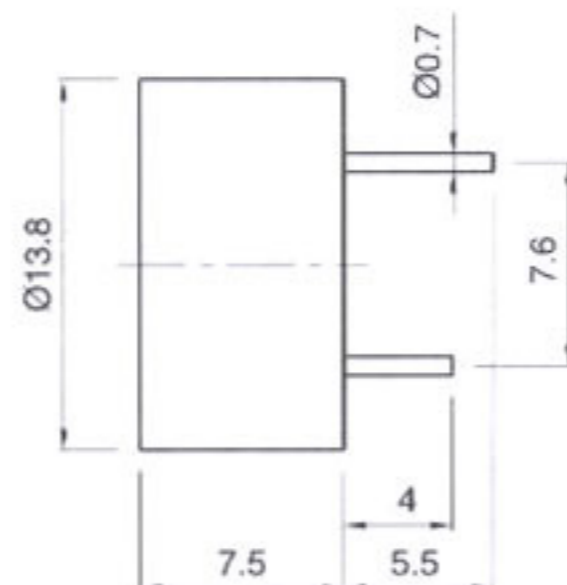
Operating Voltage (V _{DC})	3 ~ 30
Rated Voltage (V _{DC})	12
S.P.L at 10 cm (dB)	> 88
Resonant Frequency (Hz)	3600 ± 500
Current (mA)	< 10
Operating Temp (°C)	-20~+70
Storage Temp (°C)	-30~+80



Tolerance: ± 0.5

FY14/FY14A

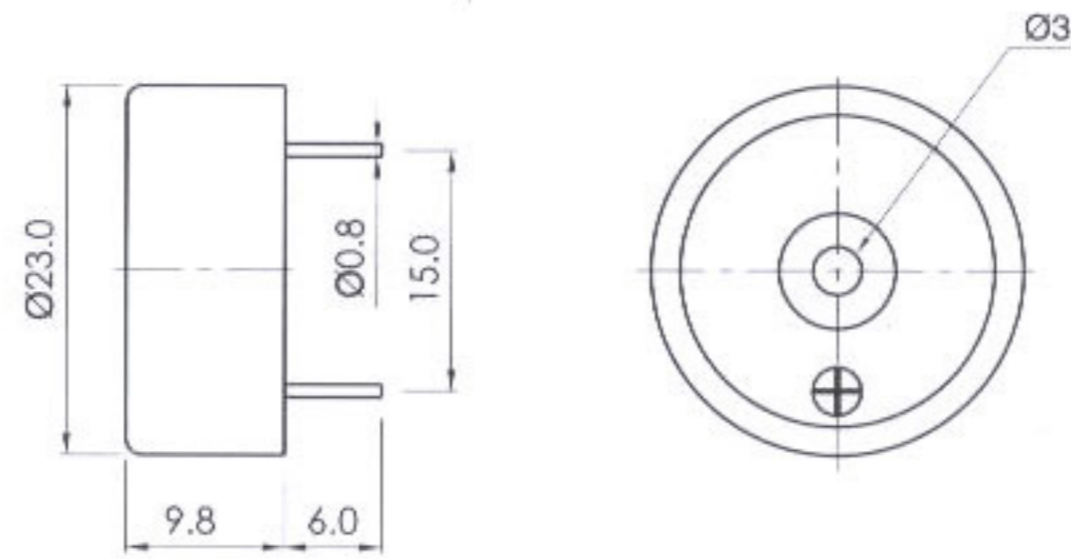
Type	FY14	FY14A
Operating Voltage (V _{DC})	3~16	3~16
Rated Voltage (V _{DC})	12	12
S.P.L at 10 cm (dB)	> 80	> 85
Resonant Frequency (Hz)	4000 ± 500	4800 ± 400
Current (mA)	< 7	< 10
Operating Temp (°C)	-20~+70	-20~+70
Storage Temp (°C)	-30~+80	-30~+80



Tolerance: ± 0.5

FY23

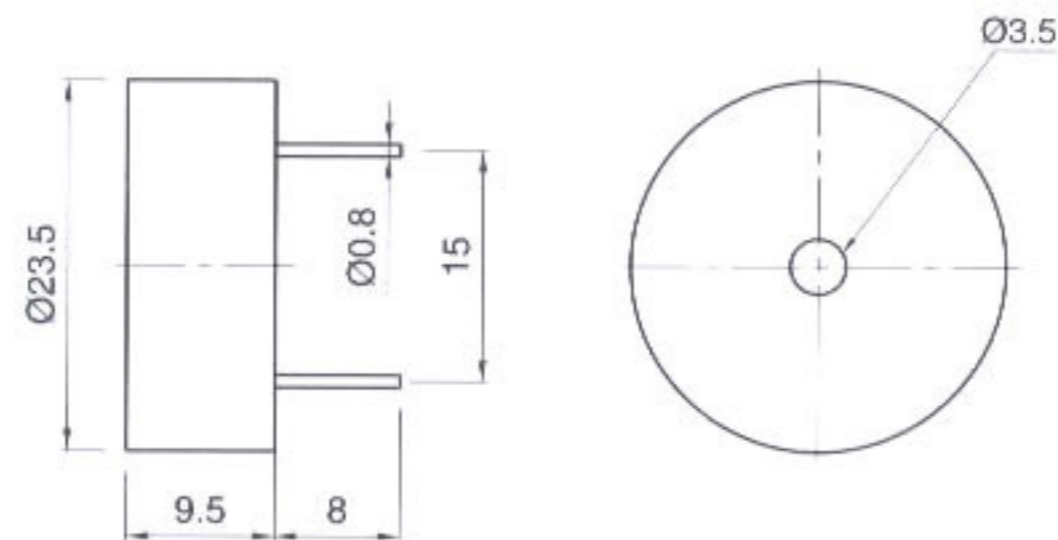
Operating Voltage (V _{DC})	1.5~24
Rated Voltage (V _{DC})	12
S.P.L at 30cm (dB)	≥ 85
Resonant Frequency (Hz)	3500 ± 500
Current (mA)	≤ 10
Operating Temp (°C)	-20 ~ +60
Storage Temp (°C)	-30 ~ +70



Tolerance: ±0.5

FY24/FY24A

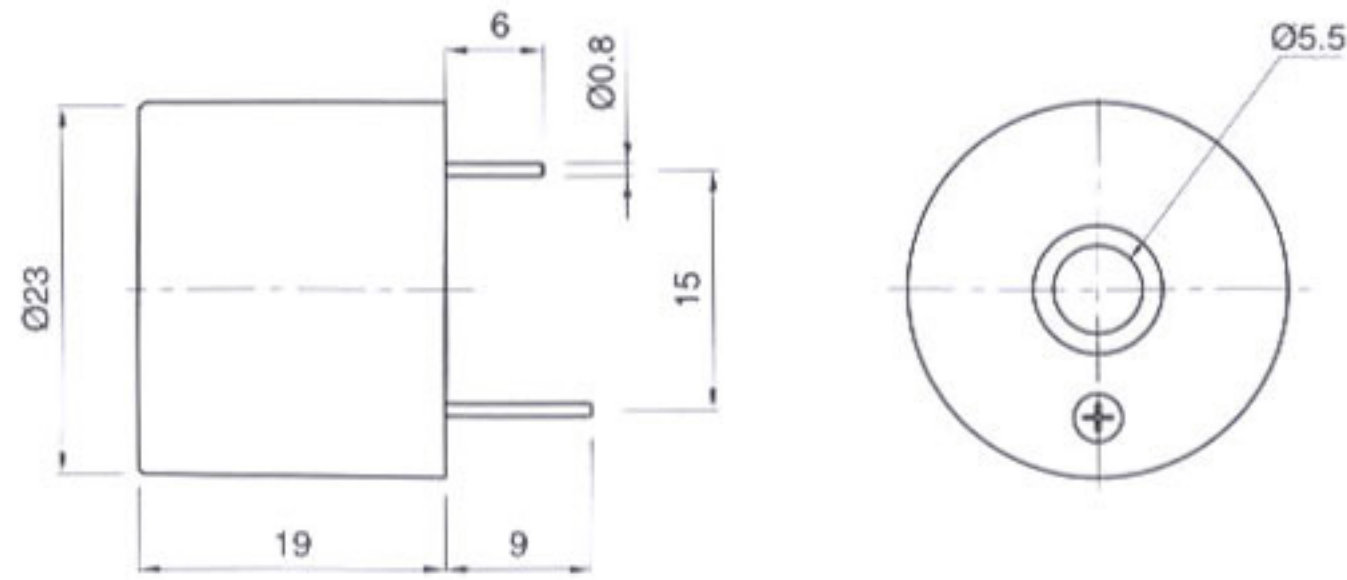
Type	FY24	FY24A
Operating Voltage (V _{DC})	3 ~ 20	3 ~ 20
Rated Voltage (V _{DC})	12	12
S.P.L at 10cm (dB)	≥ 86	≥ 95
Resonant Frequency (Hz)	3400 ± 500	3400 ± 500
Current (mA)	≤ 15	≤ 10
Operating Temp (°C)	-20 ~ +70	-20 ~ +70
Storage Temp (°C)	-30 ~ +80	-30 ~ +80



Tolerance: ±0.5

FY24B

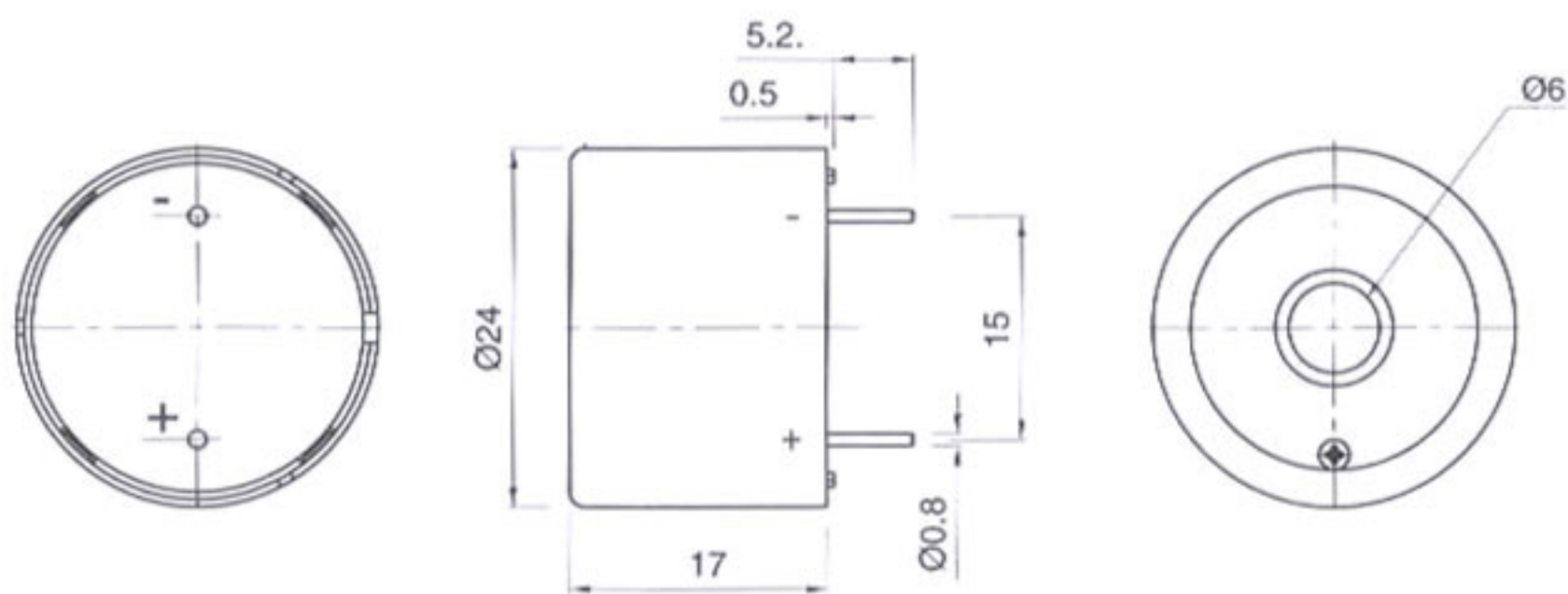
Operating Voltage (Vdc)	3 ~ 20
Rated Voltage (Vdc)	12
S.P.L at 30 cm (dB)	≥ 95
Resonant Frequency (Hz)	3300 ± 500
Current (mA)	≤ 20
Operating Temp (°C)	-20 ~ +70
Storage Temp (°C)	-30 ~ +80



Tolerance: ± 0.5

FY24C

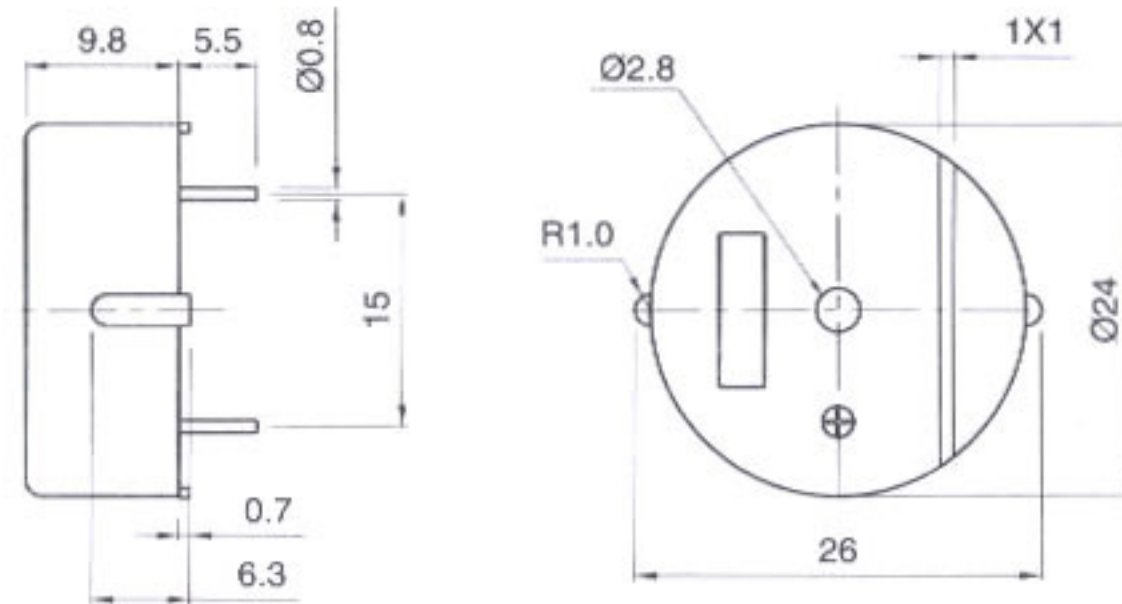
Operating Voltage (Vdc)	3 ~ 20
Rated Voltage (Vdc)	12
S.P.L at 30cm (dB)	≥ 85
Resonant Frequency (Hz)	3800 ± 500
Current (mA)	≤ 20
Operating Temp (°C)	-20 ~ +70
Storage Temp (°C)	-30 ~ +80



Tolerance: ± 0.5

FY24D

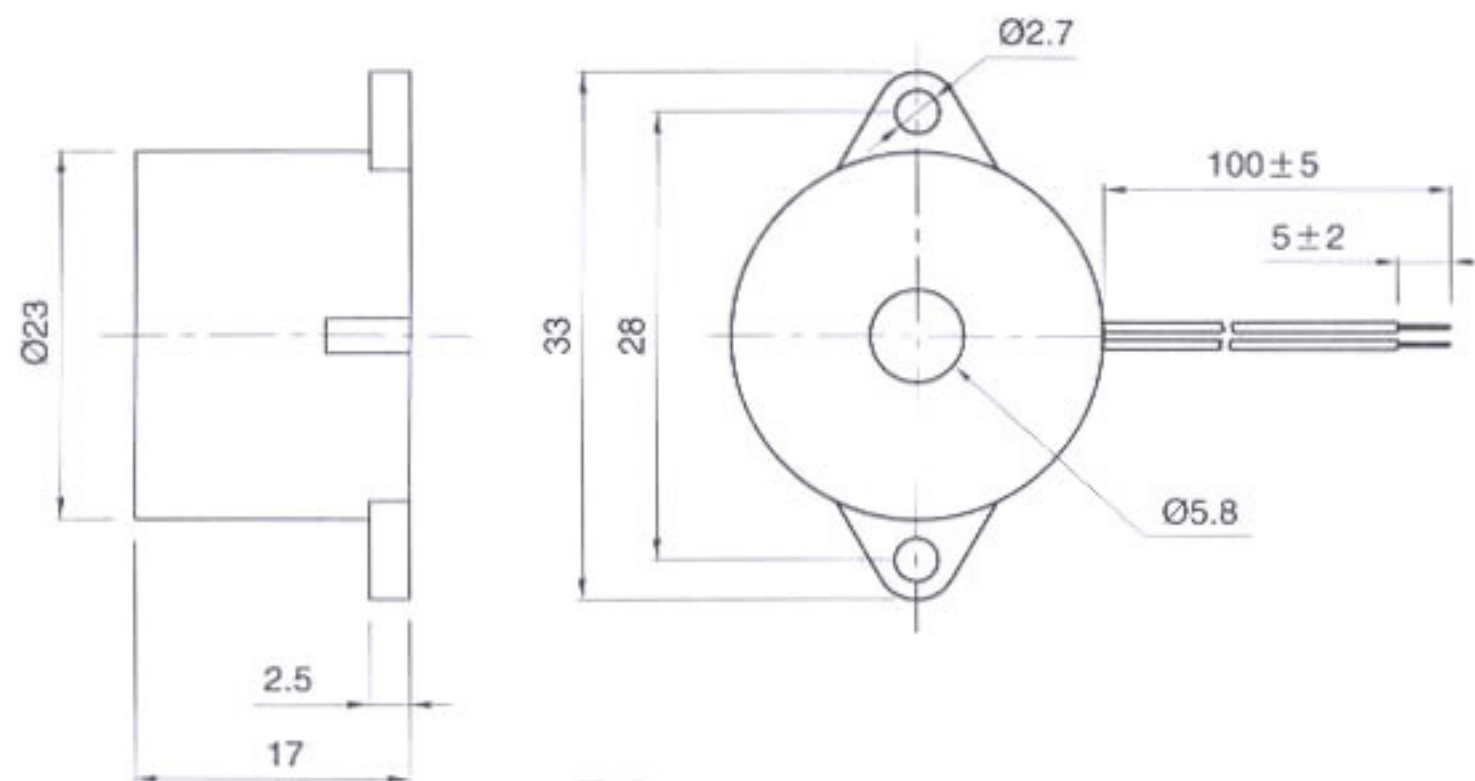
Operating Voltage (Vdc)	3 ~ 24
Rated Voltage (Vdc)	12
S.P.L at 30 cm (dB)	≥ 80
Resonant Frequency (Hz)	3000 ± 500
Current (mA)	≤ 15
Operating Temp (°C)	-20~+70
Storage Temp (°C)	-30~+80



Tolerance: ±0.5

FY250K

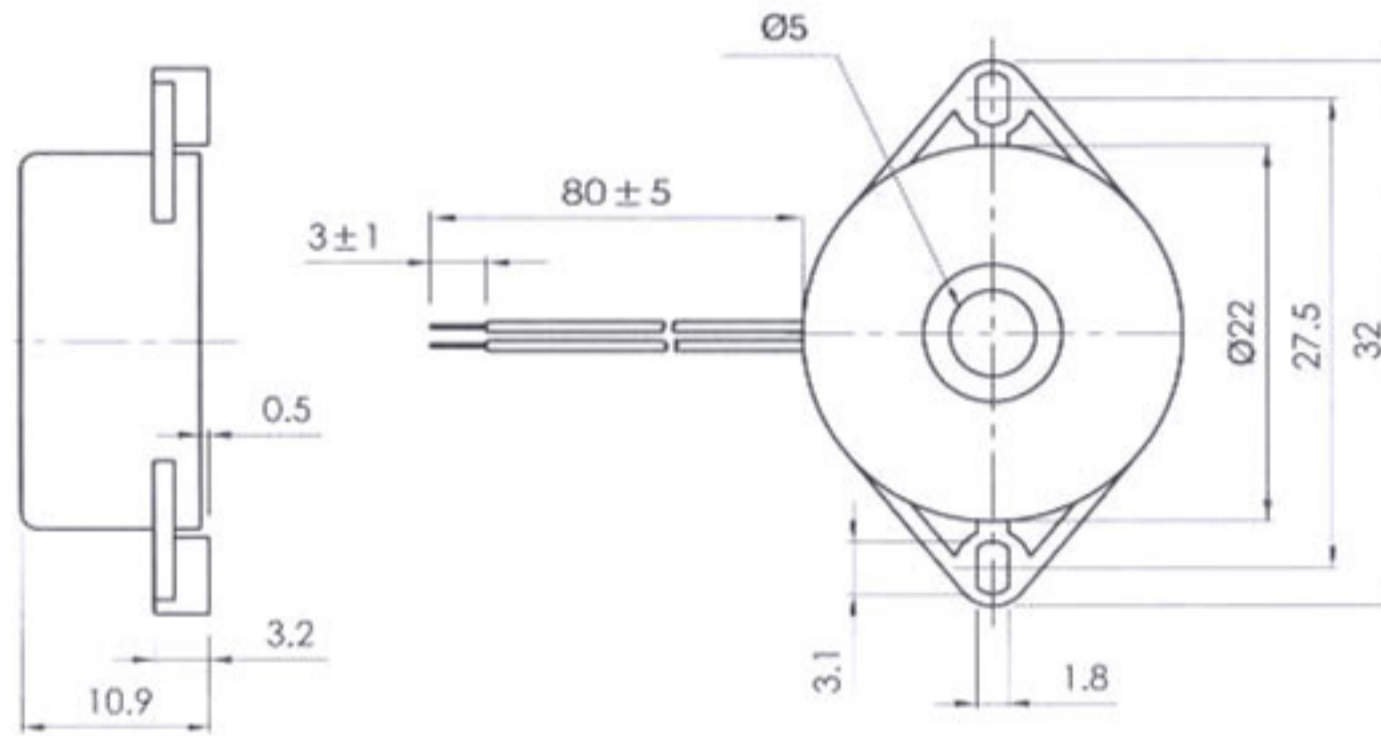
Operating Voltage (Vdc)	3 ~ 16
Rated Voltage (Vdc)	12
S.P.L at 30cm (dB)	≥ 90
Resonant Frequency (Hz)	3700 ± 500
Current (mA)	≤ 8
Operating Temp (°C)	-20 ~ +70
Storage Temp (°C)	-30 ~ +80



Tolerance: ±0.5

FY251

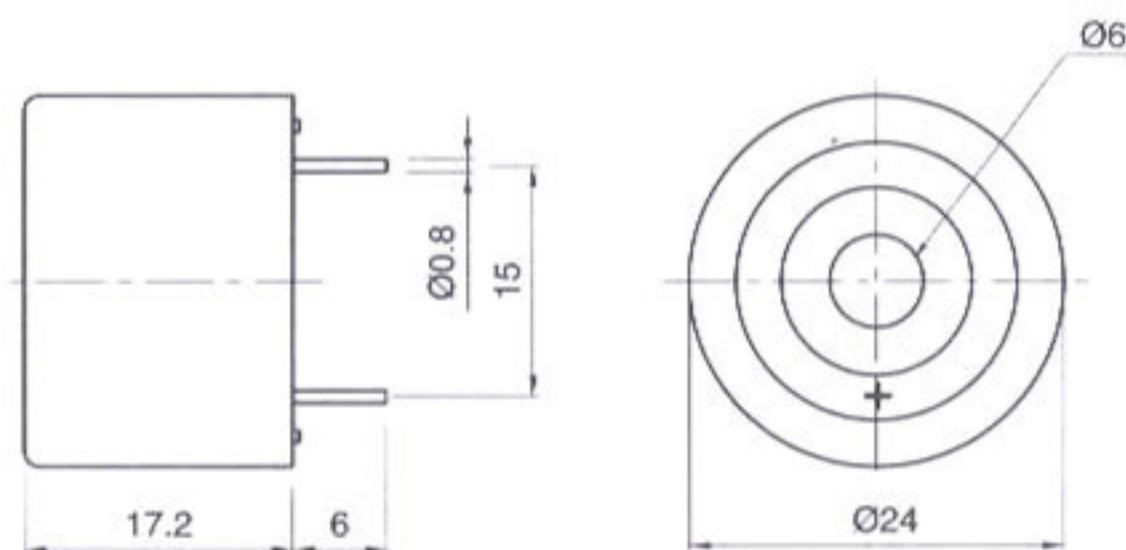
Operating Voltage (V _{DC})	3 ~ 20
Rated Voltage (V _{DC})	12
S.P.L at 30 cm (dB)	≥ 85
Resonant Frequency (Hz)	4500 ± 500
Current (mA)	≤ 8
Operating Temp (°C)	-20 ~ +70
Storage Temp (°C)	-30 ~ +80



Tolerance: ±0.5

FY254K/FY254KS

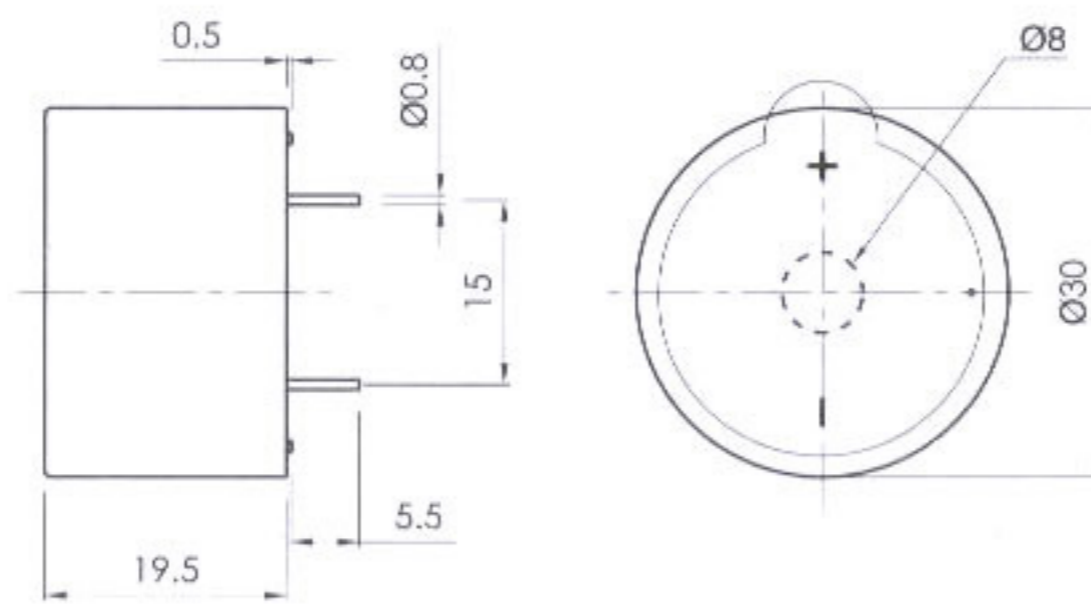
Operating Voltage (V _{DC})	3 ~ 20
Rated Voltage (V _{DC})	12
S.P.L at 30 cm (dB)	≥ 90
Resonant Frequency (Hz)	3700 ± 500
Current (mA)	≤ 8
Operating Temp (°C)	-20 ~ +70
Storage Temp (°C)	-30 ~ +80



Tolerance: ±0.5

FY30

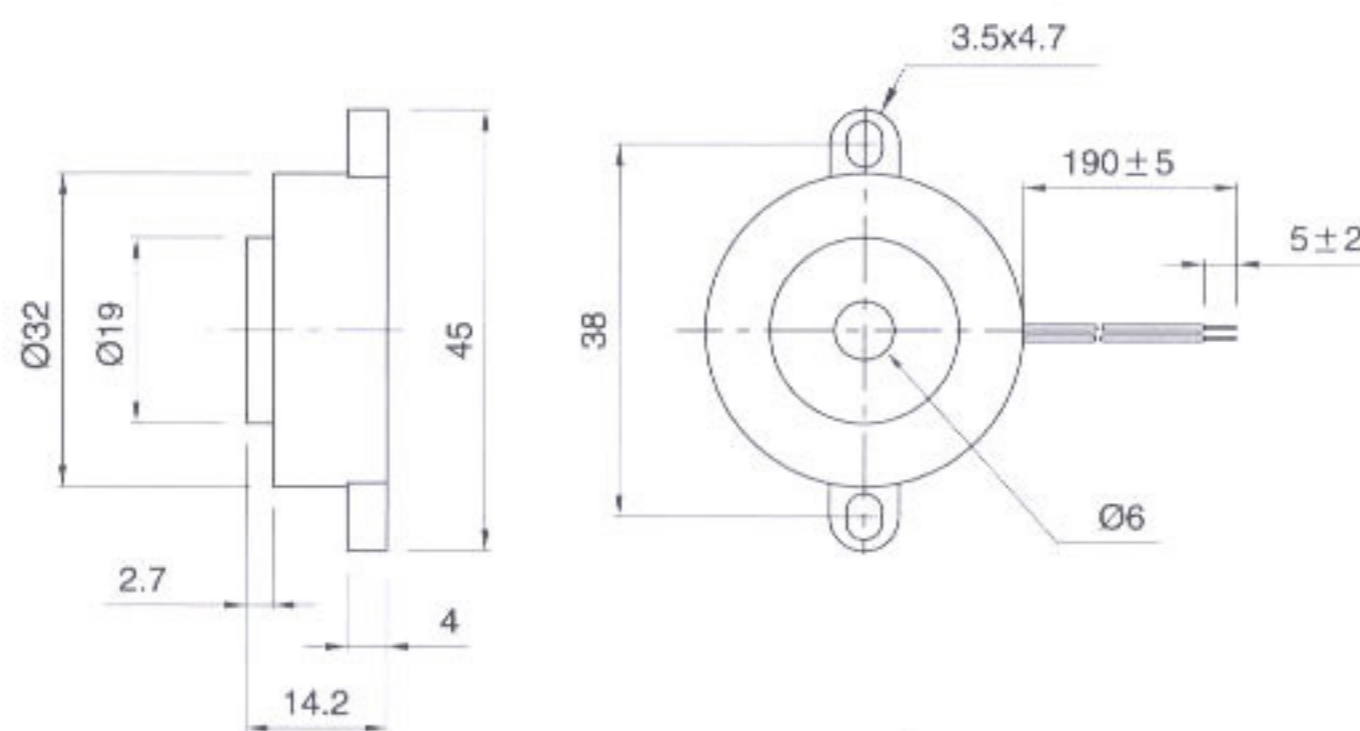
Operating Voltage (Vdc)	3 ~ 20
Rated Voltage (Vdc)	12
S.P.L at 30cm (dB)	≥ 100
Resonant Frequency (Hz)	3500 ± 500
Current (mA)	≤ 10
Operating Temp (°C)	-20 ~ +70
Storage Temp (°C)	-30 ~ +80



Tolerance: ± 0.5

FY32

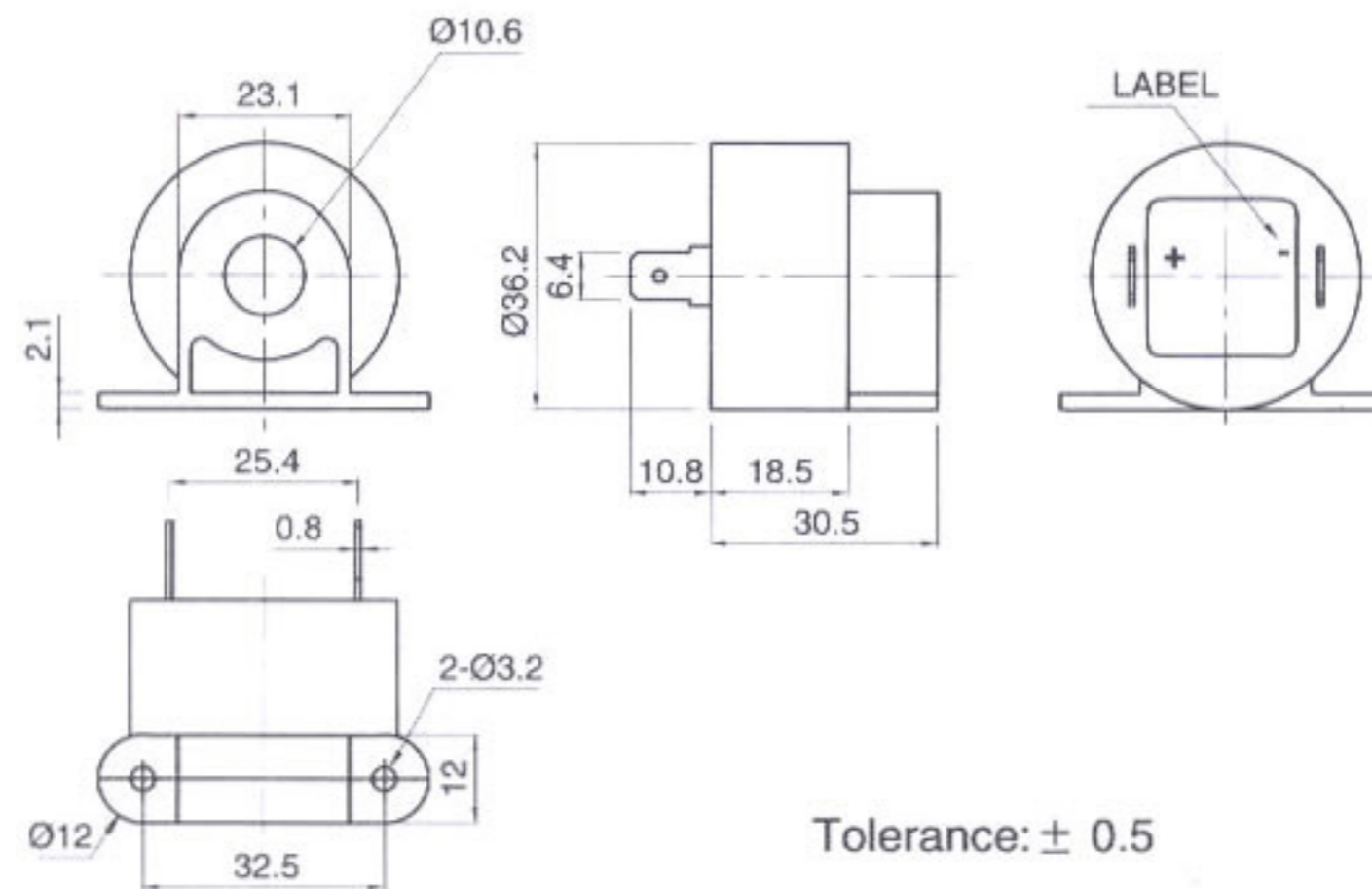
Operating Voltage (Vdc)	3 ~ 24
Rated Voltage (Vdc)	12
S.P.L at 30 cm (dB)	≥ 90
Resonant Frequency (Hz)	3900 ± 500
Current (mA)	≤ 15
Operating Temp (°C)	-20 ~ +70
Storage Temp (°C)	-30 ~ +80



Tolerance: ± 0.5

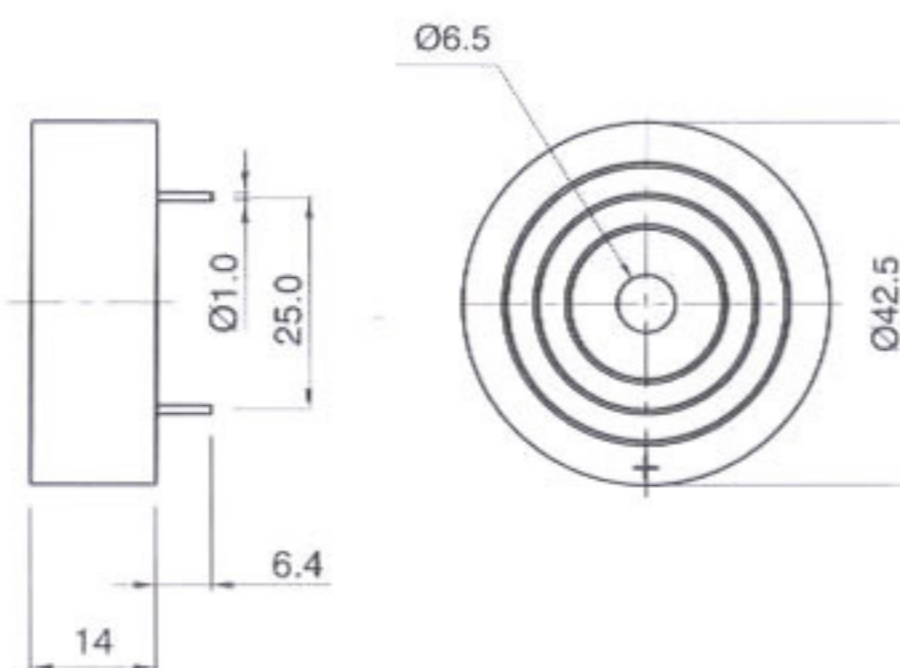
FY36

Operating Voltage (Vdc)	9 ~ 54
Rated Voltage (Vdc)	12
S.P.L at 30cm (dB)	≥ 80
Resonant Frequency (Hz)	2900 ± 300
Current (mA)	≤ 10
Operating Temp (°C)	-20~+70
Storage Temp (°C)	-30~+80



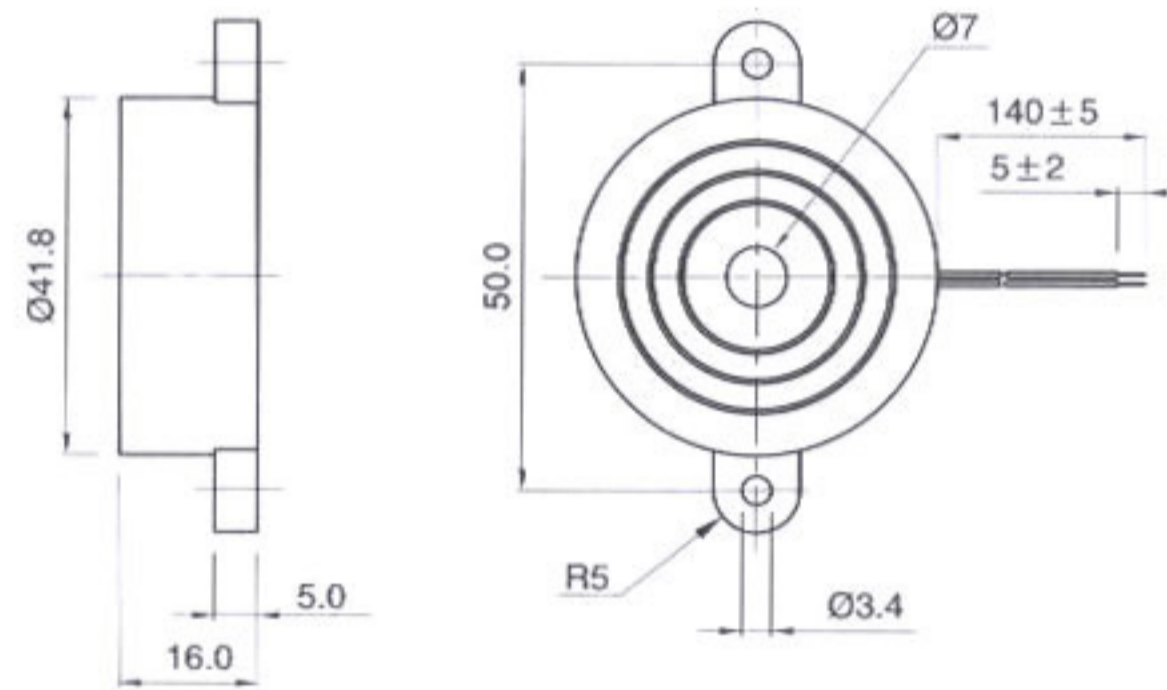
FY400K

Operating Voltage (Vdc)	3 ~ 28
Rated Voltage (Vdc)	12
S.P.L at 30 cm (dB)	≥ 90
Resonant Frequency (Hz)	2800 ± 500
Current (mA)	≤ 8
Operating Temp (°C)	-20~+70
Storage Temp (°C)	-30~+80



FY430/FY431/FY435

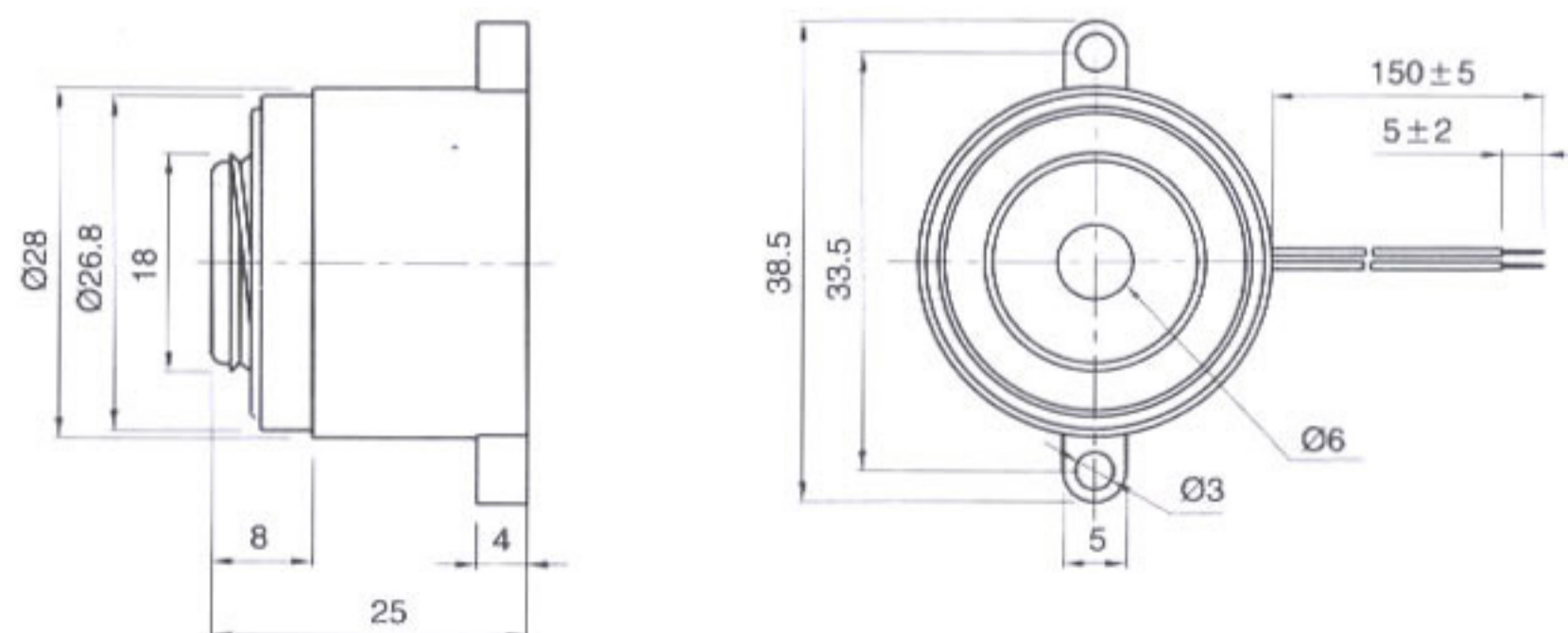
Type	FY430	FY431	FY435
Operating Voltage (V _{DC})	3 ~ 28	3 ~ 20	
Rated Voltage (V _{DC})	12		
S.P.L at 30cm (dB)	≥ 90	≥ 100	≥ 90
Resonant Frequency (Hz)	2800 ± 500		
Current (mA)	≤ 7	≤ 10	
Operating Temp (°C)	-20~+70		
Storage Temp (°C)	-30~+80		



Tolerance: ± 0.5

FY450

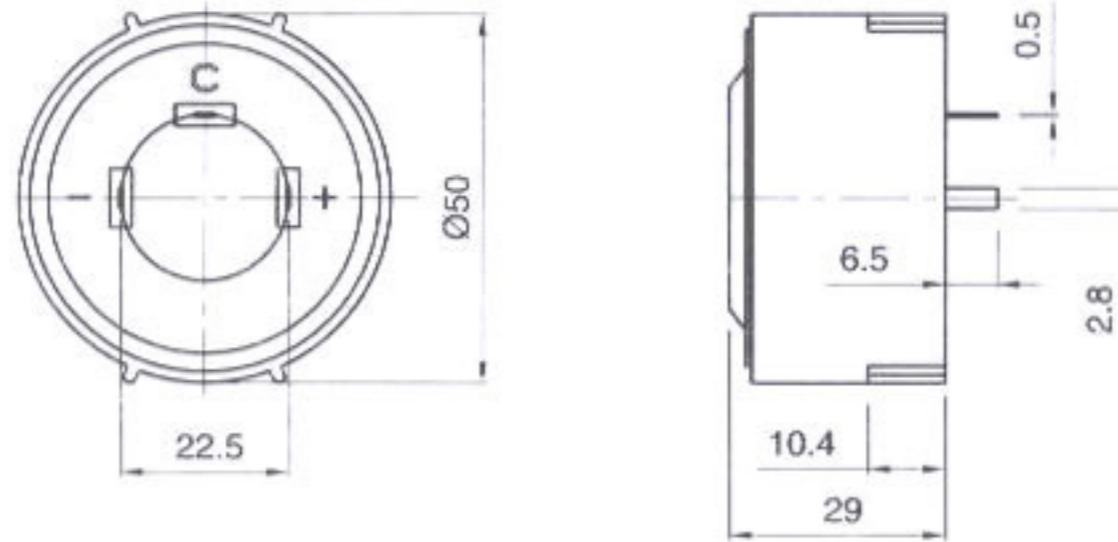
Operating Voltage (V _{DC})	3 ~ 28
Rated Voltage (V _{DC})	12
S.P.L at 30 cm (dB)	≥ 95
Resonant Frequency (Hz)	3500 ± 500
Current (mA)	≤ 5
Operating Temp (°C)	-20~+70
Storage Temp (°C)	-30~+80



Tolerance: ± 0.5

FY50

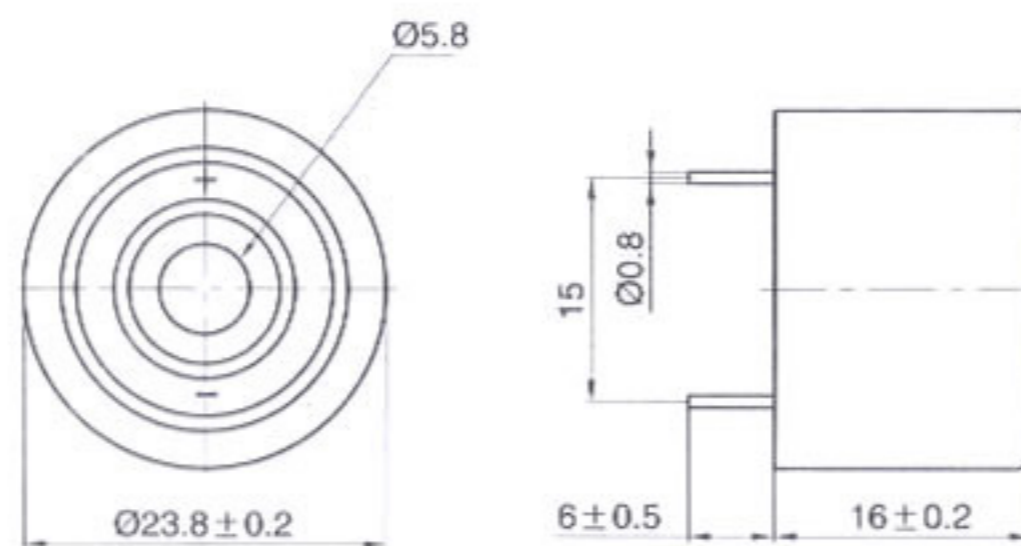
Operating Voltage (V _{DC})	5 ~ 13
Rated Voltage (V _{DC})	12
S.P.L at 30cm (dB)	≥108
Resonant Frequency (Hz)	2500 ± 500
Current (mA)	≤75
Operating Temp (°C)	-20~+70
Storage Temp (°C)	-30~+80



Tolerance: ±0.5

FY550K/FY550KS/FY550KAS

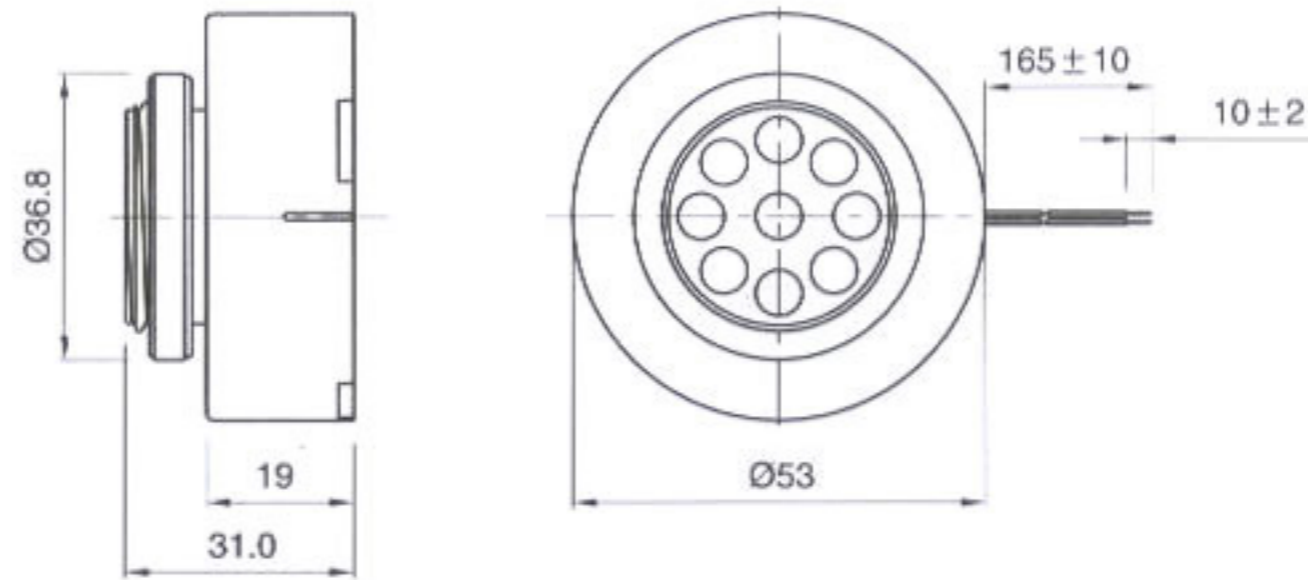
Type	FY550K/FY550KS	FY550KAS
Operating Voltage (V _{DC})	3 ~ 20	
Rated Voltage (V _{DC})	12	
S.P.L at 30 cm (dB)	≥85	≥90
Resonant Frequency (Hz)	2800 ± 500	
Current (mA)	≤8	≤10
Operating Temp (°C)	-20~+70	
Storage Temp (°C)	-30~+80	



Tolerance: ±0.5

FY70K

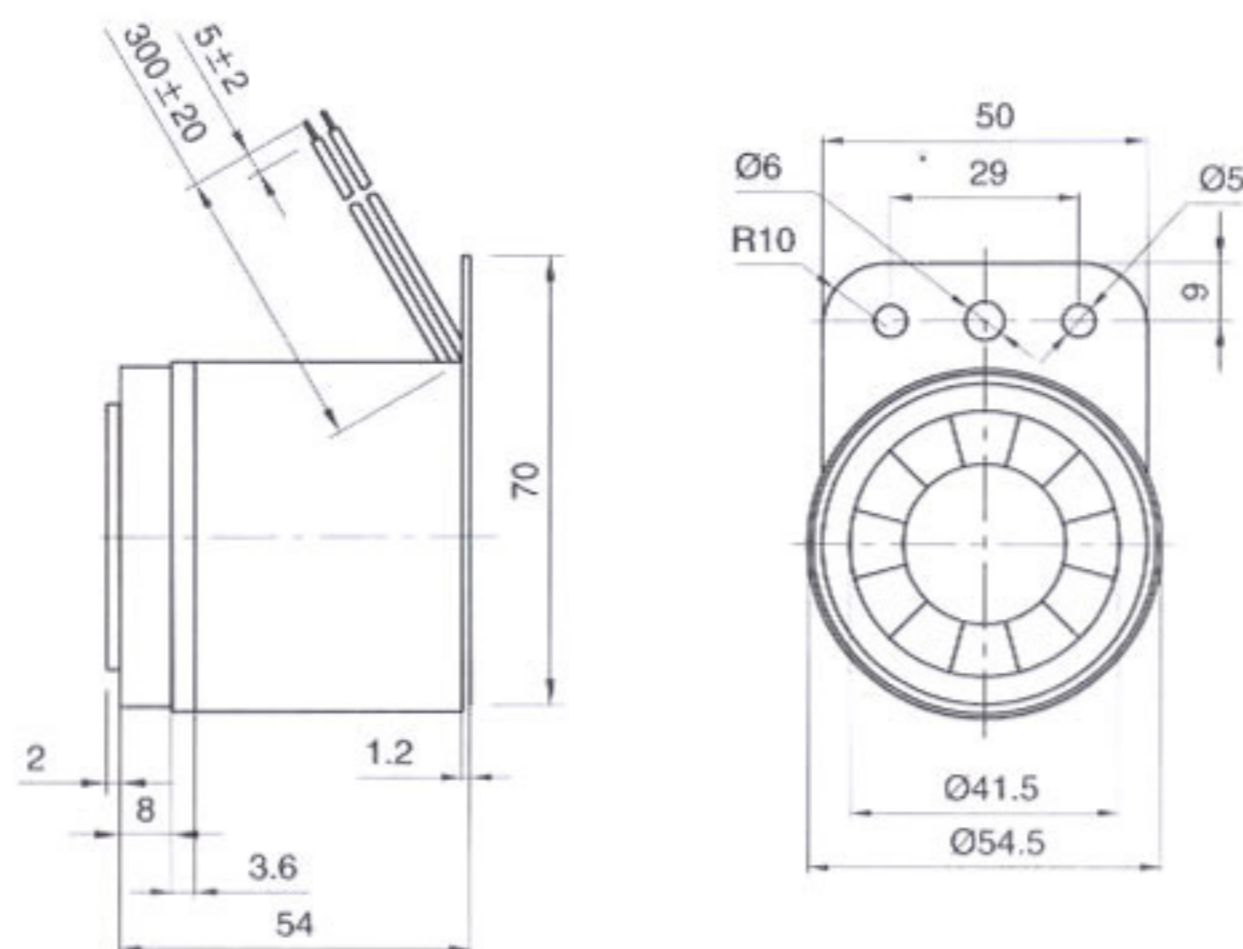
Operating Voltage (Vdc)	3 ~ 12
Rated Voltage (Vdc)	6
S.P.L at 30cm (dB)	≥ 93
Resonant Frequency (Hz)	2800 ± 500
Current (mA)	≤ 10
Operating Temp (°C)	-20~+60
Storage Temp (°C)	-30~+70



Tolerance: ± 0.5

FY1600

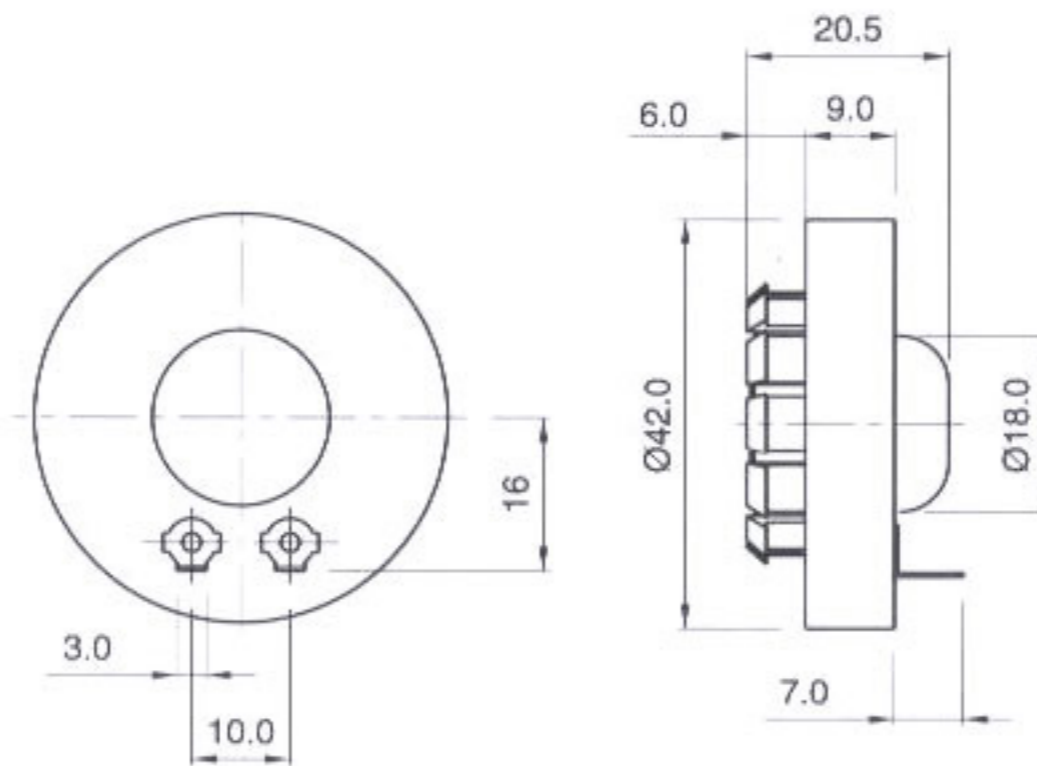
Operating Voltage (Vdc)	6 ~ 16
Rated Voltage (Vdc)	12
S.P.L at 1m (dB)	≥ 105
Resonant Frequency (Hz)	1500~4000
Current (mA)	≤ 250
Operating Temp (°C)	-20~+60
Storage Temp (°C)	-30~+70



Tolerance: ± 0.5

FYE108

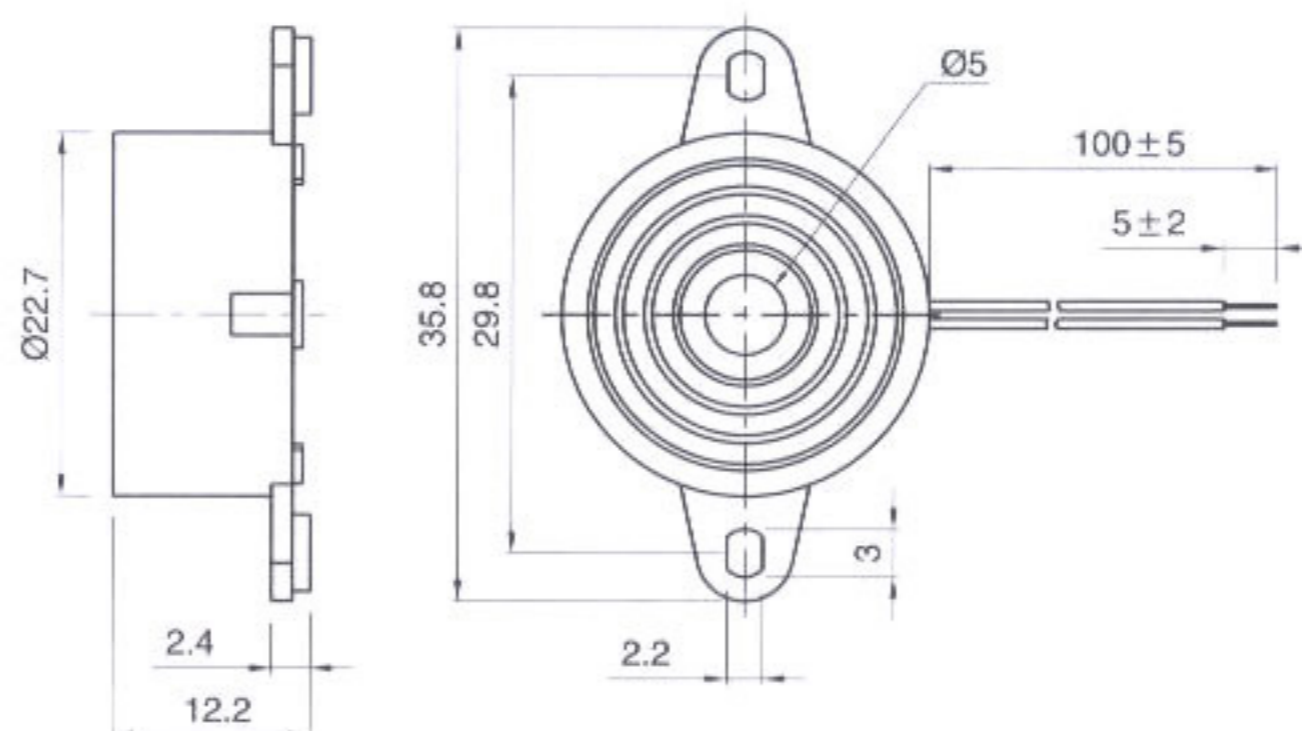
Operating Voltage (V _{DC})	1 ~ 28
Rated Voltage (V)	24
S.P.L at 30cm (dB)	≥85
Resonant Frequency (Hz)	2900 ± 500
Current (mA)	≤15
Operating Temp (°C)	-20~+70
Storage Temp (°C)	-30~+80



Tolerance: ±0.5

FYE248

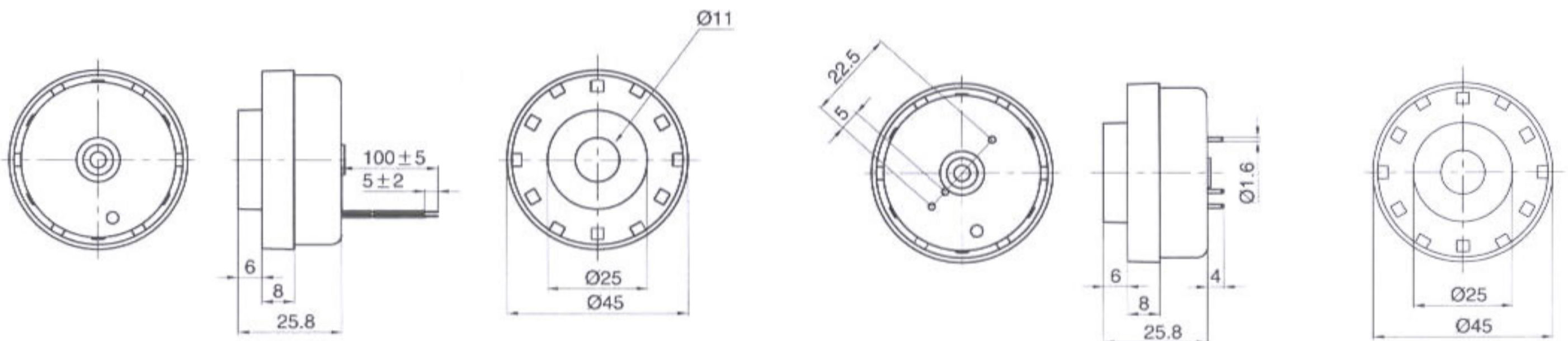
Type	24S3120	24S5120
Operating Voltage (V _{DC})	3 ~ 20	
Rated Voltage (V _{DC})	12	
S.P.L at 30 cm (dB)	≥85	≥90
Resonant Frequency (Hz)	3000 ± 500	4500 ± 500
Current (mA)	≤12	
Operating Temp (°C)	-20~+70	
Storage Temp (°C)	-30~+80	



Tolerance: ±0.5

FYE38

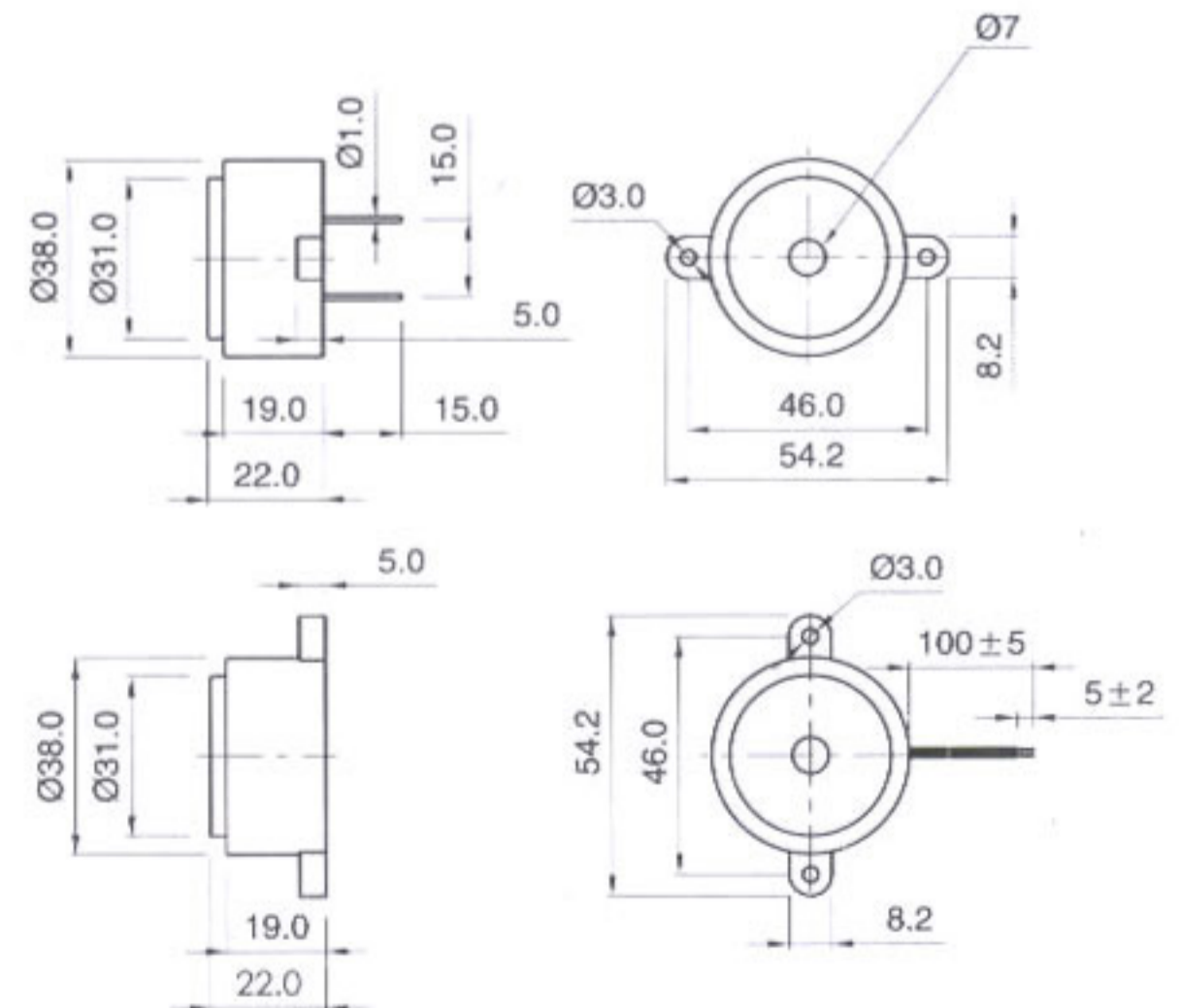
Type	3S3120	3S3240	3P3120	3D3120
Operating Voltage (V _{DC})	1~13	1~28		1~13
Rated Voltage (V _{DC})	12	24		12
Sound Output at 30 cm (dB)	≥ 105	≥ 100		≥ 105/100
Resonant Frequency (Hz)		2900 ± 500		
Current (mA)	≤ 35	≤ 20		≤ 35/20
Tone	SINGLE		PULSE	SINGLE/PULSE
Terminal	LEAD/PIN			3LEADS
Operating Temp (°C)	-20 ~ +60			
Storage Temp (°C)	-30 ~ +70			



Tolerance: ± 0.5

FYE178

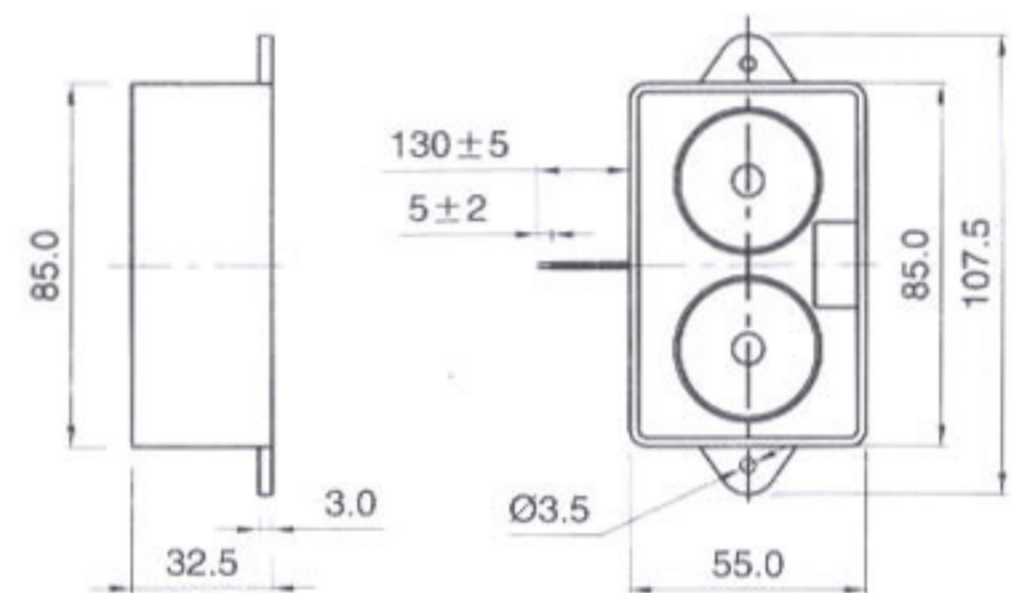
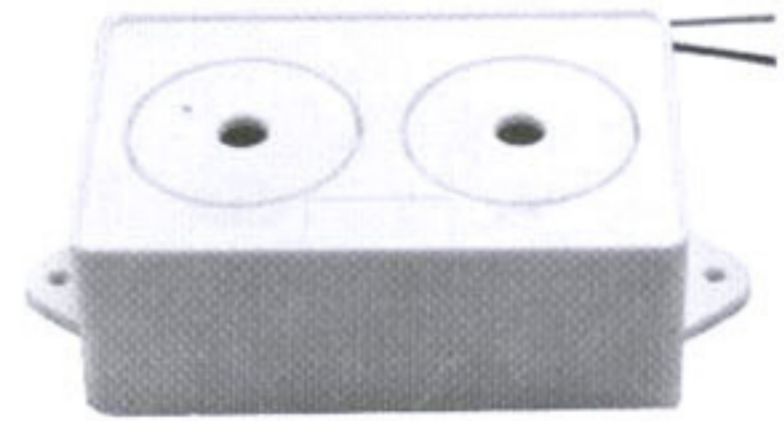
Type	17P3120P	17S3120L
Operating Voltage (V _{DC})	6 ~ 15	
Rated Voltage (V _{DC})	12	
Sound Output at 30 cm (dB)	≥ 105	
Resonant Frequency (Hz)	(2600~2800) ± 500	
Current (mA)	≤ 40	
Pulse Rated (pulse/Sec)	2~7	NIL
Tone	Two	SINGLE
Terminal	PIN	LEAD
Operating Temp (°C)	-20 ~ +60	
Storage Temp (°C)	-30 ~ +70	



Tolerance: ± 0.5

FYE188

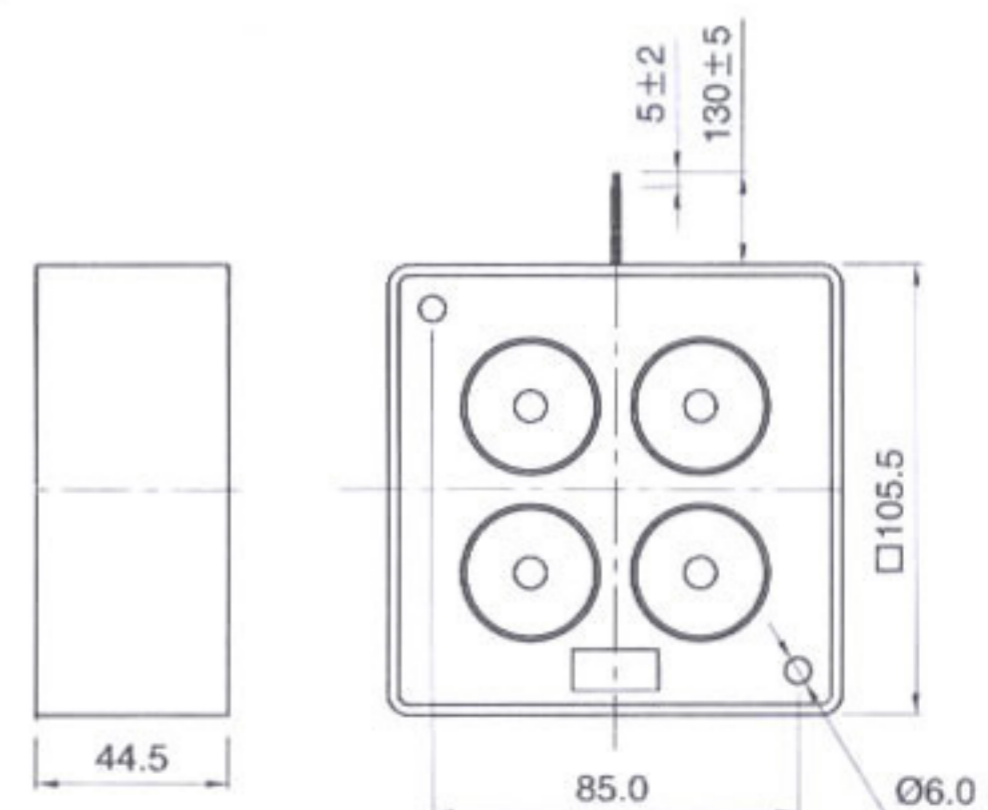
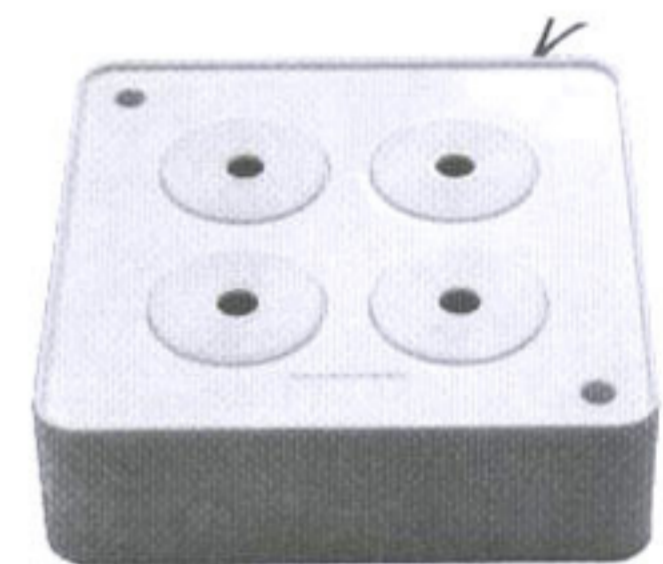
Type	18T3120L	18T3240L
Operating Voltage (Vdc)	6 ~ 15	16 ~ 28
Rated Voltage (Vdc)	12	24
Sound Output at 30 cm (dB)	≥ 115	
Resonant Frequency (Hz)	(2600~2800) ± 500	
Current (mA)	≤ 120	
Pulse Rated (pulse/Sec)	2~7	
Tone	Two	
Operating Temp (°C)	-20 ~ +60	
Storage Temp (°C)	-30 ~ +70	



Tolerance: ± 0.5

FYE198

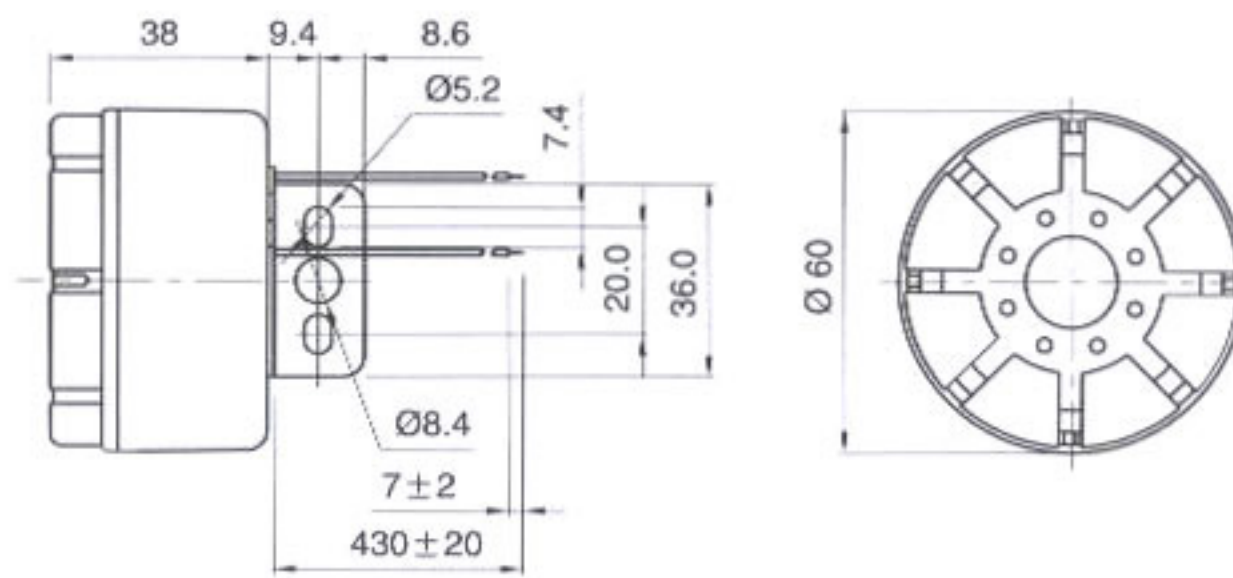
Type	19T3120L	19T3240L
Operating Voltage (Vdc)	6~15	16~28
Rated Voltage (Vdc)	12	24
Sound Output at 30 cm (dB)	≥ 102	
Resonant Frequency (Hz)	(2600~2800) ± 500	
Current (mA)	≤ 190	
Pulse Rated (pulse/Sec)	2~7	
Tone	Two	
Terminal	LEAD	
Operating Temp (°C)	-20 ~ +60	
Storage Temp (°C)	-30 ~ +70	



Tolerance: ± 0.5

FY60

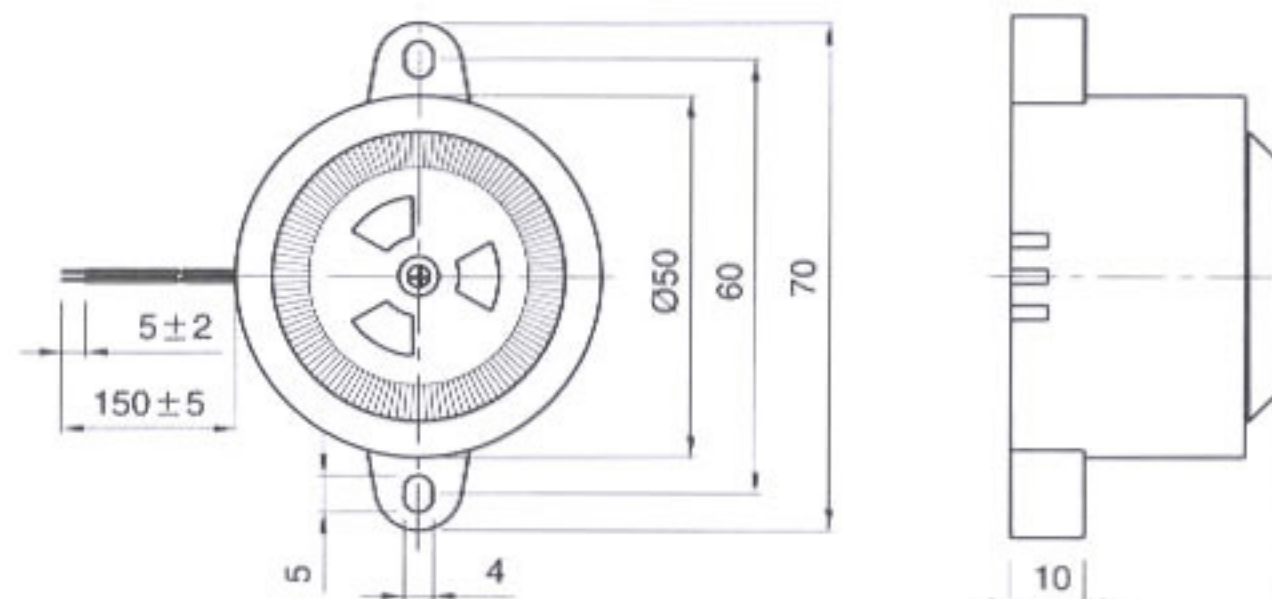
Type	FY60S3120L	FY60S3240L
Operating Voltage (Vdc)	6 ~ 15	13 ~ 28
Rated Voltage (Vdc)	12	24
Sound Output at 100 cm (dB)	≥ 108	
Resonant Frequency (HZ)	2800 ± 500	
Current (mA)	≤ 200	
Tone Nature	Normal Pulse	
Operating Temp (°C)	-20~+70	
Storage Temp (°C)	-30~+80	



Tolerance: ± 0.5

FY960/FY980

Parameter	condition	FY-960	FY-980
Supply Voltage (VAC/DC)		1.5 ~ 16	6 ~ 16
Supply Current (mA)	Vcc=3.0V	14.0	
	Vcc=7.5V		70.0
	Vcc=16.0V	70.0	120.0
Fundamental Frequency (Hz)	Vcc=3.0V		
	Vcc=7.5V	2500 ± 500	
	Vcc=16.0V		
Sound Pressure Level At 1m (dBA) Vane Volume Control Open	Vcc=3.0V	85	
	Vcc=7.5V		94
	Vcc=16.0V	99	104
Operating Temp (°C)		-20 ~ +60	
Storage Temp (°C)		-30 ~ + 70	

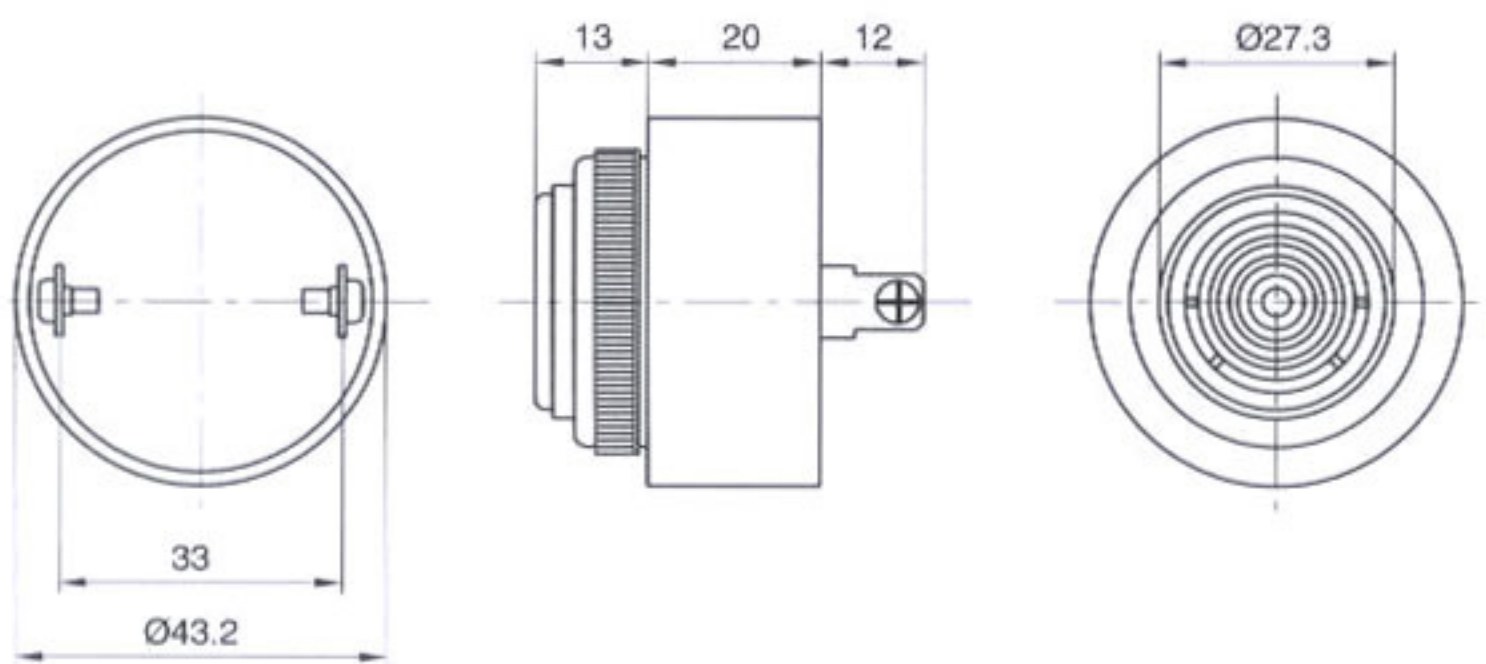


Tolerance: ± 0.5

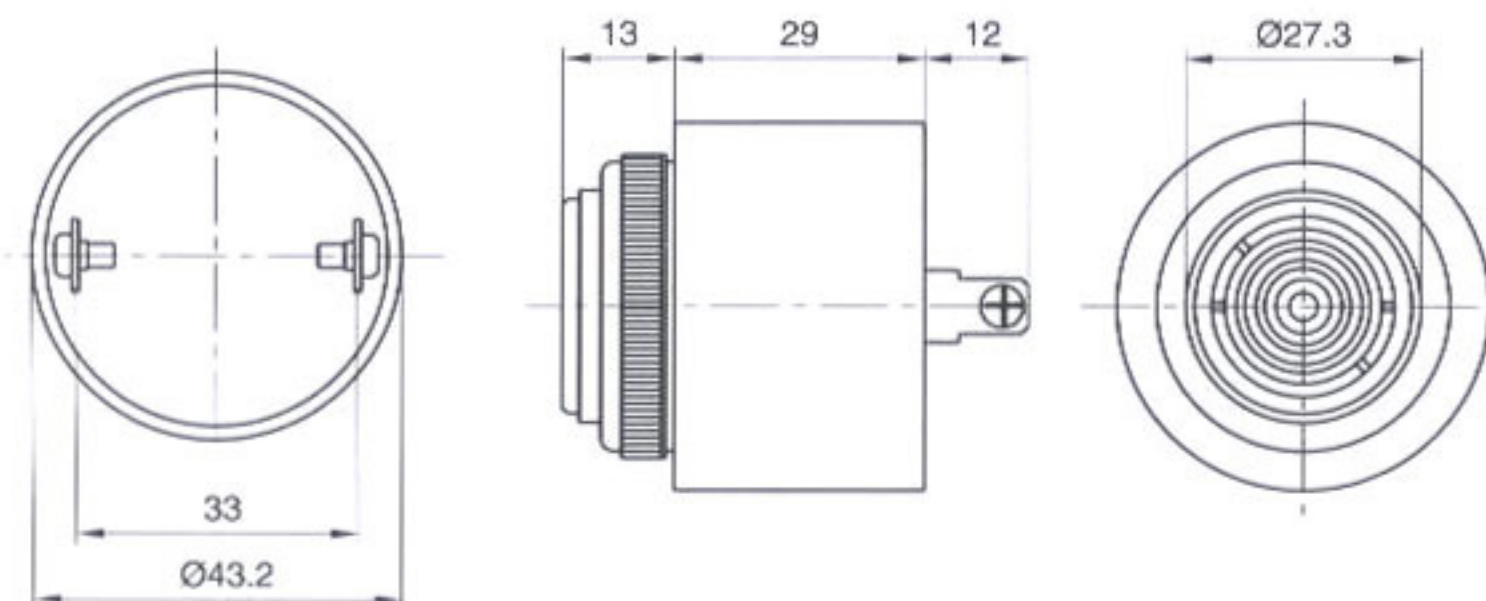
FY380K/ FY381K/FY381KP/FY382K/FY384K

Parameter	condition	FY-380K	FY-381K	FY-381KP	FY-382K	FY-384K
Supply Voltage (VAC/DC)		4~28			30~120	60~250
Supply Current (mA)	V _{cc} =4V 28V 30VAC/DC 60VAC/DC 120VAC/DC 250VAC/DC	≤4				
		≤18				
					≤4	
						≤4
						≤18
Fundamental Frequency (Hz)		2900 ± 500				
Sound Pressure Level At 30cm (dBA)	V _{cc} =4V 28V 30VAC/DC 60VAC/DC 120VAC/DC 250VAC/DC	80				
		95				
					85	
						80
						95
Rate pulse			3Hz ± 20%	1.2Hz ± 20%		2Hz ± 20%
Operating Temp (°C)		-20~+60				
Storage Temp (°C)		-30~+70				

FY380K~FY382K



FY384K



Tolerance ±0.5

