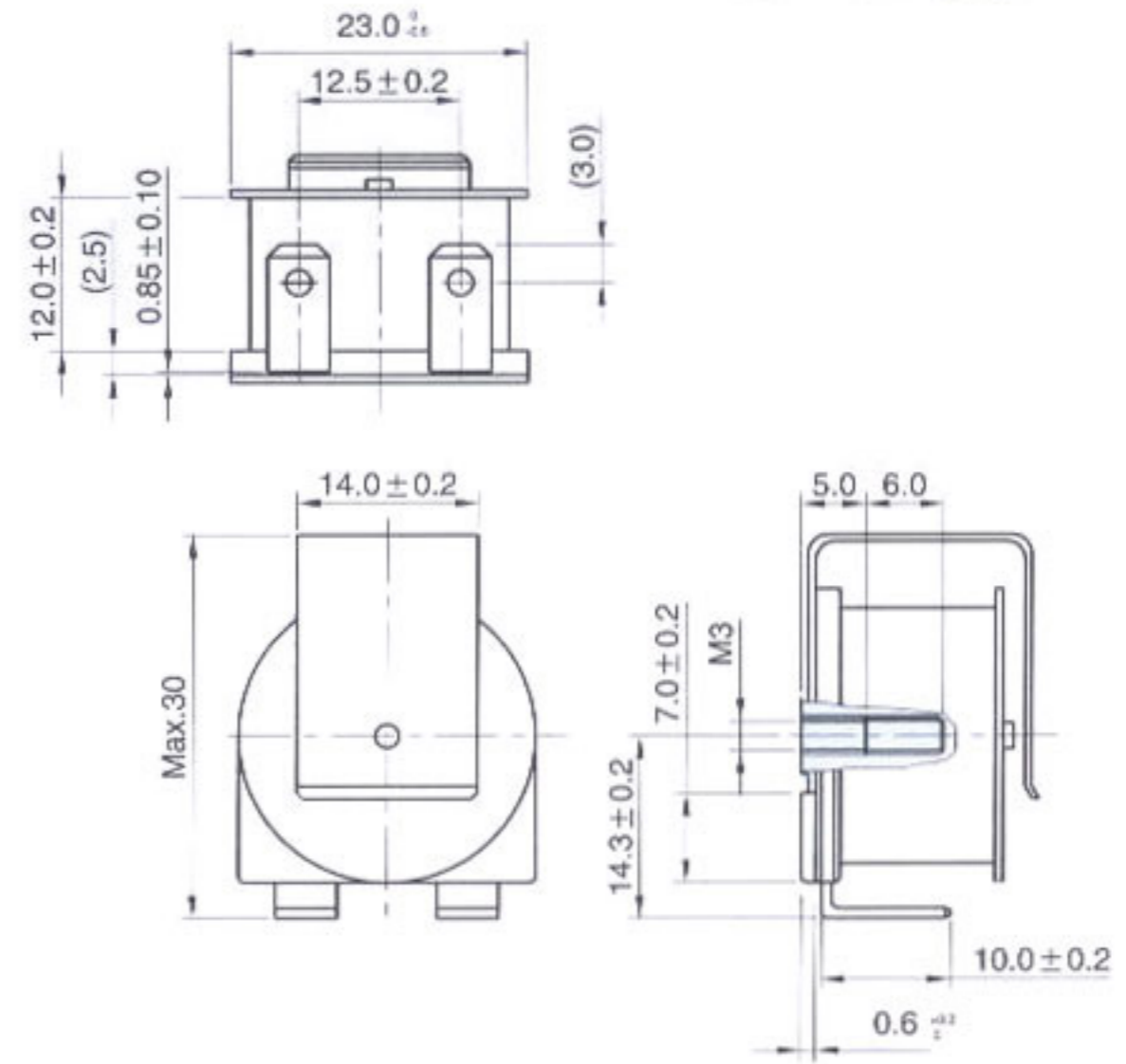


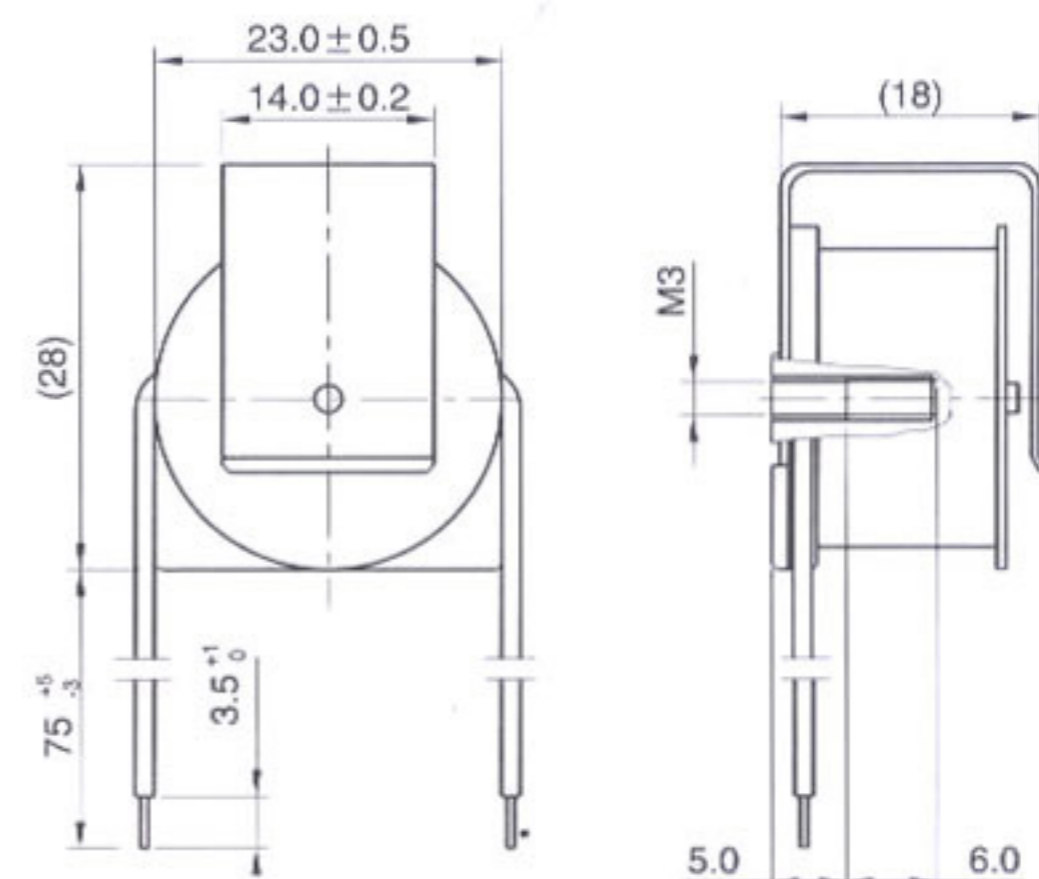
HJ50-110V/P, HJ50-230V/P

Type	HJ50-110V/P	HJ50-230V/P
Rated Voltage (V _{AC})	110	230
Operating Voltage (V _{AC})	70~150	160~260
Rated Current (mA)	≤30	≤30
Sound Output at 10cm (dB)	≥75	≥78
Coil Resistance (Ω)	4200±10%	8000±10%
Operating Temperature (°C)	-25~+110	-25~+110
Storage Temperature (°C)	-25~+110	-25~+110
Weight (g)	20	20



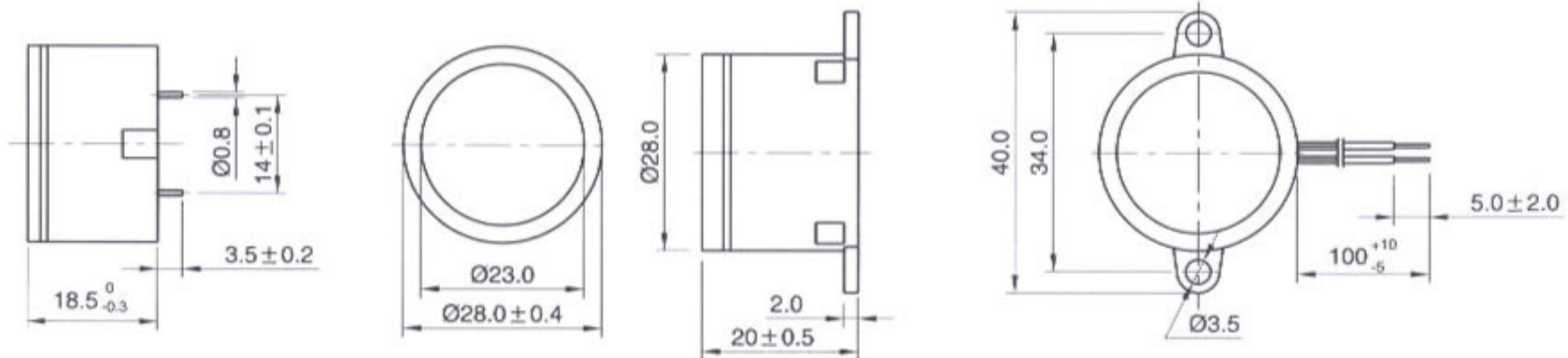
HJ50-120V/W, HJ50-230V/W

Type	HJ50-110V/W	HJ50-230V/W
Rated Voltage (V _{AC})	120	230
Operating Voltage (V _{AC})	70~150	160~260
Rated Current (mA)	≤30	≤30
Sound Output at 10cm (dB)	≥78	≥78
Coil Resistance (Ω)	4300±10%	8000±10%
Operating Temperature (°C)	-25~+110	-25~+110
Storage Temperature (°C)	-25~+110	-25~+110
Weight (g)	20	20



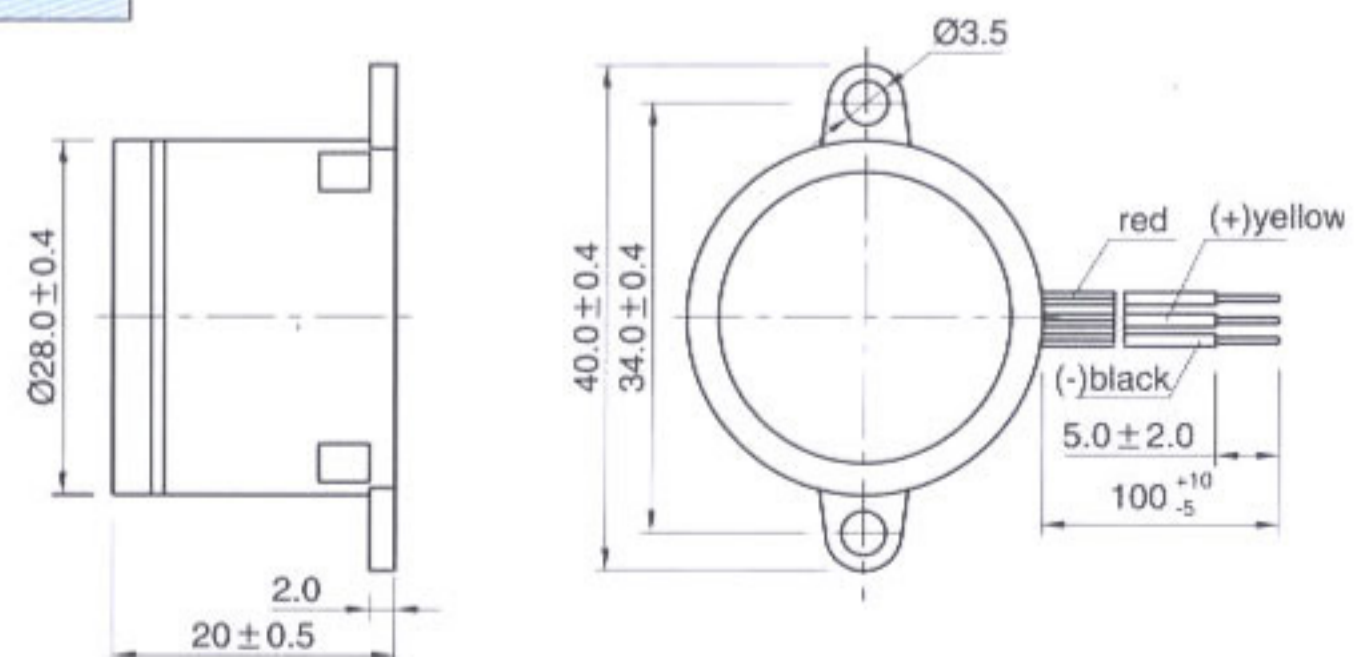
FCE28

Type	FCE28									
	2S3030	2S3060	2S3090	2S3120	2S3240	2P3030	2P3060	2P3090	2P3120	2P3240
Rated Voltage (V _{DC})	3	6	9	12	24	3	6	9	12	24
Operating Voltage (V _{DC})	2~5	4~9	6~11	9~15	15~28	2~5	4~9	6~11	8~15	15~28
Rated Current (mA)	≤35		≤40		≤35	≤10	≤12		≤15	≤20
Sound Output at 30cm (dB)	≥85	≥90		≥95		≥73	≥78	≥80	≥85	
Frequency (KHz)	2.7~3.2									
Pulse Rate (Pules/Sec)	NIL					2~7				
Ton	SINGLE					PULSE				
Operating Temperature (°C)	-20~+70									
Weight (g)	10									



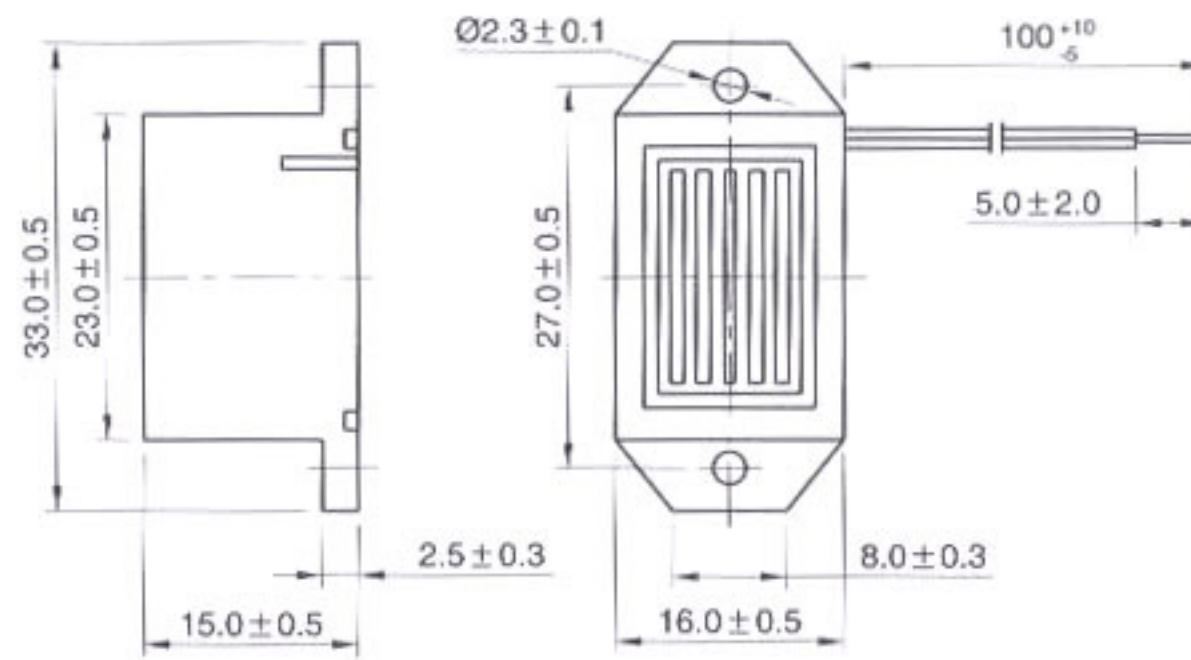
FCE28

Type	FCE28		
	2D3060	2D3090	2D3120
Rated Voltage (V _{DC})	6	9	12
Operating Voltage (V _{DC})	4~9	6~11	8~15
Rated Current (mA)	Max.35/20	Max.35/15	Max.40/15
Sound Output at 30cm (dB)	Min.85/75	Min.85/75	Min.90/80
Frequency (KHz)	2.7~3.2		
Pulse Rate (Pules/Sec)	NIL/2~7		
Ton	SINGLE/PULSE		
Operating Temperature (°C)	-20~+70		
Weight (g)	10		



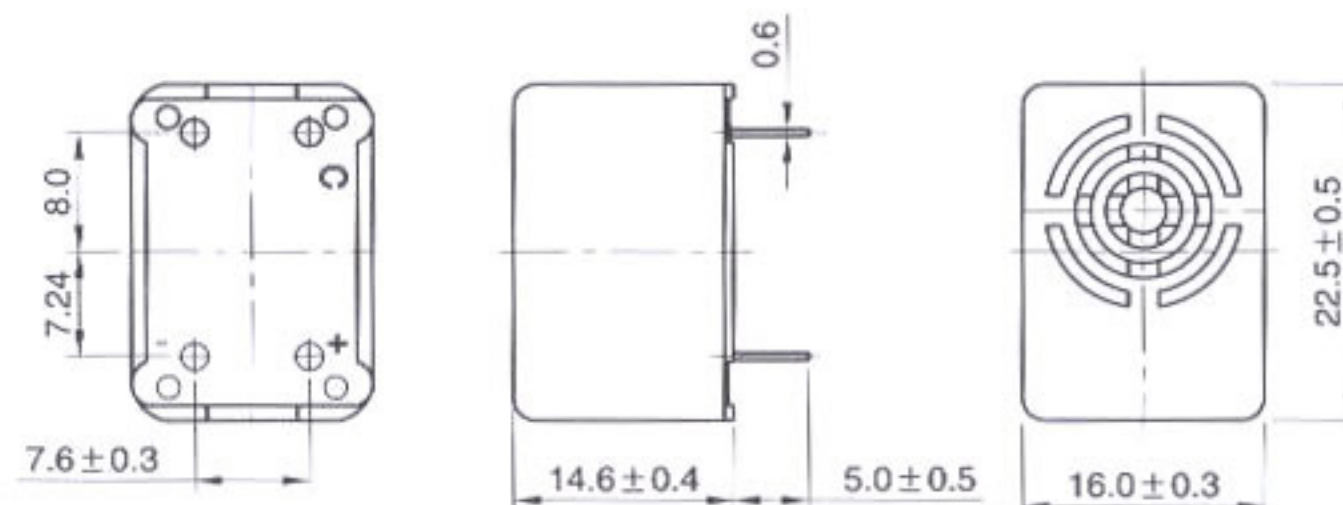
FCE208

Type	20S1015L	20S1030L	20S1060L	20S1090L	20S1120L	20S1240L
Rated Voltage (V _{DC})	1.5	3	6	9	12	24
Operating Voltage (V _{DC})	1.1~3.1	2~4	3~7	6~11	7~17	16~30
Rated Current (mA)	≤15		≤20	≤15		≤20
Sound Output at 10cm (dB)	≥80		≥82			
Frequency (Hz)	300~500					
Response Time (ms)	≤200					
Pulse Rate (Pules/Sec)	NIL					
Tone	SINGLE					
Operating Temperature (°C)	-20~+70					
Weight (g)	10					



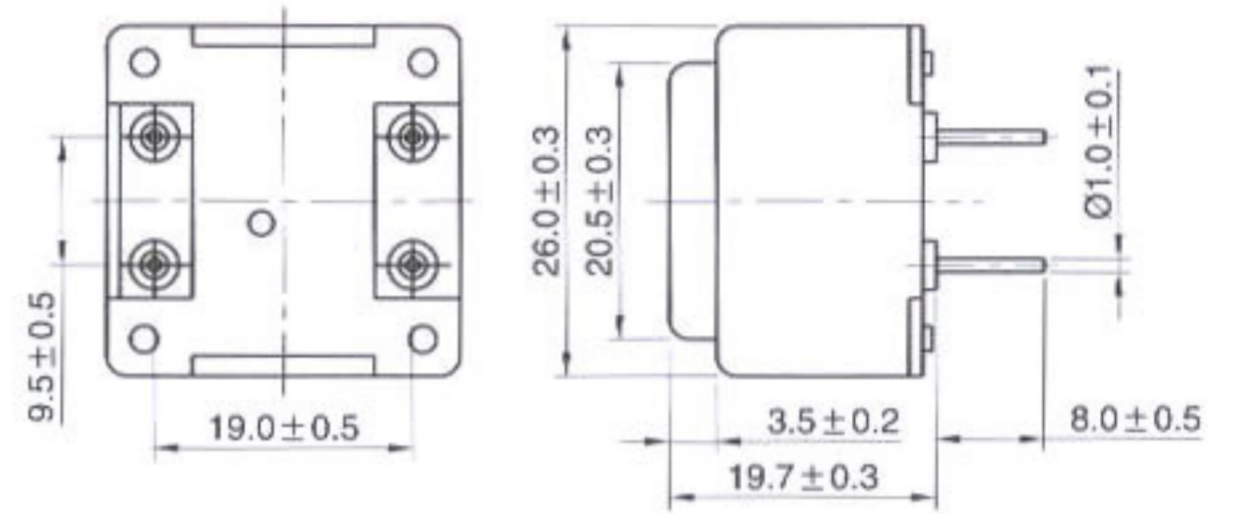
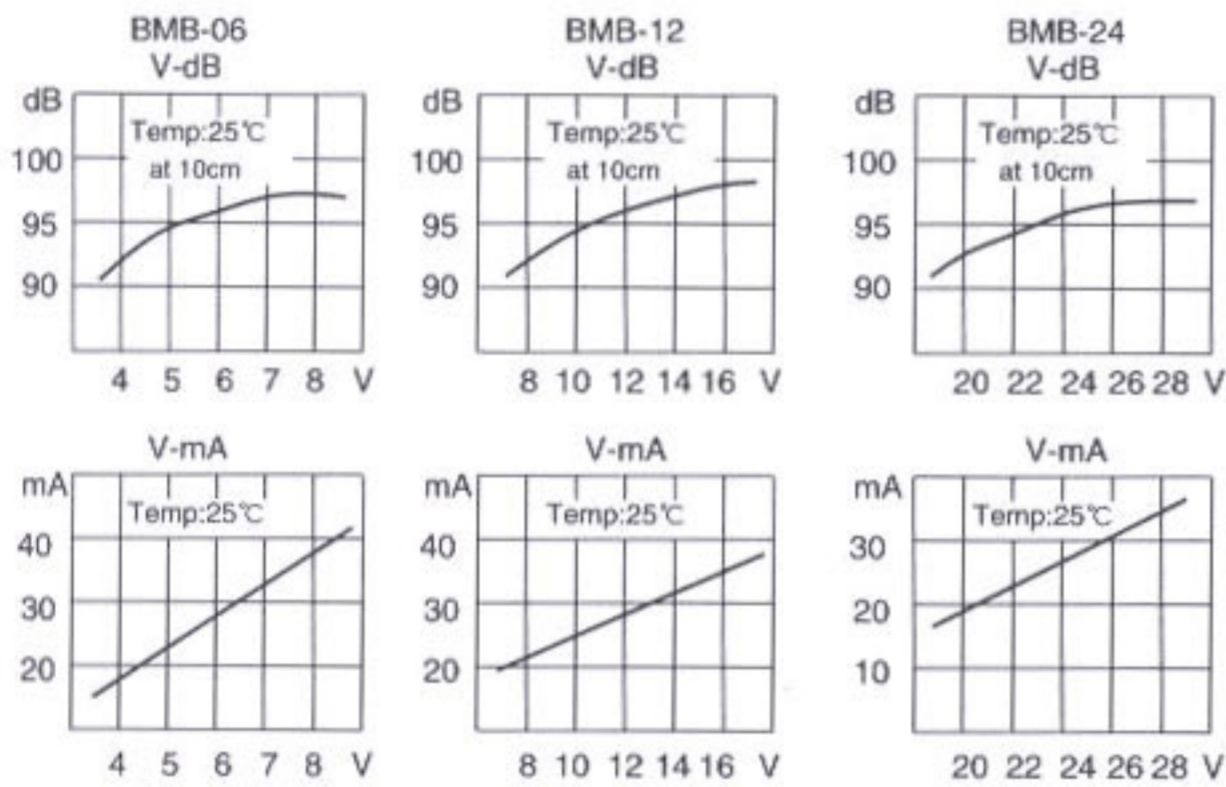
CMB

Type	CMB-03	CMB-06	CMB-12	CMB-24
Rated Voltage (V _{DC})	3	6	12	24
Operating Voltage (V _{DC})	2~4	3~8	8~16	18~30
	V _t ≥2	V _t ≥3	V _t ≥8	V _t ≥18
Rated Current (mA)	≤15	≤23	≤15	≤14
Sound Output at 10cm (dB)	≥80	≥82		
Frequency (Hz)	300~500			
Response Time (ms)	≤150			
Operating Temperature (°C)	-40~+85			
Storage Temperature(°C)	-40~+85			
Weight (g)	10			



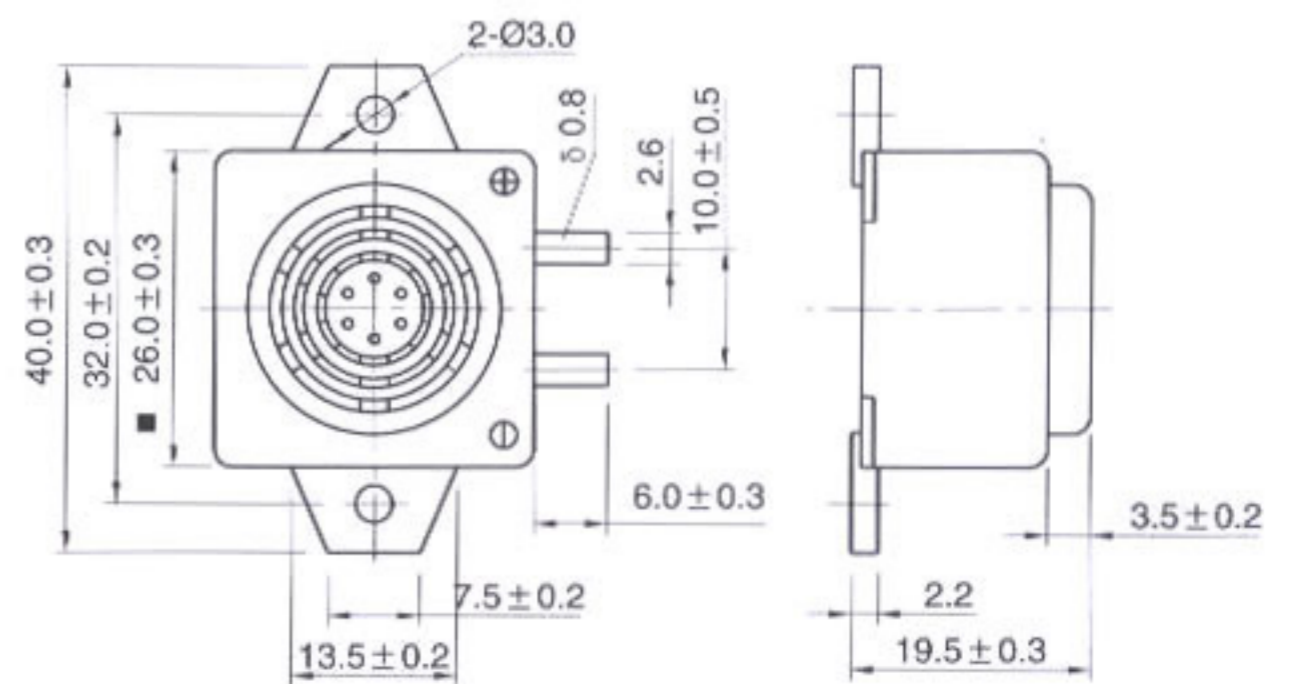
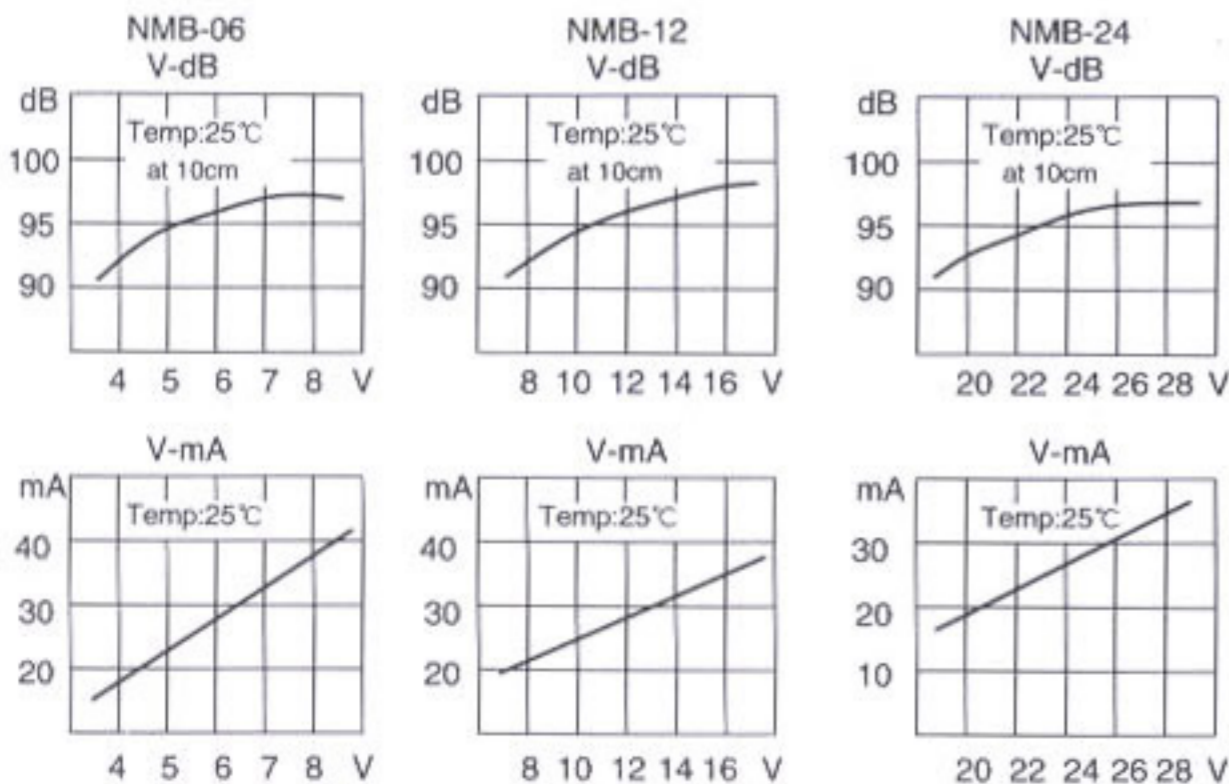
BMB

Type	BMB-06	BMB-12	BMB-24
Rated Voltage (V _{DC})	6	12	24
Operating Voltage (V _{DC})	4~8 V _t ≥4	8~16 V _t ≥8	20~28 V _t ≥20
Rated Current (mA)	≤35		
Sound Output at 10cm (dB)	≥95		
Frequency (Hz)	300~500		
Response Time (ms)	≤200		
Operating Temperature (°C)	-40~+70		
Storage Temperature (°C)	-40~+80		
Weight (g)	17		



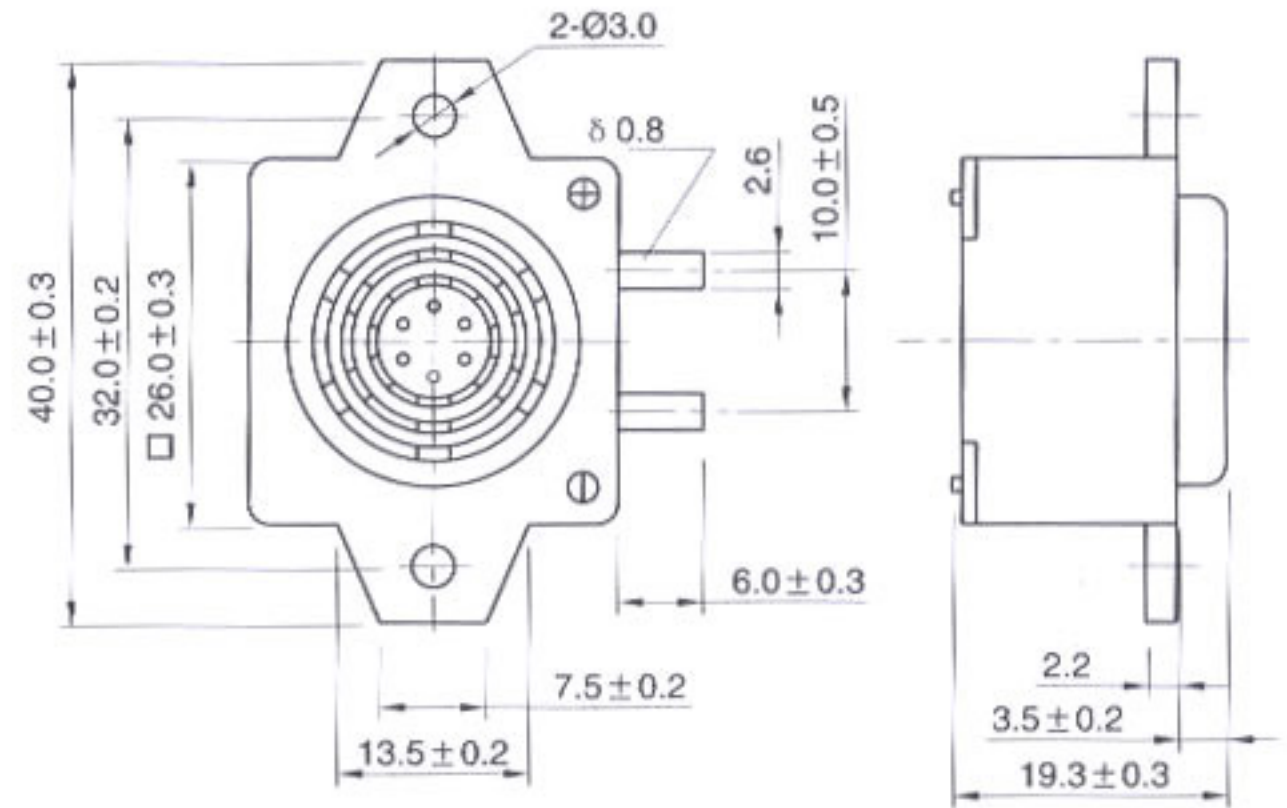
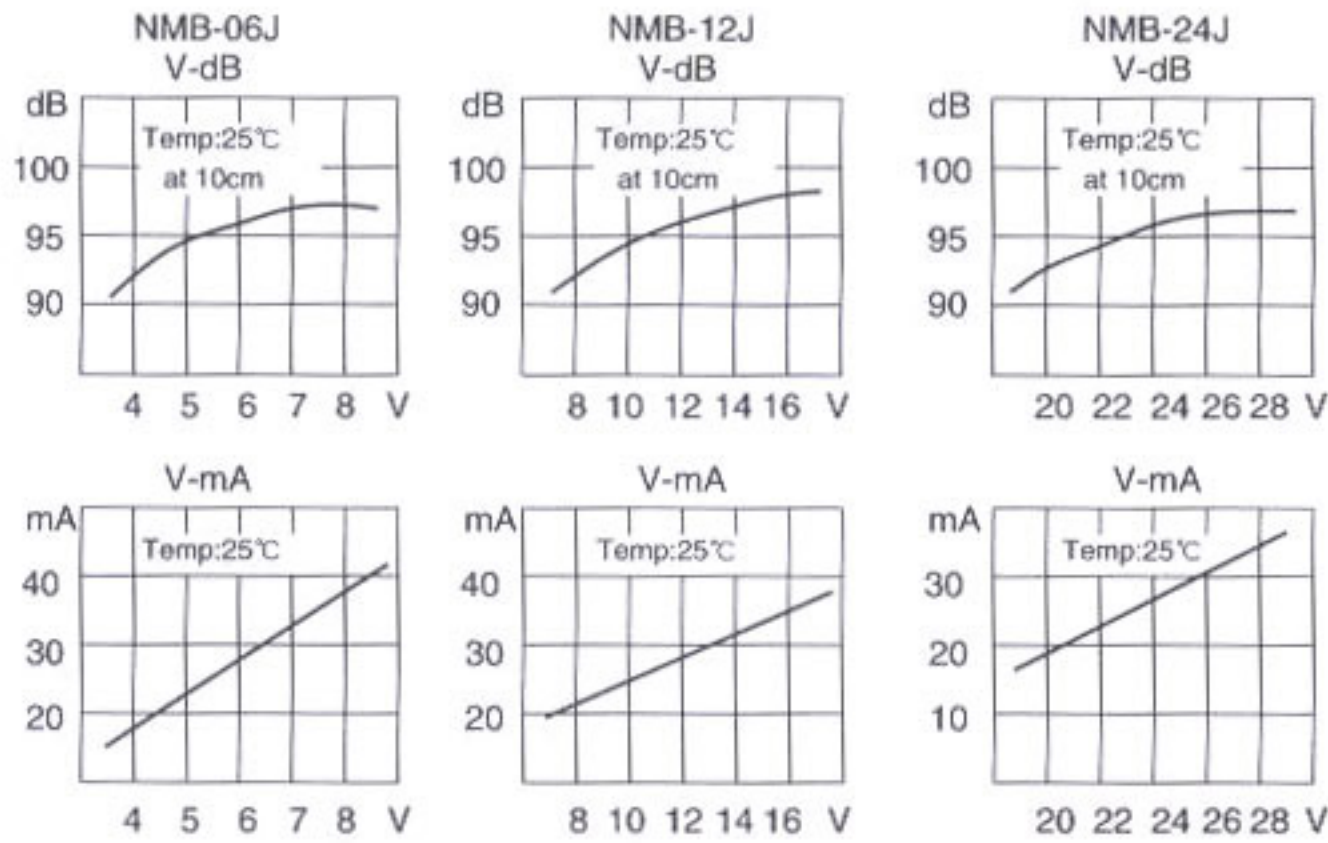
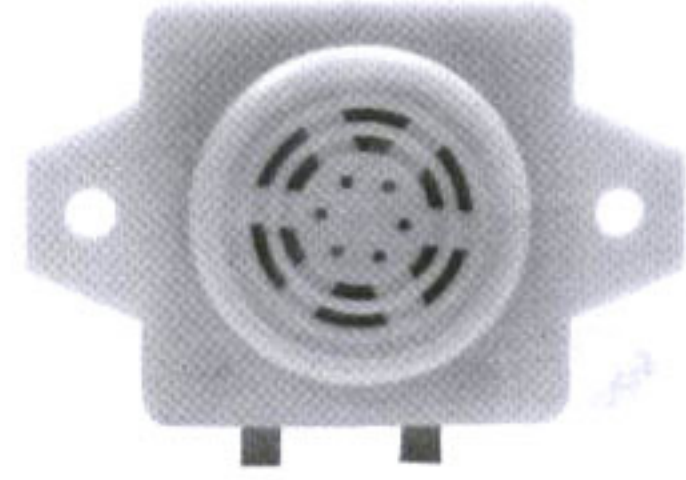
NMB

Type	NMB-06	NMB-12	NMB-24
Rated Voltage (V _{DC})	6	12	24
Operating Voltage (V _{DC})	4~8	8~16	20~28
Rated Current (mA)	≤35		
Sound Output at 10cm (dB)	≥95		
Frequency (Hz)	300 ± 500		
Response Time (ms)	≤200		
Operating Temperature (°C)	-40~+70		
Storage Temperature (°C)	-40~+80		
Weight (g)	17		



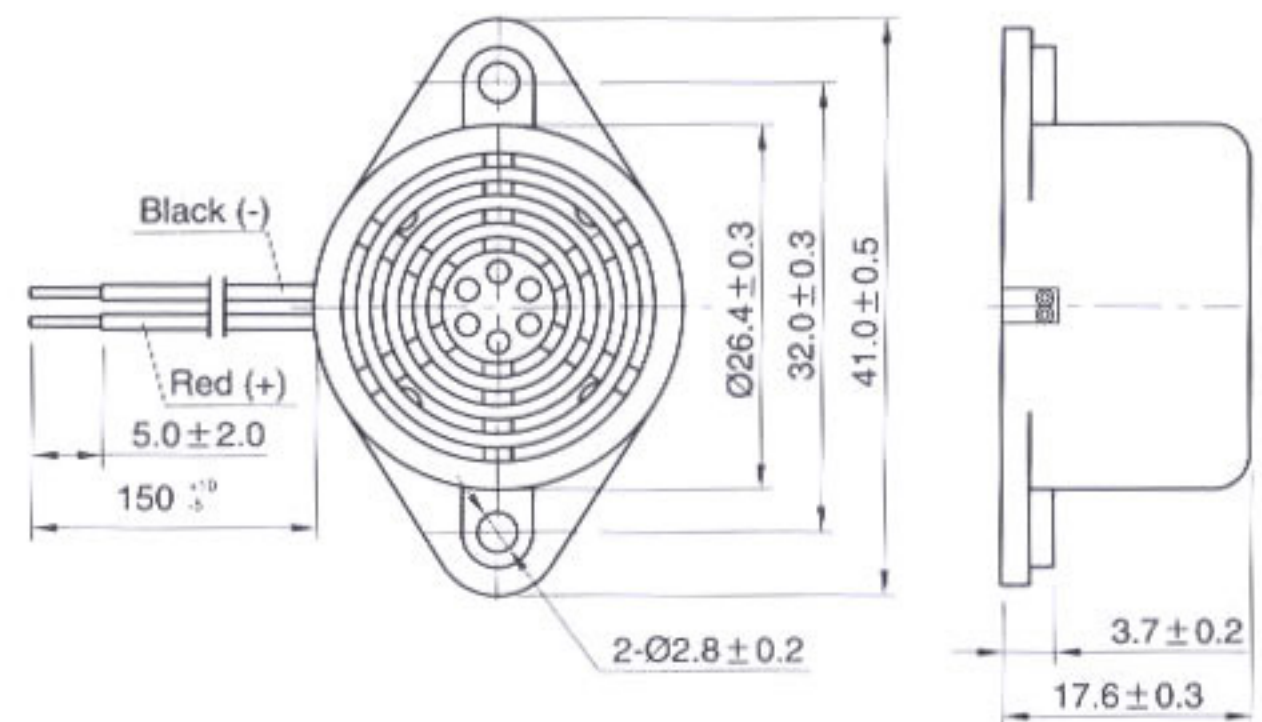
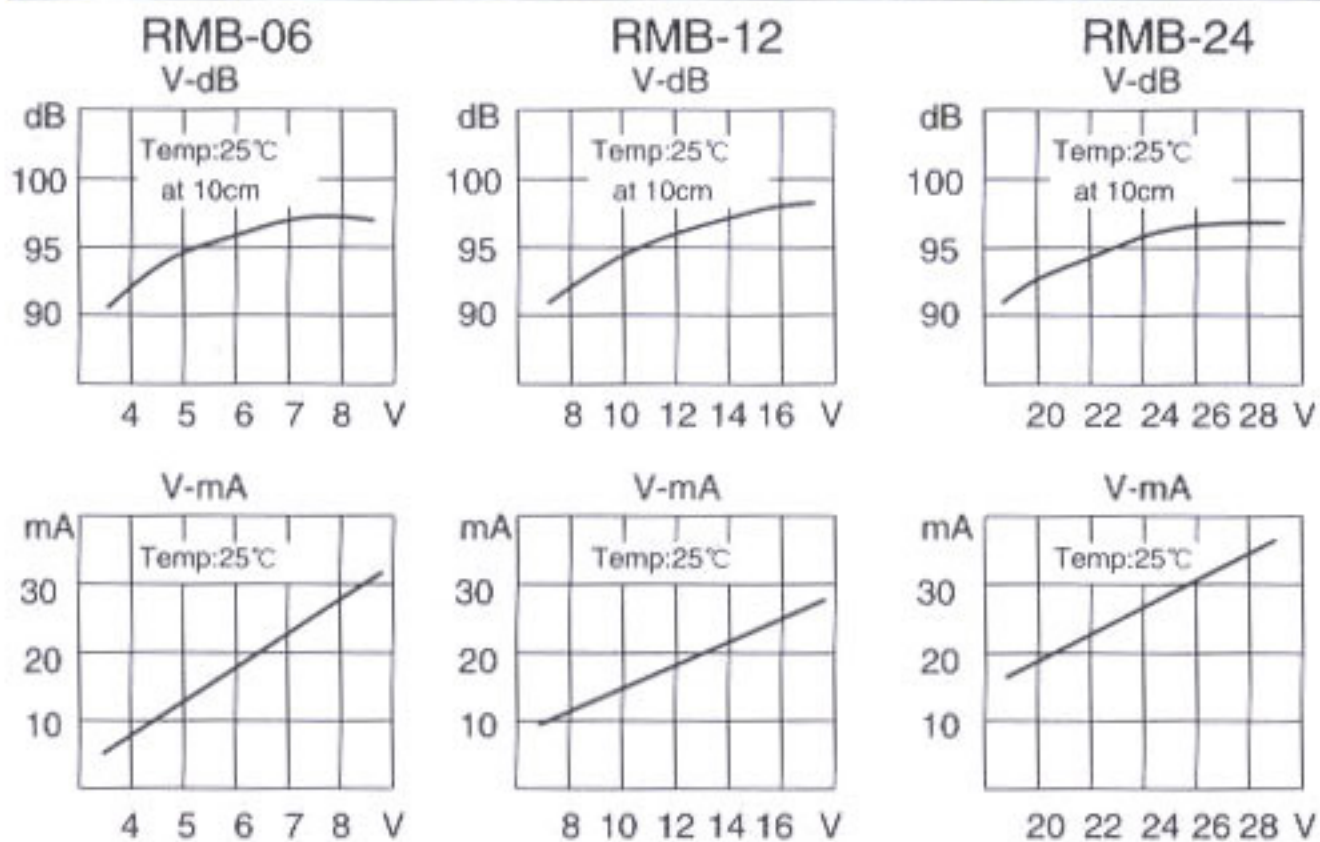
NMB-J

Type	NMB-06J	NMB-12J	NMB-24J
Rated Voltage (Vdc)	6	12	24
Operating Voltage (Vdc)	4~8	8~16	20~28
Rated Current (mA)	≤35		
Sound Output at 10cm (dB)	≥95		
Frequency (Hz)	300~500		
Response Time (ms)	≤200		
Operating Temperature (°C)	-40~+70		
Storage Temperature (°C)	-40~+80		
Weight (g)	17		



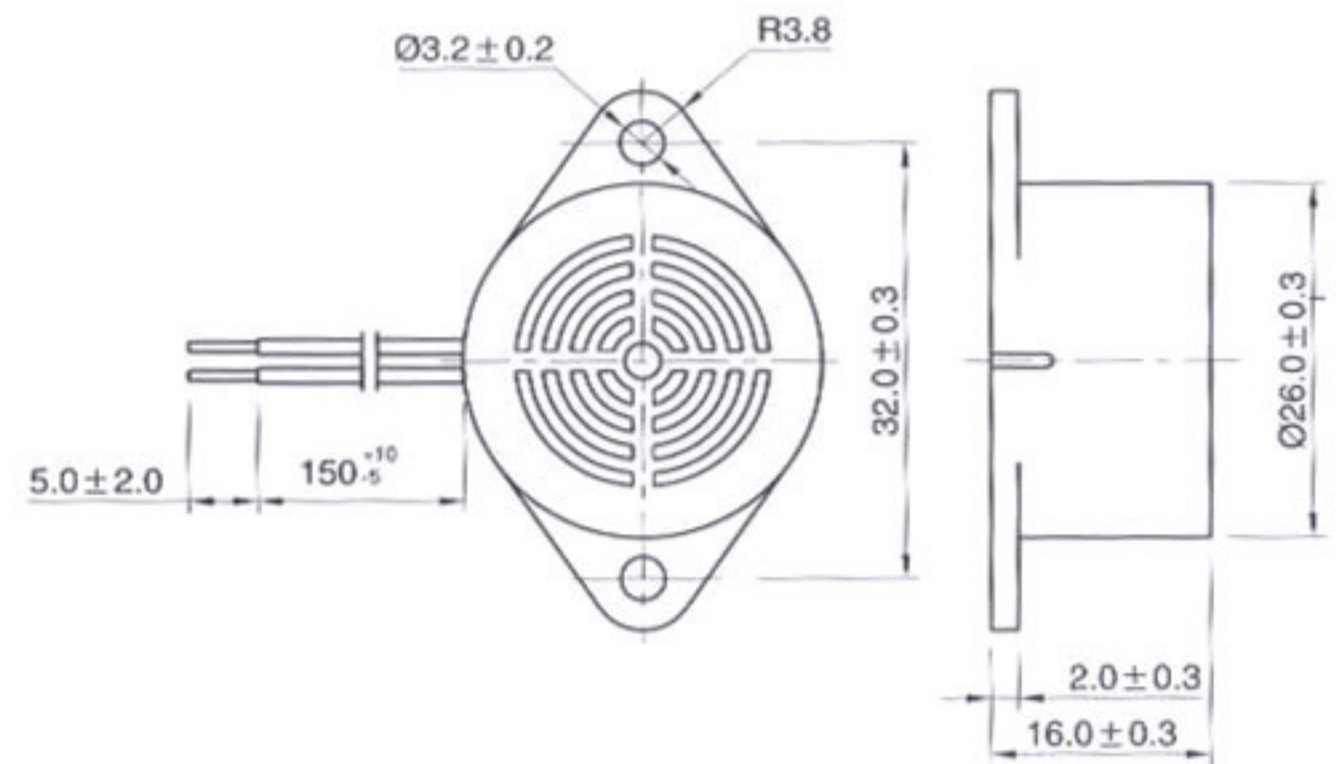
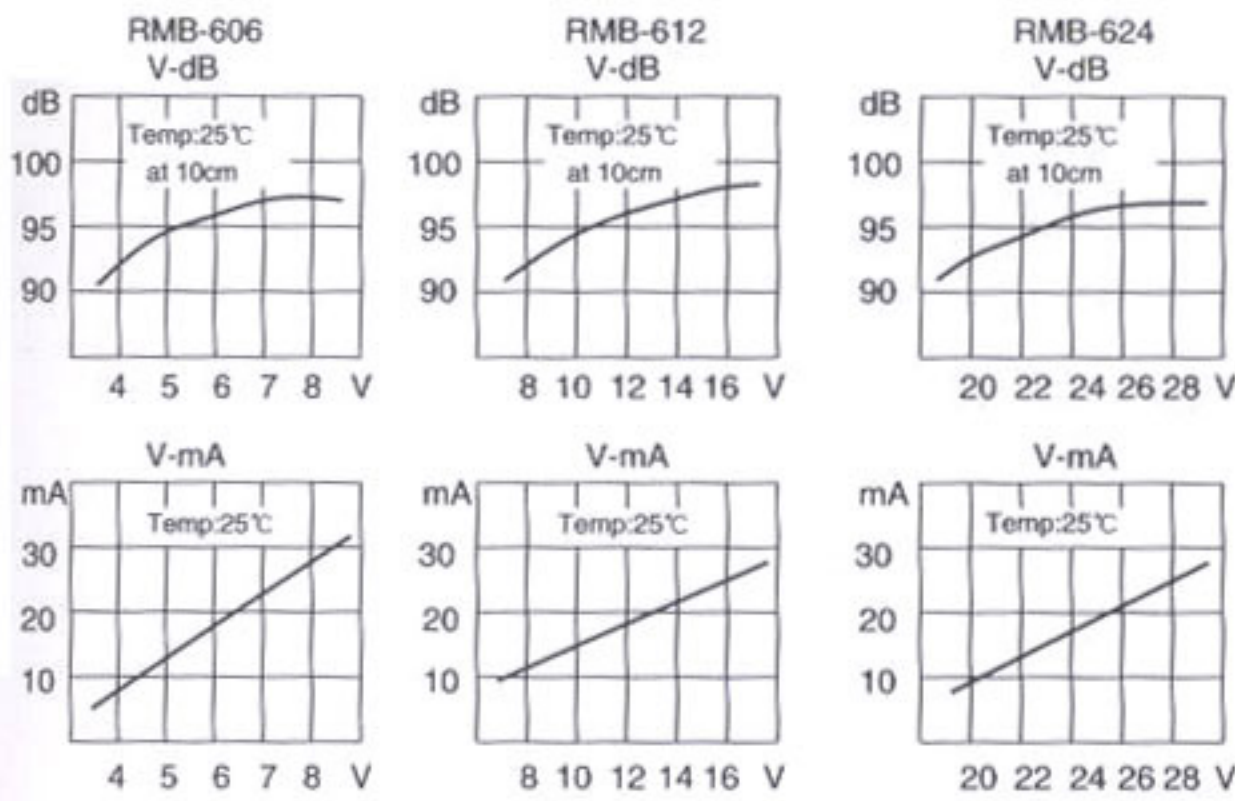
RMB

Type	RMB-06	RMB-12	RMB-24
Rated Voltage (Vdc)	6	12	24
Operating Voltage (Vdc)	4~8	7~16	20~28
Rated Current (mA)	≤33	≤23	≤21
Sound Output at 10cm (dB)	≥95		
Frequency (Hz)	300~500		
Response Time (ms)	≤150		
Operating Temperature (°C)	-40~+80		
Storage Temperature (°C)	-40~+80		
Weight (g)	16		

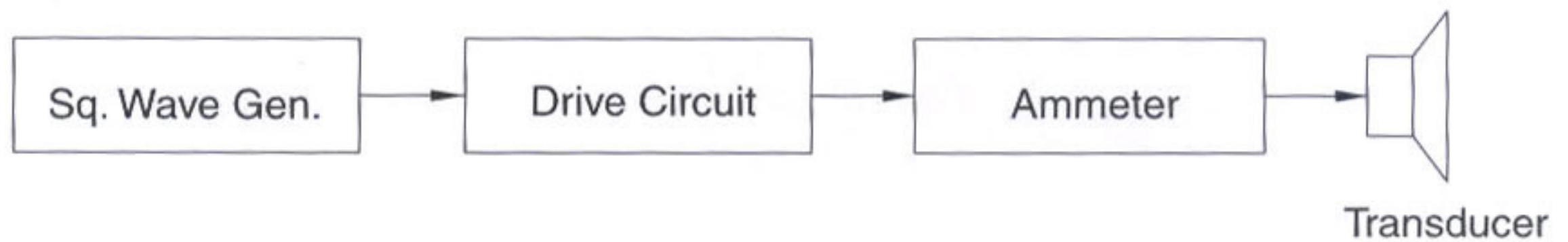


RMB

Type	RMB-606	RMB-612	RMB-624
Rated Voltage (Vdc)	6	12	24
Operating Voltage (Vdc)	4~8	8~16	20~28
Rated Current (mA)	≤20	≤25	≤20
Sound Output at 10cm (dB)	≥92	≥95	≥92
Frequency (Hz)	300~500		
Response Time (ms)	≤200		
Operating Temperature (°C)	-40~+80		
Storage Temperature (°C)	-40~+80		
Weight (g)	15		



DRIVE CIRCUIT



TEST FIXTURE

