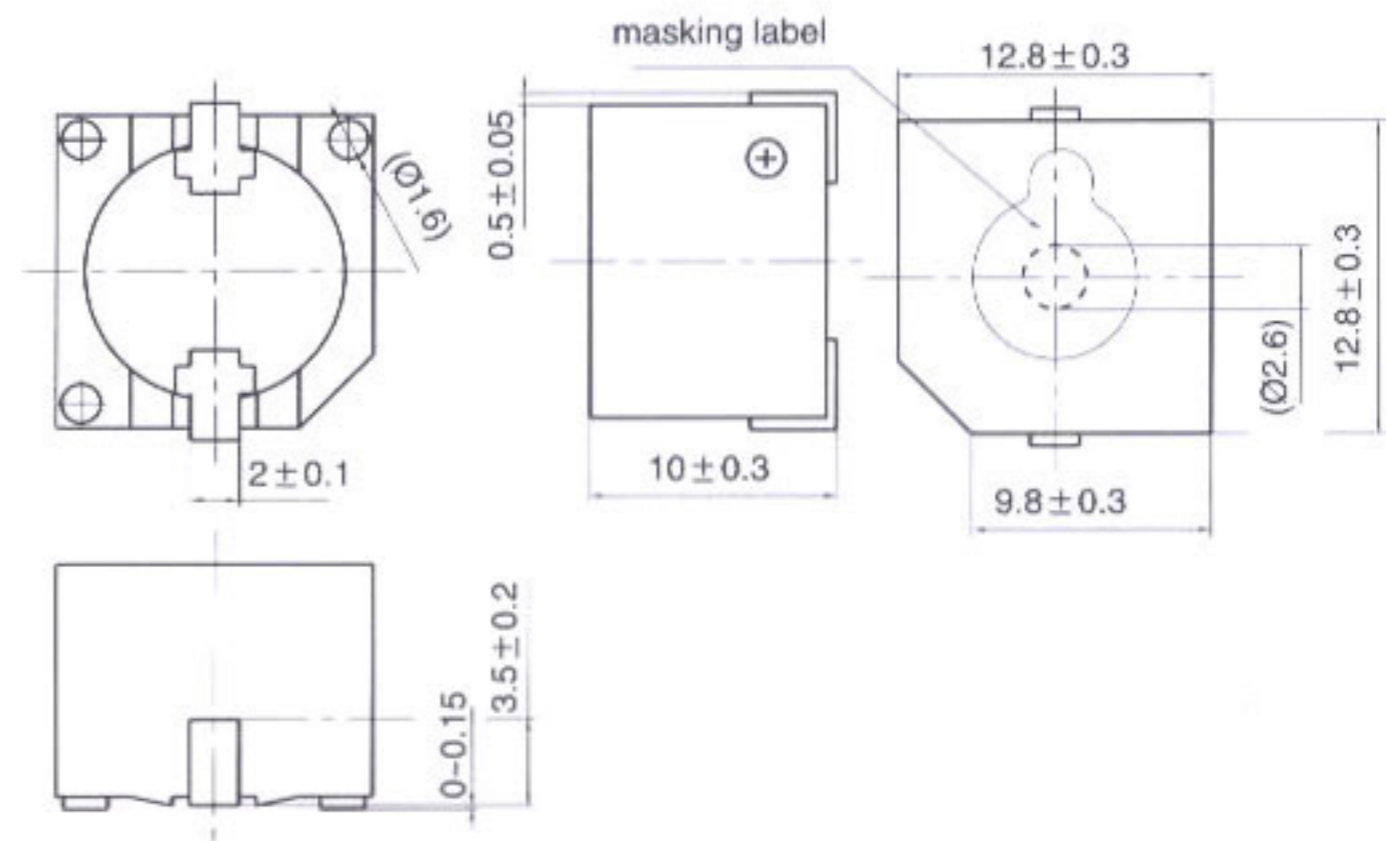
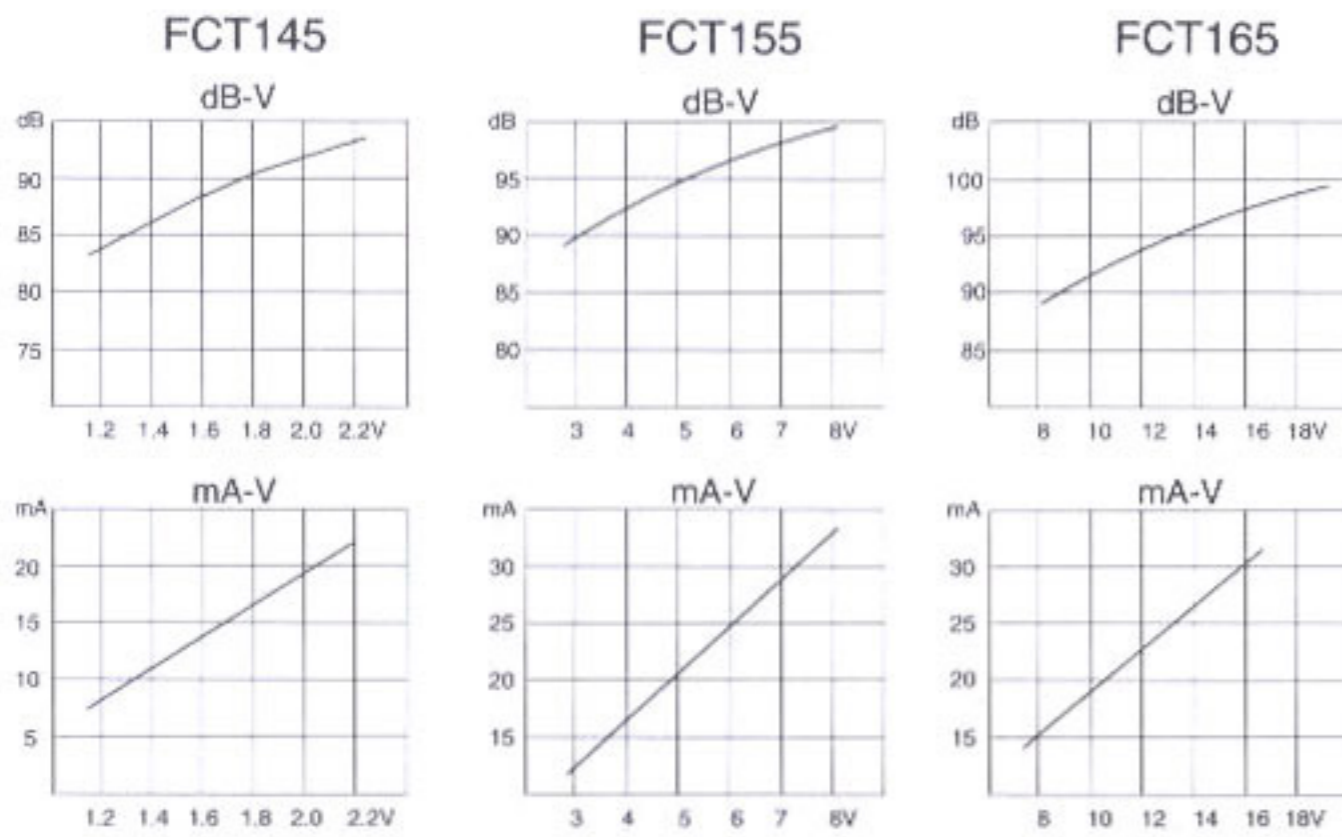
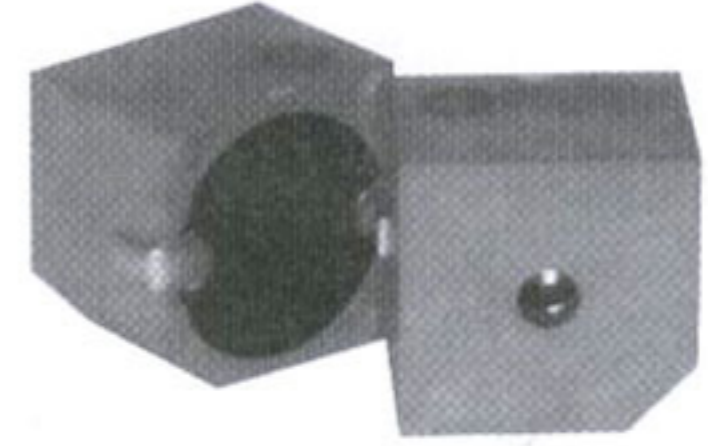


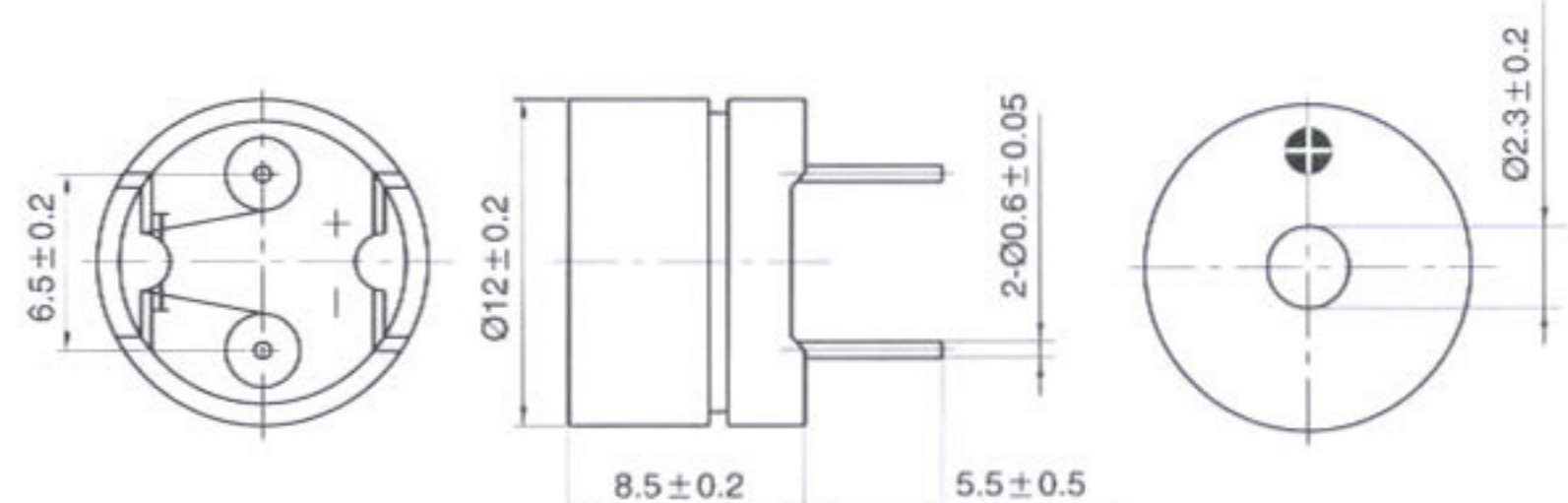
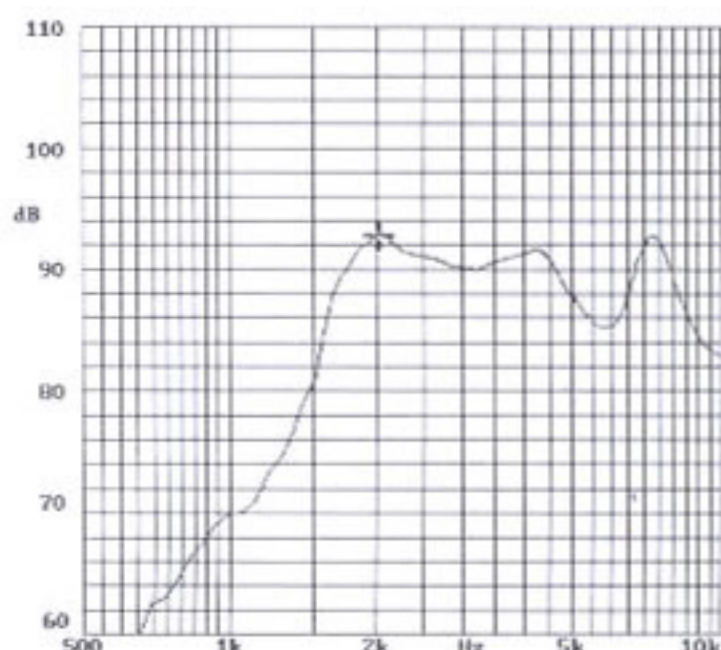
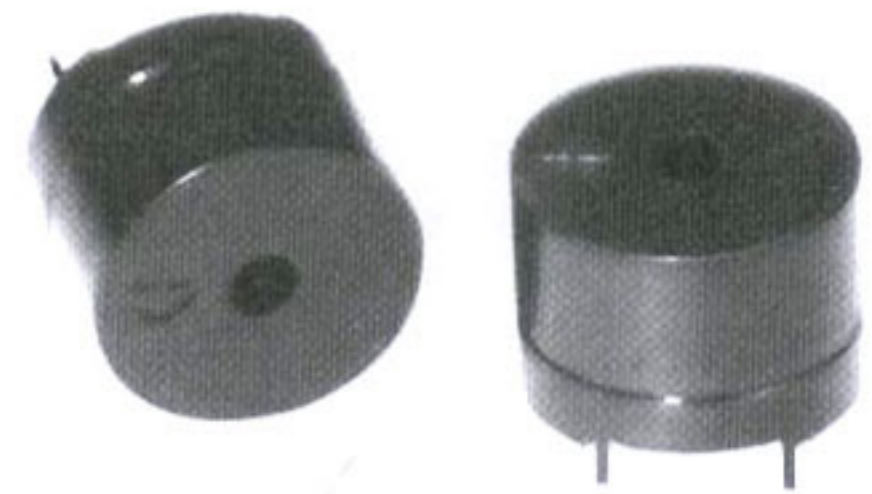
FCT145/155/165

Type	FCT145	FCT155	FCT165
Rated Voltage (V)	1.5	5	12
Operating Voltage (V)	1.4 ~3	4~7	8 ~15
Rated Current (mA)	Max. 20	Max. 30	
Sound Output at 10 cm (dB)	Min.75	Min.85	
Resonant Frequency (Hz)	2400 ± 400	2300 ± 300	
Operating Temperature (°C)	-20~+70		
Storage Temperature (°C)	-30~+80		
Weight (g)	2		



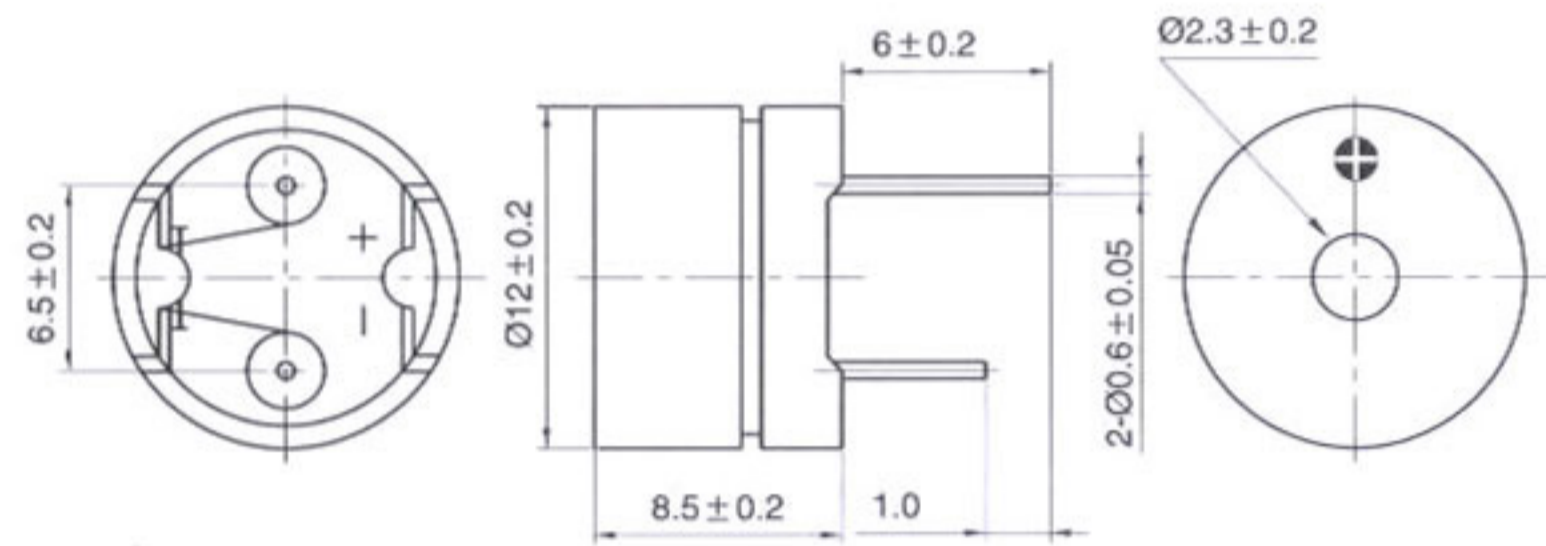
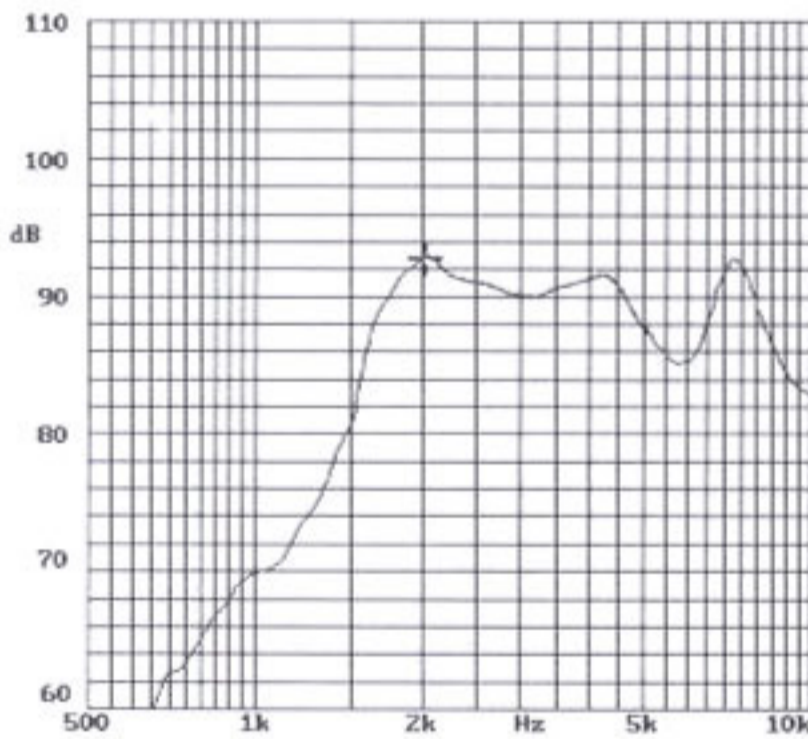
HC12G-P SERIES

Type	HC12G-1P	HC12G-2P	HC12G-3P
Rated Voltage (V)	1.5		
Operating Voltage (V)	1~2		
Rated Current (mA)	Max. 30	Max. 10	
Coil Resistance (Ω)	16 ± 4	42 ± 6	50 ± 7.5
Coil Impedance (Ω)	40	120	140
Sound Output at 10 cm (dB)	Min.85	Min.80	
Resonant Frequency (Hz)	2048		
Operating Temperature (°C)	-25~+70		
Storage Temperature (°C)	-30~ +85		
Weight (g)	2		



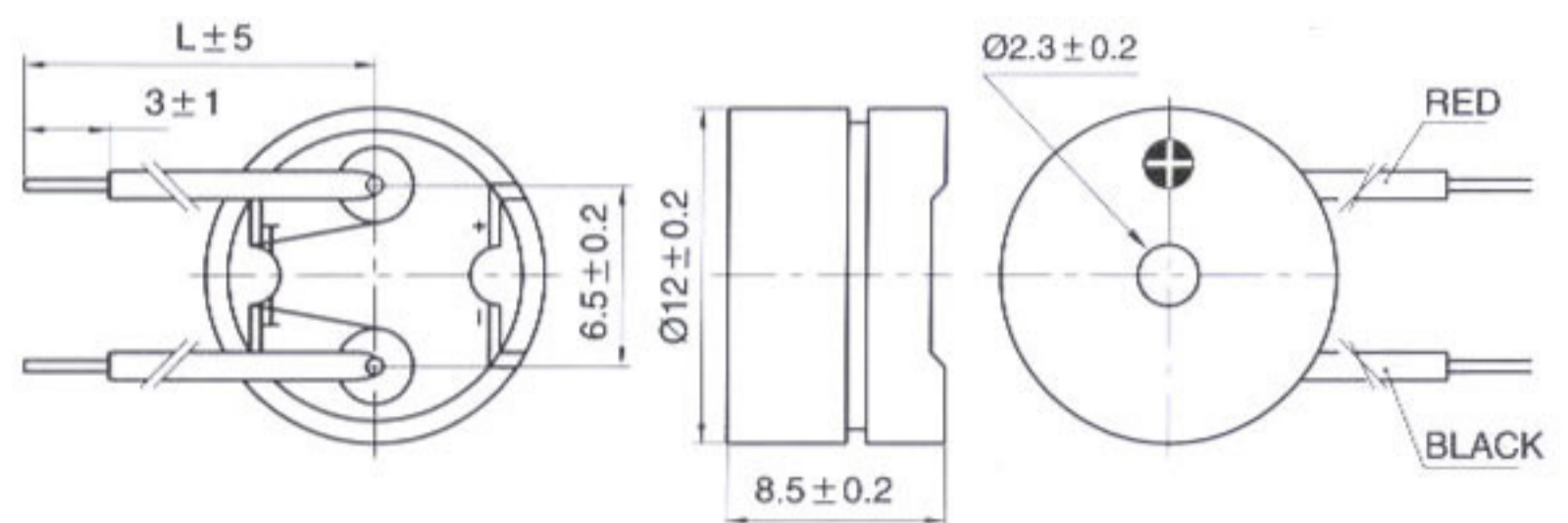
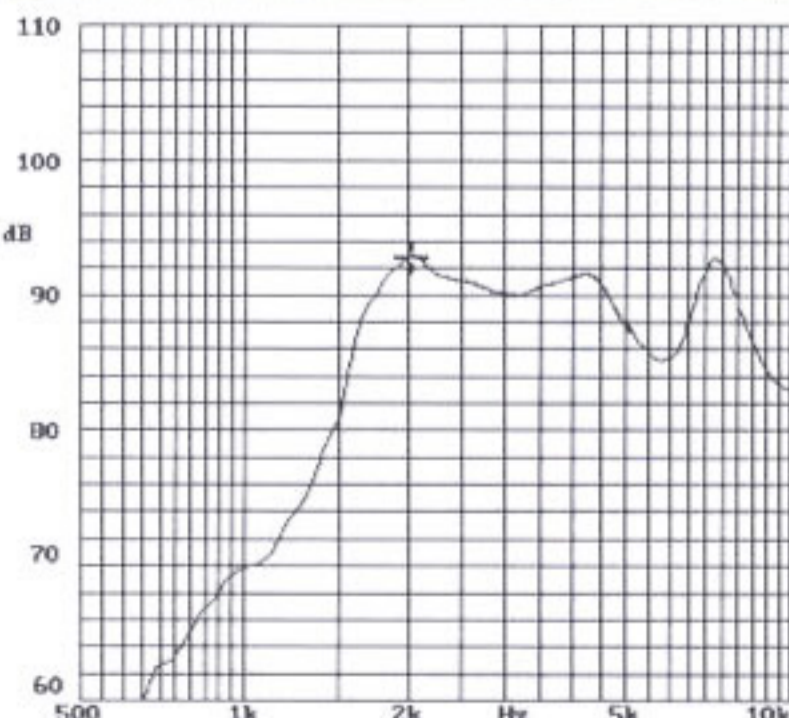
HC12G-1DP/2DP

Type	HC12G-1DP	HC12G-2DP
Rated Voltage (V)	1.5	5
Operating Voltage (V)	1~2	1.1~6
Rated Current (mA)	Max. 30	Max. 50
Coil Resistance (Ω)	16 ± 4	42 ± 6
Coil Impedance (Ω)	40	120
Sound Output at 10 cm (dB)	Min.85	Min.88
Resonant Frequency (Hz)	2048	
Operating Temperature ($^{\circ}\text{C}$)	-20 ~ +70	
Storage Temperature ($^{\circ}\text{C}$)	-30 ~ +80	
Weight (g)	2	



HC12G-W SERIES

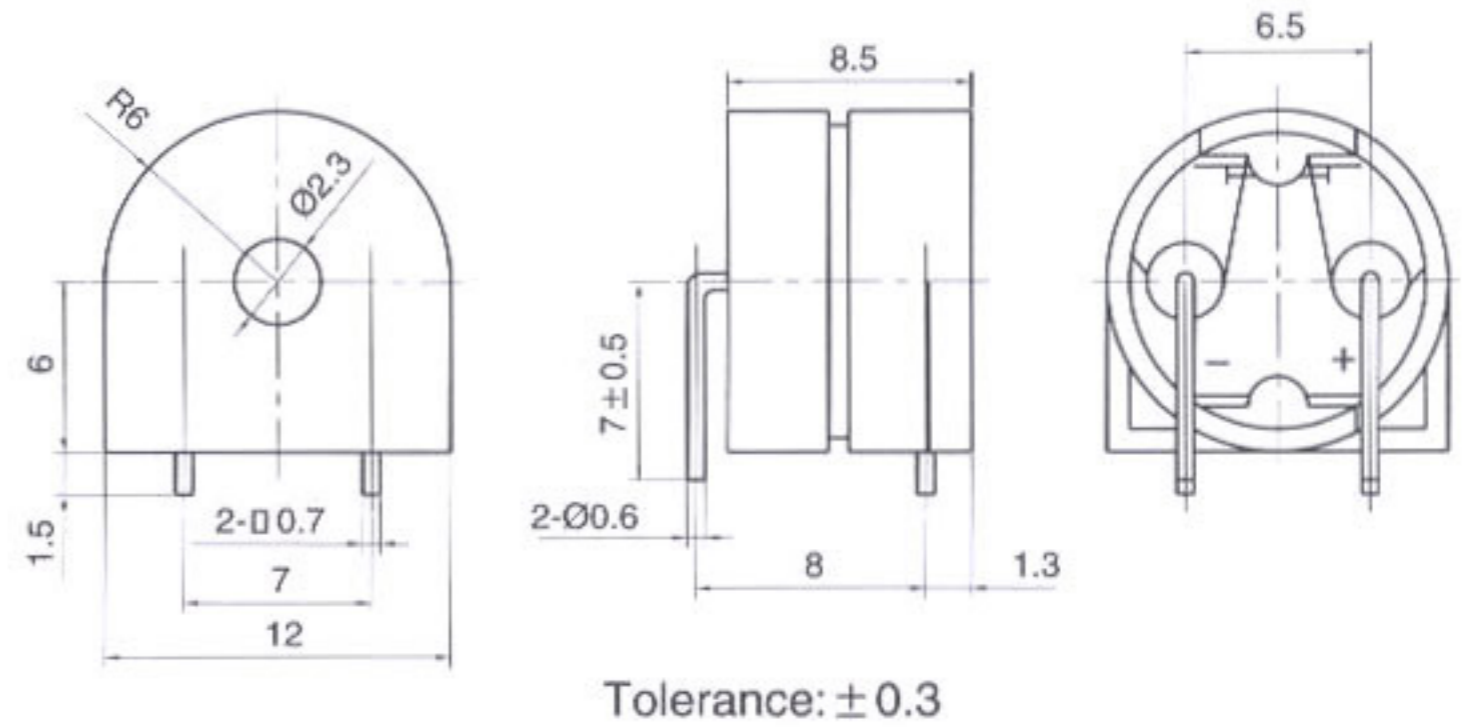
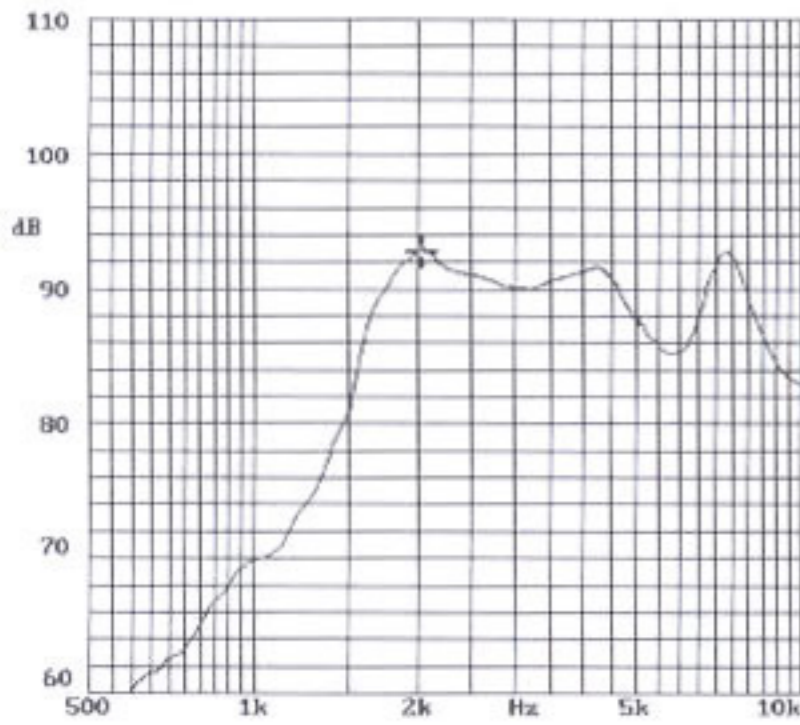
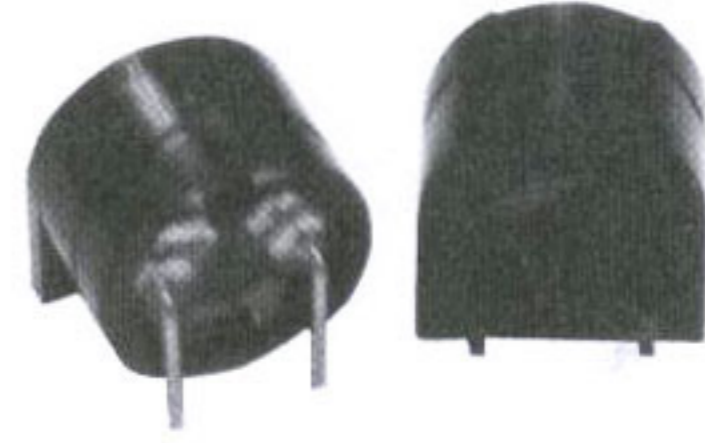
Type	HC12G-1W	HC12G-2W
Rated Voltage (V)	1.5	
Operating Voltage (V)	1~2	
Rated Current (mA)	Max. 30	Max. 10
Coil Resistance (Ω)	16 ± 4	42 ± 6
Coil Impedance (Ω)	40	120
Sound Output at 10 cm (dB)	Min.85	Min.80
Resonant Frequency (Hz)	2048	
Operating Temperature ($^{\circ}\text{C}$)	-25 ~ +70	
Storage Temperature ($^{\circ}\text{C}$)	-30 ~ +85	
Weight (g)	2	



L:20-200 mm

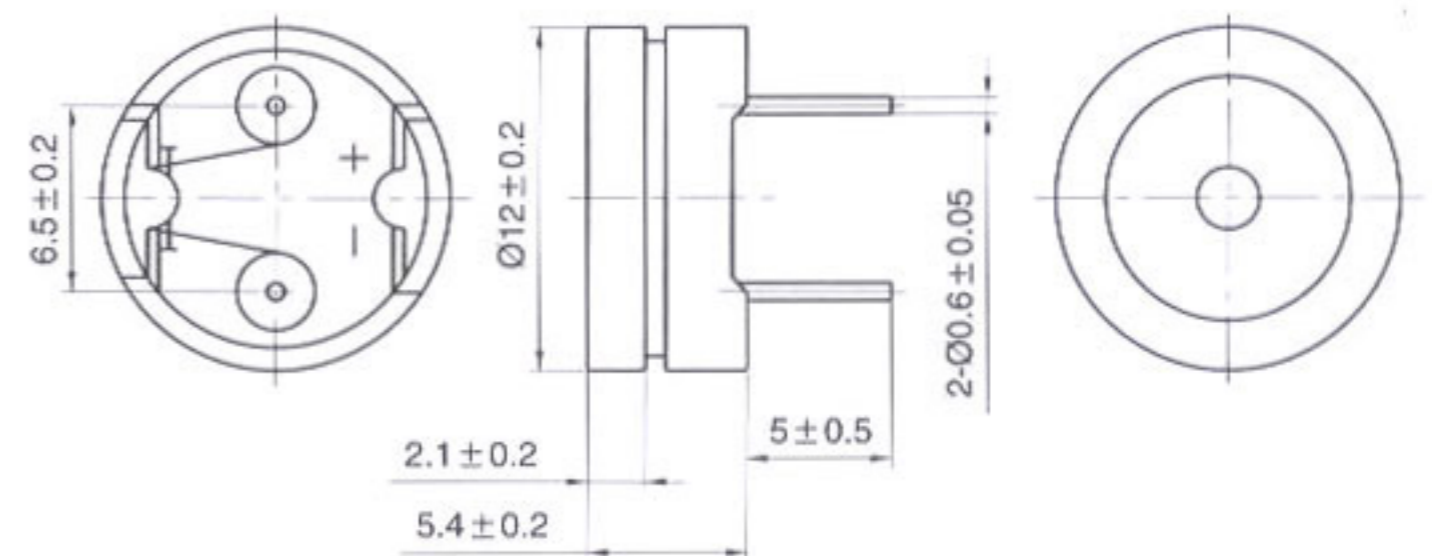
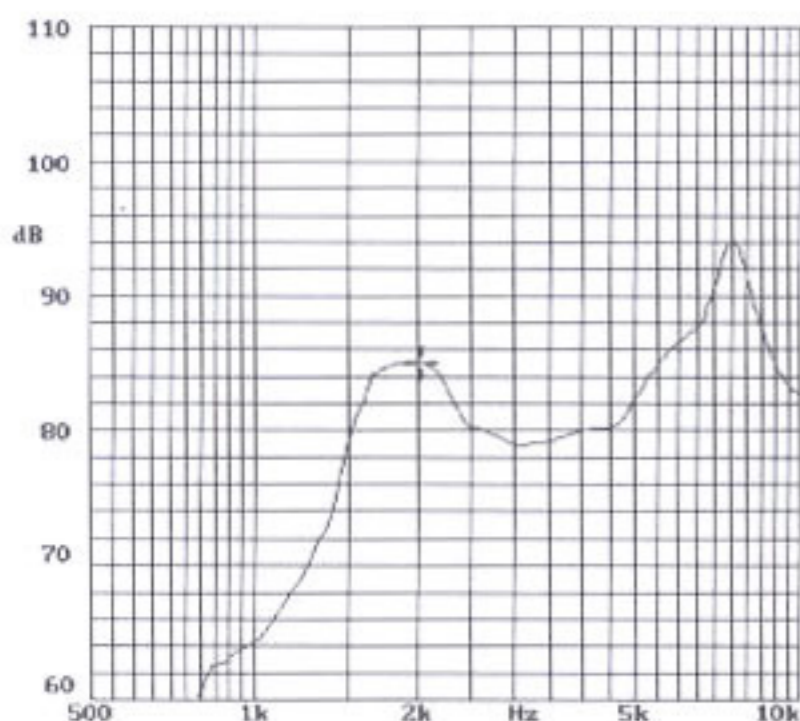
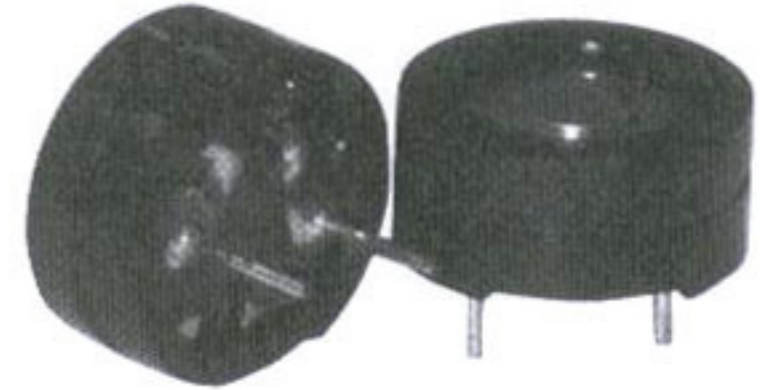
HC12-104

Rated Voltage (V)	1.5
Operating Voltage (V)	1~2
Rated Current (mA)	Max. 30
Coil Resistance (Ω)	16 ± 4.5
Coil Impedance (Ω)	40
Sound Output at 10 cm (dB)	Min.85
Resonant Frequency (Hz)	2048
Operating Temperature ($^{\circ}\text{C}$)	-20 ~ +70
Storage Temperature ($^{\circ}\text{C}$)	-30 ~ +85
Weight (g)	2



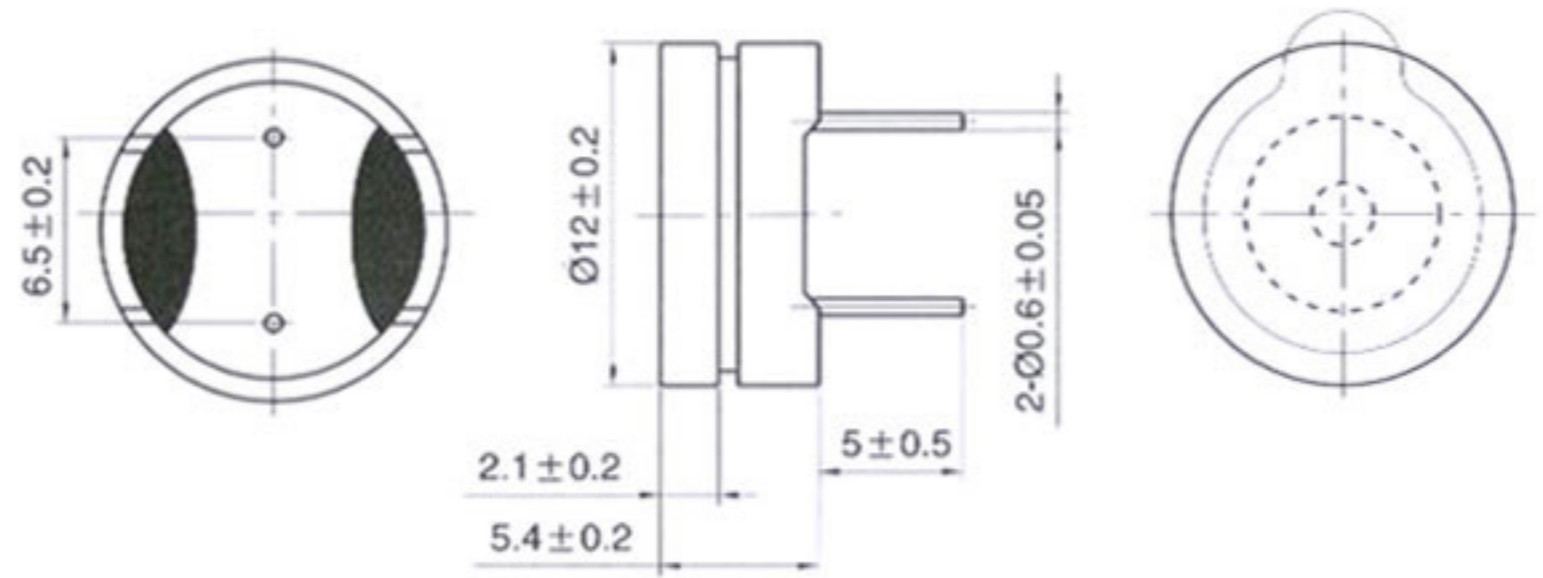
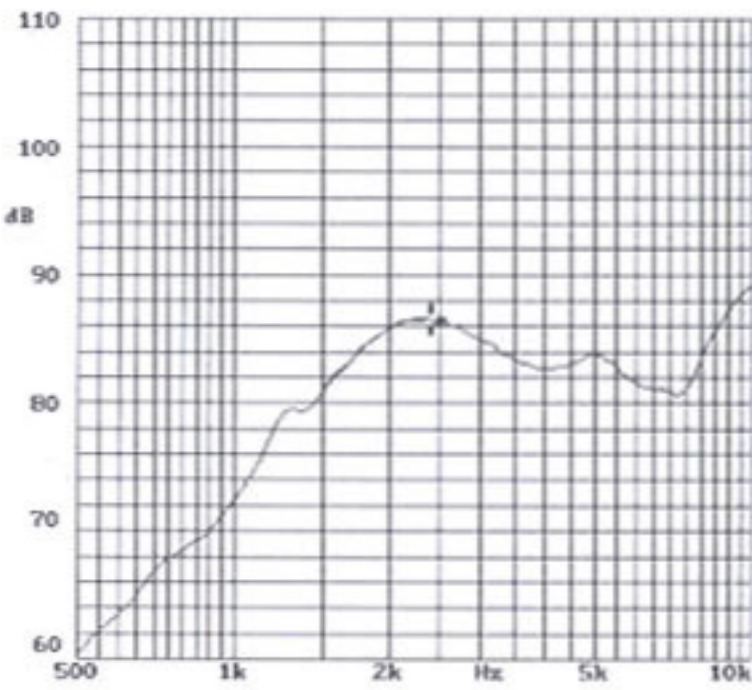
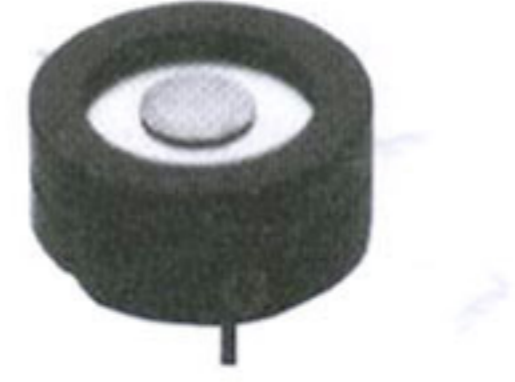
HC12-105 SERIES

Type	HC12-105A	HC12-105B	HC12-105C
Rated Voltage (V)	1.5		
Operating Voltage (V)	1~2		
Rated Current (mA)	Max. 30	Max. 10	
Coil Resistance (Ω)	16 ± 4	42 ± 6	50 ± 7.5
Coil Impedance (Ω)	40	120	140
Sound Output at 10 cm (dB)	Min.75	Min.70	
Resonant Frequency (Hz)	2048		
Operating Temperature ($^{\circ}\text{C}$)	-25 ~ +70		
Storage Temperature ($^{\circ}\text{C}$)	-30 ~ +85		
Weight (g)	2		



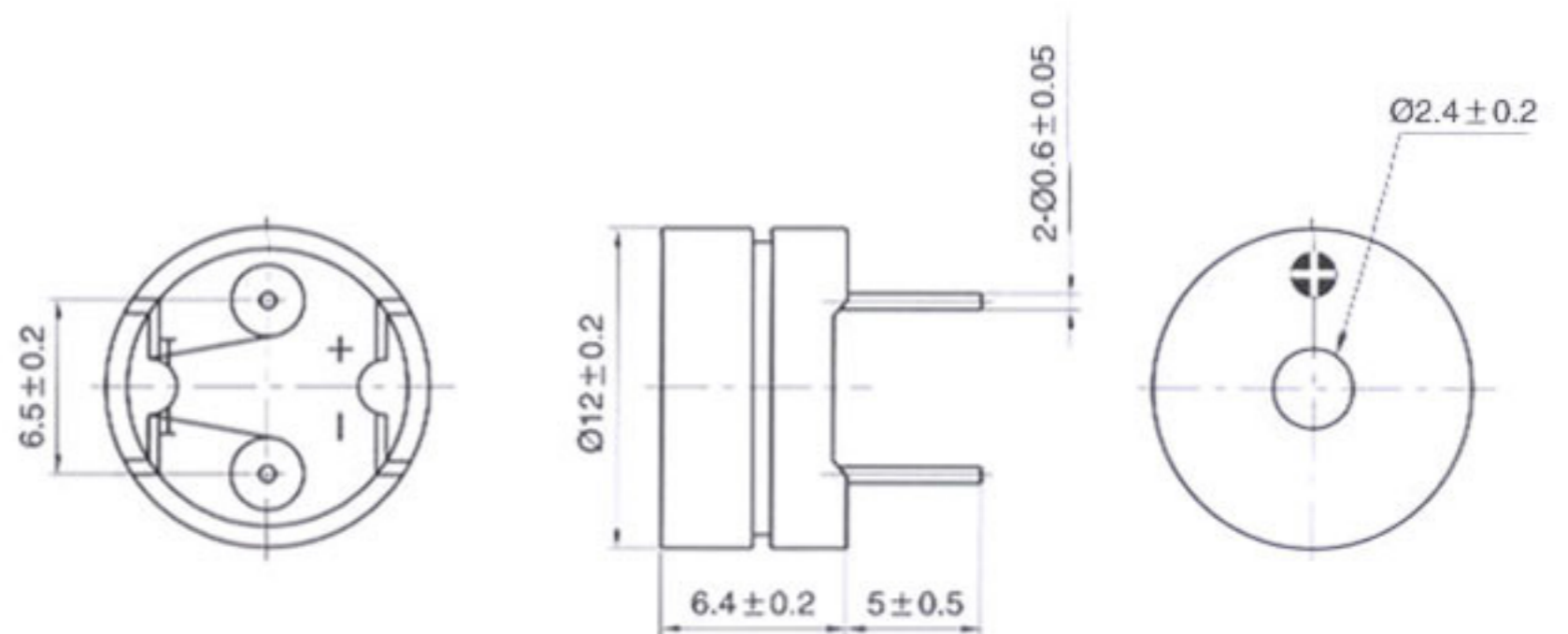
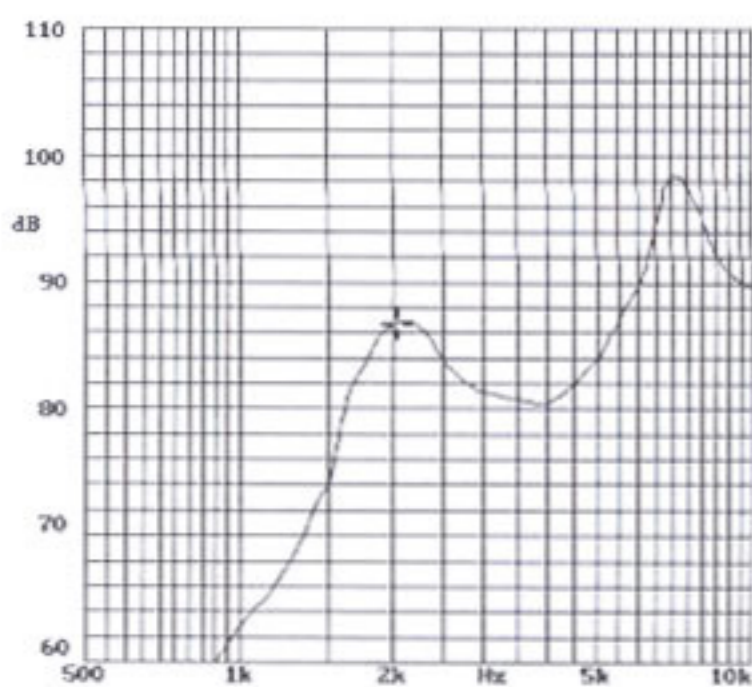
HCM12-105P

Rated Voltage (V)	3
Operating Voltage (V)	2~4
Rated Current (mA)	Max. 40
Coil Resistance(Ω)	32 ± 4.5
Sound Output at 10 cm (dB)	Min.85
Resonant Frequency (Hz)	2400
Operating Temperature ($^{\circ}\text{C}$)	-25~+70
Storage Temperature ($^{\circ}\text{C}$)	-30~+85
Weight (g)	2



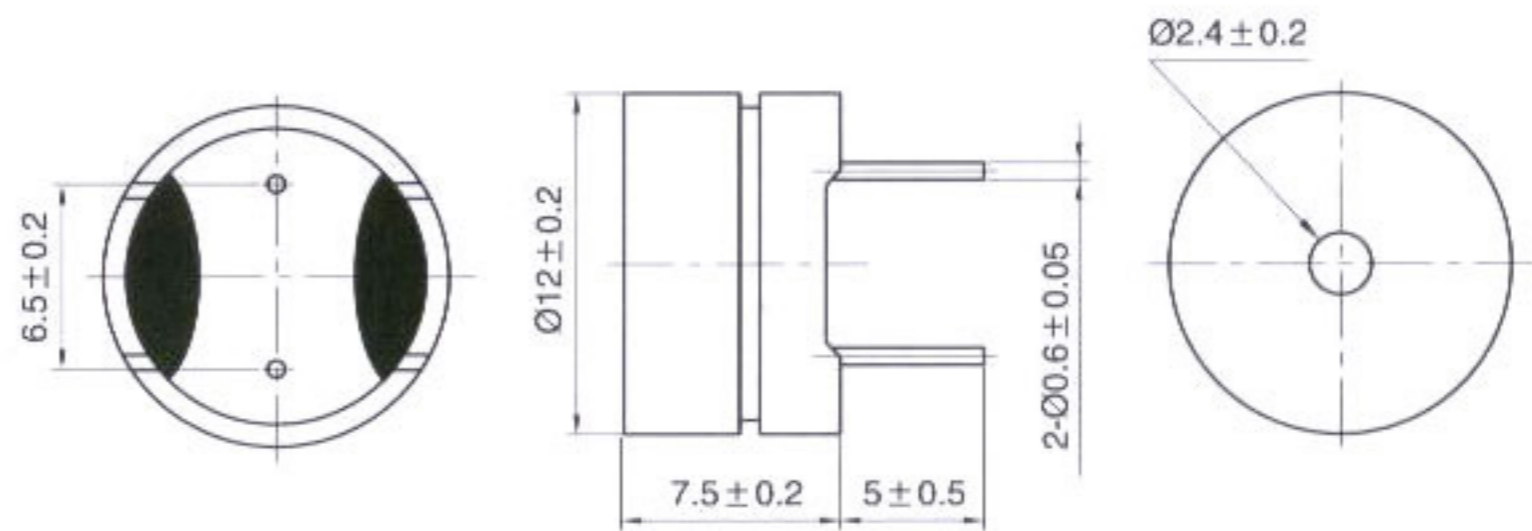
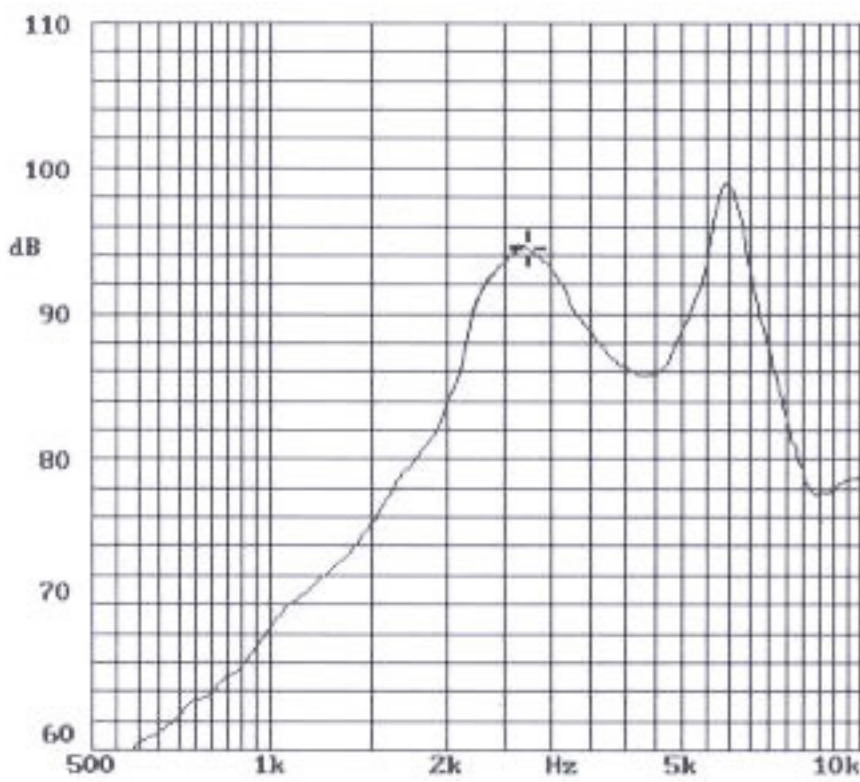
HC12-106

Rated Voltage (V)	1.5
Operating Voltage (V)	1~4
Rated Current (mA)	Max. 30
Coil Resistance (Ω)	16 ± 4
Coil Impedance (Ω)	40
Sound Output at 10 cm (dB)	Min.83
Resonant Frequency (Hz)	2048
Operating Temperature ($^{\circ}\text{C}$)	-25~+70
Storage Temperature ($^{\circ}\text{C}$)	-30~+85
Weight (g)	2



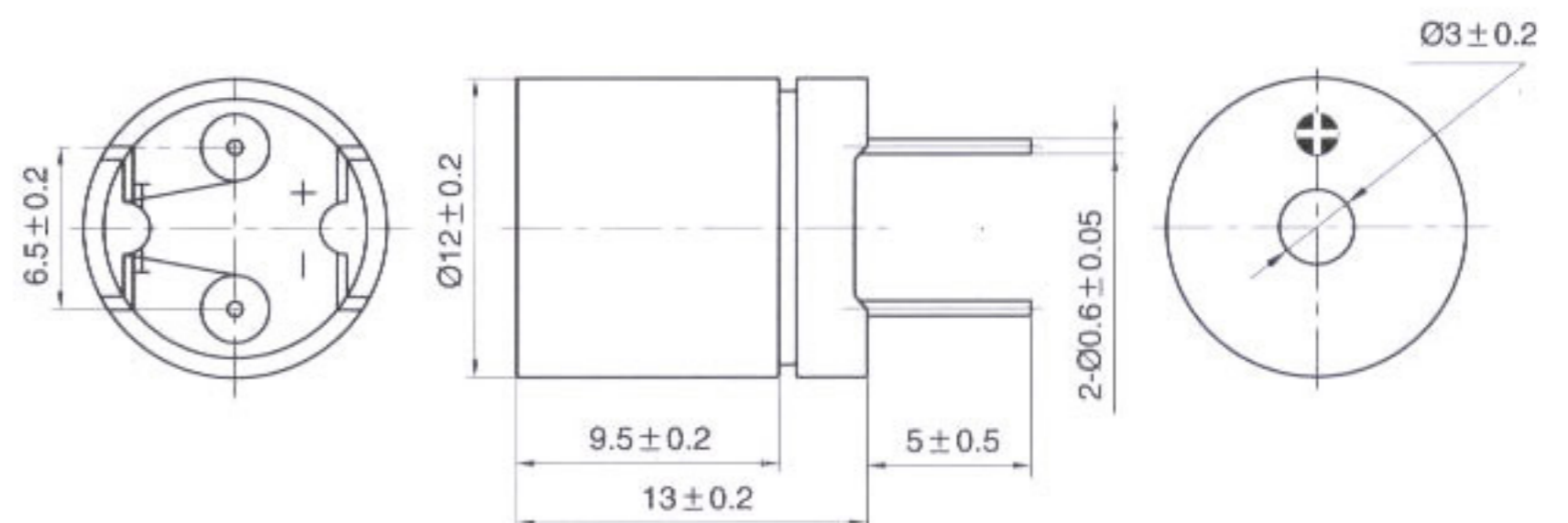
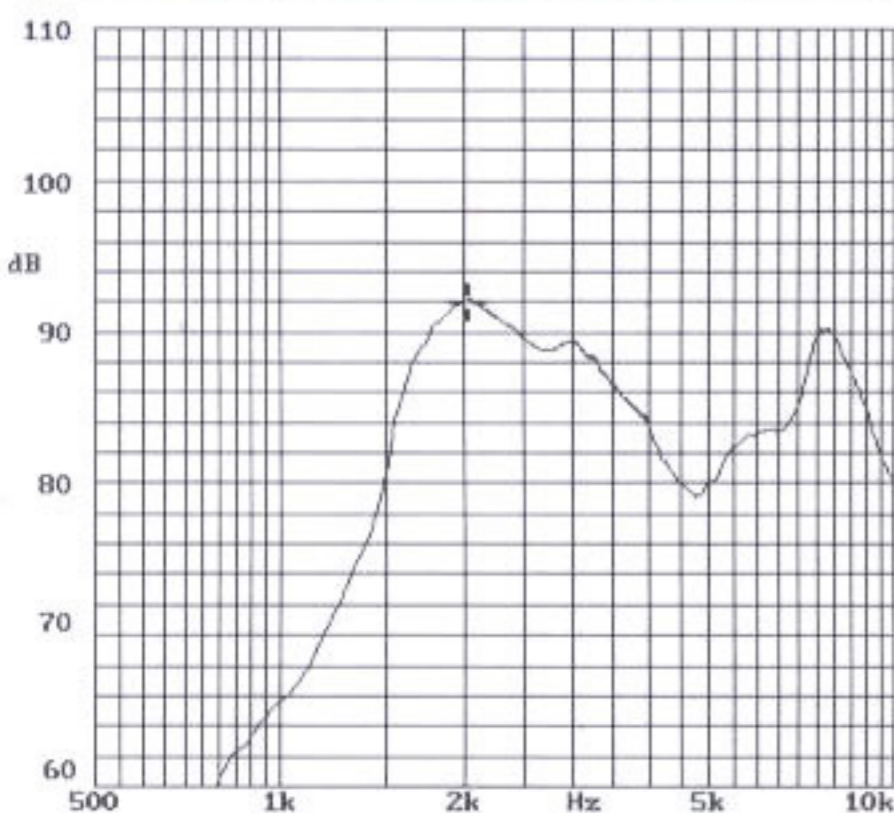
HC12-108P

Rated Voltage (V)	1.5
Operating Voltage (V)	1~2
Rated Current (mA)	Max. 70
Coil Resistance (Ω)	6.5 ± 1
Coil Impedance (Ω)	16
Sound Output at 10 cm (dB)	Min.85
Resonant Frequency (Hz)	2743
Operating Temperature ($^{\circ}\text{C}$)	-20 ~ +60
Storage Temperature ($^{\circ}\text{C}$)	-30 ~ +70
Weight (g)	2



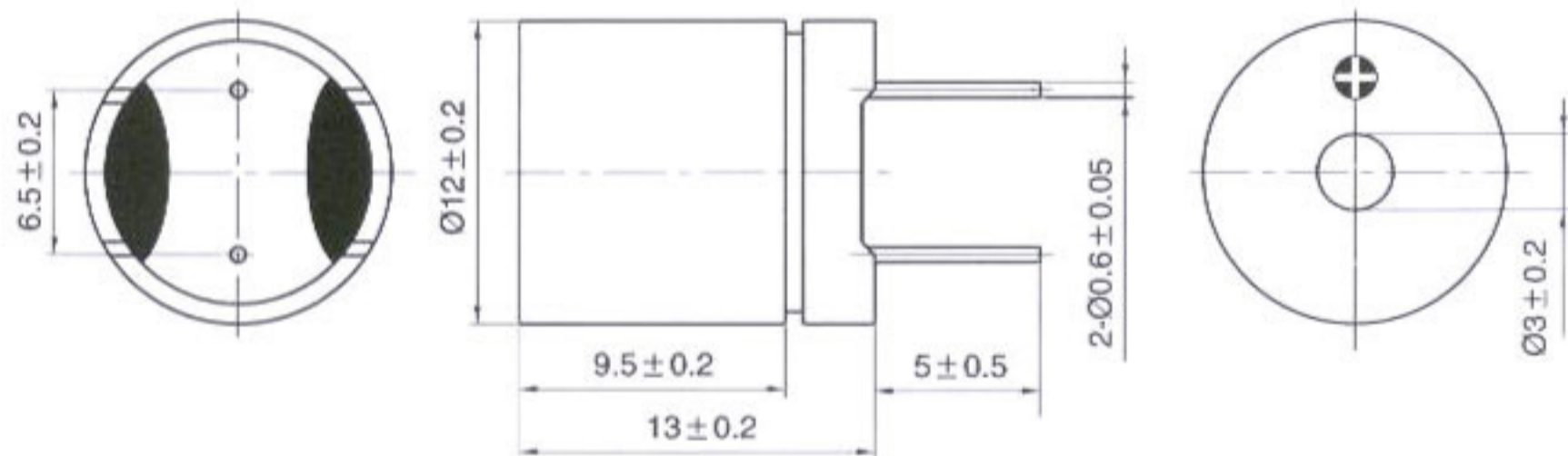
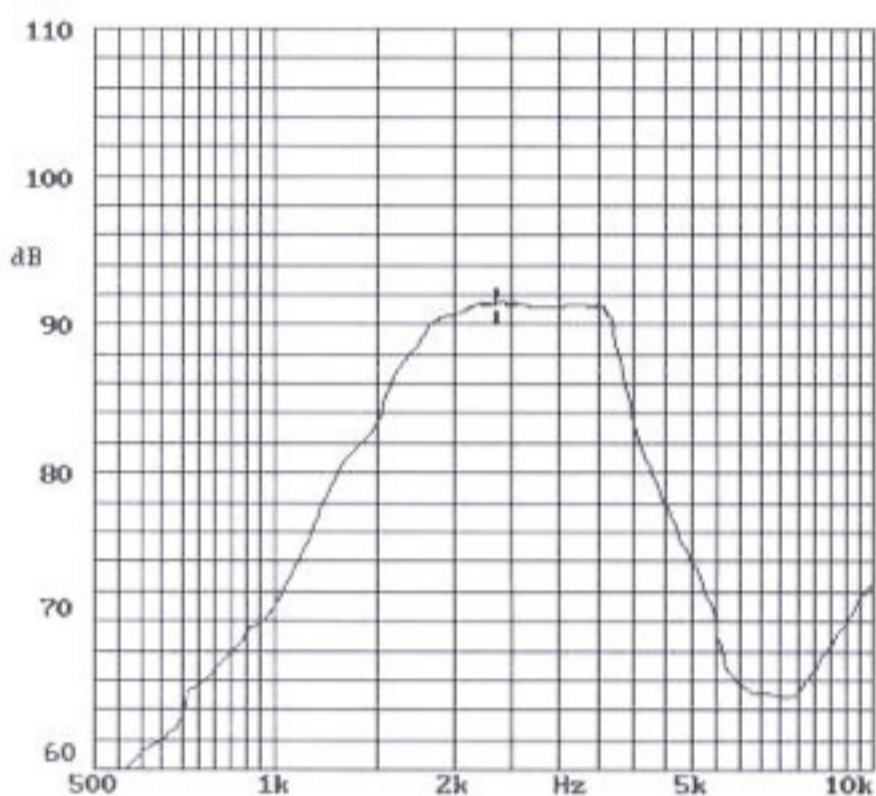
HC12-113P

Rated Voltage (V)	1.5
Operating Voltage (V)	1~2
Rated Current (mA)	Max. 30
Coil Resistance (Ω)	16 ± 4
Coil Impedance (Ω)	40
Sound Output at 10 cm (dB)	Min.80
Resonant Frequency (Hz)	2048
Operating Temperature ($^{\circ}\text{C}$)	-25 ~ +70
Storage Temperature ($^{\circ}\text{C}$)	-30 ~ +85
Weight (g)	2



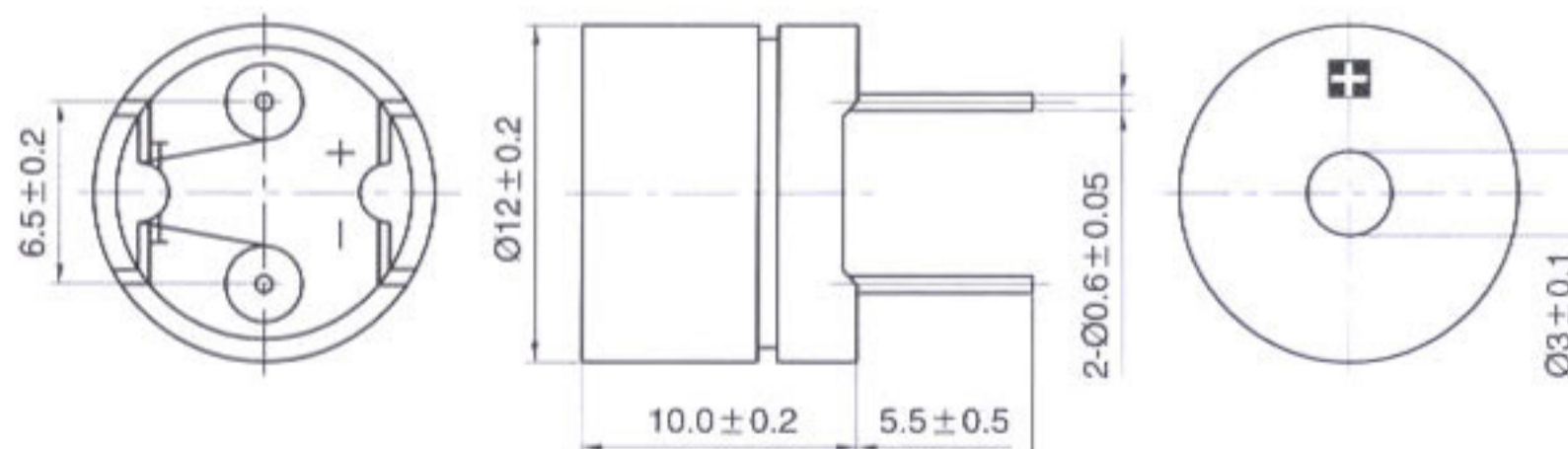
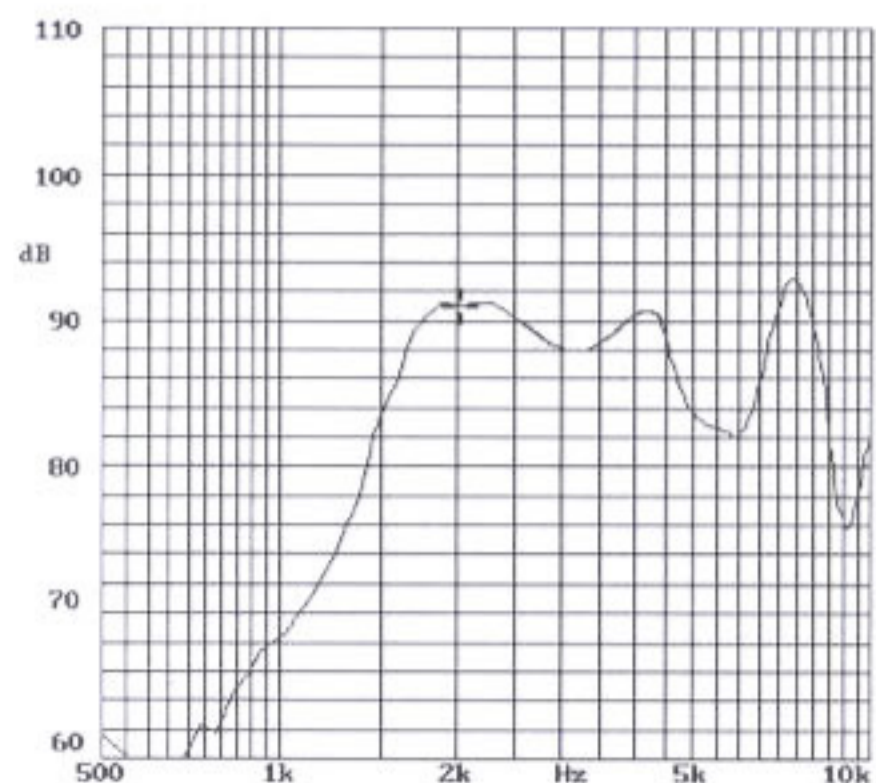
HCM12-113P

Rated Voltage (V)	1.5
Operating Voltage (V)	1~3
Rated Current (mA)	Max. 35
Coil Resistance (Ω)	16 ± 4
Coil Impedance (Ω)	40
Sound Output at 10 cm (dB)	Min.88
Resonant Frequency (Hz)	2200 ~ 3000
Operating Temperature ($^{\circ}\text{C}$)	-25 ~ +70
Storage Temperature ($^{\circ}\text{C}$)	-30 ~ +85
Weight (g)	2



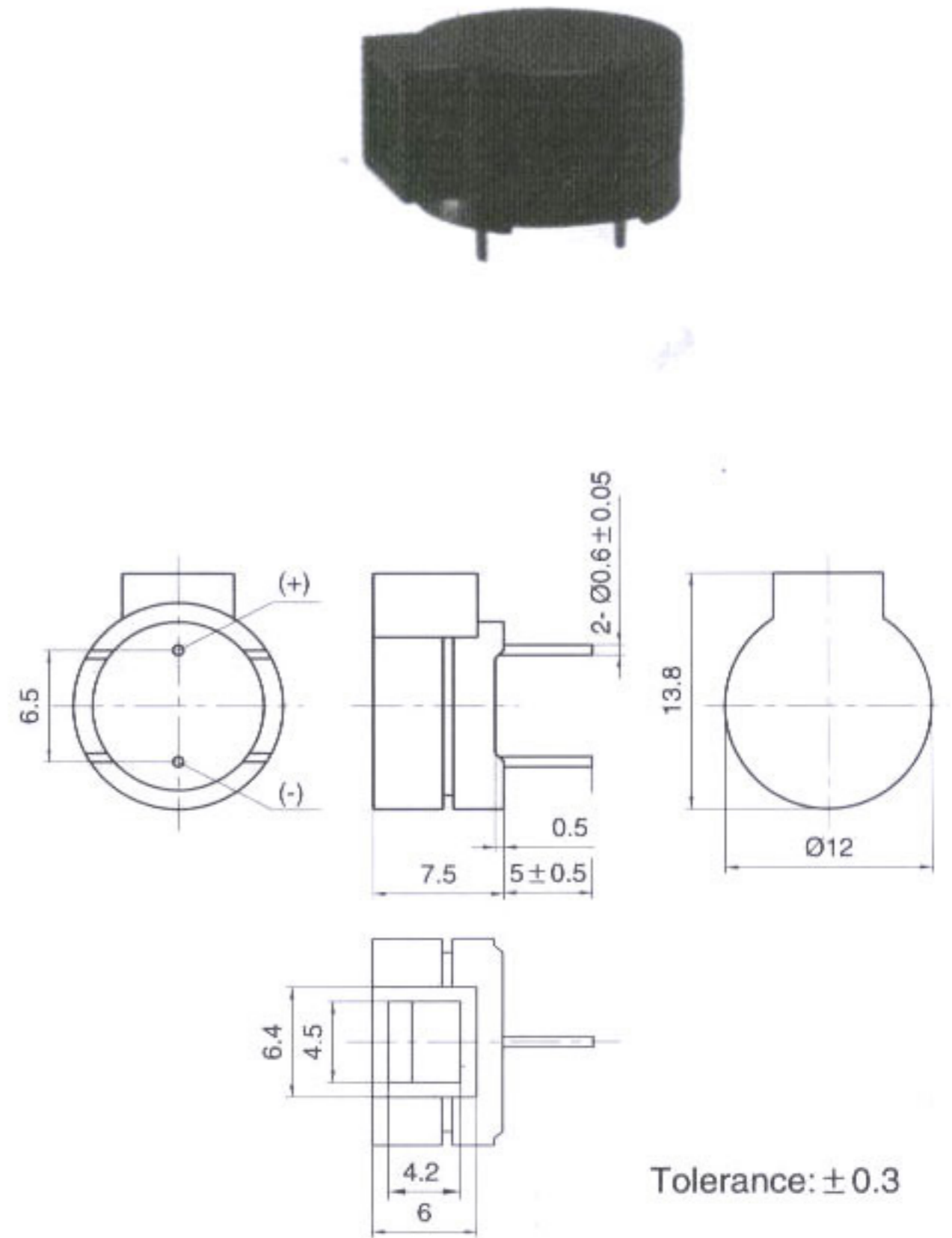
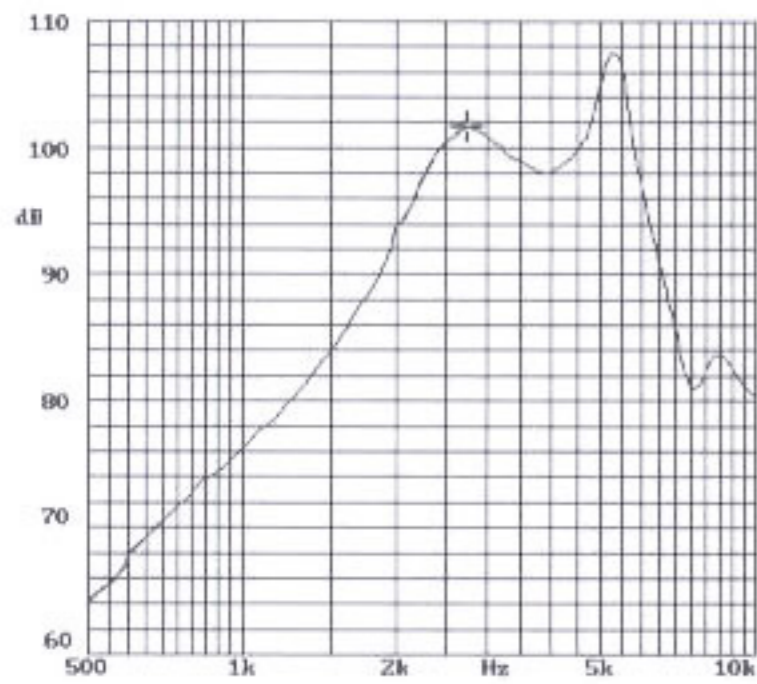
HC12R-1P

Rated Voltage (V)	1.5
Operating Voltage (V)	1~2
Rated Current (mA)	Max. 30
Coil Resistance (Ω)	16 ± 4
Coil Impedance (Ω)	40
Sound Output at 10 cm (dB)	Min.85
Resonant Frequency (Hz)	2048
Operating Temperature ($^{\circ}\text{C}$)	-25 ~ +70
Storage Temperature ($^{\circ}\text{C}$)	-30 ~ +85
Weight (g)	2



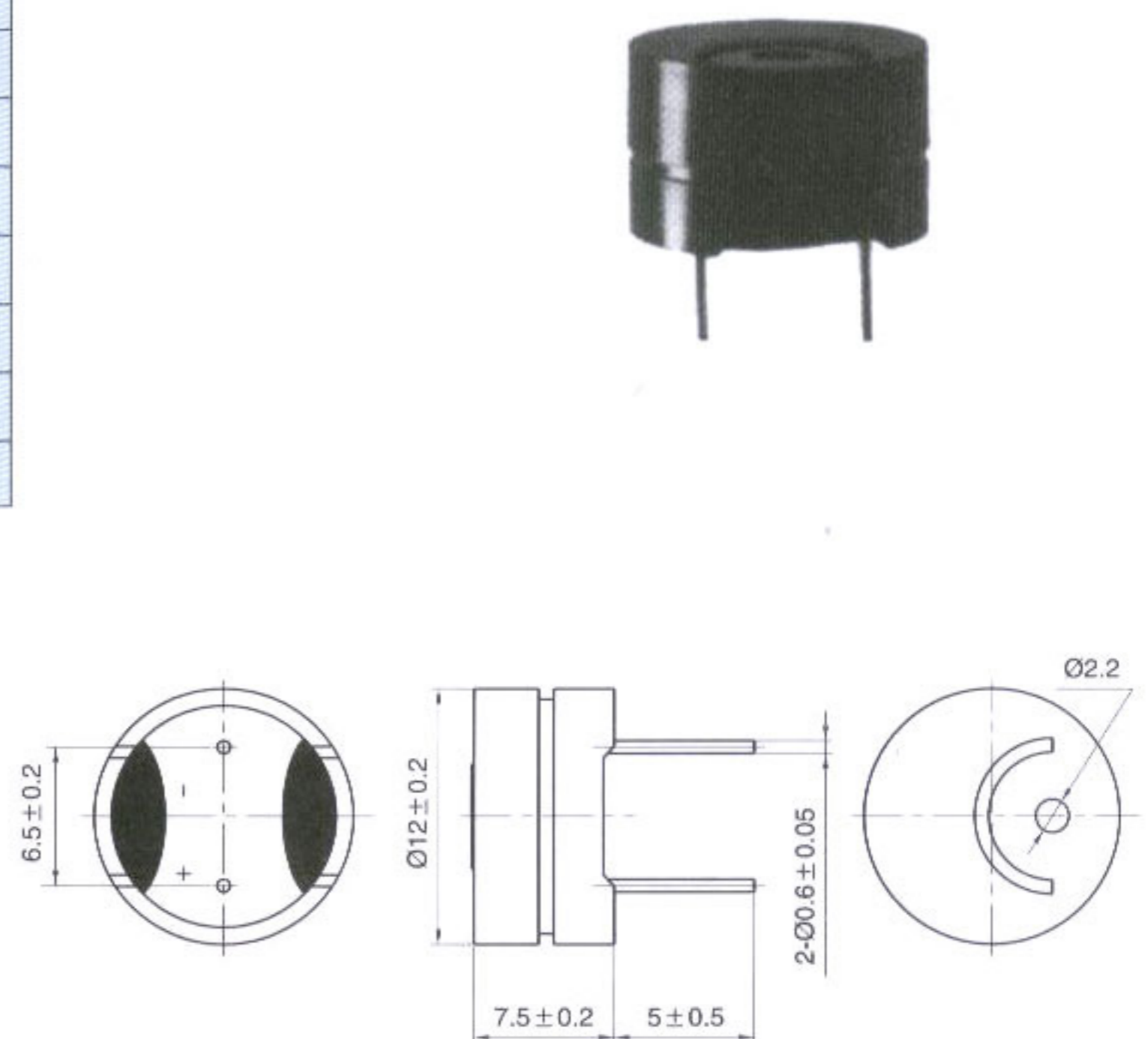
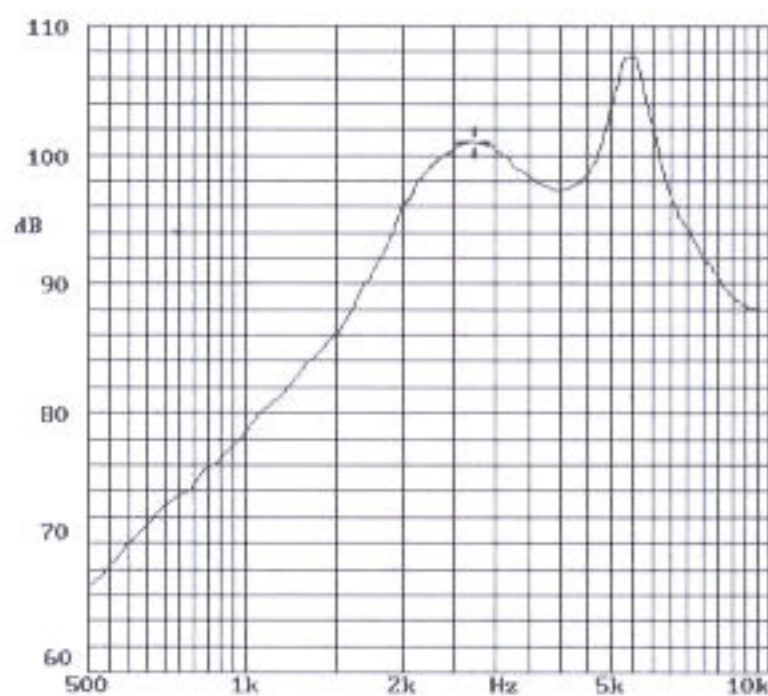
HC12-04A,B,C

Type	HC12-04A	HC12-04B	HC12-04C
Rated Voltage (V)	1.5		
Operating Voltage (V)	1~2		
Rated Current (mA)	Max. 70		Max. 10
Coil Resistance (Ω)	6.5 ± 1		50 ± 7.5
Coil Impedance (Ω)	16	22	140
Sound Output at 10 cm (dB)	Min.80	Min.85	Min.70
Resonant Frequency (Hz)	2048	2731	2048
Operating Temperature ($^{\circ}\text{C}$)	-25 ~ +70		
Storage Temperature ($^{\circ}\text{C}$)	-30 ~ +85		
Weight (g)	2		



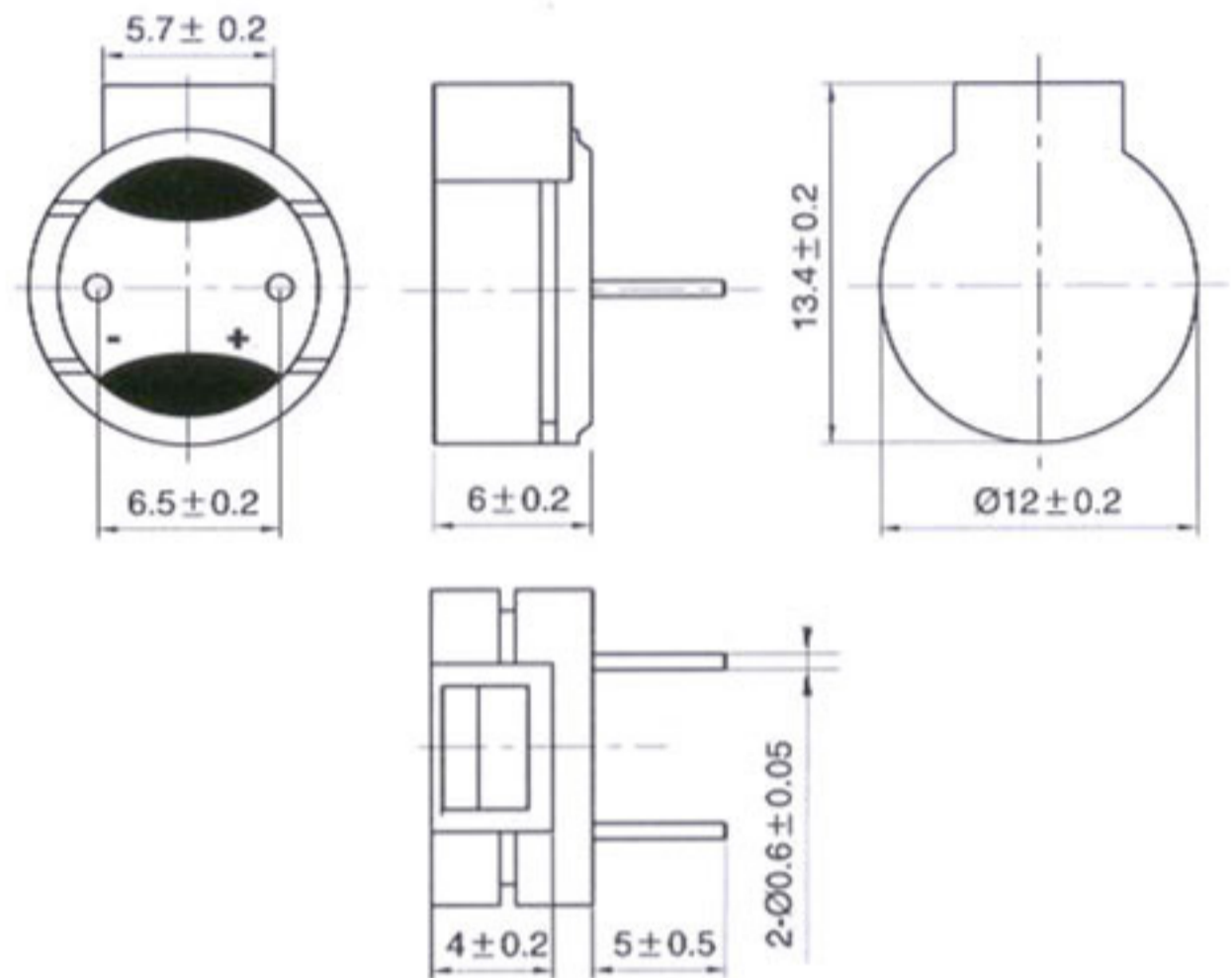
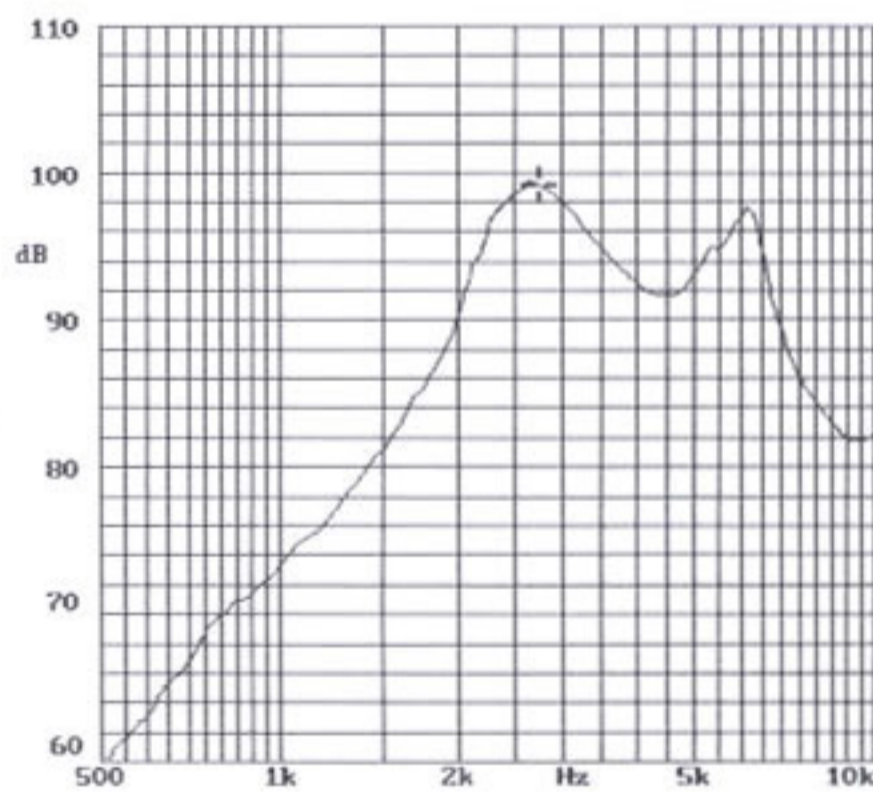
HC12-04D

Rated Voltage (V)	1.5
Operating Voltage (V)	1~2
Rated Current (mA)	Max. 70
Coil Resistance (Ω)	6.5 ± 1
Coil Impedance (Ω)	22
Sound Output at 10 cm (dB)	Min.85
Resonant Frequency (Hz)	2731
Operating Temperature ($^{\circ}\text{C}$)	-25 ~ +70
Storage Temperature ($^{\circ}\text{C}$)	-30 ~ +85
Weight (g)	2



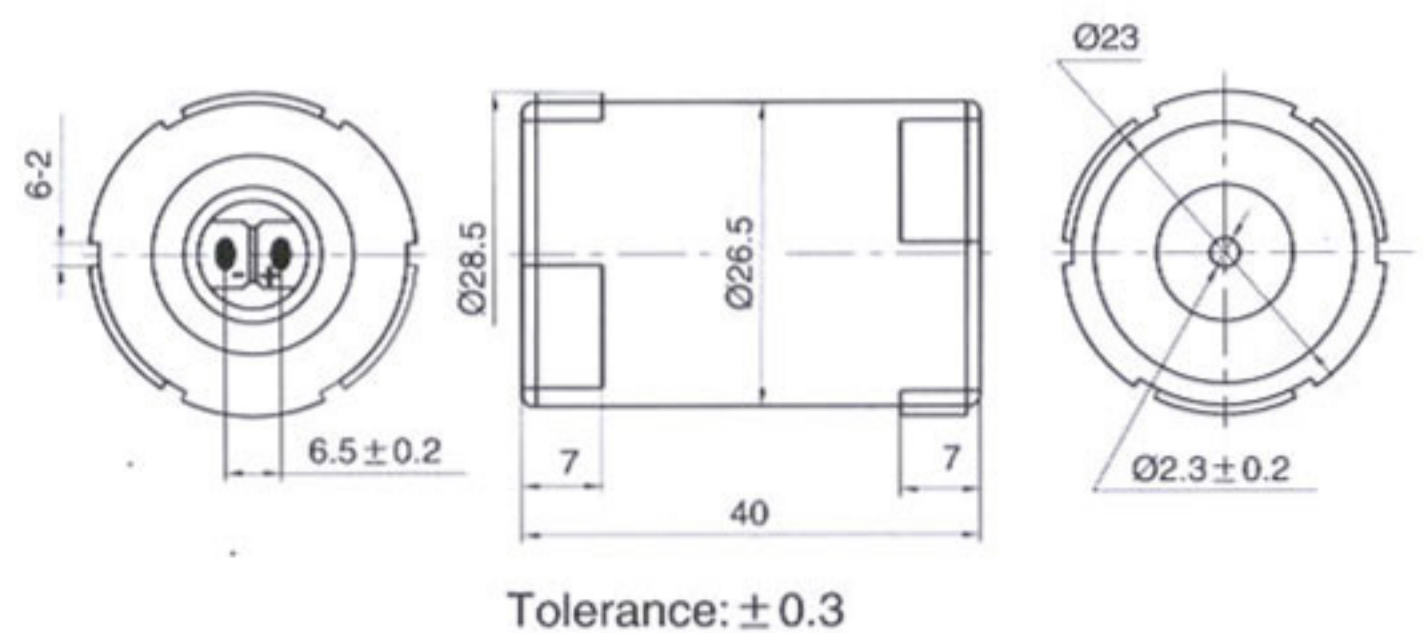
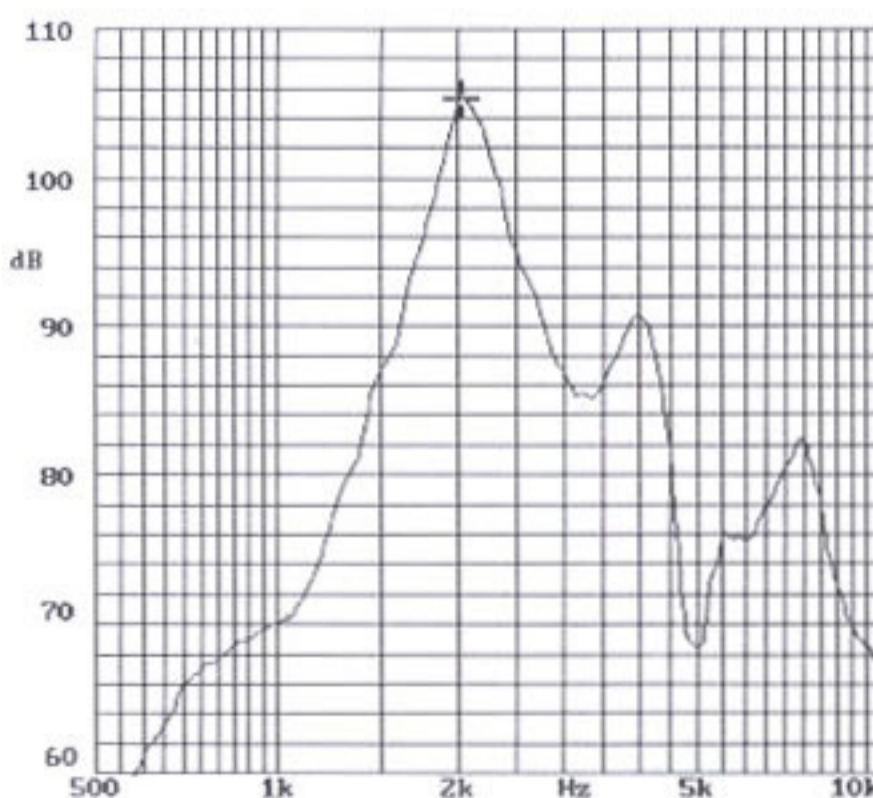
HC12-04G

Rated Voltage (V)	1.5
Operating Voltage (V)	1 ~ 2
Rated Current (mA)	Max. 70
Coil Resistance (Ω)	6.5 ± 1
Coil Impedance (Ω)	22
Sound Output at 10 cm (dB)	Min. 85
Resonant Frequency (Hz)	2731
Operating Temperature ($^{\circ}\text{C}$)	-25 ~ +70
Storage Temperature ($^{\circ}\text{C}$)	-30 ~ +85
Weight (g)	2



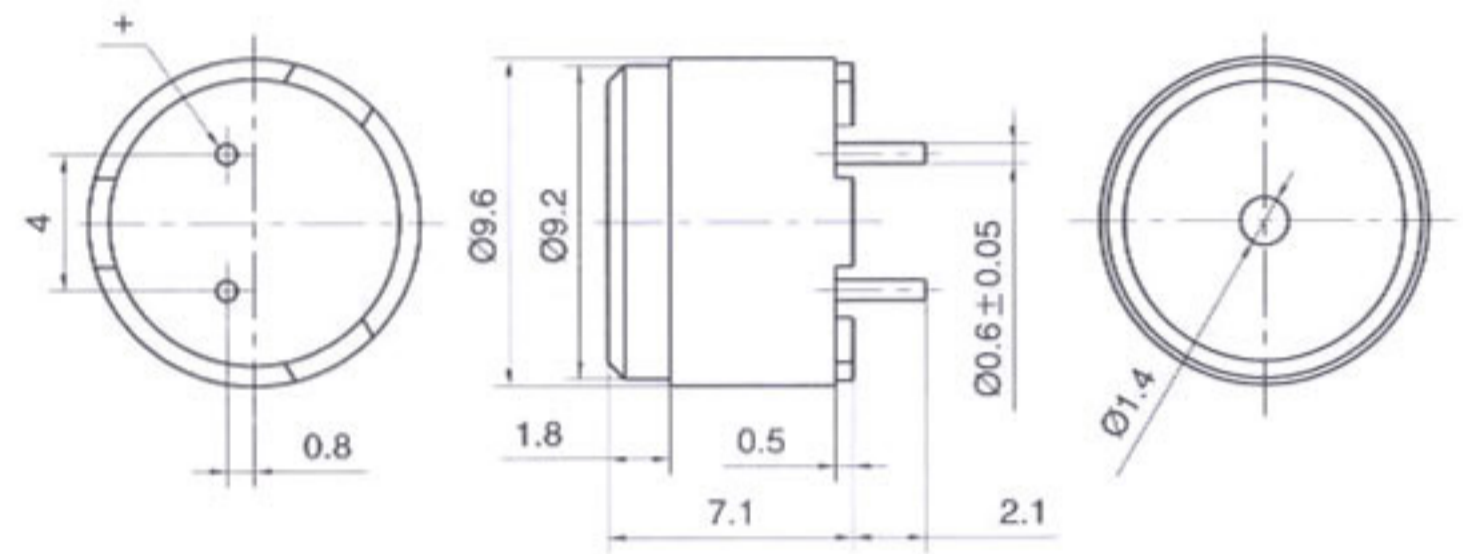
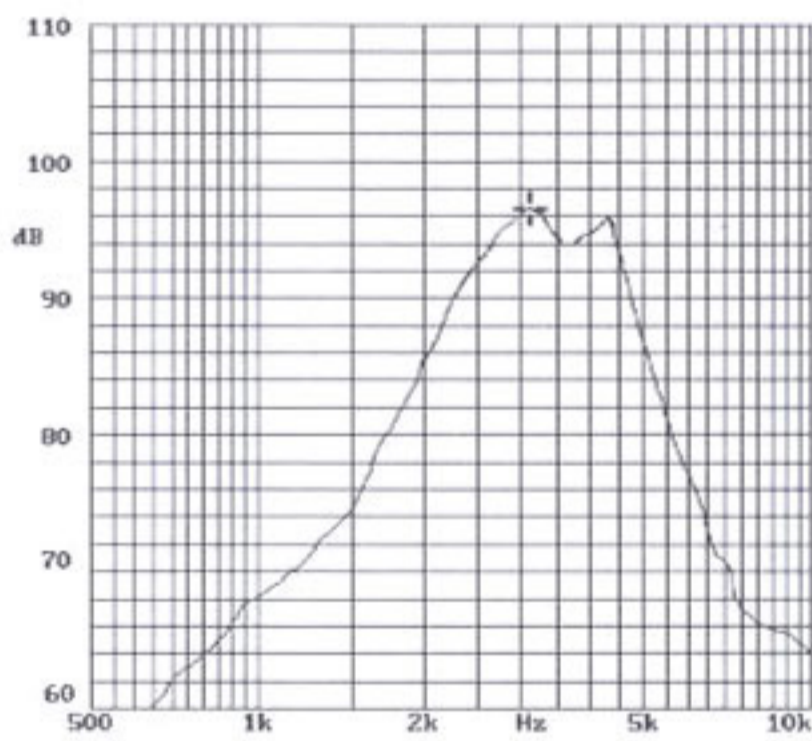
HC26

Rated Voltage (V)	1.5
Operating Voltage (V)	1 ~ 2
Rated Current (mA)	Max. 80
Coil Resistance (Ω)	10 ± 3
Sound Output at 10 cm (dB)	Min. 102
Resonant Frequency (Hz)	2048
Operating Temperature ($^{\circ}\text{C}$)	-20 ~ +60
Storage Temperature ($^{\circ}\text{C}$)	-20 ~ +70
Weight (g)	10



HCM09

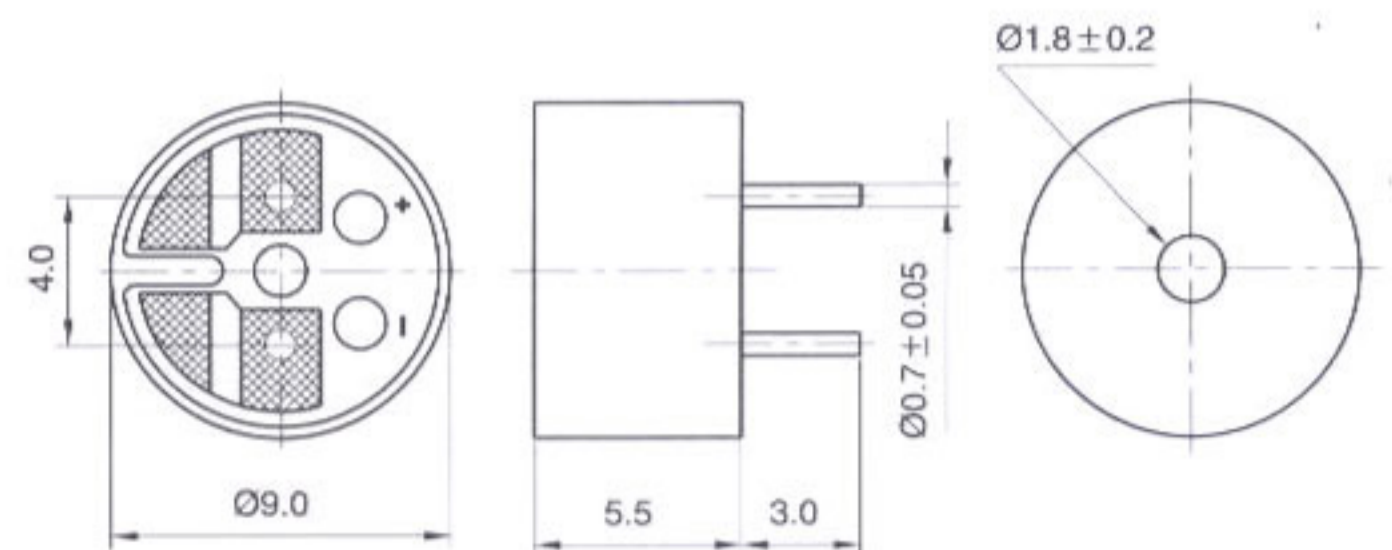
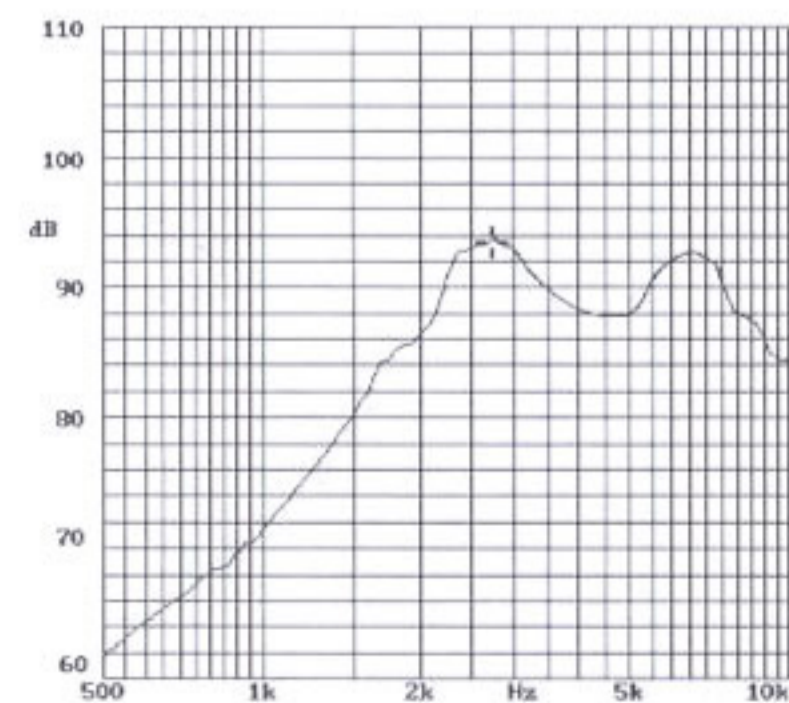
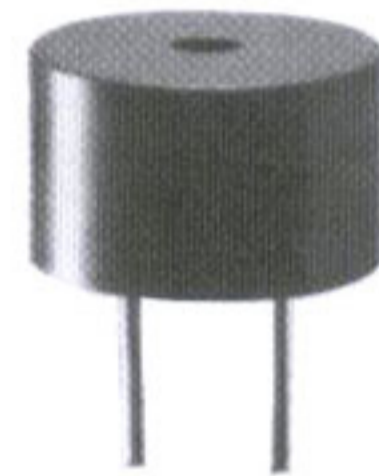
Rated Voltage (V)	1.5
Operating Voltage (V)	1~2
Rated Current (mA)	Max. 80
Coil Resistance (Ω)	5.5 ± 1
Coil Impedance (Ω)	9.5
Sound Output at 10 cm (dB)	Min.80
Resonant Frequency (Hz)	3100
Operating Temperature ($^{\circ}\text{C}$)	-25~ +55
Storage Temperature ($^{\circ}\text{C}$)	-25~ +70
Weight (g)	1



Tolerance: ± 0.2

HCM09B

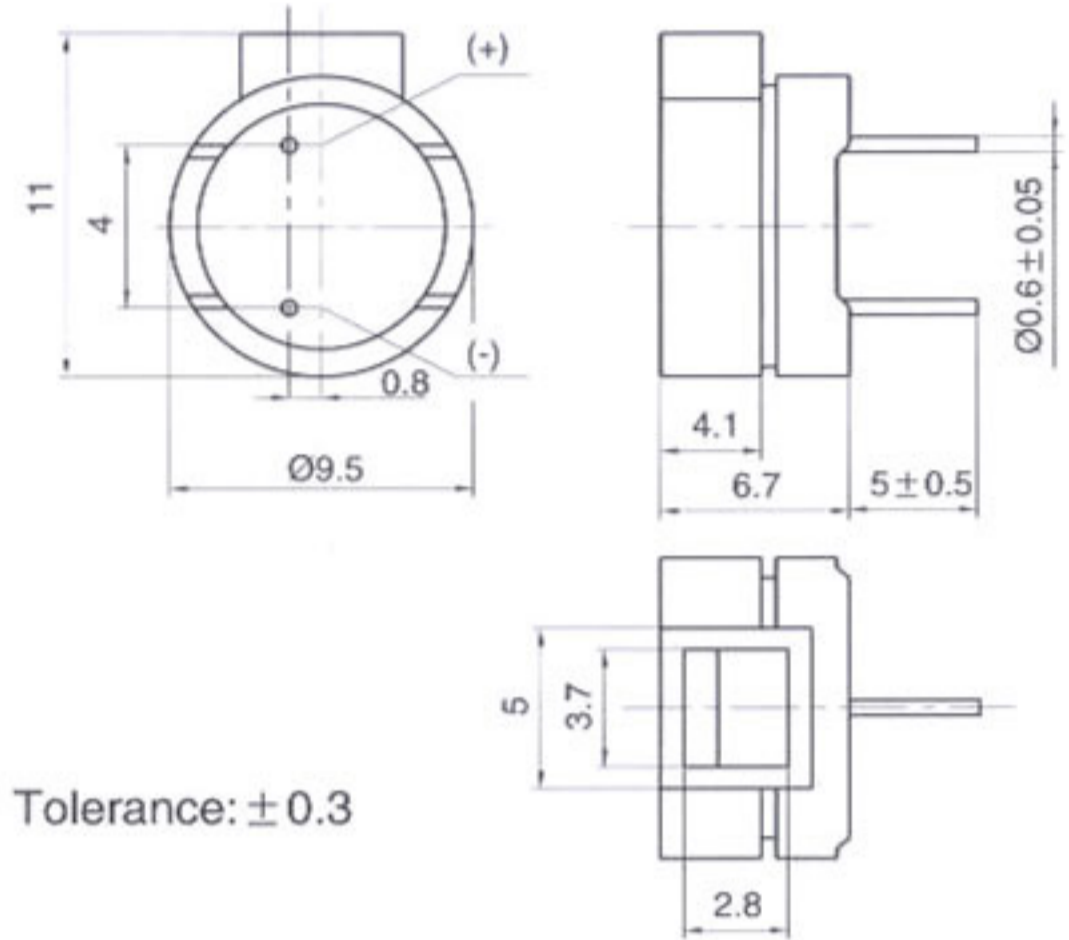
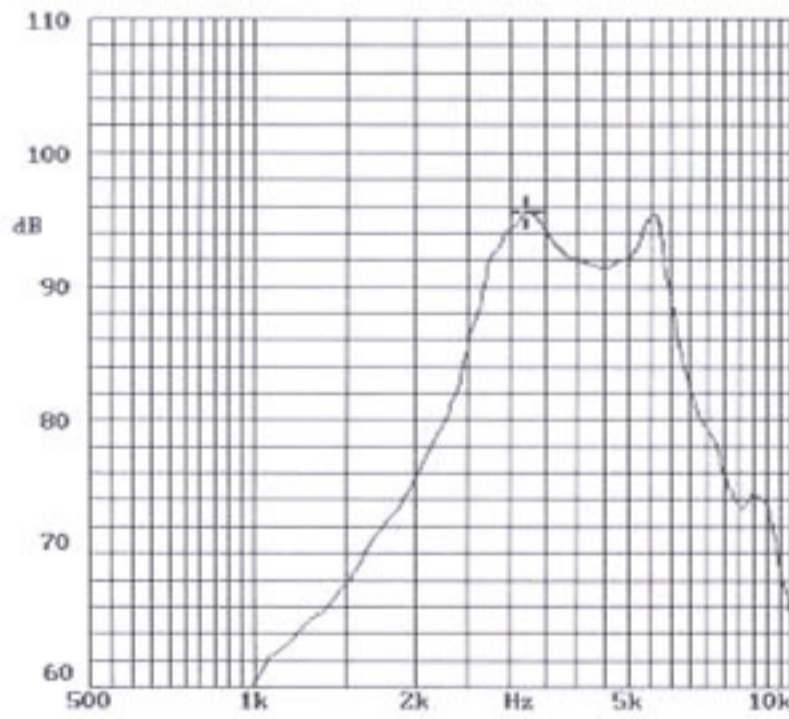
Rated Voltage (V)	3
Operating Voltage (V)	2~6
Rated Current (mA)	Max. 80
Coil Resistance (Ω)	25 ± 4
Coil Impedance (Ω)	45
Sound Output at 10 cm (dB)	Min.85
Resonant Frequency (Hz)	2731
Operating Temperature ($^{\circ}\text{C}$)	-25 ~+70
Storage Temperature ($^{\circ}\text{C}$)	-40 ~+80
Weight (g)	1



Tolerance: ± 0.3

HCM09-04A,B

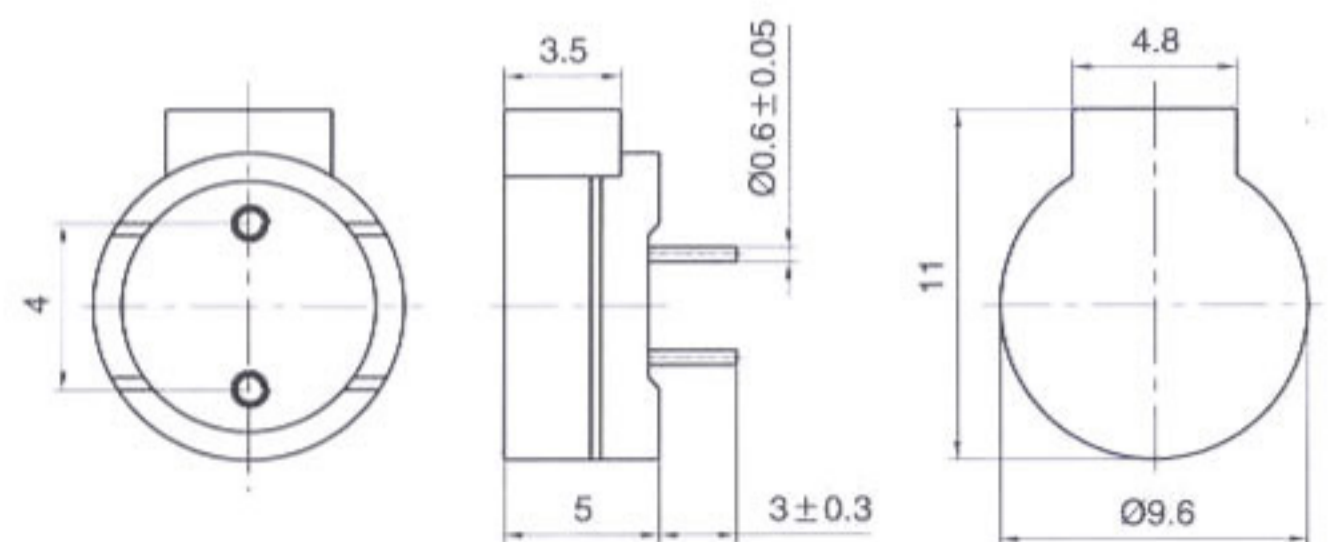
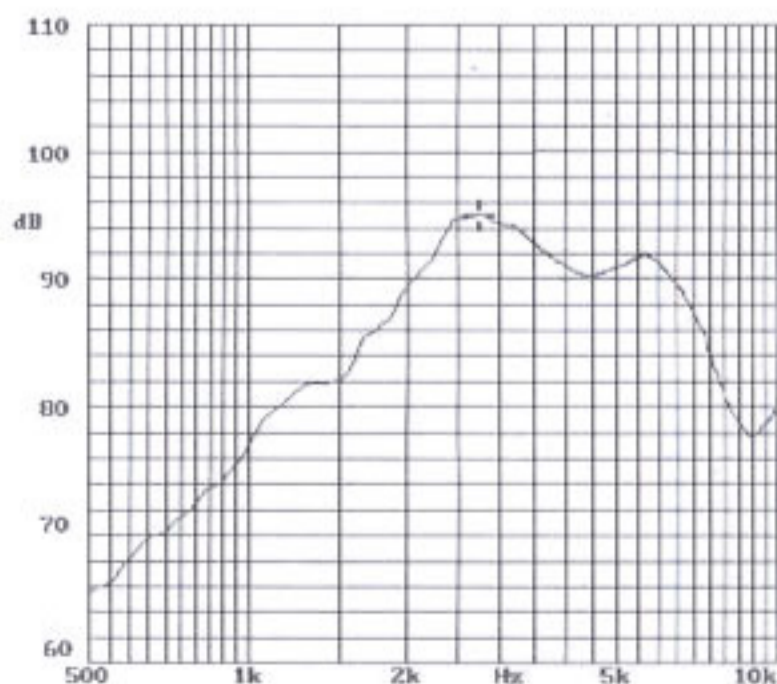
Type	HCM09-04A	HCM09-04B
Rated Voltage (V)	1.5	
Operating Voltage (V)	1~2	
Rated Current (mA)	Max. 80	
Coil Resistance (Ω)	5.5 ± 1	
Coil Impedance (Ω)	9.5 ± 3	
Sound Output at 10 cm (dB)	Min.85	
Resonant Frequency (Hz)	3100	2731
Operating Temperature ($^{\circ}\text{C}$)	-20 ~ +60	
Storage Temperature ($^{\circ}\text{C}$)	-30 ~ +70	
Weight (g)	1	



Tolerance: ± 0.3

HCM09-04E,F

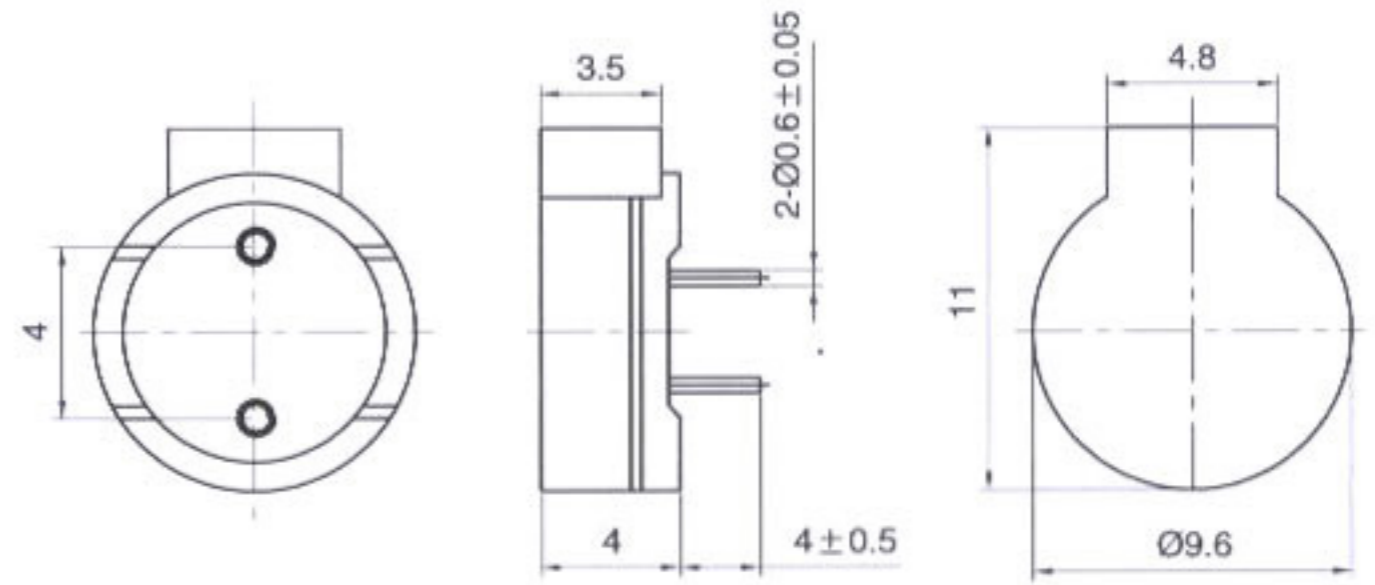
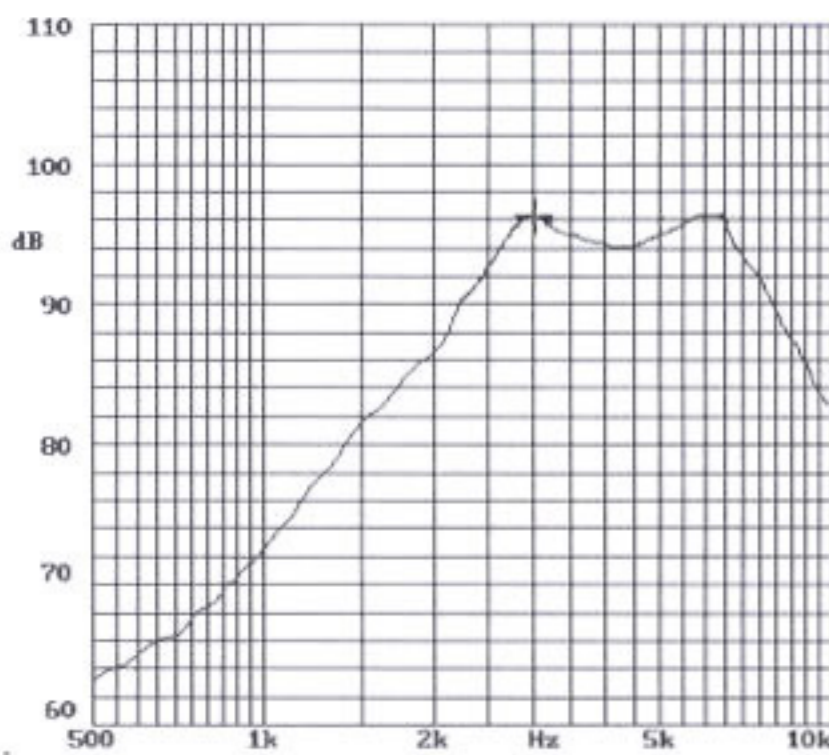
Type	HCM09-04E	HCM09-04F
Rated Voltage (V)	1.5	
Operating Voltage (V)	1~2	
Rated Current (mA)	Max. 80	
Coil Resistance (Ω)	5.5 ± 1	
Coil Impedance (Ω)	9.5 ± 3	
Sound Output at 10 cm (dB)	Min.85	
Resonant Frequency (Hz)	3200	2700
Operating Temperature ($^{\circ}\text{C}$)	-20 ~ +70	
Storage Temperature ($^{\circ}\text{C}$)	-30 ~ +80	
Weight (g)	1	



Tolerance: ± 0.2

HCM09-04J

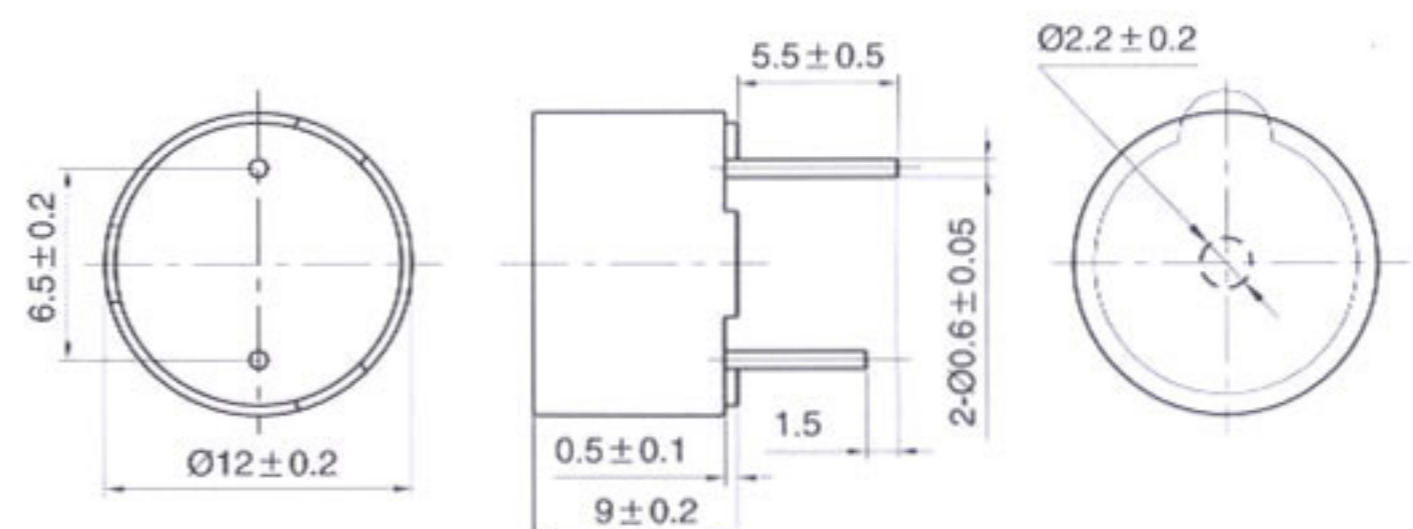
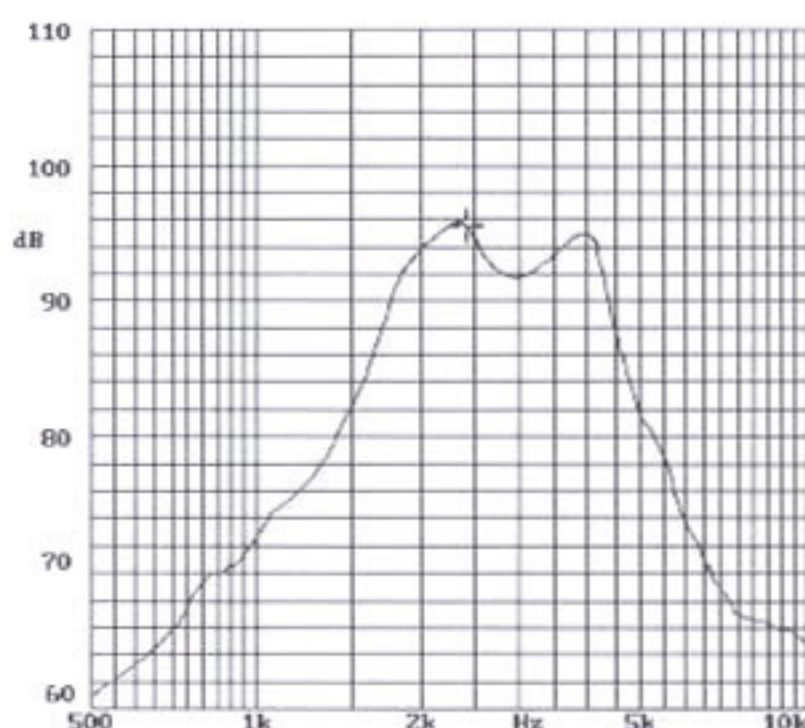
Rated Voltage (V)	1.5
Operating Voltage (V)	1~2
Rated Current (mA)	Max. 80
Coil Resistance (Ω)	5.5 ± 1
Coil Impedance (Ω)	9.5 ± 3
Sound Output at 10 cm (dB)	Min.85
Resonant Frequency (Hz)	3100
Operating Temperature ($^{\circ}\text{C}$)	-20 ~ +70
Storage Temperature ($^{\circ}\text{C}$)	-30 ~ +85
Weight (g)	1



Tolerance: ± 0.2

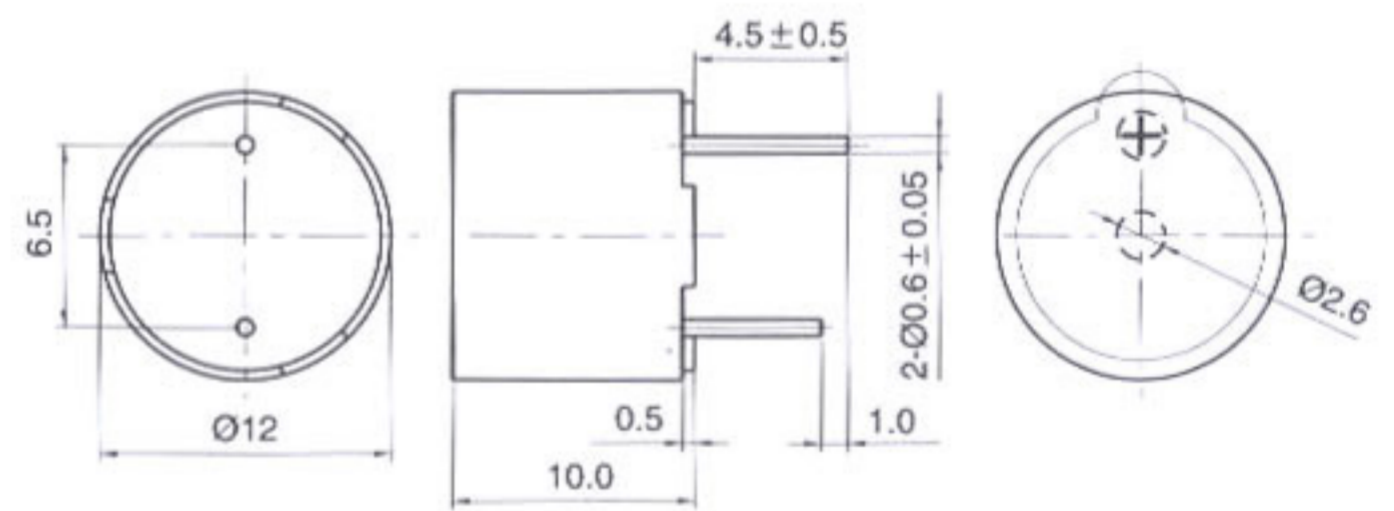
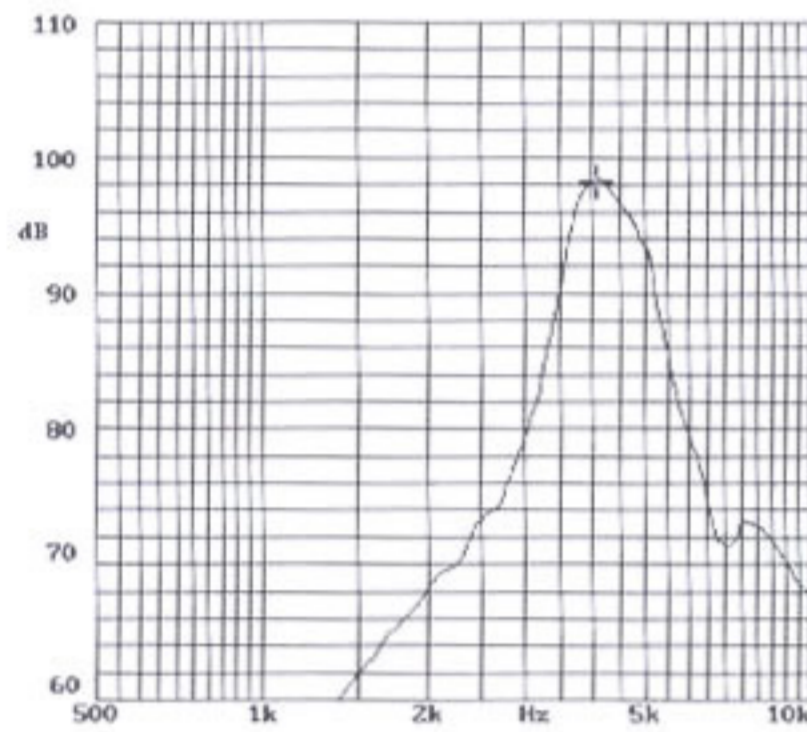
HCM12A SERIES

Type	HCM1201A	HCM1203A	HCM1206A	HCM1212A
Rated Voltage (V)	1.5	3	6	12
Operating Voltage (V)	1~2	2~5	4~8	7~16
Rated Current (mA)	Max. 70	Max. 50	Max. 40	
Coil Resistance (Ω)	6.5 ± 1	27 ± 3	45 ± 5	140 ± 14
Coil Impedance (Ω)	16	70	80	240
Sound Output at 10 cm (dB)	Min.75	Min.85		
Resonant Frequency (Hz)	2400			
Operating Temperature ($^{\circ}\text{C}$)	-30 ~ +80			
Storage Temperature ($^{\circ}\text{C}$)	-30 ~ +80			
Weight (g)	2			



HCM1201B

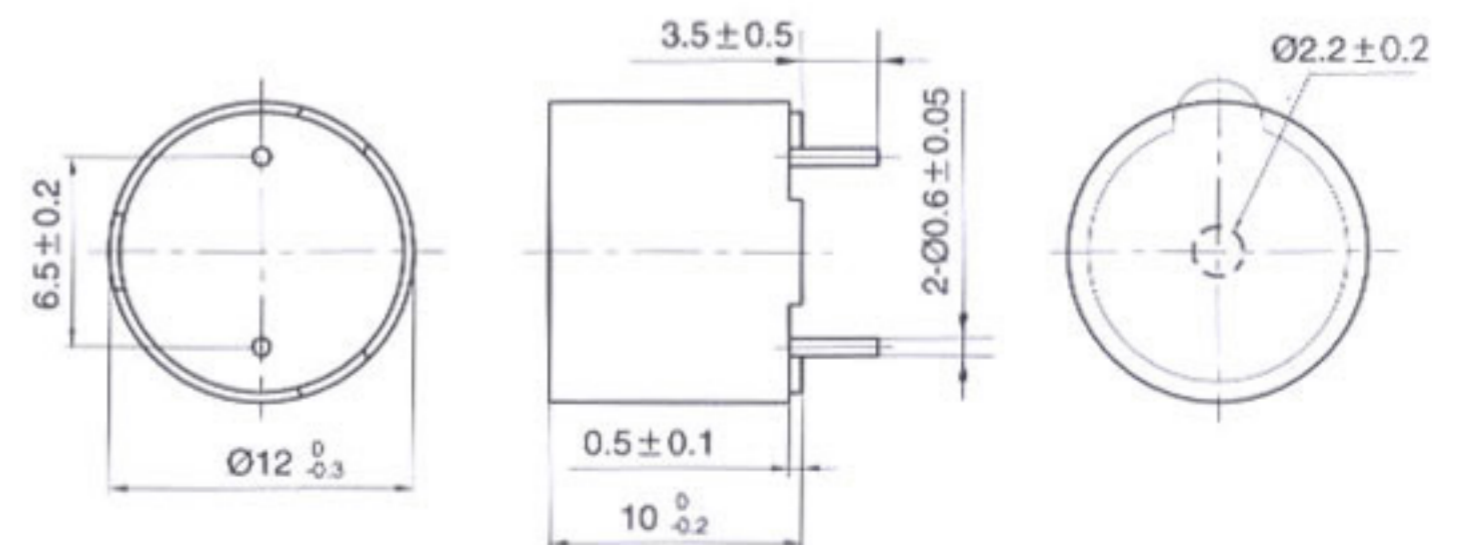
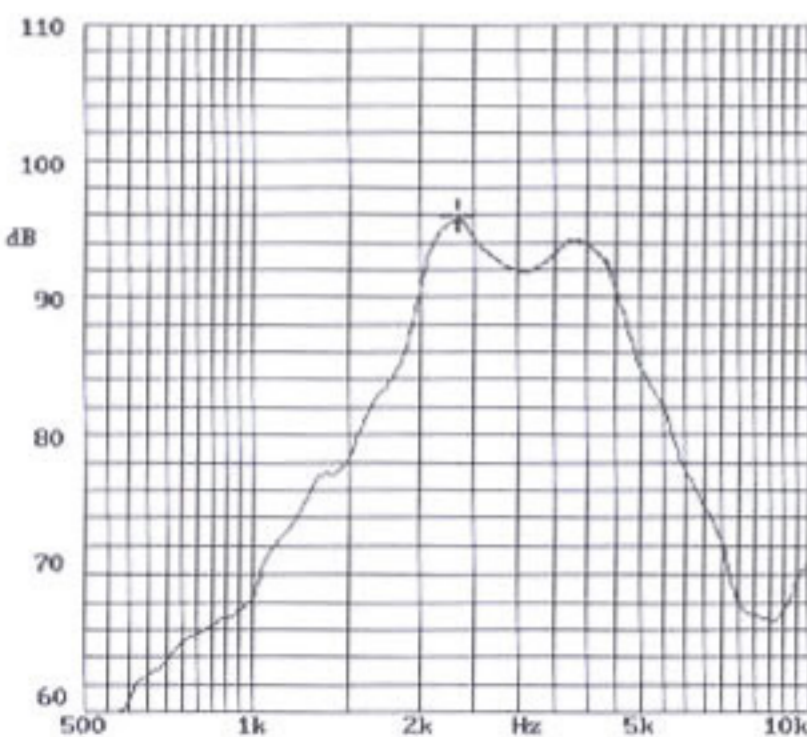
Rated Voltage (V)	1.5
Operating Voltage (V)	1.1~1.7
Rated Current (mA)	Max. 30
Coil Resistance (Ω)	51 ± 7.5
Coil Impedance (Ω)	100
Sound Output at 10 cm (dB)	Min.85
Resonant Frequency (Hz)	4096
Operating Temperature ($^{\circ}\text{C}$)	-25 ~ +70
Storage Temperature ($^{\circ}\text{C}$)	-30 ~ +85
Weight (g)	2



Tolerance: ± 0.2

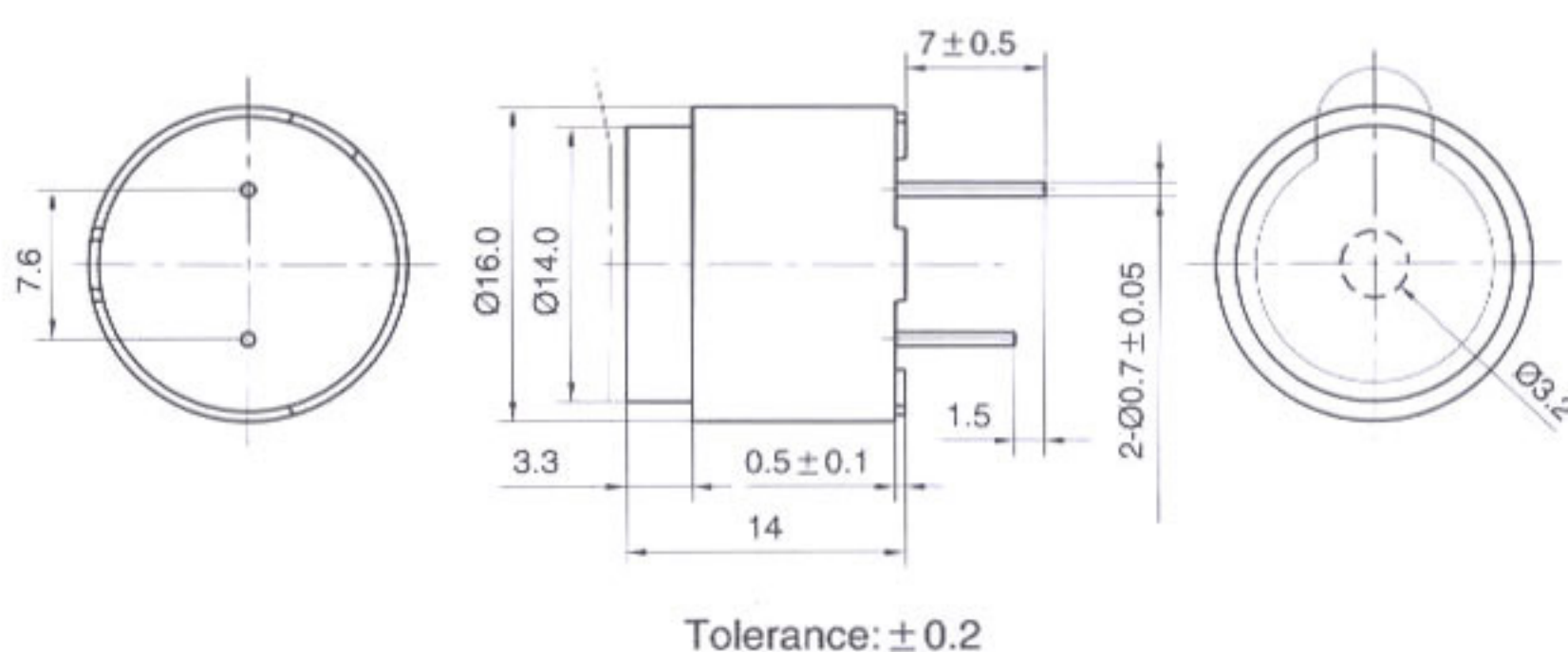
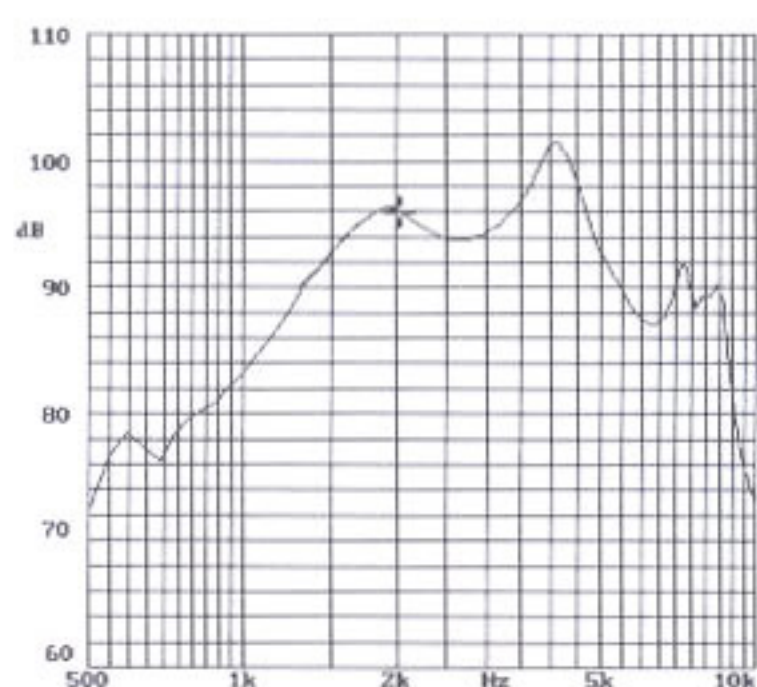
HCM12C SERIES

Type	HCM1201C	HCM1205C	HCM1212C
Rated Voltage (V)	1.5	5	12
Operating Voltage (V)	1~3	3~8	8~16
Rated Current (mA)	Max. 30	Max. 50	
Coil Resistance (Ω)	16 ± 3	40 ± 4	140 ± 14
Coil Impedance (Ω)	45	80	240
Sound Output at 10 cm (dB)	Min.85		
Resonant Frequency (Hz)	2600 ± 200	2400 ± 200	
Operating Temperature ($^{\circ}\text{C}$)	-30 ~ +70		
Storage Temperature ($^{\circ}\text{C}$)	-30 ~ +85		
Weight (g)	2		



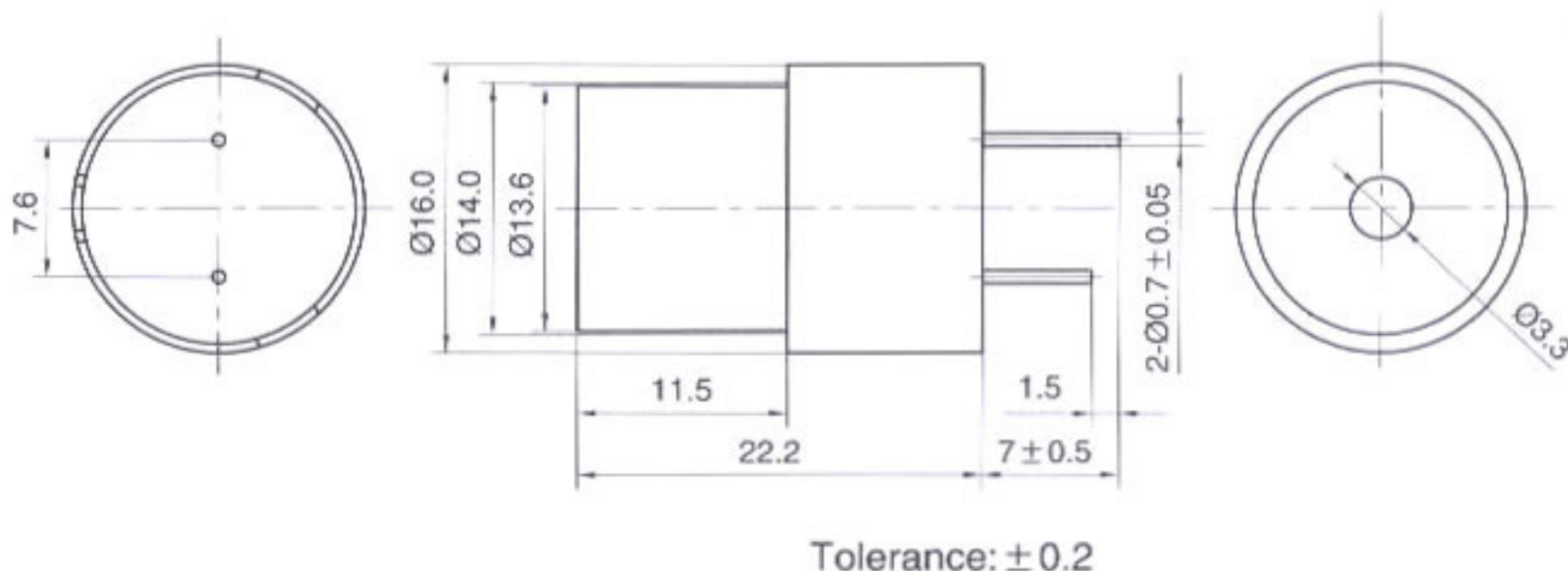
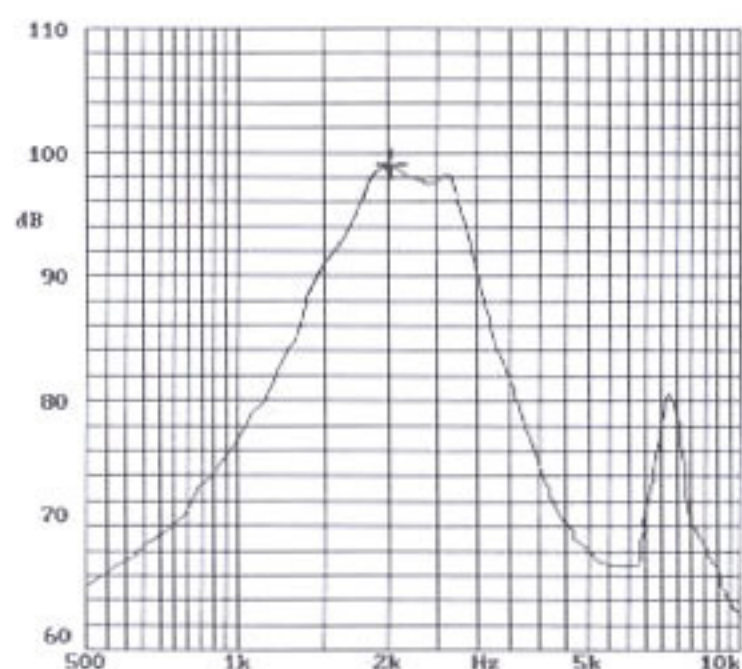
HCM16-A SERIES

Type	HCM1601A	HCM1606A	HCM1612A
Rated Voltage (V)	1.5	6	12
Operating Voltage (V)	1~2	4~8	9~15
Rated Current (mA)	Max. 12	Max. 40	
Coil Resistance (Ω)	27 ± 3	50 ± 5	115 ± 12
Coil Impedance (Ω)	80	110	200
Sound Output at 10 cm (dB)	Min.80	Min.85	
Resonant Frequency (Hz)	2048		
Operating Temperature ($^{\circ}\text{C}$)	-40 ~ +85		
Storage Temperature ($^{\circ}\text{C}$)	-40 ~ +85		
Weight (g)	7		



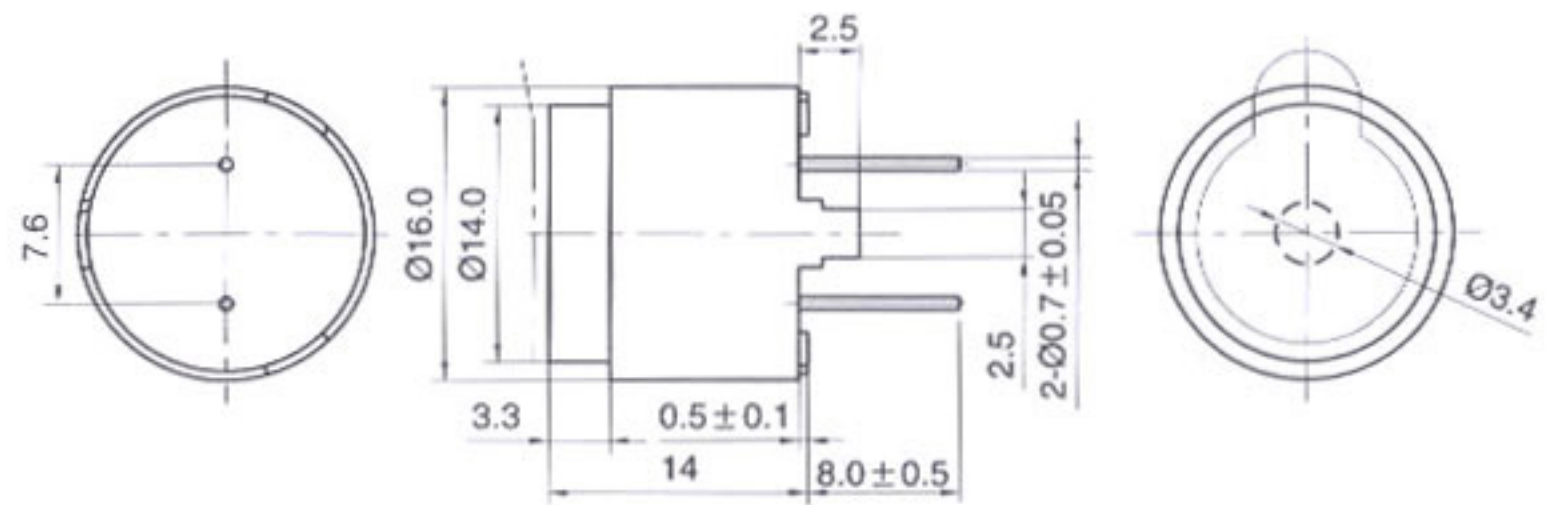
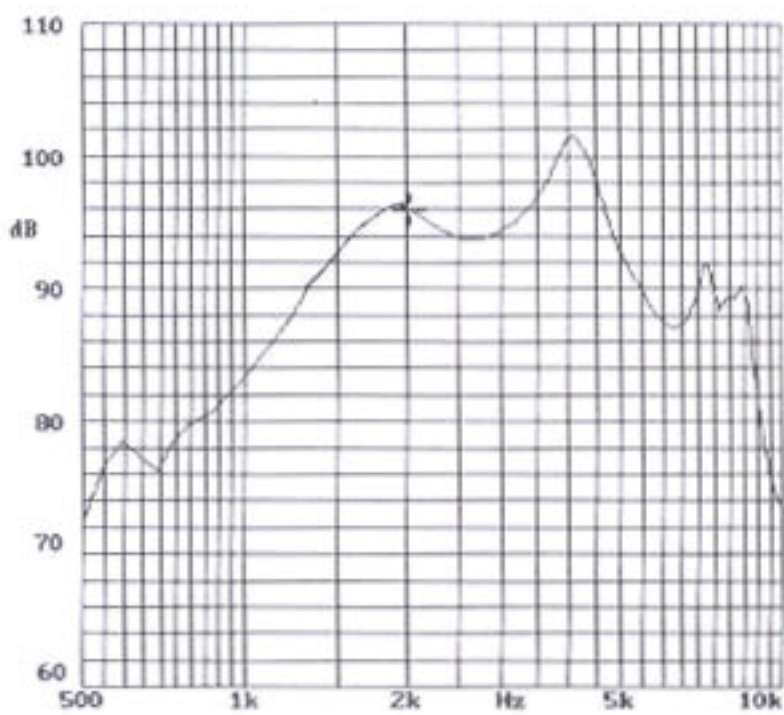
HCM16-B SERIES

Type	HCM1601B	HCM1606B	HCM1612B
Rated Voltage (V)	1.5	6	12
Operating Voltage (V)	1~2	3~12	6~18
Rated Current (mA)	Max. 12	Max. 40	
Coil Resistance (Ω)	27 ± 3	50 ± 5	115 ± 12
Coil Impedance (Ω)	80	110	200
Sound Output at 10 cm (dB)	Min.80	Min.85	
Resonant Frequency (Hz)	2048	1850~2500(Min.80dB)	
Operating Temperature ($^{\circ}\text{C}$)	-40 ~ +85		
Storage Temperature ($^{\circ}\text{C}$)	-40 ~ +85		
Weight (g)	7		



HCM16C SERIES

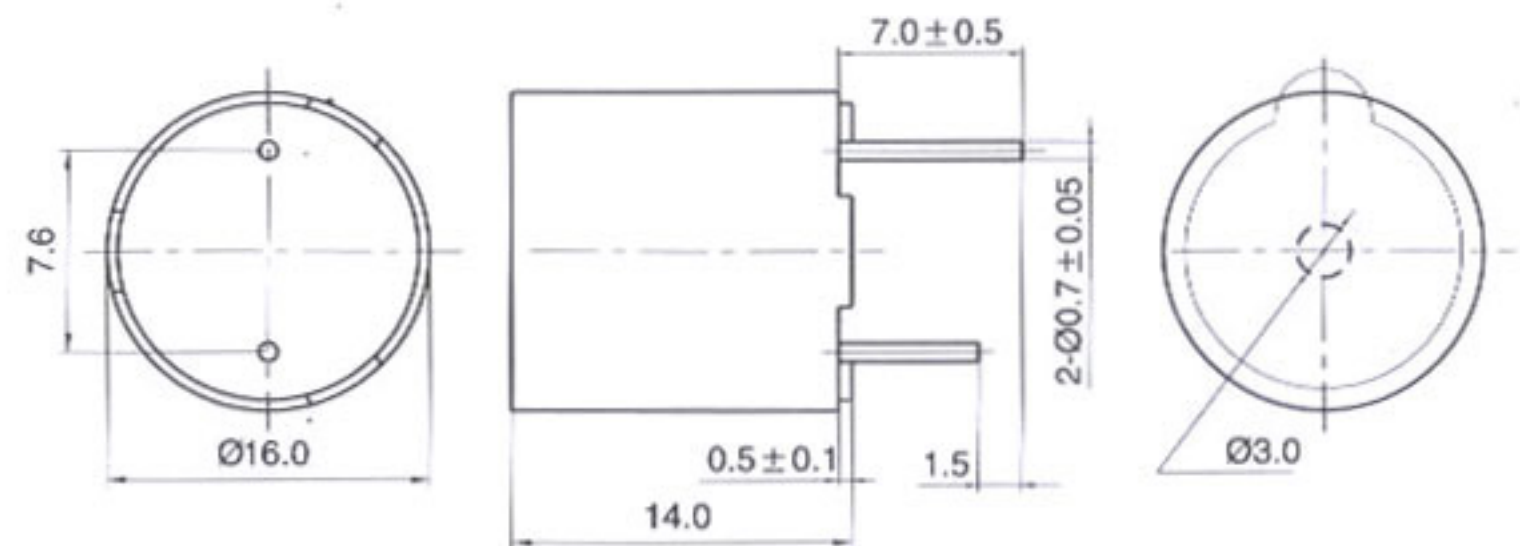
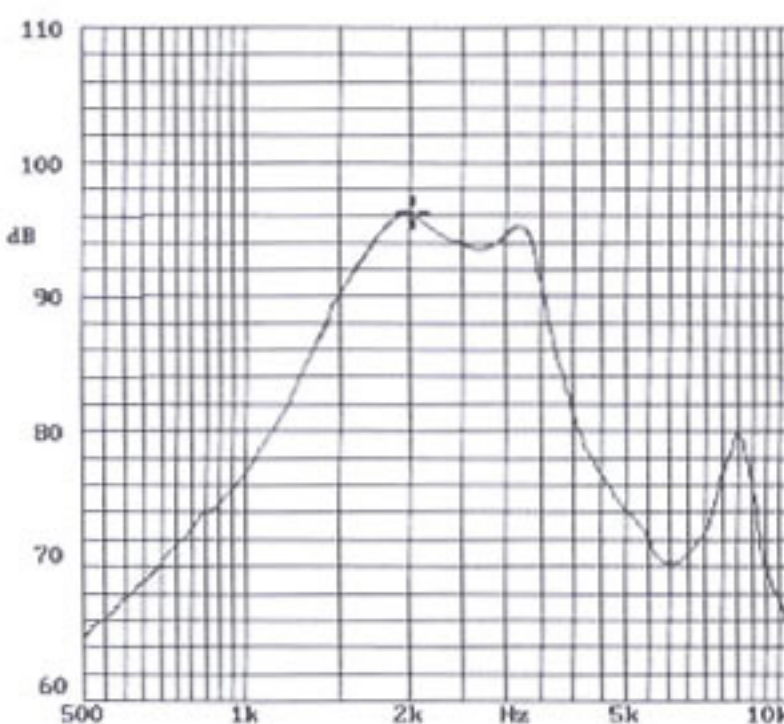
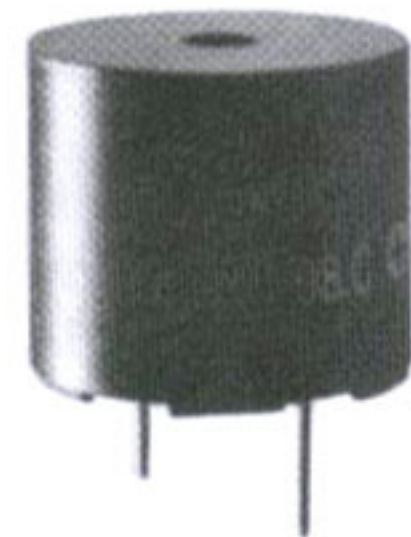
Type	HCM1601C	HCM1606C	HCM1612C
Rated Voltage (V)	1.5	6	12
Operating Voltage (V)	1~2	4~8	6~18
Rated Current (mA)	Max. 12	Max. 40	
Coil Resistance (Ω)	27 ± 3	50 ± 5	115 ± 12
Coil Impedance (Ω)	80	110	200
Sound Output at 10 cm (dB)	Min.80	Min.85	
Resonant Frequency (Hz)	2048		
Operating Temperature ($^{\circ}\text{C}$)	-25 ~+70		
Storage Temperature ($^{\circ}\text{C}$)	-30 ~+85		
Weight (g)	7		



Tolerance: ± 0.3

HCM16D SERIES

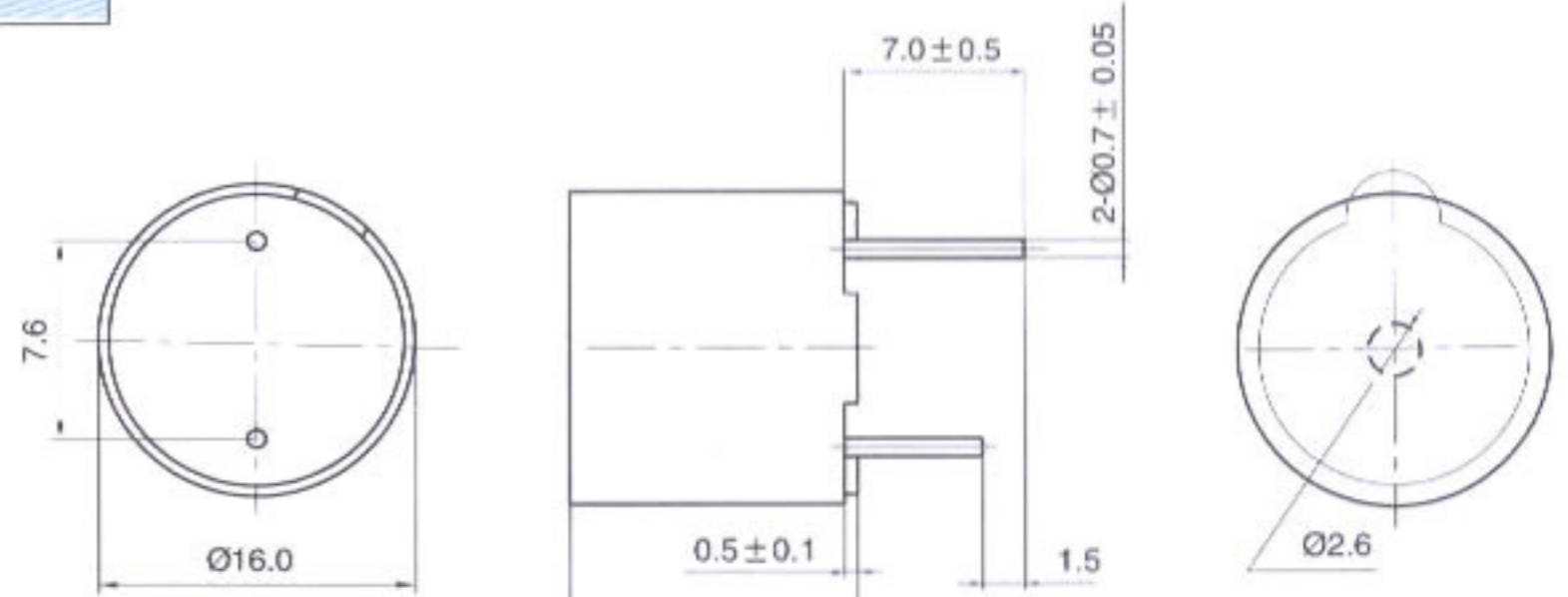
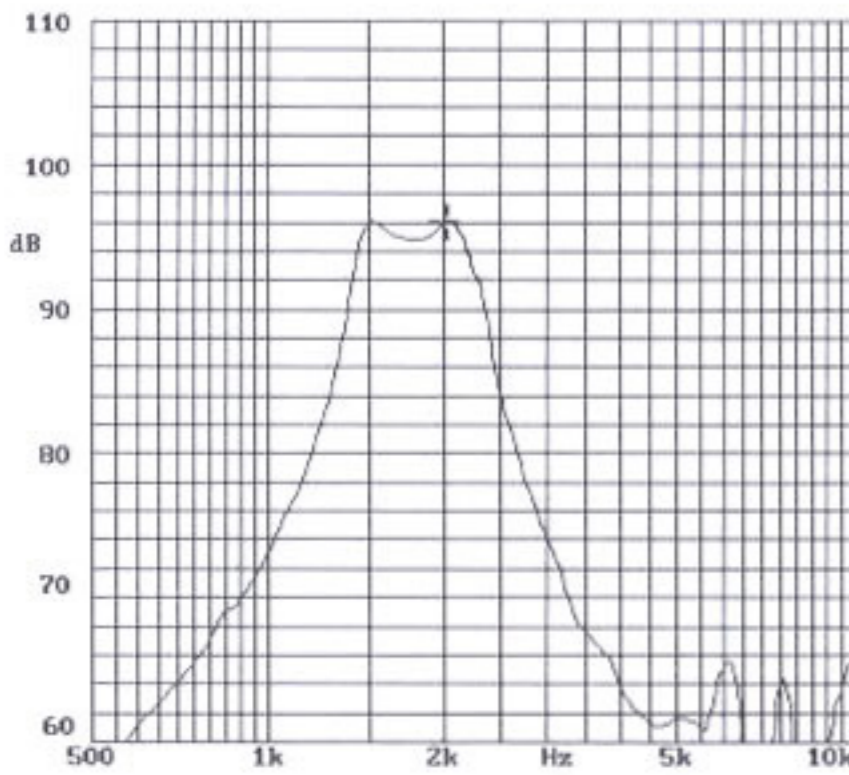
Type	HCM1606D	HCM1612D
Rated Voltage (V)	6	12
Operating Voltage (V)	3~12	6~18
Rated Current (mA)	Max. 40	
Coil Resistance (Ω)	45 ± 7	115 ± 17
Coil Impedance (Ω)	110	200
Sound Output at 10 cm (dB)	Min.85	
Resonant Frequency (Hz)	2000 ~3000 (Min.85dB)	
Operating Temperature ($^{\circ}\text{C}$)	-40 ~+85	
Storage Temperature ($^{\circ}\text{C}$)	-40 ~+85	
Weight (g)	7	



Tolerance: ± 0.3

HCM1612G

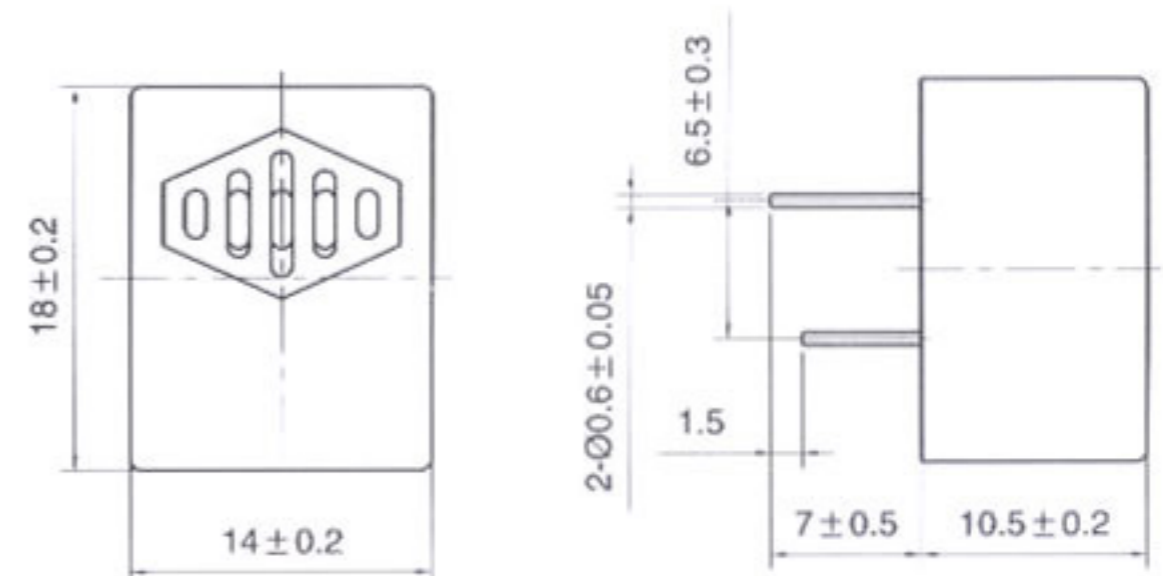
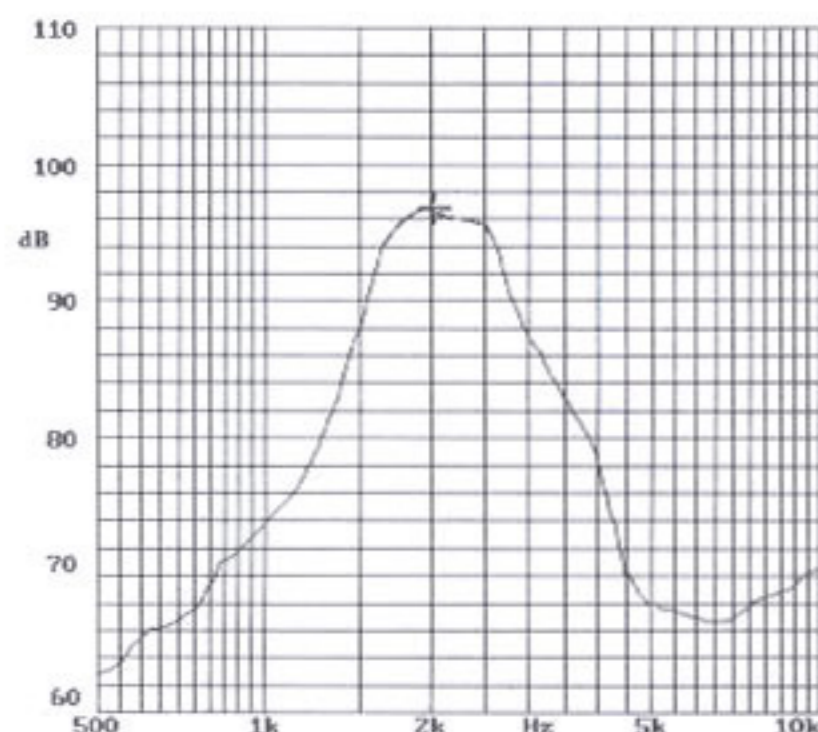
Rated Voltage (V)	12
Operating Voltage (V)	6 ~ 18
Rated Current (mA)	Max. 50
Coil Resistance (Ω)	135 ± 20
Coil Impedance (Ω)	210
Sound Output at 10 cm (dB)	Min.85
Resonant Frequency (Hz)	1700 ~ 2200
Operating Temperature ($^{\circ}\text{C}$)	-40 ~ +90
Storage Temperature ($^{\circ}\text{C}$)	-40 ~ +95
Weight (g)	4



Tolerance: ± 0.3

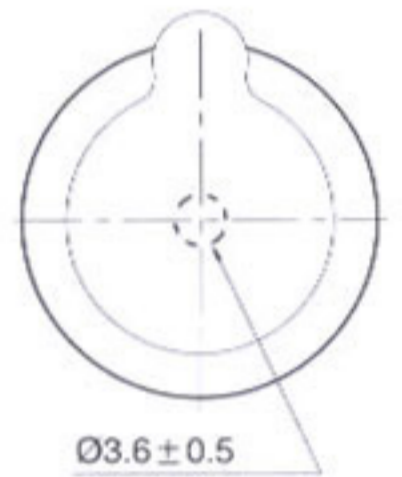
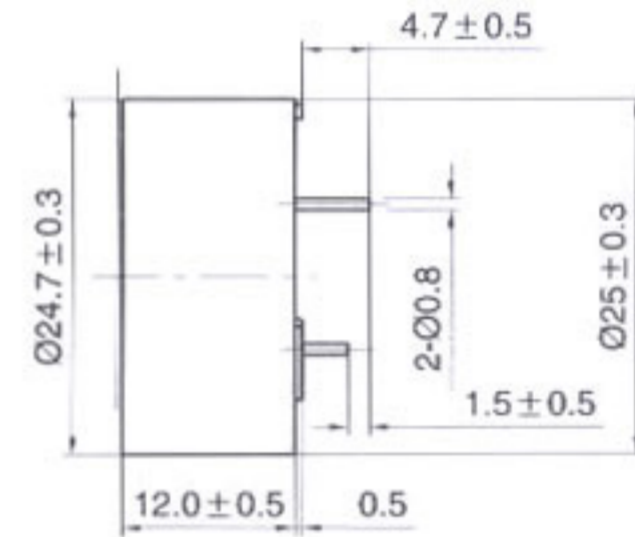
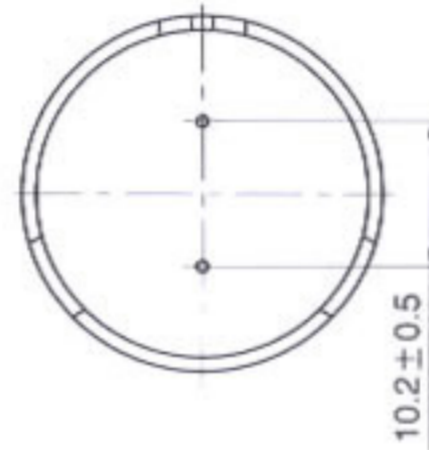
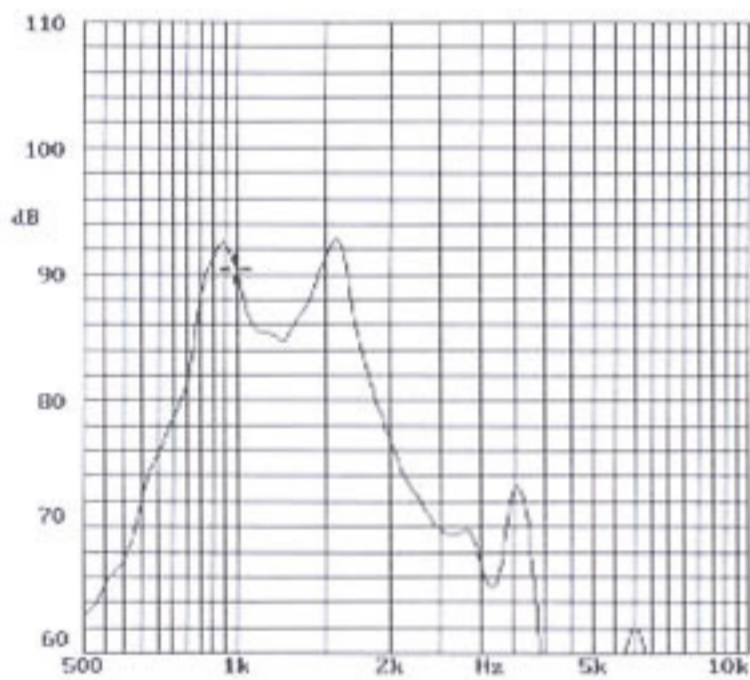
HCM18 SERIES

Type	HCM1801	HCM1806	HCM1812
Rated Voltage (V)	1.5	6	12
Operating Voltage (V)	1 ~ 2	3 ~ 10	6 ~ 15
Rated Current (mA)	Max. 40		
Coil Resistance (Ω)	14 ± 3	60 ± 9	120 ± 18
Coil Impedance (Ω)	22	90	170
Sound Output at 10 cm (dB)	Min.80	Min.85	
Resonant Frequency (Hz)	2000 ~ 2500 (Min.80dB)		
Operating Temperature ($^{\circ}\text{C}$)	-40 ~ +85		
Storage Temperature ($^{\circ}\text{C}$)	-40 ~ +85		
Weight (g)	4		



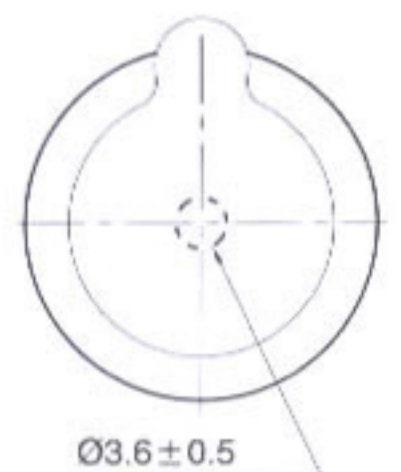
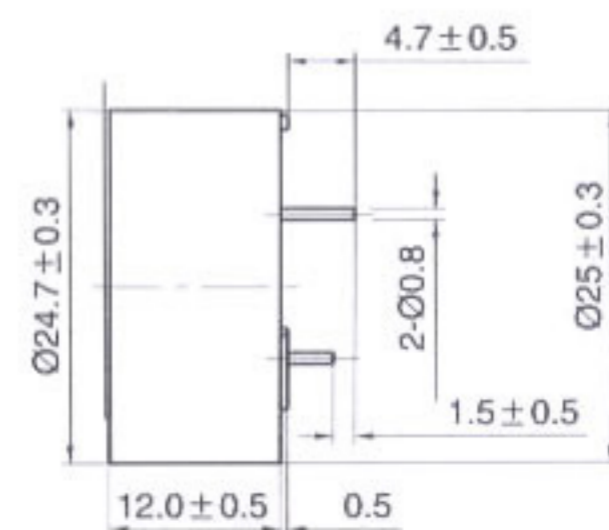
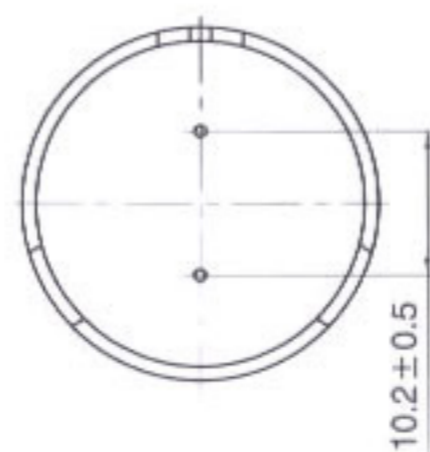
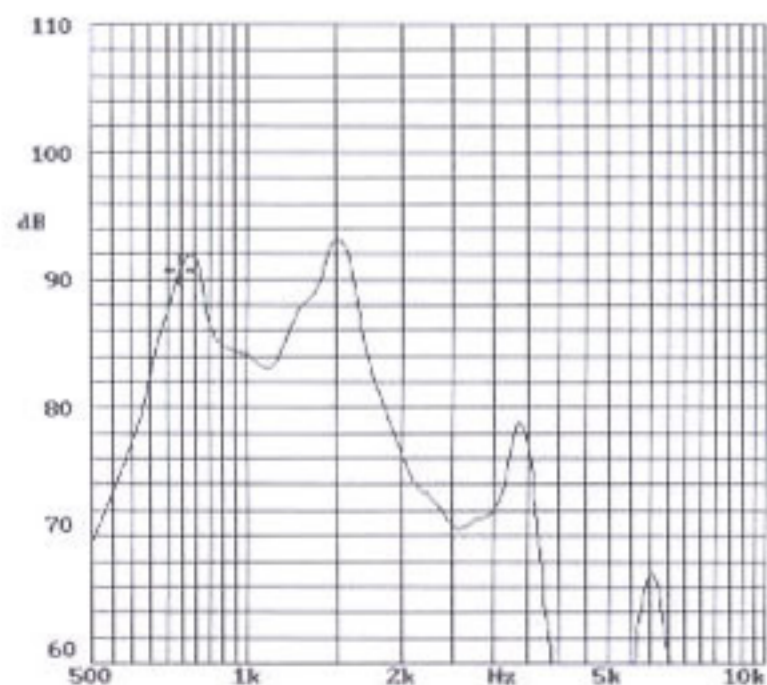
HCM25-A,-B

Type	HCM2506A	HCM2506B	HCM2512B
Rated Voltage (V)	6	6	12
Operating Voltage (V)	3~7	3~7	8~14
Rated Current (mA)	≤80	≤70	≤55
Coil Resistance (Ω)	27±4	36±5	120±12
Coil Impedance (Ω)	38	48	155
Sound Output at 10cm (dB)	≥85		
Resonant Frequency (Hz)	730	1000~1500 (Min.80dB)	
Operating Temperature (°C)	-40~+85		
Storage Temperature (°C)	-40~+85		
Weight (g)	10		



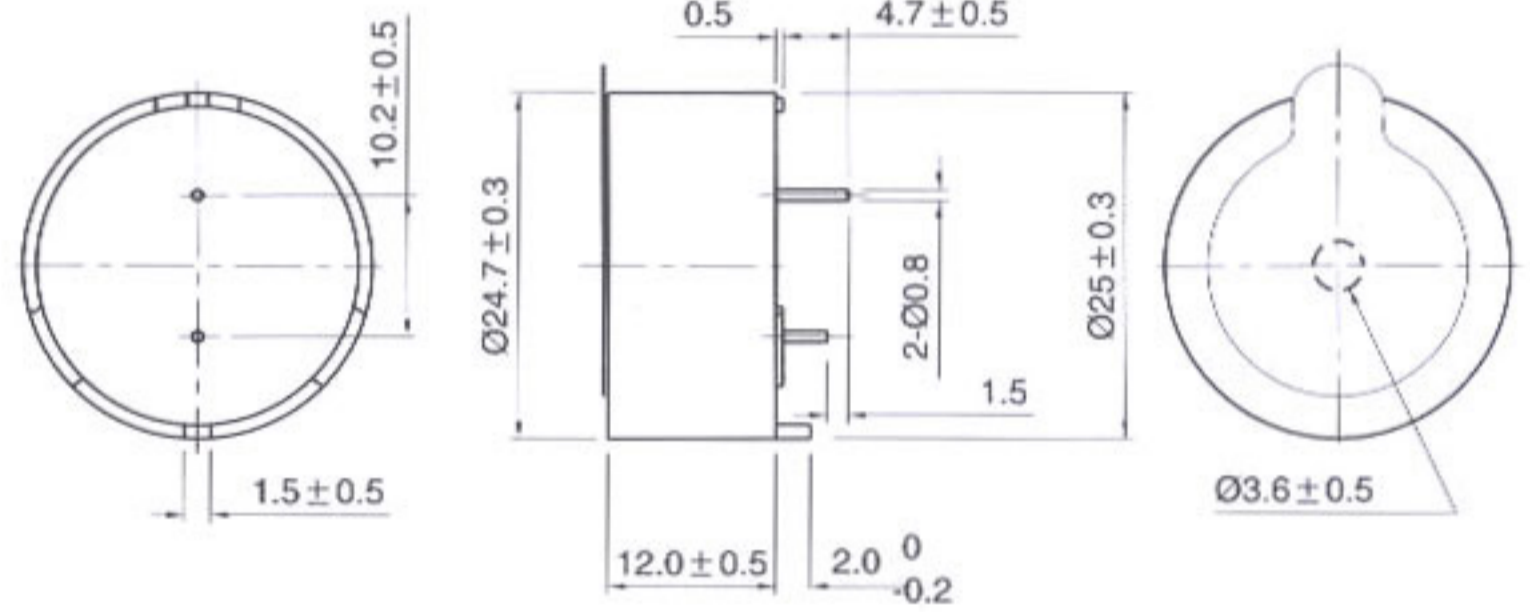
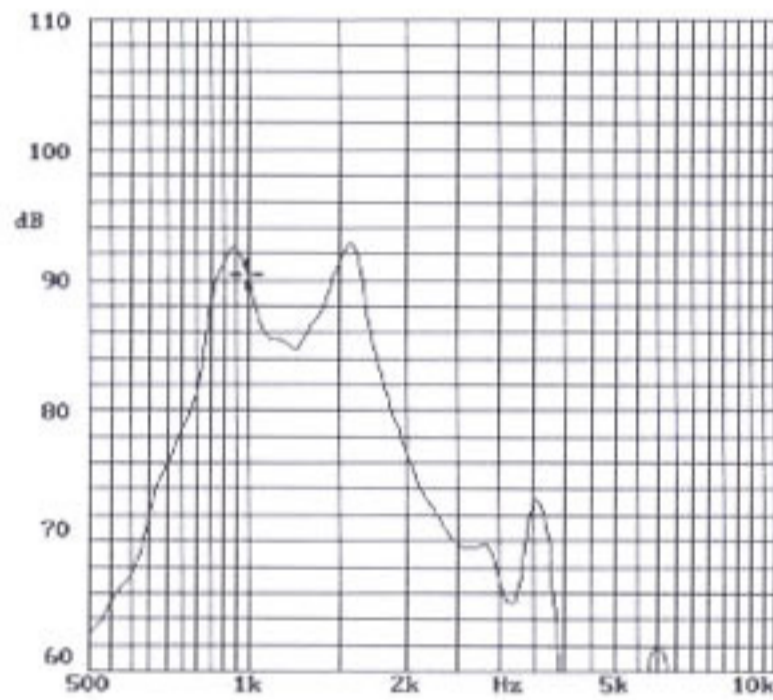
HCM2512C

Type	HCM2512C
Rated Voltage (V)	12
Operating Voltage (V)	8~16
Rated Current (mA)	≤55
Coil Resistance (Ω)	120±16
Coil Impedance (Ω)	155±20%
Sound Output at 10cm (dB)	≥85
Resonant Frequency (Hz)	740
Operating Temperature (°C)	-40~+85
Storage Temperature (°C)	-40~+85
Weight (g)	10



HCM25-AN,-BN

Type	HCM2506AN	HCM2506BN	HCM2512BN
Rated Voltage (V)	6	6	12
Operating Voltage (V)	3~7	3~7	8~14
Rated Current (mA)	≤80	≤70	≤55
Coil Resistance (Ω)	27±4	36±5	120±12
Coil Impedance (Ω)	38	48	155
Sound Output at 10cm (dB)	≥85		
Resonant Frequency (Hz)	730	1000~1500 (Min.80dB)	
Operating Temperature (°C)	-40~+85		
Storage Temperature (°C)	-40~+85		
Weight (g)	10		



HCM2512CN

Type	HCM2512CN
Rated Voltage (V)	12
Operating Voltage (V)	8~16
Rated Current (mA)	≤55
Coil Resistance (Ω)	120±16
Coil Impedance (Ω)	155±20%
Sound Output at 10cm (dB)	≥85
Resonant Frequency (Hz)	740
Operating Temperature (°C)	-40~+85
Storage Temperature (°C)	-40~+85
Weight (g)	10

