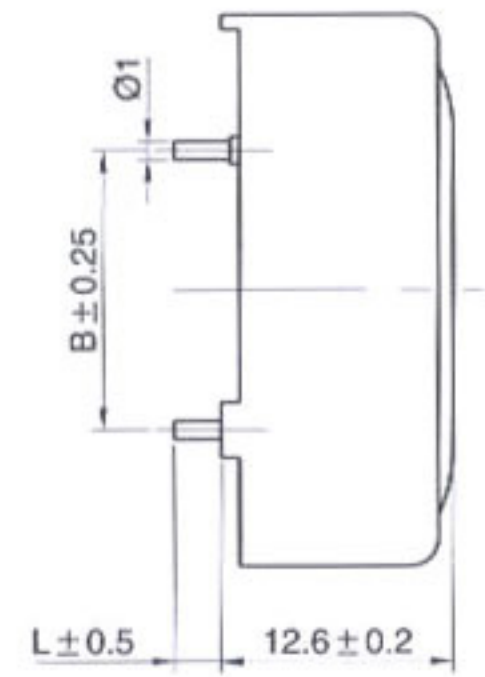
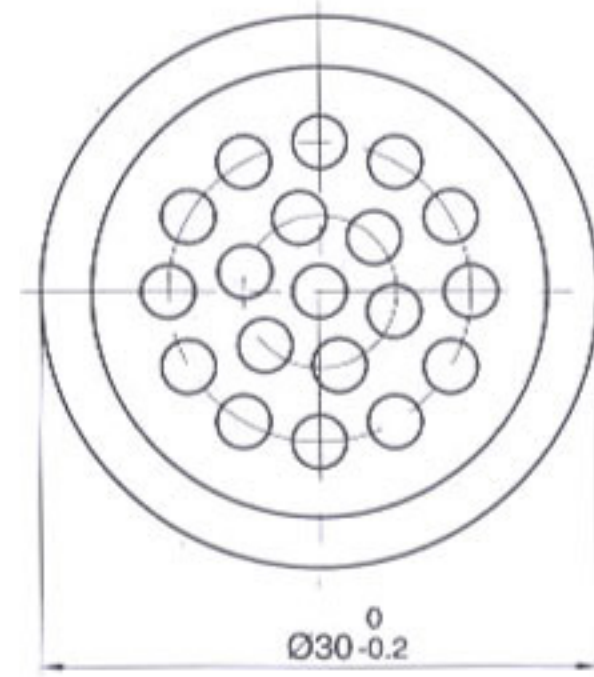
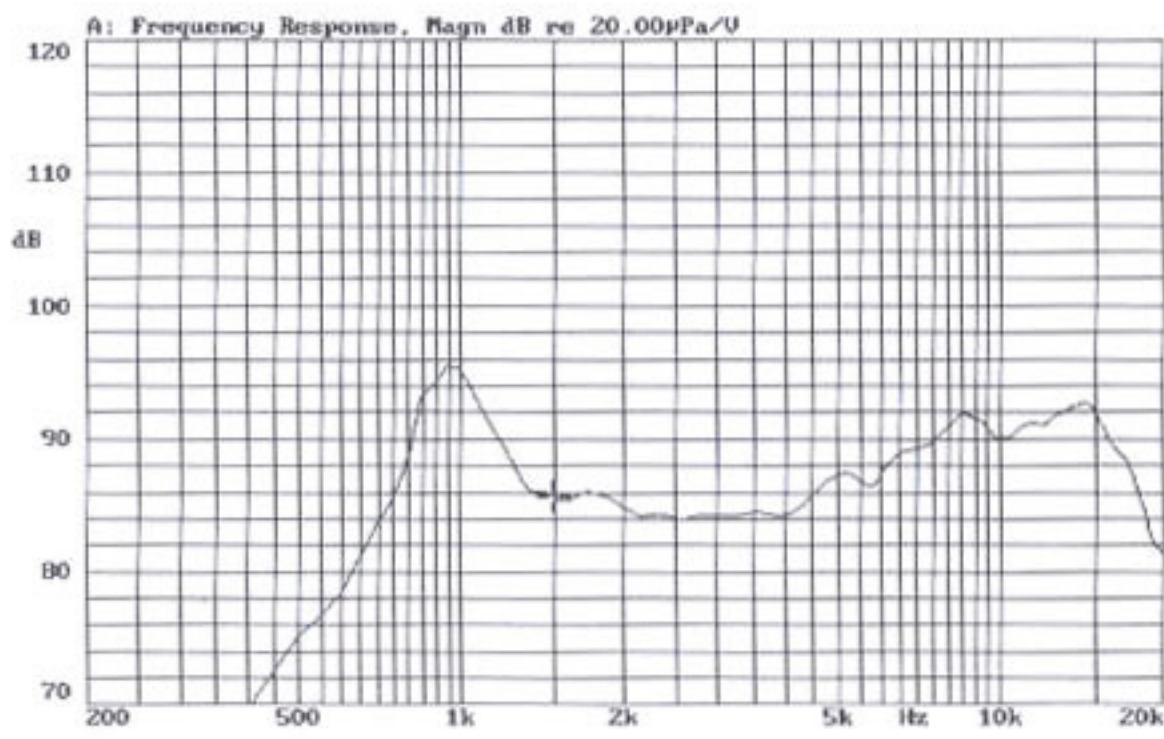


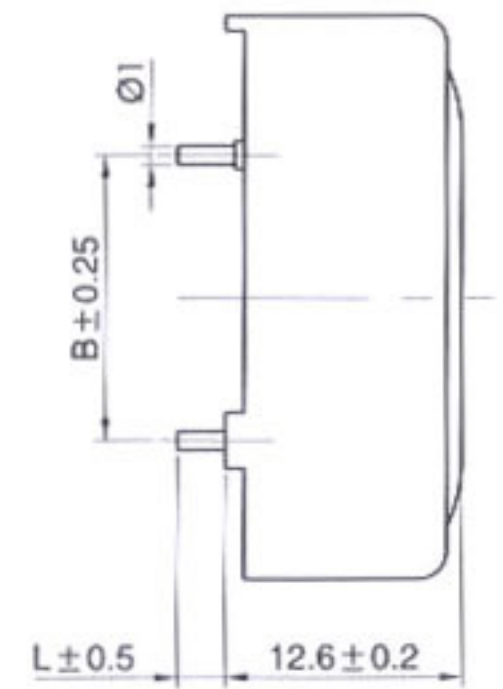
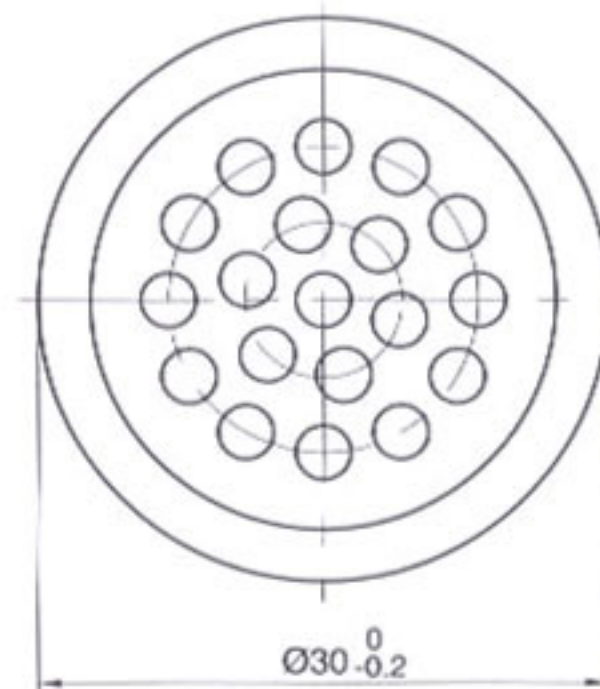
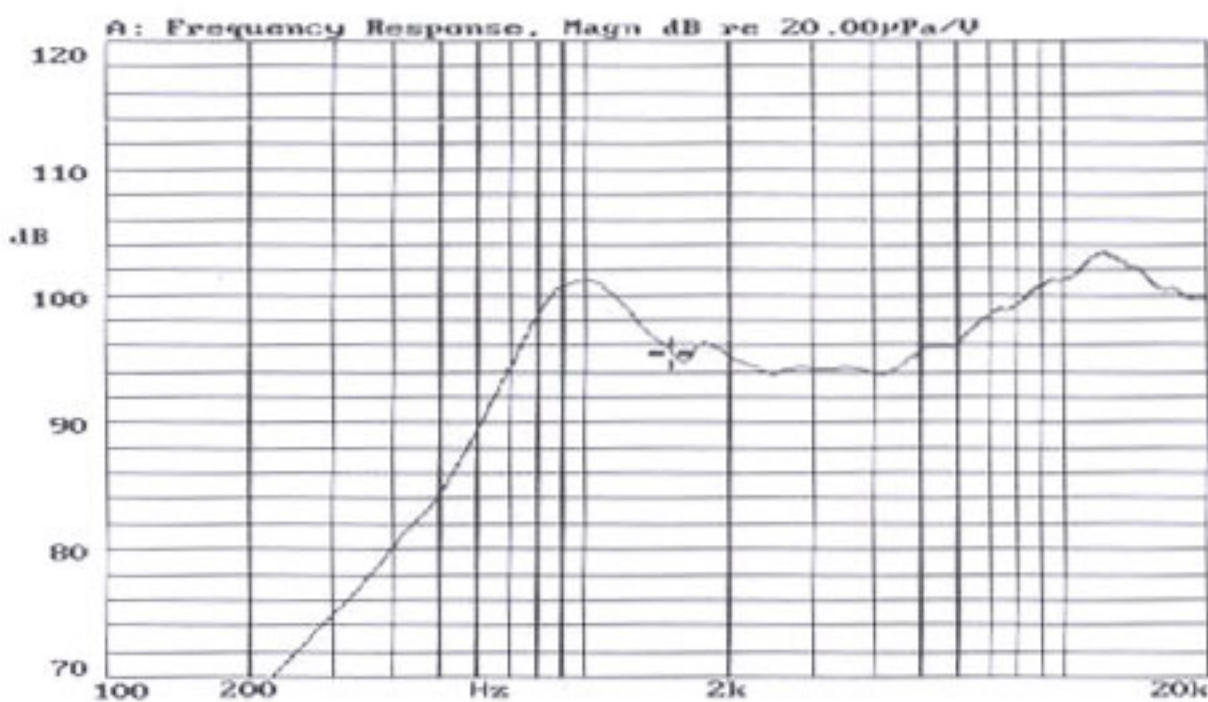
XD41

Rated Impedance (Ω)	$8 \pm 15\%$
Rated (Max.) Power (W)	0.15 (0.2)
Resonance Frequency (Hz)	$1000 \pm 20\%$
Rated Freq. Range (Hz)	700~5000
Sound Output at 10cm, 1.5kHz (dB)	≥ 81
Weight (g)	10
Operating Temperature ($^{\circ}\text{C}$)	-20 ~ +60



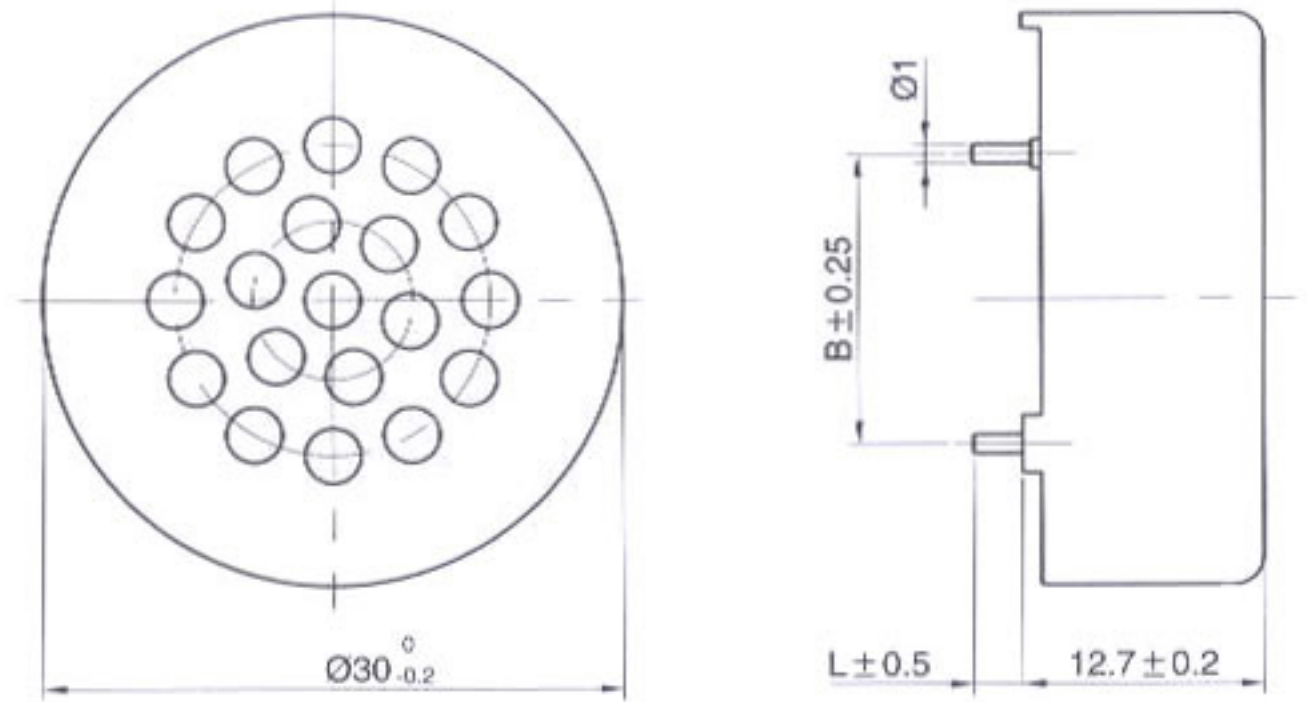
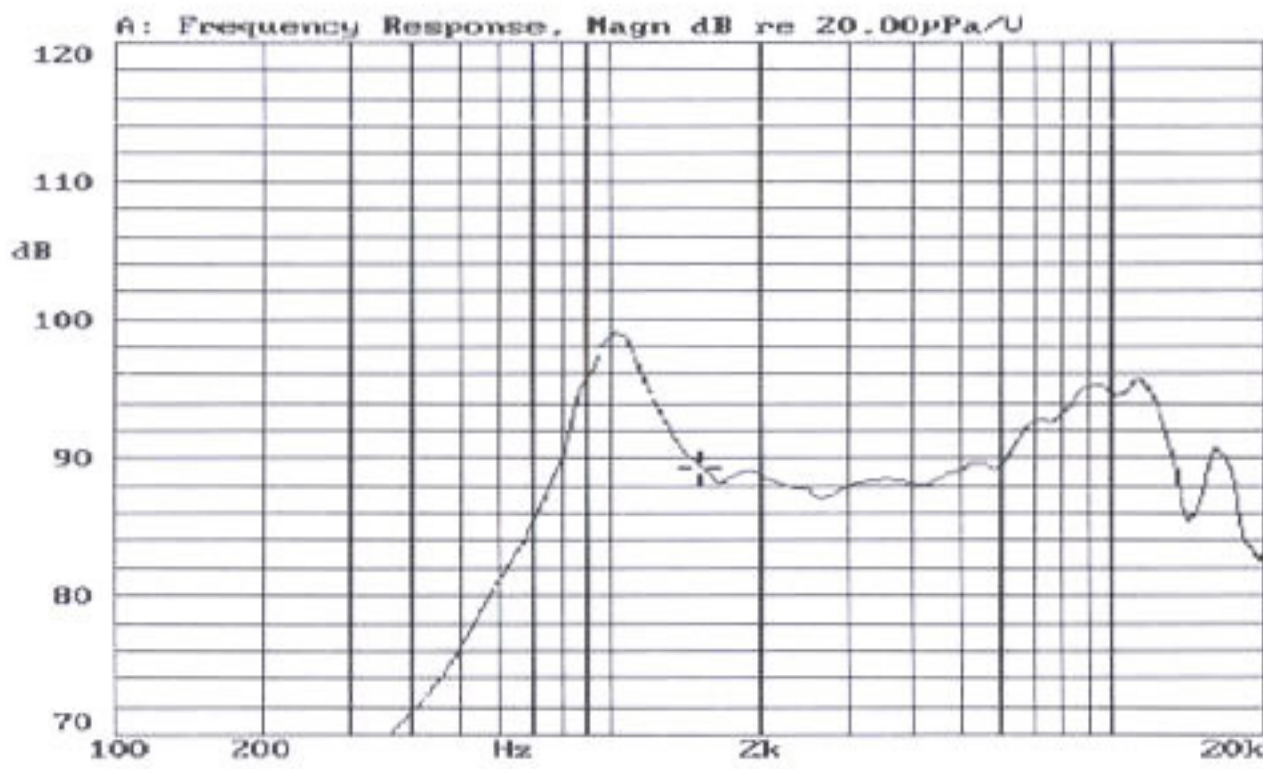
XD41A

Rated Impedance (Ω)	$8 \pm 15\%$
Rated (Max.) Power (W)	0.15(0.2)
Resonance Frequency (Hz)	$1000 \pm 20\%$
Rated Freq. Range (Hz)	700~5000
Sound Output at 10cm, 1.5kHz (dB)	≥ 87
Weight (g)	10
Operating Temperature ($^{\circ}\text{C}$)	-20 ~ +60



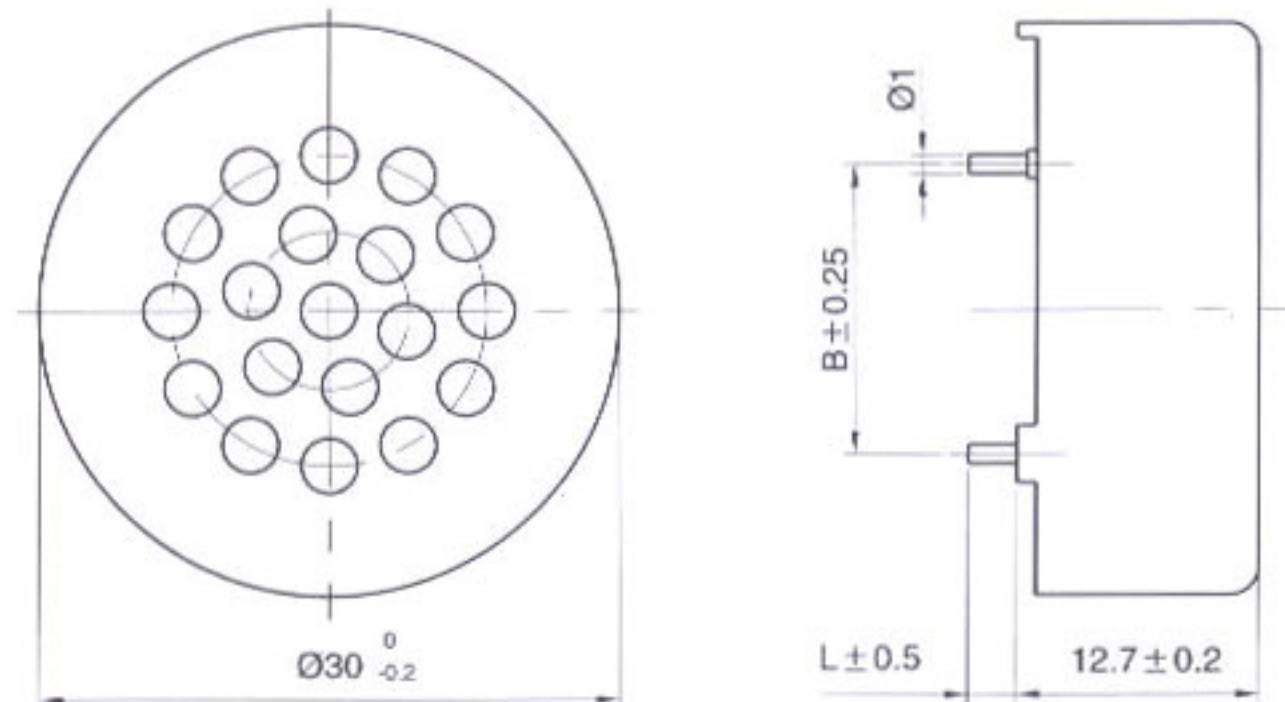
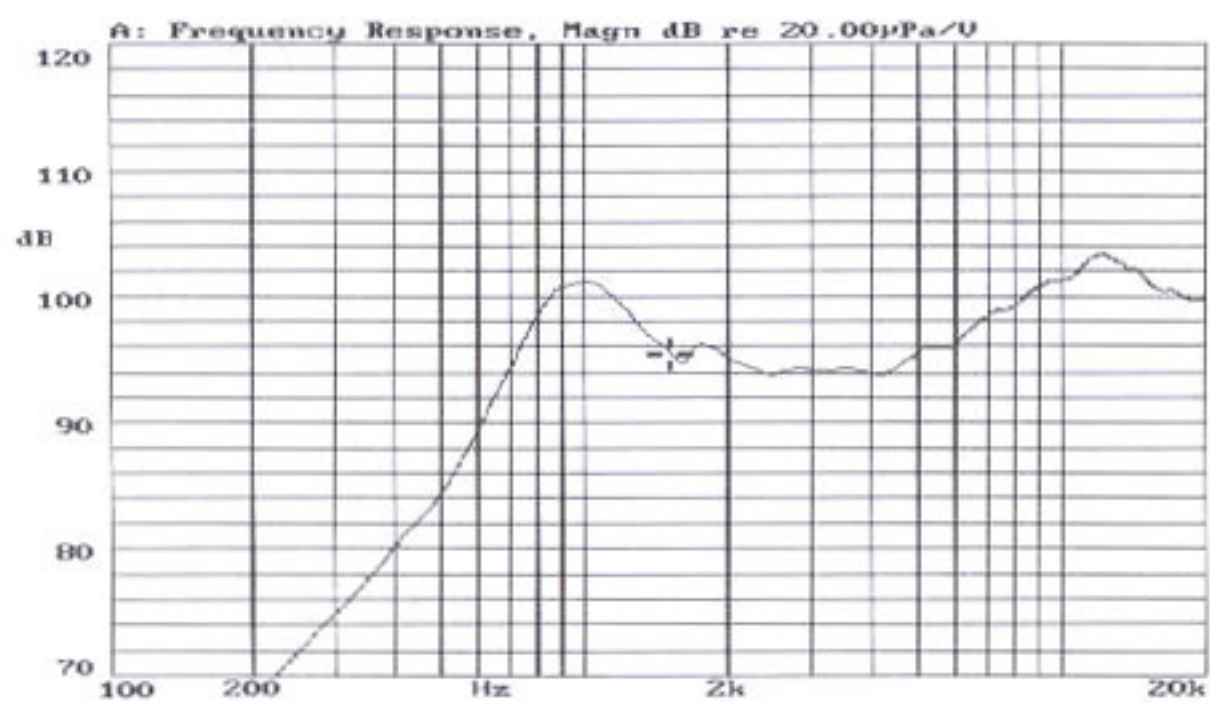
XD41Y

Rated Impedance (Ω)	$8 \pm 15\%$
Rated (Max.) Power (W)	0.15(0.2)
Resonance Frequency (Hz)	$1000 \pm 20\%$
Rated Freq. Range (Hz)	700~5000
Sound Output at 10cm, 1.5kHz (dB)	≥ 81
Weight (g)	10
Operating Temperature ($^{\circ}\text{C}$)	-20~+60



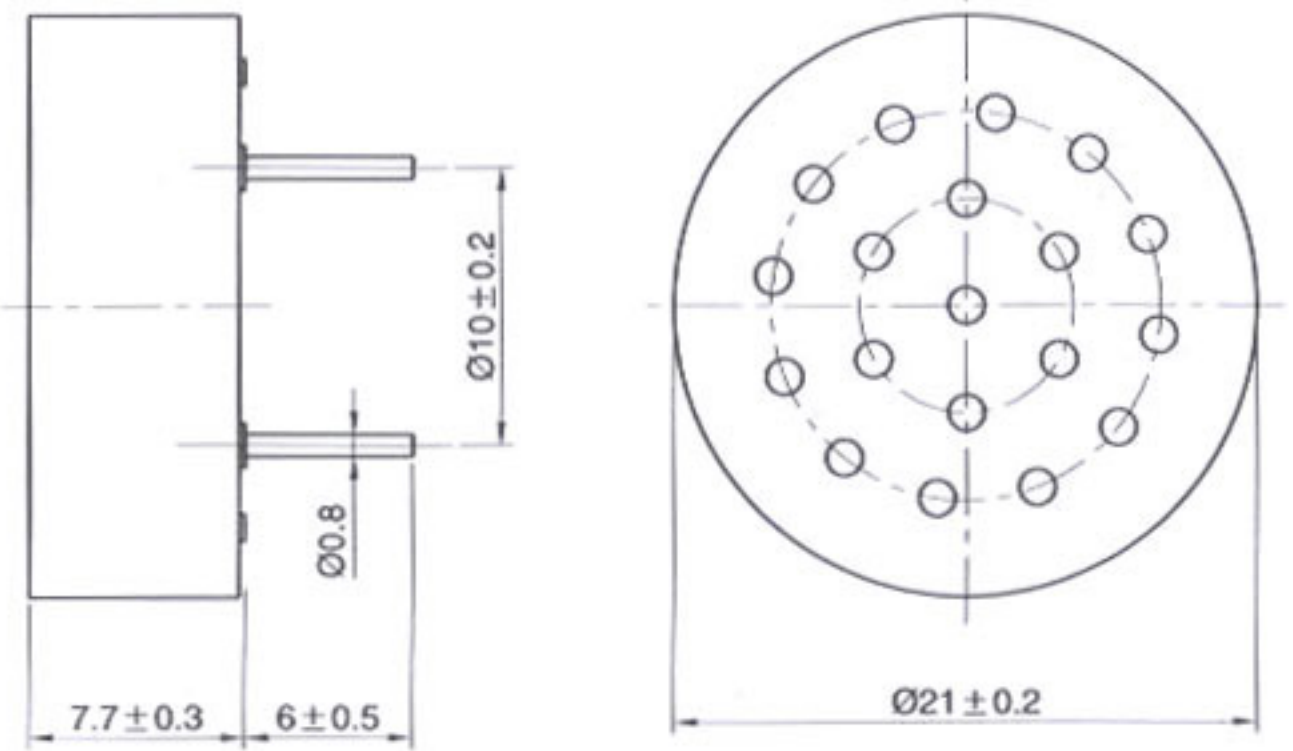
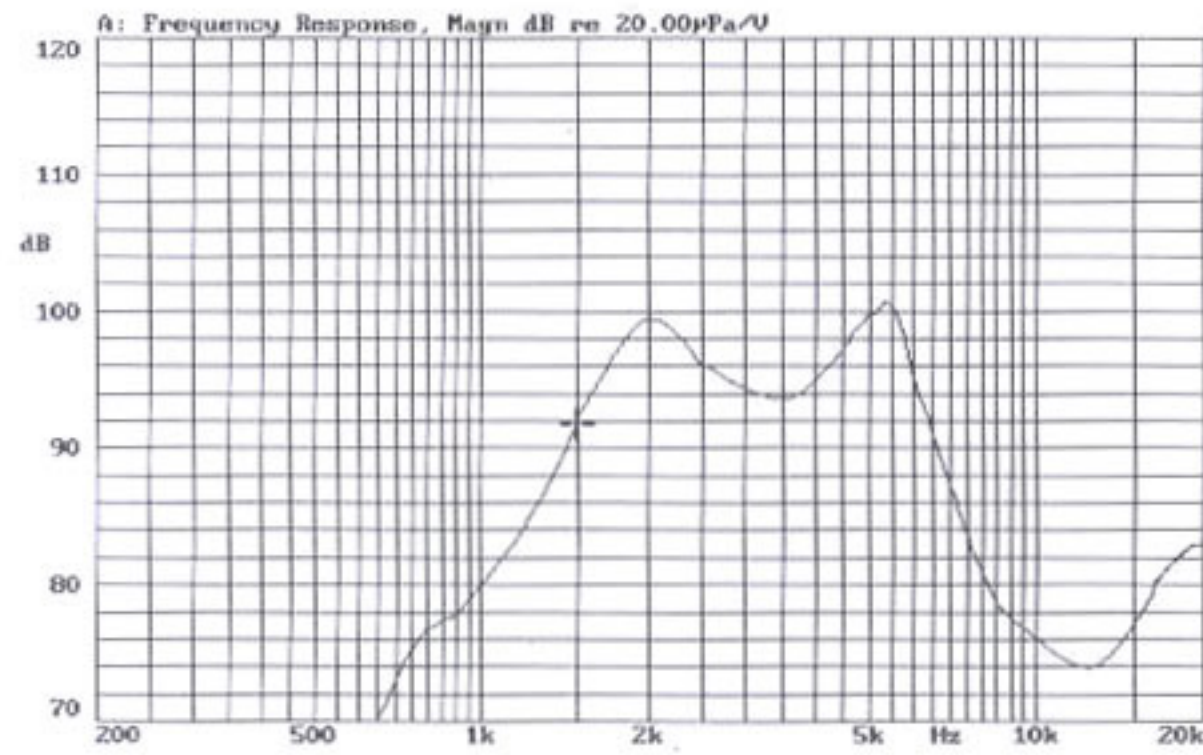
XD41AY

Rated Impedance (Ω)	$8 \pm 15\%$
Rated (Max.) Power (W)	0.15(0.2)
Resonance Frequency (Hz)	$1000 \pm 20\%$
Rated Freq. Range (Hz)	700~5000
Sound Output at 10cm, 1.5kHz (dB)	≥ 87
Weight (g)	10
Operating Temperature ($^{\circ}\text{C}$)	-20~+60



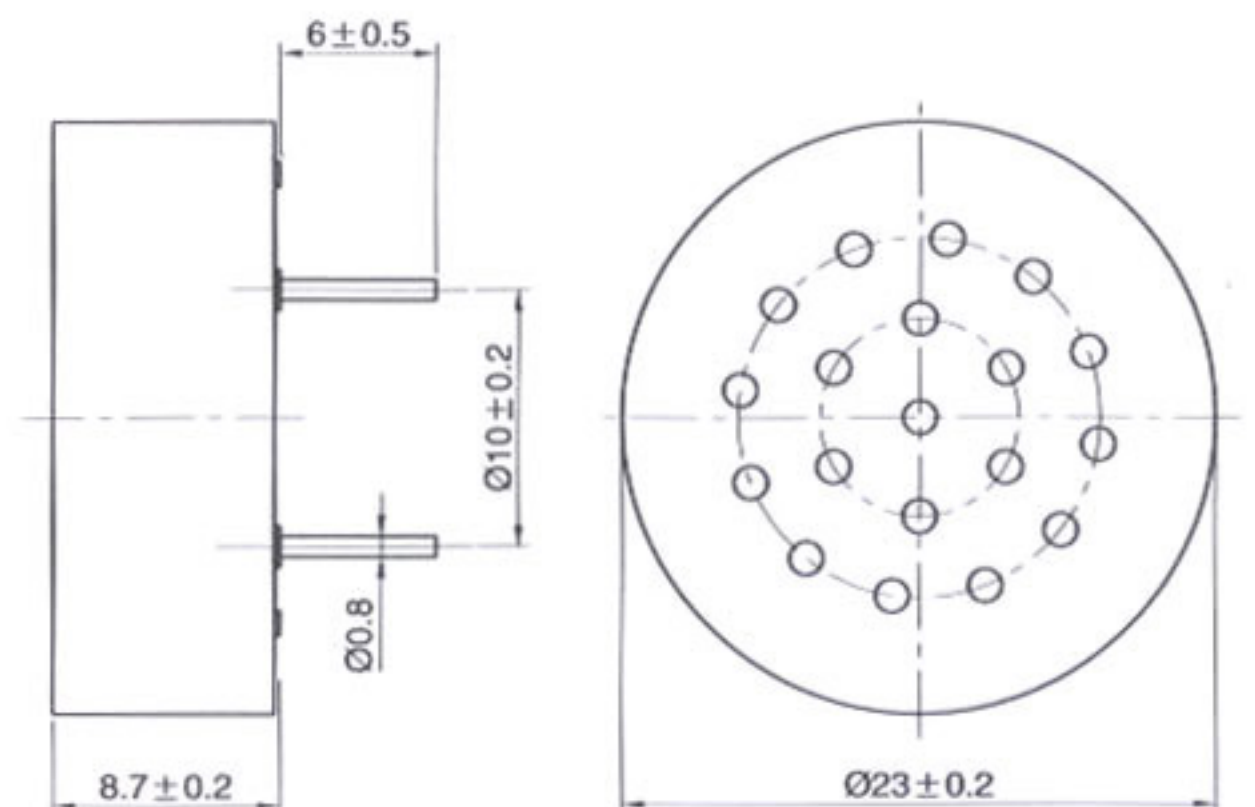
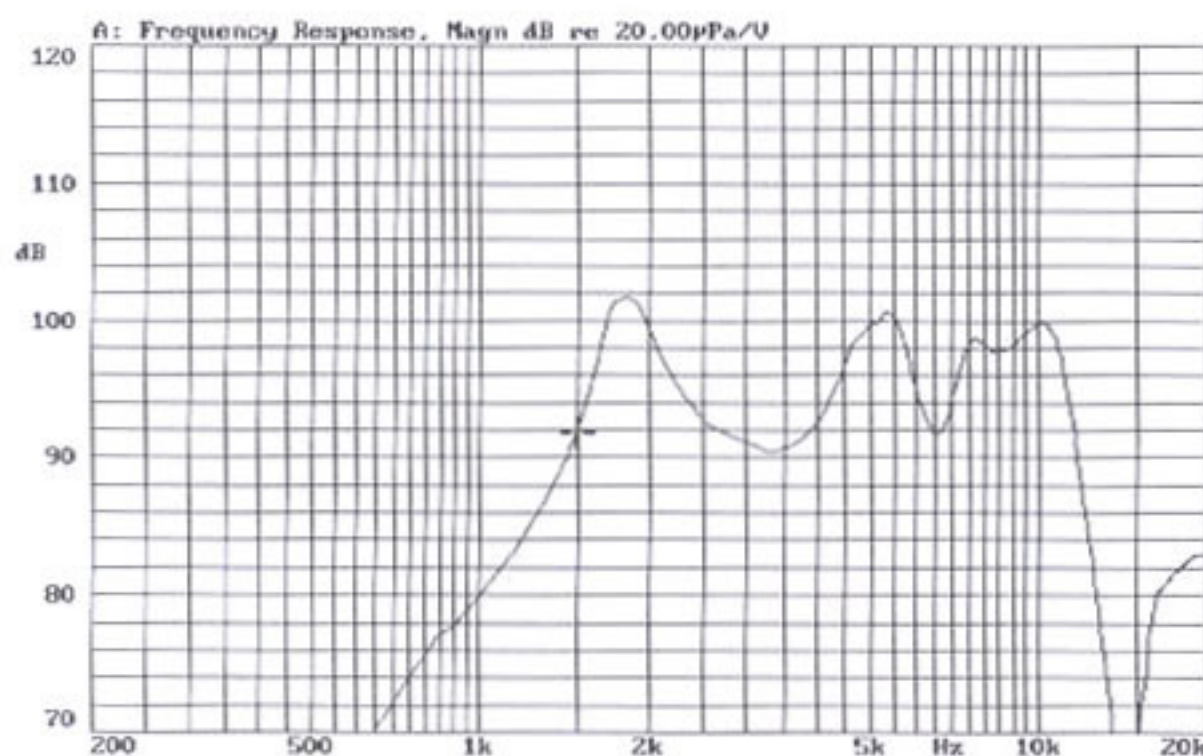
XD2108

Rated Impedance(Ω)	$8 \pm 20\%$
Rated (Max.) Power (W)	0.1(0.15)
Resonance Frequency (Hz)	$2000 \pm 15\%$
Rated Freq. Range (Hz)	1500 ~ 5000
Sound Output at 10cm, 1.5kHz (dB)	≥ 80
Weight (g)	2.5
Operating Temperature ($^{\circ}\text{C}$)	-20 ~ +60



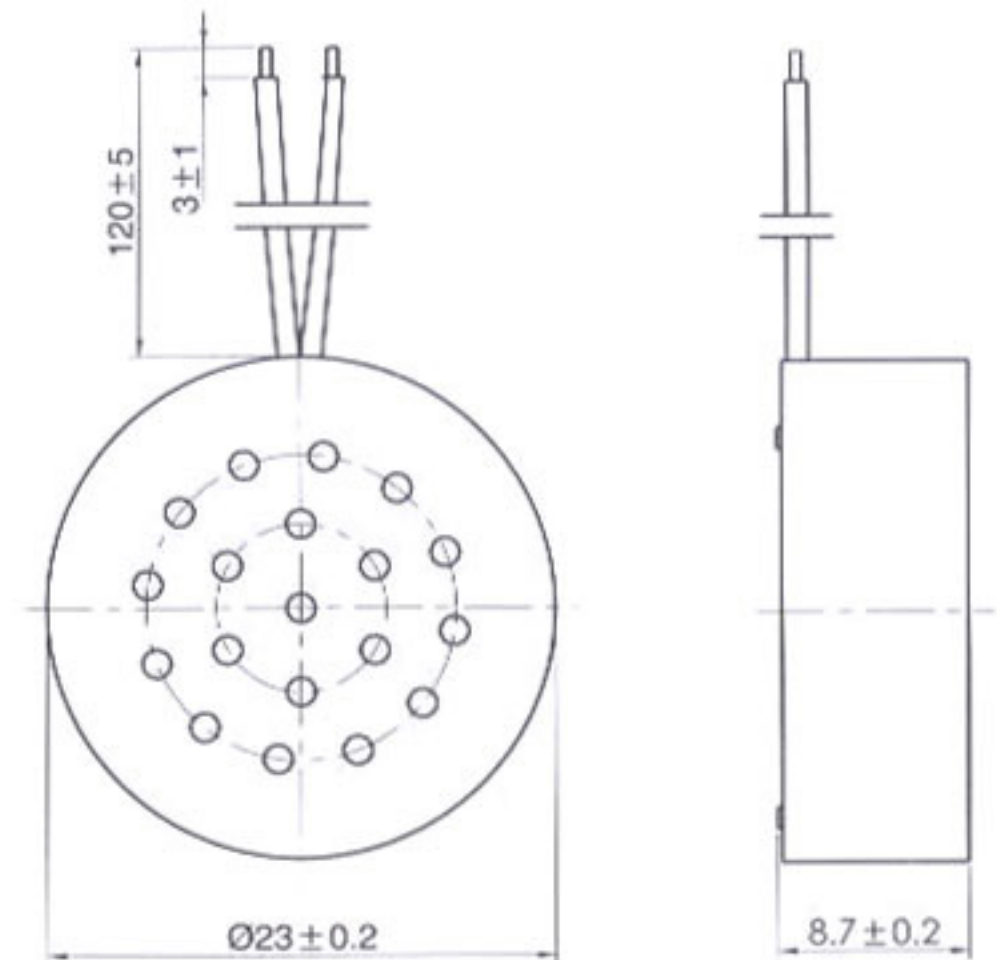
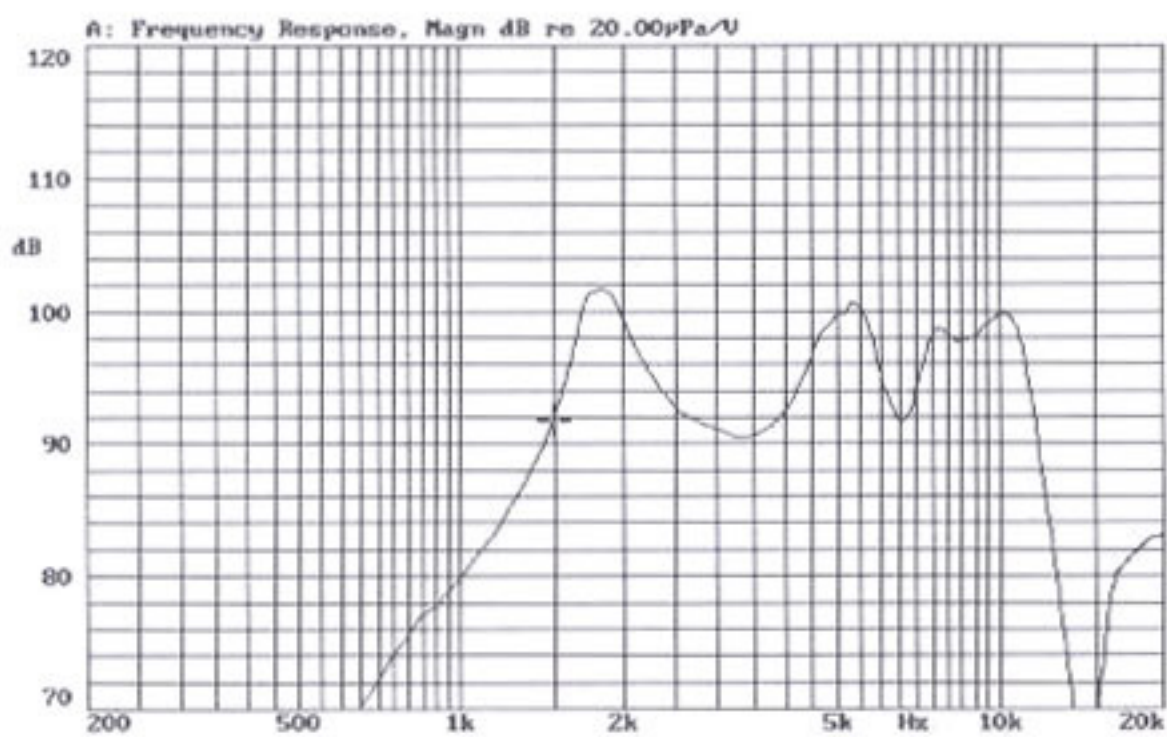
XD2308A

Rated Impedance(Ω)	$8 \pm 20\%$
Rated (Max.) Power (W)	0.08(0.15)
Resonance Frequency (Hz)	1500 ± 200
Rated Freq. Range (Hz)	500 ~ 4000
Sound Output at 10cm, 1kHz (dB)	≥ 73
Weight (g)	3
Operating Temperature ($^{\circ}\text{C}$)	-20 ~ +60



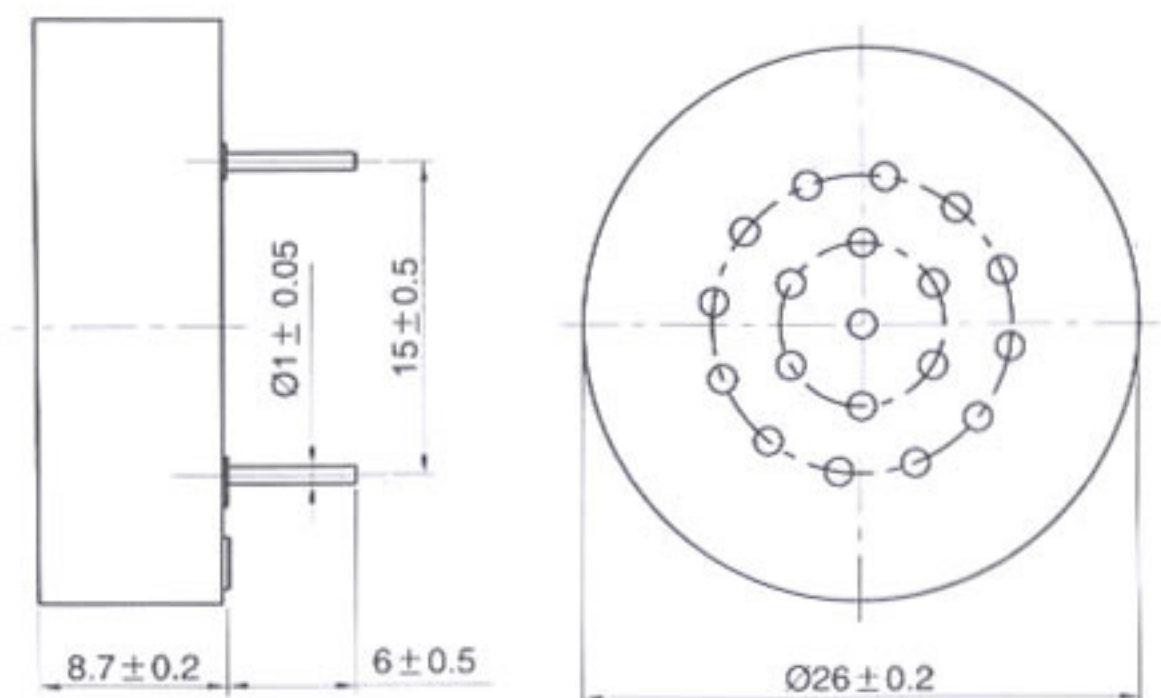
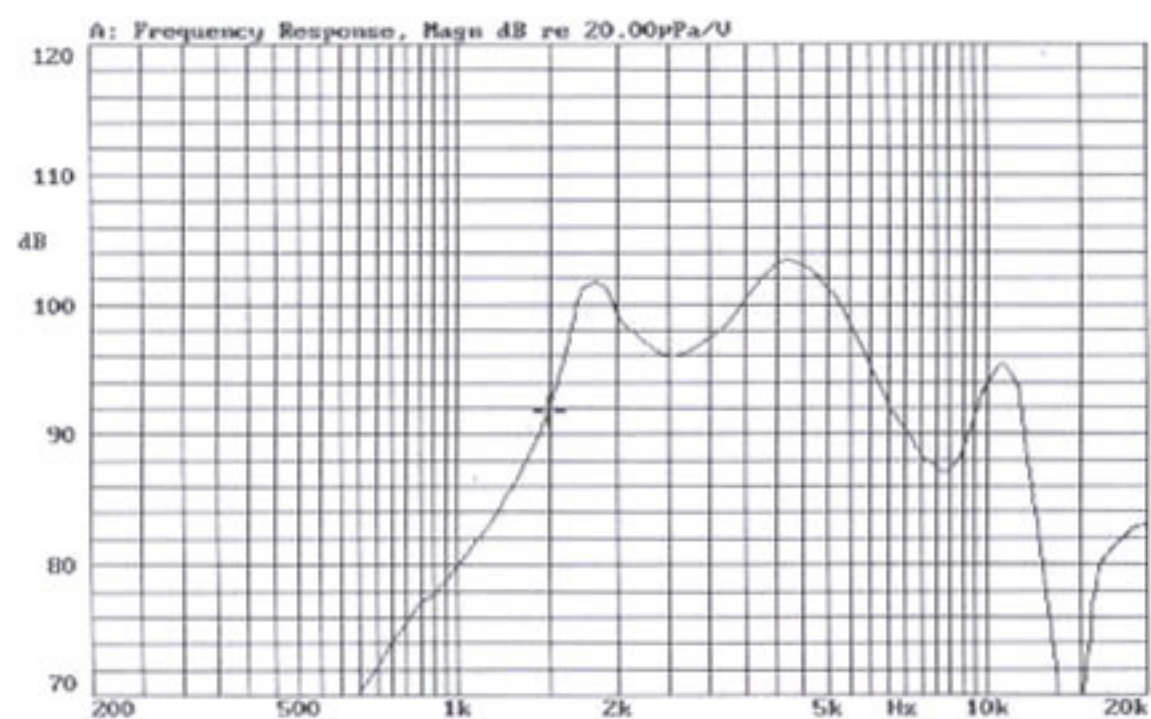
XD2330-W

Rated Impedance(Ω)	$30 \pm 20\%$
Rated (Max.) Power (W)	0.08(0.15)
Resonance Frequency (Hz)	1800 ± 300
Rated Freq. Range (Hz)	500 ~ 4000
Sound Output at 10cm, 1kHz (dB)	≥ 73
Weight (g)	4
Operating Temperature ($^{\circ}\text{C}$)	-20 ~ +60



XD2608

Rated Impedance(Ω)	$8 \pm 15\%$
Rated (Max.) Power (W)	0.1(0.2)
Resonance Frequency (Hz)	1500 ± 200
Rated Freq. Range (Hz)	800 ~ 4000
Sound Output at 10cm, 1.5kHz (dB)	≥ 85
Weight (g)	5
Operating Temperature ($^{\circ}\text{C}$)	-20 ~ +60



XD3108

Rated Impedance(Ω)	$8 \pm 20\%$
Rated (Max.) Power (W)	0.15(0.2)
Resonance Frequency (Hz)	1100 ± 150
Rated Freq. Range (Hz)	700~4000
Sound Output at 10cm, 1kHz (dB)	≥ 83
Weight (g)	11
Operating Temperature ($^{\circ}\text{C}$)	-20~+60

