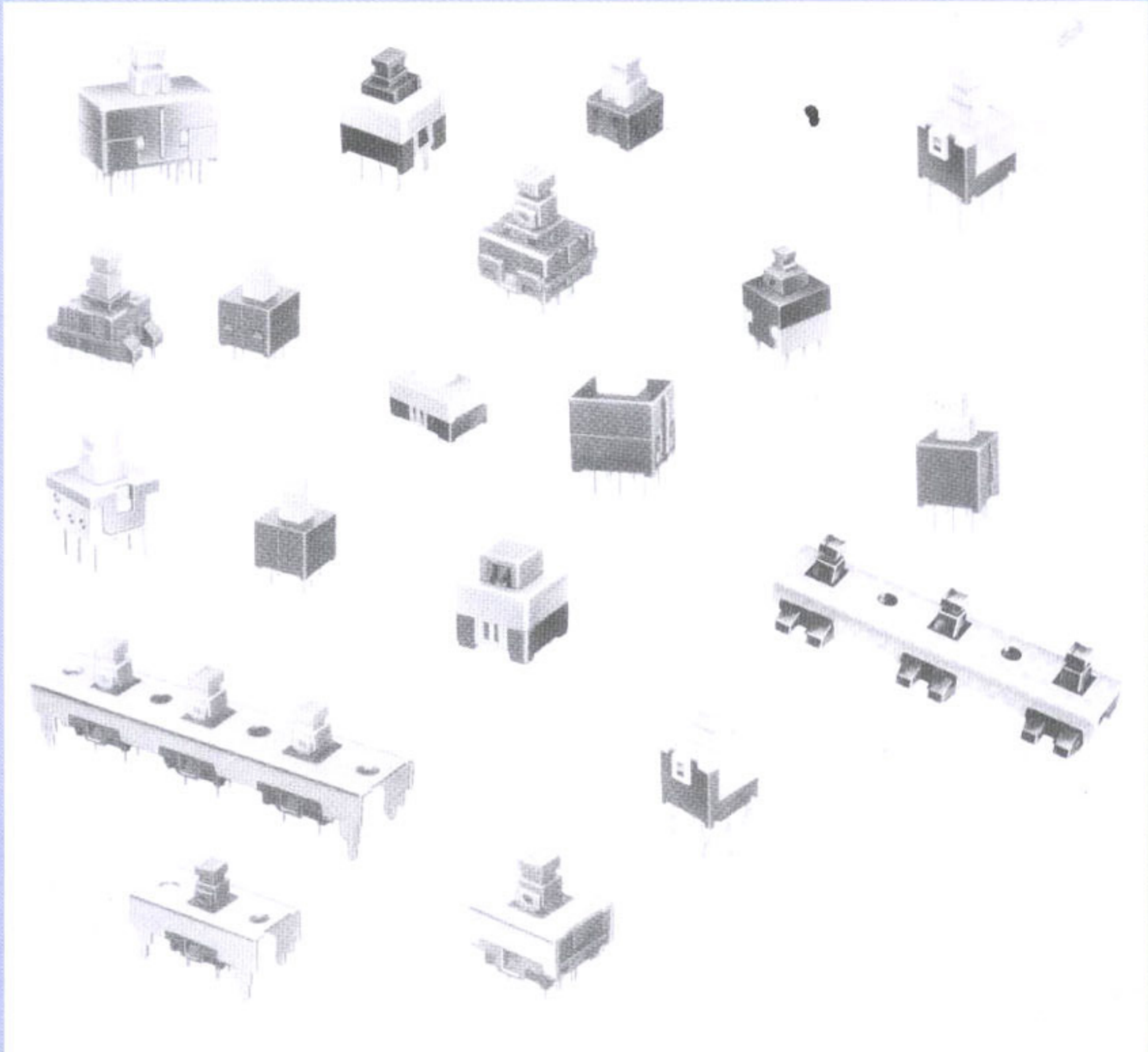


# **PUSH SWITCHES**



## *PUSH SWITCHES FIGURE*

- ◆ Vertical Miniature Type Switch
- ◆ Horizontal Miniature Type Switch
- ◆ Multi-action Type Switch
- ◆ Momentary Type Switch
- ◆ etc. Type Switch

## Common Specifications

### 1. Rating: As per Individual Specifications

### 2. Electrical Performance

Item	Test Condition	Performance
Contact Resistance	1A 5V DC	As per Individual Specifications
Insulations Resistance	500V DC for 1 minute	100M $\Omega$ Min.
Withstanding Voltage	500V AC for 1 minute	Shall be free Dielectric Breakage

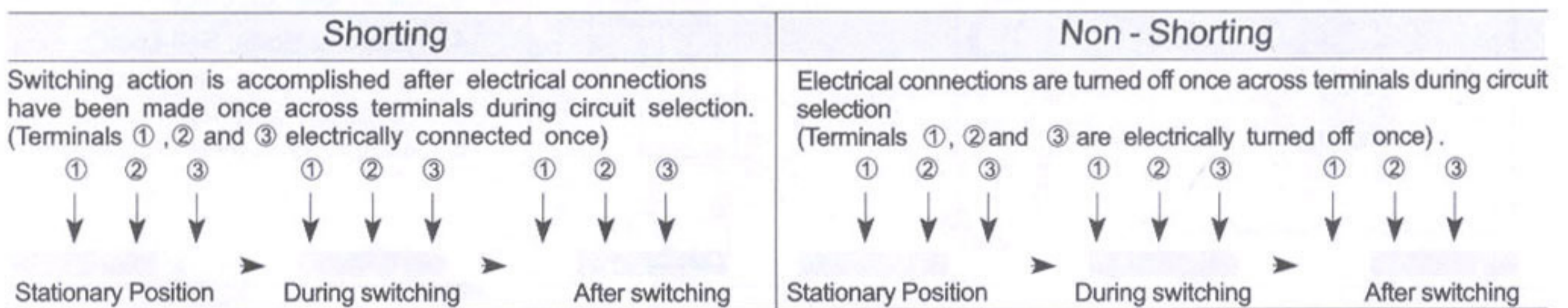
### 3. Mechanical Performance

Item	Test Condition	Performance
Operating Force		As per Individual Specifications
Terminal Strength	500gf for 1 minute	No Terminal Rejection and Insulator Breakage

### 4. Endurance

Item	Test Condition	Performance
Life Test	10,000 Cycles Operations (15~20 Cycles/Minute) Without Load	<ul style="list-style-type: none"> <li>• Contact Resistance: PS Series: 100M<math>\Omega</math> Max.</li> <li>• Operating Force:+10,-30% Initial Value</li> <li>• Insulation Resistance:10M<math>\Omega</math> Min.</li> <li>• Withstanding Voltage: 250V AC for 1 minute</li> </ul>
Cold Test	-20 $\pm$ 3 $^{\circ}$ C for 96 Hours After Test,Kept in Normal Condition for 1 Hour, to be Measured within 1 Hour.	<ul style="list-style-type: none"> <li>• Contact Resistance: 200M<math>\Omega</math> Max.</li> <li>• Operating Force:+10,-30% Initial Value</li> <li>• Insulation Resistance:10M<math>\Omega</math> Min.</li> <li>• Withstanding Voltage: 500V AC for 1 minute</li> </ul>
Dry Heat Proof	80 $\pm$ 2 $^{\circ}$ C for 96Hours After Test,Kept in Normal Condition for 1 Hour, to be Measured within 1 Hour.	

### 5.Explanation of ChangeOver Timing



### 6. Operating Mode

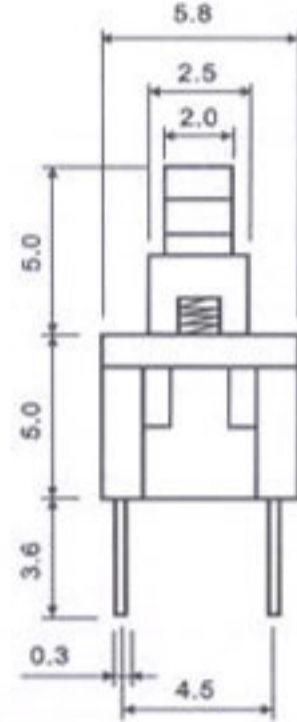
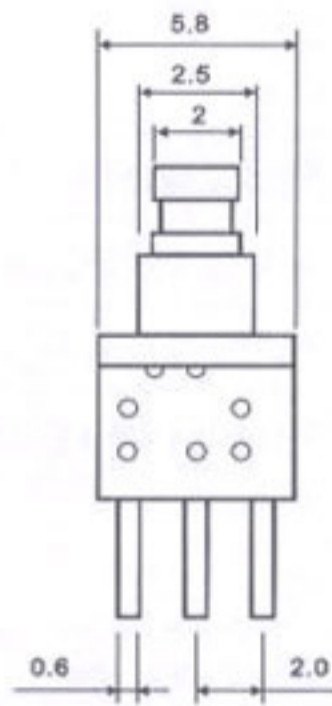
Interlock (lock release)	When a key is depressed, the other key having previously been locked is released and the depressed key is locked.
Self-lock (latching)	Operating independently from other keys. A key is locked when it is depressed, and released when depressed again.
Non-lock (momentary)	A key is held depressed while it is being pressed down, and released when the pressing force is eliminated.
Reset	Operation for releasing the key locked in the interlock mode. A key previously locked is released. When this reset key is depressed, and locked again when the Key is released, This mode is available only in the switch with 0 or 2 poles.

# PUSH SWITCHES

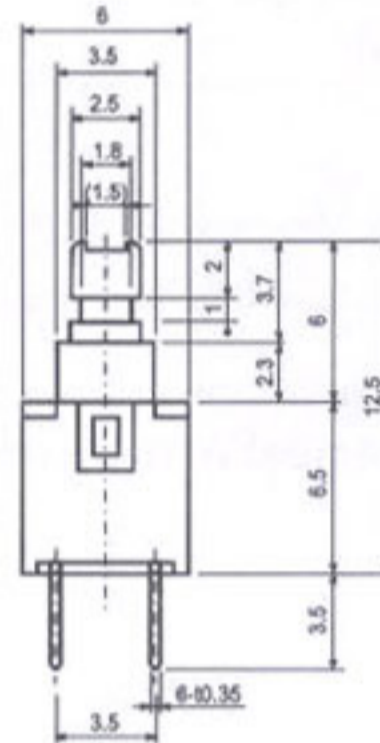
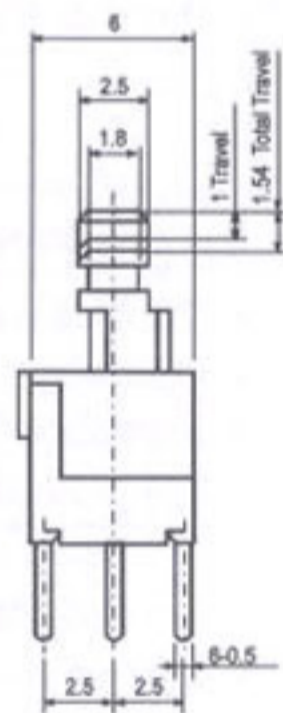
## MODEL

## DIMENSION

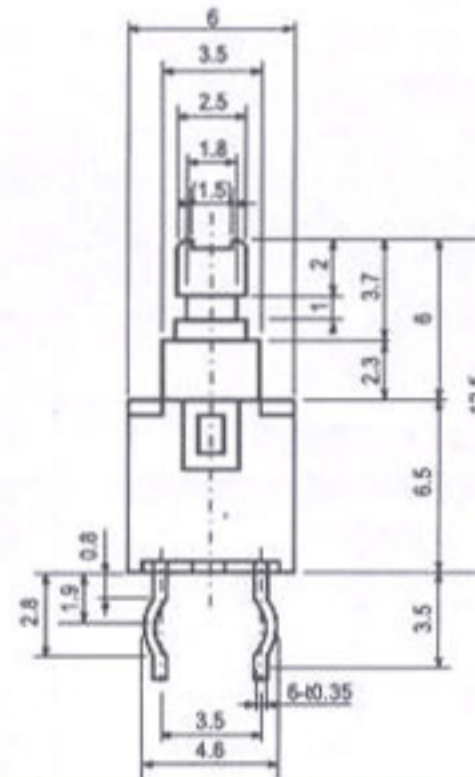
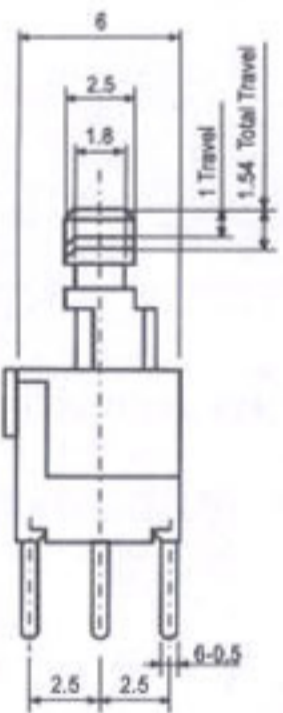
## SPECIFICATION



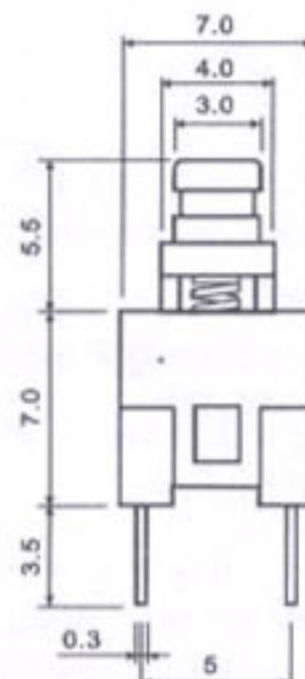
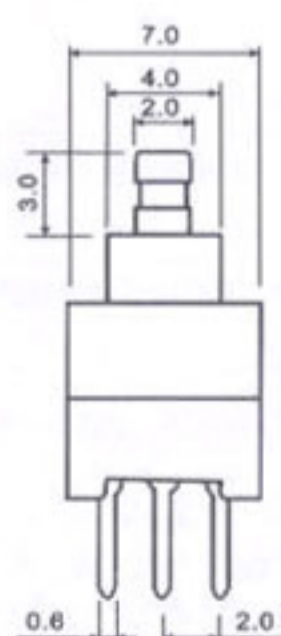
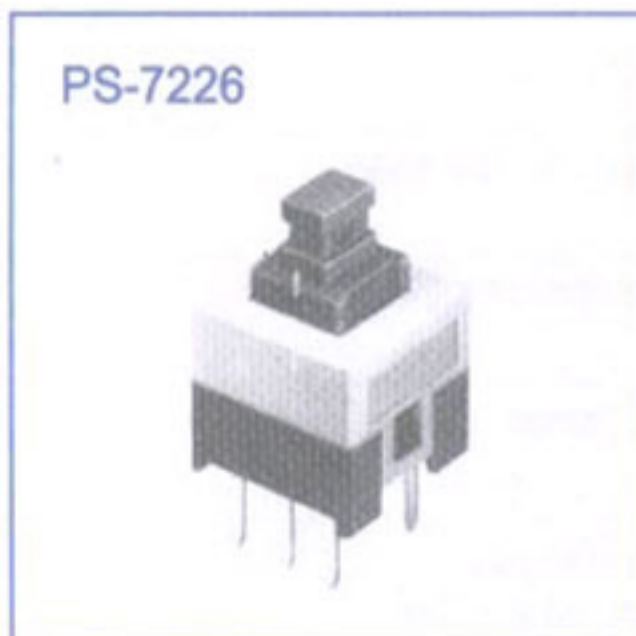
1. Rating: DC 30V 0.1A
2. Circuit: 2C-2P
3. Timing: Shorting or Non-Shorting
4. Operating Mode: Self-Lock  
Non-Lock
5. Stroke: Full 1.7mm  
Lock 1.0mm
6. Operating Force: Self-Lock 150±80gf  
Non-Lock 260±30gf



1. Rating: DC 12V 0.1A
2. Circuit: 2C-2P
3. Timing: Non-Shorting
4. Operating Mode: Self-Lock,  
Non-Lock
5. Operating Force: 200±100gf
6. Contact Resistance: 50mΩ



1. Rating: DC 12V 0.1A
2. Circuit: 2C-2P
3. Timing: Non-Shorting
4. Operating Mode: Self-Lock  
Non-Lock
5. Operating Force: 200±100gf
6. Contact Resistance: 50mΩ

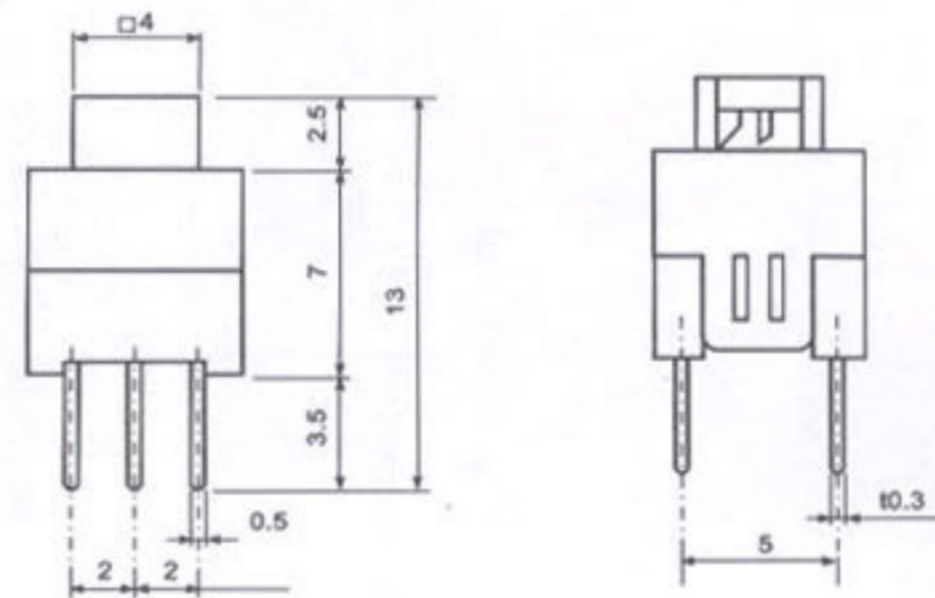


1. Rating: DC 30V 0.1A
2. Circuit: 2C-2P
3. Timing: Shorting or Non-Shorting
4. Operating Mode: Self-Lock  
Non-Lock
5. Stroke: Full 1.8mm  
Lock 1.0mm
6. Operating Force: 140±50gf

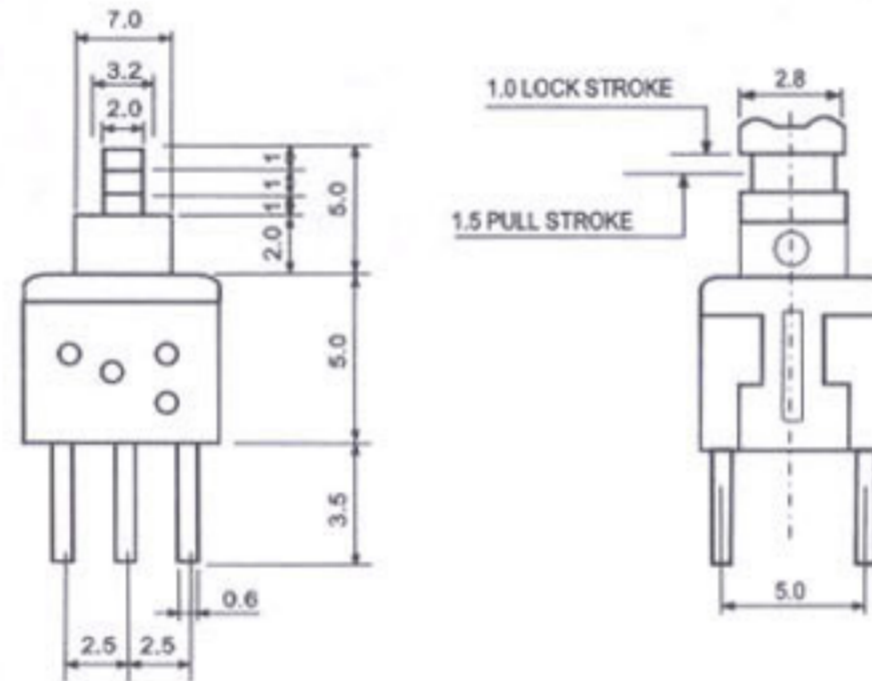
MODEL

DIMENSION

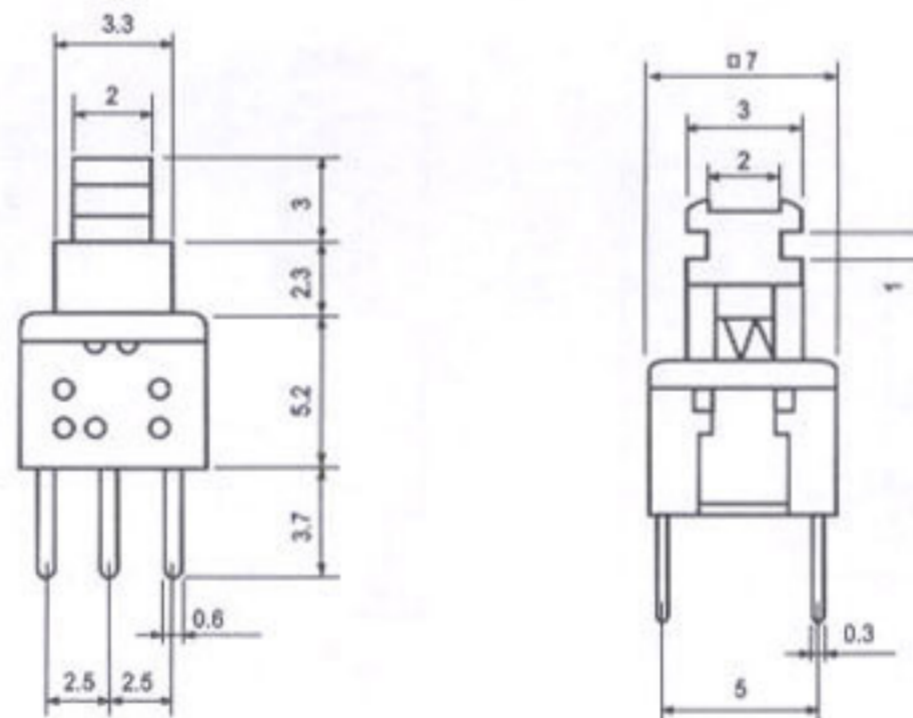
SPECIFICATION



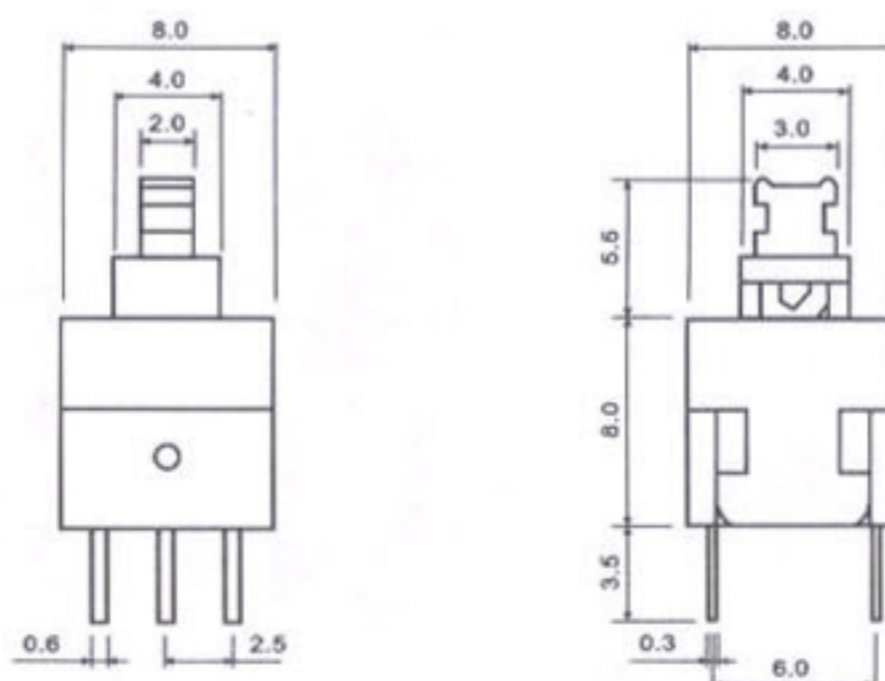
1. Rating: DC 30V 0.1A
2. Circuit: 2C-2P
3. Timing: Shorting or Non-Shorting
4. Operating Mode: Self-Lock  
Non-Lock
5. Stroke: Full 1.8mm  
Lock 1.0mm
6. Operating Force: 200±80gf



1. Rating: DC 12V 0.1A
2. Operating Mode: Non-Lock
3. Operating Force: 200±100gf
4. Circuit: 2C-2P
5. Timing: Non-Shorting
6. General Tolerance: ±0.3



1. Rating: DC 30V 0.1A
2. Circuit: 2C-2P
3. Timing: Non-Shorting
4. Operating Mode: Self-Lock  
Non-Lock
5. Stroke: Full 2.0mm  
Lock 1.8mm
6. Operating Force: 200±80gf



1. Rating: DC 30V 0.1A
2. Circuit: 2C-2P
3. Timing: Non-Shorting
4. Operating Mode: Self-Lock, Non-Lock  
Non-Lock With Click
5. Stroke: Full 2.5mm  
Lock 1.5mm
6. Operating Force: 180±50gf

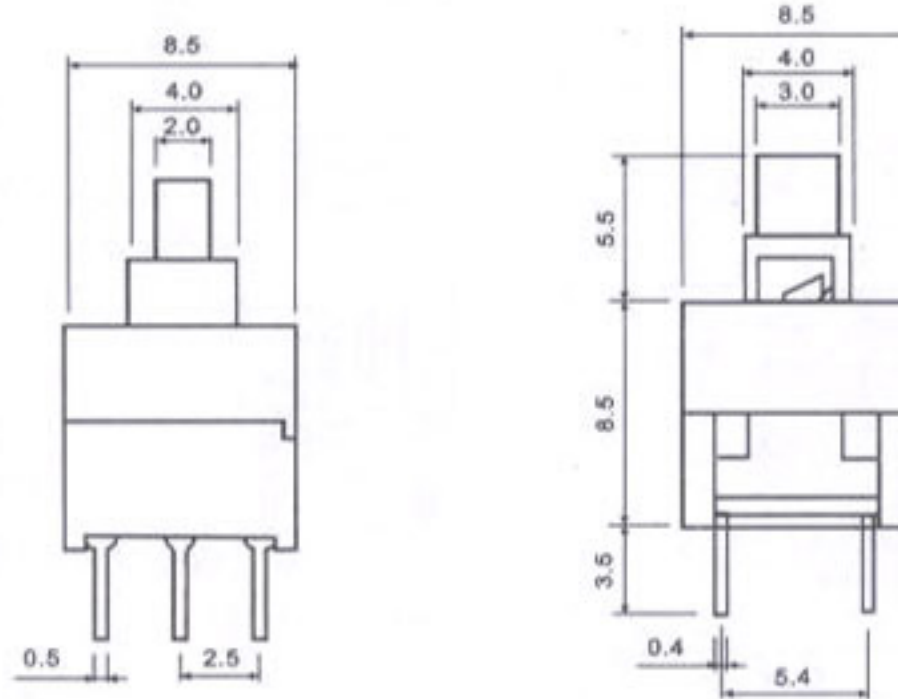
# PUSH SWITCHES

## MODEL

## DIMENSION

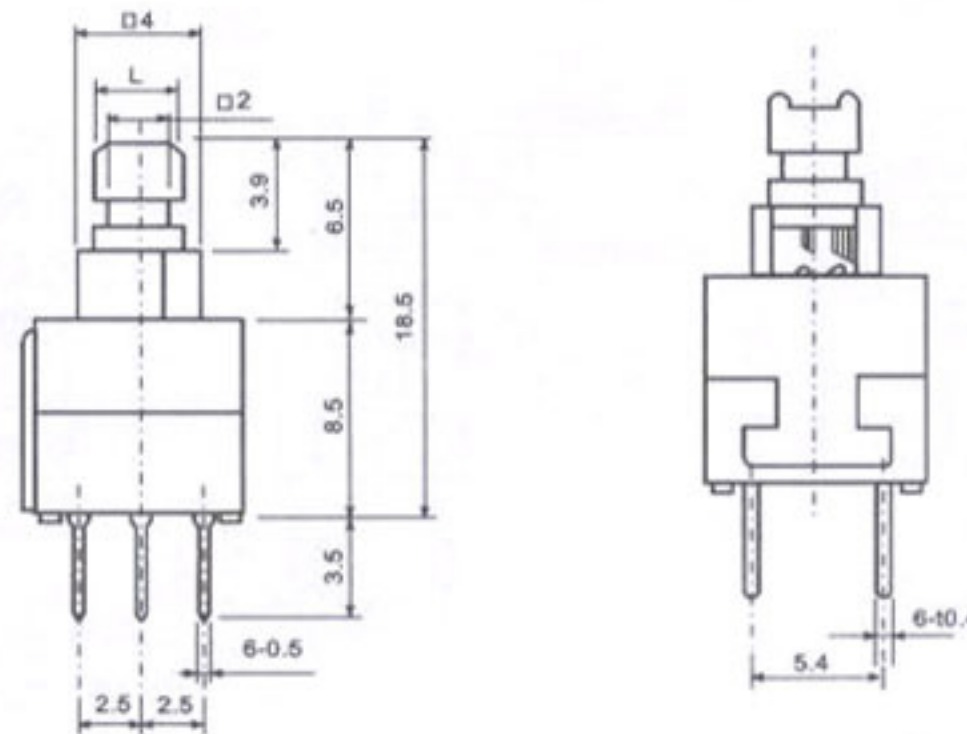
## SPECIFICATION

PS-9226



1. Rating: DC 30V 0.1A
2. Circuit: 2C-2P
3. Timing: Shorting or Non-Shorting
4. Operating Mode: Self-Lock, Non-Lock  
Non-Lock With Click
5. Stroke: Full 2.5mm  
Lock 1.5mm
6. Operating Force: 180<sup>±50gf</sup>

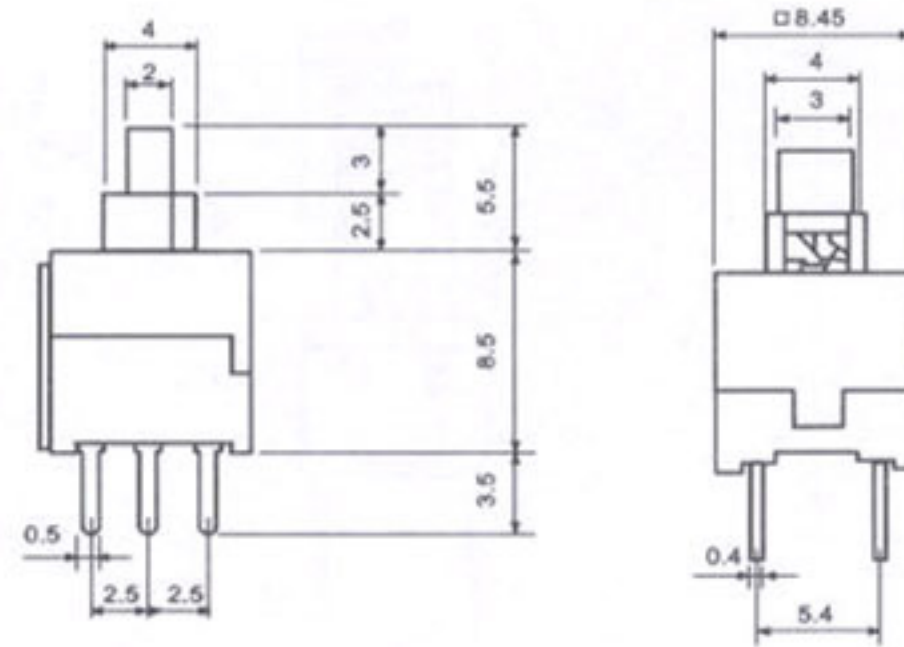
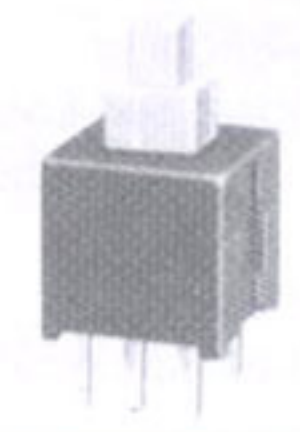
PS-9226A/B



1. Rating: DC 30V 0.1A
2. Circuit: 2C-2P
3. Timing: Shorting or Non-Shorting
4. Operating Mode: Self-Lock, Non-Lock  
Non-Lock With Click
5. Stroke: Full 2.5mm  
Lock 1.5mm
6. Operating Force: 200<sup>±80gf</sup>, 300<sup>±80gf</sup>

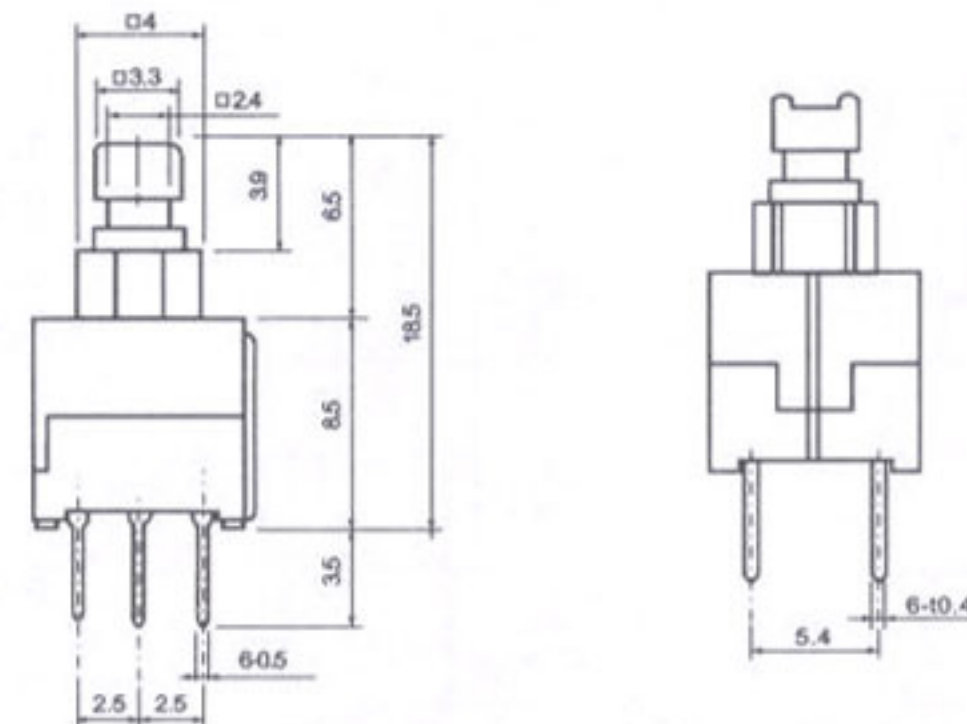
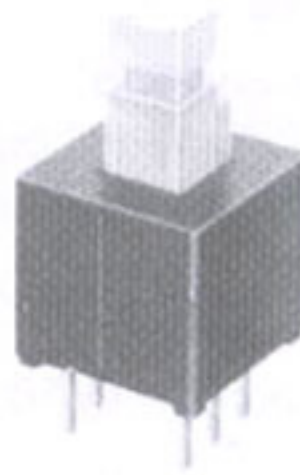
Model No.	L(mm)
PS-9226A	3.3
PS-9226B	2.8

PS-9226R



1. Rating: DC 30V 0.1A
2. Circuit: 2C-2P
3. Timing: Shorting or Non-Shorting
4. Operating Mode: Self-Lock, Non-Lock  
Non-Lock With Click
5. Stroke: Full 2.5mm  
Lock 1.5mm
6. Operating Force: 200<sup>±80gf</sup>, 300<sup>±80gf</sup>

PS-9226RA

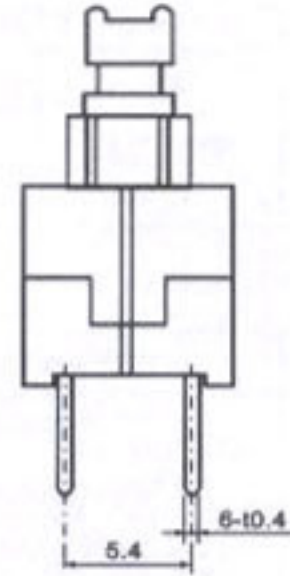
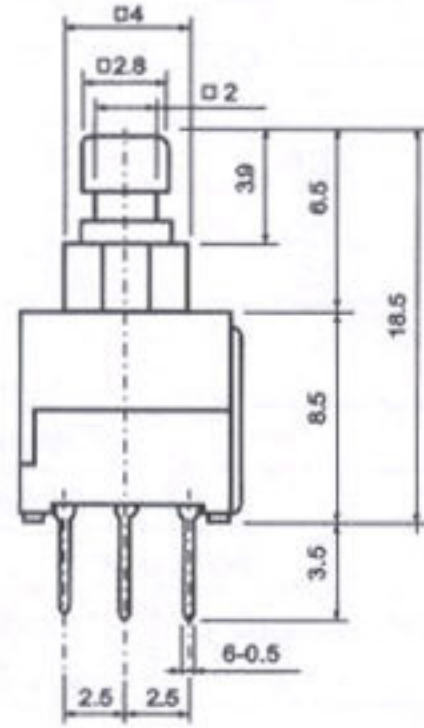


1. Rating: DC 30V 0.1A
2. Circuit: 2C-2P
3. Timing: Shorting or Non-Shorting
4. Operating Mode: Self-Lock, Non-Lock  
Non-Lock With Click
5. Stroke: Full 2.5mm  
Lock 1.5mm
6. Operating Force: 200<sup>±80gf</sup>, 300<sup>±80gf</sup>

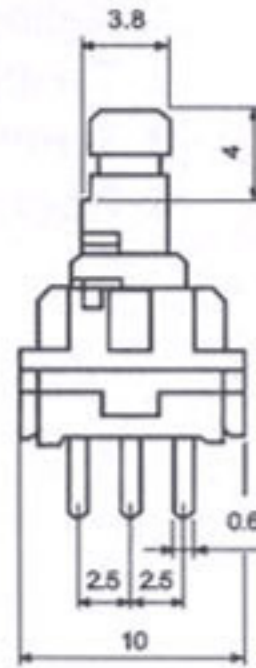
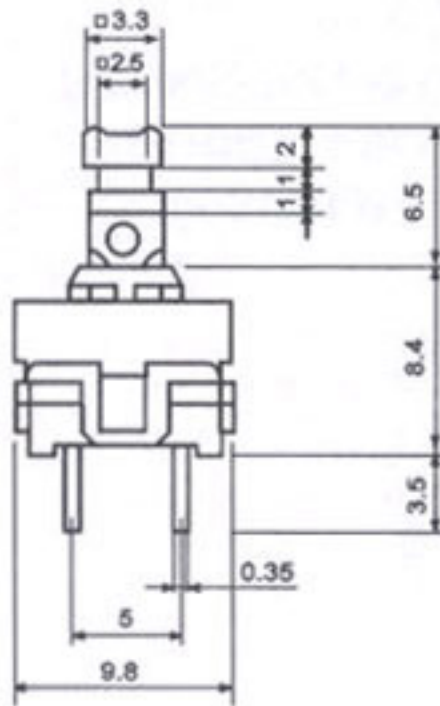
MODEL

DIMENSION

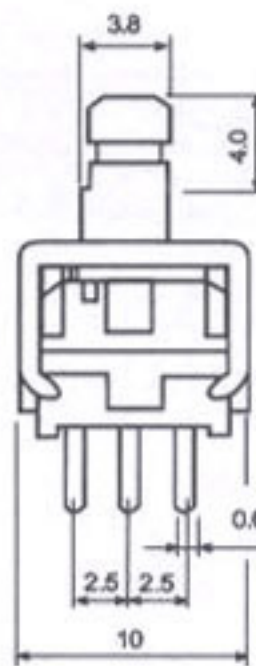
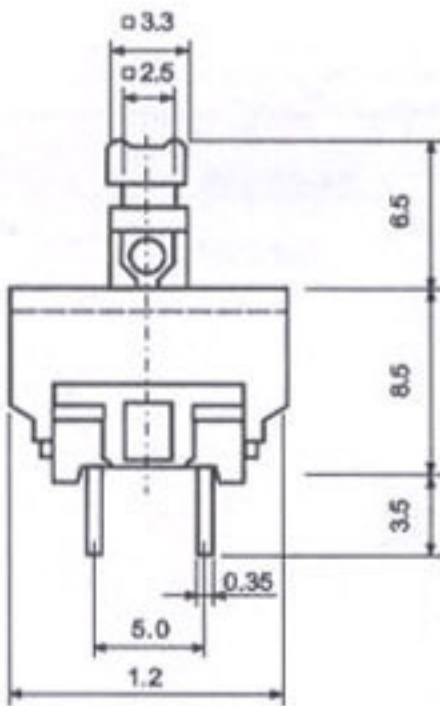
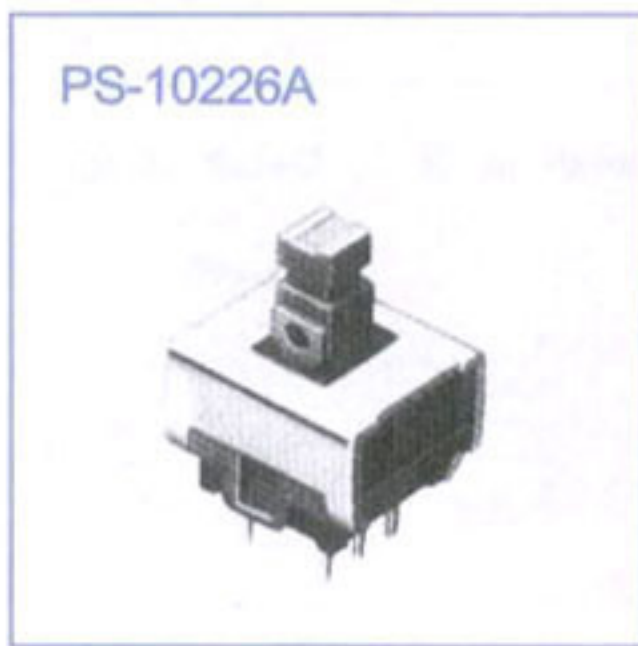
SPECIFICATION



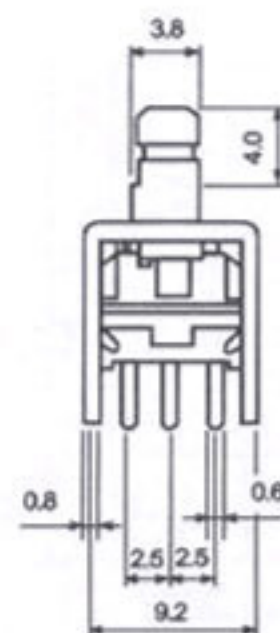
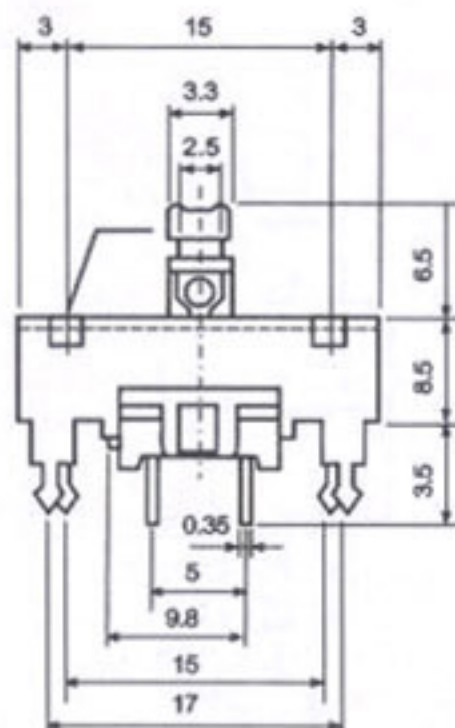
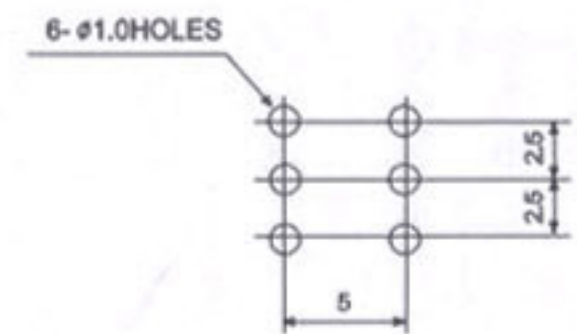
1. Rating: DC 30V 0.1A
2. Circuit: 2C-2P
3. Timing: Shorting or Non-Shorting
4. Operating Mode: Self-Lock, Non-Lock  
Non-Lock With Click
5. Stroke: Full 2.5mm  
Lock 1.5mm
6. Operating Force: 200<sup>+80gf</sup>, 300<sup>+80gf</sup>



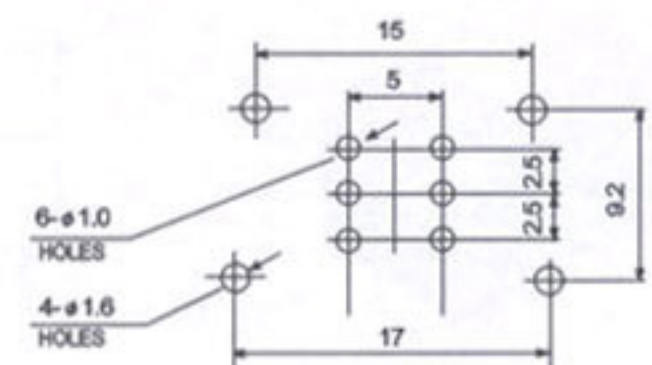
1. Rating: DC 30V 0.1A
2. Circuit: 2C-2P
3. Timing: Shorting or Non-Shorting
4. Operating Mode: Self-Lock  
Non-Lock
5. Stroke: Full 1.8mm  
Lock 1.2mm
6. Operating Force: 200±80gf



P.C.B Mounting Dimensions



P.C.B Mounting Hole Dimensions



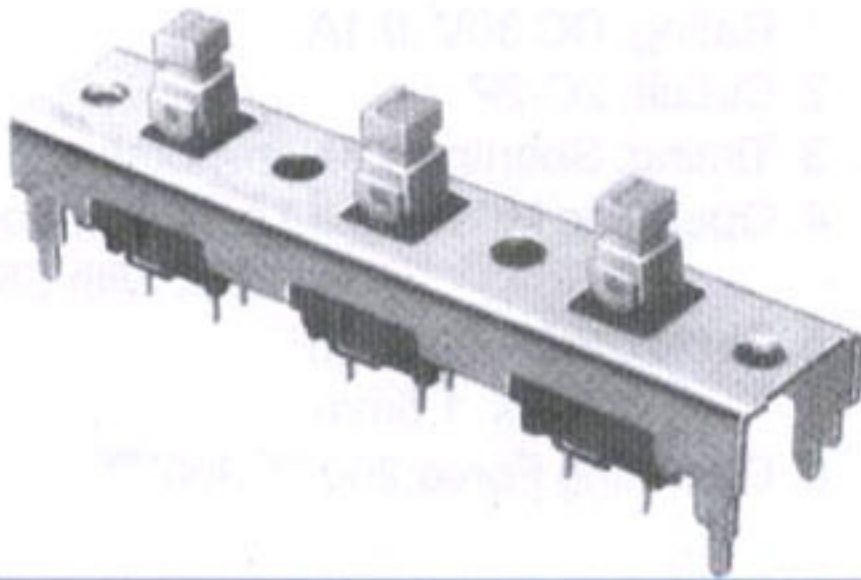
# PUSH SWITCHES

## MODEL

## DIMENSION

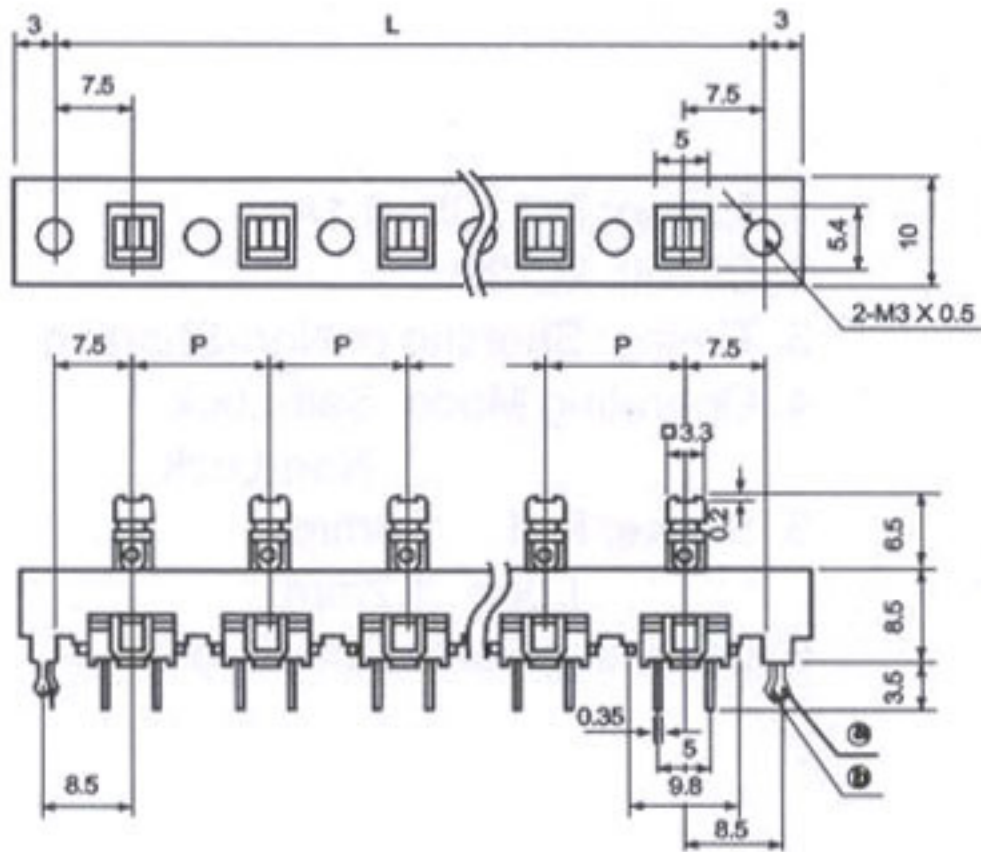
## SPECIFICATION

PS-10226M



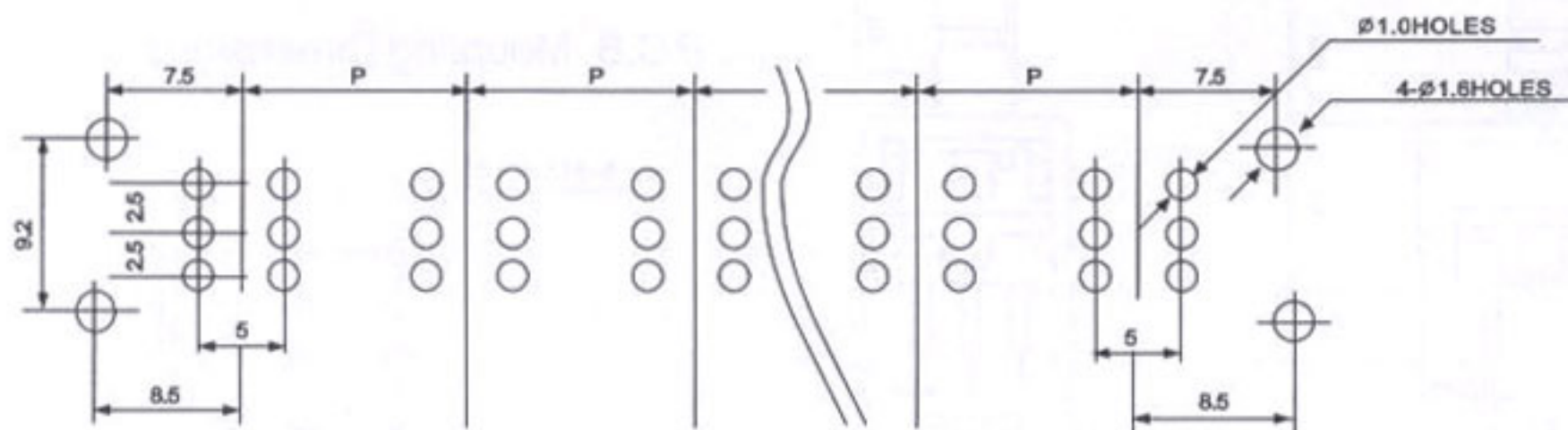
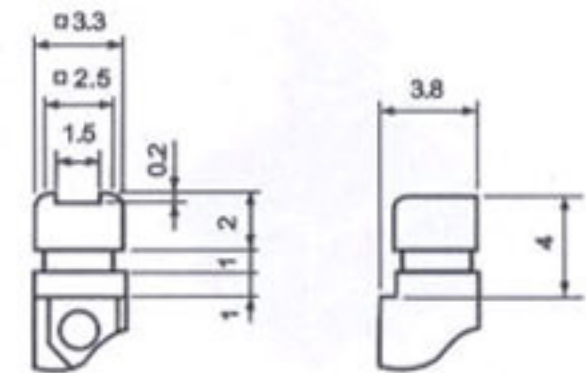
		L				
No. of keys		2	3	4	5	6
P (PITCH)	12.5	27.5	40	52.5	65	77.5
	15	30	45	60	75	90
	20	35	55	75	95	115

Terminal Style	Printed Circuit Board Terminal			
Stroke	Lock Stroke: 1.2mm Full Stroke: 1.7mm			
Operation Mode	Self Lock		Non Lock, Inter-Lock, Reset	
Change Over Timing	Non-Shorting	Shorting	Non-Shorting	Shorting
Color of Lever	Blue	Light Blue	White	Ivory



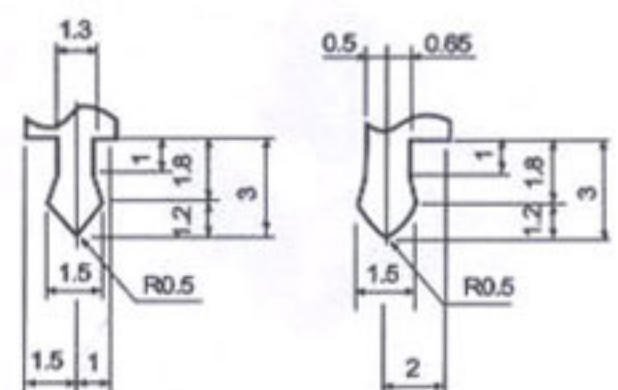
1. Rating: DC 30V, 0.1A
2. Timing: Shorting or Non-Shorting
3. Terminal: P.C. Board Terminal
4. Operating Force: 200±100gf

### Detail of Lever

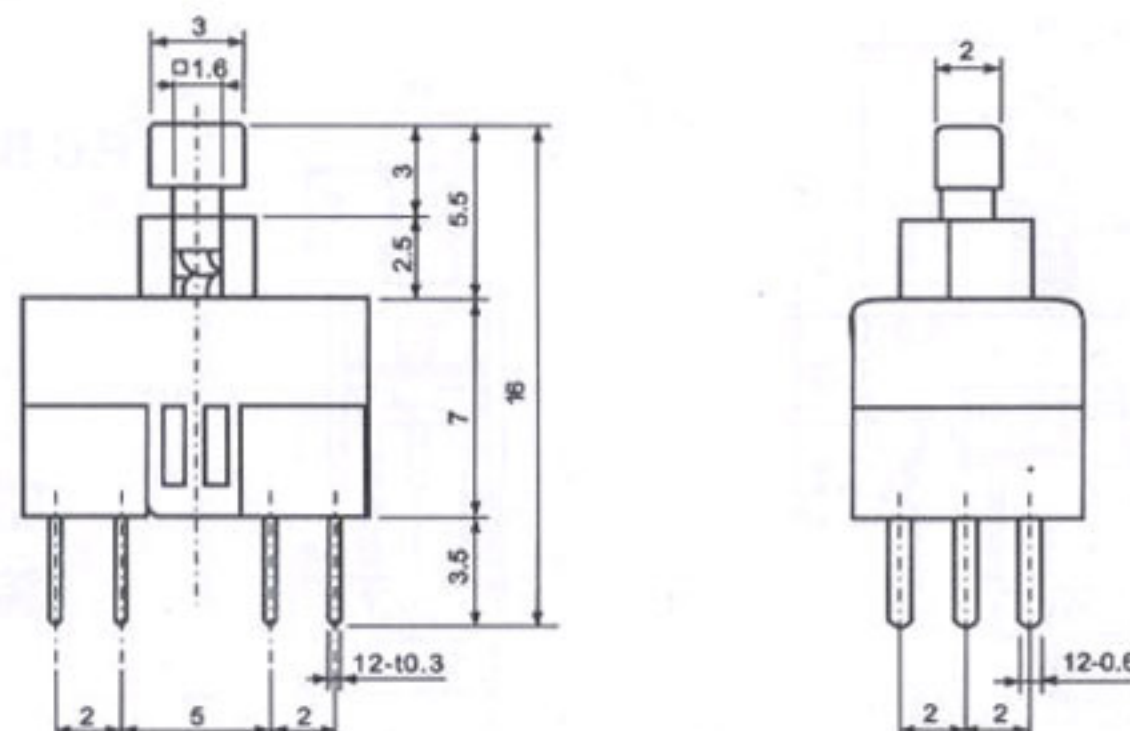


### Detail of (a)

### Detail of (b)



PS-13422

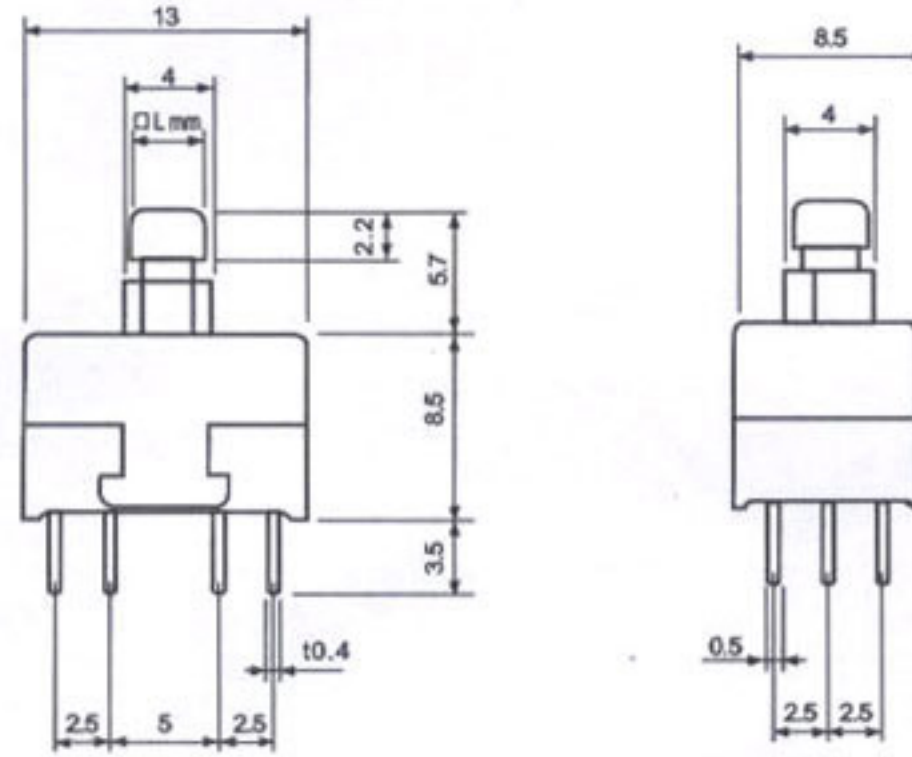


1. Rating: DC 30V 0.1A
2. Circuit: 4C-2P
3. Timing: Shorting or Non-Shorting
4. Operating Mode: Self-Lock  
Non-Lock
5. Stroke: Full 1.8mm  
Lock 1.1mm
6. Operating Force: 200±80gf

## MODEL

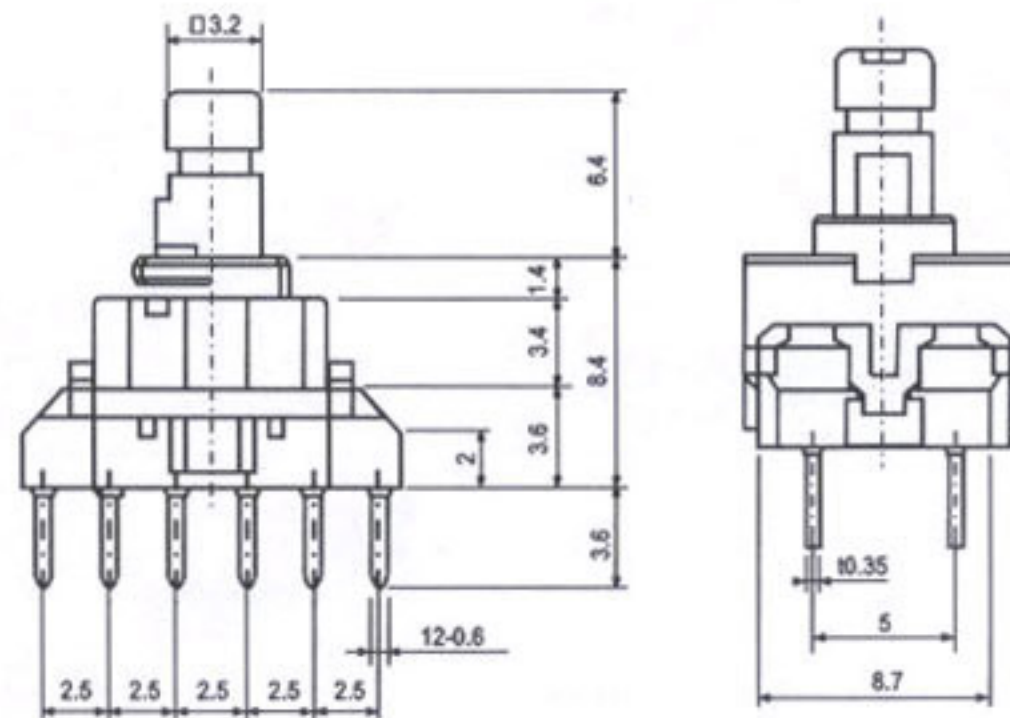
## DIMENSION

## SPECIFICATION

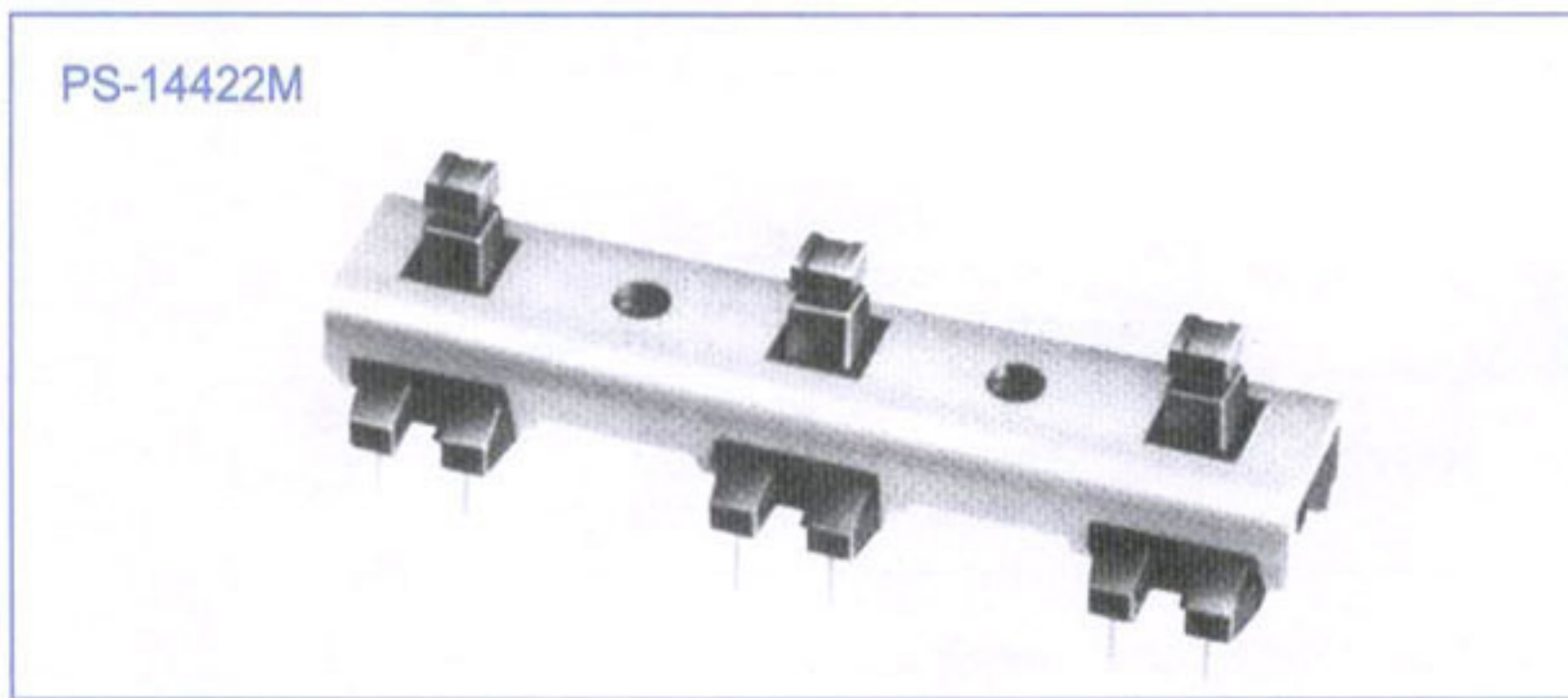


1. Rating: DC 30V 0.1A
2. Circuit: 4C-2P
3. Timing: Shorting or Non-Shorting
4. Operating Mode: Self-Lock  
Non-Lock
5. Stroke: Full 2.5mm  
Lock 1.5mm
6. Operating Force:  $200^{+80} + 300^{+80}$ gf

Model No.	L(mm)
PS-13422R	3.3x3.3
PS-13422RA	2.8x2.8



1. Rating: DC 30V 0.1A
2. Circuit: 4C-2P
3. Timing: Non-Shorting
4. Operating Mode: Self-Lock, Non-Lock  
Non-Lock, Reset
5. Stroke: Full 1.7mm  
Lock 1.2mm
6. Operating Force:  $250 \pm 100$ gf
7. Terminal: P.C Board Terminal



1. Rating: DC 30V 0.1A
2. Timing: Non-Shorting
3. Stroke: Full 1.7mm  
Lock 1.2mm
4. Operating Force:  $250 \pm 100$ gf

		L					
		Keys	2	3	4	5	6
Pitch	15.0		27.0	42.0	57.0	72.0	87.0
	20.0		·	52.0	72.0	·	

